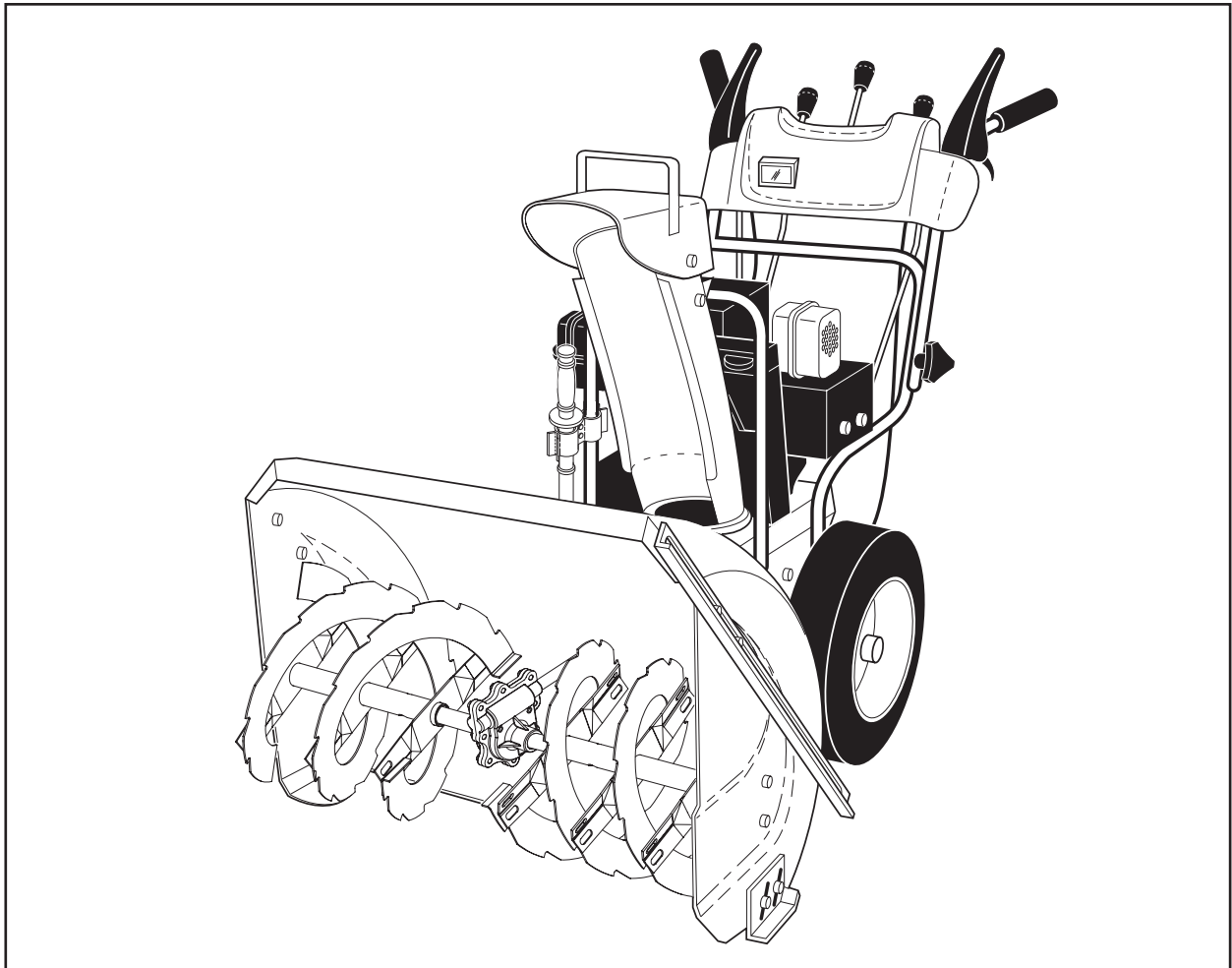


Husqvarna



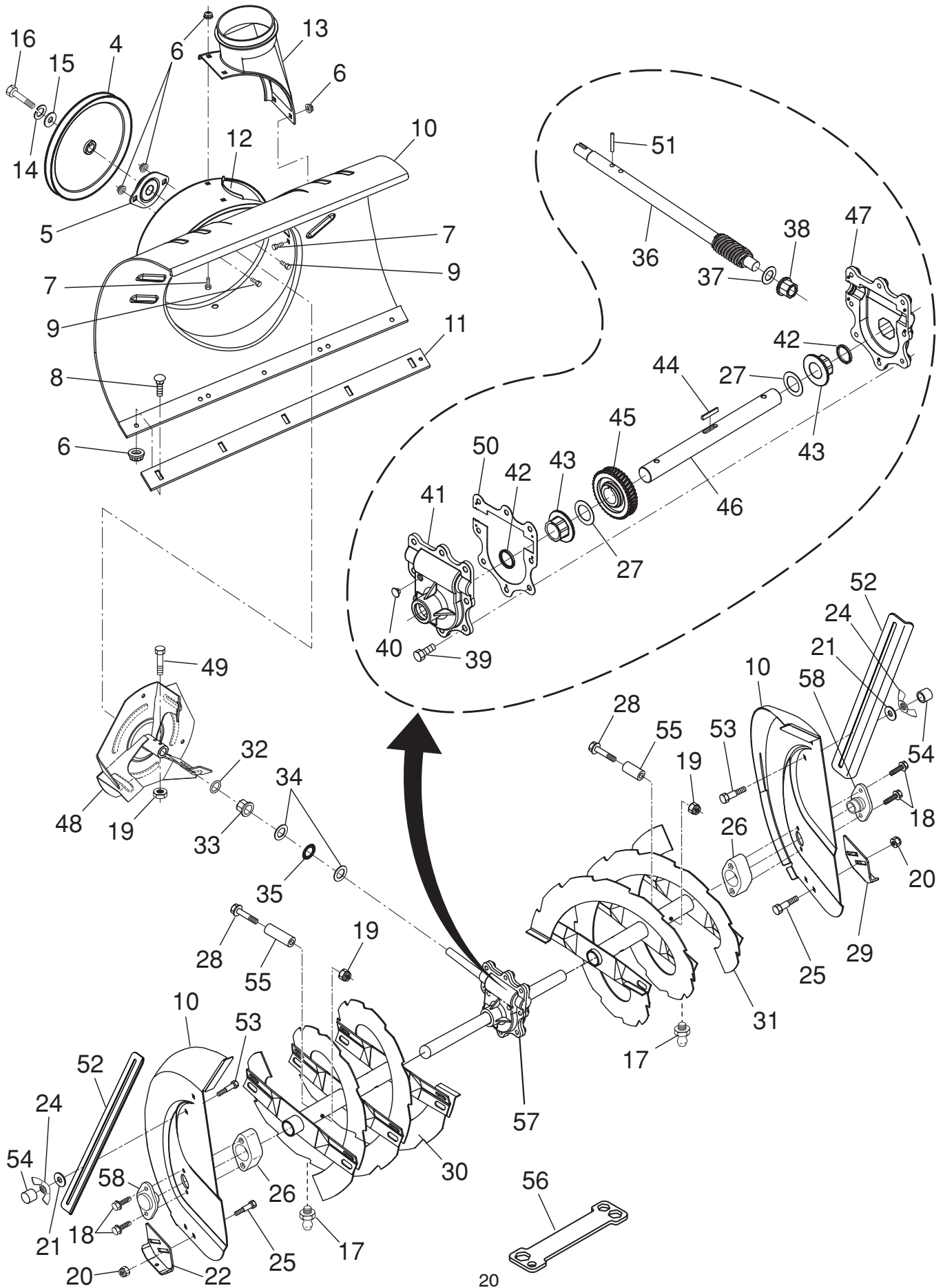
1130SBE

Illustrated Parts List / 96193001703

REPAIR PARTS

AUGER HOUSING / IMPELLER ASSEMBLY

SNOW THROWER - MODEL NO. 1130SBE (96193001703), PRODUCT NO. 961 93 00-17



REPAIR PARTS**AUGER HOUSING / IMPELLER ASSEMBLY****SNOW THROWER - MODEL NO. 1130SBE (96193001703), PRODUCT NO. 961 93 00-17**

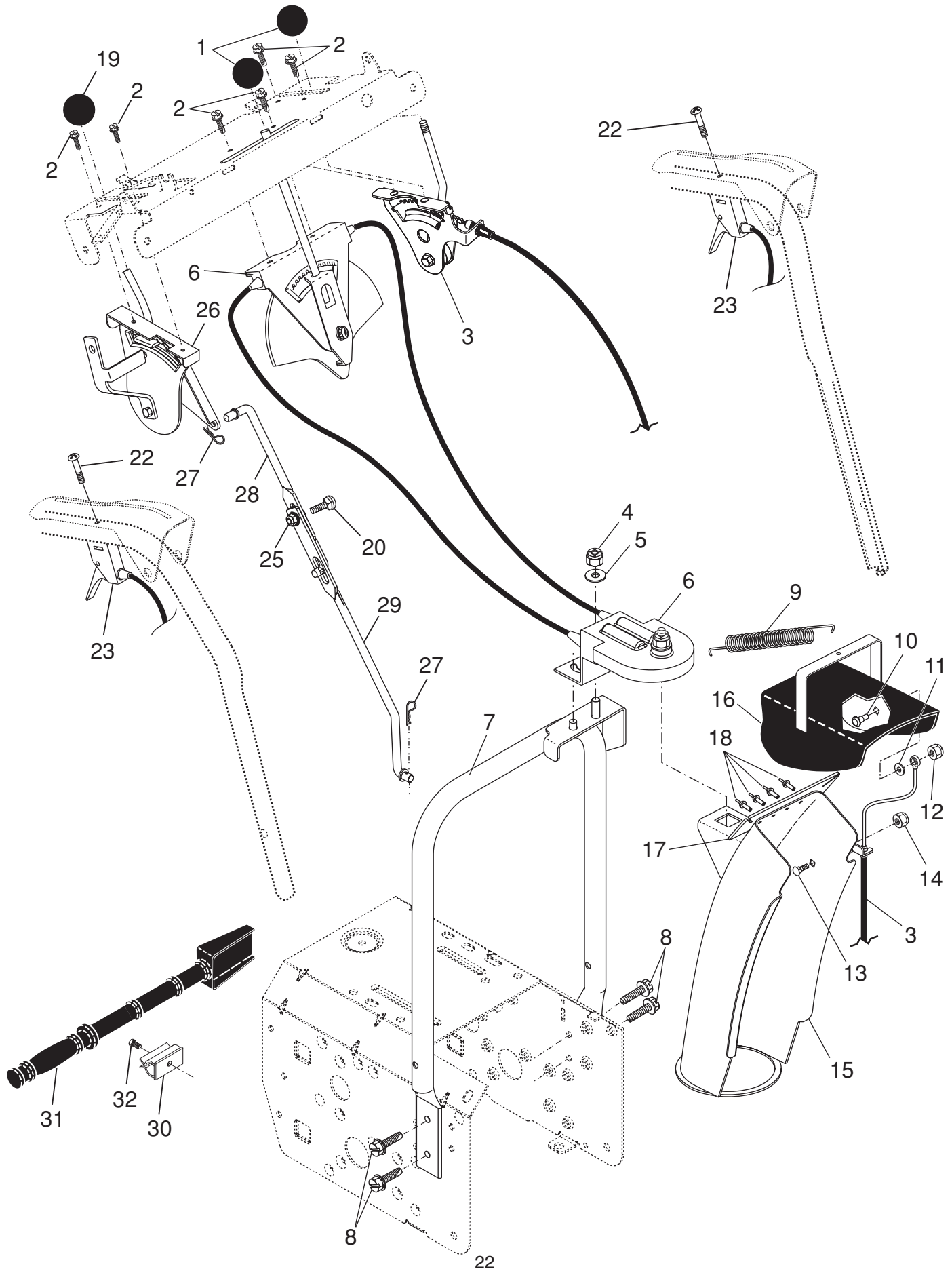
KEY PART NO.	PART NO.	DESCRIPTION	KEY PART NO.	PART NO.	DESCRIPTION
4	532 19 10-79	Pulley, Impeller	31	532 40 77-23	Auger Assembly, LH
5	532 18 89-09	Bearing Assembly, Flange	32	532 40 77-68	O-Ring
6	532 15 53-77	Nut, Hex Flange 5/16-18	33	532 40 77-69	Bushing, Flange 3/4
7	532 18 03-55	Bolt, Flat Head, Carriage 5/16-18 x 5/8	34	532 17 46-81	Washer, Thrust 3/4
8	872 27 05-05	Bolt, Carriage 5/16-1 8 x 5/8	35	532 17 46-84	Bearing, Thrust 3/4
9	532 16 31-83	Bolt	36	532 40 77-57	Shaft, Impeller
10	532 40 77-21	Housing, Auger	37	532 17 46-83	Washer, Thrust 5/8
11	532 41 62-70	Bar, Scraper	38	532 40 77-58	Bushing, Flange 5/8
12	532 18 40-95	Bracket, Corner Discharge	39	532 40 77-67	Screw, Hex Head 5/16-18 x 3/4
13	532 17 53-22	Base, Discharge Chute	40	532 40 77-60	Plug, Case
14	810 04 05-00	Washer, Lock 5/16	41	532 40 77-61	Housing, Gearbox, RH
15	819 11 15-07	Washer, Flat	42	532 40 77-70	Seal, Oil
16	874 94 05-16	Screw, Hex Head 5/16-18 x 3/4	43	532 40 77-62	Bushing, Flange, 1"
17	532 40 56-37	Grease Fitting	44	532 18 92-82	Key, Square 1/4 x 1/4 x 7/8
18	532 17 95-82	Screw, Hex Head 5/16 x 1	45	532 40 77-63	Gear, Worm
19	873 80 04-00	Nut, Hex Lock 1/4-20	46	532 40 77-64	Shaft, Auger
20	532 15 53-77	Nut, Hex Lock 5/16-18	47	532 40 77-65	Housing, Gearbox, LH
21	532 40 13-47	Washer, Flat 5/16	48	532 18 41-05	Impeller Assembly
22	532 40 78-34	Skid Plate, Heavy Duty	49	874 78 04-26	Screw, Hex Head 1/4-20 x 1-5/8
24	532 12 86-38	Wing Nut	50	532 40 77-66	Gasket, Gearbox
25	872 27 05-06	Bolt, Shoulder 1/4-20	51	532 18 42-05	Pin, Roll 3/16 x 1-1/8
26	532 18 81-70	Retainer, Plastic	52	532 18 47-47	Bar, Drift Cutter
27	532 17 46-97	Washer, Thrust, 1"	53	872 27 05-06	Bolt
28	532 19 86-36	Bolt, Shear	54	532 19 87-09	Stop
29	532 40 78-34	Skid Plate, Heavy Duty	55	532 19 86-38	Spacer
30	532 40 77-22	Auger Assembly, RH	56	532 18 06-84	Multi-Wrench
			57	532 19 67-10	Gearbox Assembly
			58	532 18 79-25	Bearing

NOTE: All component dimensions given in U.S. inches. 1 inch = 25.4 mm**IMPORTANT:** Use only Original Equipment Manufacturer (O.E.M.) replacement parts. Failure to do so could be hazardous, damage your snow thrower and void your warranty.

REPAIR PARTS

CONTROL PANEL / DISCHARGE CHUTE

SNOW THROWER - MODEL NO. 1130SBE (96193001703), PRODUCT NO. 961 93 00-17



REPAIR PARTS

CONTROL PANEL / DISCHARGE CHUTE

SNOW THROWER - MODEL NO. **1130SBE** (96193001703), PRODUCT NO. 961 93 00-17

KEY NO.	PART NO.	DESCRIPTION
1	532 41 42-80	Knob, Lever
2	817 50 10-10	Screw #10-24 x 5/8
3	532 19 84-75	Control Assembly, Deflector
4	873 80 06-00	Nut, Lock 3/8-16
5	819 13 13-16	Washer, Flat 3/8
6	532 40 49-74	Control Assembly, Chute Rotater
7	532 40 76-43	Support, Pivot
8	532 15 00-78	Screw, Hex Head 5/16-18 x 3/4
9	532 18 45-05	Spring, Deflector
10	532 17 98-29	Bolt, Shoulder
11	532 17 92-46	Washer, Friction, Nylon
12	532 19 17-30	Nut, Lock 1/4-20
13	872 25 05-05	Bolt, Carriage 5/16-18
14	532 75 11-53	Nut, Lock 5/16-18
15	532 40 76-50	Chute Assembly
16	532 18 41-13	Deflector Assembly
17	532 17 91-45	Seal, Deflector
18	532 12 84-15	Rivet, Blind
19	532 41 42-81	Knob, Speed Control Lever
20	872 27 05-06	Bolt, Carriage 5/16-18 x 3/4
22	874 04 10-24	Screw #10-24 x 1-1/2
23	532 19 24-49	Control Assembly, Power Steering
25	532 15 53-77	Nut, Lock 5/16-18
26	532 19 84-74	Lever Assembly, Speed Control
27	532 16 96-75	Retainer, Hairpin
28	532 18 04-45	Rod, Upper, Speed Control
29	532 18 77-16	Rod, Lower, Speed Control
30	532 40 54-00	Clamp, Clean-Out Tool
31	532 19 21-99	Tool, Clean-Out
32	532 19 41-89	Screw

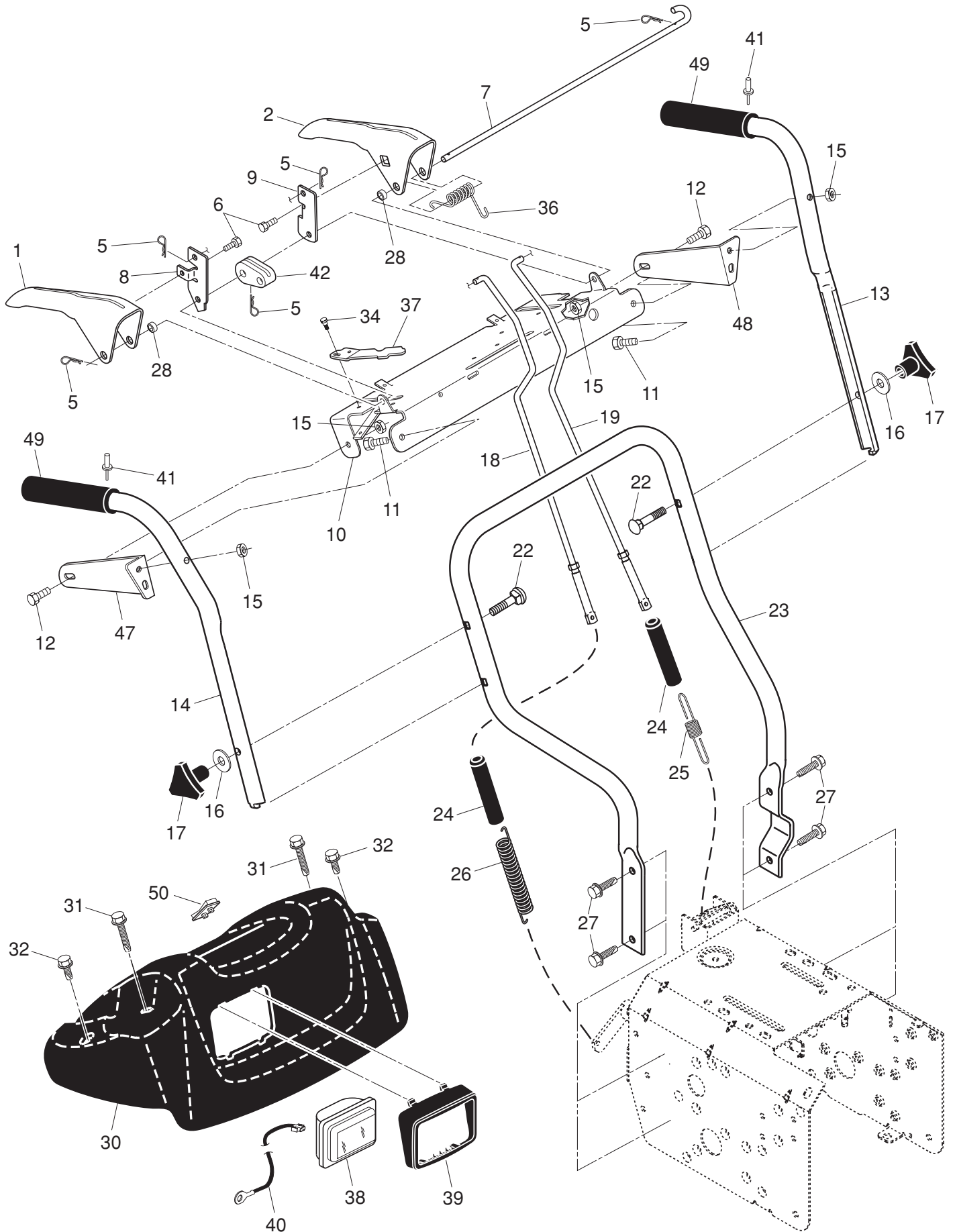
NOTE: All component dimensions given in U.S. inches. 1 inch = 25.4 mm

IMPORTANT: Use only Original Equipment Manufacturer (O.E.M.) replacement parts. Failure to do so could be hazardous, damage your snow thrower and void your warranty.

REPAIR PARTS

HANDLES

SNOW THROWER - MODEL NO. 1130SBE (96193001703), PRODUCT NO. 961 93 00-17



REPAIR PARTS**HANDLES****SNOW THROWER - MODEL NO. 1130SBE (96193001703), PRODUCT NO. 961 93 00-17**

KEY NO.	PART NO.	DESCRIPTION
1	532 41 55-42	Lever, Auger Control, RH
2	532 41 55-41	Lever, Traction Drive Control, LH
5	532 16 96-75	Retainer, Hairpin
6	817 06 04-08	Screw, Hex Head
7	532 41 26-77	Rod, Interlock
8	532 19 95-76	Arm, Impeller Rod
9	532 41 55-46	Arm, Traction Rod
10	532 41 55-39	Panel, Control
11	874 78 05-24	Screw, Hex Head 5/16-18 x 1-1/2
12	874 78 05-12	Screw, Hex Head 5/16-18 x 1-3/4
13	532 41 52-36	Handle Tube, LH
14	532 41 52-37	Handle Tube, RH
15	532 75 11-53	Nut, Lock 5/16-18
16	819 13 13-16	Washer, Flat 3/8
17	532 17 88-99	Knob, Handle
18	532 18 04-80	Rod, Auger Control
19	532 18 04-81	Rod, Traction Control
22	872 12 06-18	Bolt, Carriage 3/8-16 x 2-1/4
23	532 18 40-87	Handle Tube, Lower
24	532 18 04-47	Sleeve, Spring
25	532 18 09-26	Spring, Traction Drive
26	532 17 86-69	Spring, Auger Control
27	817 00 06-16	Screw, Hex Head 3/8-16 x 1
28	532 41 26-80	Spacer
30	532 40 58-79	Console, Panel
31	532 17 52-62	Screw, Hex Head, Tapping #10-24 x 1-1/4
32	532 18 44-71	Screw, Hex Head, Tapping #10-24 x 1/2
34	817 06 04-10	Screw
36	532 17 88-31	Spring, Torsion
37	532 41 62-88	Spring, Interlock
38	532 17 86-66	Headlight, Halogen (Includes Bulb)
--	532 40 16-20	Bulb, Halogen
39	532 17 86-68	Bezel, Headlight
40	532 40 56-99	Harness, Headlight (Halogen)
41	532 17 87-75	Pop Rivet
42	532 41 45-72	Cam, Interlock
47	532 19 69-43	Mounting Bracket, Handle, RH
48	532 19 69-44	Mounting Bracket, Handle, LH
49	532 41 45-15	Grip, Handle, Heated
50	532 40 57-81	Switch, Heated Handle Grips

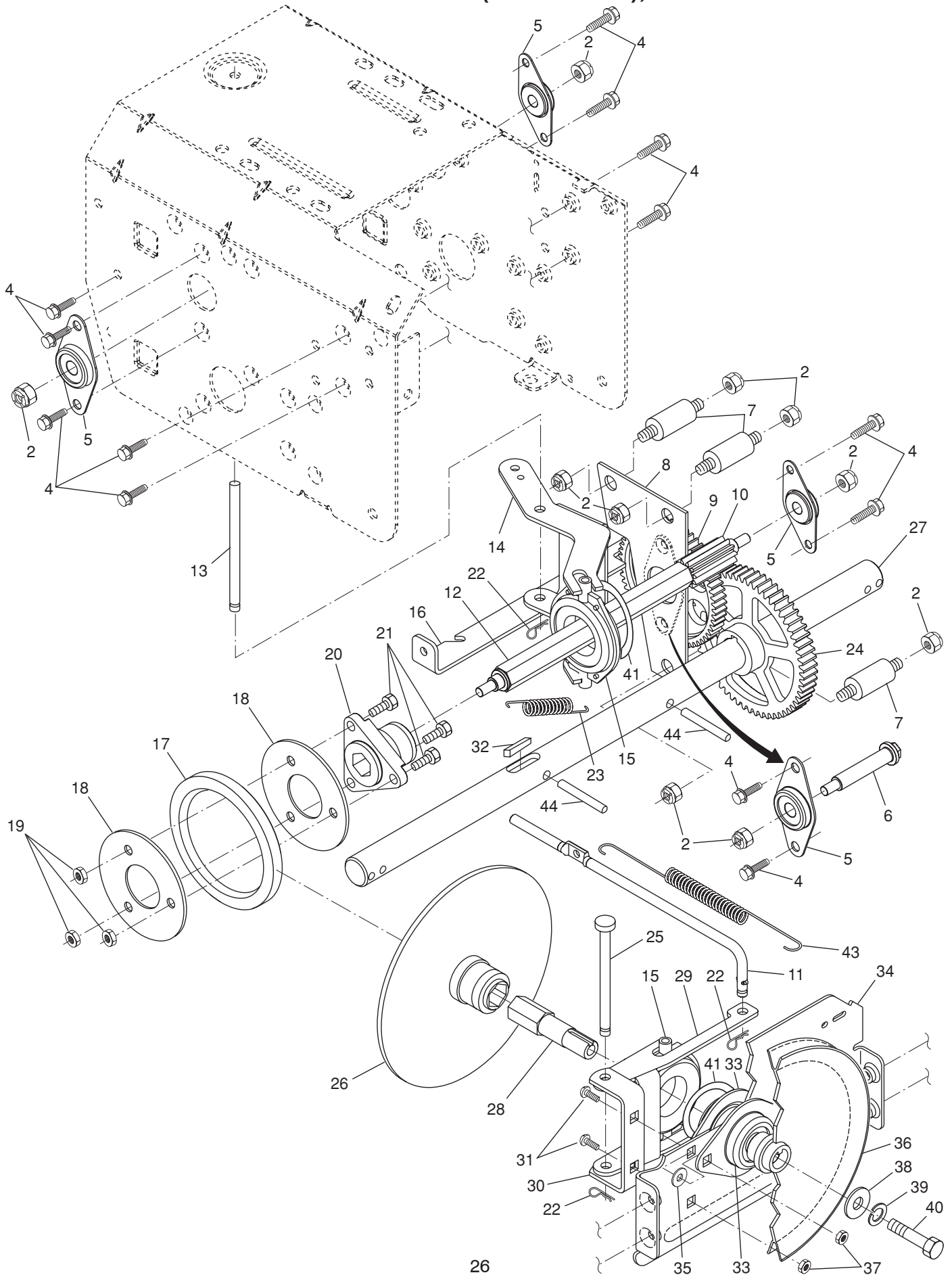
NOTE: All component dimensions given in U.S. inches. 1 inch = 25.4 mm

IMPORTANT: Use only Original Equipment Manufacturer (O.E.M.) replacement parts. Failure to do so could be hazardous, damage your snow thrower and void your warranty.

REPAIR PARTS

DRIVE

SNOW THROWER - MODEL NO. 1130SBE (96193001703), PRODUCT NO. 961 93 00-17



REPAIR PARTS**DRIVE****SNOW THROWER - MODEL NO. 1130SBE (96193001703), PRODUCT NO. 961 93 00-17**

KEY NO.	PART NO.	DESCRIPTION
2	532 75 11-53	Nut, Lock 5/16-18
4	817 49 05-08	Screw, Hex Head 5/16-18 x 1/2
5	532 18 00-17	Bearing, Flange
6	532 18 01-34	Shaft, Auxiliary
7	532 17 92-70	Spacer, Plate
8	532 19 29-07	Plate, Auxiliary
9	532 18 00-82	Gear, Intermediate (12/58)
10	532 18 00-65	Gear, Pinion
11	532 18 77-14	Rod, Clutch
12	532 18 00-66	Shaft, Long, Hex
13	532 17 88-07	Pin, Pivot
14	532 18 40-80	Lever, Shifter / Wheel
15	532 17 53-44	Trunnion Bearing Assembly
16	532 18 78-57	Bracket, Pivot, Shift
17	532 17 98-31	Ring, Rubber Wheel
18	532 19 95-09	Plate, Rubber Wheel
19	873 93 05-00	Nut, Lock 5/16-18
20	532 17 86-13	Hub, Rubber Wheel
21	874 76 05-14	Screw, Hex Head 5/16-18 x 7/8
22	532 08 51-79	Retainer, Hairpin
23	532 18 01-35	Spring, Bias
24	532 18 00-81	Gear, Axle (58 Teeth)
25	532 17 86-95	Pin, Pivot Lever
26	532 19 77-63	Plate Assembly, Drive
27	532 40 43-07	Shaft, Axle
28	532 19 77-64	Shaft, Short Hex
29	532 18 40-77	Lever, Shifter Plate
30	532 18 40-76	Bracket, Shifter Support
31	872 27 05-05	Bolt, Carriage 5/16-18 x 5/8
32	532 18 92-82	Key, Square 1/4 x 1/4 x 7/8
33	532 18 89-09	Bearing, Flange
34	532 18 40-75	Plate, Drive Mounting
35	532 18 25-04	Spacer, Bearing
36	532 19 10-80	Pulley, Traction Drive
37	532 15 53-77	Nut, Lock 5/16-18
38	819 11 15-07	Washer, Flat
39	810 04 05-00	Washer, Lock 5/16
40	874 95 05-12	Screw, Hex Head 5/16-18 x 3/4
41	812 00 00-12	Ring, Retaining
43	532 17 90-95	Spring, Return
44	532 18 42-06	Pin, Roll

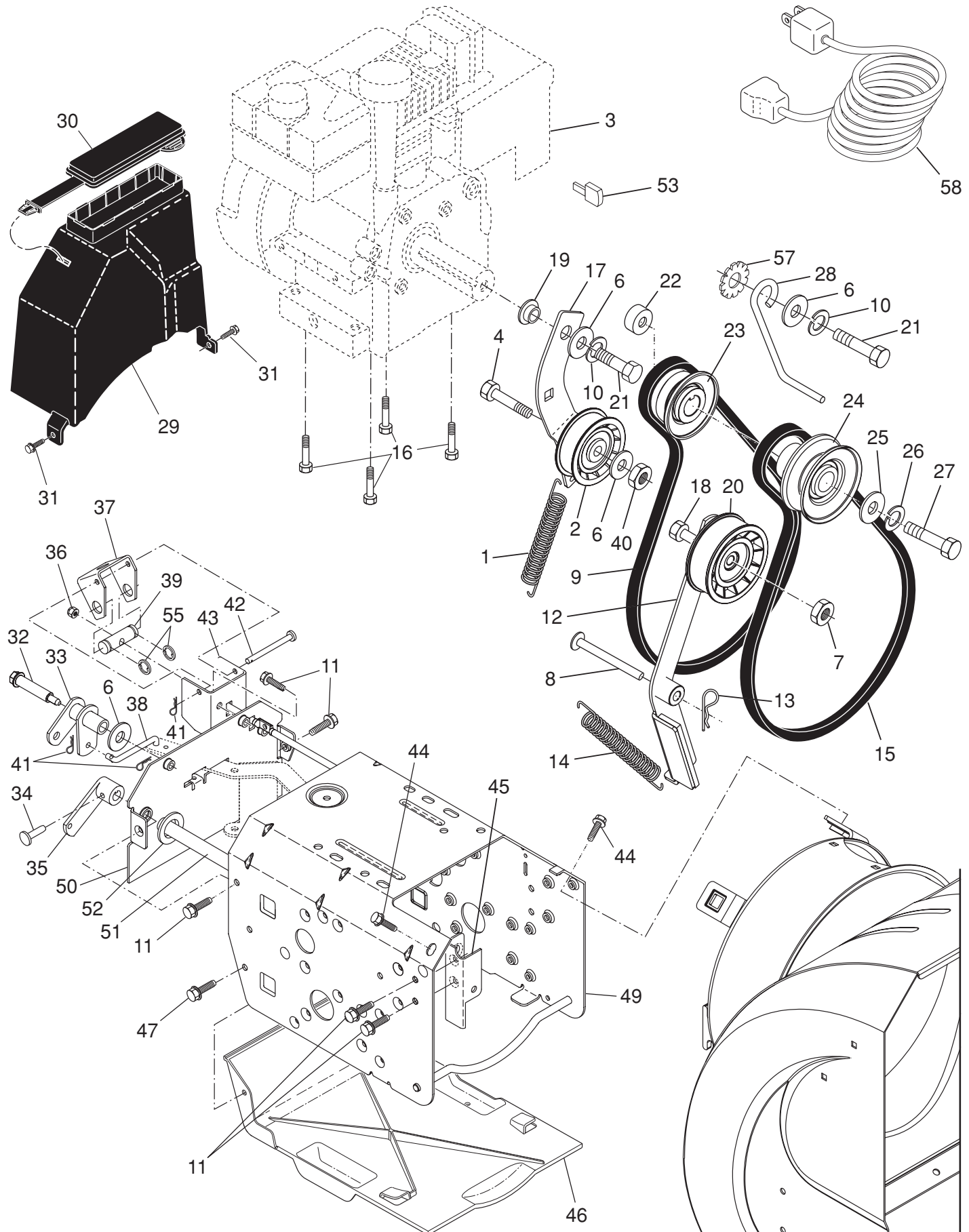
NOTE: All component dimensions given in U.S. inches. 1 inch = 25.4 mm

IMPORTANT: Use only Original Equipment Manufacturer (O.E.M.) replacement parts. Failure to do so could be hazardous, damage your snow thrower and void your warranty.

REPAIR PARTS

CHASSIS / ENGINE / PULLEYS

SNOW THROWER - MODEL NO. 1130SBE (96193001703), PRODUCT NO. 961 93 00-17



REPAIR PARTS

CHASSIS / ENGINE / PULLEYS

SNOW THROWER - MODEL NO. 1130SBE (96193001703), PRODUCT NO. 961 93 00-17

KEY PART NO.	PART NO.	DESCRIPTION	KEY PART NO.	PART NO.	DESCRIPTION
1	532 18 10-44	Spring, Traction Idler	28	532 15 54-52	Guide, Belt
2	532 18 05-22	Pulley, Idler (2-1/4)	29	532 19 22-13	Belt Cover Assembly (Includes Toolbox Cover)
3	- - -	Engine, Tecumseh, Model Number LH358SA (For engine service and replacement parts, call Tecumseh Products at 1-800-558-5402)	30	532 17 88-30	Cover, Toolbox
4	874 78 05-20	Screw, Hex Head 5/16-18 x 1-1/4	31	817 49 04-08	Screw, Hex Head 1/4-20 x 1/2
6	532 05 92-89	Washer, Flat	32	532 17 92-56	Bolt, Shoulder 5/16-18
7	532 16 67-85	Nut, Jam, Lock 5/16-18	33	532 18 78-53	Bellcrank Shifter
8	532 17 53-30	Pin, Idler Pivot	34	532 19 85-80	Clevis Pin
9	532 17 90-92	V-Belt, Traction Drive	35	532 40 54-85	Arm, Auger Control
10	810 04 05-00	Washer, Lock 5/16	36	873 80 05-00	Nut, Lock 5/16-18
11	817 49 05-08	Screw, Hex Head 5/16-18 x 1/2	37	532 18 40-86	Bellcrank
12	532 41 04-20	Idler Arm / Brake Pad Assembly	38	532 18 71-01	Link, Speed Control
13	532 08 51-79	Retainer, Hairpin	39	532 19 21-10	Trunnion, Pivot Bracket
14	532 17 88-28	Spring, Brake	40	873 93 05-00	Locknut, Hex
15	532 40 80-10	V-Belt, Impeller Drive	41	532 70 02-79	Hairpin, Cotter 3/32 x 1/2
16	532 15 04-06	Screw, Hex Head 3/8-16 x 1-1/4	42	532 17 90-65	Pin, Bellcrank
17	532 17 93-54	Arm, Idler	43	532 18 40-85	Bracket, Bellcrank
18	874 78 05-24	Screw, Hex Head 5/16-18 x 1-1/2	44	817 00 06-16	Screw, Hex Head
19	532 17 53-31	Bushing, Idler Pivot	45	532 18 40-74	Pivot Bracket, Impeller Idler Arm
20	532 18 05-23	Pulley, Idler (2-3/4)	46	532 41 08-77	Pan, Frame Bottom
21	874 61 05-16	Screw, Hex Head 5/16-18 x 1	47	532 18 44-71	Screw, Hex Head 5/16-18 x 3/4
22	532 40 94-75	Spacer, Engine Pulley	49	532 41 61-55	Frame Assembly
23	532 18 04-78	Pulley, Engine, Traction Drive	50	532 18 80-02	Plate, Frame End
24	532 17 91-57	Pulley, Engine, Impeller Drive	51	532 40 61-09	Shaft, Auger Control
25	532 40 00-26	Washer, Flat 3/8	52	532 05 70-79	Washer, Hardened
26	532 85 02-63	Washer, Lock, Helical 3/8	53	532 03 50-62	Key, Safety
27	532 85 10-84	Screw, Hex Head 3/8-24 x 1-3/8	55	512 00 00-02	Ring, Crescent
			57	811 05 05-00	Washer, Lock, External Tooth 5/16
			58	532 19 85-63	Power Cord

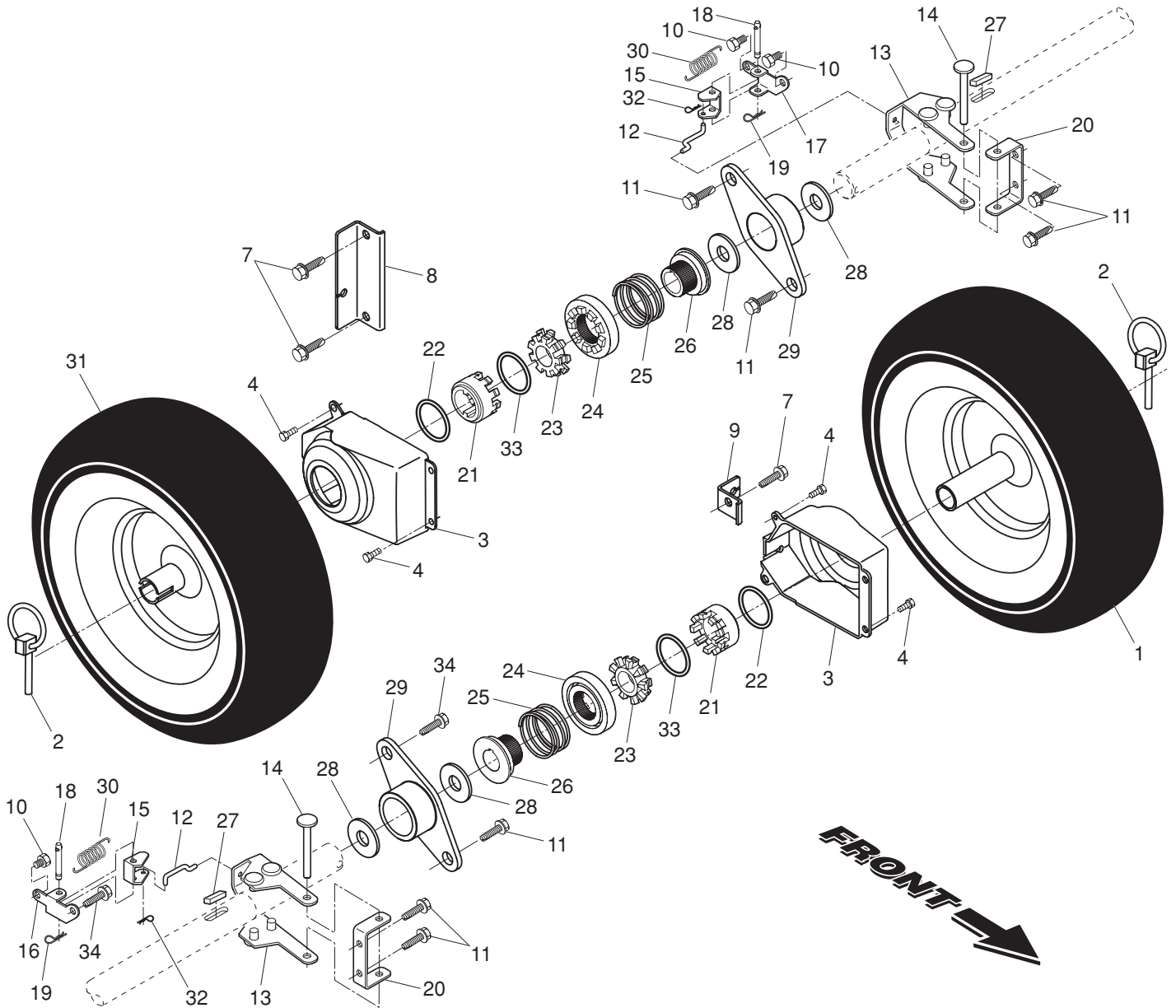
NOTE: All component dimensions given in U.S. inches. 1 inch = 25.4 mm

IMPORTANT: Use only Original Equipment Manufacturer (O.E.M.) replacement parts. Failure to do so could be hazardous, damage your snow thrower and void your warranty.

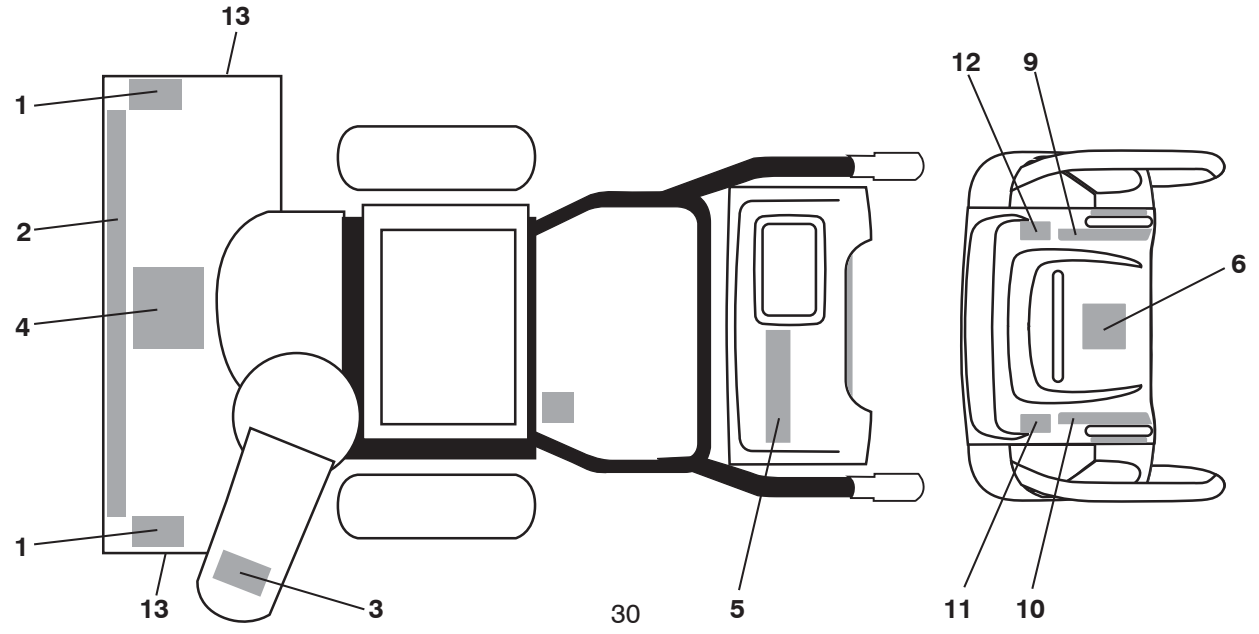
REPAIR PARTS

WHEELS / DECALS

SNOW THROWER - MODEL NO. 1130SBE (96193001703), PRODUCT NO. 961 93 00-17



FRONT →



REPAIR PARTS**WHEELS / DECALS****SNOW THROWER - MODEL NO. 1130SBE (96193001703), PRODUCT NO. 961 93 00-17**

KEY NO.	PART NO.	DESCRIPTION
1	532 19 95-01	Wheel Assembly, 16", Power Steering, LH
2	532 15 54-43	Pin, Klik 1/4
3	532 40 51-61	Cover, Power Steering
4	532 18 44-71	Bolt, Shoulder #10-24 x 5/8
7	817 06 04-10	Capscrew, Hex Head, Flanged 3/8-16 x 1
8	532 18 78-59	Bracket, Steering Cable, RH
9	532 41 52-63	Bracket, Steering Cable, LH
10	817 60 04-06	Screw, Hex Head 1/4-20 x 3/8
11	817 49 05-08	Screw, Hex Head 5/16-18 x 1/2
12	532 40 50-77	Link, Steering Yoke
13	532 19 95-19	Yoke, Steering
14	532 18 20-15	Pin, Steering Lever
15	532 19 95-18	Bellcrank
16	532 19 95-12	Bracket Assembly, LH Steering
17	532 19 95-11	Bracket Assembly, RH Steering
18	532 18 18-47	Pin, Steering Bellcrank
19	532 08 51-79	Retainer, Hairpin
20	532 18 41-97	Bracket, Steering
21	532 19 21-26	Driver, Wheel
22	532 18 24-66	Ring, Wire Retainer
23	532 18 76-22	Lobe, Wheel
24	532 19 49-41	Slide, Clutch
25	532 17 91-39	Spring, Clutch Slide
26	532 19 49-40	Lobe, Axle
27	532 18 92-82	Key, Square
28	532 17 46-97	Washer, Thrust (1")
29	532 17 98-30	Bearing, Axle
30	532 19 38-85	Spring, Return
31	532 19 95-02	Wheel Assembly, 16", Power Steering, RH
32	532 70 02-79	Clip, Retainer
33	812 00 00-45	Ring, Retaining
34	532 14 63-15	Screw, Hex Head 5/16-18 x 5/8

KEY NO.	PART NO.	DESCRIPTION
1	532 18 10-37	Decal, Danger
2	532 41 47-47	Decal, Husqvarna
3	532 18 10-35	Decal, Danger, Deflector
4	532 18 10-42	Decal, Danger
5	532 41 47-48	Decal, Husqvarna, 1130SBE
6	532 18 10-33	Decal, Instruction
9	532 41 54-75	Decal, Speed Control
10	532 18 37-30	Decal, Remote Deflector
11	532 41 53-99	Decal, LH Trigger
12	532 41 53-98	Decal, RH Trigger
13	532 15 57-94	Decal, Husqvarna, Crown
--	532 41 51-97	Owner's Manual, English
--	532 41 51-98	Owner's Manual, French

NOTE: All component dimensions given in U.S. inches. 1 inch = 25.4 mm

IMPORTANT: Use only Original Equipment Manufacturer (O.E.M.) replacement parts. Failure to do so could be hazardous, damage your snow thrower and void your warranty.



SECTION 1: LIMITED WARRANTY

Husqvarna Forest & Garden Company ("Husqvarna") warrants Husqvarna product to the original purchaser to be free from defects in material and workmanship from the date of purchase for the "Warranty Period" of the product as set forth below:

Lifetime Warranty: All tiller tines against breakage, trimmer shafts, ignition coils and modules on hand held product.

3 Year Warranty: Spindles (on Zero Turn Riders and Commercial Walk-Behinds)

2 Year COMMERCIAL-Warranty: Husqvarna Commercial Turf Equipment—zero turn riders, wide area walks, and ground engaging commercial equipment.

2 Year NON-COMMERCIAL Warranty: Automatic Mower, Riding lawn mowers, yard and garden tractors, walk behind mowers, tillers, chain saws, trimmers, brushcutters, clearing saws, snow blowers, handheld blowers, backpack blowers, hedge trimmers, electrical products and power-assist collection systems for noncommercial, nonprofessional, noninstitutional or nonincome producing use, except as herein stated.

Emission control system components necessary to comply with CARB-TIER-II and EPA regulations, except for those components which are part of engine systems manufactured by third party engine manufacturers for which the purchaser has received a separate warranty with product information supplied at time of purchase.

1 Year Warranty: Power cutters, stump grinder, pole pruners and pole saws for non-commercial, non-professional, non-institutional or non-income producing use. All trimmers, brushcutters, clearing saws, hovering trimmers, stick edgers, backpack blowers, hand held blowers, hedge trimmers, power-assist collection systems used for commercial, institutional, professional or income producing purposes or use.

Batteries have a one-year prorated limited warranty with 100% replacement during the first 6 months.

90 Day Warranty: Automatic Mower, Chain saws, power cutters, stump grinders, pole saws, pole pruners, snow throwers, model series 580 & 600 walk-behind mowers and commercial turf equipment or any Husqvarna product used for commercial, institutional, professional, or income producing purposes or use except as otherwise provided herein.

Husqvarna Safety Apparel carries a 90-day warranty from the date of the customer's original purchase for defects in material and workmanship. Normal wear, tear or abuse is not covered under warranty. Product must be returned to Charlotte with a warranty claim form. All care and maintenance instructions must be followed as stated by the manufacturer on the care label. The fit of the protective apparel/boot is not covered under warranty.

30 Day Warranty: Replacement parts, accessories including bars and chains, tools and display items.

SECTION 2: HUSQVARNA'S OBLIGATIONS UNDER THE WARRANTY

Husqvarna will repair or replace defective components without charge for parts or labor if a component fails because of a defect in material or workmanship during the warranty period.

SECTION 3: ITEMS NOT COVERED BY THIS WARRANTY

The following items are not covered by this warranty:

- (1) Normal customer maintenance items which become worn through normal regular use, including, but not limited to, belts, blades, blade adapters, bulbs, filters, guide bars, lubricants, rewind springs, saw chain, spark plugs, starter ropes and tines;
- (2) Natural discoloration of material due to ultraviolet light;
- (3) Engine and drive systems not manufactured by Husqvarna; these items are covered by the respective manufacturer's warranty as provided in writing with the product information supplied at the time of purchase; all claims must be sent to the appropriate manufacturer;
- (4) Lawn and garden attachments are covered by a third party which gives a warranty, all claims for warranty should be sent to the manufacturer; and
- (5) Emission Control System components necessary to comply with CARB-TIER-II and EPA regulations which are manufactured by third party engine manufacturer.

WARRANTY STATEMENT

SECTION 4: EXCEPTIONS AND LIMITATIONS

This warranty shall be inapplicable to defects resulting from the following:

- (1) Accident, abuse, misuse, negligence and neglect, including stale fuel, dirt, abrasives, moisture, rust, corrosion, or any adverse reaction due to incorrect storage or use habits;
- (2) Failure to operate or maintain the unit in accordance with the Owner's/Operator's manual or instruction sheet furnished by Husqvarna;
- (3) Alterations or modifications that change the intended use of the product or affects the product's performance, operation, safety, or durability, or causes the product to fail to comply with any applicable laws; or
- (4) Additional damage to parts or components due to continued use occurring after any of the above.

REPAIR OR REPLACEMENT AS PROVIDED UNDER THIS WARRANTY IS THE EXCLUSIVE REMEDY OF THE PURCHASER. HUSQVARNA SHALL NOT BE LIABLE FOR ANY INCIDENTAL OR CONSEQUENTIAL DAMAGES FOR BREACH OF ANY EXPRESS OR IMPLIED WARRANTY ON THESE PRODUCTS EXCEPT TO THE EXTENT PROHIBITED BY APPLICABLE LAW. ANY IMPLIED WARRANTY OF MERCHANTABILITY OR FITNESS FOR A PARTICULAR PURPOSE ON THESE PRODUCTS IS LIMITED IN DURATION TO THE WARRANTY PERIOD AS DEFINED IN THE LIMITED WARRANTY STATEMENT. HUSQVARNA RESERVES THE RIGHT TO CHANGE OR IMPROVE THE DESIGN OF THE PRODUCT WITHOUT NOTICE, AND DOES NOT ASSUME OBLIGATION TO UPDATE PREVIOUSLY MANUFACTURED PRODUCTS.

Some states do not allow the exclusion of incidental or consequential damages, or limitations on how long an implied warranty lasts, so the above limitations or exclusions may not apply to you. This warranty gives you specific legal rights, and you may also have other rights which vary from state to state.

SECTION 5: CUSTOMER RESPONSIBILITIES

The product must exhibit reasonable care, maintenance, operation, storage and general upkeep as written in the maintenance section of the Owner's/Operator's manual. Should an operational problem or failure occur the product should not be used, but delivered as is to an authorized Husqvarna dealer for evaluation. Proof of purchase, as explained in section 6, rests solely with the customer.

SECTION 6: PROCEDURE TO OBTAIN WARRANTY CONSIDERATION

It is the Owner's and Dealer's responsibility to make certain that the Warranty Registration Card is properly filled out and mailed to Husqvarna Forest & Garden Company. This card should be mailed within ten (10) days from the date of purchase in order to confirm the warranty and to facilitate post-sale service.

Proof of purchase must be presented to the authorized Husqvarna dealer in order to obtain warranty service. This proof must include date purchased, model number, serial number, and complete name and address of the selling dealer.

To obtain the benefit of this warranty, the product believed to be defective must be delivered to an authorized Husqvarna dealer in a timely manner, no later than thirty (30) days from date of the operational problem or failure. The product must be delivered at the owner's expense. Pick-up and delivery charges are not covered by this warranty. An authorized Husqvarna dealer can be normally located through the "Yellow Pages" of the local telephone directory or by calling 1-800-HUSKY62 for a dealer in your area.

HUSQVARNA
7349 Statesville Road
Charlotte, NC 28269

531 83 81-23 2007