

Parts Manual

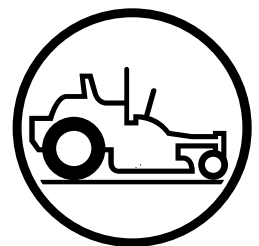
LZ6127TKOA / 968999271

LZ5227TXPKOA / 968999309

LZ6130TXPKOA / 968999311

LZ7230TXPKOA / 968999314

Please read the operator's manual carefully and make sure you understand the instructions before using the machine.



English

Model Number: _____

Serial Number: _____

Date of Purchase: _____

Dealer Information: _____

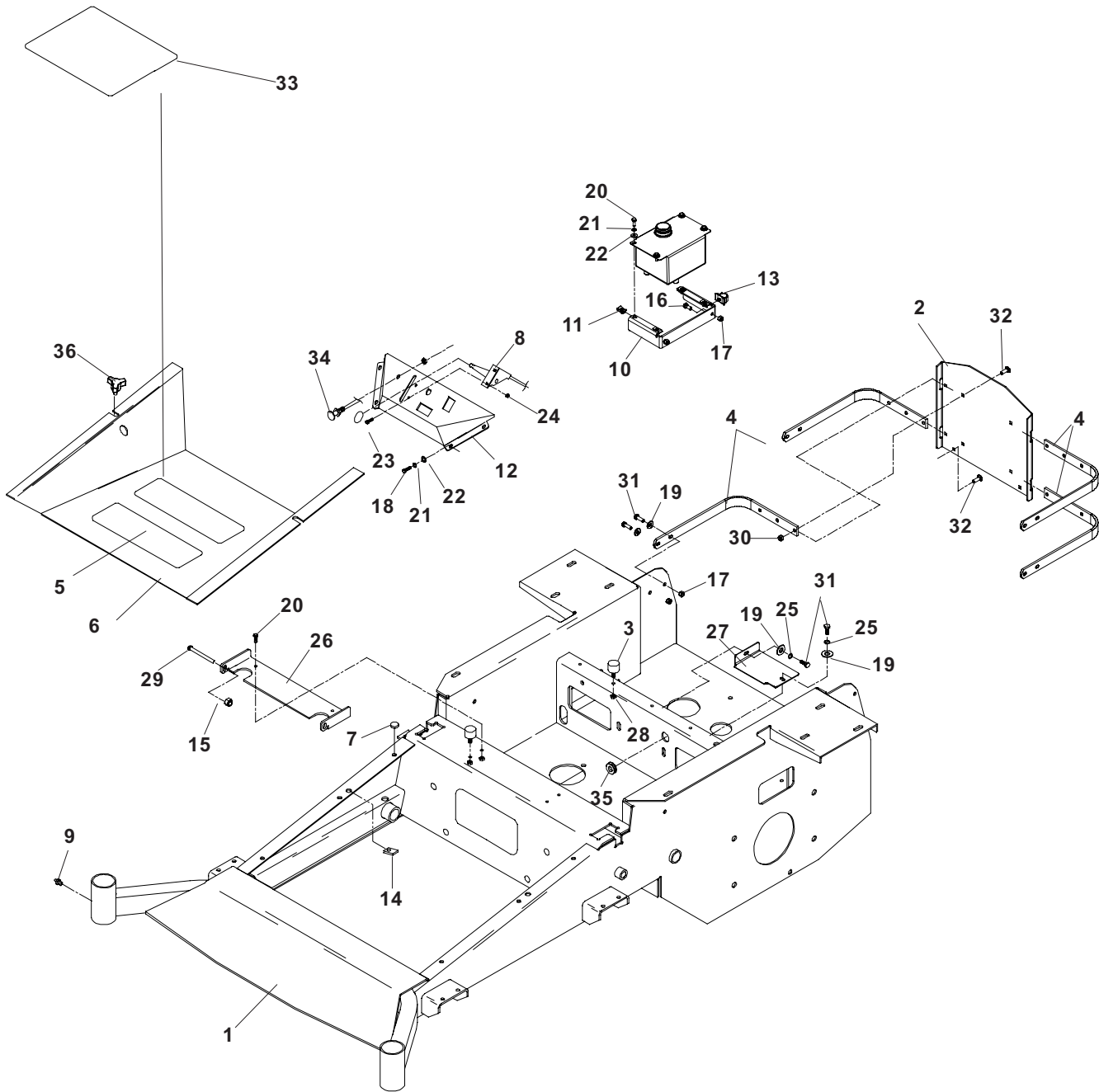
Notes: _____

CONTENTS

SECTION	PAGE
CHASSIS / FRAME	4-7
ENGINE	8-9
STEERING	10-11
MOWER LIFT / DECK LIFT	12-13
PARK BRAKE	14-15
HYDRAULIC PUMP - MOTOR	16-17
52 INCH CUTTING DECK	18-19
61 INCH CUTTING DECK	20-21
72 INCH CUTTING DECK	22-23
CASTERS	24
FUEL SYSTEM	25
SEAT, MODEL: 968999271	26
SEAT, MODELS: 968999309, 968999311, 968999314	27
ELECTRICAL	28
PROTECTION FRAME (ROPS)	29
DECALS	30-31
ACCESSORIES:	
HCS13 COLLECTION SYSTEM	32-46
MULCH KITS	47
BAFFLE KITS	48
LIGHT KIT	49
DFS COLLECTION SYSTEM.....	50-57
SCHEMATIC	58-59

NOTE: ALL FASTENERS ARE GRADE 5 UNLESS OTHERWISE SPECIFIED.

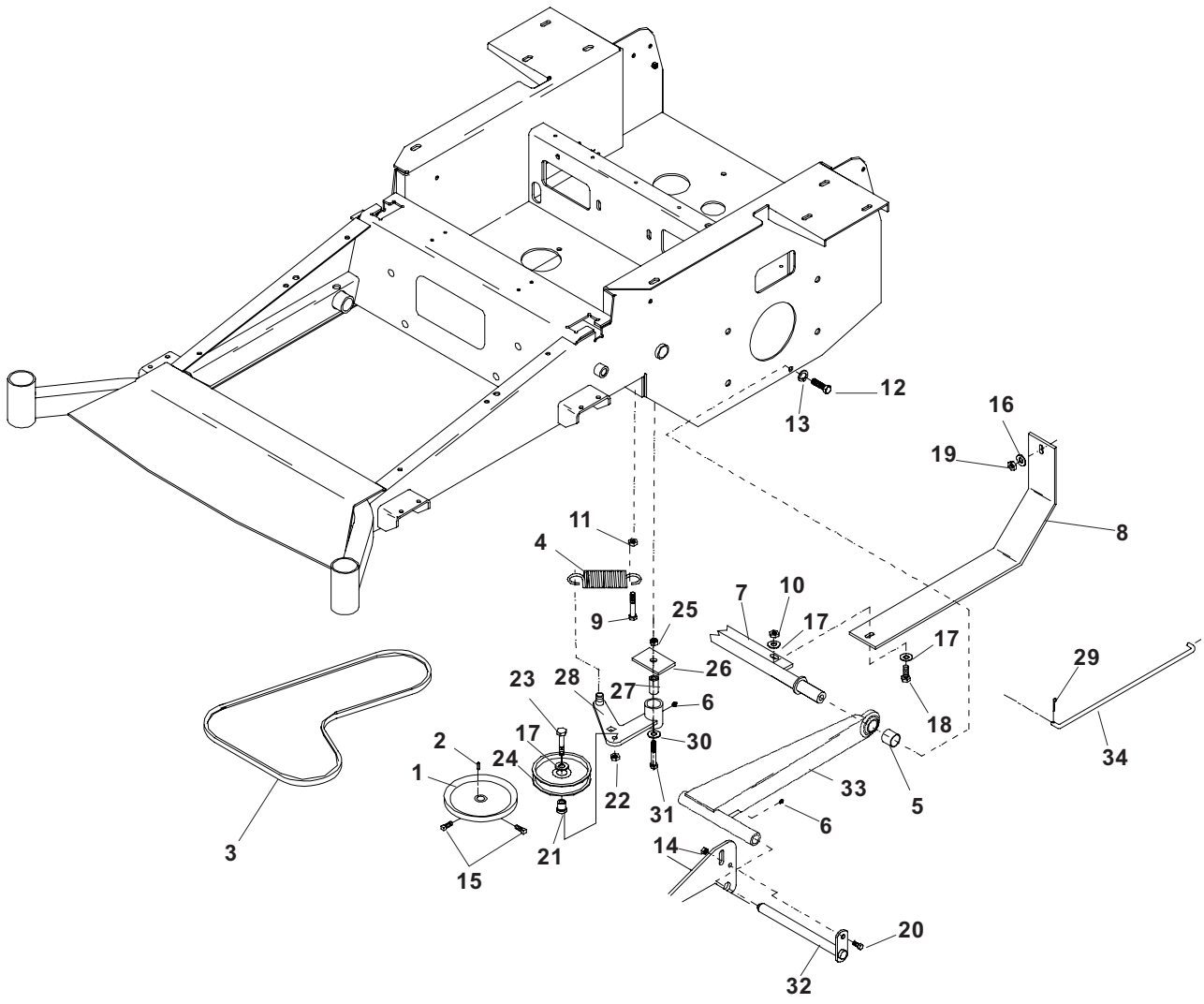
CHASSIS / FRAME



CHASSIS / FRAME

ITEM	PART NO.	QTY.	DESCRIPTION	ITEM	PART NO.	QTY.	DESCRIPTION
1....	539 111143	... 1...	FRAME/DECALS, 52"/61"	21 ...	539 990052	... 8...	LOCKWASHER, ¼
....	539 111144	... 1...	FRAME/DECALS, 72"	22 ...	539 990598	... 8...	WASHER, ¼
2....	539 110976	... 1...	XP GUARD	23....	539 990411	... 2...	HCS, #10-24 x ½
3...	539 105039	... 4...	STUD/PLATE MOUNT	24 ...	539 976977	... 4...	NUT, #10-24, NYLOC
4...	539 106961	... 4...	STRAP	25 ...	539 990187	... 2...	LOCKWASHER, 5/16
5...	539 977778	... 3...	ANTI-SKID PAD	26 ...	539 105038	... 1...	SEAT BRACKET
6....	539 111574	... 1...	FOOT PLATE	27 ...	539 105716	... 1...	IDLER COVER
7... 539 102587	...	6...	BUMPER	28 ...	539 976978	... 2...	NUT, ¼C, NYLOC
8... 539 102732	...	1...	THROTTLE CABLE	29... 539 102612	...	2...	HCS, 3/8C x 2¾
9... 539 101474	...	2...	ZERK, DRIVE IN	30... 539 990184	...	10...	NUT, 5/16C, CENTERLOCK
10.... 539 110814	...	1...	TANK MOUNT	31 ...	539 990209	... 2...	HCS, 5/16C x 1
11.... 539 110813	...	4...	"U" TYPE, ¼C, RETAINER	32... 539 990316	...	10...	RHSSNB, 5/16C x ¾
12.... 539 111147	...	1...	CONSOLE W/DECAL	33.... 539 112654	...	1...	FLOOR PAN PAD MODELS 968999309, 968999311, 968999314 ONLY
13.... 539 110815	...	1...	PUSH MOUNT WIRE CLIP	34 ...	539 102733	... 1...	CHOKE CONTROL, NOT USED ON EFI MODELS
14 ... 539 104763	...	2...	"U" CLIP, 5/16C	35.... 539 110433	...	1...	GROMMET
15... 539 976979	...	2...	NUT, 3/8C, NYLOC	36.... 539 104411	...	2...	KNOB W/STUD
16... 539 976934	...	2...	HCS, 5/16C x ¾	NOT SHOWN			
17... 539 990717	...	12...	NUT, 5/16C, NYLOC 539 112656	...	1...	FOOT REST PAD MODELS 968999309, 968999311, 968999314
18... 539 990362	...	4...	TFS, ¼C x 5/8				
19... 539 990692	...	14...	WASHER, 5/16				
20... 539 990580	...	6...	HCS, ¼C x ¾				

CHASSIS / FRAME



CHASSIS / FRAME

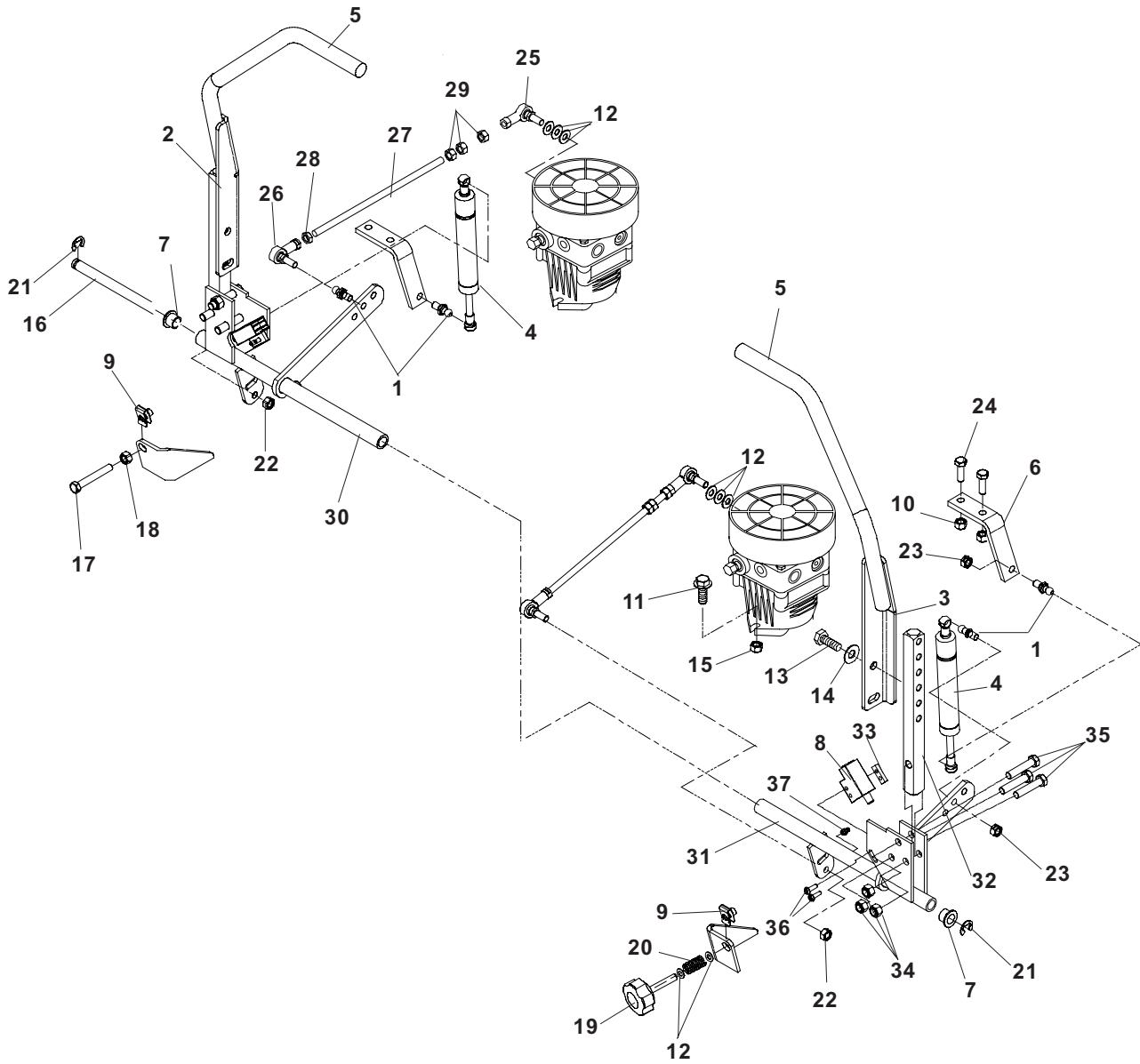
ITEM	PART NO.	QTY.	DESCRIPTION	ITEM	PART NO.	QTY.	DESCRIPTION
1....	539 101176	... 2...	PULLEY	20...	539 990209	... 2...	HCS, $\frac{5}{16}$ C x 1
2....	539 101177	... 2...	KEY, 5MM SQ x 25MM	21...	539 976695	... 1...	IDLER FLANGE BUSHING
3...	539 104334	... 1...	PUMP BELT	22...	539 990546	... 1...	NUT, $\frac{3}{8}$ C, CENTERLOCK
4...	539 103256	... 1...	SPRING	23...	539 990730	... 1...	HCS, $\frac{3}{8}$ C x $1\frac{3}{4}$
5...	539 104521	... 2...	STRUT SPACER	24...	539 976688	... 1...	IDLER PULLEY
6...	539 976998	... 3...	ZERK	25...	539 101331	... 1...	NUT, $\frac{1}{2}$ C, NYLOC
7...	539 104332	... 1...	CROSS SHAFT	26...	539 102236	... 1...	SUPPORT PLATE
8....	539 112634	... 2...	SKID PLATE	27...	539 103427	... 1...	PIVOT BUSHING
9...	539 990655	... 1...	HCS, $\frac{3}{8}$ C x $1\frac{1}{2}$	28...	539 104388	... 1...	IDLER ARM
10...	539 976979	... 2...	NUT, $\frac{3}{8}$ C, NYLOC	29...	539 990365	... 1...	PIN, COTTER, $\frac{1}{8}$ x $\frac{3}{4}$
11...	539 990613	... 1...	NUT, $\frac{3}{8}$ C, WHIZ	30...	539 990550	... 1...	WASHER, $\frac{1}{2}$
12...	539 105905	... 2...	HCS, $\frac{7}{16}$ C x 1, GR8	31...	539 103433	... 1...	HCS, $\frac{1}{2}$ C x $3\frac{1}{4}$, GR5
13...	539 990247	... 2...	LOCKWASHER, $\frac{7}{16}$	32...	539 102619	... 2...	STRUT PIN, 52"/61" DECK
14...	539 990717	... 2...	NUT, $\frac{5}{16}$ C, NYLOC	...	539 105480	... 2...	STRUT PIN, 72" DECK
15....	539 110631	... 2...	ROLL PIN, $\frac{5}{16}$	33...	539 104390	... 2...	STRUT, 52"/61" DECK
16...	539 990692	... 2...	WASHER, $\frac{5}{16}$...	539 110746	... 2...	STRUT, 72" DECK
17...	539 990517	... 5...	WASHER, $\frac{3}{8}$	34...	539 104525	... 1...	SEAT ROD
18...	539 990563	... 2...	HCS, $\frac{3}{8}$ C x 1	NOT SHOWN			
19...	539 990184	... 4...	NUT, $\frac{5}{16}$ C, CENTERLOCK	...	539 105974	... 3...	GROMMET, RUBBER

ENGINE

KOHLER

ITEM	PART NO.	QTY.	DESCRIPTION	ITEM	PART NO.	QTY.	DESCRIPTION
1...	539 990184	... 4...	NUT, $\frac{5}{16}$ C, LOCK	16...	539 103433	... 4...	HCS, $\frac{1}{2}$ C x $\frac{3}{4}$
2....	539 113781	... 4...	HCS, $\frac{5}{16}$ C x $1\frac{3}{4}$, SERR.	17...	539 101331	... 4...	NUT, $\frac{1}{2}$ C, NYLOC
3...	539 100152	... 1...	KEY	18...	539 104959	... 4...	ISOLATOR WASHER
4...	539 106057	... 1...	PULLEY	19...	539 104958	... 4...	ISOLATORS
5...	539 105406	... 1...	CLUTCH	20....	539 110093	... 1...	OIL DRAIN FITTING
6...	539 990247	... 1...	LOCKWASHER, $\frac{7}{16}$	21...	539 107937	... 1...	OIL DRAIN HOSE
7....	539 991120	... 1...	HCS, $\frac{7}{16}$ F x $2\frac{1}{2}$	22...	539 101363	... 1...	CLAMP
8...	539 106819	... 1...	CLUTCH TIE DOWN	23...	539 990580	... 1...	HCS, $\frac{1}{4}$ C x $\frac{3}{4}$
9...	539 104416	... 1...	KOHLER PIGTAIL	24...	539 990761	... 1...	NUT, $\frac{1}{4}$ C, CENTERLOCK
10...	539 105896	... 1...	MUFFLER	25...	539 107476	... 1...	SCREW, $\frac{3}{8}$ -16, TAP
11...	539 990187	... 2...	LOCKWASHER, $\frac{5}{16}$	26...	539 109603	... 1...	WASHER, EXTERNAL TOOTH
12...	539 105410	... 1...	ENGINE MOUNTS	NOT SHOWN			
13...	539 105025	... 1...	ENGINE MOUNTS	...	539 109867	... 2...	CLAMP, DOUBLE TUBE
14...	539 976934	... 2...	HCS, $\frac{5}{16}$ C x $\frac{3}{4}$	539102733	... 1...	CHOKE CONTROL
15...	539 990692	... 2...	WASHER, $\frac{5}{16}$				

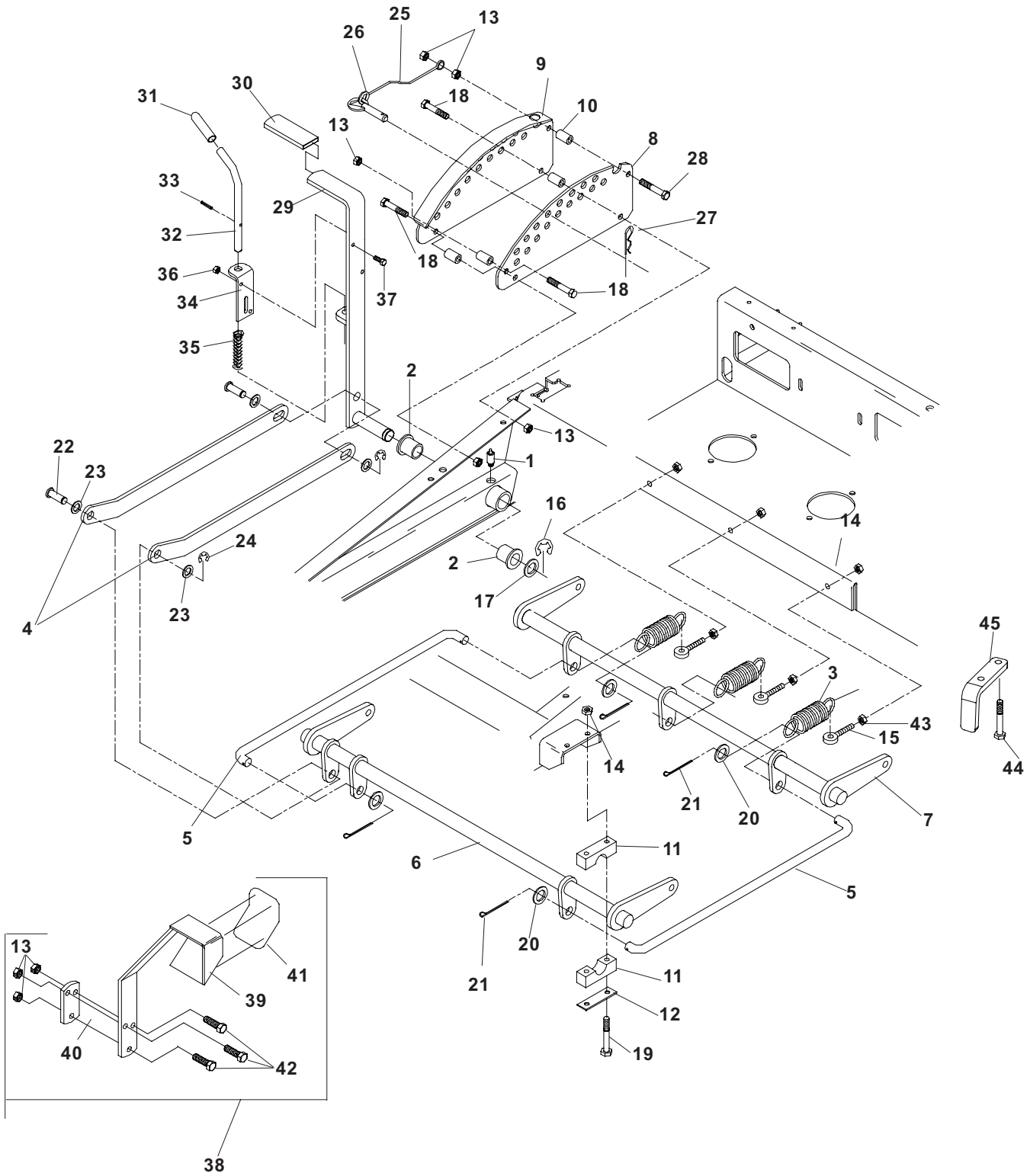
STEERING



STEERING

ITEM	PART NO.	QTY.	DESCRIPTION	ITEM	PART NO.	QTY.	DESCRIPTION
1....	539 110607	... 4...	BALL STUD	19...	539 103003	... 1...	KNOB
2....	539 110826	... 1...	DRIVE LEVER, RIGHT	20....	539 111039	... 1...	SPRING
3....	539 110827	... 1...	DRIVE LEVER, LEFT	21 ...	539 101949	... 2...	E-RING, 1/2"
4....	539 110606	... 2...	DAMPENER	22....	539 110943	... 4...	NUT, 5/16F, NYLOC
5...	539 102592	... 2...	GRIP	23...	539 990184	... 4...	NUT, 5/16C, CENTERLOCK
6....	539 111074	... 2...	DAMPENER BRACKET	24 ...	539 990209	... 4...	HCS, 5/16C x 1
7...	539 102519	... 2...	BUSHING	25....	539 110603	... 1...	ROD END, RIGHT
8...	539 101080	... 1...	INTERLOCK SWITCH	26....	539 110604	... 1...	ROD END, LEFT
9...	539 104763	... 2...	"U" CLIP, 5/16C	27 ...	539 105279	... 1...	TRACKING LINKAGE
10...	539 990717	... 4...	NUT, 5/16C, NYLOC	28 ...	539 991073	... 1...	NUT, 5/16F, LH, JAM
11 ...	539 990582	... 4...	HFCS, 3/8C x 1	29 ...	539 990223	... 3...	NUT, 5/16F
12 ...	539 990692	... 2...	WASHER, 5/16	30....	539 110636	... 1...	CONTROL, RIGHT
13...	539 990563	... 4...	HCS, 3/8C x 1	31....	539 110637	... 1...	CONTROL, LEFT
14 ...	539 102593	... 4...	SPRING WASHER, 3/8	32....	539 110638	... 1...	ARM, CONTROL SHAFT
15....	539 990546	... 4...	NUT, 3/8C, CENTERLOCK	33...	539 102678	... 1...	TAPPED PLATE
16....	539 110833	... 1...	CONTROL SHAFT	34 ...	539 976979	... 3...	NUT, 3/8 -16, NYLOC
17 ...	539 108394	... 1...	HCS, 5/16C x 1 3/4, TAPBOLT	35 ...	539 990730	... 2...	HCS, 3/8 -16 x 1 3/4, GR5
18 ...	539 990196	... 1...	NUT, 5/16C	36 ...	539 976952	... 2...	SCREW, #10-24 x 5/8, MACH.
				37 ...	539 976998	... 1...	ZERK

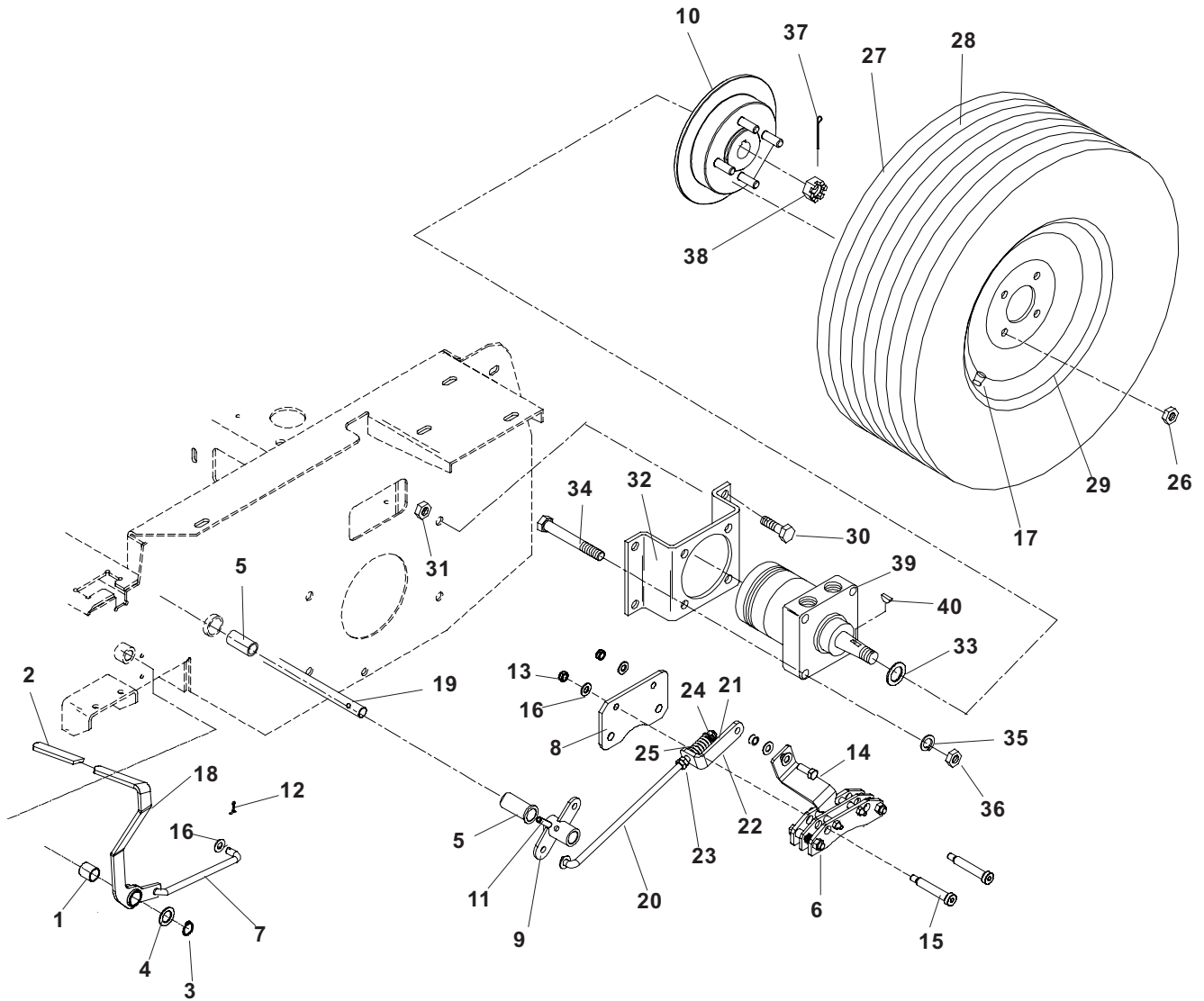
MOWER LIFT/DECK LIFT



MOWER LIFT/DECK LIFT

ITEM	PART NO.	QTY.	DESCRIPTION	ITEM	PART NO.	QTY.	DESCRIPTION
1...	539 104761	... 1...	ZERK, LONG	24...	539 105069	... 2...	E-RING, $\frac{5}{8}$
2...	539 101232	... 2...	BUSHING, FLANGE	25...	539 105059	... 1...	LANYARD
3...	539 104760	... 3...	SPRING, DECK LIFT	26...	539 102526	... 1...	PIN, HITCH
4...	539 105050	... 2...	LINKAGE, LIFT	27...	539 976989	... 1...	PIN, HAIR #4
5...	539 104310	... 2...	LINK, CONNECTING	28...	539 102612	... 1...	HCS, $\frac{3}{8}$ C x $2\frac{3}{4}$
6...	539 108355	... 1...	SHAFT, FRONT LIFT	29...	539 108322	... 1...	LEVER, LIFT
7...	539 108354	... 1...	SHAFT, REAR LIFT	30...	539 102515	... 1...	CUSHION, HANDLE
8...	539 104323	... 1...	PLATE, ADJUSTMENT	31...	539 101050	... 1...	GRIP, VINYL
9...	539 104321	... 1...	PLATE, ADJUSTMENT	32...	539 104523	... 1...	PIN, LOCKING
10...	539 104530	... 4...	SPACER, DECK LIFT	33...	539 106532	... 1...	PIN, GROOVED
11...	539 104808	... 8...	BLOCKS, PILLOW	34...	539 103534	... 1...	PIN MOUNT, UPPER
12...	539 104807	... 4...	PLATE, SUPPORT	35...	539 101058	... 1...	SPRING, COMPRESSION
13...	539 976979	... 8...	NUT, $\frac{3}{8}$ C, NYLOC	36...	539 990761	... 2...	NUT, $\frac{1}{4}$ C, CENTERLOCK
14...	539 990717	... 8...	NUT, $\frac{5}{16}$ C, NYLOC	37...	539 990580	... 2...	HCS, $\frac{1}{4}$ - 20 x $\frac{3}{4}$, GR5
15...	539 101982	... 3...	EYEBOLT, $\frac{5}{16}$ C	38...	539 105180	... 1...	LIFT PEDAL, COMPLETE
16...	539 101802	... 1...	E-RING, $\frac{7}{8}$	39...	539 105181	... 1...	PEDAL, LIFT
17...	539 923787	... 1...	BUSHING, MACHINE	40...	539 105184	... 1...	PLATE, TIGHTENING
18...	539 990637	... 3...	HCS, $\frac{3}{8}$ C x $2\frac{1}{2}$	41...	539 105187	... 1...	PAD, ANTI-SKID
19...	539 101721	... 8...	HCS, $\frac{5}{16}$ C x $2\frac{3}{4}$	42...	539 999655	... 3...	HCS, $\frac{3}{8}$ C x $1\frac{1}{2}$
20...	539 976982	... 4...	WASHER, $\frac{5}{8}$, SAE	43...	539 990585	... 3...	NUT, $\frac{5}{16}$ C, WHIZ
21...	539 990654	... 4...	PIN, COTTER	44...	539 107476	... 4...	BOLT, $\frac{3}{8}$ C x 1, THD FORMING
22...	539 105060	... 2...	PIN, CLEVIS $\frac{5}{8}$	45....	539 111075	... 2...	DECK STOP
23...	539 991043	... 4...	BUSHING, $\frac{5}{8}$, MACHINE				

PARKING BRAKE



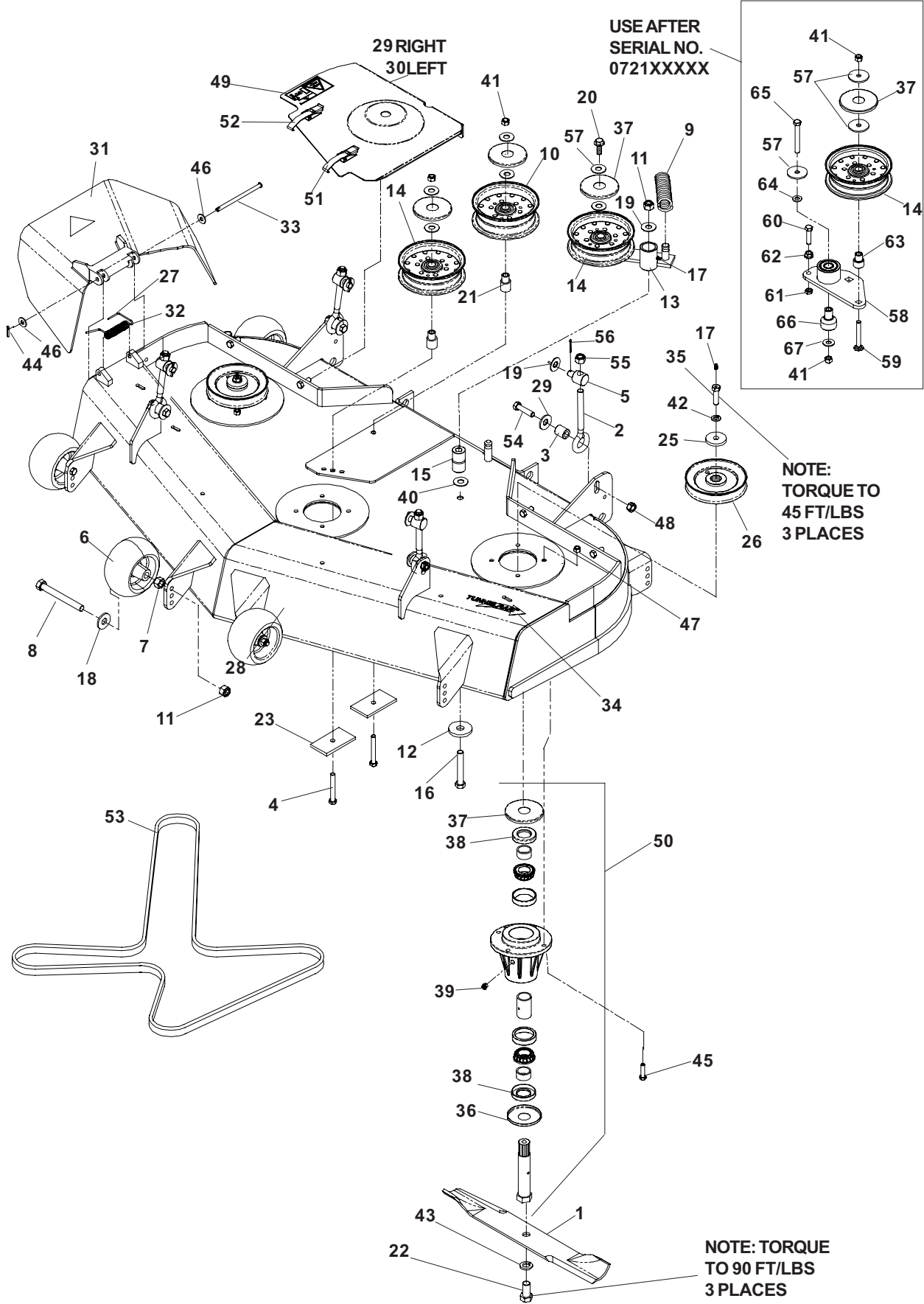
PARKING BRAKE

ITEM	PART NO.	QTY.	DESCRIPTION	ITEM	PART NO.	QTY.	DESCRIPTION
1...	539 108619	1...	BUSHING	22....	539 113950	1...	BRACKET, L
2...	539 105036	1...	GRIP	23...	539 108732	2...	NUT, $\frac{3}{8}$ -24, JAM
3....	539 101151	1...	RING, RETAINING, $\frac{7}{8}$	24...	539 990122	1...	WASHER, $\frac{3}{8}$, SAE
4...	539 923787	1...	BUSHING, MACHINE	25....	539 113952	1...	SPRING
5....	539 113479	2...	BUSHING, POLYMER, $\frac{3}{4}$ x 2	26....	539 101173	8...	NUT, LUG, $\frac{1}{2}$ F
6....	539 113944	2...	CALIPER	27...	539 105486	2...	TIRE, COMPLETE, 61" & 72"
7....	539 113947	1...	LINKAGE, BRAKE	539 112592	2...	TIRE, COMPLETE, 52"
8....	539 113948	2...	PLATE, BRAKE	28...	539 105152	1...	TIRE, 24 x 12.0-12
9....	539 113946	2...	BELLCRANK, BRAKE	539 112599	1...	TIRE, 23 x 9.5-12
10....	539 113945	2...	HUB	29...	539 105487	1...	RIM, 2 $\frac{1}{2}$ "
11....	539 110631	2...	PIN, ROLL, $\frac{5}{16}$ " DIA.	539 111149	1...	RIM, OFFSET 1"
12...	539 990037	4...	PIN, COTTER, $\frac{3}{32}$ x $\frac{3}{4}$	30...	539 990622	8...	HFCs, $\frac{1}{2}$ C x 1 $\frac{1}{4}$
13...	539 200282	6...	NUT, $\frac{3}{8}$ -16, JAM, NYLOC	31...	539 101331	8...	NUT, $\frac{1}{2}$ C, NYLOC
14...	539 990563	2...	HCS, $\frac{3}{8}$ -16 x 1, GR5	32...	539 104327	1...	STANDOFF, WHEEL MOTOR
15....	539 113951	4...	SB, $\frac{3}{8}$ -16 x 2 $\frac{1}{2}$, SKT HD	33...	539 916561	1...	BUSHING, MACHINE, 1"
16...	539 990122	12...	WASHER, $\frac{3}{8}$, SAE	34...	539 101332	4...	HCS, $\frac{1}{2}$ -13 x 2 $\frac{3}{4}$, GR5
17...	539 912234	1...	VALVE STEM	35...	539 990254	4...	LOCKWASHER, $\frac{1}{2}$
18...	539 108616	1...	BRAKE LEVER	36...	539 990258	4...	NUT, $\frac{1}{2}$ -13
19....	539 110624	1...	SHAFT, CROSS	37...	539 104288	1...	PIN, COTTER
20....	539 113949	1...	LINKAGE, REAR BRAKE	38...	539 105277	2...	CASTLE NUT
21...	539 990289	1...	NUT, $\frac{3}{8}$ -24, CTR LK, GR5	39....	539 110823	2...	WHEEL MOTOR, TL15
				40...	539 105278	2...	KEY, WOODRUFF

HYDRAULIC PUMP - MOTOR

ITEM	PART NO.	QTY.	DESCRIPTION	ITEM	PART NO.	QTY.	DESCRIPTION
1...	539 105024 ...	1...	OIL TANK	13...	539 130386 ...	1...	'T' ASSEMBLY, RETURN
2...	539 102606 ...	1...	FILTER	14...	539 104722 ...	1...	HOSE
3....	539 101165 ...	1...	FILTER HEAD	15...	539 104723 ...	1...	'T' ASSEMBLY
4...	539 101202 ...	1...	HYDRAULIC CAP	16...	539 105168 ...	1...	CAP
5...	539 990580 ...	4...	HCS, ¼C x ¾	17....	539 114834 ...	1...	PUMP W/FANS, 10CC, RIGHT
6...	539 990052 ...	2...	LOCKWASHER, ¼	18....	539 114864 ...	1...	PUMP W/FANS, 10CC, LEFT
7...	539 976978 ...	2...	NUT, ¼C, NYLOC	19....	539 103114 ...	4...	'O' RING
8...	539 101237 ...	4...	F6400-8-8-0	20....	539 103115 ...	4...	'O' RING
9...	539 102396 ...	4...	STRAIGHT FITTING	21....	539 103117 ...	6...	'O' RING
10....	539 113782 ...	2...	F6400-6-6-0	22....	539 103118 ...	8...	'O' RING
11...	539 101238 ...	4...	F6801-6-6-0	23....	539 103119 ...	8...	'O' RING
12...	539 106067 ...	4...	HYDRAULIC LINE	24...	539 106933 ...	1...	BRACKET, FILTER

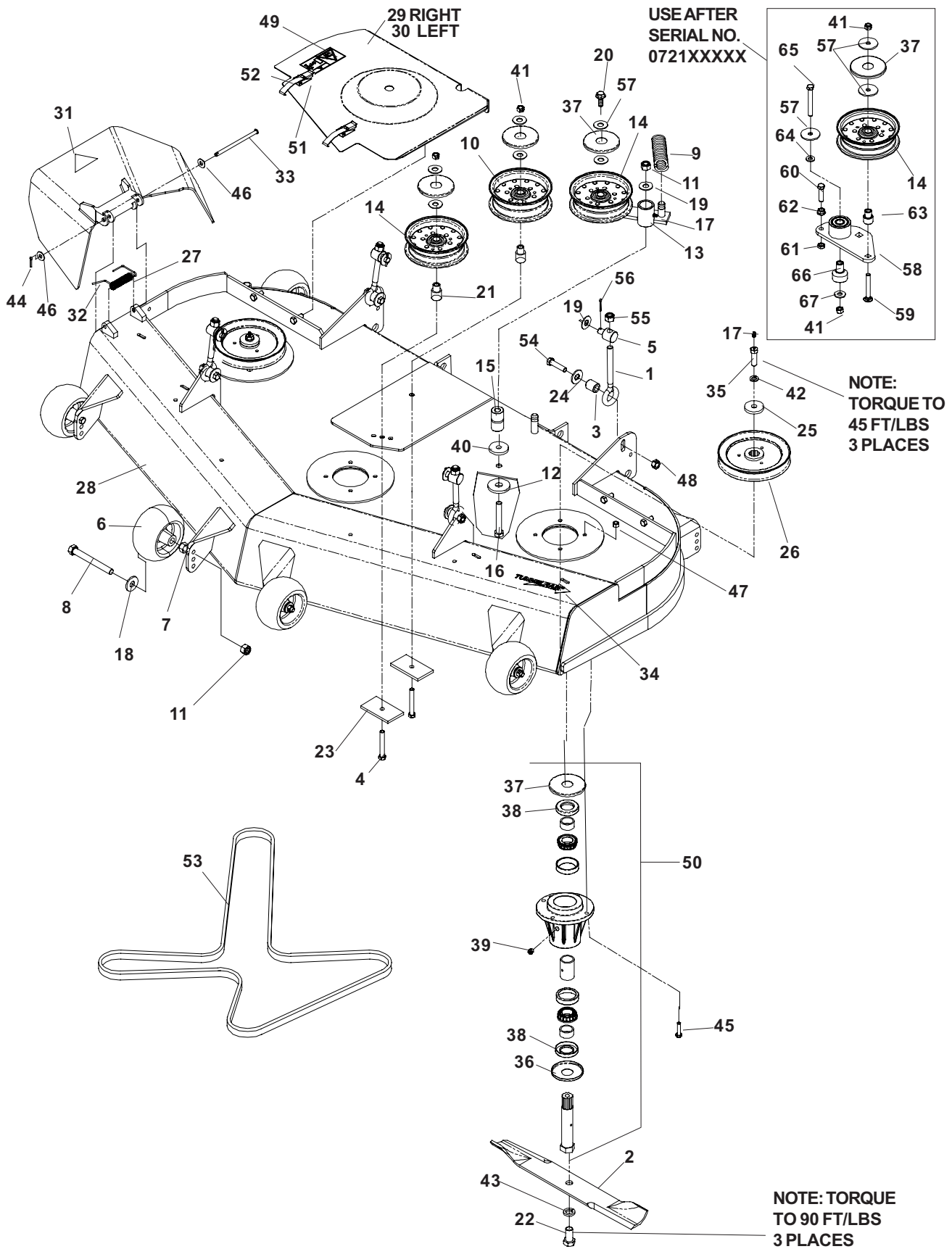
52 INCH CUTTING DECK



52 INCH CUTTING DECK

ITEM	PART NO.	QTY.	DESCRIPTION	ITEM	PART NO.	QTY.	DESCRIPTION
1 ...	539 100341	3 ...	BLADE, 18"	35	539 112120	3 ...	HCS, $\frac{7}{16}$ -20 x 1½, GR8
2	539 119227	4 ...	EYE BOLT	36 ...	539 108449	1 ...	BOTTOM DUST CAP
3	539 114404	4 ...	SPACER	37 ...	539 108450	6 ...	TOP DUST CAP
4 ...	539 102612	2 ...	HCS, $\frac{3}{8}$ -16 x 2¾,	38 ...	539 108754	2 ...	SHAFT SEAL
5	539 114405	4 ...	SWIVEL	39 ...	539 977326	1 ...	PLUG, VENTED
6 ...	539 107610	6 ...	ROLLER, ANTI SCALP	40	539 113104	1 ...	WASHER, $\frac{1}{2}$
7 ...	539 990258	6 ...	NUT, $\frac{1}{2}$ -13	41 ...	539 976979	2 ...	NUT, $\frac{3}{8}$ -16, NYLOC
8	539 118862	6 ...	HCB, $\frac{1}{2}$ -13 x 4	42 ...	539 990247	3 ...	LOCKWASHER, $\frac{7}{16}$
9 ...	539 105192	1 ...	SPRING, EXTENSION	43 ...	539 990333	3 ...	LOCKWASHER, $\frac{5}{8}$
10 ...	539 103258	1 ...	PULLEY, IDLER	44 ...	539 990365	1 ...	PIN COTTER, $\frac{1}{8}$ x $\frac{3}{4}$
11 ...	539 101331	10 ...	NUT, $\frac{1}{2}$ -13, NYLOC	45 ...	539 990627	12 ...	HCS, $\frac{5}{16}$ -18 x 1¼,
12 ...	539 102243	1 ...	WASHER, .65	46 ...	539 990692	2 ...	WASHER, $\frac{5}{16}$
13 ...	539 103230	1 ...	IDLER ARM	47 ...	539 990717	12 ...	NUT, $\frac{5}{16}$ -18, NYLOC
14 ...	539 103257	2 ...	PULLEY, IDLER	48 ...	539 990839	4 ...	NUT, $\frac{7}{16}$ -14, CNTRLK, GRA
15 ...	539 103427	1 ...	BUSHING, PIVOT	49 ...	539 105746	1 ...	DECAL, EURO SEVERING
16 ...	539 103433	1 ...	HCS, $\frac{1}{2}$ -13 x 3¼,	50	539 114820	3 ...	SPINDLE ASSEMBLY
17 ...	539 976998	4 ...	ZERK, STRAIGHT, $\frac{1}{4}$ -28	51	539 110740	4 ...	POP RIVET
18 ...	539 109554	6 ...	WASHER, $\frac{1}{2}$	52 ...	539 109660	2 ...	DRAW LATCH
19 ...	539 990550	5 ...	WASHER, $\frac{9}{16}$	53 ...	539 106884	1 ...	DECK BELT
20 ...	539 990582	1 ...	HCS, $\frac{3}{8}$ -16 x 1,	54 ...	539 108073	4 ...	HCS, $\frac{7}{16}$ -14 x 1¾,
21 ...	539 103295	2 ...	BUSHING, IDLER	55 ...	539 101331	4 ...	NUT, $\frac{1}{2}$ -13, NYLOC
22 ...	539 103299	3 ...	HCS, $\frac{5}{8}$ -18 x 1¼,	56 ...	539 109246	4 ...	PIN, COTTER, $\frac{1}{8}$ x 1
23 ...	539 103303	2 ...	PAD	57	539 111897	6 ...	WASHER, $\frac{3}{8}$, SPEC
24	539 112484	4 ...	SPRING WASHER, $\frac{1}{2}$	58 ...	539 130391	1 ...	ARM, IDLER, W/BEARINGS
25 ...	539 106504	3 ...	WASHER, .469	59 ...	539 130235	1 ...	RHSNB, $\frac{3}{8}$ -16 x 2¾,
26	539 112124	3 ...	PULLEY	60 ...	539 107042	1 ...	HCS, $\frac{3}{8}$ -16 x 1½, GR8
27 ...	539 107627	2 ...	CAP-SLEEVE	61 ...	539 109332	1 ...	NUT, $\frac{3}{8}$ -16, JAM
28	539 111377	1 ...	DECK W/DECALS	62 ...	539 990613	1 ...	NUT, $\frac{3}{8}$ -16, WHIZLK
29 ...	539 109652	1 ...	BELT SHIELD, RIGHT	63 ...	539 130242	1 ...	BUSHING, IDLER
30 ...	539 109653	1 ...	BELT SHIELD, LEFT	64 ...	539 990122	1 ...	WASHER, $\frac{3}{8}$, SAE
31	539 110733	1 ...	DISCHARGE CHUTE	65 ...	539 101341	1 ...	HCS, $\frac{3}{8}$ -16 x 3,
32	539 110735	1 ...	SPRING, TORSION	66 ...	539 130205	1 ...	PIVOT, BEARING
33	539 110736	1 ...	PIN-CLEVIS, $\frac{5}{16}$ DIA. x 5.19	67 ...	539 990517	1 ...	WASHER, $\frac{3}{8}$
34	539 111561	1 ...	DECAL, TUNNELRAM				

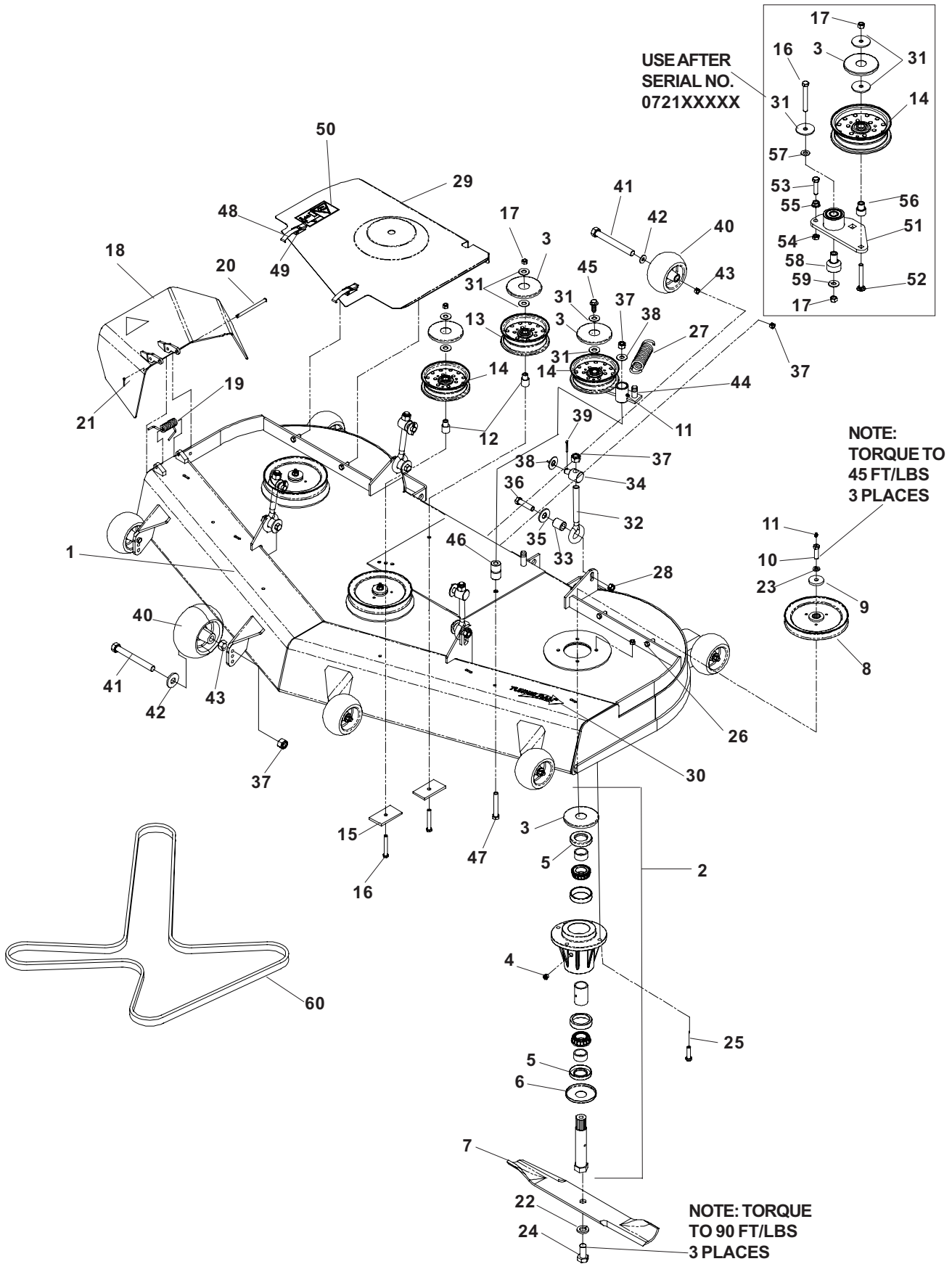
61 INCH CUTTING DECK



61 INCH CUTTING DECK

ITEM	PART NO.	QTY.	DESCRIPTION	ITEM	PART NO.	QTY.	DESCRIPTION
1	539 119227	4	EYEBOLT	35	539 112120	3	HCS, $\frac{7}{16}$ -20 x 1/2, GR8, SPEC
2	539 101733	3	BLADE, 21"	36	539 108449	1	BOTTOM DUST CAP
3	539 114404	4	SPACER	37	539 108450	6	TOP DUST CAP
4	539 102612	2	HCS, $\frac{3}{8}$ -16 x 2 $\frac{3}{4}$	38	539 108754	2	SHAFT SEAL
5	539 114405	4	SWIVEL	39	539 977326	1	PLUG, VENTED
6	539 107610	6	ROLLER, ANTI SCALP	40	539 113104	1	WASHER, $\frac{1}{2}$
7	539 990258	6	NUT, $\frac{1}{2}$ -13	41	539 976979	8	NUT, $\frac{3}{8}$ -16, NYLOC
8	539 118862	6	HCB, $\frac{1}{2}$ -13 x 4	42	539 990247	3	LOCKWASHER, $\frac{7}{16}$
9	539 105192	1	SPRING, EXTENSION	43	539 990333	3	LOCKWASHER, $\frac{5}{8}$
10	539 103258	1	PULLEY, IDLER	44	539 990365	1	PIN COTTER, $\frac{1}{8}$ x $\frac{3}{4}$
11	539 101331	10	NUT, $\frac{1}{2}$ -13, NYLOC	45	539 990627	12	HCS, $\frac{5}{16}$ -18 x 1 $\frac{1}{4}$,
12	539 102243	1	WASHER, .65	46	539 990692	2	WASHER, $\frac{5}{16}$
13	539 103230	1	IDLER ARM	47	539 990717	12	NUT, $\frac{5}{16}$ -18, NYLOC
14	539 103257	2	PULLEY, IDLER	48	539 990839	4	NUT, $\frac{7}{16}$ -14, CNTRLCK, GRA
15	539 103427	1	BUSHING, PIVOT	49	539 105746	1	DECAL, EURO SEVERING
16	539 103433	1	HCS, $\frac{1}{2}$ -13 x 3 $\frac{1}{4}$,	50	539 114820	3	SPINDLE ASSEMBLY
17	539 976998	4	ZERK, STRAIGHT, $\frac{1}{4}$ -28	51	539 110740	4	POP RIVET
18	539 109554	6	WASHER, $\frac{1}{2}$	52	539 109660	2	DRAW LATCH
19	539 990550	5	WASHER, $\frac{9}{16}$	53	539 108656	1	DECK BELT
20	539 990582	1	HCS, $\frac{3}{8}$ -16 x 1,	54	539 108073	4	HCS, $\frac{7}{16}$ -14 x 1 $\frac{3}{4}$
21	539 103295	2	BUSHING, IDLER	55	539 101331	4	NUT, $\frac{1}{2}$ -13, NYLOC
22	539 103299	3	HCS, $\frac{5}{8}$ -18 x 1 $\frac{1}{4}$,	56	539 109246	4	PIN COTTER, $\frac{1}{8}$ x 1
23	539 103303	2	PAD	57	539 111897	6	WASHER, $\frac{3}{8}$, SPEC
24	539 112484	4	SPRING WASHER, $\frac{1}{2}$	58	539 130391	1	ARM, IDLER, W/BEARINGS
25	539 106504	3	WASHER, .469	59	539 130235	1	RHSNB, $\frac{3}{8}$ -16 x 2 $\frac{3}{4}$,
26	539 107278	3	PULLEY	60	539 107042	1	HCS, $\frac{3}{8}$ -16 x 1 $\frac{1}{2}$, GR8
27	539 107627	2	CAP-SLEEVE	61	539 109332	1	NUT, $\frac{3}{8}$ -16, JAM
28	539 111378	1	DECK W/DECALS	62	539 990613	1	NUT, $\frac{3}{8}$ -16, WHIZLK
29	539 109493	1	BELT SHIELD, RIGHT	63	539 130242	1	BUSHING, IDLER
30	539 109494	1	BELT SHIELD, LEFT	64	539 990122	1	WASHER, $\frac{3}{8}$, SAE
31	539 110734	1	DISCHARGE CHUTE	65	539 101341	1	HCS, $\frac{3}{8}$ -16 x 3,
32	539 110735	1	SPRING, TORSION	66	539 130205	1	PIVOT, BEARING
33	539 110736	1	PIN-CLEVIS, $\frac{5}{16}$ DIA. x 5.19	67	539 990517	1	WASHER, $\frac{3}{8}$
34	539 111561	1	DECAL, TUNNELRAM				

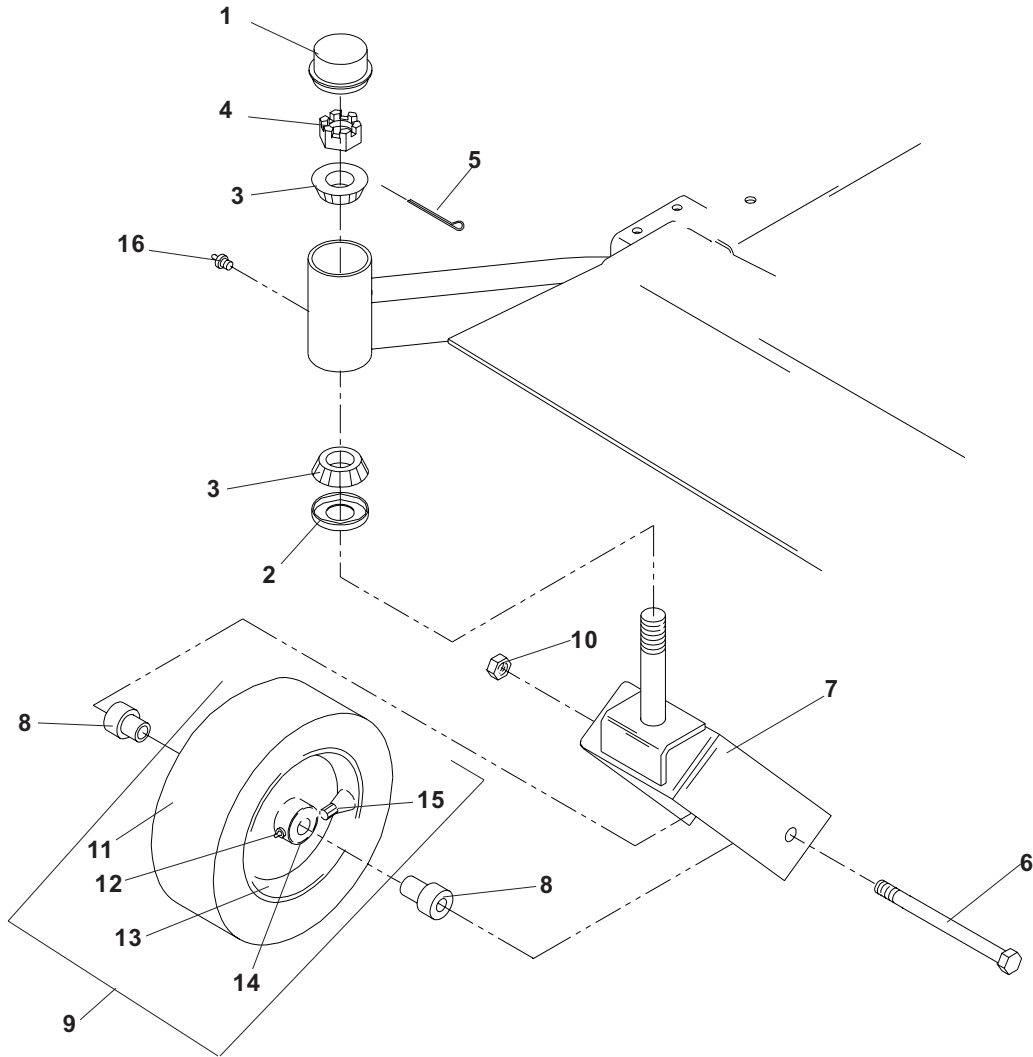
72 INCH CUTTING DECK



72 INCH CUTTING DECK

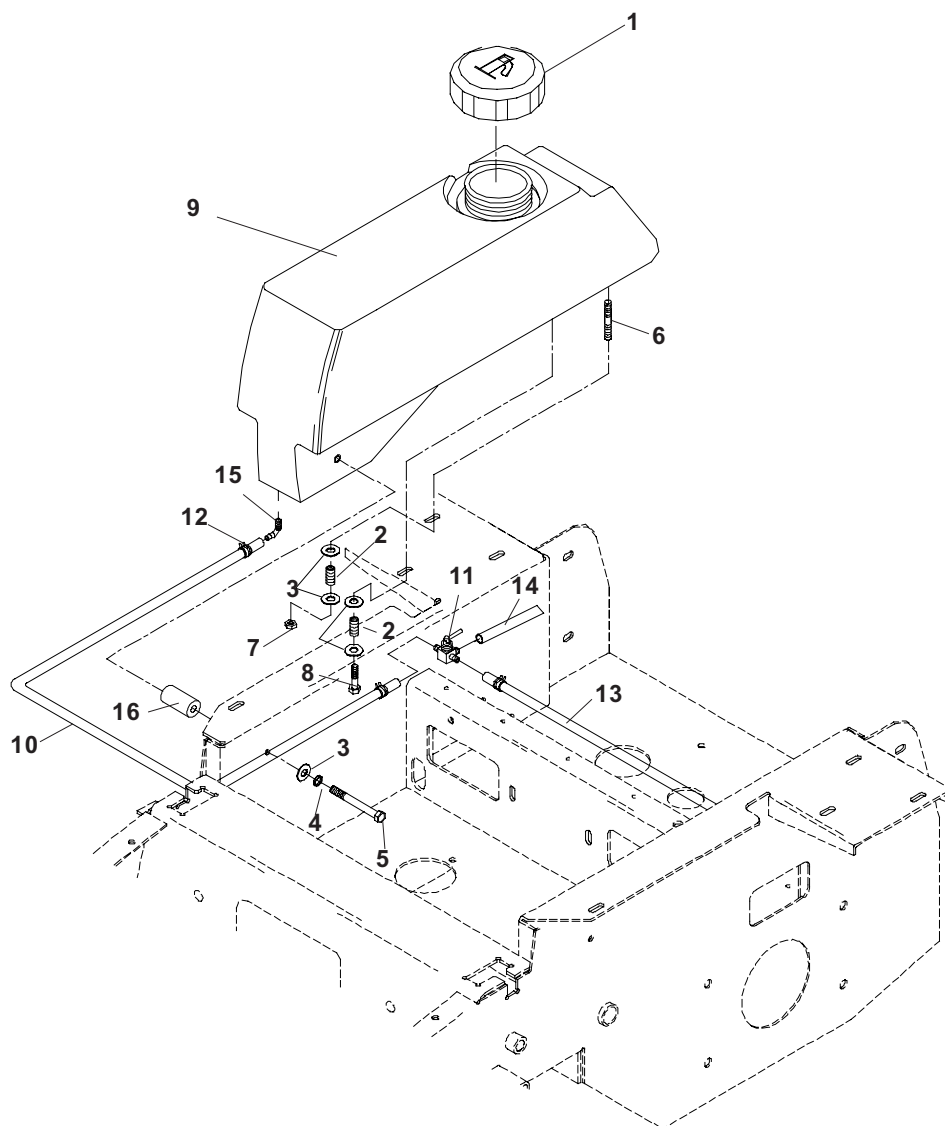
ITEM	PART NO.	QTY.	DESCRIPTION	ITEM	PART NO.	QTY.	DESCRIPTION
1....	539 111379	... 1 ...	DECK W/DECALS	31....	539 111897	... 6 ...	WASHER, $\frac{3}{8}$, SPECIAL
2....	539 114821	... 3 ...	SPINDLE	32....	539 119227	... 4 ...	EYEBOLT
3...	539 108450	... 7 ...	DUST CAP, TOP	33....	539 114404	... 4 ...	SPACER
4...	539 977326	... 3 ...	PLUG, VENTED	34....	539 114405	... 4 ...	SWIVEL
5...	539 108754	... 2 ...	SEAL, SHAFT	35....	539 112484	... 4 ...	SPRING WASHER, $\frac{1}{2}$
6...	539 108449	... 3 ...	DUST CAP, BOTTOM	36...	539 108073	... 4 ...	HCS, $\frac{7}{16}$ -14 x $1\frac{3}{4}$,
7...	539 105476	... 3 ...	BLADE, 25"	37...	539 101331	. 12 ...	NUT, $\frac{1}{2}$, NYLOC
8....	539 112126	... 3 ...	PULLEY, 72"	38...	539 990550	... 5 ...	WASHER, $\frac{1}{2}$
9...	539 106504	... 3 ...	HEAVY WASHER	39...	539 109246	... 4 ...	PIN, COTTER, $\frac{1}{8}$ x 1
10....	539 112120	... 3 ...	HCS, $\frac{7}{16}$ -20 x $1\frac{1}{2}$, GR8, SPEC.	40...	539 107610	... 7 ...	WHEEL GAUGE
11...	539 976998	... 4 ...	ZERK	41...	539 108367	... 7 ...	HCS, $\frac{1}{2}$ -13 x $4\frac{1}{2}$
12...	539 103295	... 2 ...	IDLER BUSHING	42...	539 109554	... 7 ...	WASHER, $\frac{1}{2}$
13...	539 103258	... 1 ...	IDLER PULLEY (TALL)	43...	539 990258	... 7 ...	NUT, $\frac{1}{2}$ -13
14...	539 103257	... 2 ...	IDLER PULLEY	44...	539 103230	... 1 ...	IDLER ARM
15....	539 103303	... 2 ...	PAD	45...	539 976941	... 1 ...	HCS, $\frac{3}{8}$ -16 x $1\frac{1}{4}$,
16...	539 101341	... 2 ...	HCS, $\frac{3}{8}$ -16 x 3,	46...	539 103427	... 1 ...	PIVOT BUSHING
17...	539 976979	... 2 ...	NUT, $\frac{3}{8}$ -16, NYLOC	47...	539 103433	... 1 ...	HCS, $\frac{1}{2}$ -13 x $3\frac{1}{4}$,
18...	539 109428	... 1 ...	CHUTE	48...	539 109660	... 2 ...	DRAW LATCH
19....	539 110737	... 1 ...	SPRING, TORSION	49....	539 110740	... 4 ...	BLIND RIVET
20....	539 110739	... 1 ...	PIN, CLEVIS, $\frac{5}{16}$ x $\frac{11}{16}$	50...	539 105746	... 1 ...	DECAL, EURO, SEVERING
21...	539 990365	... 1 ...	PIN, COTTER, $\frac{1}{8}$ x $\frac{3}{4}$	51...	539 130391	... 1 ...	ARM, IDLER, W/BEARINGS
22...	539 990333	... 3 ...	LOCKWASHER, $\frac{5}{8}$	52...	539 130235	... 1 ...	RHSNB, $\frac{3}{8}$ -16 x $2\frac{3}{4}$,
23...	539 990247	... 3 ...	LOCKWASHER, $\frac{7}{16}$	53...	539 107042	... 1 ...	HCS, $\frac{3}{8}$ -16 x $1\frac{1}{2}$, GR8
24...	539 103299	... 3 ...	HCS, $\frac{5}{8}$ -18 x $1\frac{1}{4}$,	54...	539 109332	... 1 ...	NUT, $\frac{3}{8}$ -16, JAM
25...	539 990627	. 12 ...	HCS, $\frac{5}{16}$ -18 x $1\frac{1}{4}$,	55...	539 990613	... 1 ...	NUT, $\frac{3}{8}$ -16, WHIZLK
26...	539 990717	. 12 ...	NUT, $\frac{5}{16}$ -18, NYLOC	56...	539 130242	... 1 ...	BUSHING, IDLER
27...	539 105192	... 1 ...	SPRING	57...	539 990122	... 1 ...	WASHER, $\frac{3}{8}$, SAE
28...	539 990839	... 4 ...	NUT, $\frac{7}{16}$ -14, CTRLK, GRA	58...	539 130205	... 1 ...	PIVOT, BEARING
29....	539 110743	... 1 ...	BELT SHIELD, RIGHT	59...	539 990517	... 1 ...	WASHER, $\frac{3}{8}$
....	539 110744	... 1 ...	BELT SHIELD, LEFT	60...	539 105477	... 1 ...	BELT
30....	539 111561	... 1 ...	DECAL, TUNNEL RAM				

CASTERS



ITEM	PART NO.	QTY.	DESCRIPTION	ITEM	PART NO.	QTY.	DESCRIPTION
1...	539 102535	... 2...	CAP, GREASE	10...	539 101331	... 2...	NUT, ½C, NYLOC
2...	539 102852	... 2...	NUT, 1"C, CASTLE	11...	539 105522	... 2...	TIRE
3...	539 102889	... 2...	PIN, COTTER, ⅛ x 2	12...	539 103300	... 2...	ZERK
4...	539 102851	... 2...	SEAL	13...	539 105523	... 2...	RIM
5...	539 102543	... 4...	BEARING	14...	539 105524	... 4...	SEALS
6...	539 105517	... 1...	HCS, ½ - 13 x 9½,	15...	539 912234	... 2...	AIR VALVE
7...	539 105982	... 1...	YOKE, CASTER	16...	539 101474	... 2...	ZERK
8...	539 105518	... 2...	SPACER, AXLE	NOT SHOWN			
9...	539 105521	... 2...	TIRE & WHEEL, COMPLETE	...	539 105525	... 4...	BEARING, TAPERED

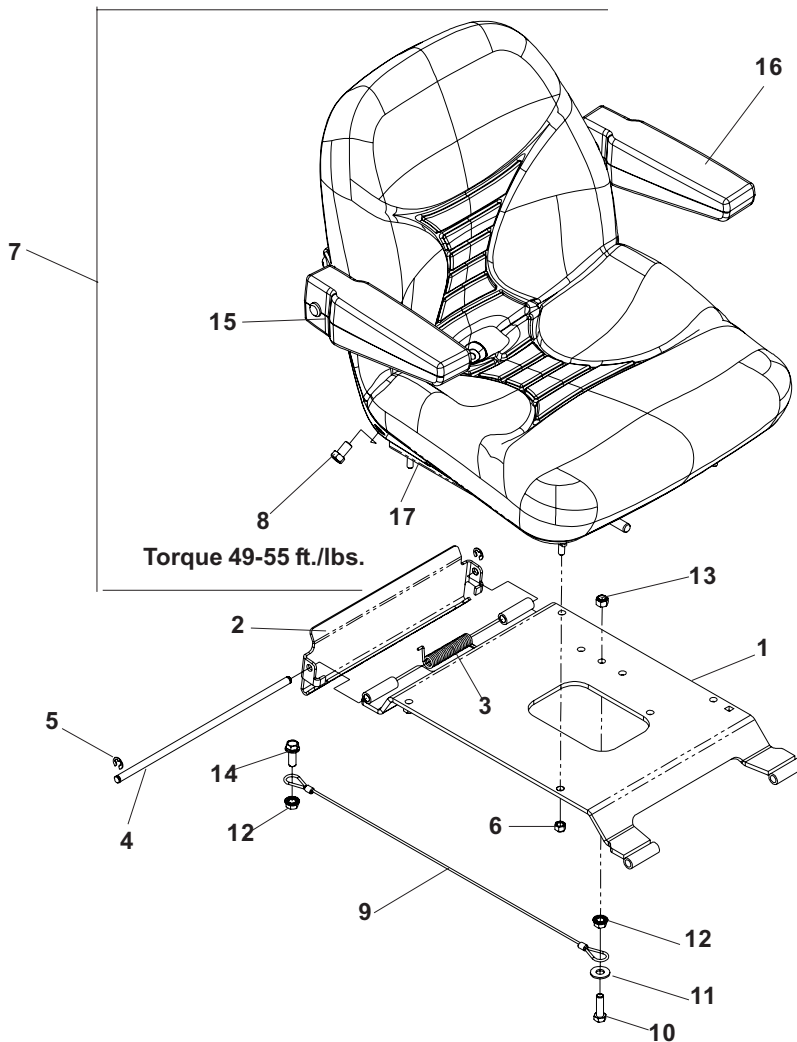
FUEL SYSTEM



ITEM	PART NO.	QTY.	DESCRIPTION	ITEM	PART NO.	QTY.	DESCRIPTION			
1...	539 106188	2...	CAP, FUEL	10...	539 922091	1...	FUEL LINE			
2...	539 102845	8...	SPRING	11...	539 102679	1...	VALVE, FUEL			
3...	539 990692	18...	WASHER, ⁵ / ₁₆	12...	539 912222	6...	CLAMP, HOSE			
4...	539 990187	4...	LOCKWASHER, ⁵ / ₁₆	13...	539 105280	1...	FUEL LINE			
5...	539 102335	2...	HCS, ⁵ / ₁₆ C x 4	14...	539 108212	1...	FUEL LINE, 13"			
6...	539 102502	6...	STUD	15...	539 102650	2...	HOSE BARB			
7...	539 990184	2...	NUT, ⁵ / ₁₆ C, CENTERLOCK	16...	539 104897	2...	SPACER, TANK			
8...	539 990209	2...	HCS, ⁵ / ₁₆ C x 1	NOT SHOWN			...	539 102670	1...	DECAL, FUEL VALVE
9...	539 104410	1...	FUEL TANK, RIGHT							
	539 104409	1...	FUEL TANK, LEFT							

SEAT

MODEL: 968999271

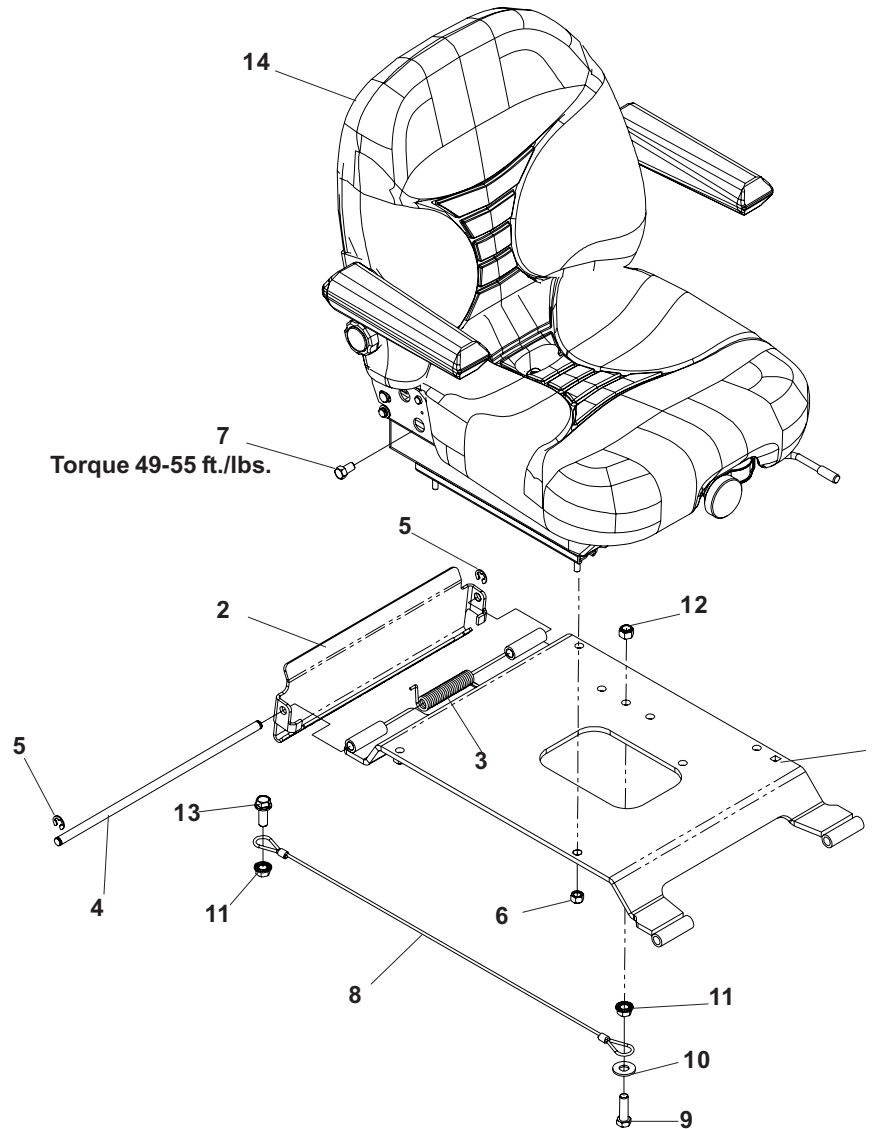


ITEM	PART NO.	QTY.	DESCRIPTION
1...	539 130367	... 1...	PAN, SEAT
2....	539 110644	... 1...	LATCH, SEAT
3....	539 110645	... 1...	SPRING, TORSION
4....	539 110646	... 1...	ROD, SEAT LATCH
5...	539 990870	... 2...	RING, RETAINING
6...	539 990717	... 4...	NUT, $\frac{5}{16}$ -18, NYLOC
7....	539 111946	... 1...	SEAT
8....	539 112034	... 2...	HCS, $\frac{7}{16}$ -20 x $\frac{3}{4}$,
9...	539 103247	... 1...	LANYARD, SEAT
10...	539 976941	... 1...	HCS, $\frac{3}{8}$ -16 x $1\frac{1}{4}$,

ITEM	PART NO.	QTY.	DESCRIPTION
11 ...	539 990517	... 1...	WASHER, $\frac{3}{8}$
12 ...	539 990613	... 2...	NUT, $\frac{3}{8}$ -16, WHIZLK
13 ...	539 976979	... 1...	NUT, $\frac{3}{8}$ -16, NYLOC
14 ...	539 990582	... 1...	HCS, $\frac{3}{8}$ -16 x 1, WHIZLK,
15	539 112035	... 1...	ARM, RIGHT
16	539 112036	... 1...	ARM, LEFT
17	539 112037	... 1...	TRACKADJUSTMENT KIT
NOT SHOWN			
....	539 111026	... 1...	SEAT BELT
...	539 108745	... 1...	SWITCH/SNAP MOUNT KIT

SEAT

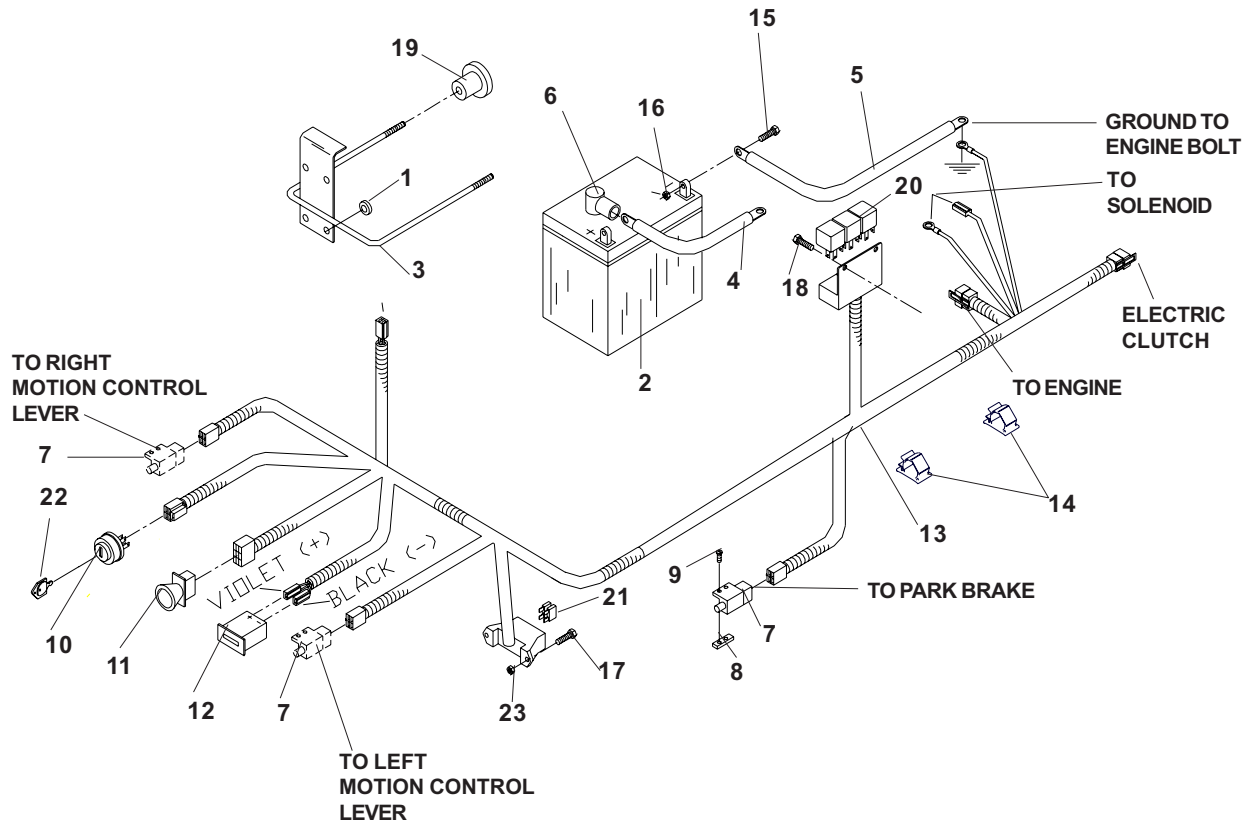
MODELS: 968999309, 968999311, 968999314



ITEM	PART NO.	QTY.	DESCRIPTION
1...	539 130367	1...	PAN, SEAT
2....	539 110644	1...	LATCH, SEAT
3....	539 110645	1...	SPRING, TORSION
4....	539 110646	1...	ROD, SEAT LATCH
5...	539 990870	2...	RING, RETAINING
6...	539 990717	4...	NUT, $\frac{5}{16}$ -18, NYLOC
7....	539 112034	2...	HCS, $\frac{7}{16}$ -20 x $\frac{3}{4}$,
8...	539 103247	1...	LANYARD, SEAT

ITEM	PART NO.	QTY.	DESCRIPTION
9...	539 976941	1...	HCS, $\frac{3}{8}$ -16 x $1\frac{1}{4}$,
10...	539 990517	1...	WASHER, $\frac{3}{8}$
11...	539 990613	2...	NUT, $\frac{3}{8}$ -16, WHIZLK
12...	539 976979	1...	NUT, $\frac{3}{8}$ -16, NYLOC
13...	539 990582	1...	HCS, $\frac{3}{8}$ -16 x 1, WHIZLK,
14...	539 107859	1...	SEAT, SUSPENSION
NOT SHOWN			
....	539 111026	1...	SEAT BELT

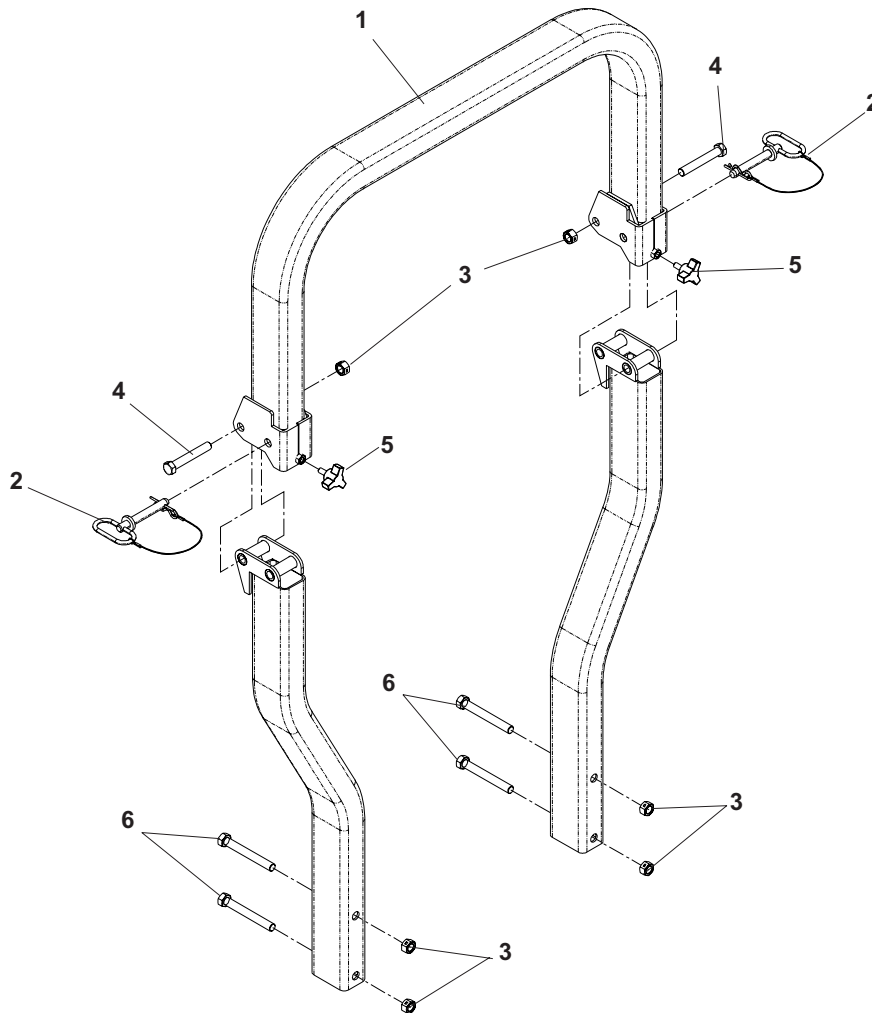
ELECTRICAL



ITEM	PART NO.	QTY.	DESCRIPTION	ITEM	PART NO.	QTY.	DESCRIPTION
1...	539 102587	4...	BUMPER	13....	539 110950	1...	HARNES, FRAME
2...	539 102436	1...	BATTERY, DRY	14....	539 110815	2...	PUSH MOUNT, WIRE CLIP
3...	539 105728	1...	BATTERY HOLD DOWN	15...	539 976934	2...	HCS, $\frac{5}{16}$ C x $\frac{3}{4}$
4...	539 104974	1...	CABLE, POSITIVE, LONG	16...	539 990717	2...	NUT, $\frac{5}{16}$ C, NYLOC
5...	539 102758	1...	CABLE, NEGATIVE	17...	539 102617	2...	SCREW, #10-24 x $\frac{7}{8}$
6...	539 102759	2...	INSULATOR	18...	539 991034	2...	SCREW, SELF TAPPING
7...	539 101080	3...	SWITCH, INTERLOCK	19...	539 105169	2...	KNOB
8...	539 102678	1...	PLATE, TAPPED	20...	539 102914	3...	RELAY
9...	539 976952	2...	SCREW, #10-24 x $\frac{5}{8}$	21...	539 101771	1...	FUSE, 7.5 AMP 32V ATO
10...	539 107541	1...	SWITCH, IGNITION	22...	539 107544	1...	KEY, IGNITION, PADDED
11...	539 101768	1...	SWITCH, BLADE	23...	539 976977	2...	NUT, #10-24, NYLOC
12....	539 110074	1...	METER, HOUR				

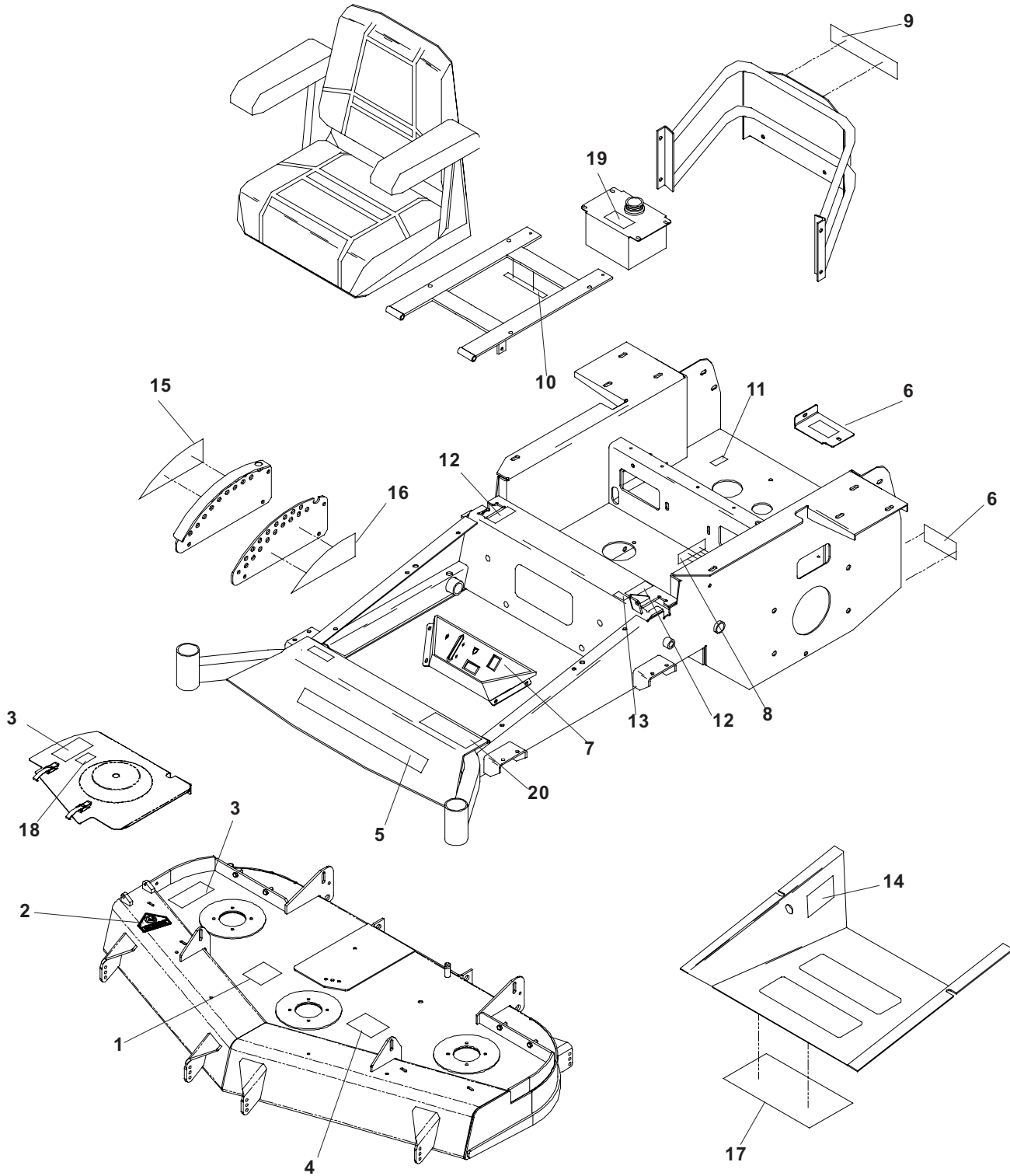
PROTECTION FRAME

ROPS



ITEM	PART NO.	QTY.	DESCRIPTION	ITEM	PART NO.	QTY.	DESCRIPTION
1....	539 111444	1...	ROPS W/SEAT BELT, COMPLETE	4...	539 103433	2...	HCS, 1/2C x 3/4, GR5
2....	539 111036	2...	PIN W/LANYARD, 1/2"	5....	539 104411	2...	KNOB W/STUD
3...	539 200100	6...	NUT, 1/2-13, CENTERLOCK	6...	539 108366	4...	HCS, 1/2C x 4, GR5

DECALS

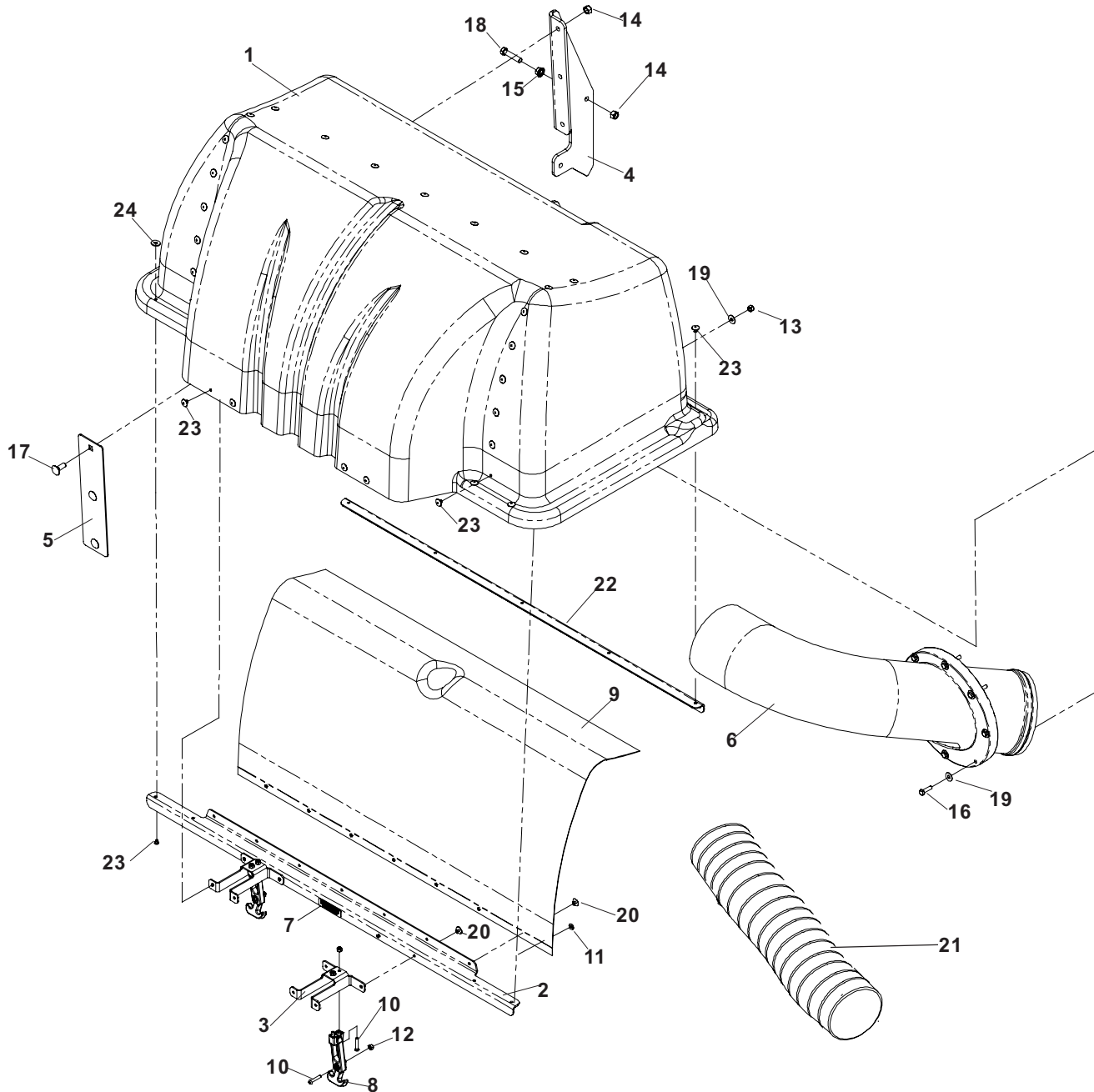


DECALS

ITEM	PART NO.	QTY.	DESCRIPTION	ITEM	PART NO.	QTY.	DESCRIPTION
1...	539 105232	... 1...	DECAL, ANTI-SCALP	14....	539 111575	... 1...	DECAL, WARNING
2...	539 913010	... 1...	DECAL, DANGER	15...	539 104898	... 1...	DECAL, HEIGHT
3...	539 105746	... 2...	DECAL, WARNING	16...	539 104899	... 1...	DECAL, HEIGHT
4...	539 105012	... 1...	DECAL, BELT ROUTING	17....	539 105011	... 1...	DECAL, SERVICE
5....	539 111046	... 1...	DECAL, HUSQVARNA	18...	539 105743	... 2...	DECAL, NO STEP
6...	539 105744	... 2...	DECAL, BELT DRIVES	19....	539 114832	... 1...	DECAL, OIL TANK
7....	539 110956	... 1...	DECAL, CONSOLE	20....	539 111120	... 1...	DECAL, LZ6127
8....	539 111597	... 1...	DECAL, RELAYS	539 112701	... 1...	DECAL, LZ5227
9....	539 111055	... 1...	DECAL, HUSQVARNA	539 112702	... 1...	DECAL, LZ6130
10...	539 105745	... 1...	DECAL, BATTERY	539 112703	... 1...	DECAL, LZ7230
11...	539 101881	... 1...	DECAL, PROP. 65	NOT SHOWN			
12...	539 103333	... 2...	DECAL, MOTION CONTROL	...	539 100128	... 1...	DECAL, EXHAUST
13....	539 110974	... 1...	DECAL, H.S.T.				

ACCESSORY

HCS13 COLLECTION HOOD



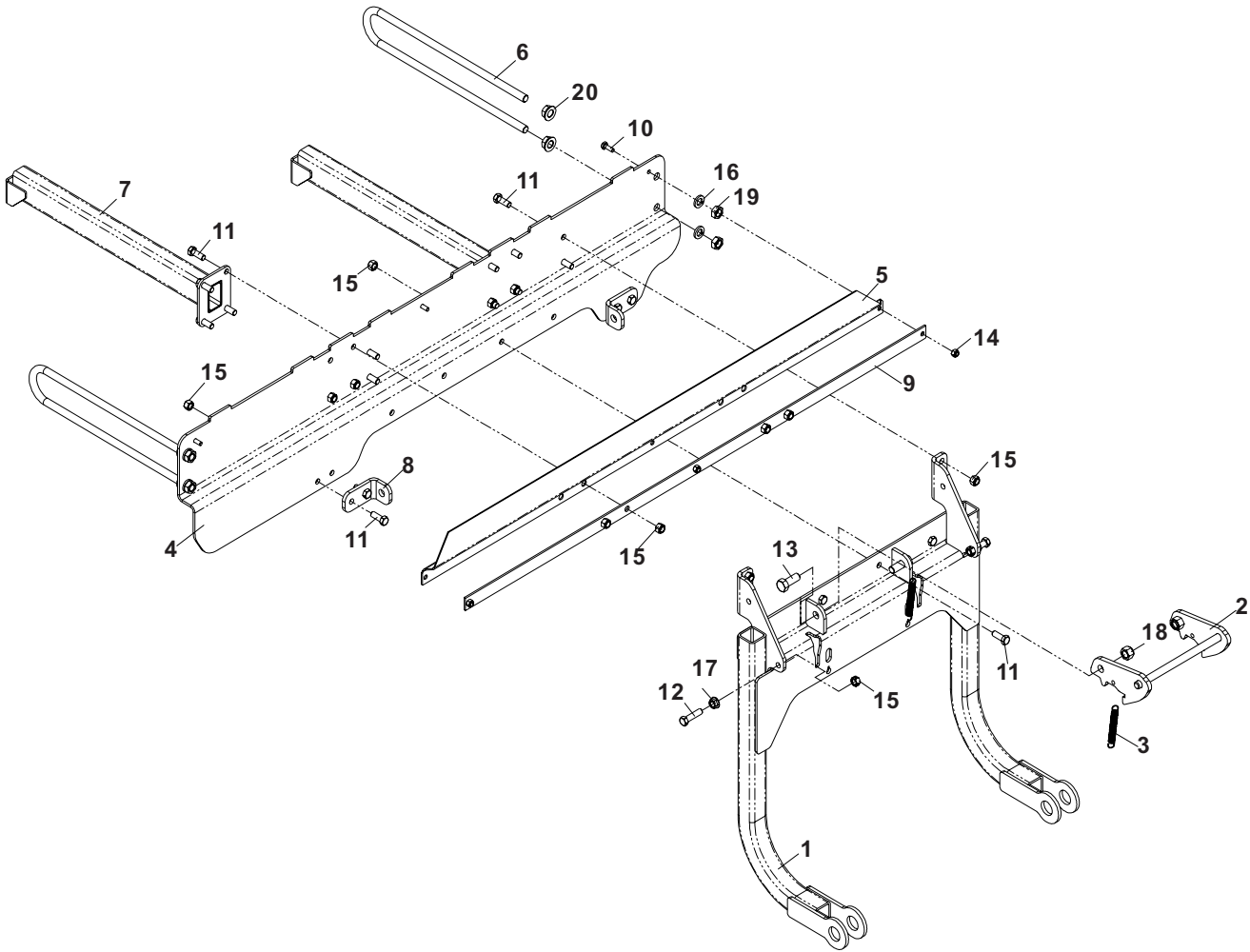
ACCESSORY

HCS13 COLLECTION HOOD

ITEM	PART NO.	QTY.	DESCRIPTION	ITEM	PART NO.	QTY.	DESCRIPTION
1....	539 111172	... 1...	HOOD	14 ...	539 976979	... 8...	NUT, $\frac{3}{8}$ C, NYLOC
2....	539 111174	... 1...	HOOD SUPPORT	15 ...	539 990613	... 2...	NUT, $\frac{3}{8}$ C
3....	539 111175	... 2...	SUPPORT, DRAW LATCH	16 ...	539 991003	... 8...	HCS, $\frac{1}{4}$ -20 x $1\frac{3}{4}$
4....	539 111177	... 2...	HOOD HINGE	17 ...	539 990645	... 6...	RHSNB, $\frac{3}{8}$ -16 x 1
5....	539 111181	... 2...	MOUNT PLATE	18 ...	539 990730	... 2...	HCS, $\frac{3}{8}$ -16 x $1\frac{3}{4}$
6....	539 111182	... 1...	INLET TUBE	19 ...	539 990598	. 16...	WASHER, $\frac{1}{4}$
7....	539 111260	... 1...	DECAL, VENTILATION	20 ...	539 102744	. 11 ...	RIVET, $\frac{3}{16}$ x $\frac{1}{4}$
8...	539 200478	... 2...	DRAW LATCH, FLEX T-HNDLE	21	539 111287	... 1...	HOSE, 58", MODEL HCS13
9....	539 111183	... 1...	MESH, POLY DIAMOND	539 111755	... 1...	HOSE, MODEL HCS1372
10....	539 111186	... 6...	SCREW, #10-24 x $1\frac{1}{8}$, MACH.	22....	539 111339	... 1...	HOOD SUPPORT, REAR
11 ...	539 105408	. 21 ...	WASHER, #10	23...	539 200684	. 30...	RIVET, $\frac{1}{4}$ STAVEX
12...	539 976977	... 6...	NUT, #10-24, NYLOC	24....	539 110033	... 8...	WASHER, #10
13...	539 976978	... 8...	NUT, $\frac{1}{4}$ C, NYLOC				

ACCESSORY

HCS13 COLLECTION HITCH



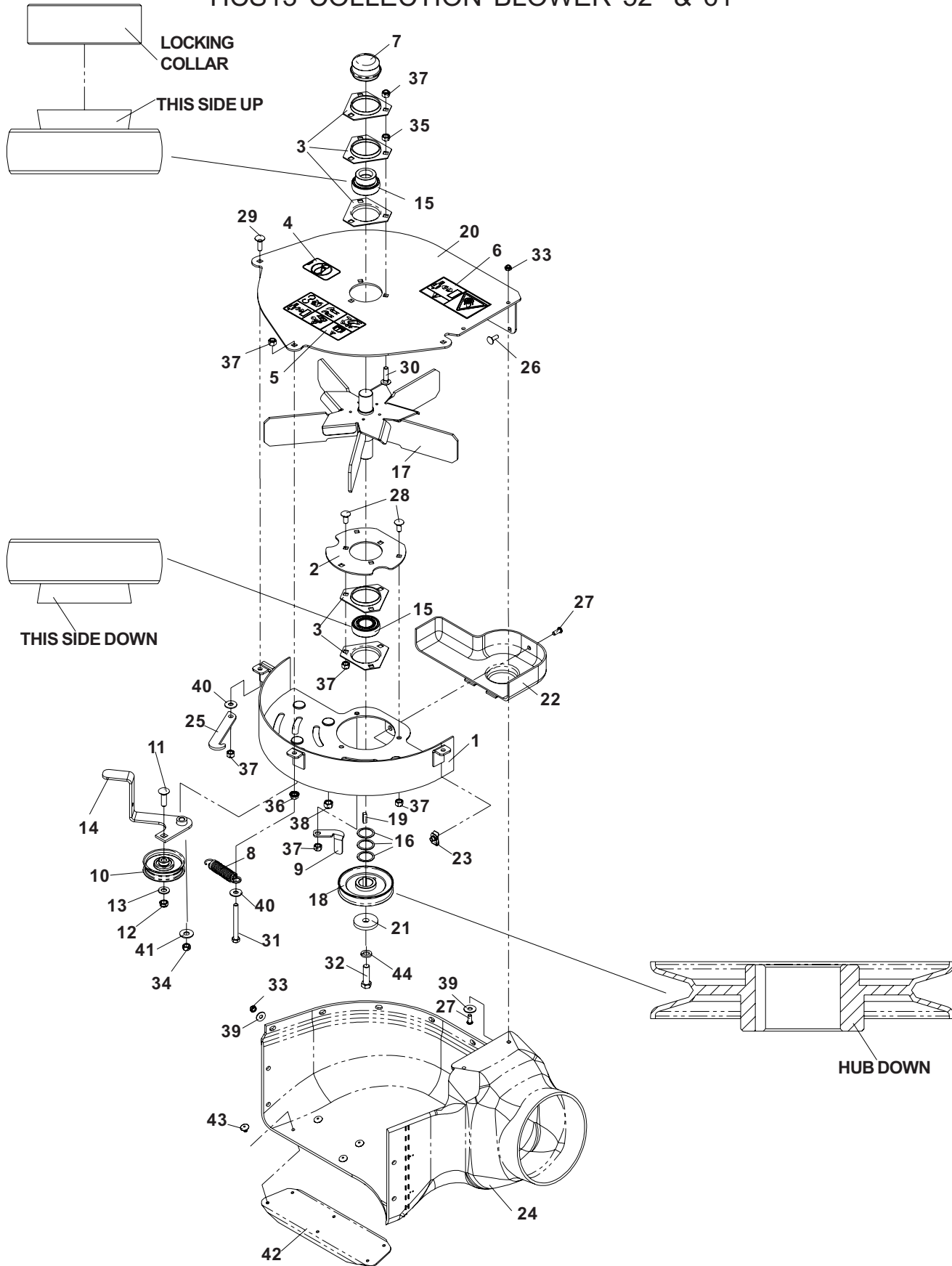
ACCESSORY

HCS13 COLLECTION HITCH

ITEM	PART NO.	QTY.	DESCRIPTION	ITEM	PART NO.	QTY.	DESCRIPTION
1....	539 111155	... 1...	HITCH	12...	539 990655	... 2...	HCS, $\frac{3}{8}$ -16 x $1\frac{1}{2}$
2....	539 111190	... 1...	LATCH	13...	539 108369	... 2...	HCS, $\frac{1}{2}$ -13 x $1\frac{1}{4}$
3...	539 977250	... 2...	SPRING	14...	539 976978	... 3...	NUT, $\frac{1}{4}$ C, NYLOC
4....	539 111157	... 1...	MOUNT Z BRACE	15...	539 976979	. 22...	NUT, $\frac{3}{8}$ C, NYLOC
5....	539 111167	... 1...	SEAL, RUBBER	16...	539 990254	... 4...	WASHER, $\frac{1}{2}$
6....	539 111158	... 2...	SUPPORT, OUTER	17...	539 990613	... 2...	NUT, $\frac{3}{8}$ C
7....	539 111162	... 2...	SUPPORT ARM	18...	539 101331	... 2...	NUT, $\frac{1}{2}$ C, NYLOC
8....	539 111267	... 2...	BRACKET, SUPPORT	19...	539 990625	... 4...	NUT, $\frac{1}{2}$, JAM
9....	539 111171	... 1...	SEAL STRAP	20....	539 111187	... 4...	NUT, $\frac{1}{2}$ -13, WHIZLOCK
10...	539 990580	... 3...	HCS, $\frac{1}{4}$ -20 x $\frac{3}{4}$	NOT SHOWN			
11...	539 990563	. 20...	HCS, $\frac{3}{8}$ -16 x 1	... 539 917150	... 1...	DECAL, PATENT PENDING	

ACCESSORY

HCS13 COLLECTION BLOWER 52" & 61"



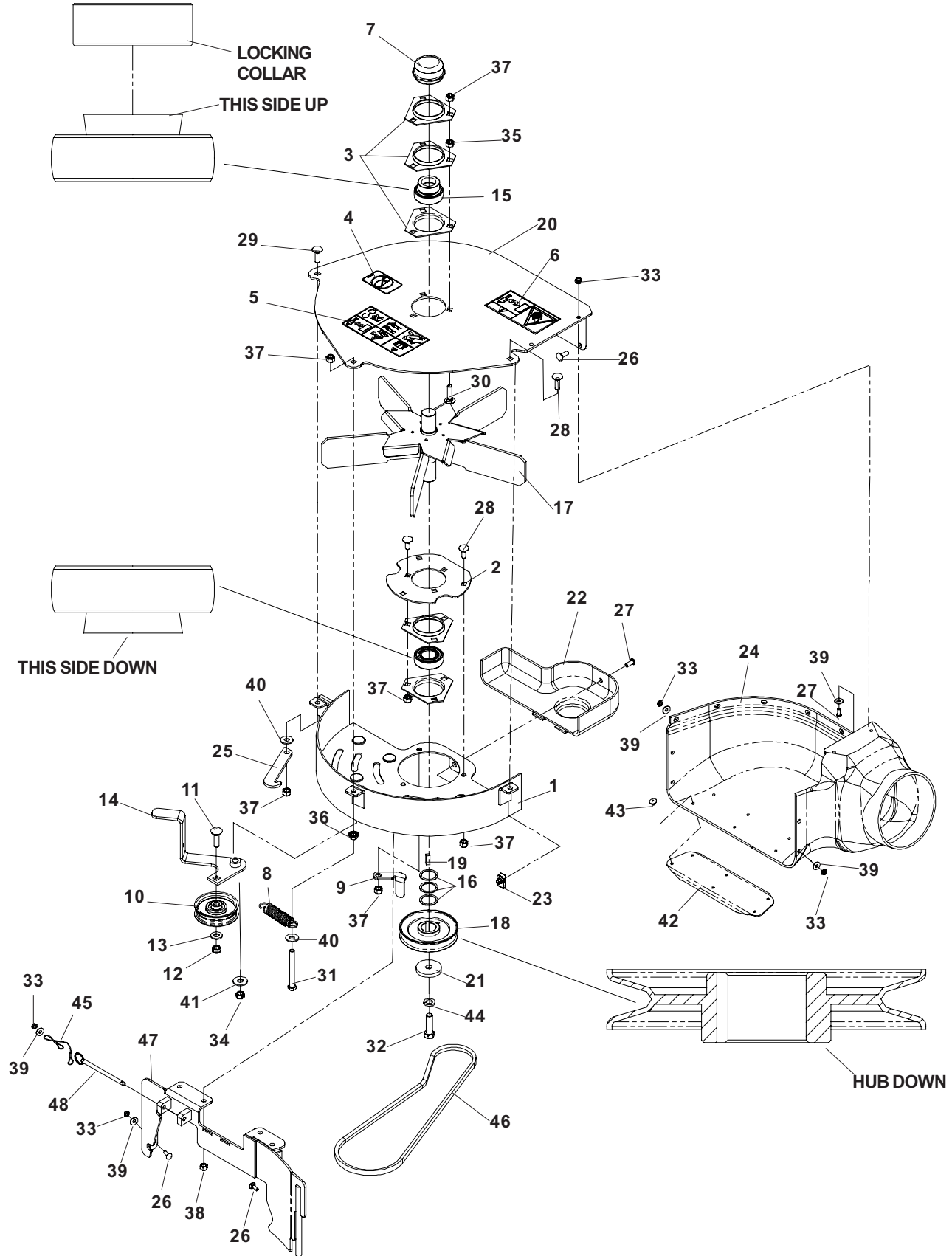
ACCESSORY

HCS13 COLLECTION BLOWER 52" & 61"

ITEM	PART NO.	QTY.	DESCRIPTION	ITEM	PART NO.	QTY.	DESCRIPTION
1....	539 111225	... 1...	FLOOR WELDMENT	23....	539 110813	... 1...	RETAINER, ¼C, "U" TYPE
2....	539 111227	... 1...	BEARING PLATE	24....	539 111220	... 1...	BLOWER HOUSING
3...	539 102691	... 5...	FLANGETTE	25....	539 111265	... 1...	KEEPER, IDLER
4...	539 105743	... 1...	DECAL, NO STEP	26...	539 990074	... 6...	RHSNB, 1¼ -20 x ¾ GR2
5...	539 105785	... 1...	DECAL, WARNING	27....	539 111229	... 3...	SCREW, ¼ -20 x ⅝, SKT HD
6...	539 106741	... 1...	DECAL, SEVERING	28...	539 990316	... 7...	RHSNB, ⅝ ₁₆ x ¾
7...	539 102535	... 1...	GREASE CAP	29...	539 990208	... 1...	RHSNB, ⅝ ₁₆ -18 x 1,
8...	539 916159	... 1...	SPRING	30...	539 100472	... 3...	RHSNB, ⅝ ₁₆ C x 1¼
9....	539 111184	... 1...	BELT GUIDE	31...	539 101721	... 1...	HCS, ⅝ ₁₆ -18 x 2¾,
10...	539 106721	... 1...	IDLER	32...	539 100141	... 1...	HCS, ⅞ ₁₆ -20 x 1½,
11...	539 109345	... 1...	RHSNB, ⅜ -16 x 1½,	33...	539 108120	... 8...	NUT, ¼C, THIN NYLOC
12...	539 200282	... 1...	NUT, ⅜ -16, JAM NYLOC	34...	539 990546	... 1...	NUT, ⅝ ₁₆ C, CENTERLOCK
13...	539 990122	... 1...	WASHER, ⅜, SAE	35...	539 990196	... 3...	NUT, ⅝ ₁₆ C
14....	539 111218	... 1...	IDLERARM	36...	539 990585	... 1...	NUT, ⅝ ₁₆ C
15...	539 106786	... 2...	BEARING	37...	539 990717	. 12...	NUT, ⅝ ₁₆ C, NYLOC
16...	539 102244	... 3...	BUSHING, MACHINE, 18 GA	38...	539 976979	... 4...	NUT, ⅜C, NYLOC
17....	539 110111	... 1...	FAN WELDMENT	39...	539 990598	... 8...	WASHER, ¼
18...	539 106713	... 1...	SHEAVE, 4"	40...	539 990692	... 2...	WASHER, ⅝ ₁₆
19...	539 102067	... 1...	KEY	41...	539 990517	... 1...	WASHER, ⅜
20....	539 111331	... 1...	FAN COVER	42....	539 111340	... 1...	BLOWER SUPPORT
21...	539 106504	... 1...	WASHER, HEAVY	43...	539 102744	... 6...	RIVET
22....	539 111228	... 1...	PULLEY SHIELD	44...	539 990247	... 1...	LOCKWASHER, ⅞ ₁₆

ACCESSORY

HCS13 COLLECTION BLOWER 72"



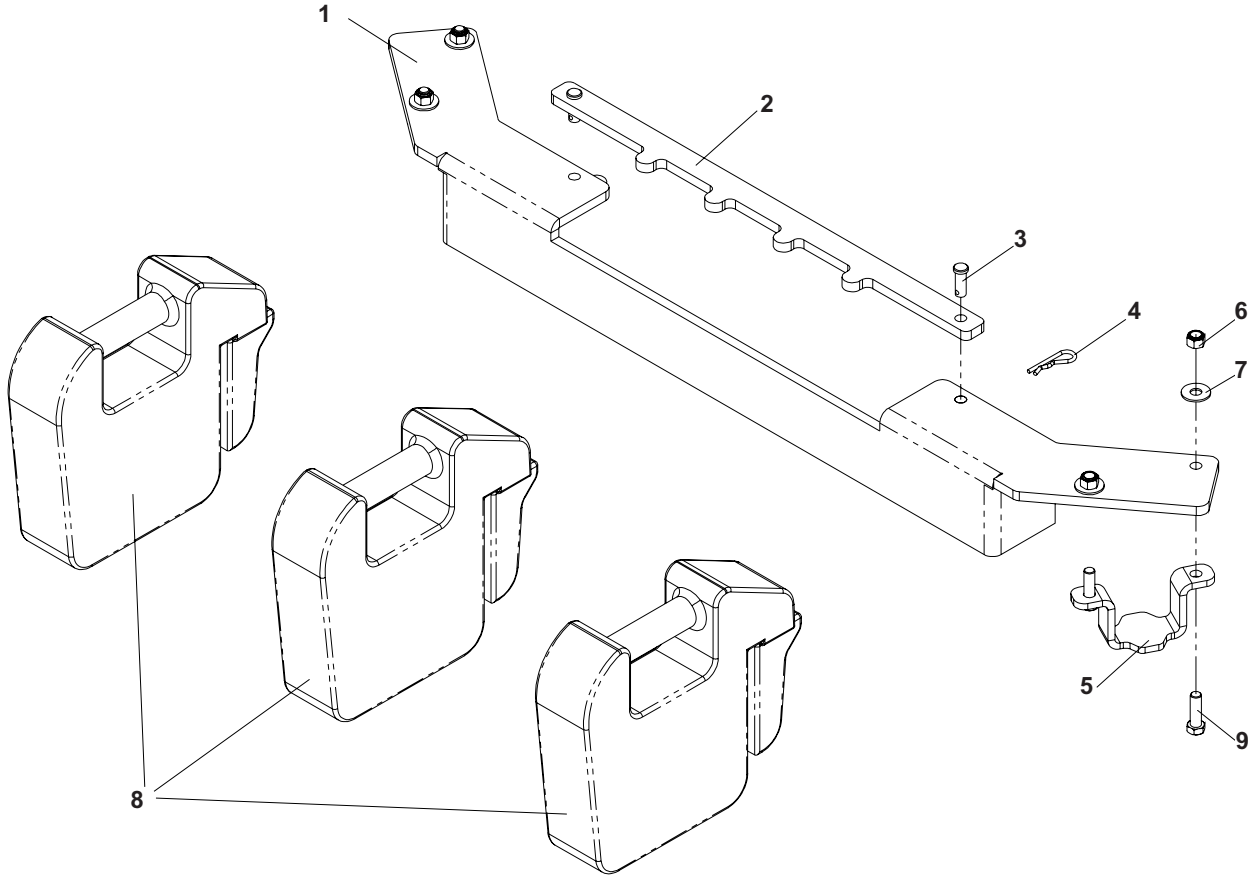
ACCESSORY

HCS13 COLLECTION BLOWER 72"

ITEM	PART NO.	QTY.	DESCRIPTION	ITEM	PART NO.	QTY.	DESCRIPTION
1	539 111225	1	FLOOR WELDMENT	25	539 111265	1	KEEPER, IDLER
2	539 111227	1	BEARING PLATE	26	539 990074	10	RHSNB, 1/4 -20 x 3/4, GR2
3	539 102691	5	FLANGETTE	27	539 111229	3	SCREW, 1/4 -20 x 5/8 SKT HD
4	539 105743	1	DECAL, NO STEP	28	539 990316	7	RHSNB, 5/16 x 3/4
5	539 105785	1	DECAL, WARNING	29	539 990208	1	RHSNB, 5/16 -18 x 1,
6	539 106741	1	DECAL, SEVERING	30	539 100472	3	RHSNB, 5/16C x 1 1/4
7	539 102535	1	GREASE CAP	31	539 101721	1	HCS, 5/16 -18 x 2 3/4,
8	539 916159	1	SPRING	32	539 100141	1	HCS, 7/16 -20 x 1 1/2,
9	539 111184	1	BELT GUIDE	33	539 108120	17	NUT, 1/4C, THIN NYLOC
10	539 106721	1	IDLER	34	539 990546	1	NUT, 5/16C, CENTERLOCK
11	539 109345	1	RHSNB, 3/8 -16 x 1 1/2,	35	539 990196	5	NUT, 5/16C
12	539 200282	1	NUT, 3/8 -16, JAM NYLOC	36	539 990585	1	NUT, 5/16C
13	539 990122	1	WASHER, 3/8, SAE	37	539 990717	14	NUT, 5/16C, NYLOC
14	539 111218	1	IDLER ARM	38	539 976979	4	NUT, 3/8C, NYLOC
15	539 106786	2	BEARING	39	539 990598	12	WASHER, 1/4
16	539 102244	3	BUSHING, MACHINE, 18 GA	40	539 990692	2	WASHER, 5/16
17	539 110111	1	FAN WELDMENT	41	539 990517	1	WASHER, 3/8
18	539 106713	1	SHEAVE, 4"	42	539 111340	1	BLOWER SUPPORT
19	539 102067	1	KEY	43	539 102744	6	RIVET
20	539 111331	1	FAN COVER	44	539 990247	1	LOCKWASHER, 7/16
21	539 106504	1	WASHER, HEAVY	45	539 102563	1	LANYARD
22	539 111747	1	PULLEY SHIELD	46	539 111752	1	BELT
23	539 110813	1	RETAINER, 1/4C, "U" TYPE	47	539 111328	1	BLOWER DECK PLATE, 72
24	539 111746	1	BLOWER HOUSING	48	539 111270	1	PIN

ACCESSORY

HCS13 COLLECTION WEIGHT KIT

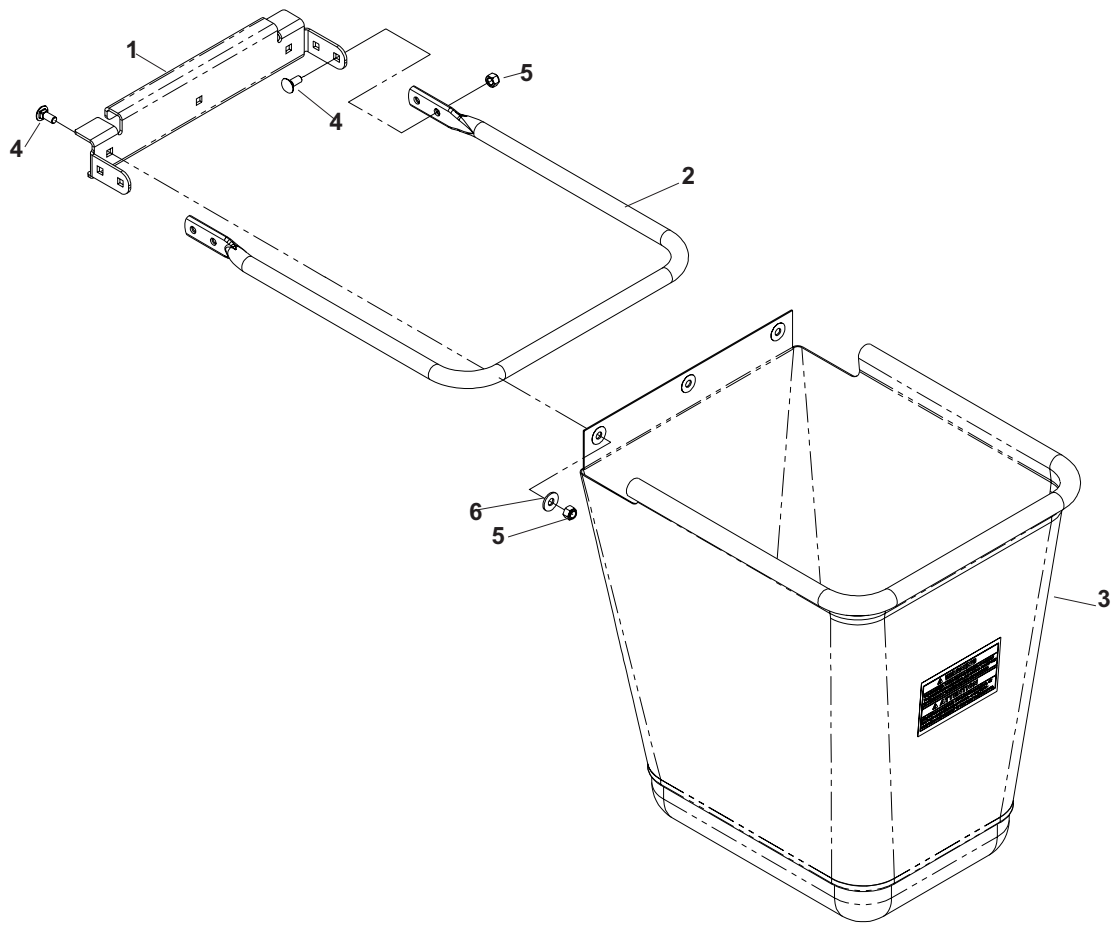


ITEM	PART NO.	QTY.	DESCRIPTION
1...	539 020255 ...	1...	WEIGHT BAR, FRONT
2....	539 111313 ...	1...	HOLD DOWN, WEIGHT BAR
3...	539 102049 ...	2...	CLEVIS PIN
4...	539 108096 ...	2...	SPRING RETAINER
5....	539 111259 ...	2...	WEIGHT KEEPER

ITEM	PART NO.	QTY.	DESCRIPTION
6...	539 976979 ...	4...	NUT, $\frac{3}{8}$, NYLOC
7...	539 990517 ...	4...	WASHER, $\frac{3}{8}$
8...	539 000019 ...	3...	CAST COUNTERWEIGHT
9...	539 976941 ...	4...	HCS, $\frac{3}{8}$ -16 x 1 $\frac{1}{4}$,

ACCESSORY

HCS13 COLLECTION BAG ASSEMBLY

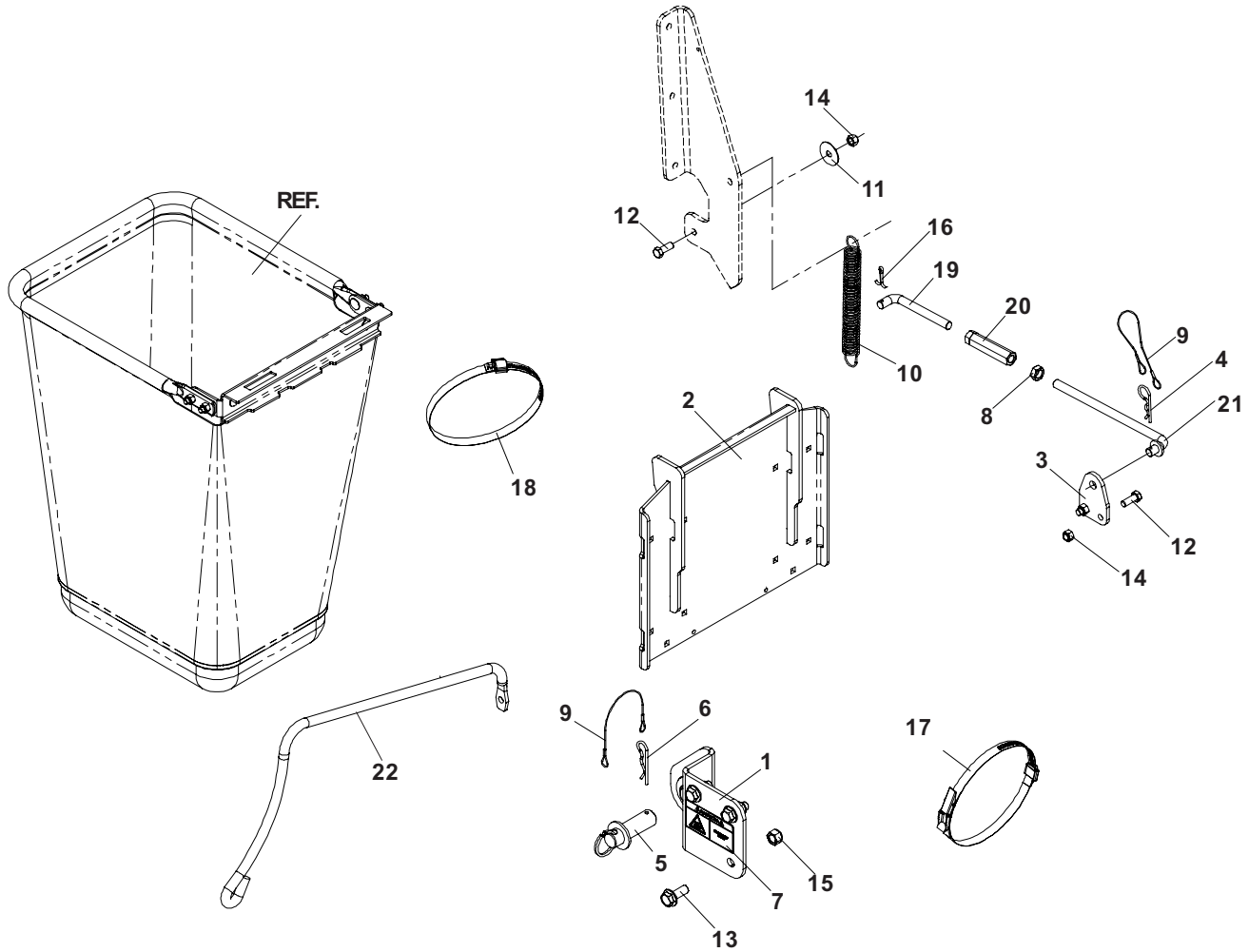


ITEM	PART NO.	QTY.	DESCRIPTION
1	539 110063	1	HANGER, BAG
2	539 111166	1	TUBE, BAG FRAME
3	539 111168	1	BAG, LARGE

ITEM	PART NO.	QTY.	DESCRIPTION
4	539 990316	7	RHSNB, $\frac{5}{16}$ -18 x $\frac{5}{8}$,
5	539 990717	7	NUT, $\frac{5}{16}$, NYLOC
6	539 990692	3	WASHER, $\frac{5}{16}$

ACCESSORY

HCS13 COLLECTION MOUNTING KIT



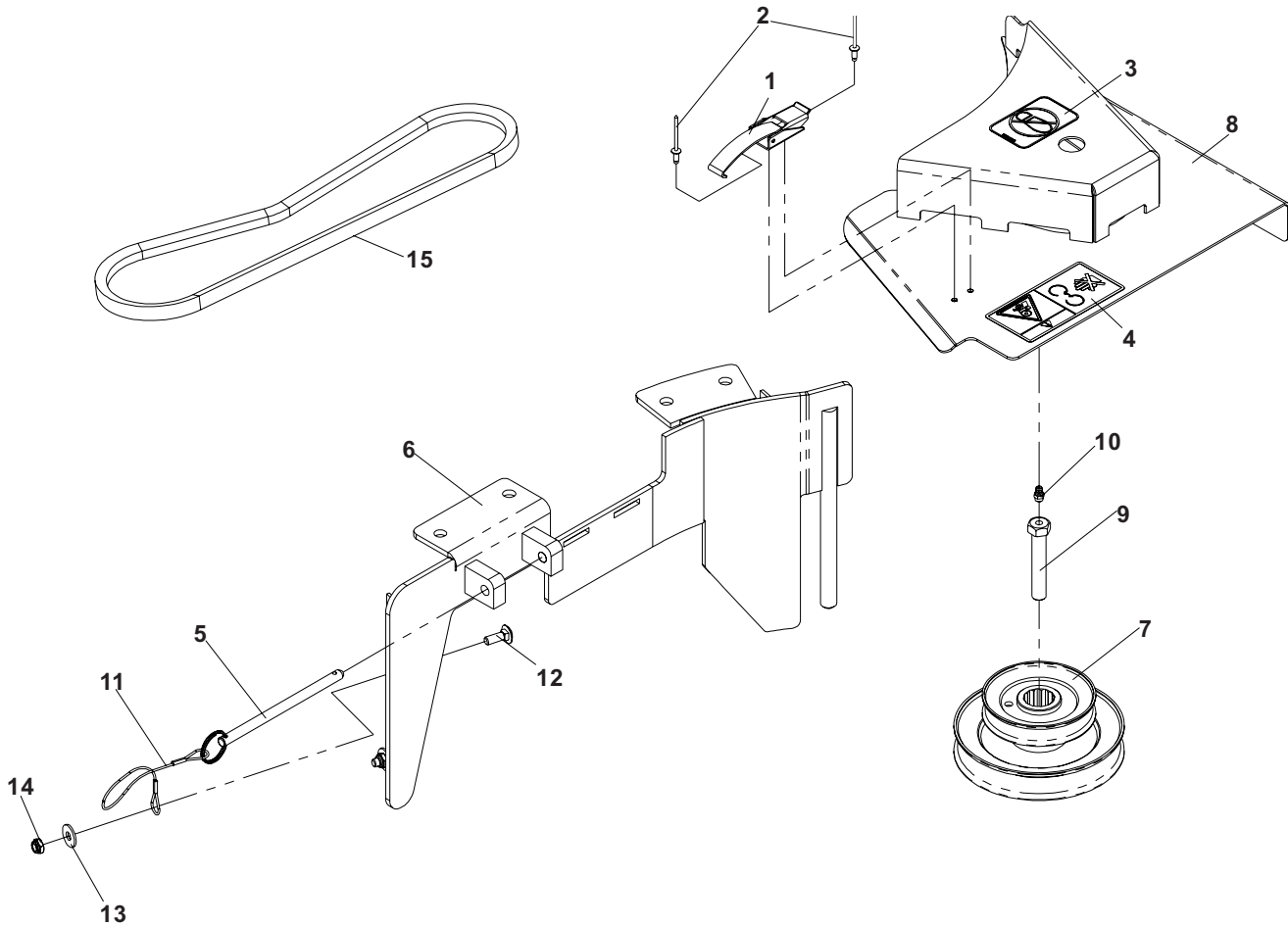
ACCESSORY

HCS13 COLLECTION MOUNTING KIT

ITEM	PART NO.	QTY.	DESCRIPTION	ITEM	PART NO.	QTY.	DESCRIPTION
1....	539 111322	... 1...	HITCH BRCKET, RT, W/DECAL	14...	539 976979	... 6...	NUT, $\frac{3}{8}$ C, NYLOC
....	539 111199	... 1...	HITCH BRACKET, LT	15...	539 101331	... 6...	NUT, $\frac{1}{2}$ C, NYLOC
2....	539 111197	... 1...	REAR GUARD	16...	539 990654	... 2...	COTTER PIN, $\frac{5}{32}$ x $1\frac{1}{4}$
3....	539 111215	... 2...	SUPPORT BRACKET	17...	539 109901	... 1...	OVER CENTER BAND
4...	539 976989	... 2...	HAIRPIN #4	18...	539 097076	... 1...	HOSE CLAMP
5....	539 111206	... 2...	HITCH PIN	19....	539 111208	... 2...	SUPPORT LINKAGE, LH
6....	539 111192	... 2...	HAIRPIN	20....	539 111207	... 2...	TURNBUCKLE
7....	539 111212	... 1...	DECAL, HOT SURFACE	21....	539 111210	... 2...	SUPPORT LINKAGE
8...	539 108736	... 2...	NUT, $\frac{1}{2}$ -20, HEX JAM	22....	539 113018	... 1...	HOSE SUPPORT
9...	539 102563	... 4...	LANYARD	NOT SHOWN			
10....	539 111191	... 2...	SPRING	...	539 990692	... 2...	WASHER, $\frac{5}{16}$
11...	539 102998	... 2...	FRICTION WASHER	...	539 990717	... 1...	NUT, $\frac{5}{16}$ -18, NYLOC
12...	539 990563	... 6...	HCS, $\frac{3}{8}$ -16 x 1,	...	539 990627	... 1...	HCS, $\frac{5}{16}$ -.18 x $1\frac{1}{4}$,
13...	539 990622	... 6...	HFS, $\frac{1}{2}$ -13 x $1\frac{1}{2}$				

ACCESSORY

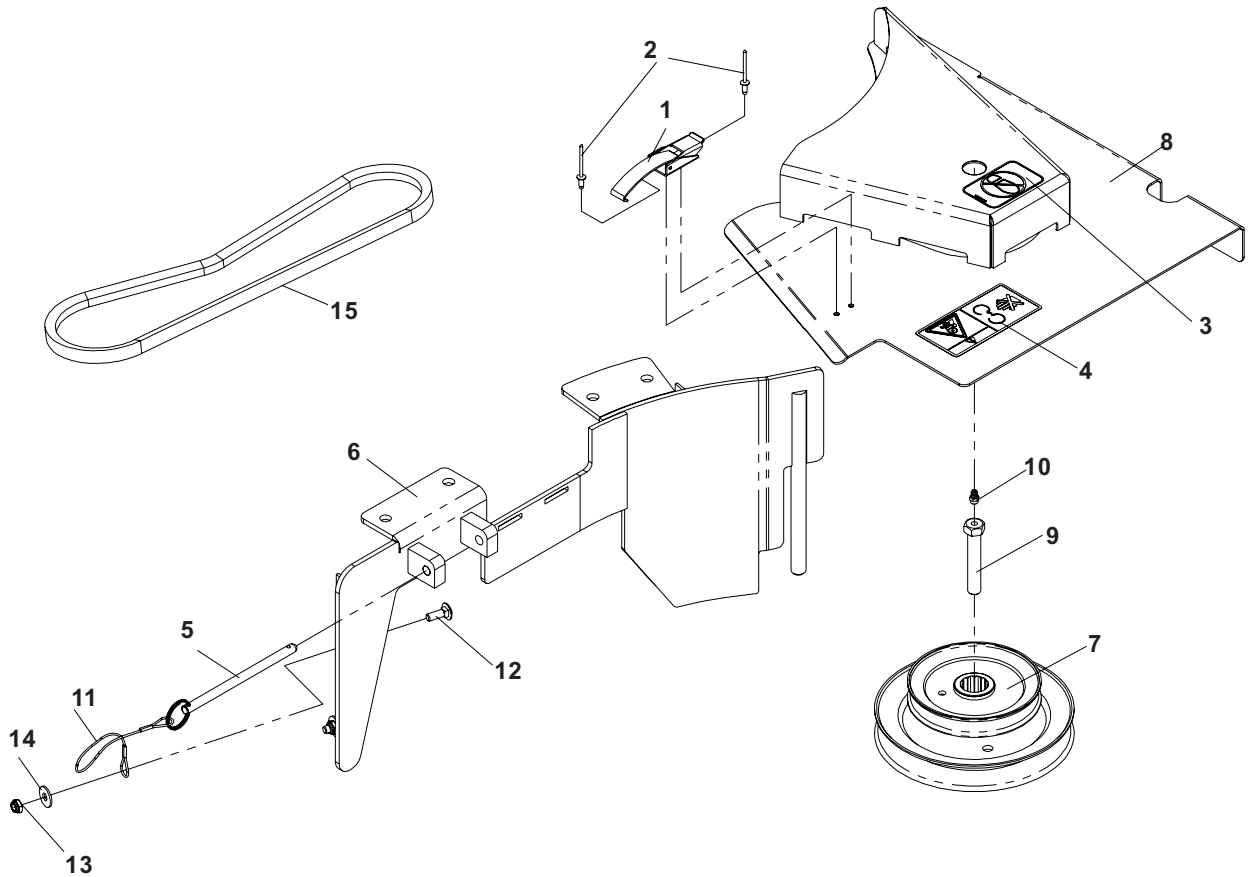
HCS13 DRIVE KIT 539 111277 - 52" DECK



ITEM	PART NO.	QTY.	DESCRIPTION	ITEM	PART NO.	QTY.	DESCRIPTION
1...	539 109660	... 1...	DRAW LATCH	9....	539 112138	... 1...	HCS, $\frac{7}{16}$ -20 x 2 $\frac{1}{2}$, GR8
2....	539 110740	... 2...	RIVET, BLIND, DOME	10...	539 976998	... 1...	ZERK
3...	539 105743	... 1...	DECAL, NO STEP	11...	539 102563	... 1...	LANYARD
4...	539 105744	... 1...	DECAL, BELT DRIVES	12...	539 990074	... 4...	RHSNB, $\frac{1}{4}$ -20 x $\frac{3}{4}$, GR2
5....	539 111270	... 1...	PIN	13...	539 990598	... 4...	WASHER, $\frac{1}{4}$
6....	539 111264	... 1...	BLOWER DECK PLATE, 52	14...	539 108120	... 4...	NUT, $\frac{1}{4}$ C, THIN NYLOC
7....	539 111256	... 1...	PULLEY, STACKED DBL, 52	15....	539 111306	... 1...	BELT
8....	539 111273	... 1...	BELT SHIELD W/DECALS				

ACCESSORY

HCS13 DRIVE KIT 539 111278 - 61" DECK

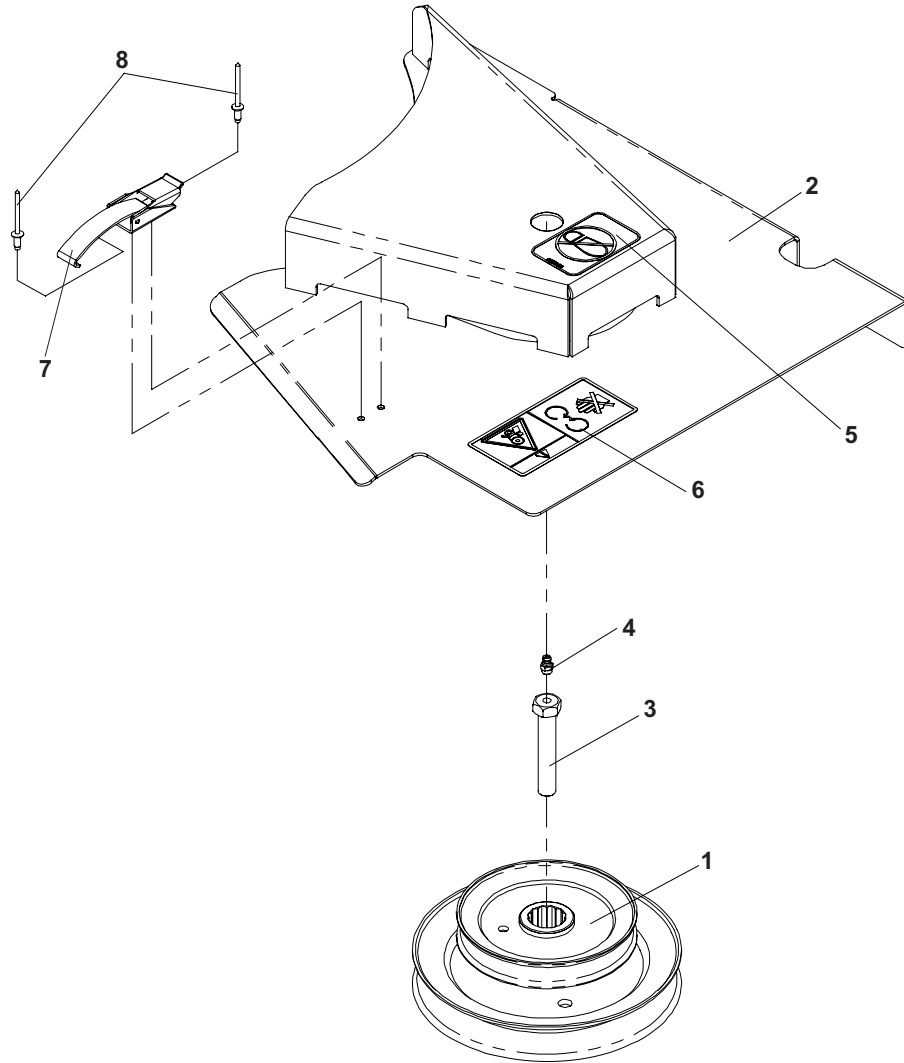


ITEM	PART NO.	QTY.	DESCRIPTION
1	539 109660	1	DRAW LATCH
2	539 110740	2	RIVET, BLIND, DOME
3	539 105743	1	DECAL, NO STEP
4	539 105744	1	DECAL, BELT DRIVES
5	539 111270	1	PIN
6	539 111240	1	BLOWER DECK PLATE, 61
7	539 111257	1	PULLEY, STACKED DBL, 61
8	539 111274	1	BELT SHIELD W/DECALS

ITEM	PART NO.	QTY.	DESCRIPTION
9	539 112138	1	HCS, $\frac{7}{16}$ -20 x 2½, GR8
10	539 976998	1	ZERK
11	539 102563	1	LANYARD
12	539 990074	4	RHSNB, $\frac{1}{4}$ -20 x $\frac{3}{4}$, GR2
13	539 990598	4	WASHER, $\frac{1}{4}$
14	539 108120	4	NUT, $\frac{1}{4}$ C, THIN NYLOC
15	539 111307	1	BELT

ACCESSORY

HCS13 DRIVE KIT 539 111749 - 72" DECK

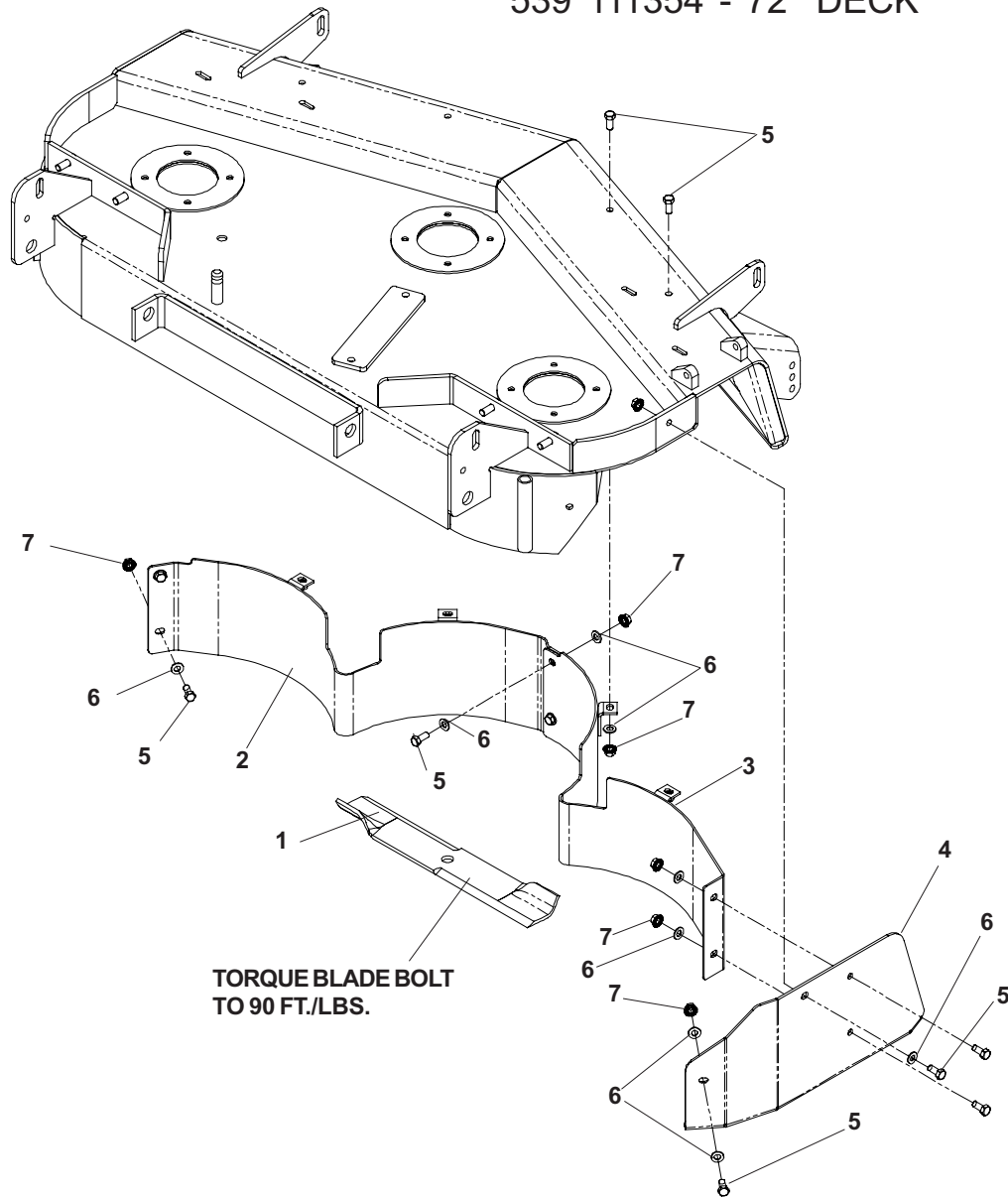


ITEM	PART NO.	QTY.	DESCRIPTION
1....	539 111344 ...	1...	PULLEY, DBL STK, 72"
2....	539 111751 ...	1...	BELT SHIELD, 72"
3....	539 112138 ...	1...	HCS, $\frac{7}{16}$ -20 x 2½, GR8
4...	539 976998 ...	1...	ZERK

ITEM	PART NO.	QTY.	DESCRIPTION
5...	539 105743 ...	1...	DECAL, EURO NO STEP
6...	539 105744 ...	1...	DECAL, EURO DANGER BELT
7...	539 109660 ...	1...	DRAW LATCH
8....	539 110740 ...	2...	POP RIVET

ACCESSORY

MULCH KITS: 539 111352 - 52" DECK
 539 111353 - 61" DECK
 539 111354 - 72" DECK

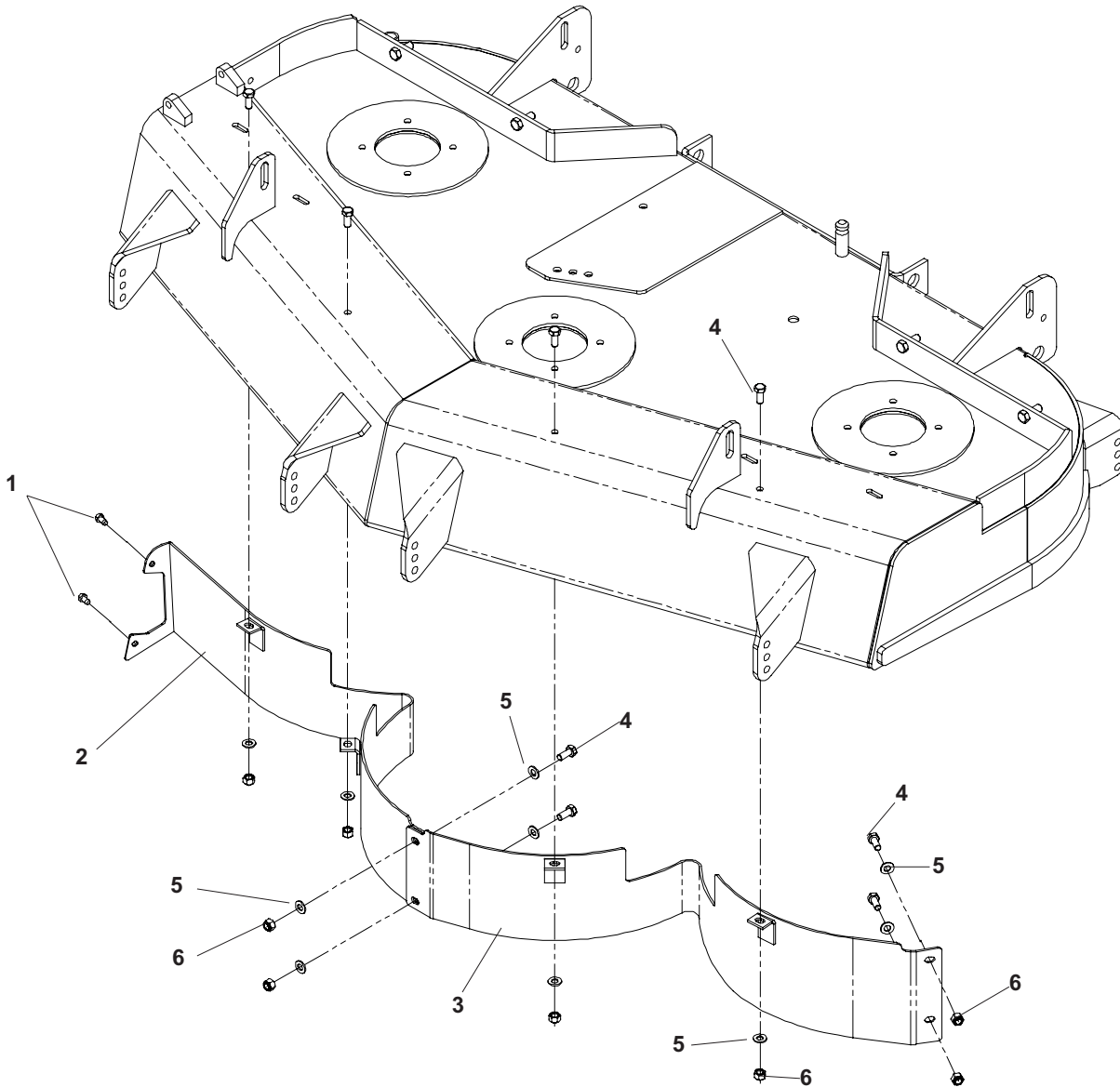


ITEM	PART NO.	QTY.	DESCRIPTION
1...	539 109757	3...	BLADE, 18", 52" DECK
...	539 109755	3...	BLADE, 21", 61" DECK
...	539 105571	3...	BLADE, 25", 72" DECK
2....	539 110710	1...	BAFFLE, LEFT, 52" DECK
....	539110715	1...	BAFFLE, LEFT, 61" DECK
....	539 110720	1...	BAFFLE, LEFT, 72" DECK
3....	539 110712	1...	BAFFLE, RIGHT, 52" DECK
....	539 110717	1...	BAFFLE, RIGHT, 61" DECK
....	539 110722	1...	BAFFLE, RIGHT, 72" DECK

ITEM	PART NO.	QTY.	DESCRIPTION
4....	539 110714	1...	MULCH CAP, 52" DECK
....	539 110719	1...	MULCH CAP, 61" DECK
....	539 110724	1...	MULCH CAP, 72" DECK
5...	539 976934	12...	HCS, $\frac{5}{16}$ -18 x $\frac{3}{4}$,
6...	539 990188	15...	WASHER, $\frac{5}{16}$, SAE
7...	539 990585	12...	NUT, $\frac{5}{16}$ -18, WHIZLK

ACCESSORY

BAFFLE KITS: 539 111633 - 52" DECK
 539 111634 - 61" DECK
 539 111635 - 72" DECK

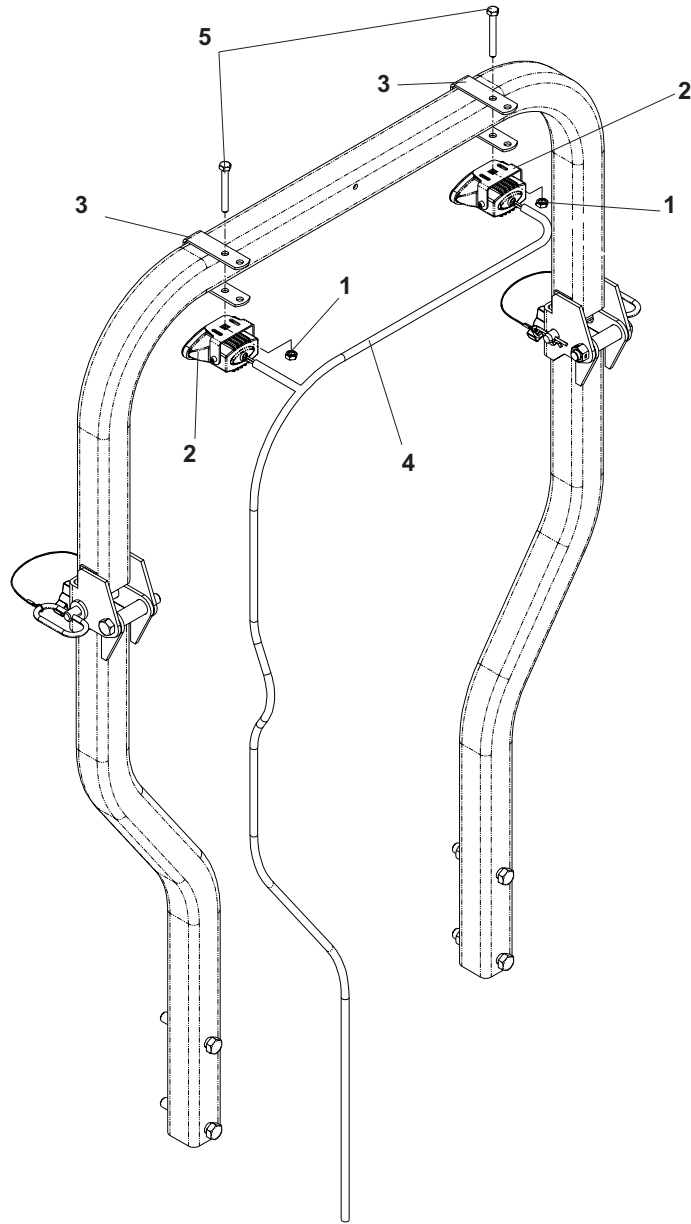


ITEM	PART NO.	QTY.	DESCRIPTION
1...	539 105532 ...	2...	SCREW, 1/4 -20 x 1/2, TAP
2....	539 111615 ...	1...	BAFFLE, RIGHT, 52" DECK
....	539 111610 ...	1...	BAFFLE, RIGHT, 61" DECK
....	539 111627 ...	1...	BAFFLE, RIGHT, 72" DECK
3....	539 111617 ...	1...	BAFFLE, LEFT, 52" DECK
....	539 111613 ...	1...	BAFFLE, LEFT, 61" DECK
....	539 111629 ...	1...	BAFFLE, LEFT, 72" DECK

ITEM	PART NO.	QTY.	DESCRIPTION
4..	539 976934 ...	8...	HCS, 5/16 -18 x 3/4,
5..	539 990188 .	10...	WASHER, 5/16, SAE
6..	539 990717 ...	8...	NUT, 5/16 -18, NYLOC

ACCESSORY

LIGHT KIT 539 111579



ITEM	PART NO.	QTY.	DESCRIPTION	ITEM	PART NO.	QTY.	DESCRIPTION
1...	539 107897	...	2... NUT, ⁵ / ₁₆ -18, JAM	5...	539 991046	...	2... HCS, ⁵ / ₁₆ -18 x 2½, GR5
2....	539 111577	...	2... LIGHT W/BRKT & HARDWARE	NOT SHOWN			
3....	539 111578	...	2... LIGHT MOUNTING BRACKET	...	539 976856	. 16	... TIE, PLASTIC
4....	539 111580	...	1... LIGHT HARNESS	539 111815	...	1... BULB, 12V, 35 WATT, REPLACEMENT (NOT INCLUDED IN KIT)

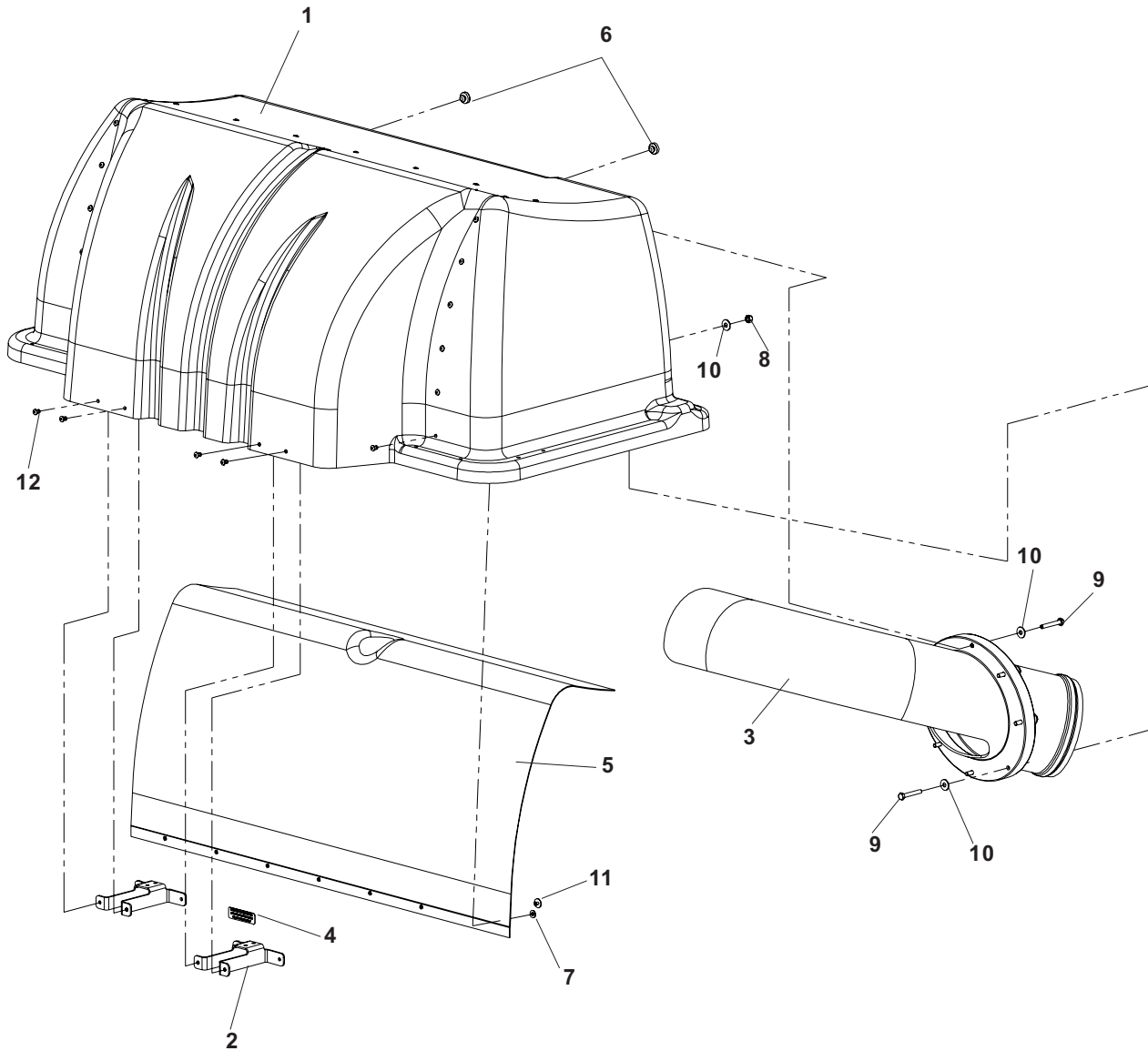
ACCESSORY

DFS COLLECTION HOPPER ASSEMBLY

ITEM	PART NO.	QTY.	DESCRIPTION	ITEM	PART NO.	QTY.	DESCRIPTION
1....	539 113754	... 1...	HOPPER	26...	539 101341	... 1...	HCS, $\frac{3}{8}$ -16 x 3,
2...	539 104808	... 8...	PILLOW BLOCK	27...	539 109232	... 2...	PIN CLEVIS, $\frac{3}{8}$ x $1\frac{1}{4}$
3....	539 113747	... 1...	DOOR	28...	539 976988	... 2...	HAIRPIN COTTER
4....	539 113755	... 1...	PLATE - BACKING	29...	539 990365	... 2...	PIN, COTTER, $\frac{1}{8}$ x $\frac{3}{4}$
5....	539 113748	... 1...	TUBE, SUPPORT, HANDLE	30...	539 976978	... 1...	NUT, $\frac{1}{4}$ -20, NYLOC
6....	539 113746	... 1...	BELL CRANK	31...	539 108369	... 2...	HCS, $\frac{1}{2}$ -13 x $1\frac{1}{4}$,
7...	539 977465	... 2...	YOKE, $\frac{3}{8}$ F	32...	539 109554	... 2...	WASHER, $\frac{1}{2}$
8....	539 113722	... 2...	ROD, DOOR	33...	539 990563	... 2...	HCS, $\frac{3}{8}$ -16 x 1,
9....	539 113749	... 1...	PIN, PIVOT	34...	539 990517	... 2...	WASHER, $\frac{3}{8}$
10....	539 113750	... 1...	GUARD, LEFT	35...	539 000033	... 1...	GRIP, HANDLE
11....	539 113751	... 1...	GUARD, RIGHT	36....	539 111230	... 1...	BLOWER
12....	539 113790	... 1...	HANDLE	37....	539 111287	... 1...	HOSE, L
13....	539 113739	... 2...	ROD END, $\frac{3}{8}$ -24, RH	38...	539 109901	... 1...	OVER CENTER BAND
14...	539 990122	... 5...	WASHER, $\frac{3}{8}$, SAE	39...	539 097076	... 1...	HOSE CLAMP, 6"-7"
15....	539 113753	... 1...	TUBE, THREADED	40....	539 113757	... 1...	PLUG, RECT TUBING
16...	539 990613	... 6...	NUT, $\frac{3}{8}$ -16, WHIZLK	41....	539 113758	... 2...	PLUG, SQUARE TUBE
17...	539 990655	... 4...	HCS, $\frac{3}{8}$ -16 x $1\frac{1}{2}$,	42....	539 113731	... 1...	BUSHING, 1"
18...	539 107315	... 2...	SPRING	43...	539 200684	... 17...	RIVET
19...	539 102656	... 2...	SPACER	44...	539 104807	... 4...	REINFORCEMENT BAR
20...	539 101721	... 8...	HCS, $\frac{5}{16}$ -18 x $2\frac{3}{4}$,	45...	539 000019	... 3...	WEIGHT CAST, FRONT
21...	539 990717	... 8...	NUT, $\frac{5}{16}$ -18, NYLOC	46....	539 111055	... 1...	DECAL, CROWN
22...	539 101572	... 2...	HCS, $\frac{1}{2}$ -13 x 3,	47...	539 102587	... 2...	GROMMET, BUMPER
23...	539 101331	... 4...	NUT, $\frac{1}{2}$ -13, NYLOC	48...	539 990692	... 4...	WASHER, $\frac{5}{16}$
24...	539 108732	... 4...	NUT, $\frac{3}{8}$ -24, JAM	49....	539 111260	... 1...	DECAL, VENTILATION
25...	539 976979	... 4...	NUT, $\frac{3}{8}$ -16, NYLOC				

ACCESSORY

DFS COLLECTION HOOD ASSEMBLY

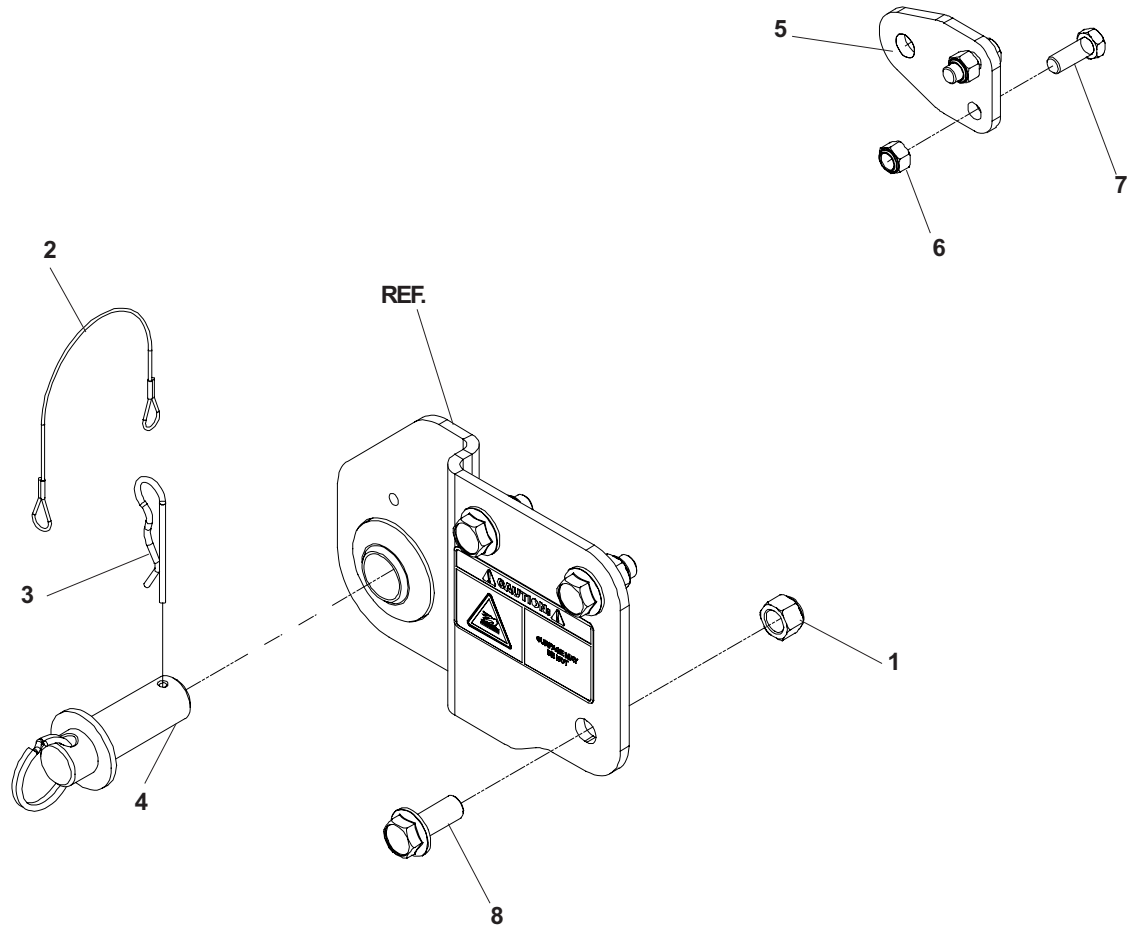


ITEM	PART NO.	QTY.	DESCRIPTION
1....	539 111172	... 1...	HOOD
2....	539 111175	... 2...	SUPPORT, DRAW LATCH
3....	539 111182	... 1...	INLET TUBE
4....	539 111260	... 1...	DECAL, VENTILATION
5....	539 111183	... 1...	MESH, POLY DIAMOND
6...	539 102587	... 6...	GROMMET, BUMPER

ITEM	PART NO.	QTY.	DESCRIPTION
7...	539 105408	. 21 ...	WASHER, #10
8...	539 976978	... 8...	NUT, 1/4 -20, NYLOC
9...	539 991003	... 8...	HCS, 1/4 -20 x 1 3/4,
10 ...	539 990598	. 16 ...	WASHER, 1/4
11 ...	539 102744	... 7...	RIVET, 3/16 x 1/4
12...	539 200684	. 25 ...	RIVET, 3/16, STAVEX

ACCESSORY

DFS COLLECTION HARDWARE KIT

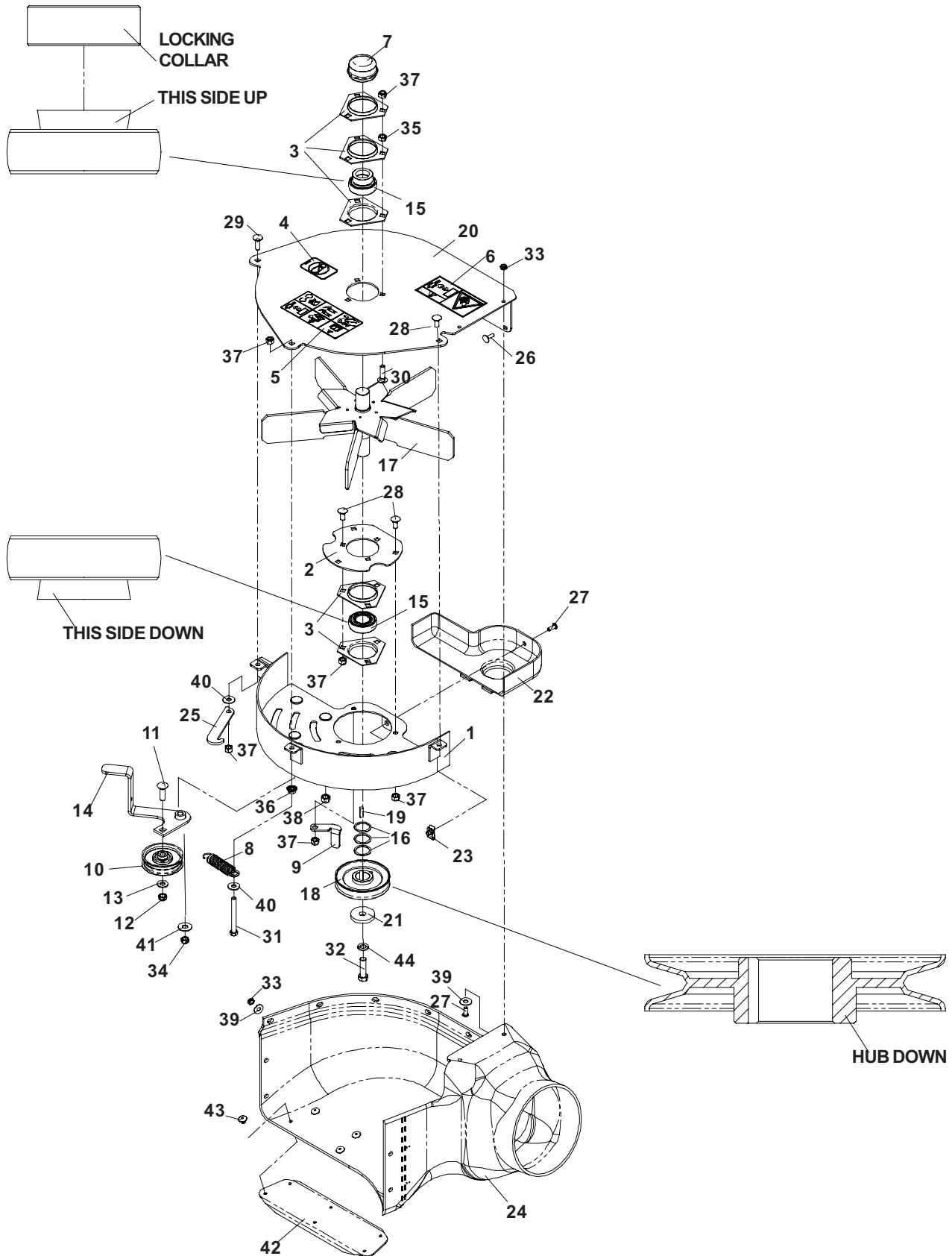


ITEM	PART NO.	QTY.	DESCRIPTION
1...	539 101331	10	NUT, 1/2 -13, NYLOC
2...	539 102563	2	LANYARD
3....	539 111192	2	HAIRPIN
4....	539 111206	2	HITCH PIN
5....	539 111215	2	SUPPORT BRACKET

ITEM	PART NO.	QTY.	DESCRIPTION
6...	539 976979	4	NUT, 3/8 -16, NYLOC
7...	539 990563	4	HCS, 3/8 -16 x 1,
8...	539 990622	10	BOLT, 1/2 -13 x 1 1/4, WHIZLK
NOT SHOWN			
...	539 990655	2	HCS, 3/8 -16 x 1 1/2,

ACCESSORY

DFS COLLECTION BLOWER ASSEMBLY



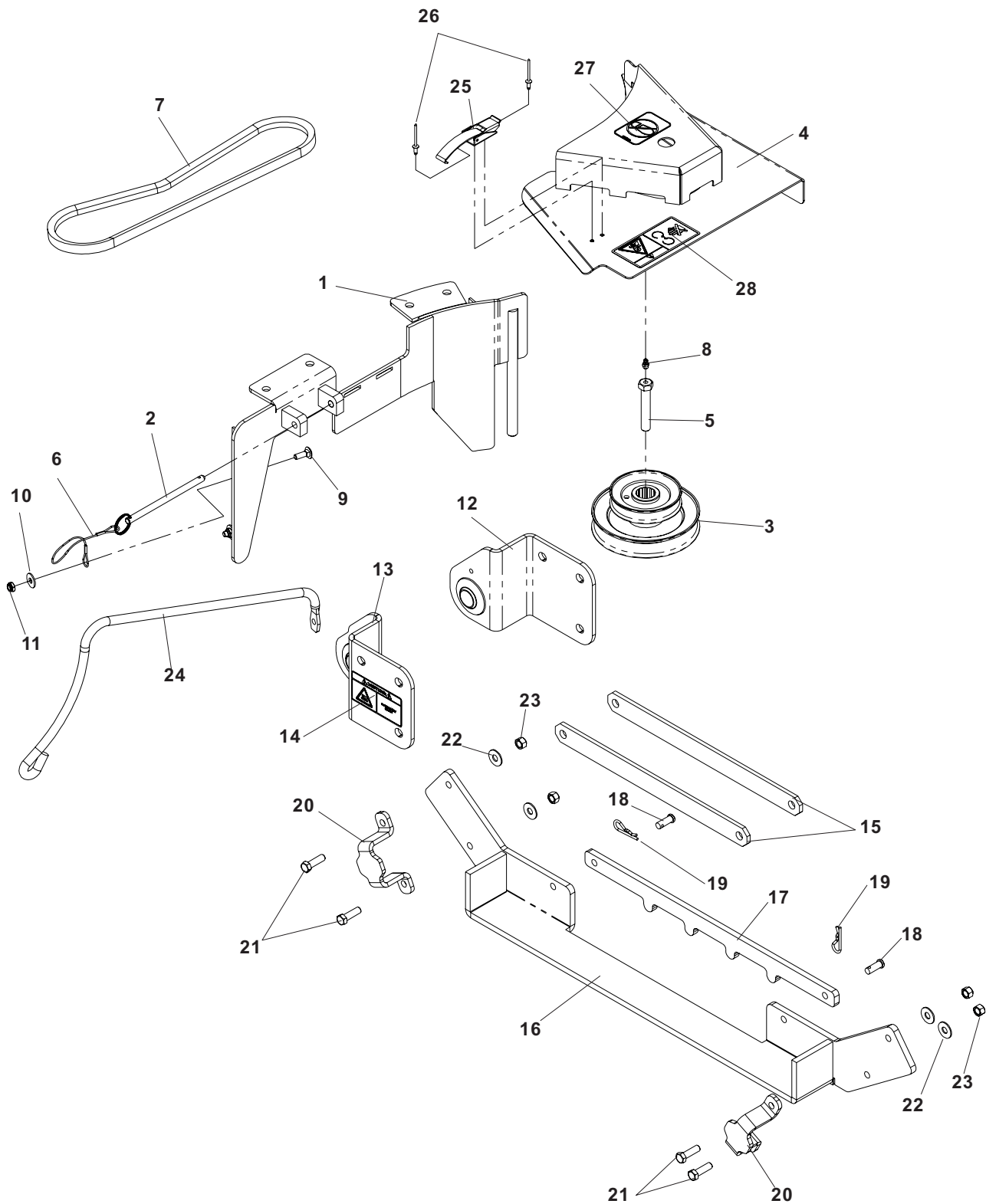
ACCESSORY

DFS COLLECTION BLOWER ASSEMBLY

ITEM	PART NO.	QTY.	DESCRIPTION	ITEM	PART NO.	QTY.	DESCRIPTION
1....	539 111225	... 1 ...	FLOOR WELDMENT	23....	539 110813	... 1 ...	RETAINER, ¼C, "U" TYPE
2....	539 111227	... 1 ...	BEARING PLATE	24....	539 111220	... 1 ...	BLOWER HOUSING
3...	539 102691	... 5 ...	FLANGETTE	25....	539 111265	... 1 ...	KEEPER, IDLER
4...	539 105743	... 1 ...	DECAL, NO STEP	26...	539 990074	... 6 ...	RHSNB, ¼-20 x ½, GR2
5...	539 105785	... 1 ...	DECAL, WARNING	27....	539 111229	... 3 ...	SCREW, ¼-20 x 5/8, SKT HD
6...	539 106741	... 1 ...	DECAL, SEVERING	28...	539 990316	... 7 ...	RHSNB, 5/16 -18 x ¾,
7...	539 102535	... 1 ...	GREASE CAP	29...	539 990208	... 1 ...	RHSNB, 5/16 -18 x 1,
8...	539 916159	... 1 ...	SPRING	30...	539 100472	... 3 ...	RHSNB, 5/16C x 1¼
9....	539 111184	... 1 ...	BELT GUIDE	31...	539 101721	... 1 ...	HCS, 5/16 -18 x 2¾,
10...	539 106721	... 1 ...	IDLER	32...	539 100141	... 1 ...	HCS, 7/16 -20 x 1½,
11...	539 109345	... 1 ...	RHSNB, 3/8-16 x 1½,	33...	539 108120	... 8 ...	NUT, ¼C, THIN NYLOC
12...	539 200282	... 1 ...	NUT, 3/8 -16, JAM NYLOC	34...	539 990546	... 1 ...	NUT, 3/8 -16, CENTERLOCK
13...	539 990122	... 1 ...	WASHER, 3/8, SAE	35...	539 990196	... 3 ...	NUT, 5/16C
14....	539 111218	... 1 ...	IDLERARM	36...	539 990585	... 1 ...	NUT, 5/16C
15...	539 106786	... 2 ...	BEARING	37...	539 990717	. 12 ...	NUT, 5/16C, NYLOC
16...	539 102244	... 3 ...	BUSHING, MACHINE, 18 GA	38...	539 976979	... 4 ...	NUT, 3/8C, NYLOC
17....	539 110111	... 1 ...	FAN WELDMENT	39...	539 990598	... 8 ...	WASHER, ¼
18...	539 106713	... 1 ...	SHEAVE, 4"	40...	539 990692	... 2 ...	WASHER, 5/16
19...	539 102067	... 1 ...	KEY	41...	539 990517	... 1 ...	WASHER, 3/8
20....	539 111331	... 1 ...	FAN COVER	42....	539 111340	... 1 ...	BLOWER SUPPORT
21...	539 106504	... 1 ...	WASHER, HEAVY	43...	539 102744	... 6 ...	RIVET
22....	539 111228	... 1 ...	PULLEY SHIELD	44...	539 990247	... 1 ...	LOCKWASHER, 7/16

ACCESSORY

DFS COLLECTION DRIVE KITS: 539 113766 - 52" DECK
539 113767 - 61" DECK

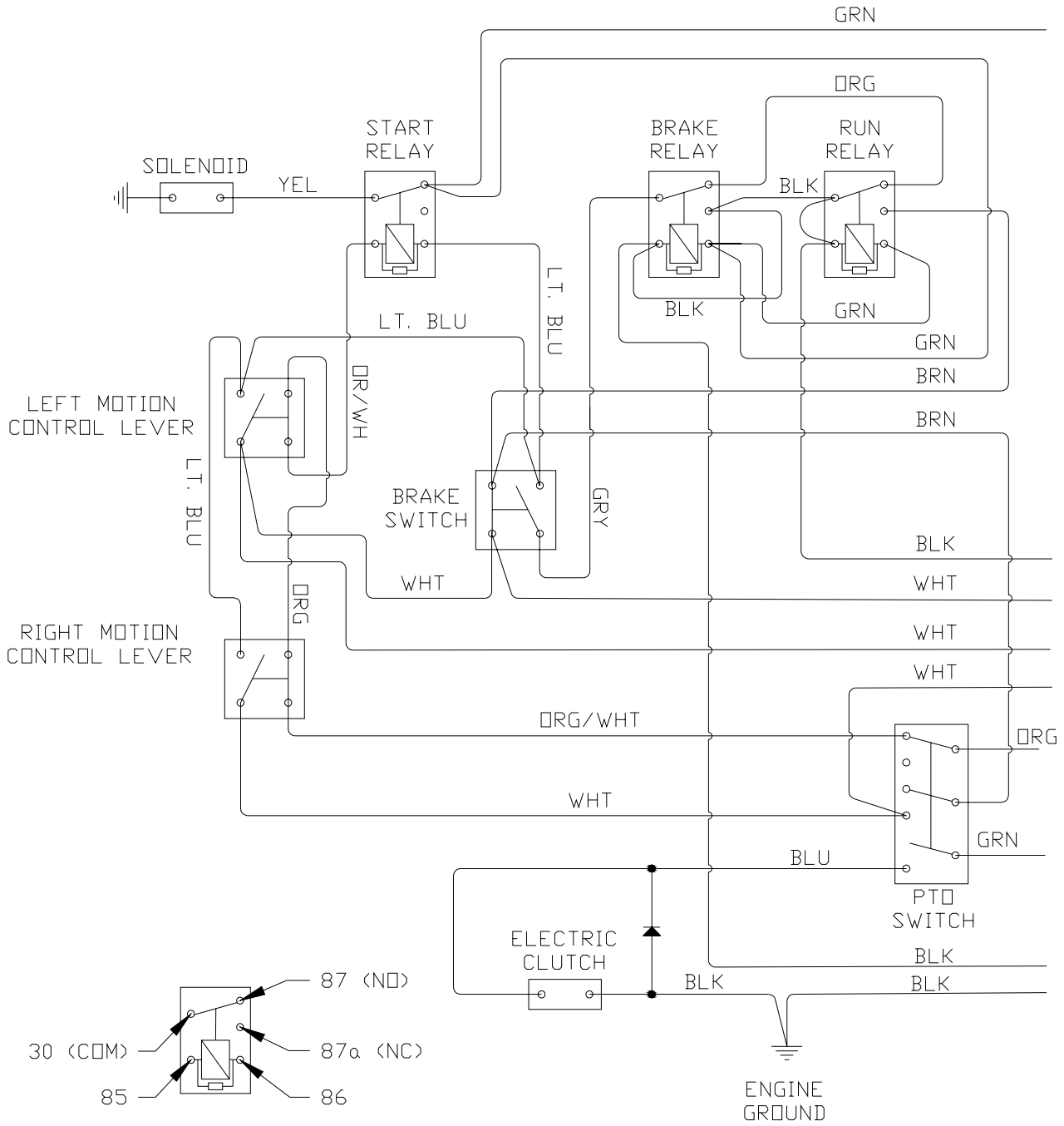


ACCESSORY

DFS COLLECTION DRIVE KITS: 539 113766 - 52" DECK
539 113767 - 61" DECK

ITEM	PART NO.	QTY.	DESCRIPTION	ITEM	PART NO.	QTY.	DESCRIPTION
1....	539 111264	... 1...	BLOWER DECK PLATE, 52"	13....	539 111201	... 1...	HITCH BRACKET, RT
....	539 111240	... 1...	BLOWER DECK PLATE, 61"	14....	539 111212	... 1...	DECAL, HOT SURFACE
2....	539 111270	... 1...	PIN	15....	539 113777	... 2...	STRAP
3....	539 111256	... 1...	STACK PULLEY, 52" DECK	16...	539 020255	... 1...	WEIGHT BAR
....	539 111257	... 1...	STACK PULLEY, 61" DECK	17....	539 111313	... 1...	HOLD DOWN, WEIGHT BAR
4....	539 111273	... 1...	BELT SHIELD, 52" DECK	18...	539 102049	... 2...	CLEVIS PIN
....	539 111274	... 1...	BELT SHIELD, 61" DECK	19...	539 108096	... 2...	SPRING RETAINER
5....	539 112138	... 1...	HCS, ⁷ / ₁₆ -20 x 2 ¹ / ₂ , GR8	20....	539 111259	... 2...	WEIGHT KEEPER
6...	539 102563	... 1...	LANYARD	21...	539 976941	... 4...	HCS, ³ / ₈ -16 x 1 ¹ / ₄ ,
7....	539 111306	... 1...	BELT, 52" DECK	22...	539 990517	... 4...	WASHER, ³ / ₈
....	539 111307	... 1...	BELT, 61" DECK	23...	539 976979	... 4...	NUT, ³ / ₈ -16, NYLOC
8...	539 976998	... 1...	ZERK	24....	539 113018	... 1...	HOSE SUPPORT
9...	539 990074	... 4...	RHSNB, ¹ / ₄ -20 x ³ / ₄ , GR2	25...	539 109660	... 1...	DRAW LATCH
10...	539 990598	... 4...	WASHER, ¹ / ₄	26....	539 110740	... 2...	RIVET, BLIND, ⁵ / ₃₂ DIA.
11...	539 108120	... 4...	NUT, ¹ / ₄ -20, JAM, NYLOC	27...	539 105743	... 1...	DECAL, NO STEP
12....	539 111199	... 1...	HITCH BRACKET, LT	28...	539 105744	... 1...	DECAL, BELT DRIVES

SCHEMATIC



SCHEMATIC

