

Collection System

Operators Manual
Parts Manual

Models: 111280 / HCS9
111281 / HCS13

Please read these instructions carefully and make sure you understand them before using the machine.

MANUAL NO. 539111288 REV 01 (03/31/05)

INDEX

Operators Guide

| | |
|------------------------------|----|
| Features and Controls | 4 |
| General Information | 5 |
| Safety Procedures | 5 |
| Unpacking Instructions | 7 |
| Assembly Instructions | 7 |
| Collection System | 7 |
| Blower/Drive Kit | 11 |

| | |
|--|-----------|
| Operating the Collection System | 14 |
|--|-----------|

Maintenance and Service Instructions

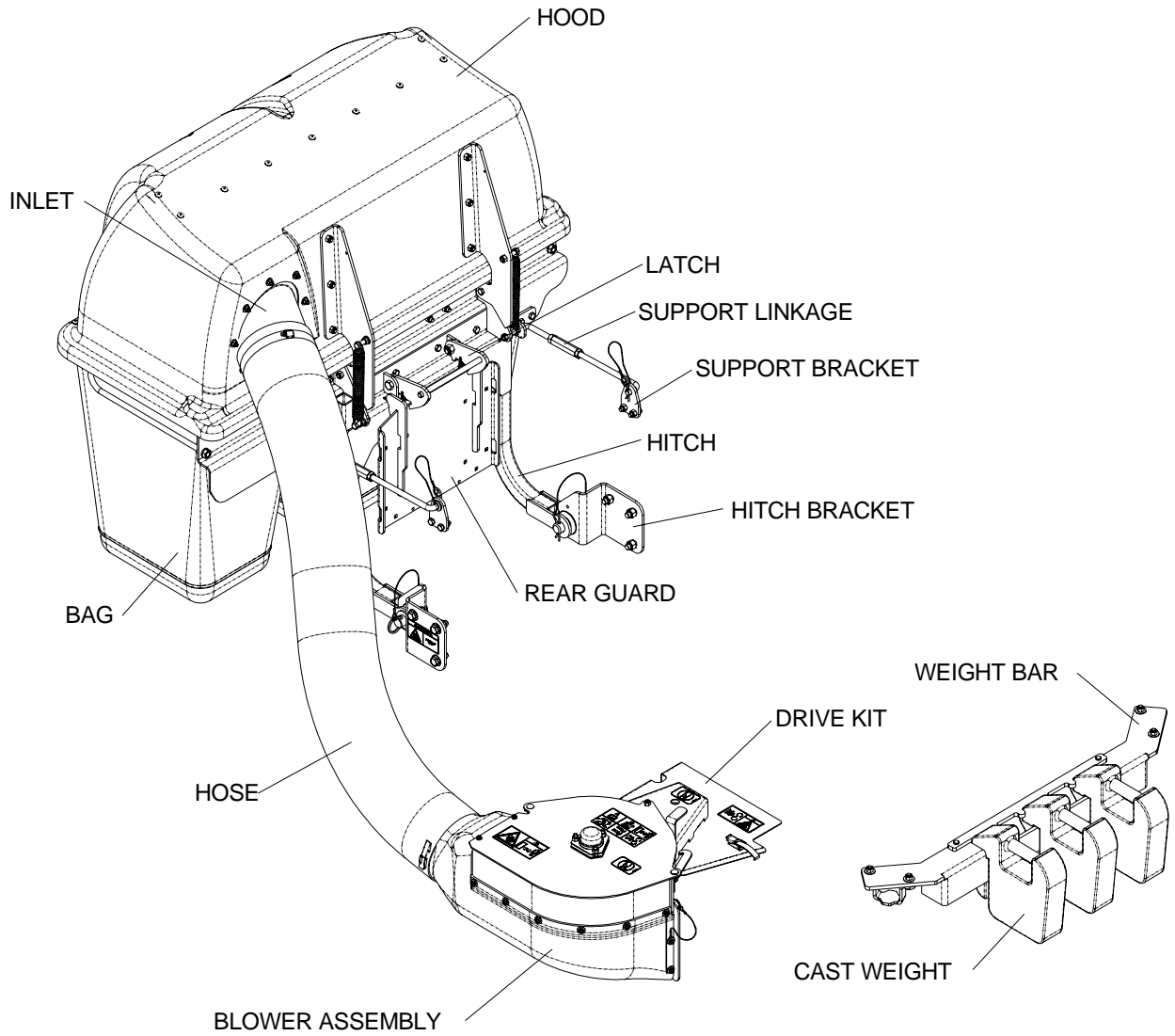
| | |
|---|----|
| Transport | 15 |
| Cleaning and Washing | 15 |
| Storage | 15 |
| Preventative Maintenance Schedule | 15 |
| Caring for Vacuum Hoses | 16 |
| Cleaning Poly Mesh | 16 |
| Caring for Bags | 16 |
| Troubleshooting Guide | 17 |

Replacement Parts

| | |
|----------------------------------|----|
| Hood Assembly | 20 |
| Hitch Assembly | 22 |
| Blower Assembly | 24 |
| Weight Kit (Model HCS13) | 26 |
| Weight Kit (Model HCS9) | 27 |
| Mounting Kit (Model HCS13) | 28 |
| Mounting Kit (Model HCS9) | 30 |
| Bag Assembly | 32 |
| Drive Kit (42" Deck) | 33 |
| Drive Kit (48" Deck) | 34 |
| Drive Kit (52" Deck) | 35 |
| Drive Kit (61" Deck) | 36 |

WARNING: Engine exhaust, some of its constituents, and certain vehicle components contain or emit chemicals known to the State of California to cause cancer and birth defects or other reproductive harm.

FEATURES & CONTROLS



NOTE: Your Front Weight Bar may look different from those shown in this diagram.

SAFETY RULES

General Information

This manual will assist you in the safe operation and proper maintenance of your Husqvarna equipment. Read it thoroughly before attempting to operate the machine. Call your dealer or Husqvarna if additional information is required.

The following safety symbols are used throughout the manual to alert you to information about unsafe actions or situations:



DANGER indicates immediate hazards that may result in severe injury or death.



WARNING indicates unsafe actions or situations that may cause severe injury, death, and/or major equipment or property damage.



CAUTION indicates unsafe actions or situations that may cause injury and/or minor equipment or property damage.

This equipment should not be modified without the manufacturer's prior written authorization. Doing so may not only affect the equipments' performance and durability, but also create safety hazards for the operator and the surroundings. Warranty will be void if changes are made to the equipment without the manufacturer's prior written authorization.

Safety Procedures

1 - Training:

- Read the Operator's manual. If the operator(s) or mechanic(s) can not read English it is the owner's responsibility to explain this material to them.
- Become familiar with the safe operation of the equipment, operator's controls, and safety signs.
- All operators and mechanics should be trained. The owner is responsible for training the users.
- Never let children or untrained people operate or service the equipment. Local regulations may restrict the age of the operator.
- The owner/user can prevent and is responsible for accidents or injuries occurring to themselves, other people, and/or property.

2 - Preparation:

- Wear appropriate clothing including hard hat, safety glasses and ear protection. Long hair, loose clothing or jewelry may get tangled in moving parts.
- Inspect the area where the equipment is to be used and remove all objects such as rocks, toys and wire which can be thrown by the machine.
- Use extra care when handling gasoline and other fuels. They are flammable and vapors are explosive. Use only an approved container. Never remove gas cap or add fuel with engine running. Allow engine to cool before refueling. Do not smoke while fueling or operating equipment. Never refuel or drain the machine indoors.
- Check that operator's controls, safety switches, hoses, and shields are securely attached and functioning properly. Do not operate unless they are functioning properly.

SAFETY RULES

3 - Operation

- Never run an engine in an enclosed area.
- Only operate in good light, keeping away from holes and hidden hazards.
- Slow down and use extra care on hillsides. Make turns gradually and at slow speed. Do not operate across the sides of slopes. Operate up and down slopes only. Do not operate on steep slopes.
- Turf conditions can affect the machine's stability. Do not operate on wet grass where traction may be reduced.
- Do not change the engine governor setting or overspeed the engine.
- Stop equipment and inspect vacuum impeller and hoses after striking objects or if an abnormal vibration occurs. Make necessary repairs before resuming operations.
- Look behind and down before backing up to ensure a clear path.
- Slow down and use caution when making turns and crossing roads and sidewalks. Stop vacuum and mower blades if not mowing.
- Do not operate machine under the influence of alcohol or drugs.

- Use care when loading or unloading the machine into a trailer or truck.
- Use care when approaching blind corners, shrubs, trees, or other objects that may obscure vision.

4 - Maintenance and Storage:

- Stop engine and disconnect spark plug wire. Wait for all movement to stop before adjusting, cleaning, or repairing.
- Clean grass and debris from muffler and engine to help prevent fires. Clean up oil or fuel spillage.
- Let engine cool before storing and do not store near sparks or open flame.
- Shut off fuel while storing. Do not store fuel near flames or drain indoors.
- Never allow untrained personnel to service machine.
- Keep hands and feet away from moving parts. If possible, do not make adjustments with the engine running.
- Keep all parts in good working condition and all hardware tightened. Replace all worn or damaged decals.

ASSEMBLY

Unpacking Instructions

1. Cut plastic tie securing the hitch to the crate top.
2. Remove the top of the crate.
3. Remove the plastic bag.
4. Remove the hose.
5. Remove the sides and ends of the crate.
6. Remove the mounting kit box from the corner of the crate.
7. Cut the two plastic ties that secure the hitch assembly to the pallet. Remove the hitch assembly.
8. Cut the two plastic ties that secure the back of the hood, and the two that secure the front of the hood. Remove the hood assembly.
9. Cut and two plastic ties that secure the weight bar to the pallet. Remove the weight bar.
10. Cut the two plastic ties that secure the blower assembly to the pallet. Remove the blower assembly.
11. Remove the 1 x 4 that secures the cast weights to the pallet. Remove the weights.

Assembly Instructions

Collection System

Tools Required:

| | |
|---------------|--------------------|
| Ratchet | (2) 3/4" Wrench |
| Torque Wrench | 3/4" Socket |
| 1/2" Wrench | Flat Screw Driver |
| 1/2" Socket | 5/32" Allen Wrench |
| 9/16" Wrench | Hacksaw |
| 9/16" Socket | 11/32" Drill Bit |
| 5/8" Socket | Drill |

1. Open the mounting kit box and remove all of the components.
2. Place the support bracket on the frame and secure with (2) 990563, 3/8 x 1 bolts and (2) 976979, 3/8 nyloc nuts. Figure 1.
3. Place the hitch brackets on the frame and secure with (3) 990622, 1/2 x 1 1/4 bolts and (3) 101331, 1/2 nyloc nuts. Figure 1.

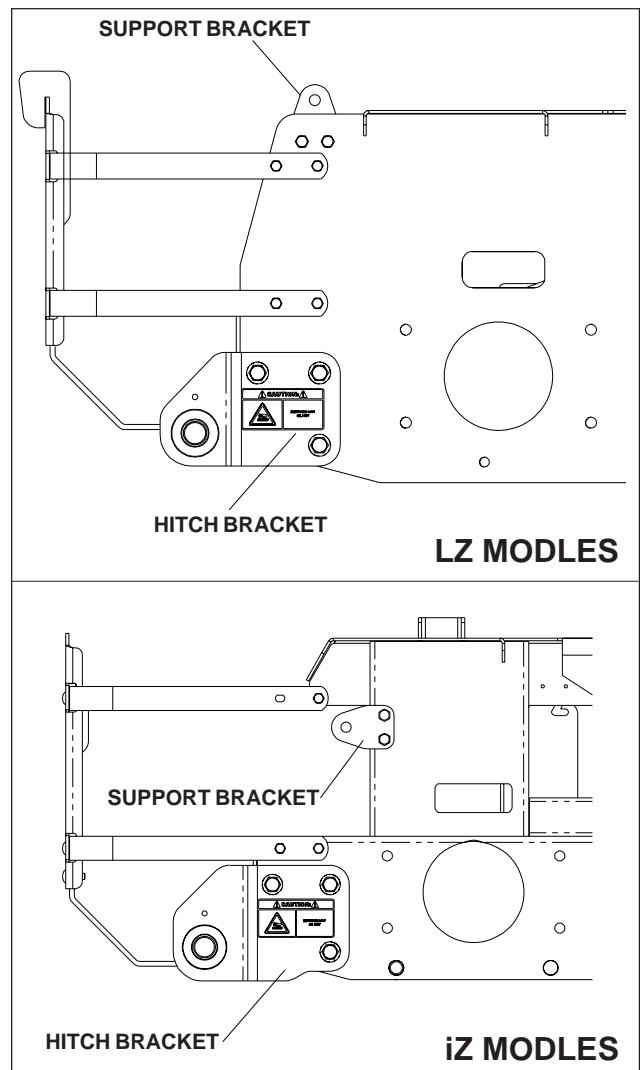


FIGURE 1

ASSEMBLY

4. Remove the (10) 5/16 carriage bolts that secure the standard rear guard to the straps and skid plates. Remove the standard rear guard. Replace with the collection rear guard, and secure with the carriage bolts that were just removed. Figure 2.

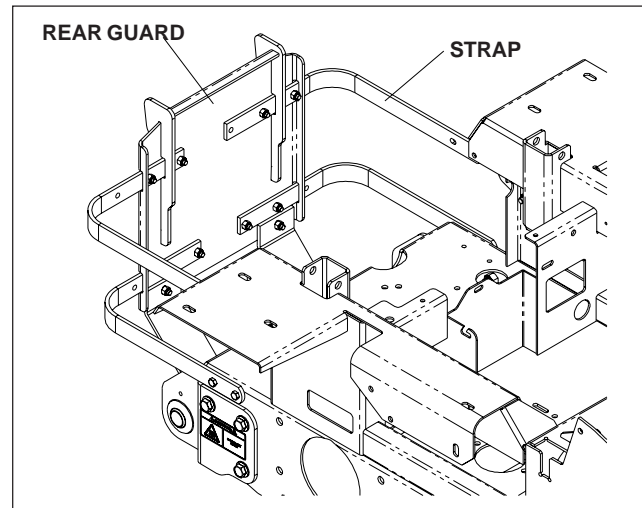
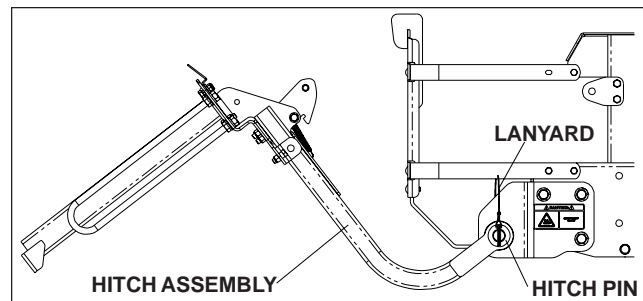


FIGURE 2

5. Place the hitch assembly on the ground behind the mower. Place the (2) hitch pins thru the hitch and the hitch brackets. Secure the hitch pins with the (2) hairpins that are secured with the (2) lanyards. Figure 3.



6. Move to the rear of the hitch assembly and pick it up towards the rear guard. The latch will hook over the top of the rear guard. Figure 3.

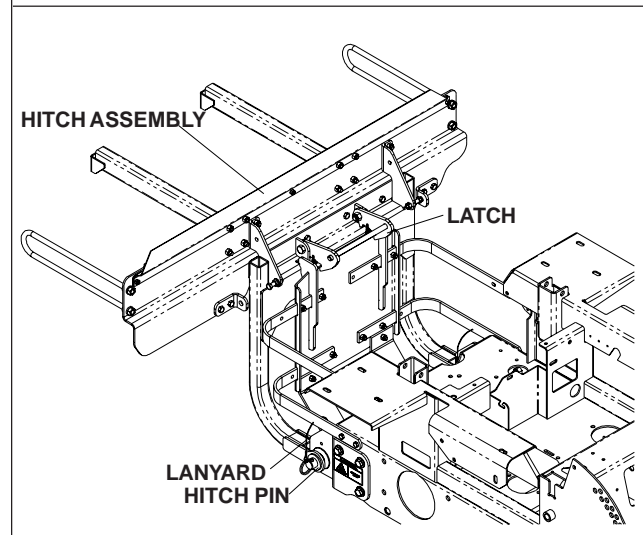


FIGURE 3

ASSEMBLY

7. Place the hood assembly on to the hitch assembly. Place both hood hinges between the upper hitch mounts on the hitch assembly. Be sure that the rubber seal is on the inside of the hood. Place the (2) friction washers between the hood hinge and the upper hitch mount. Place (2) 990563, 3/8 x 1 bolt thru the hinge and mount. Secure with (2) 976979, 3/8 nyloc nut. Figure 4.
8. Open the hood and secure the (2) springs to the bolts on the hood assembly and the hitch assembly. Figure 4.

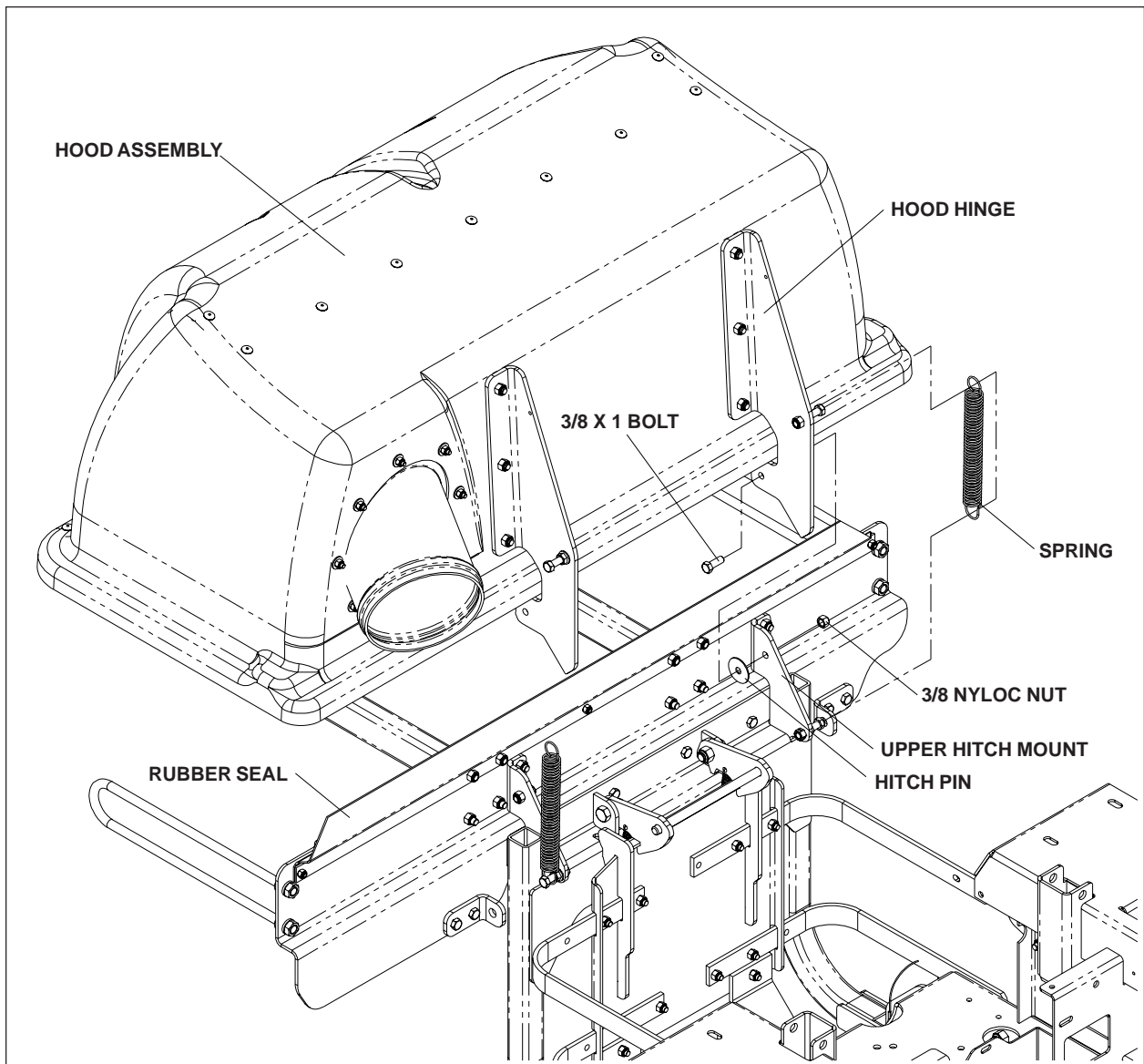


FIGURE 4

ASSEMBLY

9. With the hood open, secure the (3) bags in place. The back of the bags will hook over the mounting tabs on the hitch assembly. Figure 5.
10. Close the hood, and latch the draw latch over the draw latch keeper on the hitch assembly. Figure 5.

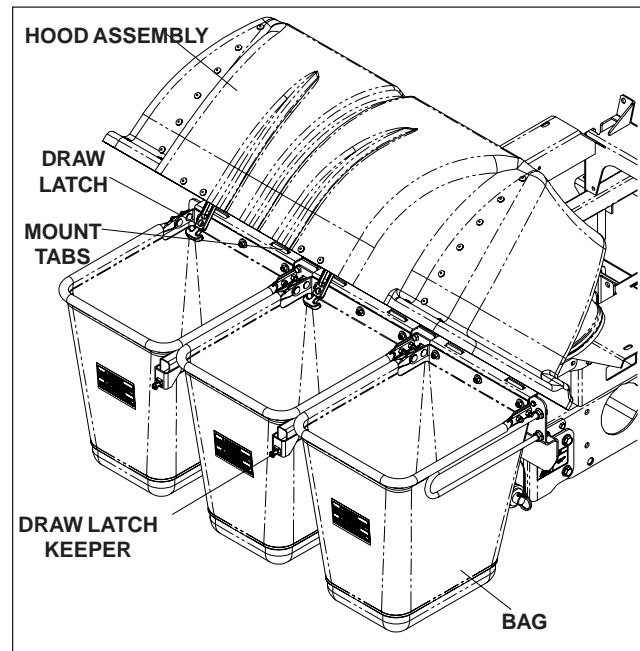


FIGURE 5

11. Install the (2) linkage assemblies to the (2) support brackets on hitch assembly and the (2) support brackets on the frame. The shorter linkage connects to the support bracket on the hitch assembly. Figure 6.

NOTE: The linkage assemblies may need to be adjusted. Using (2) 3/4" wrenches, loosen the 1/2" jam nut on the longer linkage. Turn the turnbuckle in the appropriate direction to shorten the linkage assembly. Turn until the slop is taken out of the linkages. Tighten the jam nut against the turnbuckle.

12. Secure the front of the linkage assemblies using the hairpin secured by the lanyard. Secure the rear of the linkages using the (2) 990654, cotter pins provided. Figure 6.
13. Place the hose on the inlet and secure with the hose clamp.

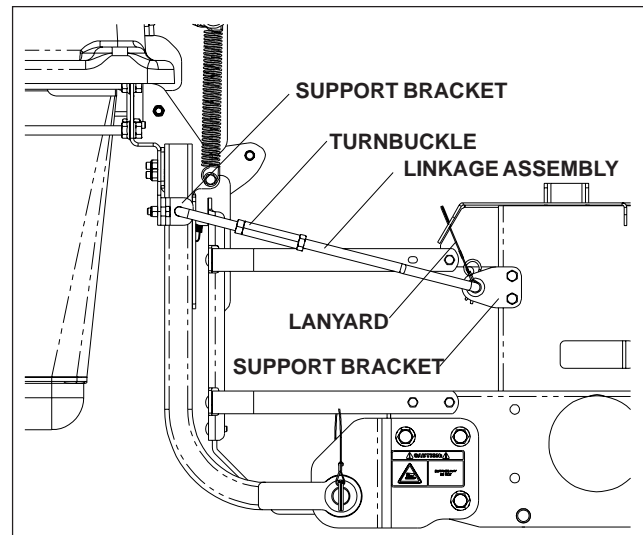


FIGURE 6

ASSEMBLY

Blower/Drive Kit

1. Open the drive kit box and remove all of the components.
2. Place the deck in the lowest cutting height.
3. Remove the right side belt shield from the deck.
4. Remove the deck belt from the right side pulley.
5. Remove the deck pulley.

Note: When the deck pulley is removed, the spindle can fall out of the cutter housing assembly. Be sure to secure the bottom of the spindle so that this does not happen.

6. Place the double pulley on the cutter housing assembly.
7. Place the heavy washer, and 7/16 lock washer on the 108951, 7/16 x 2 1/2 bolt and install in the spindle. Torque to 45 ft/lbs.
8. Place the blower assembly on it's top.
9. Using the 5/32" allen wrench, remove the 111229, 1/4 x 5/8 screw on the pulley shield. Figure 1.
10. Loosen the nut on the belt guide, and install the belt on the pulley. Figure 2.
11. Place the belt guide approximately 1/8" away from the pulley and re-tighten the nut. Figure 1.

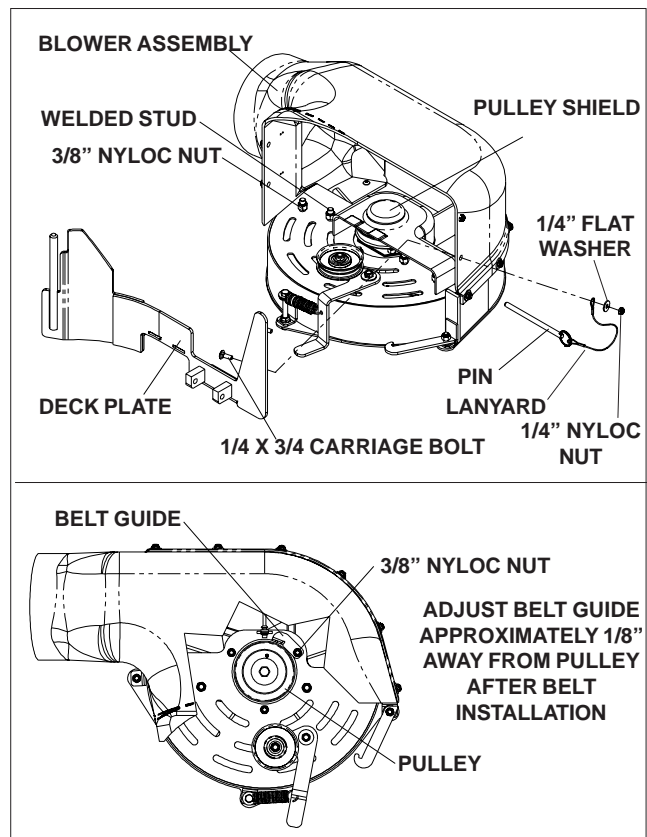


FIGURE 1

ASSEMBLY

12. Re-install the pulley shield.
13. Cut the blower housing along the dashed line to fit the 52" and 61" decks. Drill the two small holes indicated with the 11/32" drill bit. The blower housing will fit 42" and 48" units with no modifications. Figure 2.
14. Remove the (4) 1/4 x 3/4 carriage bolts from the deck plate, and the (4) 3/8" nyloc nuts from the inside of the blower housing. Figure 1.
15. Place the deck plate on the welded studs in the blower housing. Install and tighten the (4) 3/8" nyloc nuts that were just removed. Figure 1.
16. Install the (4) 990074, 1/4 x 3/4 carriage bolts thru the square holes in the deck plate from the inside out.
17. Place the (4) 990598, 1/4 flat washers and (4) 108120, 1/4" nyloc nuts on the carriage bolts. The lanyard must be placed on the top front carriage bolt between the flat washer and the blower housing. Tighten the nuts. Figure 1.

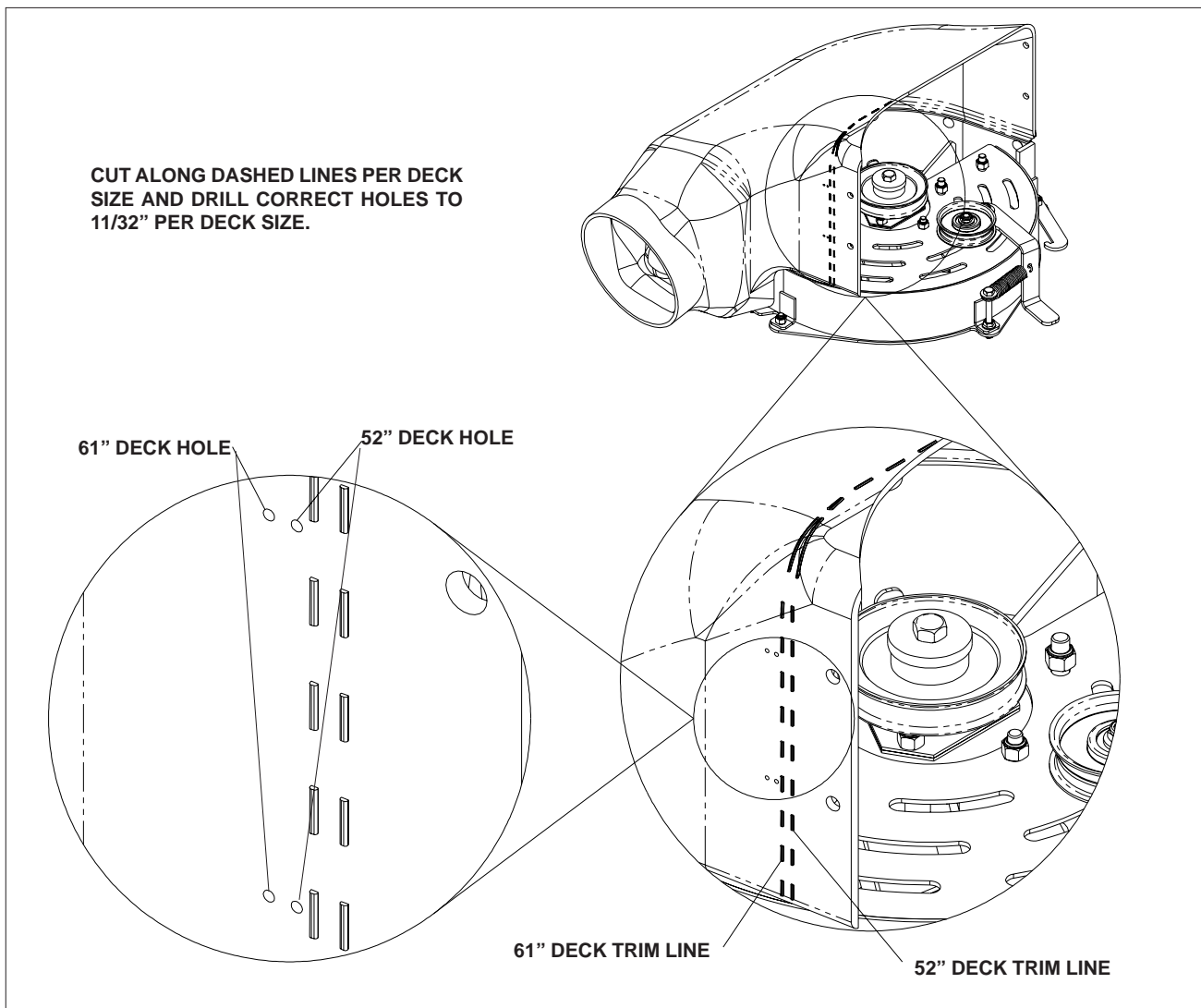


FIGURE 2

ASSEMBLY

18. Remove the discharge chute from the deck.
19. Place the deck plate pin in the tube on the back edge of the deck. Rotate the blower around and into place. Figure 3.
20. Install the pin thru the tabs on both the deck and the blower. Figure 3.
21. Latch the idler arm in the idler keeper. Figure 3.
22. Install the belt on the deck pulley and release the idler arm from the keeper.
23. Install the new belt shield.
24. Place the hose on the blower housing and secure with the over center hose clamp.

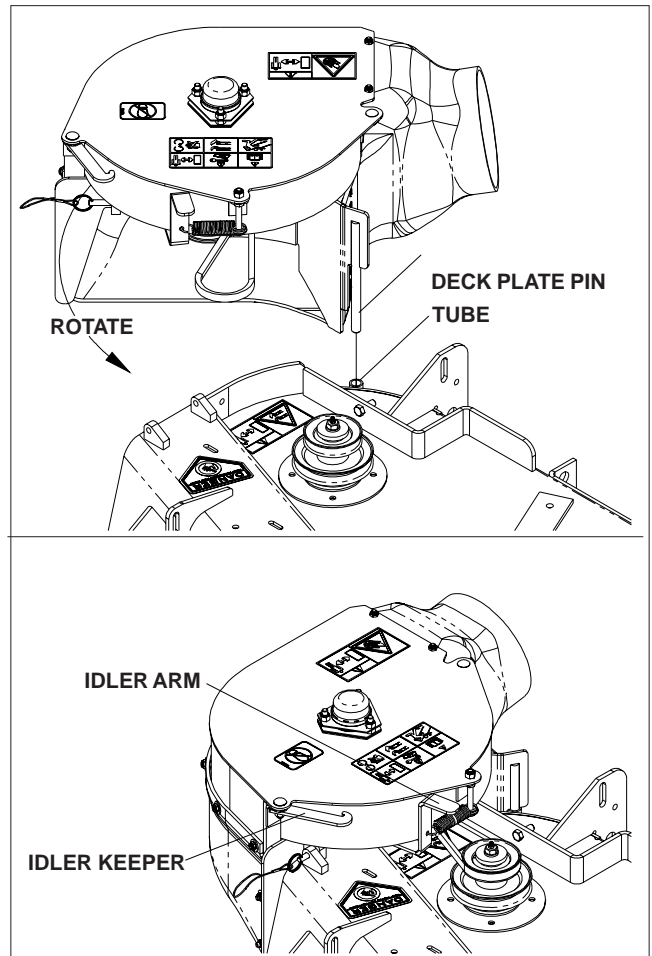


FIGURE 3


OPERATION

Operating the Collection System

1. **NEVER USE THE COLLECTION SYSTEM WITHOUT THE BLOWER ASSEMBLY AND HOSES SECURELY ATTACHED.**
2. Make sure hoses are connected at both ends. Inspect hoses prior to each use.
3. Do not use the unit on slopes greater than 10 degrees.
4. The mower must be running in order to vacuum debris through the mower deck.
5. In heavy grass it may be necessary to mow and collect at a slower ground speed.
6. Never attempt to unclog the collection system until the mower's engine has been shut off and all moving parts have come to a complete stop.
7. Do not stand behind the vent at the rear of the collection system due to the potential for small pieces of blowing debris to escape through the vent.
8. Wear eye and ear protection.

SERVICE AND MAINTENANCE

Transport



WARNING

The collection system bags must be completely empty or removed while driving forward onto a trailer. If the mower must be loaded onto a trailer while there is still debris in the container, the mower must be backed up onto the trailer to avoid tipping.

For best results, clean poly mesh inside hood regularly. Instructions for doing this can be found in the Service section of this manual.

Cleaning and Washing

Regular cleaning, washing, and lubricating will prolong the service of the machine.

NOTE: Use care with power washers to avoid damage to decals. Limit direct spray on these items.

DO NOT EXCEED 1000 PSI WATER PRESSURE FOR CLEANING.

Storage

1. Clean machine.
2. Cover all scratches with touch-up paint.
3. Covered or indoor storage is recommended.

Preventative Maintenance Schedule

| Item | Before Each Use | Every 5 Hours | Every 25 Hours | Every 50 Hours |
|----------------------------|-----------------|---------------|----------------|----------------|
| Inspect/Clean Poly Mesh | X | X | | |
| Check/Tighten Nuts & Bolts | X | | | |
| Check/Tighten Hoses | X | | | |
| Turn Hose End to End | | | X | |
| Rotate Hose | | | | X |
| Clean Machine | | | | X |
| Inspect Bags | X | | | |

SERVICE AND MAINTENANCE

Caring For Hoses

1. Inspect hoses before each use. If hoses have excessive wear, tears, or punctures, replace immediately.
2. To prolong the life of the hose, periodically rotate hose and turn hose end to end. Refer to Preventative Maintenance Schedule in this manual.
3. Avoid twists and sharp turns in the hoses, as they will increase wear on the hoses.
4. Avoid dragging the lower hose along the sides of buildings or other hard surfaces.

Cleaning Poly Mesh

The poly mesh on the collection system is located inside the container hood. For best results, clean poly mesh regularly.

Cleaning Instructions

1. Shut off engine.
2. Release the two (2) rubber latches under the rear of the hood. Open hood and brush debris off of both sides.
3. Close hood and re-latch.

DO NOT USE THE COLLECTION SYSTEM WITHOUT POLY MESH SECURELY IN PLACE.

Caring For Bags

Inspect the bags before each use. If bags have excessive wear, tears or punctures, replace immediately.

Cleaning Instructions

NOTE: Under normal usage the bag material is subject to deterioration and wear.

SERVICE AND MAINTENANCE

Troubleshooting Guide

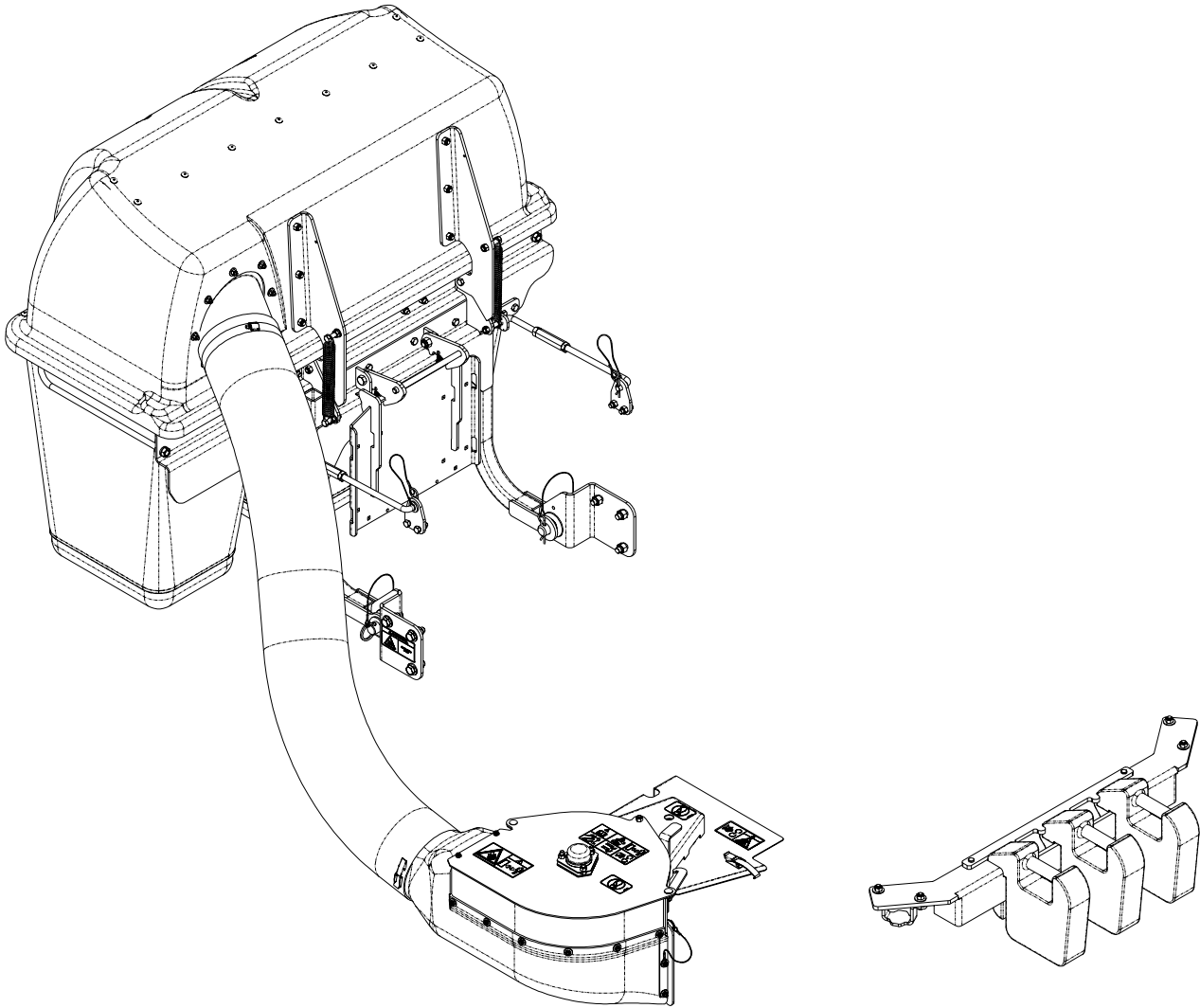


DANGER

Before servicing unit, wait for all moving parts to come to a complete stop. Turn engine off and remove the spark plug wire.

| PROBLEM | POSSIBLE CAUSE | CORRECTION |
|-----------------------------|--|---|
| Loss of Vacuum. | <ol style="list-style-type: none">1. Blower, hose or hood inlet clogged.2. Bags full.3. Fan blades bent or broken.4. Poly mesh plugged. | <ol style="list-style-type: none">1. Remove hose and clean inlet.2. Inspect and empty.3. Replace/repair impeller.4. Clean poly mesh. |
| Unusual vibration or noise. | <ol style="list-style-type: none">1. Solid object jammed in unit.2. Loose or missing bolts on unit.3. Bent or damaged fan. | <ol style="list-style-type: none">1. Check and remove any obstruction.2. Tighten or replace bolts.3. Replace/repair impleller. |
| Unit difficult to close. | <ol style="list-style-type: none">1. Obstructions keeping door from completely closing.2. Hood hinge bolts too tight. | <ol style="list-style-type: none">1. Clear obstructions.2. Loosen bolts. |

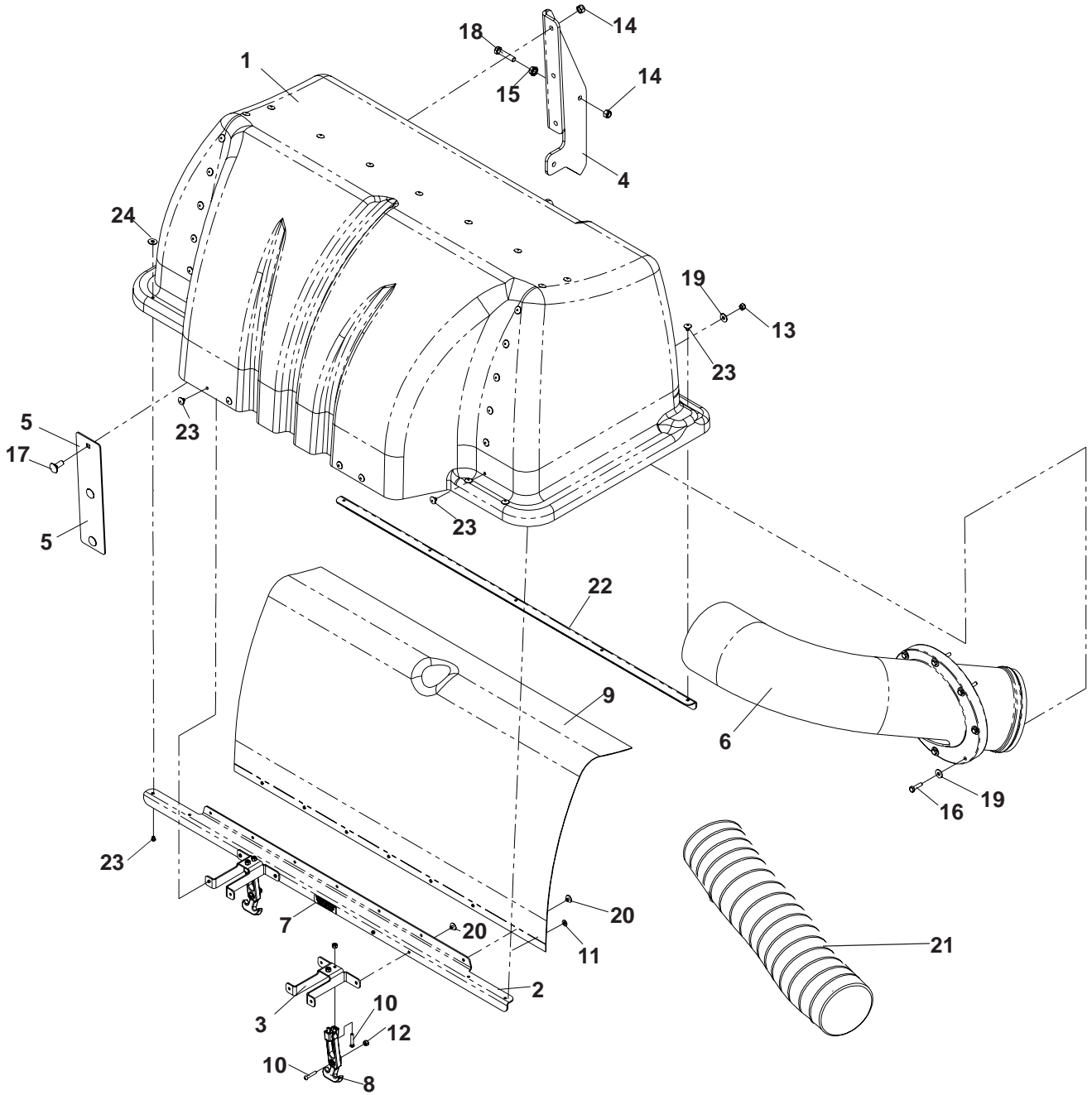
SPINDLE DRIVE ASSEMBLY



NOTE: Your Front Weight Bar may look different from those shown in this diagram.

PARTS ILLUSTRATIONS

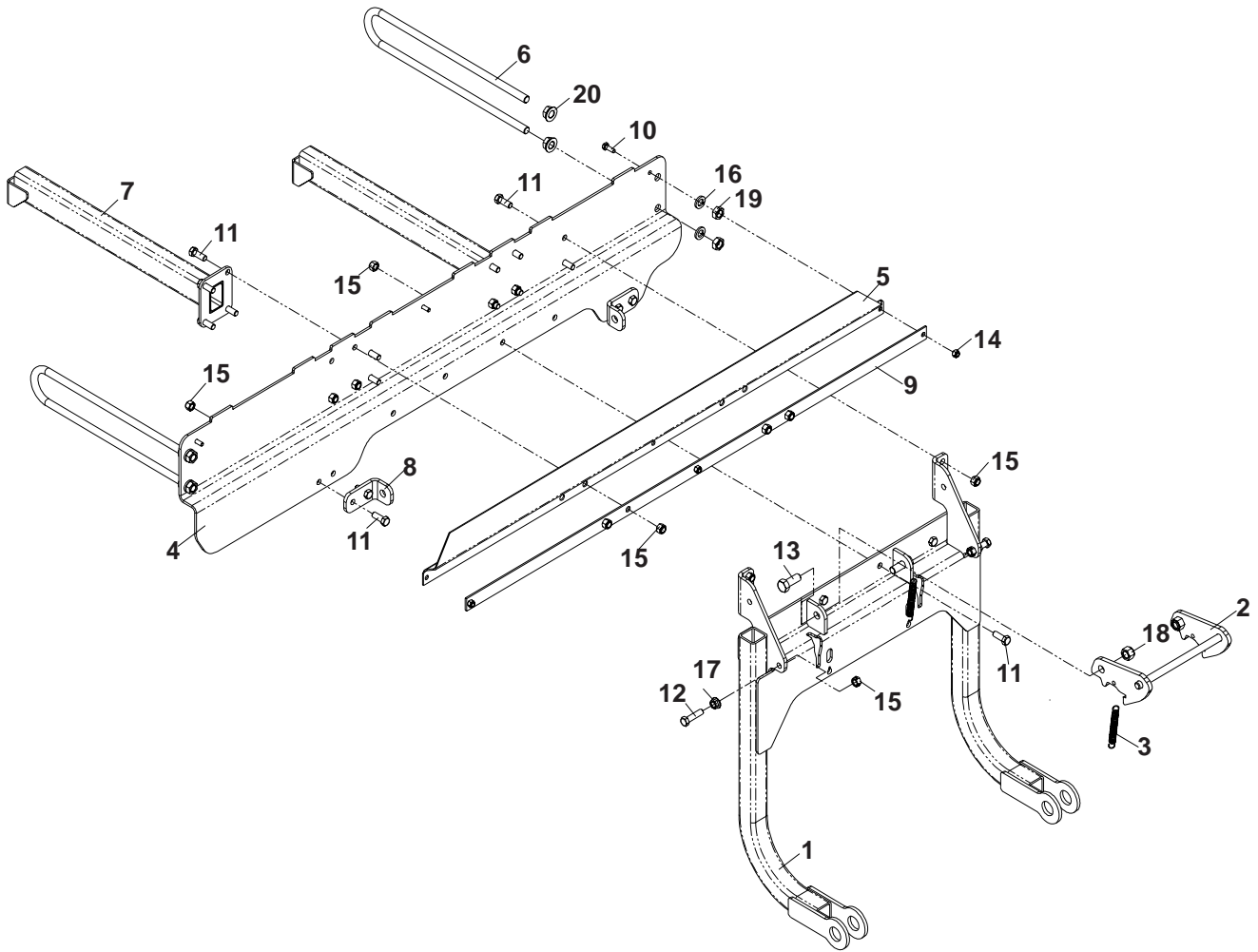
HOOD ASSEMBLY



HOOD ASSEMBLY

| ITEM | PART NO. | QTY | DESCRIPTION |
|------|-----------|-----|-------------------------------|
| 1 | 539111172 | 1 | HOOD |
| 2 | 539111174 | 1 | HOOD SUPPORT |
| 3 | 539111175 | 2 | SUPPORT, DRAW LATCH |
| 4 | 539111177 | 2 | HOOD HINGE |
| 5 | 539111181 | 2 | MOUNT PLATE |
| 6 | 539111182 | 1 | INLET TUBE |
| 7 | 539111260 | 1 | DECAL, VENTILATION |
| 8 | 539200478 | 2 | DRAW LATCH, FLEXIBLE T-HANDLE |
| 9 | 539111183 | 1 | MESH, POLY DIAMOND |
| 10 | 539111186 | 6 | SCREW, #10-24 X 1 1/8, MACH. |
| 11 | 539105408 | 21 | WASHER, #10 |
| 12 | 539976977 | 6 | NUT, #10-24, NYLOC |
| 13 | 539976978 | 8 | NUT, 1/4C, NYLOC |
| 14 | 539976979 | 8 | NUT, 3/8C, NYLOC |
| 15 | 539990613 | 2 | NUT, 3/8C |
| 16 | 539991003 | 8 | HCS, 1/4-20 X 1 3/4 |
| 17 | 539990645 | 6 | RHSNB, 3/8-16 X 1 |
| 18 | 539990730 | 2 | HCS, 3/8-16 X 1 3/4 |
| 19 | 539990598 | 16 | WASHER, 1/4 |
| 20 | 539102744 | 11 | RIVET, 3/16 X 1/4 |
| 21 | 539111287 | 1 | HOSE, 58", MODEL HCS13 |
| | 539111314 | 1 | HOSE, 54", MODEL HCS9 |
| 22 | 539111339 | 1 | HOOD SUPPORT, REAR |
| 23 | 539200684 | 30 | RIVET, 1/4 STAVEX |
| 24 | 539110033 | 8 | WASHER, #10 |

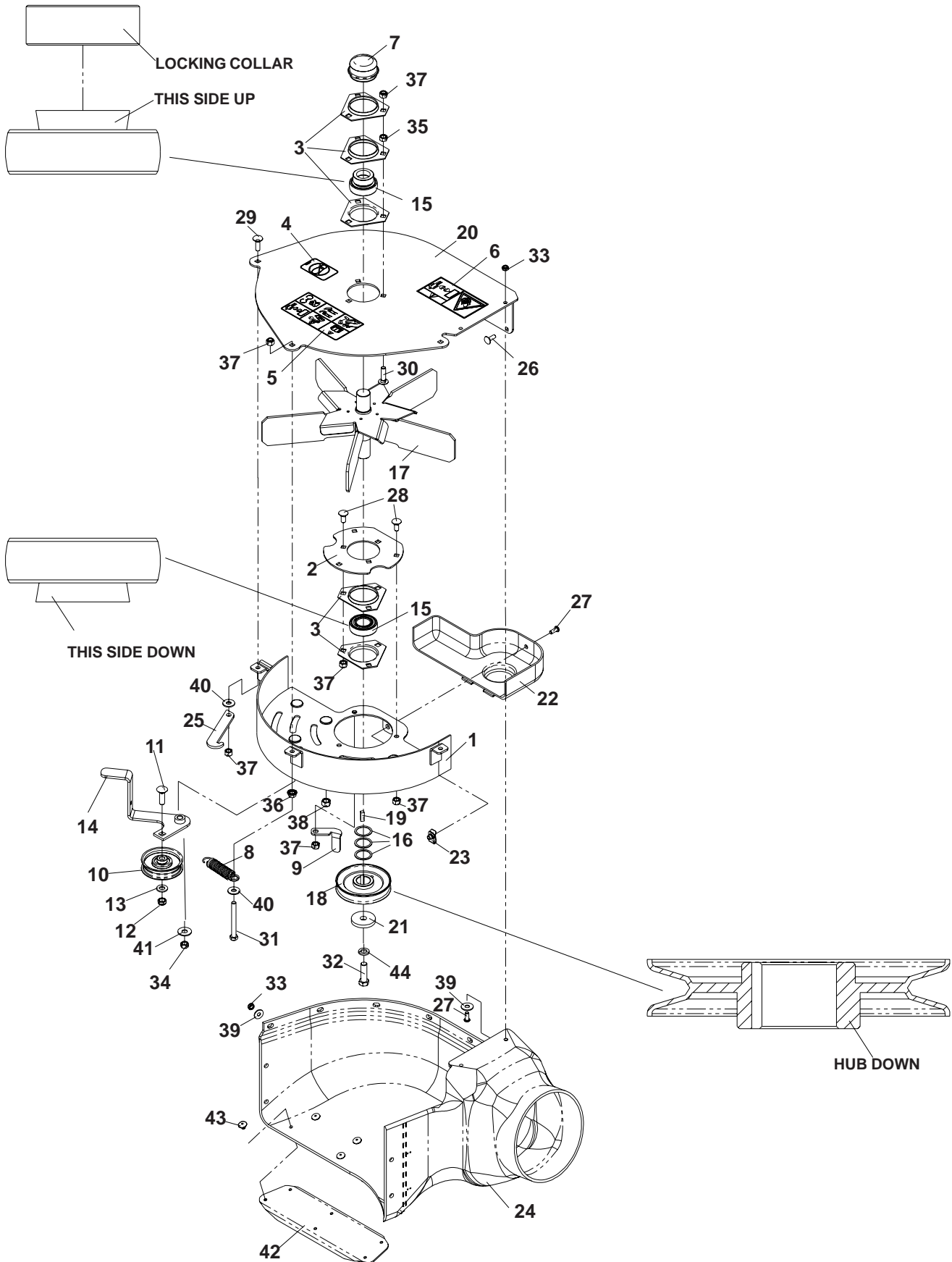
HITCH ASSEMBLY



HITCH ASSEMBLY

| ITEM | PART NO. | QTY | DESCRIPTION |
|------|-----------|-----|-----------------------|
| 1 | 539111155 | 1 | HITCH |
| 2 | 539111190 | 1 | LATCH |
| 3 | 539977250 | 2 | SPRING |
| 4 | 539111157 | 1 | MOUNT Z BRACE |
| 5 | 539111167 | 1 | SEAL, RUBBER |
| 6 | 539111158 | 2 | SUPPORT, OUTER |
| 7 | 539111162 | 2 | SUPPORT ARM |
| 8 | 539111267 | 2 | BRACKET, SUPPORT |
| 9 | 539111171 | 1 | SEAL STRAP |
| 10 | 539990580 | 3 | HCS, 1/4-20 X 3/4 |
| 11 | 539990563 | 20 | HCS, 3/8-16 X 1 |
| 12 | 539990655 | 2 | HCS, 3/8-16 X 1 1/2 |
| 13 | 539108369 | 2 | HCS, 1/2-13 X 1 1/4 |
| 14 | 539976978 | 3 | NUT, 1/4C, NYLOC |
| 15 | 539976979 | 22 | NUT, 3/8C, NYLOC |
| 16 | 539990254 | 4 | WASHER, 1/2 |
| 17 | 539990613 | 2 | NUT, 3/8C |
| 18 | 539101331 | 2 | NUT, 1/2C, NYLOC |
| 19 | 539990625 | 4 | NUT, 1/2, JAM |
| 20 | 539111187 | 4 | NUT, 1/2-13, WHIZLOCK |

BLOWER ASSEMBLY

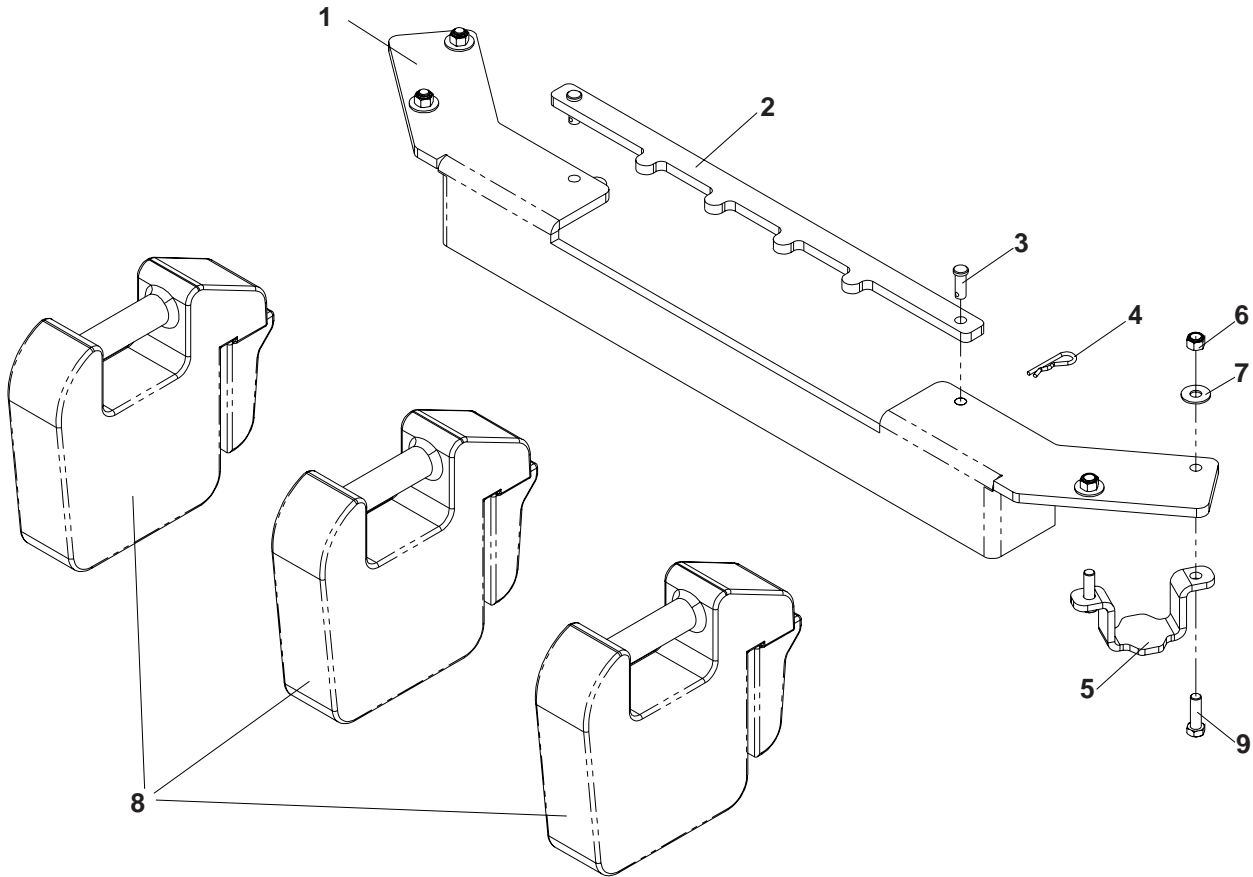


BLOWER ASSEMBLY

| ITEM | PART NO. | QTY | DESCRIPTION |
|------|-----------|-----|----------------------------------|
| 1 | 539111225 | 1 | FLOOR WELDMENT |
| 2 | 539111227 | 1 | BEARING PLATE |
| 3 | 539102691 | 5 | FLANGETTE |
| 4 | 539105743 | 1 | DECAL, NO STEP |
| 5 | 539105785 | 1 | DECAL, WARNING |
| 6 | 539106741 | 1 | DECAL, SERVERING |
| 7 | 539102535 | 1 | GREASE CAP |
| 8 | 539916159 | 1 | SPRING |
| 9 | 539111184 | 1 | BELT GUIDE |
| 10 | 539106721 | 1 | IDLER |
| 11 | 539100413 | 1 | RHSNB, 3/8-16 X 1 1/4, GR5 |
| 12 | 539200282 | 1 | NUT, 3/8-16, JAM NYLOC |
| 13 | 539990122 | 1 | WASHER, 3/8, SAE |
| 14 | 539111218 | 1 | IDLER ARM |
| 15 | 539106786 | 2 | BEARING |
| 16 | 539102244 | 3 | BUSHING, MACHINE, 18 GA |
| 17 | 539111332 | 1 | FAN WELDMENT |
| 18 | 539106713 | 1 | SHEAVE, 4" |
| 19 | 539102067 | 1 | KEY, 1/4" SQ. X 3/4" |
| 20 | 539111331 | 1 | FAN COVER |
| 21 | 539106504 | 1 | WASHER, HEAVY |
| 22 | 539111228 | 1 | PULLEY SHIELD |
| 23 | 539110813 | 1 | RETAINER, 1/4C, "U" TYPE |
| 24 | 539111220 | 1 | BLOWER HOUSING |
| 25 | 539111265 | 1 | KEEPER, IDLER |
| 26 | 539990074 | 6 | RHSNB, 1/4-20 X 3/4, GR2 |
| 27 | 539111229 | 3 | SCREW, 1/4-20 X 5/8, BTN, SKT HD |
| 28 | 539880316 | 7 | RHSNB, 5/16 X 3/4 |
| 29 | 539990208 | 1 | RHSNB, 5/16-18 X 1, GR5 |
| 30 | 539100472 | 3 | RHSNB, 5/16C X 1 1/4 |
| 31 | 539101721 | 1 | HCS, 5/16-18 X 2 3/4, GR5 |
| 32 | 539100141 | 1 | HCS, 7/16-20 X 1 1/2, GR5 |
| 33 | 539108120 | 8 | NUT, 1/4C, THIN NYLOC |
| 34 | 53999184 | 1 | NUT, 5/16C, CENTERLOCK |
| 35 | 539990196 | 3 | NUT, 5/16C |
| 36 | 539990585 | 1 | NUT, 5/16C |
| 37 | 539990717 | 12 | NUT, 5/16C, NYLOC |
| 38 | 539976979 | 4 | NUT, 3/8C, NYLOC |
| 39 | 539990598 | 8 | WASHER, 1/4 |
| 40 | 539990692 | 2 | WASHER, 5/16 |
| 41 | 539990517 | 1 | WASHER, 3/8 |
| 42 | 539111340 | 1 | BLOWER SUPPORT |
| 43 | 539102744 | 6 | RIVET |
| 44 | 539990247 | 1 | LOCKWASHER, 7/16 |

WEIGHT KIT

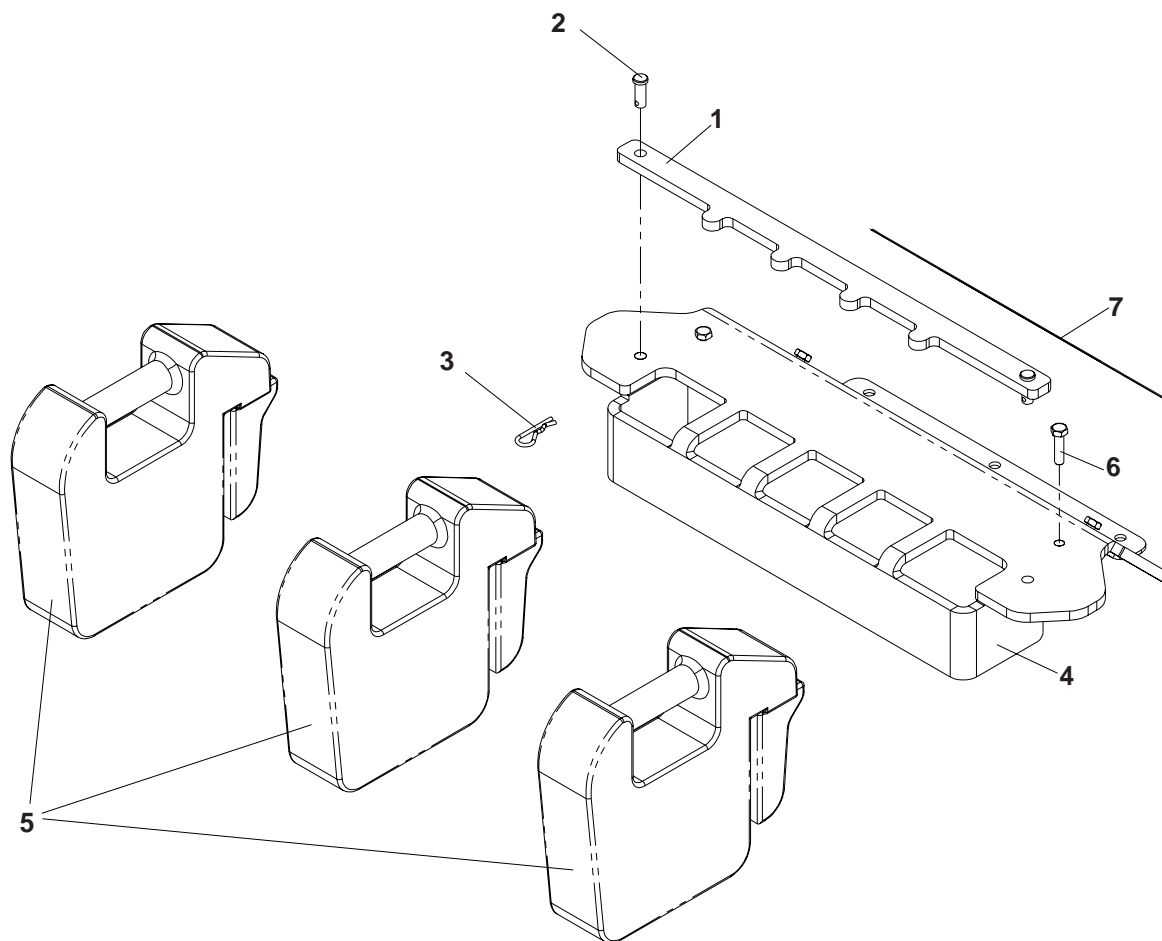
MODEL HCS13



| ITEM | PART NO. | QTY | DESCRIPTION |
|------|-----------|-----|--------------------------|
| 1 | 539020255 | 1 | WEIGHT BAR, FRONT |
| 2 | 539111313 | 1 | HOLD DOWN, WEIGHT BAR |
| 3 | 539102049 | 2 | CLEVIS PIN |
| 4 | 539108096 | 2 | SPRING RETAINER |
| 5 | 539111259 | 2 | WEIGHT KEEPER |
| 6 | 539976979 | 4 | NUT, 3/8, NYLOC |
| 7 | 539990517 | 4 | WASHER, 3/8 |
| 8 | 539000019 | 3 | CAST COUNTERWEIGHT |
| 9 | 539976941 | 4 | HCS, 3/8-16 X 1 1/4, GR5 |

WEIGHT KIT

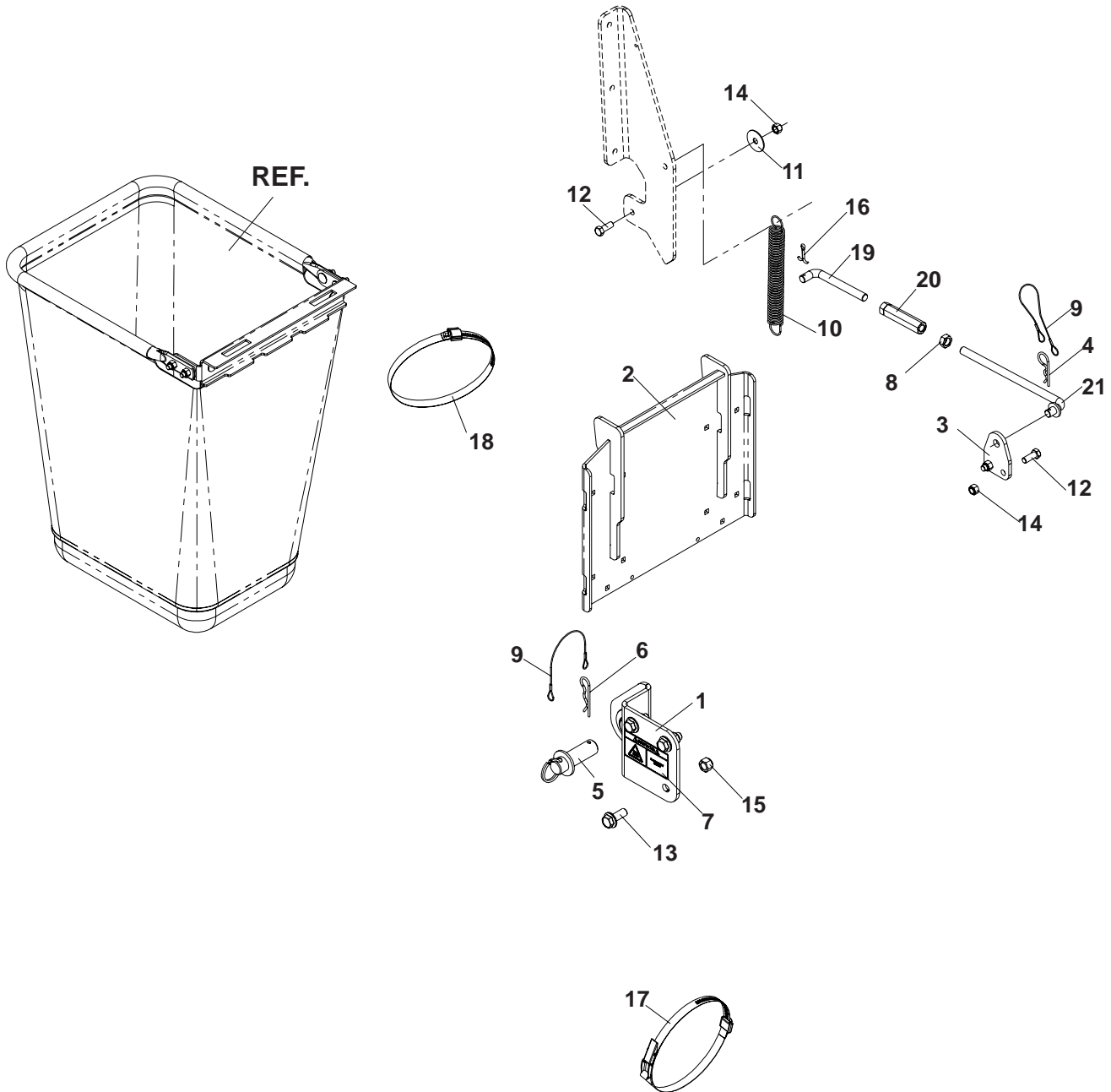
MODEL HCS9



| ITEM | PART NO. | QTY | DESCRIPTION |
|------|-----------|-----|---------------------------|
| 1 | 539111313 | 1 | HOLD DOWN, WEIGHT BAR |
| 2 | 539102049 | 2 | CLEVIS PIN |
| 3 | 539108096 | 2 | SPRING RETAINER |
| 4 | 539111337 | 1 | WEIGHT BAR |
| 5 | ER92531 | 3 | CAST COUNTERWEIGHT |
| 6 | 539990627 | 4 | HCS, 5/16-18 X 1 1/4, GR5 |
| 7 | 539977778 | 1 | PAD, ABRASIVE |

MOUNTING KIT

MODEL HCS13



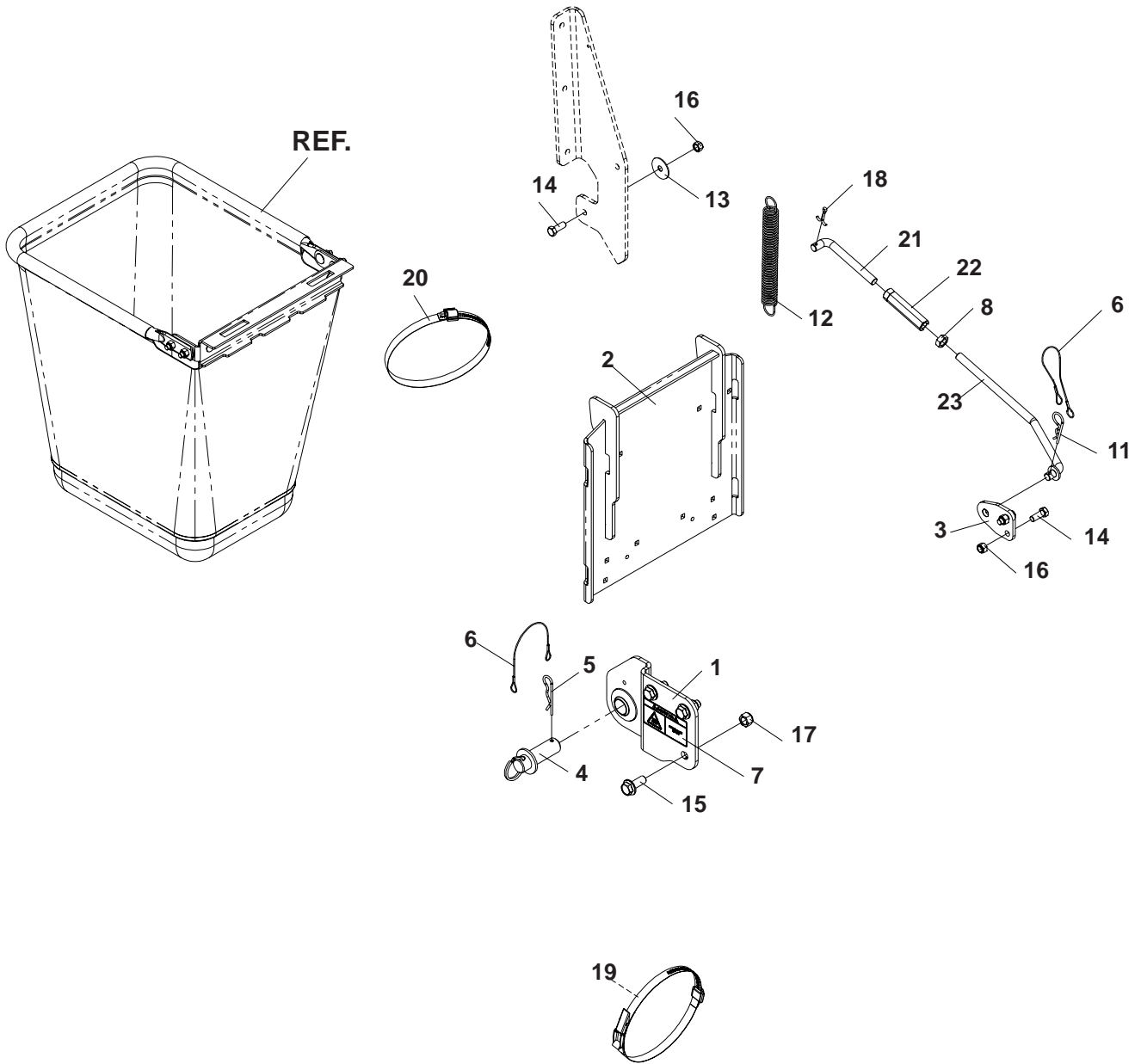
MOUNTING KIT

MODEL HCS13

| ITEM | PART NO. | QTY | DESCRIPTION |
|------|-----------|-----|---------------------------------|
| 1 | 539111322 | 1 | HITCH BRACKET, RIGHT, W/DECAL |
| | 539111199 | 1 | HITCH BRACKET, LEFT (NOT SHOWN) |
| 2 | 539111197 | 1 | REAR GUARD |
| 3 | 539111215 | 2 | SUPPORT BRACKET |
| 4 | 539976989 | 2 | HAIRPIN #4 |
| 5 | 539111206 | 2 | HITCH PIN |
| 6 | 539111192 | 2 | HAIRPIN |
| 7 | 539111212 | 1 | DECAL, HOT SURFACE |
| 8 | 539108736 | 2 | NUT, 1/2-20, HEX JAM |
| 9 | 539102563 | 4 | LANYARD |
| 10 | 539111191 | 2 | SPRING |
| 11 | 539102998 | 2 | FRICTION WASHER |
| 12 | 539990563 | 6 | HCS, 3/8-16 x 1, GR5 |
| 13 | 539990622 | 6 | HFS, 1/2-13 X 1 1/2 |
| 14 | 539976979 | 6 | NUT, 3/8C, NYLOC |
| 15 | 539101331 | 6 | NUT, 1/2C, NYLOC |
| 16 | 539990654 | 2 | COTTER PIN, 5/32 X 1 1/4 |
| 17 | 539109901 | 1 | OVER CENTER BAND |
| 18 | 539097076 | 1 | HOSE CLAMP 6"-& 7" |
| 19 | 539111208 | 2 | SUPPORT LINKAGE, LH |
| 20 | 539111207 | 2 | TURNBUCKLE, 1/2" |
| 21 | 539111210 | 2 | SUPPORT LINKAGE |

MOUNTING KIT

MODEL HCS9

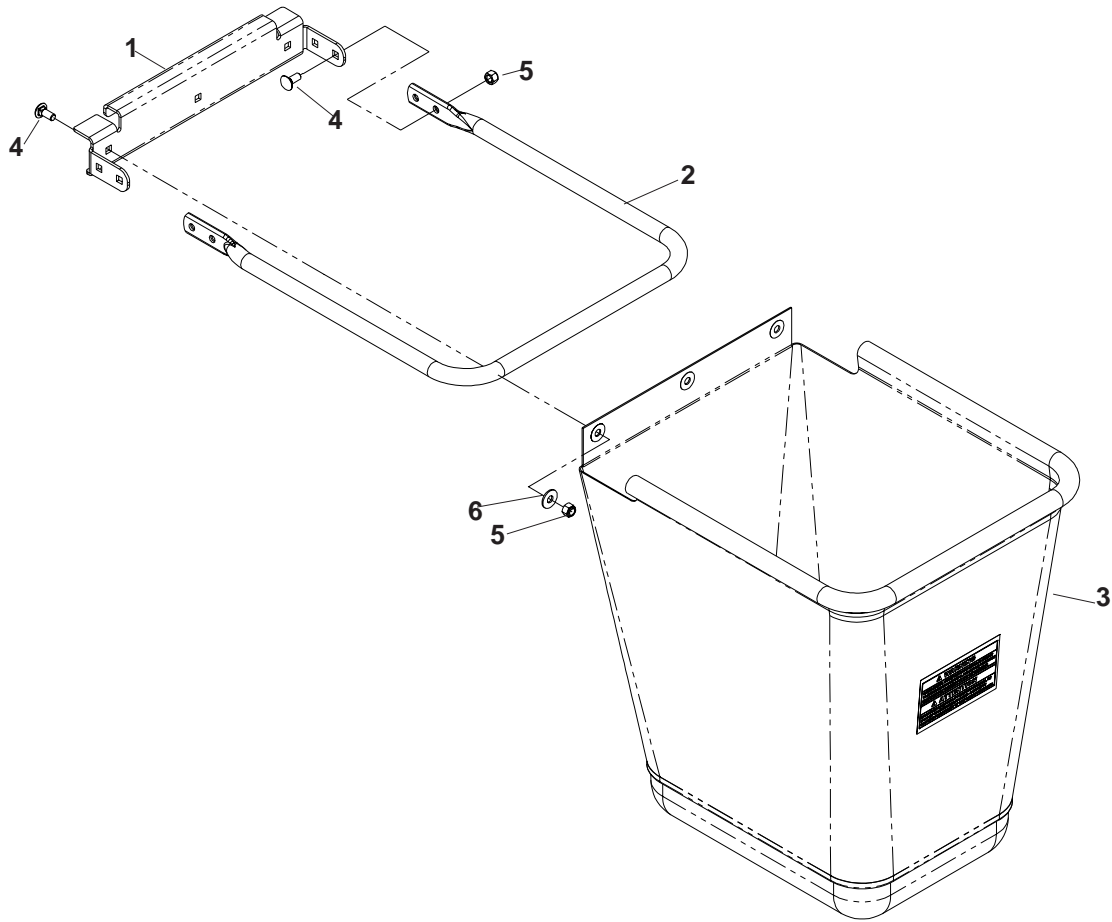


MOUNTING KIT

MODEL HCS9

| ITEM | PART NO. | QTY | DESCRIPTION |
|------|-----------|-----|---------------------------------|
| 1 | 539111294 | 1 | HITCH BRACKET W/DECALS, RIGHT |
| | 539111203 | 1 | HITCH BRACKET, LEFT (NOT SHOWN) |
| 2 | 539111195 | 1 | REAR GUARD |
| 3 | 539111215 | 2 | SUPPORT BRACKET |
| 4 | 539111206 | 2 | HITCH PIN |
| 5 | 539111192 | 2 | HAIRPIN |
| 6 | 539102563 | 4 | LANYARD |
| 7 | 539111212 | 1 | DECAL, HOT SURFACE |
| 8 | 539108736 | 2 | NUT, 1/2-20, HEX JAM |
| 11 | 539976989 | 2 | HAIRPIN #4 |
| 12 | 539111191 | 2 | SPRING |
| 13 | 539102998 | 2 | FRICTION WASHER |
| 14 | 539990563 | 6 | HCS, 3/8-16 x 1, GR5 |
| 15 | 539990622 | 6 | HFS, 1/2-13 X 1 1/2 |
| 16 | 539976979 | 6 | NUT, 3/8C, NYLOC |
| 17 | 539101331 | 6 | NUT, 1/2C, NYLOC |
| 18 | 539990654 | 2 | COTTER PIN, 5/32 X 1 1/4 |
| 19 | 539109901 | 1 | OVER CENTER BAND |
| 20 | 539097076 | 1 | HOSE CLAMP 6"-& 7" |
| 21 | 539111208 | 2 | SUPPORT LINKAGE, LH |
| 22 | 539111207 | 2 | TURNBUCKLE, 1/2" |
| 23 | 539111209 | 2 | SUPPORT LINKAGE |

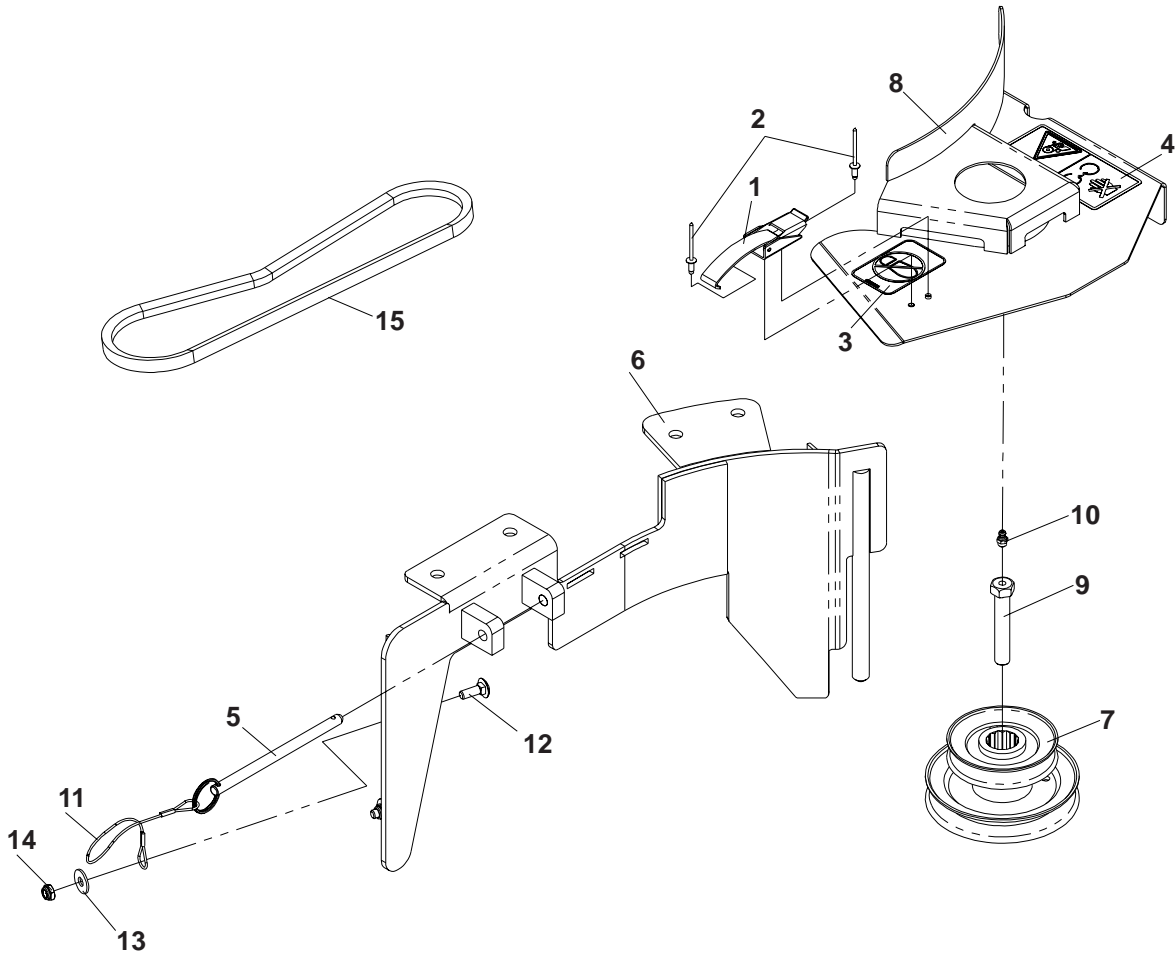
BAG ASSEMBLY



| ITEM | PART NO. | QTY | DESCRIPTION |
|------|-----------|-----|---------------------------|
| 1 | 539110063 | 1 | HANGER, BAG |
| 2 | 539111166 | 1 | TUBE, BAG FRAME |
| 3 | 539111168 | 1 | BAG, LARGE, MODEL HCS13 |
| | 539111300 | 1 | BAG, SMALL, MODEL HCS9 |
| 4 | 539990316 | 7 | RHSNB, 5/16-18 X 5/8, GR5 |
| 5 | 539990717 | 7 | NUT, 5/16, NYLOC |
| 6 | 539990692 | 3 | WASHER, 5/16 |

DRIVE KIT ASSEMBLY

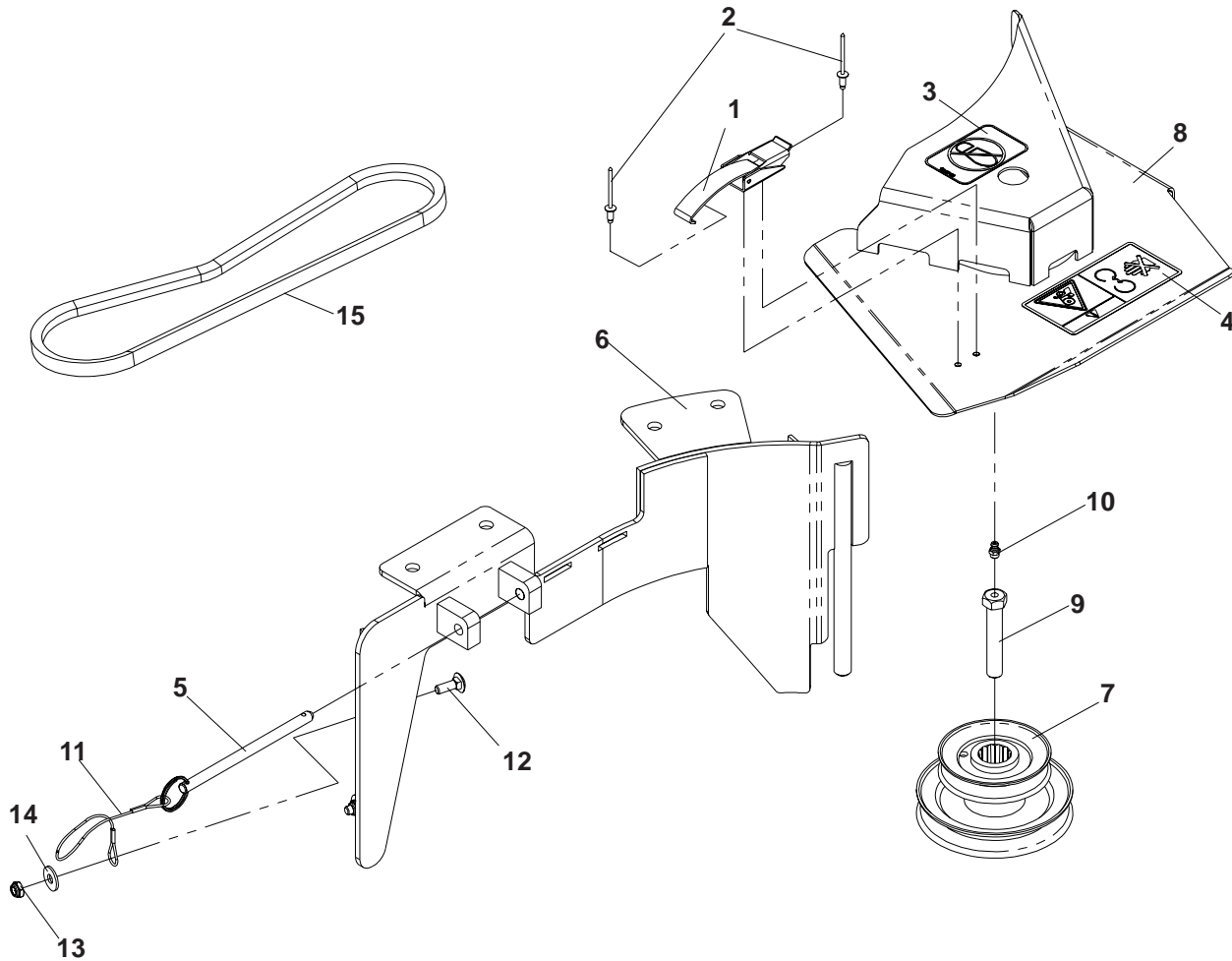
(539) 111275 - 42 INCH DECK



| ITEM | PART NO. | QTY | DESCRIPTION |
|------|-----------|-----|-------------------------------------|
| 1 | 539109660 | 1 | DRAW LATCH |
| 2 | 539110740 | 2 | RIVET, BLIND, DOME STYLE, 5/32 DIA. |
| 3 | 539105743 | 1 | DECAL, NO STEP |
| 4 | 539105744 | 1 | DECAL, DANGER BELT DRIVES |
| 5 | 539111270 | 1 | PIN |
| 6 | 539111236 | 1 | BLOWER DECK PLATE, 42/48 |
| 7 | 539111255 | 1 | PULLEY, STACKED DOUBLE, 42/48 |
| 8 | 539111271 | 1 | BELT SHIELD W/DECALS & LATCH, 42" |
| 9 | 539108951 | 1 | HCS, 7/16-20 X 2 1/2, GR5, SPEC. |
| 10 | 539976998 | 1 | ZERK |
| 11 | 539102563 | 1 | LANYARD |
| 12 | 539990074 | 4 | RHSNB, 1/4-20 X 3/4, GR2 |
| 13 | 539990598 | 4 | WASHER, 1/4 |
| 14 | 539108120 | 4 | NUT, 1/4C, THIN NYLOC |
| 15 | 539111304 | 1 | BELT |

DRIVE KIT ASSEMBLY

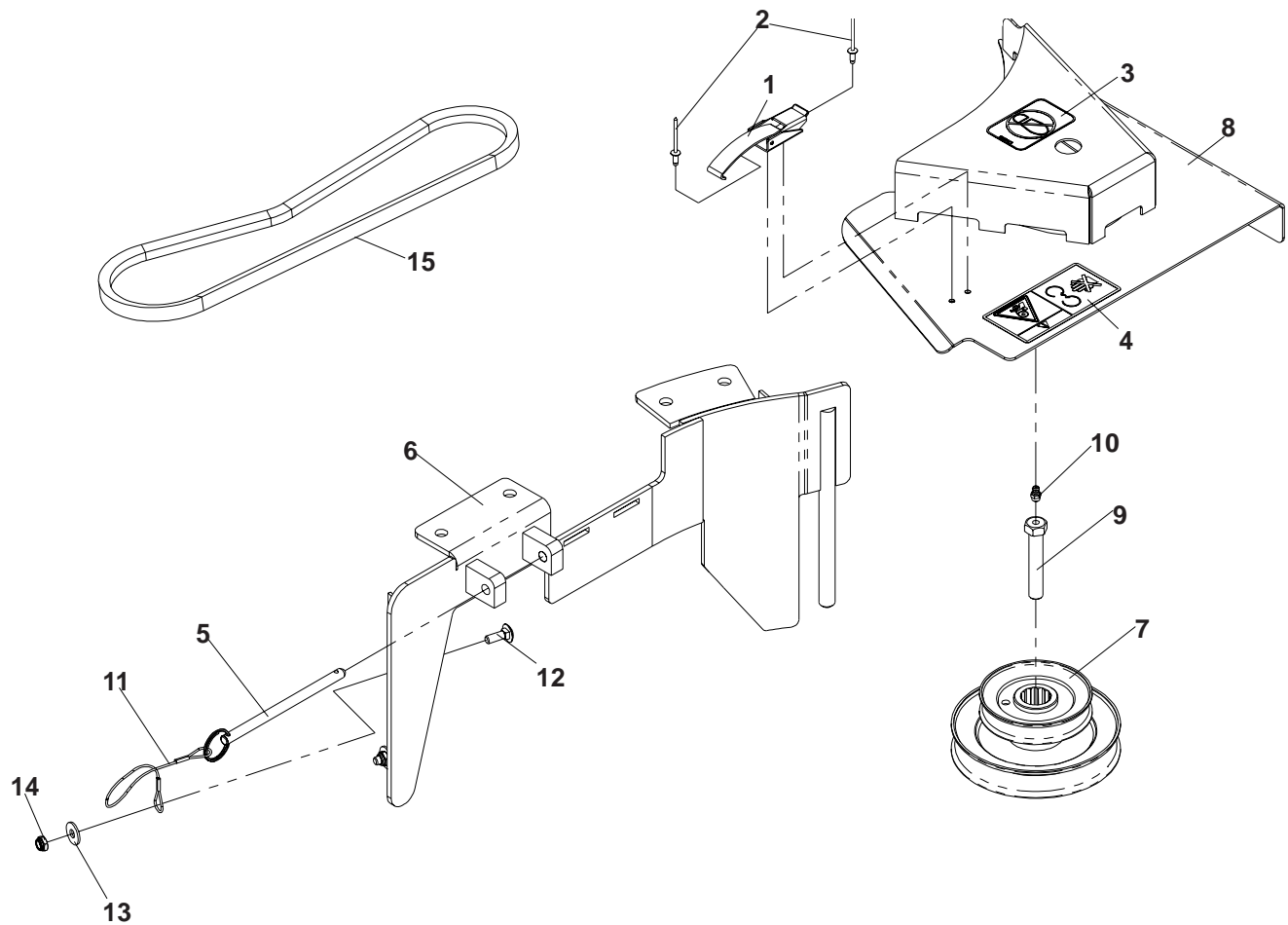
(539) 111276 - 48 INCH DECK



| ITEM | PART NO. | QTY | DESCRIPTION |
|------|-----------|-----|-------------------------------------|
| 1 | 539109660 | 1 | DRAW LATCH |
| 2 | 539110740 | 2 | RIVET, BLIND, DOME STYLE, 5/32 DIA. |
| 3 | 539105743 | 1 | DECAL, NO STEP |
| 4 | 539105744 | 1 | DECAL, DANGER BELT DRIVES |
| 5 | 539111270 | 1 | PIN |
| 6 | 539111236 | 1 | BLOWER DECK PLATE, 42/48 |
| 7 | 539111255 | 1 | PULLEY, STACKED DOUBLE, 42/48 |
| 8 | 539111272 | 1 | BELT SHIELD W/DECALS & LATCH, 48" |
| 9 | 539108951 | 1 | HCS, 7/16-20 X 2 1/2, GR5, SPEC. |
| 10 | 539976998 | 1 | ZERK |
| 11 | 539102563 | 1 | LANYARD |
| 12 | 539990074 | 4 | RHSNB, 1/4-20 X 3/4, GR2 |
| 13 | 539990598 | 4 | WASHER, 1/4 |
| 14 | 539108120 | 4 | NUT, 1/4C, THIN NYLOC |
| 15 | 539111305 | 1 | BELT |

DRIVE KIT ASSEMBLY

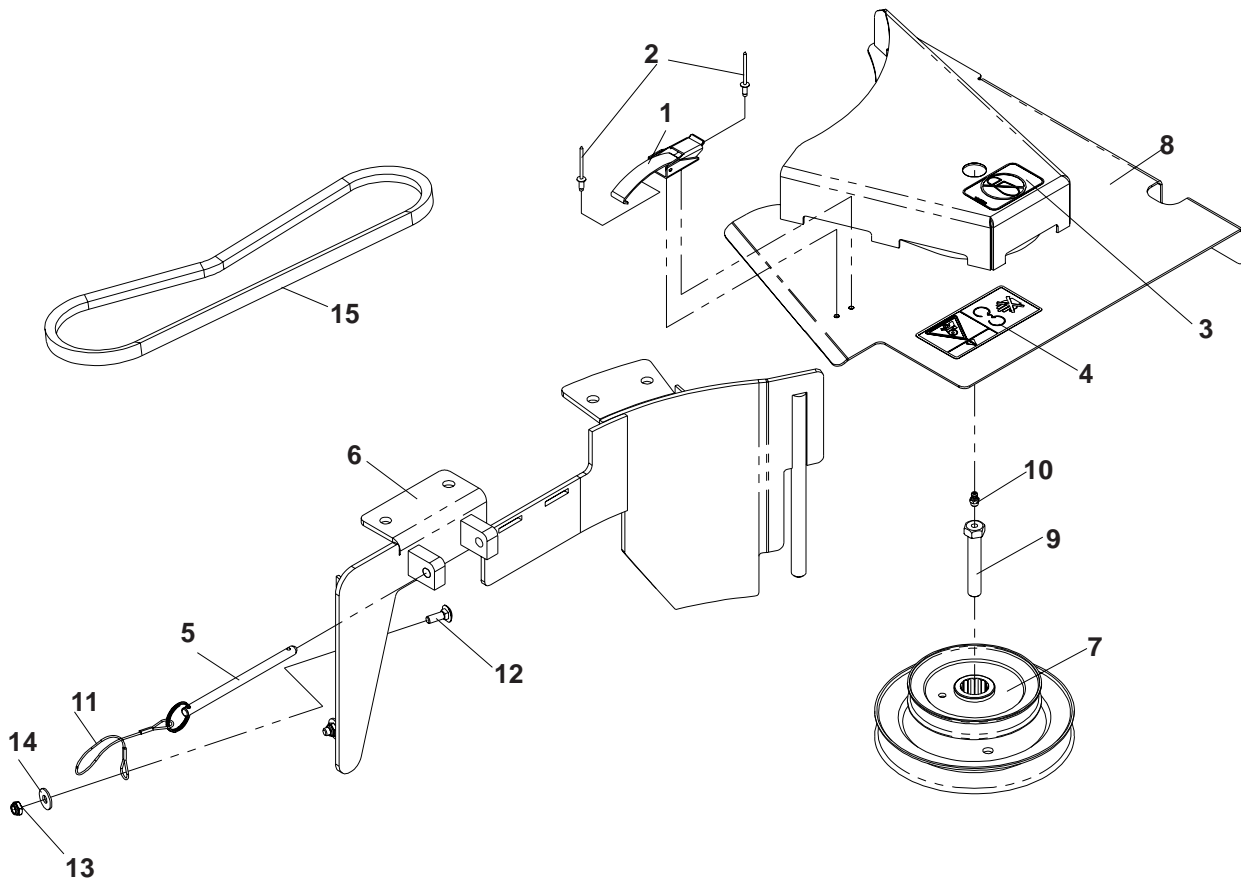
(539) 111277 - 52 INCH DECK



| ITEM | PART NO. | QTY | DESCRIPTION |
|------|-----------|-----|-------------------------------------|
| 1 | 539109660 | 1 | DRAW LATCH |
| 2 | 539110740 | 2 | RIVET, BLIND, DOME STYLE, 5/32 DIA. |
| 3 | 539105743 | 1 | DECAL, NO STEP |
| 4 | 539105744 | 1 | DECAL, DANGER BELT DRIVES |
| 5 | 539111270 | 1 | PIN |
| 6 | 539111264 | 1 | BLOWER DECK PLATE, 52 |
| 7 | 539111256 | 1 | PULLEY, STACKED DOUBLE, 52 |
| 8 | 539111273 | 1 | BELT SHIELD W/DECALS & LATCH, 52 |
| 9 | 539108951 | 1 | HCS, 7/16-20 X 2 1/2, GR5, SPEC. |
| 10 | 539976998 | 1 | ZERK |
| 11 | 539102563 | 1 | LANYARD |
| 12 | 539990074 | 4 | RHSNB, 1/4-20 X 3/4, GR2 |
| 13 | 539990598 | 4 | WASHER, 1/4 |
| 14 | 539108120 | 4 | NUT, 1/4C, THIN NYLOC |
| 15 | 539111306 | 1 | BELT |

DRIVE KIT ASSEMBLY

(539) 111278 - 61 INCH DECK



| ITEM | PART NO. | QTY | DESCRIPTION |
|------|-----------|-----|-------------------------------------|
| 1 | 539109660 | 1 | DRAW LATCH |
| 2 | 539110740 | 2 | RIVET, BLIND, DOME STYLE, 5/32 DIA. |
| 3 | 539105743 | 1 | DECAL, NO STEP |
| 4 | 539105744 | 1 | DECAL, DANGER BELT DRIVES |
| 5 | 539111270 | 1 | PIN |
| 6 | 539111240 | 1 | BLOWER DECK PLATE, 61 |
| 7 | 539111257 | 1 | PULLEY, STACKED DOUBLE, 61 |
| 8 | 539111274 | 1 | BELT SHIELD W/DECALS & LATCH, 61 |
| 9 | 539108951 | 1 | HCS, 7/16-20 X 2 1/2, GR5, SPEC. |
| 10 | 539976998 | 1 | ZERK |
| 11 | 539102563 | 1 | LANYARD |
| 12 | 539990074 | 4 | RHSNB, 1/4-20 X 3/4, GR2 |
| 13 | 539990598 | 4 | WASHER, 1/4 |
| 14 | 539108120 | 4 | NUT, 1/4C, THIN NYLOC |
| 15 | 539111307 | 1 | BELT |

 **Husqvarna**