

## K960

Reservdelar

Spare parts

Ersatzteile

Pieces de rechange

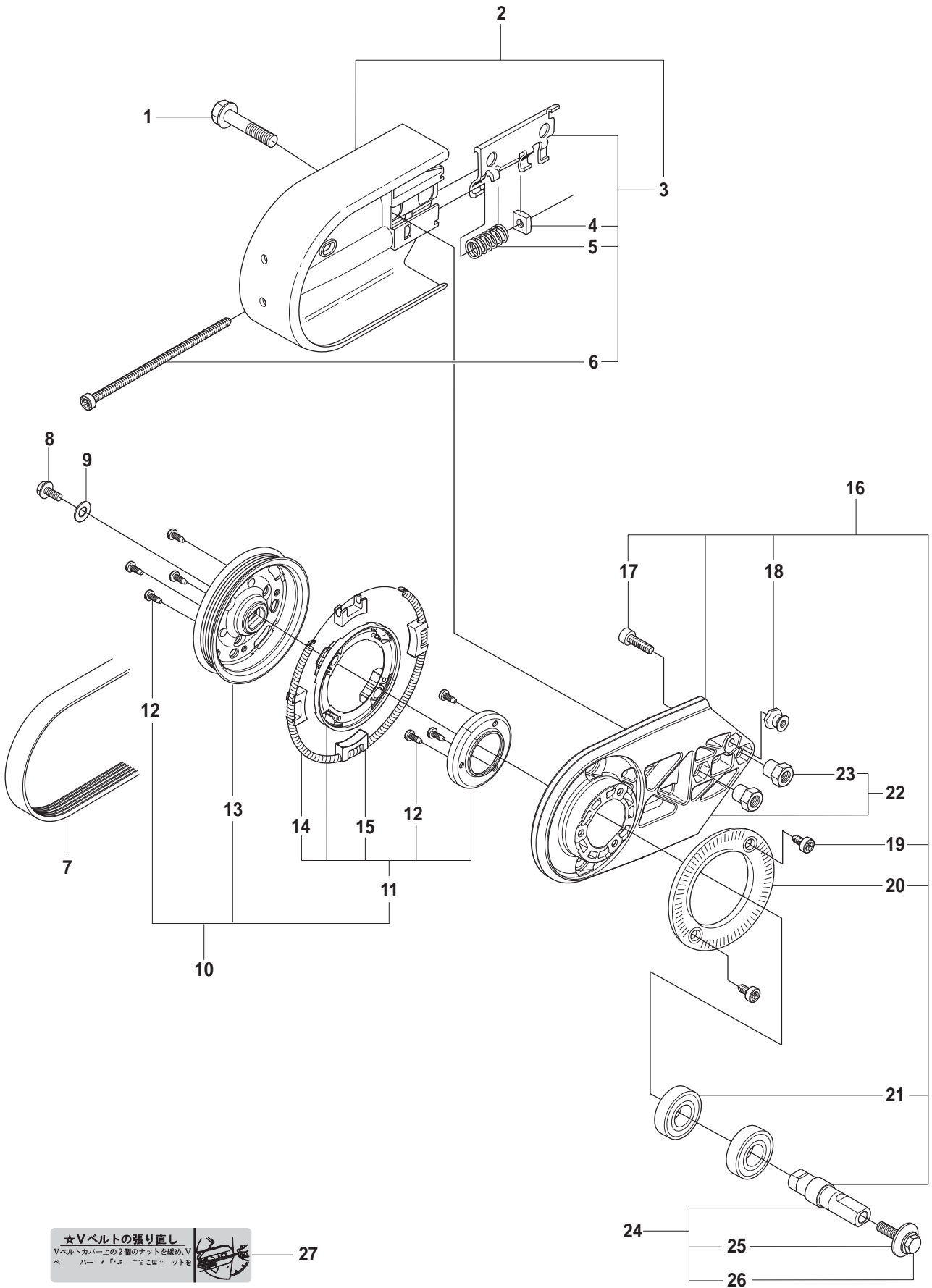
Piezas de repuesto

Ricambi

Peças sobresselente

No.	Pos.	Description	No.	Pos.	Description
501 27 08-01	D	GUIDE BUSHING	504 83 31-01	M	LEVER
501 37 56-01	J	FLYWHEEL	504 83 50-01	M	SHAFT
501 46 87-01	M	SCREW	504 83 51-01	M	SHAFT
501 48 54-02	J	SPARK PLUG CAP	504 83 54-01	M	SPRING
501 63 48-01	J	SPRING	505 03 89-01	K	LABEL
501 66 61-01	M	SCREEN-INLET	505 03 89-02	K	LABEL
501 67 32-03	J	PAWL	505 09 54-01	P	HOSE KIT
501 83 98-01	J	CABLE	505 09 55-01	P	HOSE KIT
501 97 18-01	L	SCREW	505 10 35-01	P	O-RING
501 98 10-01	K	SCREW	505 25 96-03	E	MUFFLER MOUNT KIT
502 21 58-01	N	L-SPANNER	505 27 75-16	J	INSULATING CAP
502 44 58-01	M	GASKET KIT	505 28 33-06	L	HOSE CLAMP
502 62 32-01	LM	CARBURETTOR	505 30 24-15	C	NEEDLE BEARING
503 11 71-01	M	BALL-CHOKE FRICTION	505 31 67-17	M	SCREW
503 11 72-01	M	GASKET PUMP	505 31 67-31	M	PIN-METERING LEVER
503 11 75-01	M	SCREW	505 31 67-34	M	LEVER
503 11 76-01	M	SPRING	505 31 67-48	M	WASHER
503 11 77-01	M	SPRING	505 44 31-01	L	THROTTLE ROD
503 12 79-01	H	STARTER HANDLE	505 44 54-03	A	PULLEY
503 14 29-02	Q	WASHER	505 57 41-16	AB	SCREW
503 14 51-01	C	CLUTCH SPRING	506 00 69-01	J	SCREW
503 20 00-45	A	SCREW	506 02 87-01	B	FLANGE WASHER
503 20 72-05	A	SCREW	506 02 88-30	B	BUSHING
503 21 07-22	H	SCREW	506 07 09-01	B	FLANGE WASHER
503 21 28-06	J	SCREW	506 13 95-11	A	WASHER
503 21 28-10	AH	SCREW	506 13 96-01	A	COLLAR SCREW
503 21 53-10	A	SCREW	506 14 32-01	A	TORSION STOP
503 21 53-12	GQ	SCREW	506 21 84-04	H	STARTER COVER
503 21 53-16	GL	SCREW	506 22 17-02	K	AIR FILTER COVER
503 21 53-20	BJQ	SCREW	506 22 18-15	K	FILTER BOTTOM
503 21 53-21	CH	SCREW	506 22 27-03	G	THROTTLE TRIGGER
503 21 53-25	E	SCREW	506 22 28-02	G	THROTTLE LOCKOUT
503 21 53-30	KL	SCREW	506 22 29-01	G	SPRING THROTTLE TRIG
503 21 53-45	K	SCREW	506 22 94-01	K	AIR NOZZLE
503 21 53-49	D	SCREW	506 23 19-01	K	PREFILTER
503 21 54-20	GP	SCREW	506 23 20-11	L	CHOKE
503 21 54-45	G	SCREW	506 23 59-16	H	STARTER
503 22 10-11	J	NUT	506 23 61-01	G	TANK VENT
503 22 65-04	Q	NUT	506 24 34-35	B	LABEL
503 23 00-11	G	WASHER STEEL	506 24 35-25	B	LABEL
503 23 00-42	J	WASHER STEEL	506 24 39-02	K	LABEL
503 23 01-01	J	WASHER STEEL	506 25 14-01	H	GROMMET
503 23 01-16	A	WASHER STEEL	506 25 30-01	H	COMPRESSION SPRING
503 23 04-02	E	WASHER	506 25 59-03	G	TANK CAP ASSY
503 23 51-09	J	SPARK PLUG	506 25 81-02	H	STARTER PULLEY
503 25 00-02	DF	BALL BEARING	506 25 89-01	H	RECOIL SPRING
503 25 21-01	A	BALL BEARING	506 26 31-01	H	SPACING SLEEVE
503 25 61-01	EF	NEEDLE BEARING	506 26 41-01	G	FUEL FILTER
503 26 02-04	DN	SEALING RING	506 26 41-11	G	FUEL FILTER
503 26 02-05	E	SEALING RING	506 26 63-02	BQ	LINING
503 26 60-03	GP	COUPLER	506 26 64-01	B	RATCHET FLANGE
503 26 60-04	GP	COUPLER	506 26 65-01	B	FLANGE
503 28 90-35	E	PISTON RING	506 26 66-04	A	BELT TENSIONER ASSY
503 45 46-01	G	CONNECTION BEND	506 26 68-01	A	COMPRESSION SPRING
503 46 85-01	G	ANTIVIB ELEMENT	506 27 11-01	G	HOSE CLAMP
503 56 45-01	M	SEAL	506 27 23-04	H	LABEL
503 57 41-01	M	PLUG-WELCH	506 27 25-01	L	WEAR PROTECTION
503 57 89-01	G	TANK CAP HOLDER	506 28 39-30	K	SEALING
503 63 25-01	M	VALVE -INLET NEEDLE	506 28 41 22	B	LABEL
503 66 56-01	E	DECOMPRESSION VALVE	506 28 41-02	B	LABEL
503 70 15-01	C	CLUTCH ASSY	506 28 41-04	B	LABEL
504 03 70-07	A	PULLEY	506 28 41-12	B	LABEL
504 06 22-01	A	PULLEY	506 28 41-14	B	LABEL
504 13 52-01	M	VALVE	506 28 41-24	B	LABEL
504 13 53-01	M	VALVE	506 28 44-01	A	COLLAR SCREW
504 13 58-01	M	NEEDLE	506 28 73-01	A	NUT
504 63 42-01	P	NIPPLE	506 28 84-01	A	SCREEN PATTERN FLANG
504 63 44-01	P	HOUSING	506 28 95-01	G	NIPPLE
504 63 45-01	P	HOUSING	506 29 21-01	G	GASKET
504 63 46-01	P	SCREW	506 29 57-02	P	NIPPLE

No.	Pos.	Description	No.	Pos.	Description
506 29 75-02	Q	STARTER HANDLE	544 33 19-01	L	INLET BEND
506 29 76-01	Q	SHOULDER STRAP	544 36 64-01	C	LINING
506 29 83-65	A	SHAFT	544 37 66-01	C	DRIVING PULLEY ASSY
506 29 88-01	P	FILTER	544 38 31-02	G	SPRING
506 30 23-02	Q	LABEL	544 44 04-02	A	BRAKE SHOE
506 30 25-05	Q	BRACKET	544 44 10-01	A	DRAW SPRING
506 30 97-05	A	LABEL	544 45 68-01	G	HANDLE
506 31 30-01	G	LABLE	544 81 16-01	G	BASE GROUND SUPPORT
506 31 86-02	J	STOP SWITCH	544 87 46-01	K	LABEL
506 32 20-02	Q	LABEL	544 89 06-01	Q	LABEL
506 32 22-02	Q	LABEL	544 89 06-03	Q	LABEL
506 32 48-01	B	SUPPORT FLANGE	544 89 07-09	K	LABEL
506 33 56-15	H	STARTER CORD	544 89 07-10	K	LABEL
506 33 56-50	H	STARTER CORD	544 89 14-02	K	CYLINDER COVER ASSY
506 34 05-42	B	WHEEL GUARD ASSY	544 89 15-01	G	GROUND SUPPORT ASSY
506 34 05-44	B	WHEEL GUARD ASSY	544 89 20-06	G	FUEL TANK
506 34 05-46	B	WHEEL GUARD ASSY	544 89 54-01	D	RUBBER BUSHING
506 34 05-52	Q	WHEEL GUARD ASSY	544 89 60-01	M	LEVER
506 34 05-54	Q	WHEEL GUARD ASSY	544 89 62-01	M	PUMP COVER
506 34 46-02	BQ	HANDLE	544 89 63-01	M	COVER
506 34 70-02	K	AIR FILTER	544 89 71-01	M	GASKET
506 35 27-01	P	PROTECTIVE SPRING	544 89 72-01	M	DIAPHRAGM PUMP
506 37 28-01	E	MUFFLER	544 89 74-01	M	DIAPHRAGM ASSY
506 37 81-01	DEN	GASKET MUFFLER	544 89 76-01	M	SCREW
506 37 83-02	C	DRIVING PULLEY ASSY	544 89 79-01	M	PLATE
506 37 96-20	B	BUSHING	544 90 84-03	A	BELT
506 37 96-22	B	BUSHING	544 90 84-04	A	BELT
506 37 96-25	B	BUSHING	544 93 31-01	C	LABEL
506 38 26-01	N	COMBINATION TOOL	544 93 56-02	E	CYLINDER ASSY
506 38 59-04	G	HOSE	544 95 68-01	M	SPRING
506 38 60-12	P	VALVE ASSY	544 98 39-01	F	CRANKSHAFT ASSY
506 38 78-34	J	IGNITION CABLE	720 12 40-20	G	PARALLEL PIN
506 38 91-03	G	ANTIVIBRATION ELEMENT	734 11 47-41	G	WASHER
506 39 30-01	C	WASHER	737 44 13-00	E	CIRCLIP
506 39 36-02	A	BELT GUARD	740 43 13-00	H	O-RING
506 39 42-06	A	BEARING HOUSING	740 48 20-03	K	O-RING
506 39 42-08	A	BEARING HOUSING			
506 39 84-03	K	LABEL			
506 40 93-01	A	NUT			
506 41 32-02	E	PISTON			
506 41 39-02	DEN	GASKET			
506 41 40-01	DEN	GASKET			
506 41 41-01	L	INLET PIPE			
506 41 42-01	L	PLATE			
506 41 44-01	F	CUP			
506 49 87-01	P	HOSE CLAMP			
506 49 87-02	P	HOSE CLAMP			
506 60 68-06	P	HOSE			
506 60 75-01	P	HOSE			
510 11 56-03	J	IGNITION MODULE			
510 21 34-01	C	BELT GUARD			
530 03 51-57	M	PLUG			
537 00 20-01	M	SCREW			
537 00 26-01	M	SPACER			
537 21 03-09	G	ANTIVIB ELEMENT			
544 06 12-01	G	SCREW			
544 11 15-01	M	SCREW			
544 11 17-01	L	FLANGE			
544 11 39-01	L	CONSOLE			
544 15 01-01	L	FLANGE			
544 21 47-02	D	CRANKCASE ASSY			
544 21 47-04	R	LONG BLOCK			
544 21 52-01	E	HEAT DEFLECTOR			
544 21 84-01	E	SCREW			
544 22 98-02	DEN	GASKET KIT			
544 23 26-01	L	CHISEL GUIDE			
544 28 75-01	H	COOLING AIR CONDUCTOR			
544 32 49-06	G	FUEL HOSE			
544 32 49-32	G	FUEL HOSE			
544 32 50-02	G	FUEL HOSE			



★Vベルトの張り直し  
 Vベルトカバー上の2個のナットを緩め、V  
 ベルトを調整し、また2個のナットを



27

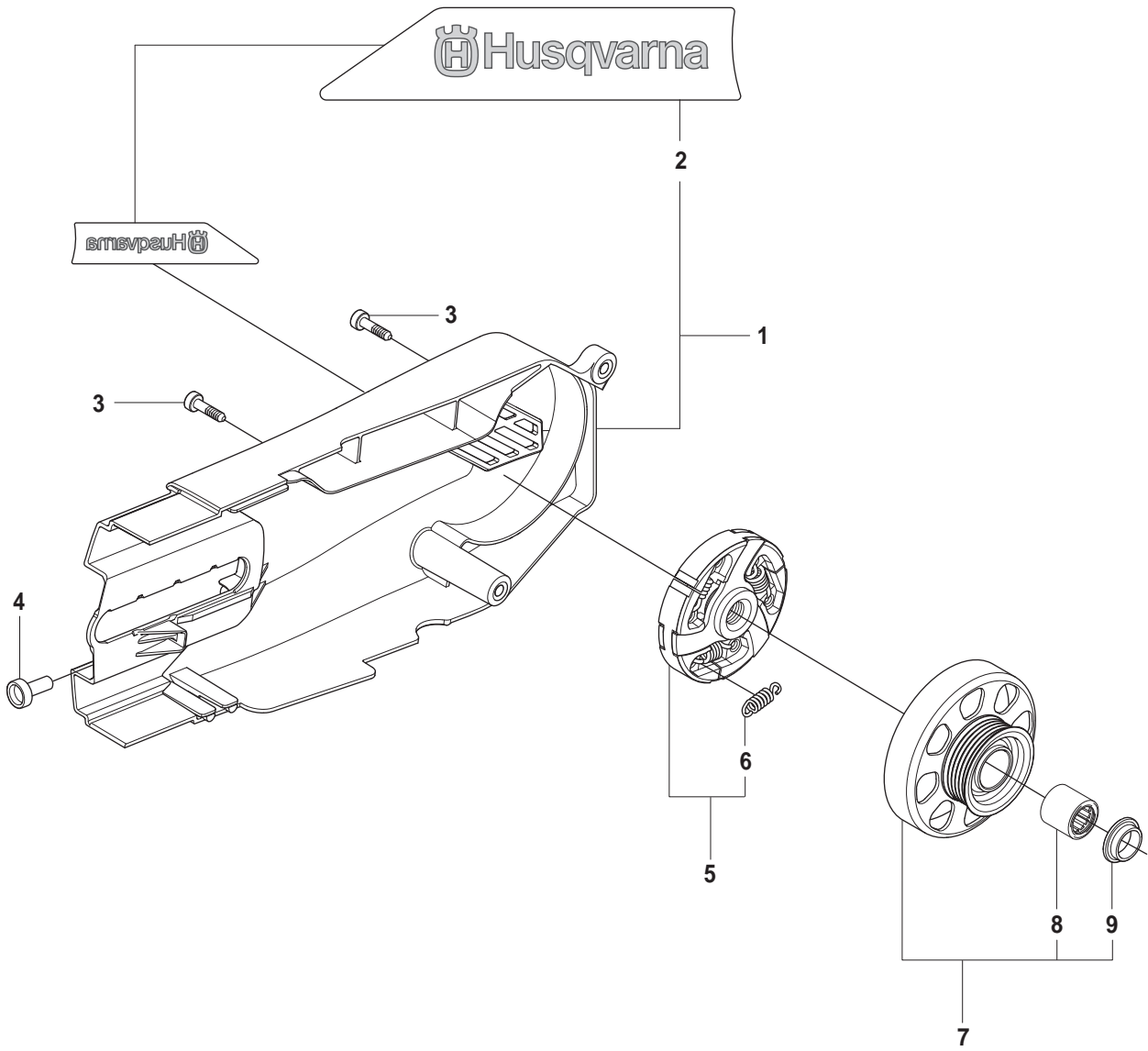
**Page A**  
**K960**

Pos.	Part No.	Description	Quantity	Notes	New Part
1	506 28 44-01	COLLAR SCREW	2		
2	506 39 36-02	BELT GUARD	1	Incl. 3	
3	506 26 66-04	BELT TENSIONER ASSY	1	Incl. 4, 5, 6	
4	506 40 93-01	NUT	1		
5	506 26 68-01	COMPRESSION SPRING	1		
6	503 20 72-05	SCREW	1		
7	544 90 84-03	BELT	1	12", 14"	
7	544 90 84-04	BELT	1	16"	
8	503 20 00-45	SCREW	1		
9	503 23 01-16	WASHER STEEL	1		
10	504 03 70-07	PULLEY	1	Incl. 11, 12, 13	New Part
11	505 44 54-03	PULLEY	1	Incl. 12, 14, 15	New Part
12	503 21 28-10	SCREW	7		
13	504 06 22-01	PULLEY	1		New Part
14	544 44 10-01	DRAW SPRING	1		
15	544 44 04-02	BRAKE SHOE	4		New Part
16	506 39 42-08	BEARING HOUSING	1	Incl. 17 - 21	New Part
17	505 57 41-16	SCREW	1		New Part
18	506 14 32-01	TORSION STOP	1		
19	503 21 53-10	SCREW	2		
20	506 28 84-01	SCREEN PATTERN FLANG	1		
21	503 25 21-01	BALL BEARING	2		
22	506 39 42-06	BEARING HOUSING	1	Incl. 23	
23	506 28 73-01	NUT	2		
24	506 29 83-65	SHAFT	1	Incl. 25, 26	New Part
25	506 13 95-11	WASHER	1		
26	506 13 96-01	COLLAR SCREW	1		



**Page B**  
**K960**

Pos.	Part No.	Description	Quantity	Notes	New Part
1	506 26 64-01	RATCHET FLANGE	1		
2	506 26 63-02	LINING	1		
3	506 26 65-01	FLANGE	1		
4	505 57 41-16	SCREW	3		New Part
5	506 32 48-01	SUPPORT FLANGE	1		
6	506 02 87-01	FLANGE WASHER	1	Diam 105	
6	506 07 09-01	FLANGE WASHER	1	Diam 116	
7	506 37 96-20	BUSHING	1	Diam 20	
7	506 37 96-22	BUSHING	1	Diam 22,2	
7	506 37 96-25	BUSHING	1	Diam 25	
7	506 02 88-30	BUSHING	1	Diam 30,5	
8	503 21 53-20	SCREW	1		New Part
9	506 34 46-02	HANDLE	1		
10	506 34 05-42	WHEEL GUARD ASSY	1	12". Incl. 2, 9, 10	New Part
10	506 34 05-44	WHEEL GUARD ASSY	1	14". Incl. 2, 9, 10	New Part
10	506 34 05-46	WHEEL GUARD ASSY	1	16". Incl. 2, 9, 10	New Part
11	506 28 41-04	LABEL	1	12". Diam 1"	
11	506 28 41-02	LABEL	1	12". Diam 20 mm	
11	506 28 41-14	LABEL	1	14". Diam 1"	
11	506 28 41-12	LABEL	1	14". Diam 20 mm	
11	506 28 41-24	LABEL	1	16". Diam 1"	
11	506 28 41 22	LABEL	1	16". Diam 20 mm	

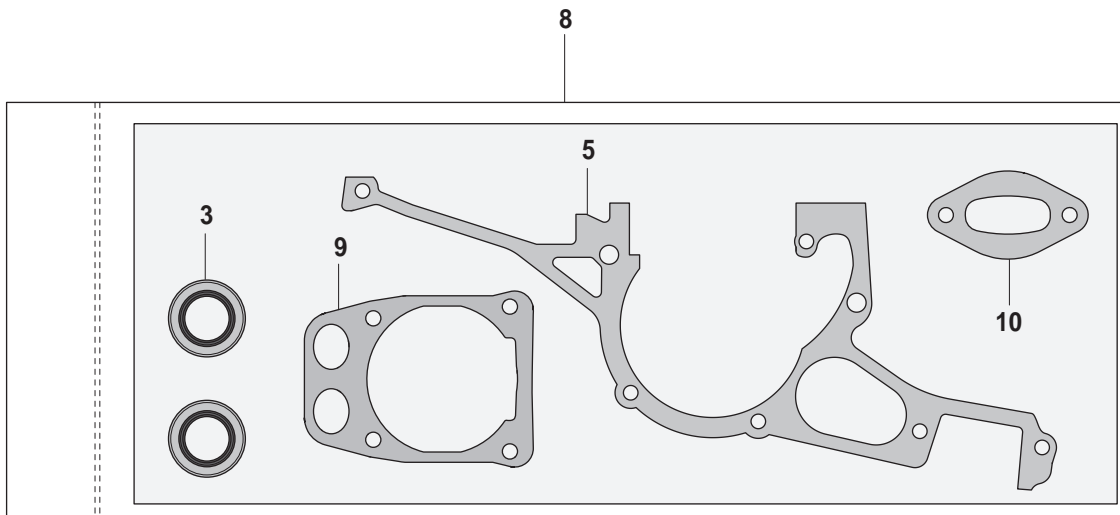
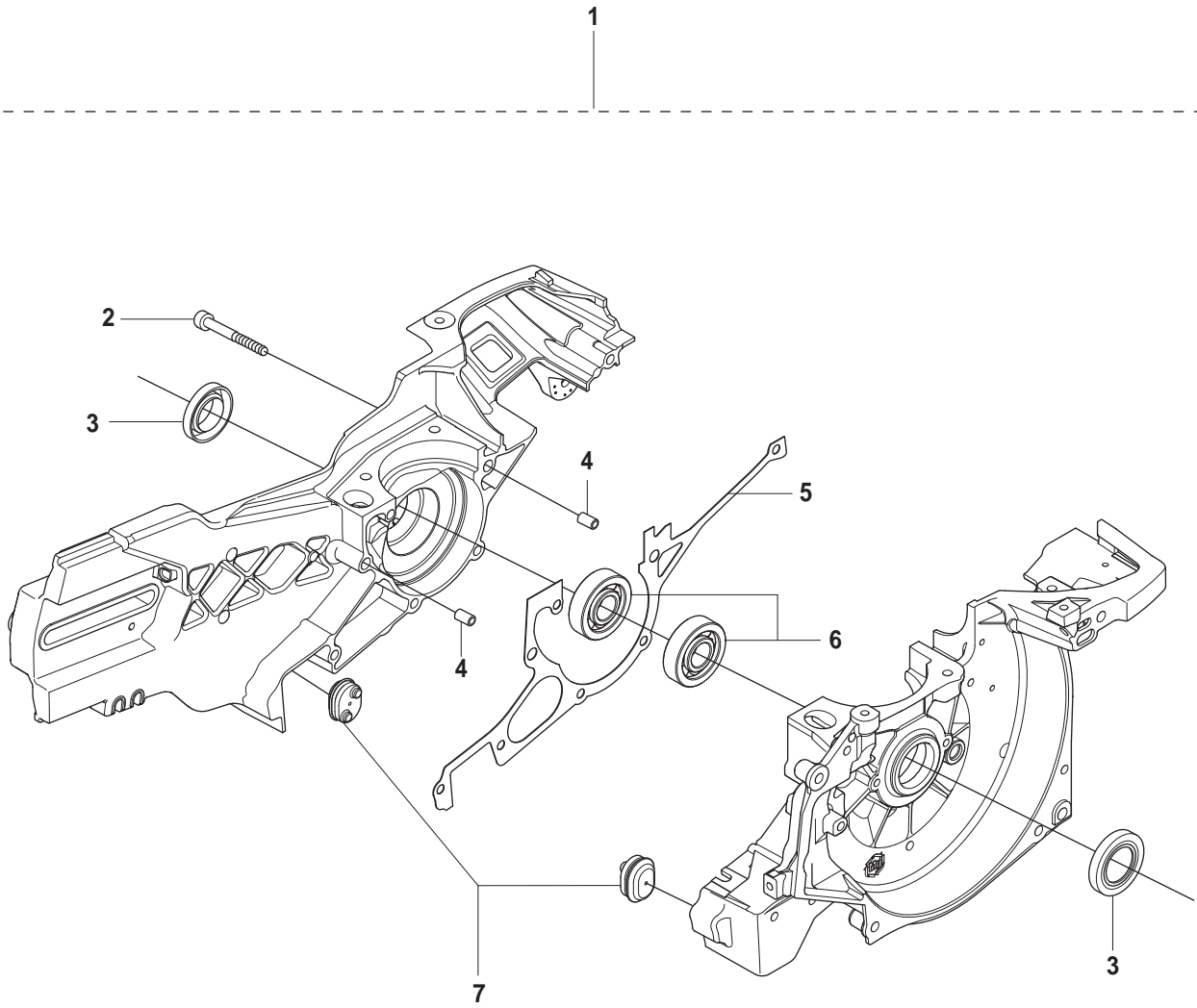




**Page C**  
**K960**

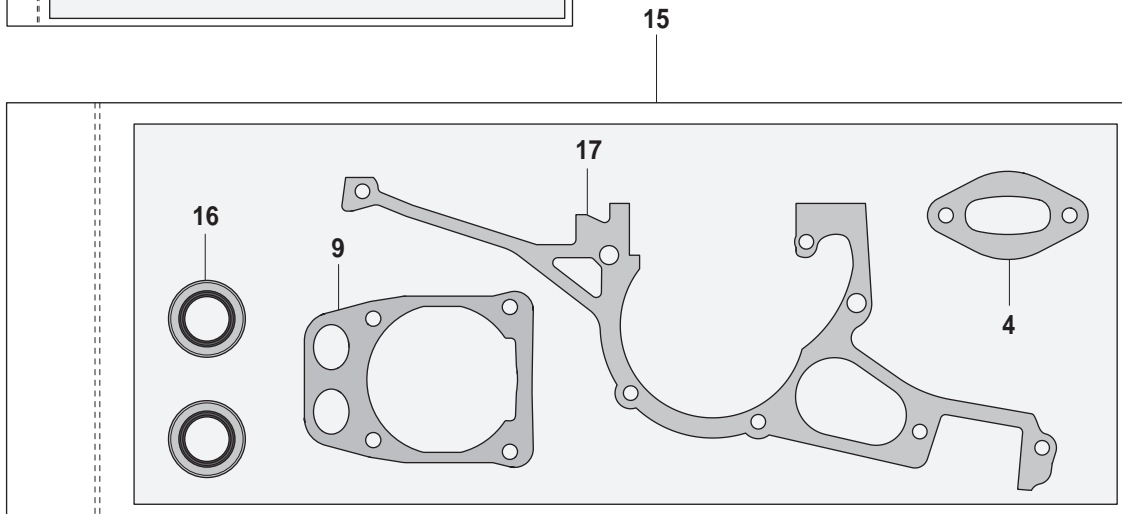
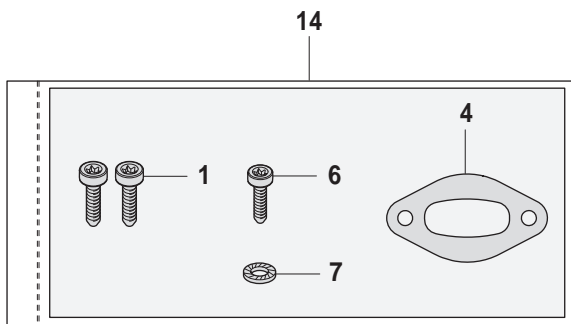
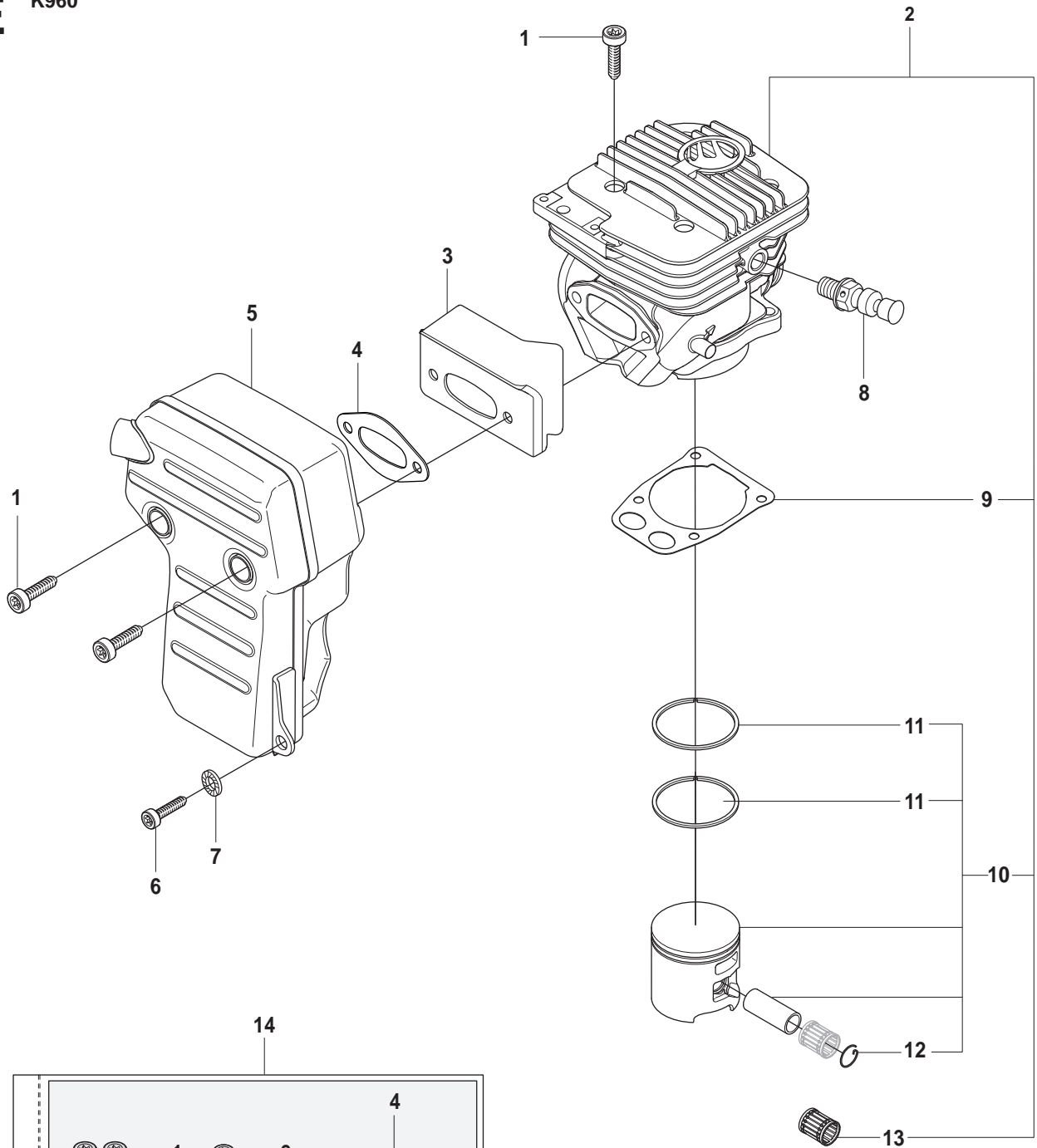
<b>Pos.</b>	<b>Part No.</b>	<b>Description</b>	<b>Quantity</b>	<b>Notes</b>	<b>New Part</b>
1	510 21 34-01	BELT GUARD	1	Incl. 2	New Part
2	544 93 31-01	LABEL	1		
3	503 21 53-21	SCREW	2		
4	544 36 64-01	LINING	1		New Part
5	503 70 15-01	CLUTCH ASSY	1	Incl. 6	
6	503 14 51-01	CLUTCH SPRING	3		
7	506 37 83-02	DRIVING PULLEY ASSY	1	12", 14". Incl. 8, 9	
7	544 37 66-01	DRIVING PULLEY ASSY	1	16". Incl. 8, 9	
8	505 30 24-15	NEEDLE BEARING	1		
9	506 39 30-01	WASHER	1		

**D** K960



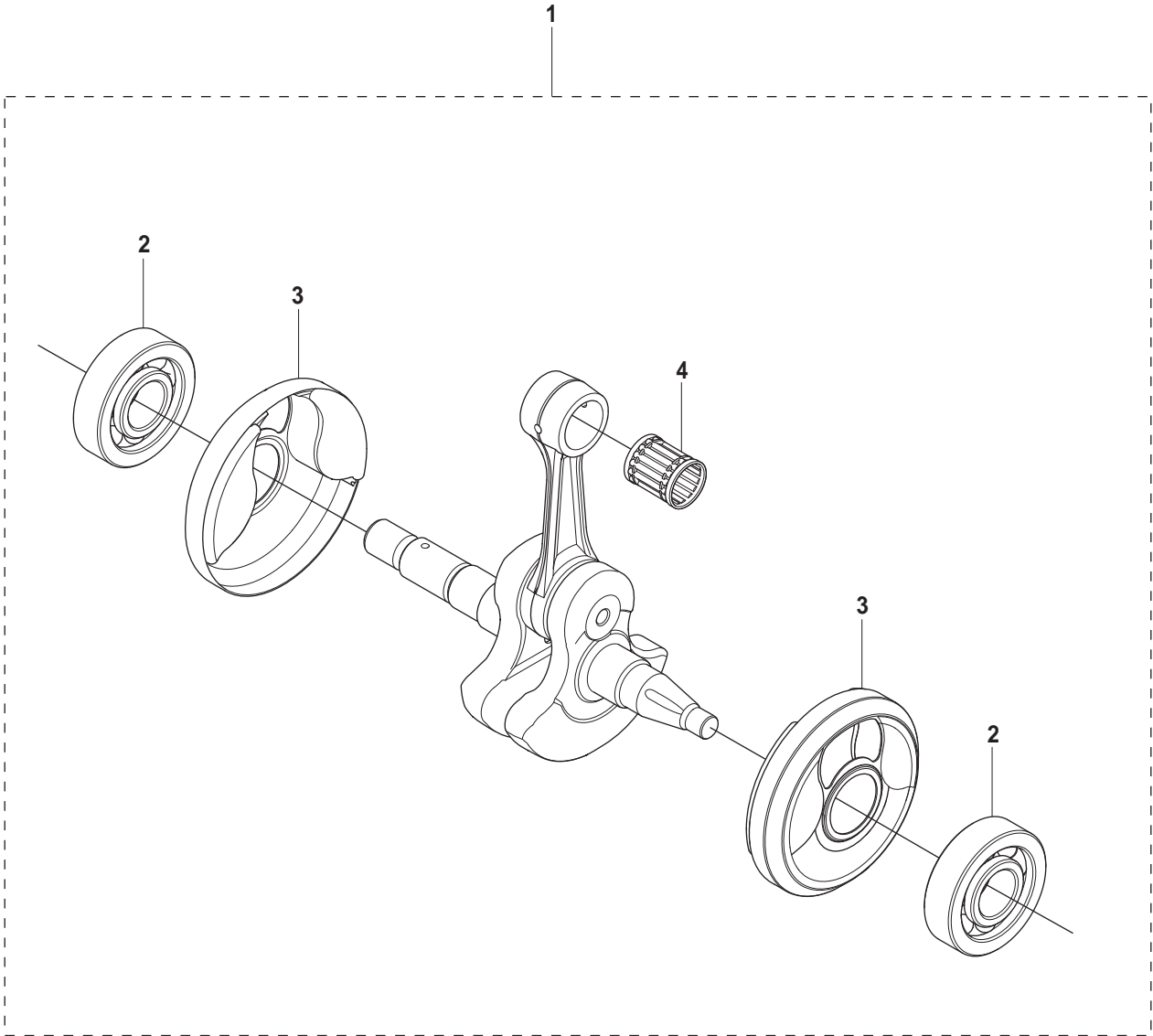
**Page D**  
**K960**

<b>Pos.</b>	<b>Part No.</b>	<b>Description</b>	<b>Quantity</b>	<b>Notes</b>	<b>New Part</b>
1	544 21 47-02	CRANKCASE ASSY	1	Incl. 2 - 8	
2	503 21 53-49	SCREW	7		
3	503 26 02-04	SEALING RING	2		
4	501 27 08-01	GUIDE BUSHING	2		
5	506 41 39-02	GASKET	1		New Part
6	503 25 00-02	BALL BEARING	2		
7	544 89 54-01	RUBBER BUSHING	2		
8	544 22 98-02	GASKET KIT	1	Incl. 3, 5, 9, 10	New Part
9	506 41 40-01	GASKET	1		
10	506 37 81-01	GASKET MUFFLER	1		



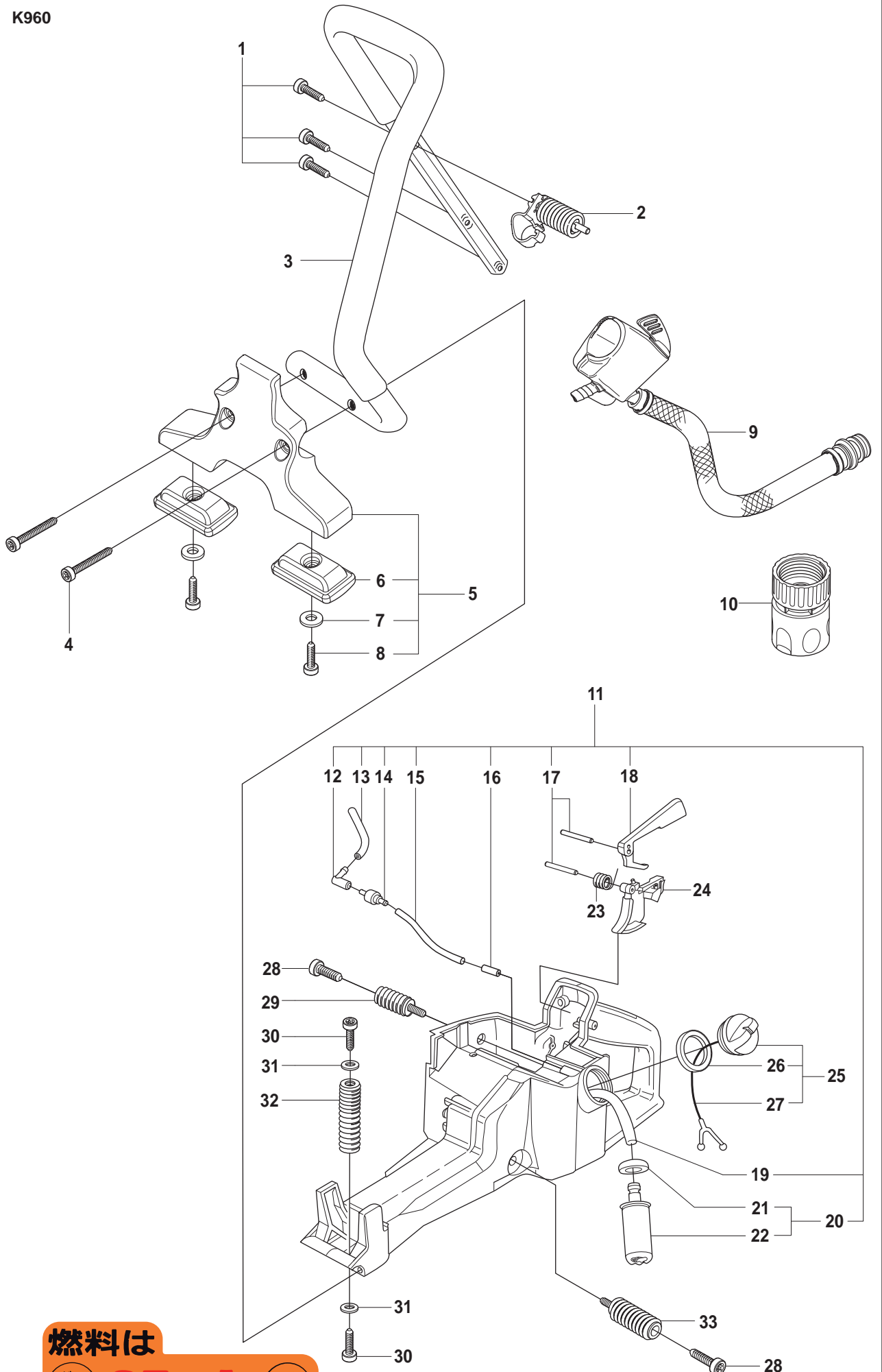
**Page E**  
**K960**

<b>Pos.</b>	<b>Part No.</b>	<b>Description</b>	<b>Quantity</b>	<b>Notes</b>	<b>New Part</b>
1	544 21 84-01	SCREW	6		
2	544 93 56-02	CYLINDER ASSY	1	Incl. 9, 10, 13	
3	544 21 52-01	HEAT DEFLECTOR	1		
4	506 37 81-01	GASKET MUFFLER	1		
5	506 37 28-01	MUFFLER	1		New Part
6	503 21 53-25	SCREW	1		
7	503 23 04-02	WASHER	1		
8	503 66 56-01	DECOMPRESSION VALVE	1		
9	506 41 40-01	GASKET	1		
10	506 41 32-02	PISTON	1	Incl. 11, 12	
11	503 28 90-35	PISTON RING	2		
12	737 44 13-00	CIRCLIP	2		
13	503 25 61-01	NEEDLE BEARING	1		
14	505 25 96-03	MUFFLER MOUNT KIT	1	Incl. 1, 4, 6, 7	New Part
15	544 22 98-02	GASKET KIT	1	Incl. 4, 9, 16, 17	New Part
16	503 26 02-05	SEALING RING	2		
17	506 41 39-02	GASKET	1		New Part



**Page F**  
**K960**

<b>Pos.</b>	<b>Part No.</b>	<b>Description</b>	<b>Quantity</b>	<b>Notes</b>	<b>New Part</b>
1	544 98 39-01	CRANKSHAFT ASSY	1	Incl. 2 - 4	
2	503 25 00-02	BALL BEARING	2		
3	506 41 44-01	CUP	2		
4	503 25 61-01	NEEDLE BEARING	1		



燃料は

ガン  
リン

25 : 1

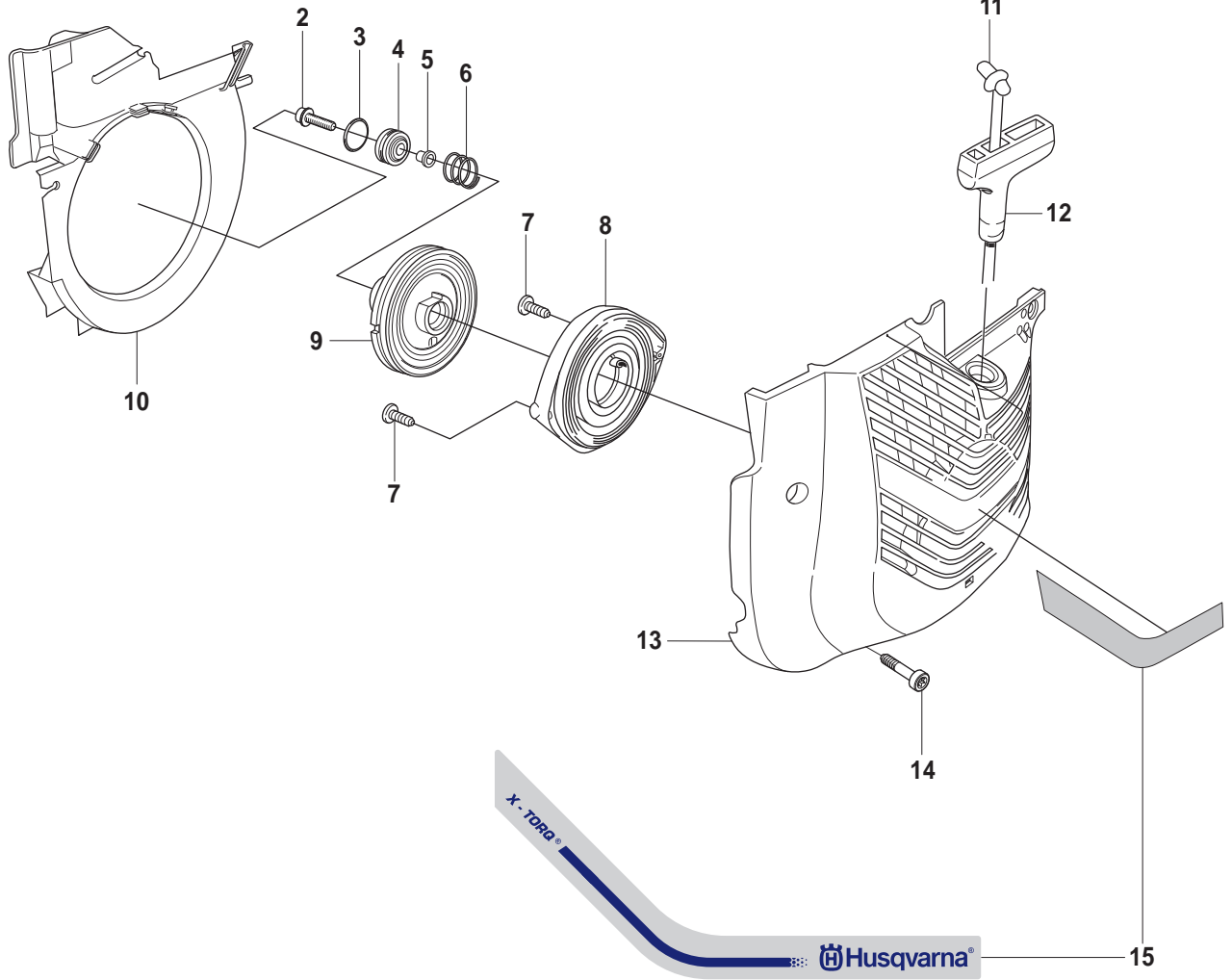
2サイクル  
専用オイル



**Page G**  
**K960**

Pos.	Part No.	Description	Quantity	Notes	New Part
1	503 21 54-20	SCREW	3		
2	506 38 91-03	ANTIVIBRATION ELEMENT	1		
3	544 45 68-01	HANDLE	1		
4	503 21 54-45	SCREW	2		
5	544 89 15-01	GROUND SUPPORT ASSY	1	Incl. 6 - 8	New Part
6	544 81 16-01	BASE GROUND SUPPORT	2		
7	734 11 47-41	WASHER	2		
8	503 21 53-12	SCREW	2		
9	506 38 59-04	HOSE	1		
10	503 26 60-03	COUPLER	1	USA	
10	503 26 60-04	COUPLER	1		New Part
11	544 89 20-06	FUEL TANK	1	Incl. 12 - 20	
12	503 45 46-01	CONNECTION BEND	1		
13	544 32 49-06	FUEL HOSE	1		New Part
14	506 23 61-01	TANK VENT	1		
15	544 32 49-32	FUEL HOSE	1		
16	506 28 95-01	NIPPLE	1		
17	720 12 40-20	PARALLEL PIN	2		
18	506 22 28-02	THROTTLE LOCKOUT	1		
19	544 32 50-02	FUEL HOSE	1		
20	506 26 41-11	FUEL FILTER	1	Incl. 21, 22	
21	506 27 11-01	HOSE CLAMP	1		
22	506 26 41-01	FUEL FILTER	1		
23	506 22 29-01	SPRING THROTTLE TRIG	1		
24	506 22 27-03	THROTTLE TRIGGER	1		
25	506 25 59-03	TANK CAP ASSY	1	Incl. 26, 27	
26	506 29 21-01	GASKET	1		
27	503 57 89-01	TANK CAP HOLDER	1		
28	544 06 12-01	SCREW	2		
29	537 21 03-09	ANTIVIB ELEMENT	1		
30	503 21 53-16	SCREW	2		
31	503 23 00-11	WASHER STEEL	2		
32	503 46 85-01	ANTIVIB ELEMENT	1		
33	544 38 31-02	SPRING	1		

1

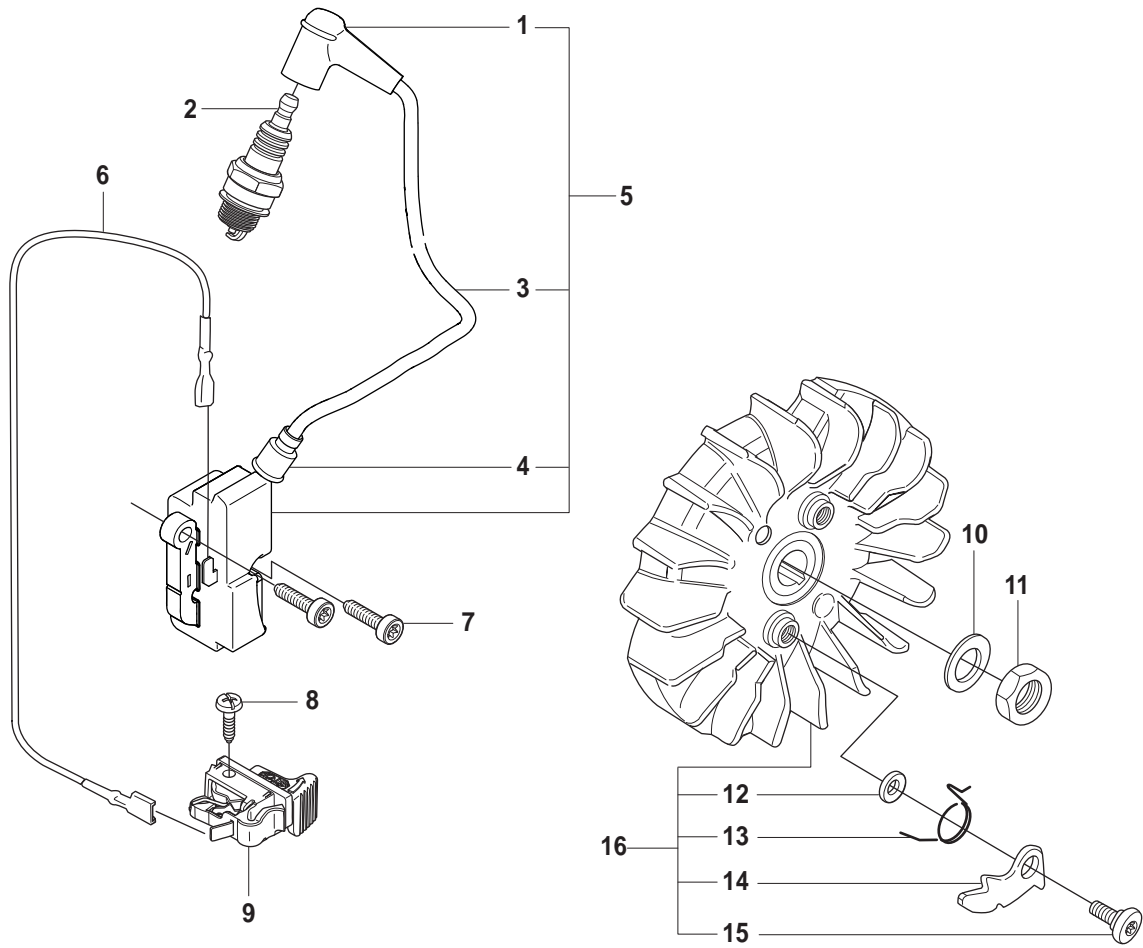


**Page H**  
**K960**

<b>Pos.</b>	<b>Part No.</b>	<b>Description</b>	<b>Quantity</b>	<b>Notes</b>	<b>New Part</b>
1	506 23 59-16	STARTER	1	Incl. 2 - 15	New Part
2	503 21 07-22	SCREW	1		
3	740 43 13-00	O-RING	1		
4	506 25 14-01	GROMMET	1		
5	506 26 31-01	SPACING SLEEVE	1		
6	506 25 30-01	COMPRESSION SPRING	1		
7	503 21 28-10	SCREW	2		
8	506 25 89-01	RECOIL SPRING	1		
9	506 25 81-02	STARTER PULLEY	1		
10	544 28 75-01	COOLING AIR CONDUCTOR	1		
11	506 33 56-15	STARTER CORD	1		
11	506 33 56-50	STARTER CORD	1	50 m Coil	
12	503 12 79-01	STARTER HANDLE	1		
13	506 21 84-04	STARTER COVER	1		New Part
14	503 21 53-21	SCREW	4		
15	506 27 23-04	LABEL	1		New Part

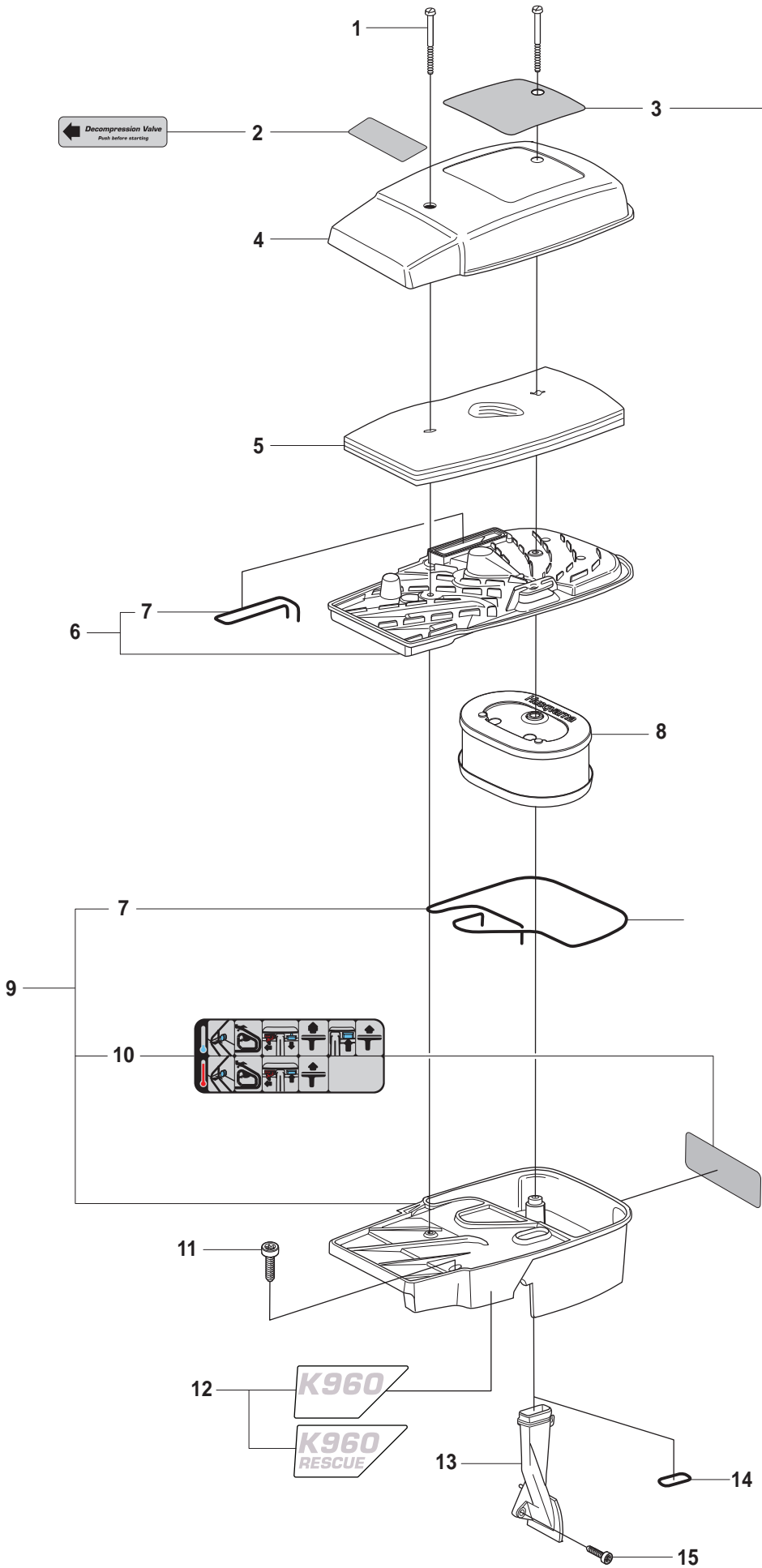
**J**

K960

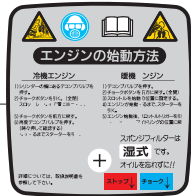
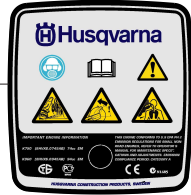


**Page J**  
**K960**

<b>Pos.</b>	<b>Part No.</b>	<b>Description</b>	<b>Quantity</b>	<b>Notes</b>	<b>New Part</b>
1	501 48 54-02	SPARK PLUG CAP	1		
2	503 23 51-09	SPARK PLUG	1	RCJ 6Y	
3	506 38 78-34	IGNITION CABLE	1		
4	505 27 75-16	INSULATING CAP	1		
5	510 11 56-03	IGNITION MODULE	1	Incl. 1, 3, 4	New Part
6	501 83 98-01	CABLE	1		
7	503 21 53-20	SCREW	2		
8	503 21 28-06	SCREW	1		
9	506 31 86-02	STOP SWITCH	1		
10	503 23 01-01	WASHER STEEL	1		
11	503 22 10-11	NUT	1		
12	503 23 00-42	WASHER STEEL	2		
13	501 63 48-01	SPRING	2		
14	501 67 32-03	PAWL	2		
15	506 00 69-01	SCREW	2		New Part
16	501 37 56-01	FLYWHEEL	1	Incl. 12 - 15	New Part



← Decompression Valve  
Push before starting



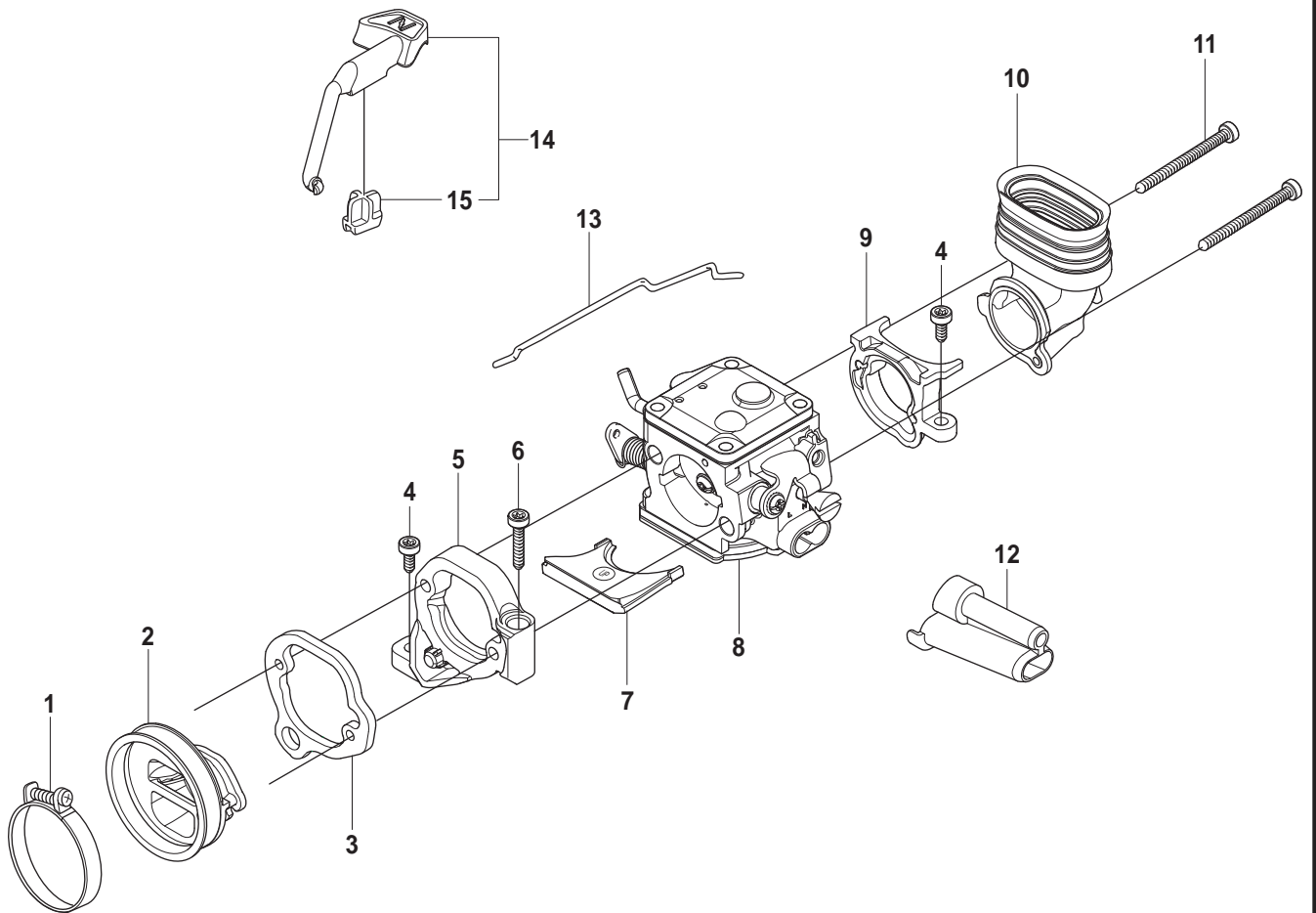
**K960**  
**K960 RESCUE**

**Page K**  
**K960**

Pos.	Part No.	Description	Quantity	Notes	New Part
1	503 21 53-45	SCREW	2		New Part
2	544 87 46-01	LABEL	1		
3	505 03 89-01	LABEL	1	EPA USA	New Part
4	506 22 17-02	AIR FILTER COVER	1		
5	506 23 19-01	PREFILTER	1		
6	506 22 18-15	FILTER BOTTOM	1	Incl. 7	
7	506 28 39-30	SEALING	2		
8	506 34 70-02	AIR FILTER	1		
9	544 89 14-02	CYLINDER COVER ASSY	1	Incl. 7, 10	New Part
10	506 24 39-02	LABEL	1		
11	503 21 53-30	SCREW	3		
12	544 89 07-09	LABEL	1		New Part
12	544 89 07-10	LABEL	1	Rescue	New Part
13	506 22 94-01	AIR NOZZLE	1		
14	740 48 20-03	O-RING	1		
15	501 98 10-01	SCREW	1		



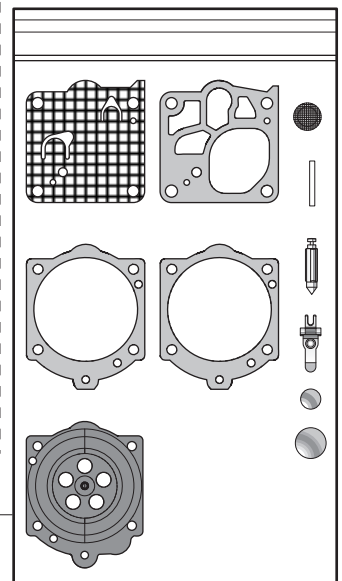
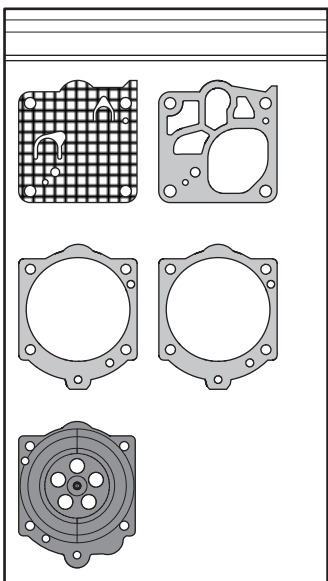
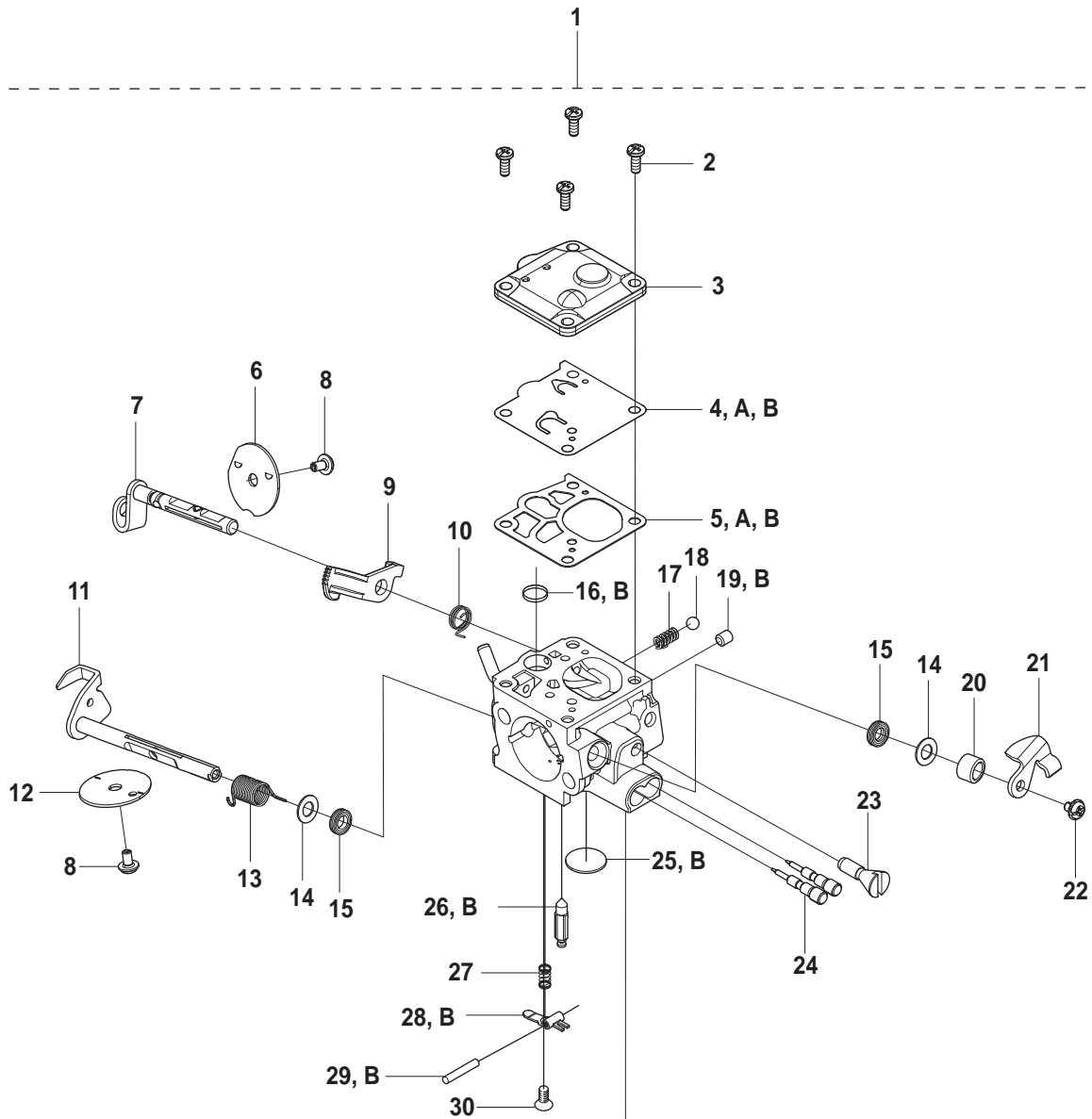
K960





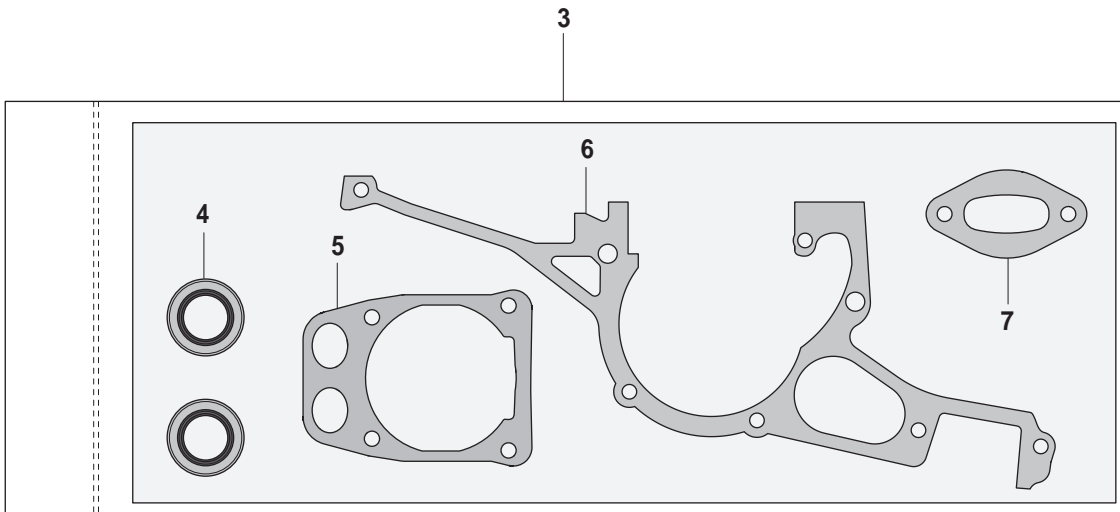
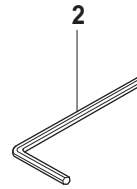
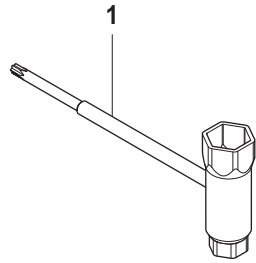
**Page L**  
**K960**

<b>Pos.</b>	<b>Part No.</b>	<b>Description</b>	<b>Quantity</b>	<b>Notes</b>	<b>New Part</b>
1	505 28 33-06	HOSE CLAMP	1		New Part
2	506 41 41-01	INLET PIPE	1		
3	544 15 01-01	FLANGE	1		
4	503 21 53-16	SCREW	2		
5	544 11 39-01	CONSOLE	1		
6	503 21 53-30	SCREW	1		
7	506 41 42-01	PLATE	1		
8	502 62 32-01	CARBURETTOR	1	Walbro RWJ-3	
9	544 11 17-01	FLANGE	1		
10	544 33 19-01	INLET BEND	1		
11	501 97 18-01	SCREW	2		
12	544 23 26-01	CHISEL GUIDE	1		
13	505 44 31-01	THROTTLE ROD	1		New Part
14	506 23 20-11	CHOKE	1	Incl. 15	
15	506 27 25-01	WEAR PROTECTION	1		



**Page M**  
**K960**

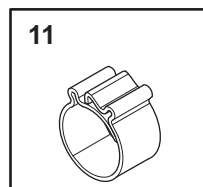
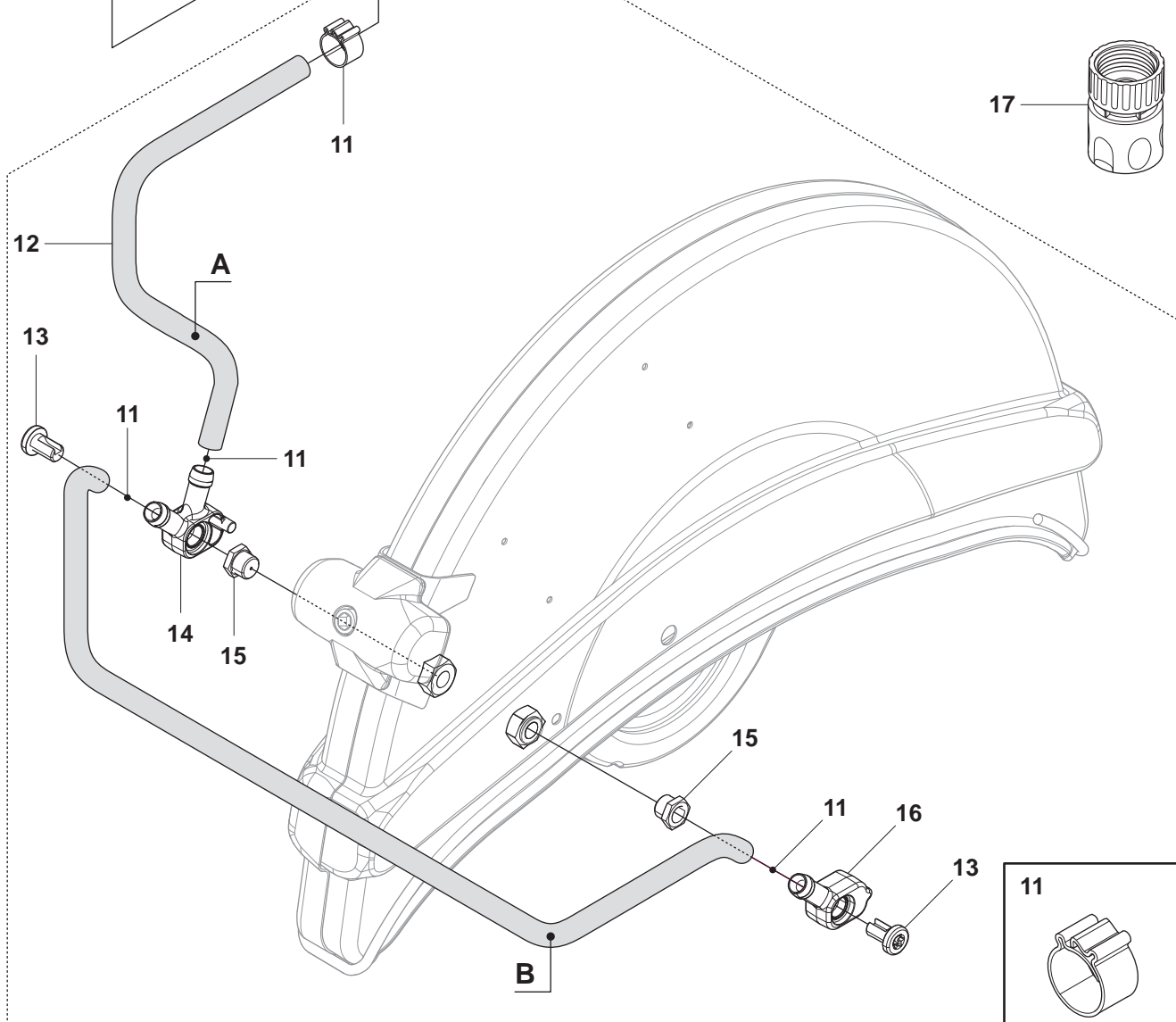
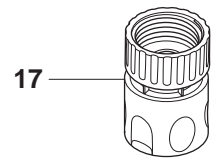
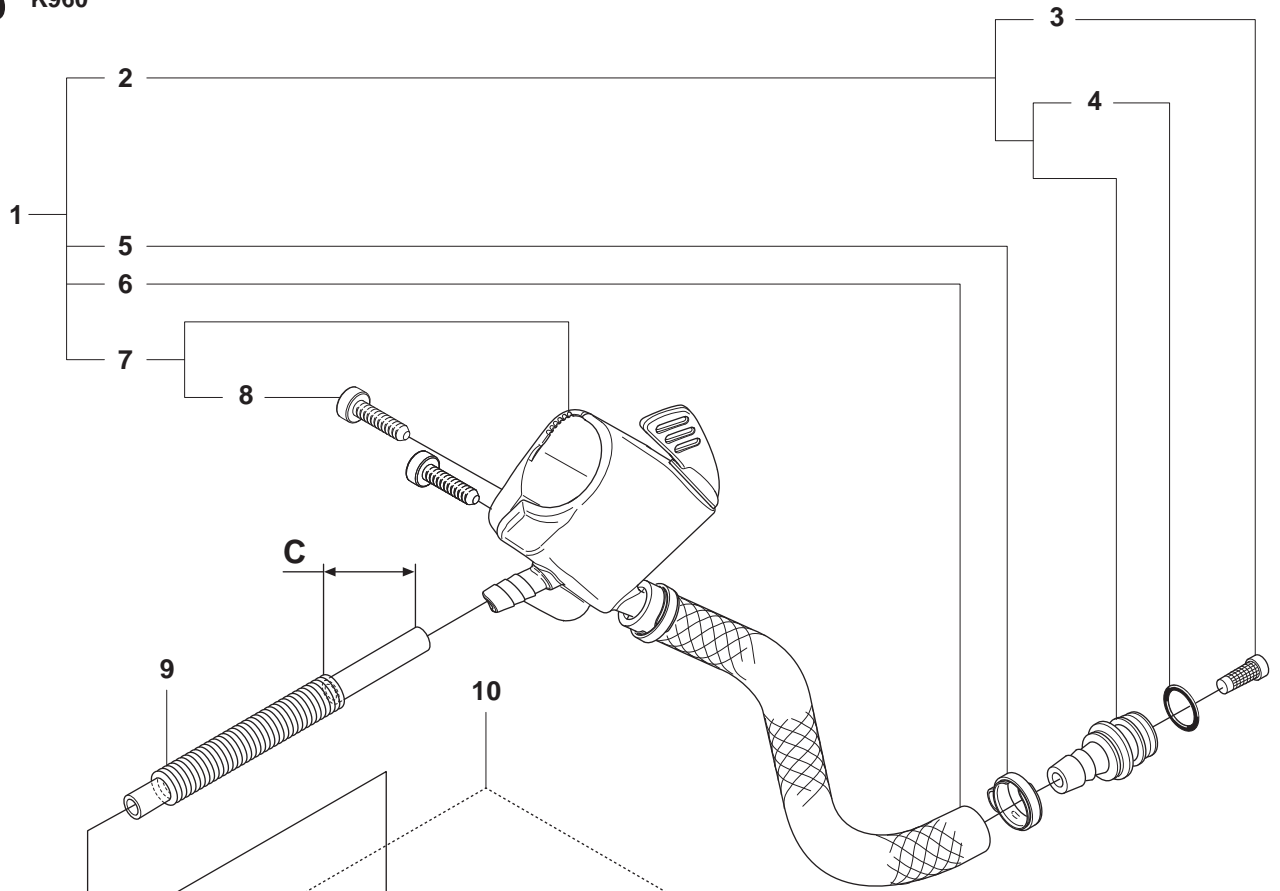
Pos.	Part No.	Description	Quantity	Notes	New Part
1	502 62 32-01	CARBURETTOR ASSY	1	Incl. 2 - 32, Walbro RWJ-3	
2	503 11 75-01	SCREW	4		
3	544 89 62-01	PUMP COVER	1		
4	544 89 72-01	DIAPHRAGM PUMP	1	A, B	
5	503 11 72-01	GASKET PUMP	1	A, B	
6	504 13 52-01	VALVE	1		
7	504 83 51-01	SHAFT	1		
8	544 11 15-01	SCREW	2		
9	504 83 31-01	LEVER	1		
10	504 83 54-01	SPRING	1		
11	504 83 50-01	SHAFT	1		
12	504 13 53-01	VALVE	1		
13	544 95 68-01	SPRING	1		
14	505 31 67-48	WASHER	2		
15	503 56 45-01	SEAL	2		
16	501 66 61-01	SCREEN-INLET	1	B	
17	503 11 77-01	SPRING	1		
18	503 11 71-01	BALL-CHOKE FRICTION	1		
19	530 03 51-57	PLUG	1	B	
20	537 00 26-01	SPACER	1		
21	544 89 60-01	LEVER	1		
22	501 46 87-01	SCREW	1		
23	544 89 76-01	SCREW	1		
24	504 13 58-01	NEEDLE	2		
25	503 57 41-01	PLUG-WELCH	1	B	
26	503 63 25-01	VALVE -INLET NEEDLE	1	B	
27	503 11 76-01	SPRING	1		
28	505 31 67-34	LEVER	1	B	
29	505 31 67-31	PIN-METERING LEVER	1	B	
30	505 31 67-17	SCREW	1		
31	544 89 71-01	GASKET	2	A, B	
32	544 89 74-01	DIAPHRAGM ASSY	1	A, B	
33	544 89 79-01	PLATE	1		
34	544 89 63-01	COVER	1		
35	537 00 20-01	SCREW	4		
36	502 44 58-01	GASKET KIT	1	Kit A. D10-RWJ	
37	502 44 59-01	REPAIR KIT	1	Kit B. K10-RWJ	



**Page N**  
**K960**

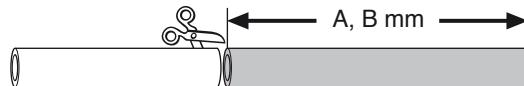
<b>Pos.</b>	<b>Part No.</b>	<b>Description</b>	<b>Quantity</b>	<b>Notes</b>	<b>New Part</b>
1	506 38 26-01	COMBINATION TOOL	1	Torx 27	
2	502 21 58-01	L-SPANNER	1	4 mm	
3	544 22 98-02	GASKET KIT	1	Incl. 9 - 12	New Part
4	503 26 02-04	SEALING RING	2		
5	506 41 40-01	GASKET	1		
6	506 41 39-02	GASKET	1		New Part
7	506 37 81-01	GASKET MUFFLER	1		

**P** K960



**Page P**  
**K960**

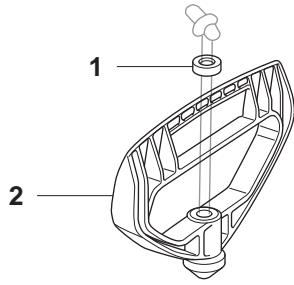
Pos.	Part No.	Description	Quantity	Notes	New Part
1	505 09 55-01	HOSE KIT	1	Incl. 2, 5 - 7	New Part
2	506 29 57-02	NIPPLE	1	Incl. 3, 4	
3	506 29 88-01	FILTER	1		
4	505 10 35-01	O-RING	1		
5	506 49 87-02	HOSE CLAMP	1		New Part
6	506 60 75-01	HOSE	1		New Part
7	506 38 60-12	VALVE ASSY	1	Incl. 8	New Part
8	503 21 54-20	SCREW	2		New Part
9	506 35 27-01	PROTECTIVE SPRING	1		
10	505 09 54-01	HOSE KIT	1		New Part
11	506 49 87-01	HOSE CLAMP	4		New Part
12	506 60 68-06	HOSE	1	620 mm	New Part
13	504 63 46-01	SCREW	2		New Part
14	504 63 44-01	HOUSING	1		New Part
15	504 63 42-01	NIPPLE	2		New Part
16	504 63 45-01	HOUSING	1		New Part
17	503 26 60-03	COUPLER	1	USA	



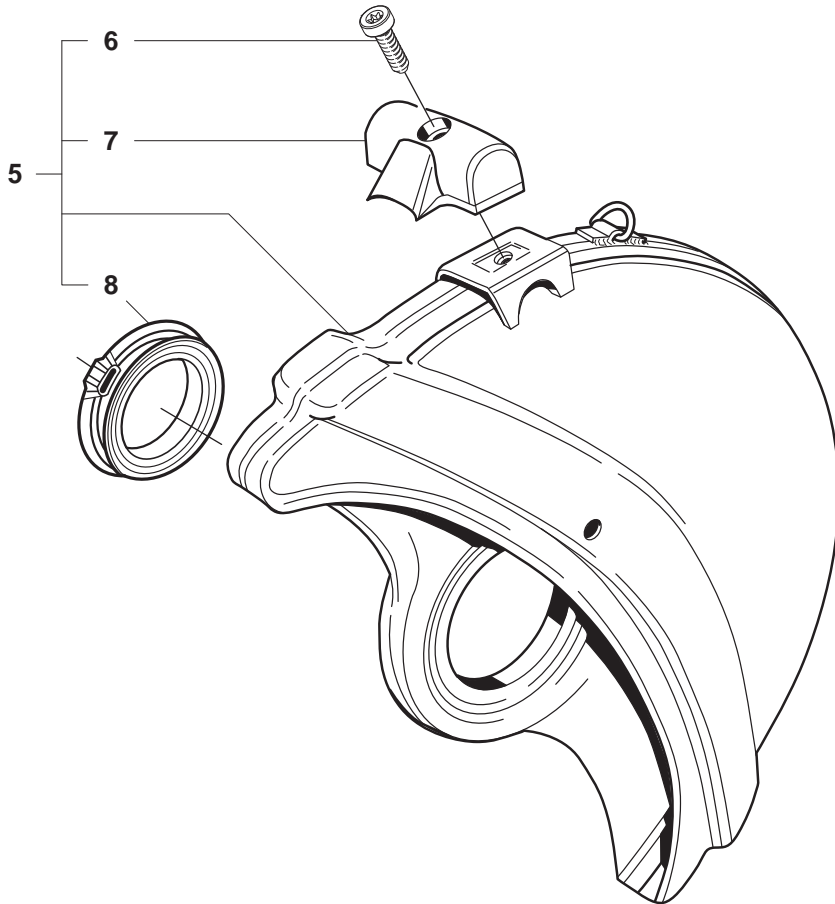
	A (mm)	B (mm)	C (mm)
<b>K960A 12"</b>	165	320	----
<b>K960A 14"</b>	205	320	105
<b>K960A 16"</b>	230	320	105

**Q** K960

**K12 FD  
FIRE-RESCUE**

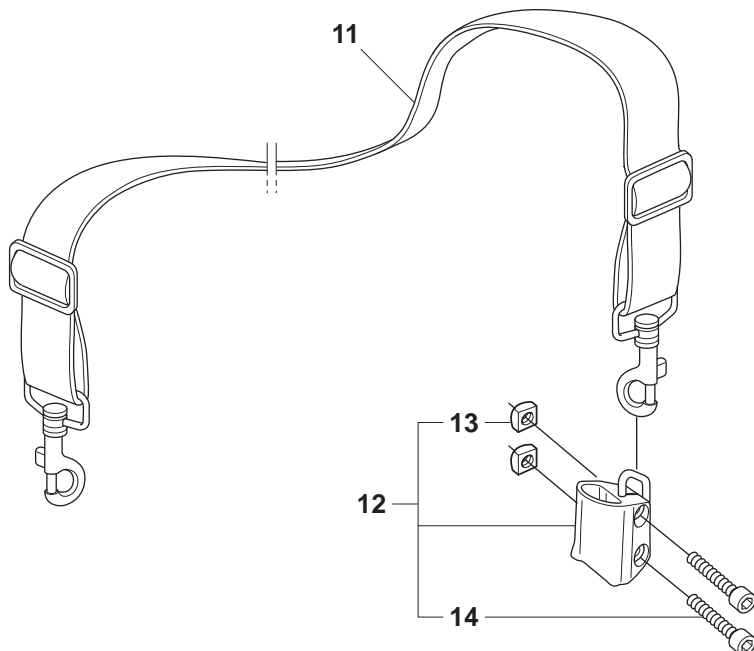


**Rescue**



9 — **Husqvarna Rescue**  
max 5100 rpm  
Ø25.4 (Ø1"), Ø300 (Ø12")

10 — **ATTENTION**  
This product has been modified for use by  
trained fire rescue personnel only.

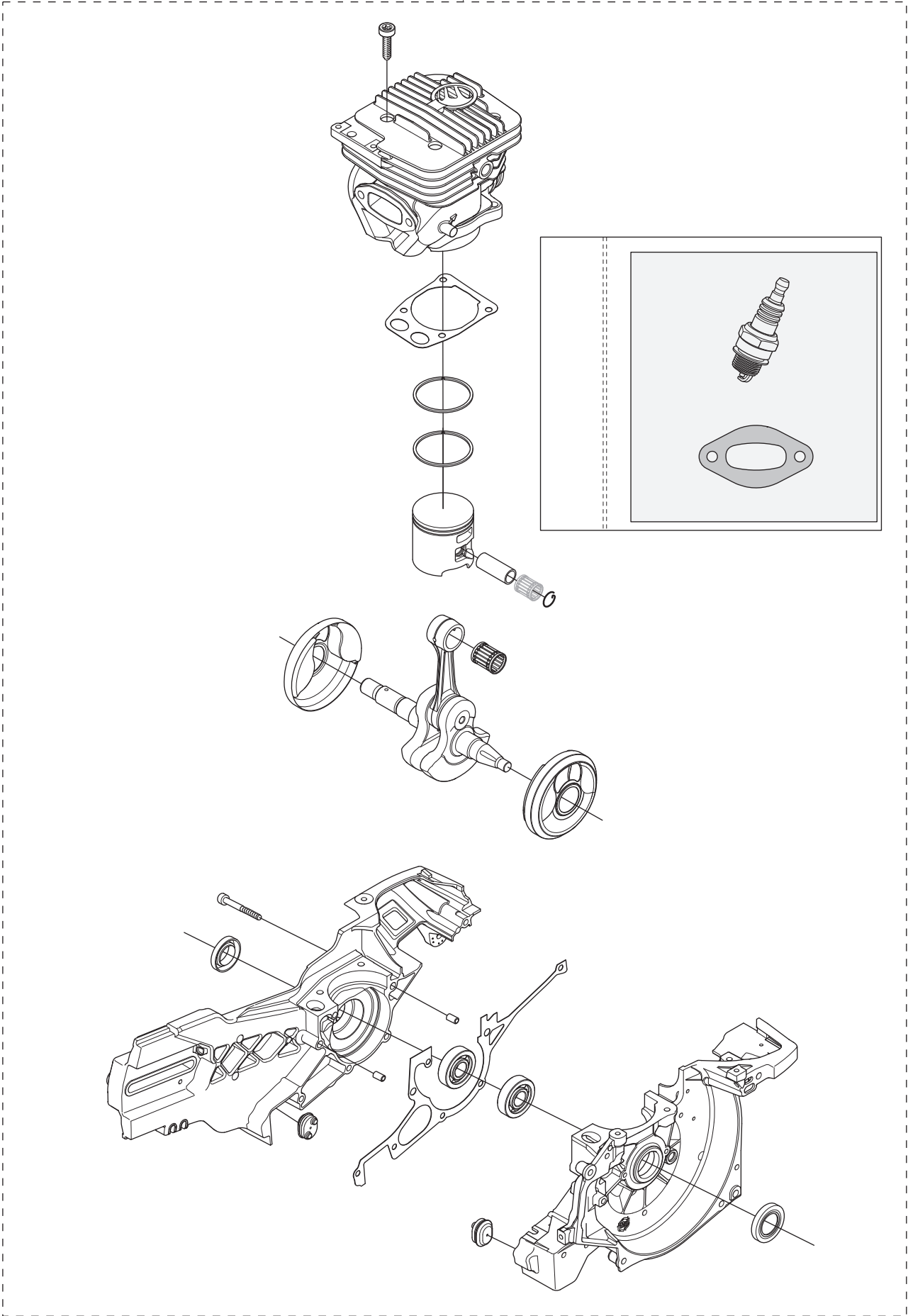




**Page Q**  
**K960**

<b>Pos.</b>	<b>Part No.</b>	<b>Description</b>	<b>Quantity</b>	<b>Notes</b>	<b>New Part</b>
1	503 14 29-02	WASHER	1		
2	506 29 75-02	STARTER HANDLE	1		
3	506 32 20-02	LABEL	1		
4	506 30 23-02	LABEL	2		
5	506 34 05-54	WHEEL GUARD ASSY	1	Rescue 14". Incl. 6 - 8	New Part
5	506 34 05-52	WHEEL GUARD ASSY	1	Rescue 12". Incl. 6 - 8	New Part
6	503 21 53-20	SCREW	1		New Part
7	506 34 46-02	HANDLE	1		
8	506 26 63-02	LINING	2		
9	544 89 06-01	LABEL	1	14"	
9	544 89 06-03	LABEL	1	12"	
10	506 32 22-02	LABEL	1		
11	506 29 76-01	SHOULDER STRAP	1		
12	506 30 25-05	BRACKET	1	Incl. 13, 14	
13	503 22 65-04	NUT	2		
14	503 21 53-12	SCREW	2		

1



Page R  
K960

Pos.	Part No.	Description	Quantity	Notes	New Part
1	544 21 47-04	LONG BLOCK	1		