

K750

Reservdelar

Spare parts

Ersatzteile

Pieces de rechange

Piezas de repuesto

Ricambi

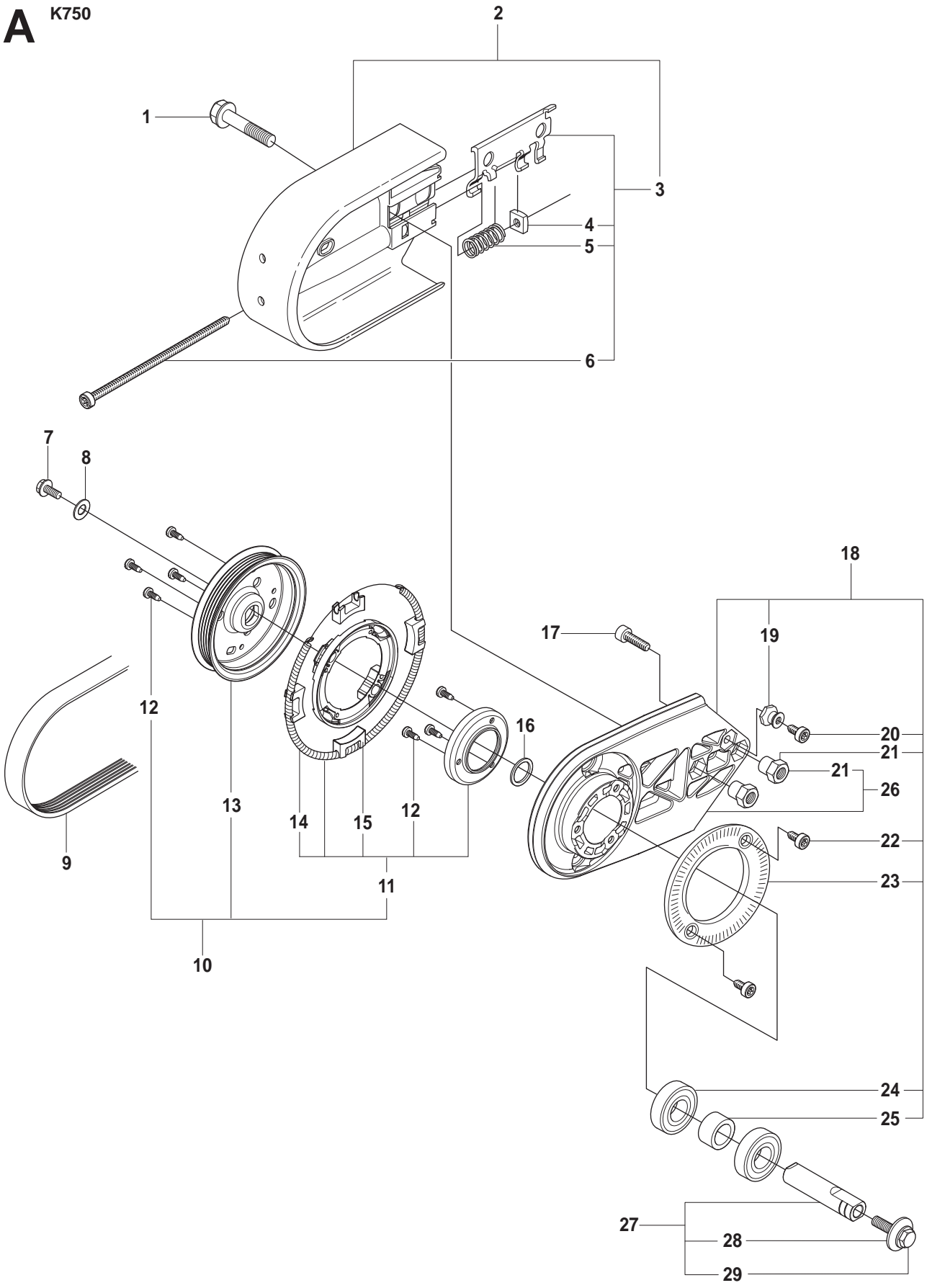
Peças sobresselente

No.	Pos.	Description	No.	Pos.	Description
501 01 88-01	F2	HOUSING	504 63 45-01	N	HOUSING
501 01 94-01	F2	SWITCH	504 63 46-01	N	SCREW
501 01 95-01	P	SWITCH	505 03 89-01	K	LABEL
501 27 08-01	C	GUIDE BUSHING	505 03 89-02	K	LABEL
501 27 13-02	F1F2	CABLE GROMMET	505 09 54-01	N	HOSE KIT
501 31 89-01	F2	LABEL	505 09 55-01	N	HOSE KIT
501 37 13-01	F1F2	LID	505 19 52-01	F1F2	FUEL HOSE
501 48 54-02	J	SPARK PLUG CAP	505 25 96-01	D	MUFFLER MOUNTING KIT
501 63 48-01	J	SPRING	505 27 75-16	J	ISOLERHATT
501 67 32-03	J	PAWL	505 42 44-01	D	SPRING RETAINER
501 81 99-01	J	SCREW	505 42 45-01	D	VIB.INSULATOR
502 23 33-01	F2P	CUP SPRING	505 44 54-03	A	RETARDER CPL
502 28 70-01	P	KIT SWITCH OFF	506 02 87-01	B	FLANGE WASHER
502 28 92-02	C	DRIVING PULLEY ASSY	506 02 88-30	B	BUSHING
502 29 50-02	E	CRANKSHAFT ASSY	506 07 08-01	A	SPACING SLEEVE
503 12 79-01	H	STARTER HANDLE	506 07 09-01	B	FLANGE WASHER
503 14 29-02	Q	WASHER	506 09 56-06	N	HOSE CLAMP
503 16 40-01	F1F2	TANK VENT	506 13 95-11	A	WASHER
503 20 00-45	A	SCREW	506 13 96-01	A	COLLAR SCREW
503 20 03-12	C	SCREW	506 14 32-01	A	TORSION STOP
503 20 72-05	A	SCREW	506 22 28-02	F1F2	THROTTLE LOCKOUT
503 21 07-22	H	SCREW	506 24 34-35	B	LABEL
503 21 28-06	J	SCREW	506 24 35-25	B	LABEL
503 21 28-10	AF1F2HJ	SCREW	506 25 14-01	H	GROMMET
503 21 45-16	F1F2	SCREW	506 25 30-01	H	COMPRESSION SPRING
503 21 53-10	AL	SCREW	506 25 59-03	F1	TANK CAP ASSY
503 21 53-16	ADG	SCREW	506 25 59-04	F2	TANK CAP ASSY
503 21 53-16	Q	SCREW	506 25 81-02	H	STARTER PULLEY
503 21 53-20	JL	SCREW	506 25 89-01	H	RECOIL SPRING
503 21 53-21	CHK	SCREW	506 25 90-25	K	LABEL
503 21 53-25	DG	SCREW	506 26 31-01	H	SPACING SLEEVE
503 21 53-40	G	SCREW	506 26 41-01	F1F2	FUEL FILTER
503 21 53-41	CD	SCREW	506 26 41-11	F1F2	FUEL FILTER
503 21 53-56	DKL	SCREW	506 26 63-02	BQ	LINING
503 21 54-20	F1F2N	SCREW	506 26 64-01	B	SCREEN PATTERN FLANG
503 22 10-11	J	NUT	506 26 65-01	B	FLANGE
503 22 65-04	CDF1F2LQ	NUT	506 26 66-04	A	BELT TENSIONER ASSY
503 23 00-42	J	WASHER STEEL	506 26 68-01	A	COMPRESSION SPRING
503 23 00-70	C	WASHER STEEL	506 27 11-01	F1F2	HOSE CLAMP
503 23 01-01	J	WASHER STEEL	506 27 27-10	J	FLYWHEEL
503 23 01-04	A	WASHER STEEL	506 28 41-02	B	LABEL
503 23 01-16	A	WASHER STEEL	506 28 41-04	B	LABEL
503 23 04-02	D	WASHER	506 28 41-12	B	LABEL
503 23 51-09	J	SPARK PLUG	506 28 41-14	B	LABEL
503 25 21-01	A	BALL BEARING	506 28 44-02	A	COLLAR SCREW
503 25 56-01	DE	NEEDLE BEARING	506 28 73-01	A	NUT
503 26 02-04	CDLP	SEALING RING	506 28 84-01	A	RATCHET FLANGE
503 26 60-03	GN	COUPLER	506 29 21-01	F1F2	GASKET
503 26 60-04	GN	COUPLER	506 29 57-02	N	NIPPLE
503 28 32-09	LM	CARBURETTOR	506 29 75-02	Q	STARTER HANDLE
503 28 90-47	D	PISTON RING	506 29 76-01	Q	SHOULDER STRAP
503 40 06-09	L	IMPULSE HOSE	506 29 83-63	A	SHAFT
503 47 96-01	M	SCREW	506 29 88-01	N	FILTER
503 48 00-01	M	PIN RETAINING SCREW	506 30 23-02	Q	LABEL
503 48 11-01	M	PIECE	506 30 25-04	Q	BRACKET
503 48 18-01	M	SCREW	506 30 97-05	A	LABEL
503 53 56-01	M	PLUG WELCH	506 31 30-01	F1F2	LABEL
503 53 57-01	M	STRAINER	506 31 69-01	C	DUST COVER
503 55 22-01	D	PLUG	506 31 86-02	F1F2J	STOP SWITCH
503 57 89-01	F1F2	TANK CAP HOLDER	506 32 20-02	Q	LABEL
503 61 66-01	M	GASKET PUMP	506 32 22-02	Q	LABEL
503 71 53-01	D	DECOMPRESSION VALVE	506 32 48-01	B	SUPPORT FLANGE
503 74 43-01	C	CLUTCH SPRING	506 33 56-15	H	STARTER CORD
503 74 44-04	C	CLUTCH ASSY	506 34 05-42	B	WHEEL GUARD ASSY
503 84 61-01	C	BUFFER	506 34 05-44	B	WHEEL GUARD ASSY
503 93 66-01	F1F2	PRIMER HOUSING	506 34 05-52	Q	WHEEL GUARD ASSY
504 03 70-05	A	PULLEY WITH RETARDER	506 34 46-02	BQ	HANDLE
504 35 72-01	F1F2	SINTER PLUG	506 36 42-03	D	MUFFLER
504 63 42-01	N	NIPPLE	506 36 68-02	K	FILTER COVER
504 63 44-01	N	HOUSING	506 36 69-02	K	FILTER BOTTOM

No.	Pos.	Description	No.	Pos.	Description
506 36 71-01	K	PREFILTER	506 39 79-01	M	WASHER
506 36 72-03	L	AIR FILTER PAPER	506 39 84-02	K	CYLINDER COVER ASSY
506 36 88-01	D	BRACKET	506 39 84-03	K	LABEL
506 36 91-03	C	BELT GUARD	506 39 90-01	M	O-RING
506 36 92-03	H	STARTER COVER	506 39 91-01	M	PLUG
506 36 97-01	L	INLET PIPE	506 40 93-01	A	NUT
506 36 98-01	L	INLET PIPE	506 40 99-01	M	GASKET KIT
506 37 03-01	K	AIR NOZZLE	506 41 00-01	M	GASKET KIT CARB
506 37 04-01	K	BELLOWS	506 41 23-01	CDLP	GASKET
506 37 05-01	L	FLANGE INLET PIPE	506 49 87-01	N	HOSE CLAMP
506 37 06-01	L	FLANGE INLET PIPE	506 49 87-02	N	HOSE CLAMP
506 37 11-03	G	FRONT HANDLE	506 60 68-66	N	HOSE
506 37 13-01	F1F2	THROTTLE ROD	506 60 75-01	N	HOSE
506 37 19-02	F1F2	BASE PLATE	510 11 56-02	J	IGNITION MODULE
506 37 20-03	F1F2	THROTTLE TRIGGER	510 18 12-01	LM	CARBURETTOR
506 37 24-01	D	PISTON ASSY	520 75 73-02	D	CYLINDER ASSY
506 37 55-02	G	GROUND SUPPORT	522 60 75-01	M	VALVE
506 37 56-02	G	GROUND SUPPORT	537 01 25-01	M	BALL
506 37 58-02	D	COOLING PLATE	537 01 26-01	M	SPRING
506 37 67-01	CDLP	CYLINDER BASE GASKET	537 17 62-01	M	VALVE
506 37 68-03	CDLP	GASKET CARBURETTOR	537 17 64-01	M	LEVER
506 37 69-02	CDLP	GASKET MUFFLER	537 17 70-01	M	VALVE
506 37 70-02	CDLP	GASKET CRANKCASE	537 17 78-01	M	PLUG
506 37 70-03	CDLP	GASKET CRANKCASE	537 20 33-01	E	CUP
506 37 72-02	G	SPRING RETAINER	537 21 03-06	G	AV-ELEMENT
506 37 80-01	F1F2	GROMMET	537 21 03-07	F1F2	AV-ELEMENT
506 37 84-02	J	CABLE	537 27 34-01	M	SPRING
506 37 85-01	J	CABLE	537 38 51-01	M	SCREW
506 37 95-01	F1F2	SPRING	537 38 52-01	M	E-CLIP
506 37 96-20	B	BUSHING	544 00 78-01	C	BRACKET
506 37 96-22	B	BUSHING	544 06 12-01	CDF1F2G	SCREW
506 37 96-25	B	BUSHING	544 08 21-01	M	SCREW
506 38 15-01	F1F2	HEAT SHIELD	544 08 22-01	M	SCREW
506 38 26-01	P	COMBINATION TOOL	544 18 16-02	L	FILTER
506 38 53-05	CDLP	GASKET KIT	544 21 93-02	CDLP	INSERT
506 38 56-12	H	STARTER	544 22 90-02	F1F2	CHOKE CONTROL
506 38 58-02	G	HANDLE	544 23 82-01	F1F2	BAND
506 38 59-04	G	HOSE	544 32 49-29	F1F2	FUEL HOSE
506 38 60-02	N	VALVE ASSY	544 32 49-37	F2	FUEL HOSE
506 38 62-01	K	COVER	544 32 49-38	F1F2	FUEL HOSE
506 38 65-08	F1F2	FUEL TANK	544 32 50-02	F2	FUEL HOSE
506 38 65-12	F1F2	FUEL TANK	544 32 50-03	F1	FUEL HOSE
506 38 66-01	F1F2	TANK VENT ASSY	544 35 26-01	L	PLATE
506 38 67-02	F1F2	GROUND SUPPORT	544 38 39-01	H	AIR CONDUCTOR
506 38 71-02	G	STOP	544 38 41-01	F2	ELECTRONIC BOX
506 38 78-34	J	IGNITION CABLE	544 38 49-01	J	CABLE
506 39 32-02	L	CARBURETTOR BRACKET	544 39 32-01	F1F2	HOSE CLIP
506 39 36-02	A	BELT GUARD	544 44 04-02	A	BRAKE SHOE
506 39 42-05	A	BEARING HOUSING	544 44 06-02	A	PULLEY
506 39 42-06	A	BEARING HOUSING	544 44 10-01	A	SPRING
506 39 46-02	F1F2	CAP	544 83 64-01	M	PUMP COVER
506 39 54-01	M	COLLAR	544 83 65-01	M	SPRING
506 39 55-01	M	COVER	544 87 46-02	K	LABEL
506 39 56-01	M	COVER	544 88 90-06	C	CRANKCASE ASSY
506 39 57-01	M	DIAPHRAGM ASSY	544 88 90-07	R	CRANKCASE ASSY
506 39 58-01	M	GASKET	544 88 90-08	S	CRANKCASE ASSY
506 39 60-01	M	DIAPHRAGM PUMP	544 89 06-02	Q	LABEL
506 39 61-01	M	NOZZLE ASSY	544 89 08-01	H	LABEL
506 39 62-01	M	GASKET	544 89 09-01	K	LABEL
506 39 64-01	M	QUAD RING	544 89 10-03	K	LABEL
506 39 65-01	M	ROD	544 89 10-04	K	LABEL
506 39 66-01	M	SCREW	544 89 11-01	C	LABEL
506 39 69-01	M	SCREW	544 90 84-02	A	BELT
506 39 70-01	M	SCREW	544 97 93-01	J	CABLE
506 39 71-01	M	SHAFT ASSY	720 12 40-20	F1F2	PARALLEL PIN
506 39 72-01	M	SCREW	725 53 29-55	AB	SCREW
506 39 73-01	M	SHAFT ASSY CHOKE	725 53 31-55	BQ	SCREW
506 39 74-01	M	SHAFT ASSY	737 43 12-00	D	CIRCLIP
506 39 75-01	M	SPRING	738 21 01-04	C	BALL BEARING
506 39 78-01	M	VALVE	738 22 02-25	CE	BALL BEARING

No.	Pos.	Description	No.	Pos.	Description
740 43 13-00	H	O-RING			

A K750



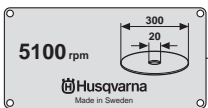
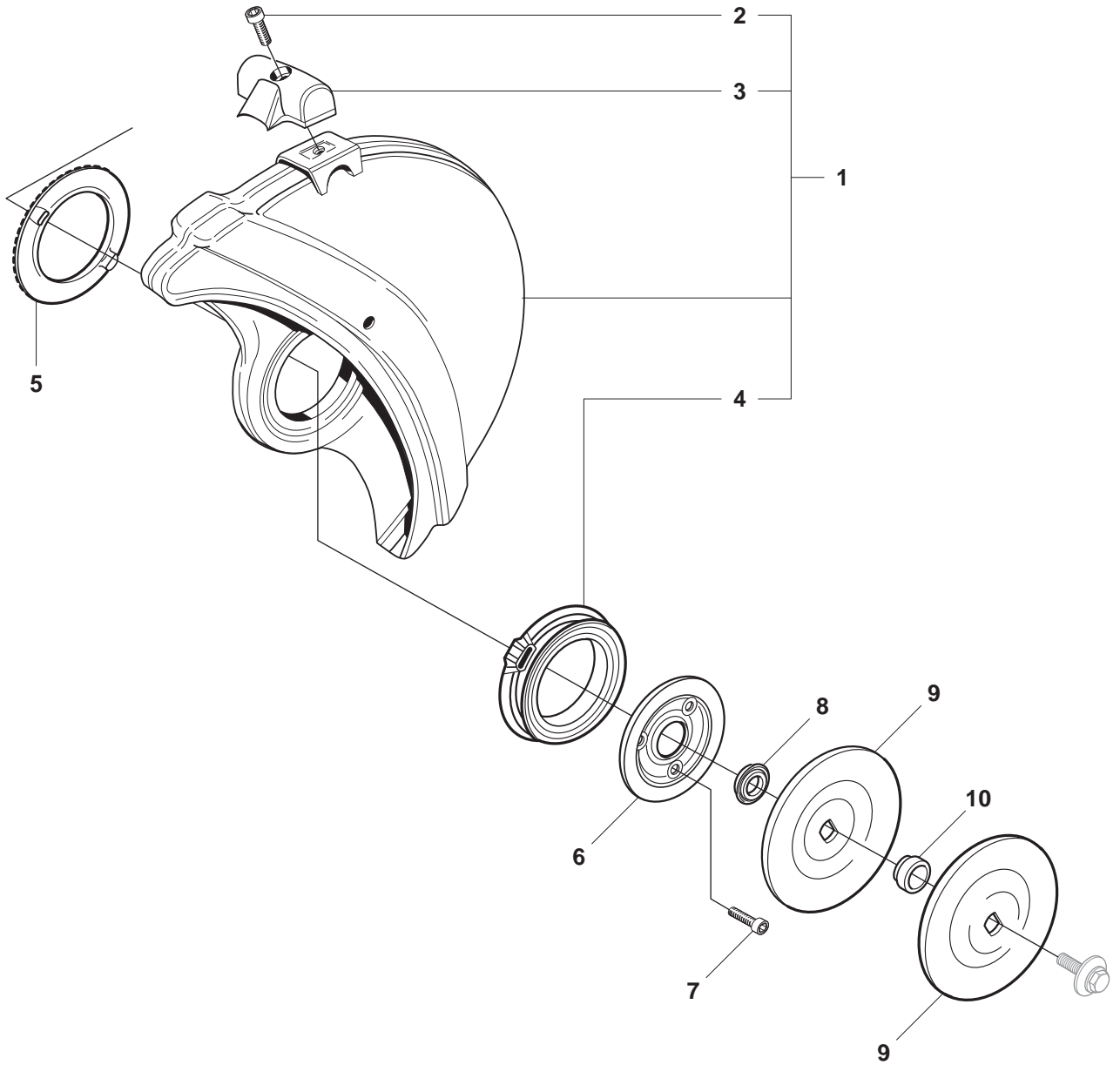
★Vベルトの張り直し
 Vベルトカバー上の2個のナットを緩め、V
 ベルトを調整し、再びナットを締め、V
 ベルトカバーを戻す。



30

Page A
K750

Pos.	Part No.	Description	Quantity	Notes	New Part
1	506 28 44-02	COLLAR SCREW	2		
2	506 39 36-02	BELT GUARD	1	Incl. 3	
3	506 26 66-04	BELT TENSIONER ASSY	1	Incl. 4 - 6	
4	506 40 93-01	NUT	1		
5	506 26 68-01	COMPRESSION SPRING	1		
6	503 20 72-05	SCREW	1		
7	503 20 00-45	SCREW	1		
8	503 23 01-16	WASHER STEEL	1		
9	544 90 84-02	BELT	1		
10	504 03 70-05	PULLEY WITH RETARDER	1	Incl. 11 - 13	New Part
11	505 44 54-03	RETARDER CPL	1	Incl. 12, 14 - 15	New Part
12	503 21 28-10	SCREW	7		
13	544 44 06-02	PULLEY	1		New Part
14	544 44 10-01	SPRING	1		
15	544 44 04-02	BRAKE SHOE	4		New Part
16	503 23 01-04	WASHER STEEL	1		
17	725 53 29-55	SCREW	1		
18	506 39 42-05	BEARING HOUSING	1	Incl. 19 - 25, 27	New Part
19	506 14 32-01	TORSION STOP	1		
20	503 21 53-16	SCREW	1		
21	506 28 73-01	NUT	2		
22	503 21 53-10	SCREW	2		
23	506 28 84-01	RATCHET FLANGE	1		
24	503 25 21-01	BALL BEARING	2		
25	506 07 08-01	SPACING SLEEVE	1		
26	506 39 42-06	BEARING HOUSING	1	Incl. 21	New Part
27	506 29 83-63	SHAFT	1	Incl. 28, 29	
28	506 13 95-11	WASHER	1		
29	506 13 96-01	COLLAR SCREW	1		
30	506 30 97-05	LABEL	1	Japan only	New Part



11

△ 取扱い上のご注意 △

パートナーカッターは、取扱いを誤ると危険を及ぼすことがあります。安全作業のために取扱説明書に従ってください。

- このパートナーカッターは、全ての使用方法、メンテナンス方法、安全警告内容を、よく読み、理解の上で取扱いして下さい。
- 取扱いの上で確認せよ、パートナーカッター機として設置された部品は必ず使用して下さい。
- 取扱いに際して、アースカウチに接続しない方法に従ってください。
- 刃は、鋭利な刃、ハシカトラ、安全用具、安全眼鏡、安全手袋等を使用して下さい。
- 作業時、作業開始前必ず安全確認を行ってください。
- アースカウチの接地不良は、感電の原因となります。
- 刃が鋭利なため、作業中に刃が折れたり、壊れたりすることがあります。
- 刃が鋭利なため、作業中に刃が折れたり、壊れたりすることがあります。

12

※ 注意

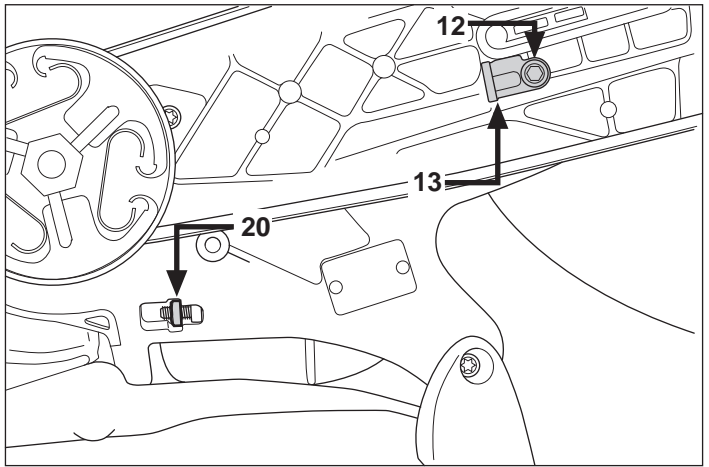
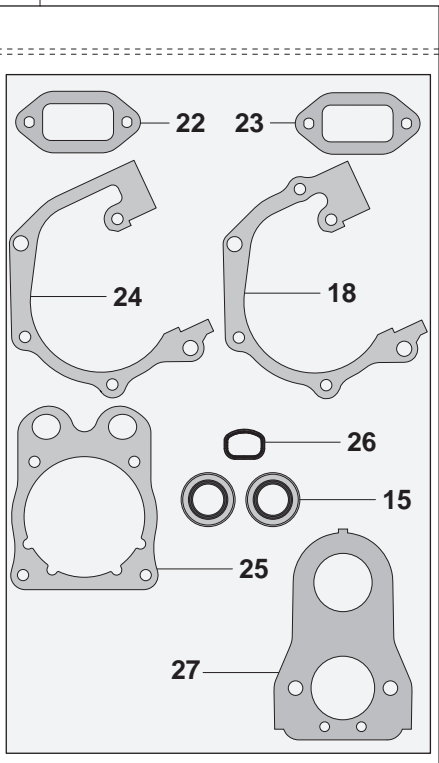
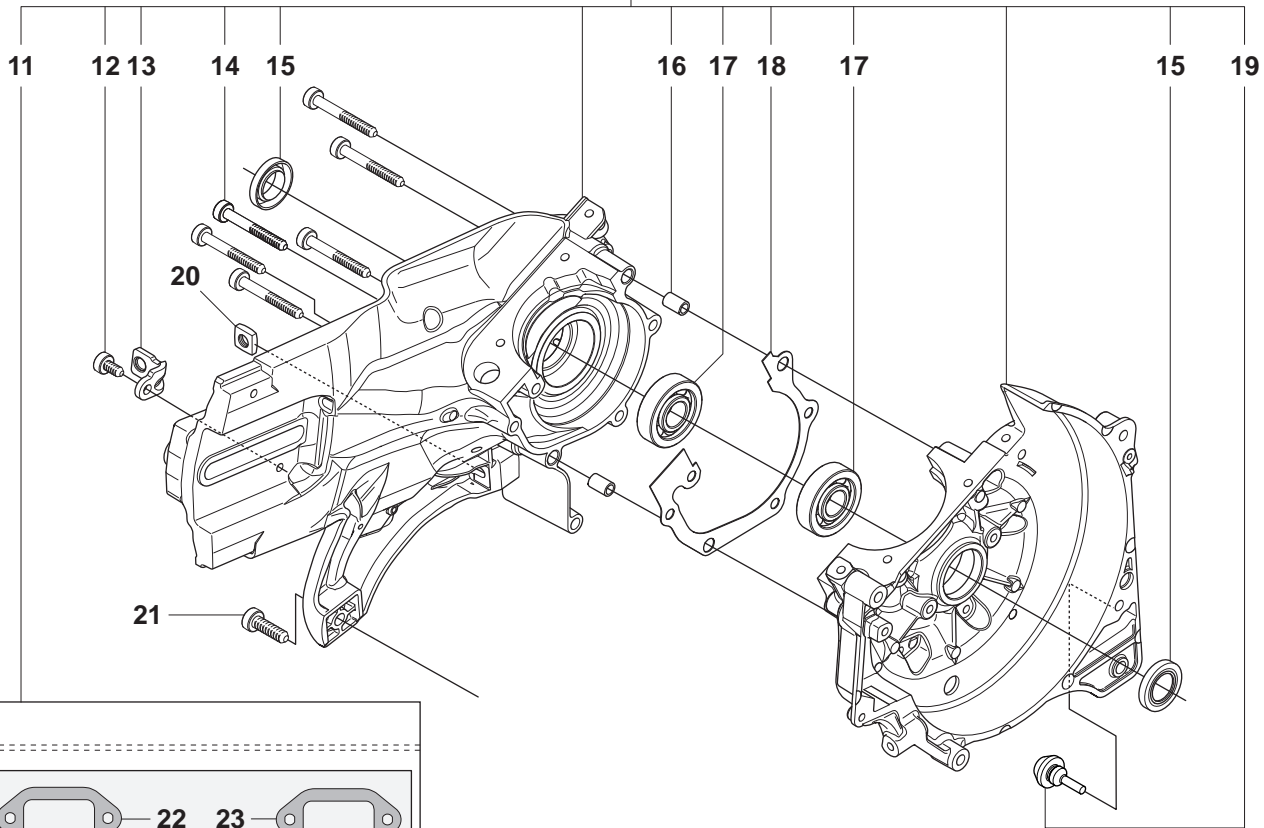
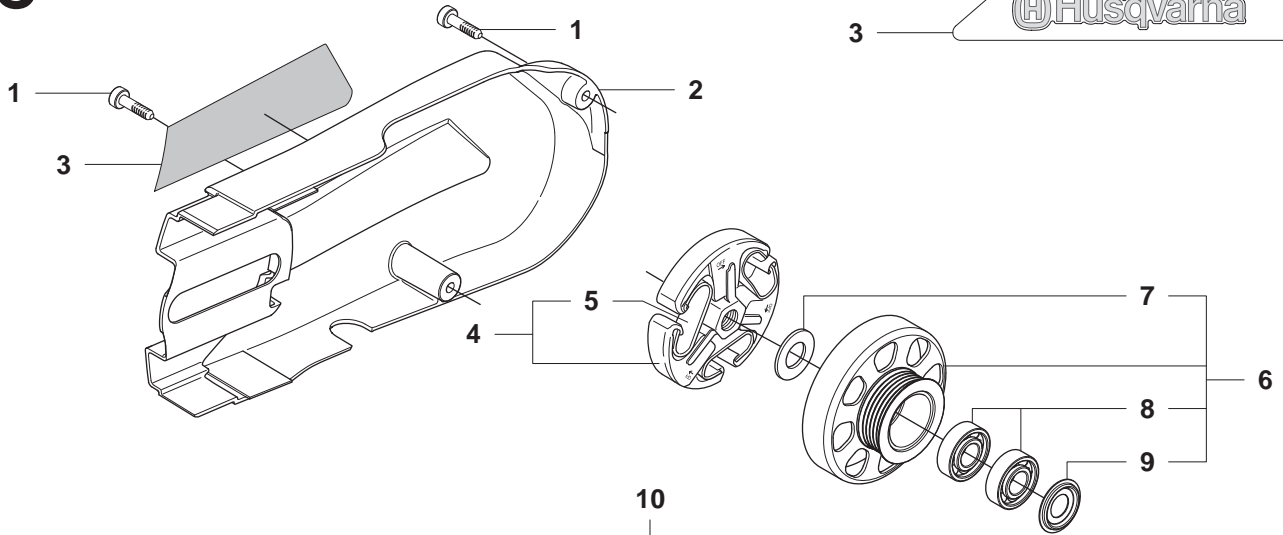
本機に使用するカッターディスク (替刃) は輸入品、国産品ともメーカー指定品を御使用下さい。ディスクには必ず Husqvarna (ハスクバーナ) の表記があります。指定外のディスクは安全性に欠けます。指定外のディスクを使用した際の責任については、当社は責任を負いません。尚、取扱説明書をよく御読みの上御使用下さい。

13

Page B
K750

Pos.	Part No.	Description	Quantity	Notes	New Part
1	506 34 05-42	WHEEL GUARD ASSY	1	12", Incl. 2 - 4	New Part
1	506 34 05-44	WHEEL GUARD ASSY	1	14", Incl. 2 - 4	New Part
2	725 53 31-55	SCREW	1		New Part
3	506 34 46-02	HANDLE	1		
4	506 26 63-02	LINING	1		
5	506 26 64-01	SCREEN PATTERN FLANG	1		
6	506 26 65-01	FLANGE	1		
7	725 53 29-55	SCREW	3		
8	506 32 48-01	SUPPORT FLANGE	1		
9	506 02 87-01	FLANGE WASHER	2	Diam 105 mm	
9	506 07 09-01	FLANGE WASHER	2	Diam 119 mm	
10	506 37 96-20	BUSHING	1	Diam 20 mm	
10	506 37 96-22	BUSHING	1	Diam 22,2 mm	
10	506 37 96-25	BUSHING	1	Diam 25,4 mm	
10	506 02 88-30	BUSHING	1	Diam 30,5 mm	
11	506 28 41-04	LABEL	1	12", Diam 1"	
11	506 28 41-02	LABEL	1	12", Diam 20 mm	
11	506 28 41-14	LABEL	1	14", Diam 1"	
11	506 28 41-12	LABEL	1	14", Diam 20 mm	
12	506 24 34-35	LABEL	1	Japan only	New Part
13	506 24 35-25	LABEL	1	Japan only	New Part

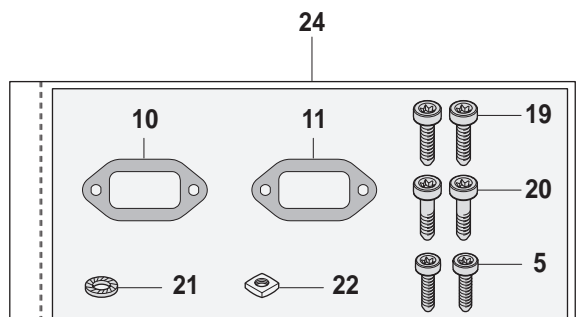
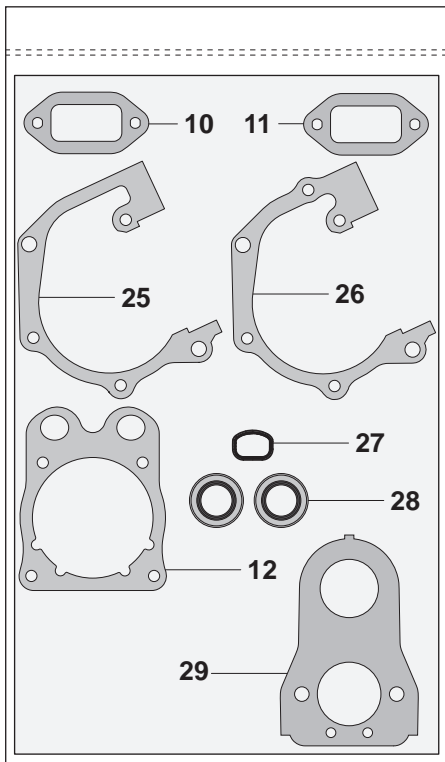
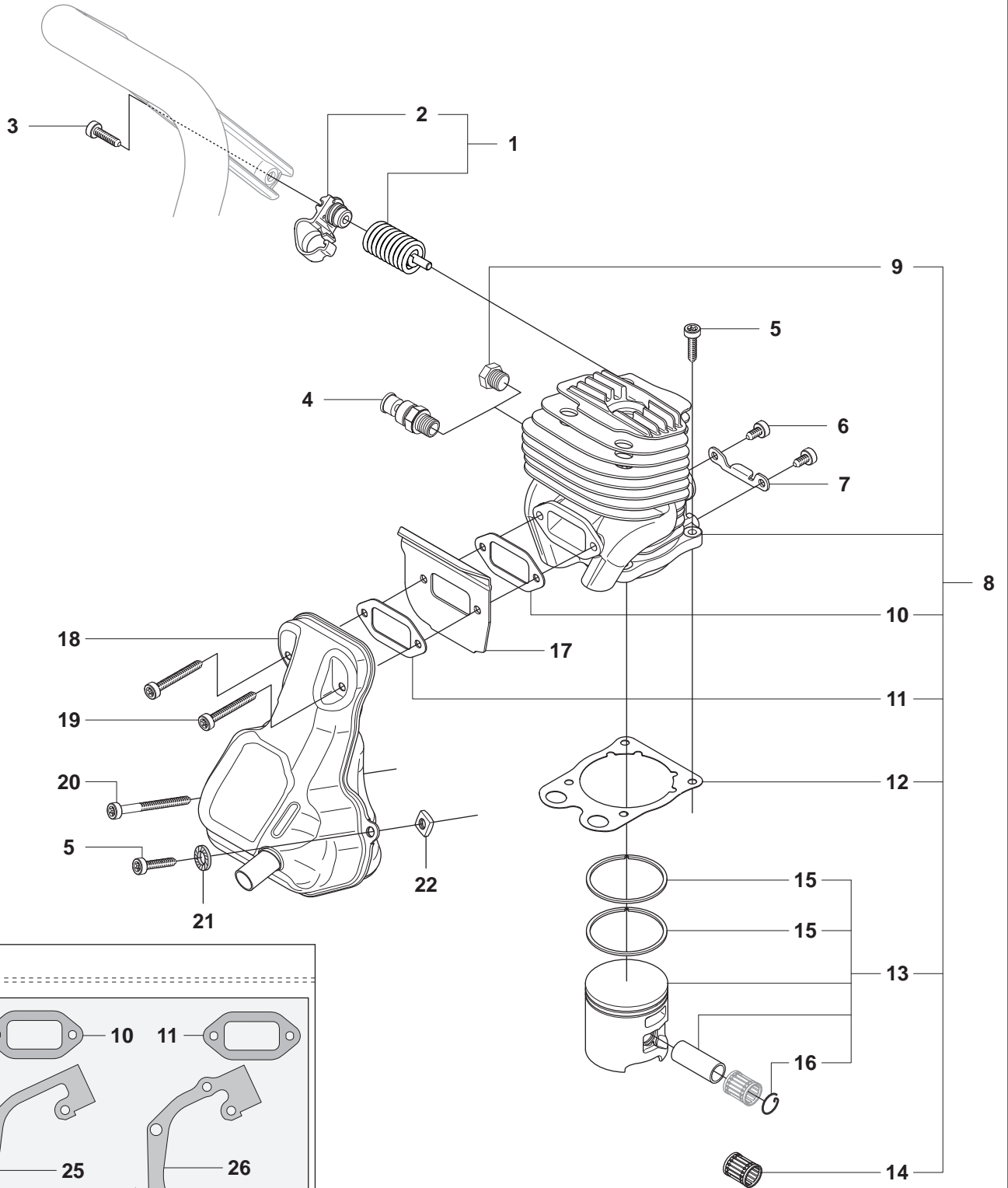
C K750



Page C
K750

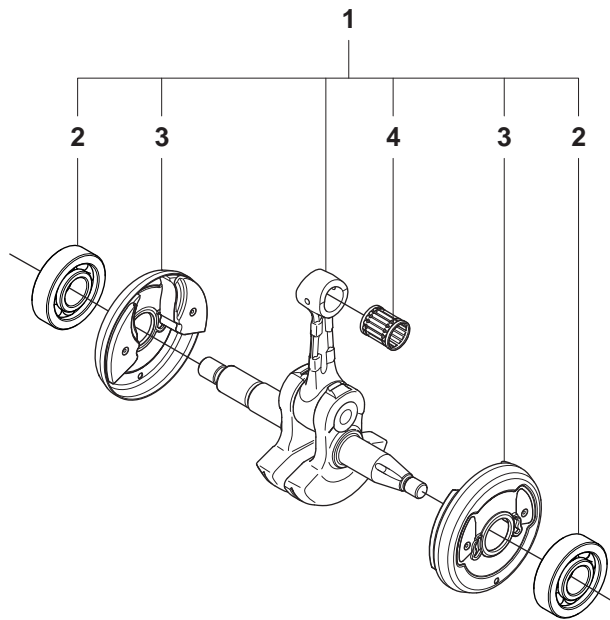
Pos.	Part No.	Description	Quantity	Notes	New Part
1	503 21 53-21	SCREW	2		
2	506 36 91-03	BELT GUARD	1		
3	544 89 11-01	LABEL	1		
4	503 74 44-04	CLUTCH ASSY	1	Incl. 5	
5	503 74 43-01	CLUTCH SPRING	3		
6	502 28 92-02	DRIVING PULLEY ASSY	1	Incl. 7 - 9	
7	503 23 00-70	WASHER STEEL	1		
8	738 21 01-04	BALL BEARING	2		
9	506 31 69-01	DUST COVER	1		
10	544 88 90-06	CRANKCASE ASSY	1	Incl. 11 - 19	
11	506 38 53-05	GASKET KIT	1	Incl. 15, 18, 22 - 26	New Part
12	503 20 03-12	SCREW	1		
13	544 00 78-01	BRACKET	1		
14	503 21 53-41	SCREW	6		
15	503 26 02-04	SEALING RING	2		
16	501 27 08-01	GUIDE BUSHING	2		
17	738 22 02-25	BALL BEARING	2		
18	506 37 70-03	GASKET CRANKCASE	1		
19	503 84 61-01	BUFFER	1		
20	503 22 65-04	NUT	1		
21	544 06 12-01	SCREW	1		
22	506 41 23-01	GASKET	1		
23	506 37 69-02	GASKET MUFFLER	1		
24	506 37 70-02	GASKET CRANKCASE	1		
25	506 37 67-01	CYLINDER BASE GASKET	1		
26	544 21 93-02	INSERT	1		
27	506 37 68-03	GASKET CARBURETTOR	1		New Part

D K750



Page D
K750

Pos.	Part No.	Description	Quantity	Notes	New Part
1	505 42 45-01	VIB.INSULATOR	1	Incl. 2	New Part
2	505 42 44-01	SPRING RETAINER	1		New Part
3	544 06 12-01	SCREW	1		New Part
4	503 71 53-01	DECOMPRESSION VALVE	1		
5	503 21 53-25	SCREW	5		
6	503 21 53-16	SCREW	2		
7	506 36 88-01	BRACKET	1		
8	520 75 73-02	CYLINDER ASSY	1	Incl. 9 - 14	New Part
9	503 55 22-01	PLUG	1		
10	506 41 23-01	GASKET	1		
11	506 37 69-02	GASKET MUFFLER	1		
12	506 37 67-01	CYLINDER BASE GASKET	1		
13	506 37 24-01	PISTON ASSY	1	Incl. 15 - 16	
14	503 25 56-01	NEEDLE BEARING	1		
15	503 28 90-47	PISTON RING	2		
16	737 43 12-00	CIRCLIP	2		
17	506 37 58-02	COOLING PLATE	1		
18	506 36 42-03	MUFFLER	1		
19	503 21 53-41	SCREW	2		
20	503 21 53-56	SCREW	1		
21	503 23 04-02	WASHER	1		
22	503 22 65-04	NUT SQUARE	1		
23	506 38 53-05	GASKET KIT	1	Incl. 10 - 12, 25 - 29	New Part
24	505 25 96-01	MUFFLER MOUNTING KIT	1	Incl. 5, 10, 11, 19 - 22	New Part
25	506 37 70-02	GASKET CRANKCASE	1		
26	506 37 70-03	GASKET CRANKCASE	1		
27	544 21 93-02	INSERT	1		
28	503 26 02-04	SEALING RING	2		
29	506 37 68-03	GASKET CARBURETTOR	1		New Part

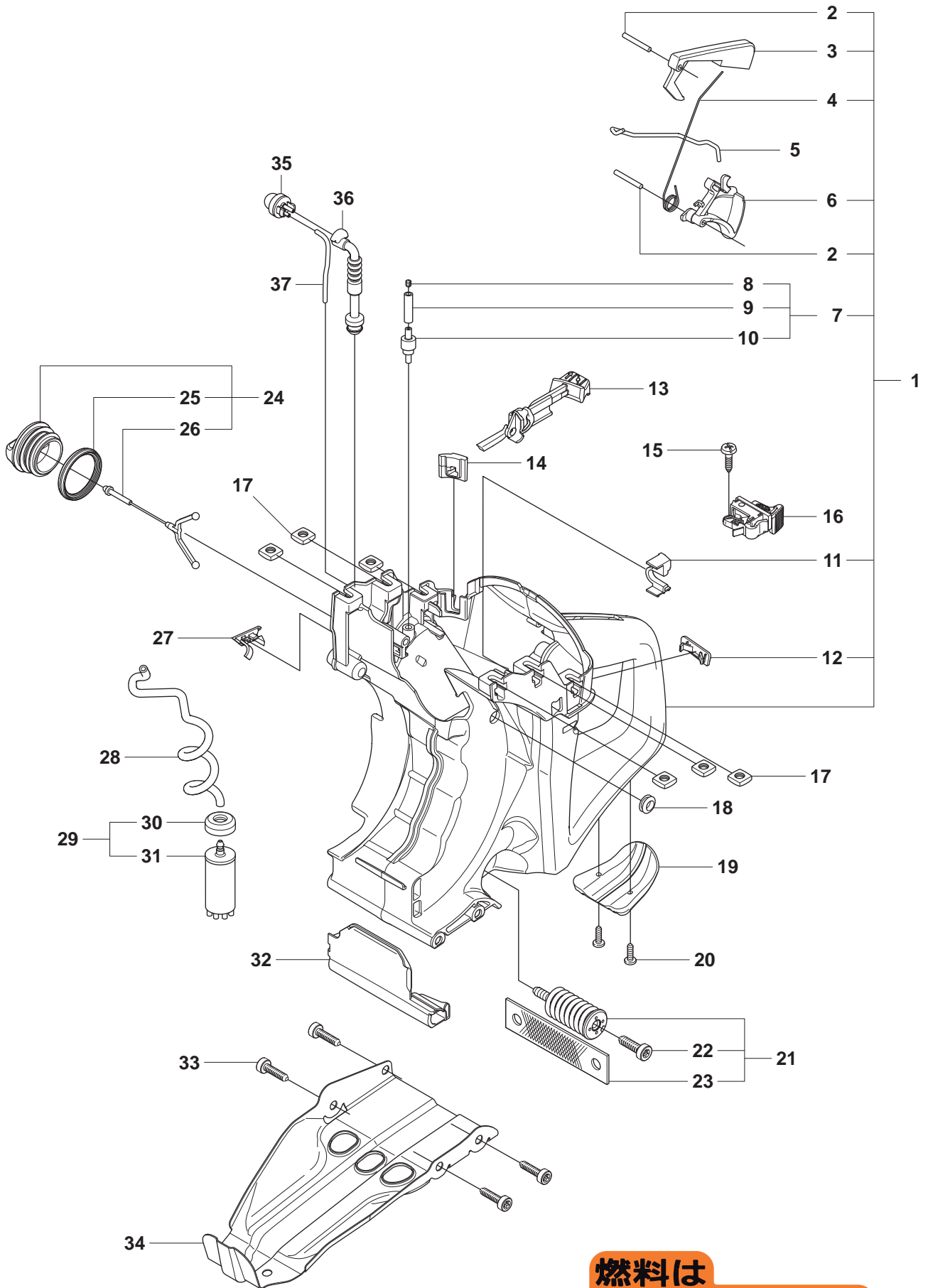


Page E
K750

Pos.	Part No.	Description	Quantity	Notes	New Part
1	502 29 50-02	CRANKSHAFT ASSY	1	Incl. 2 - 4	
2	738 22 02-25	BALL BEARING	2		
3	537 20 33-01	CUP	2		
4	503 25 56-01	NEEDLE BEARING	1		

F1

K750



燃料は

ガソリン

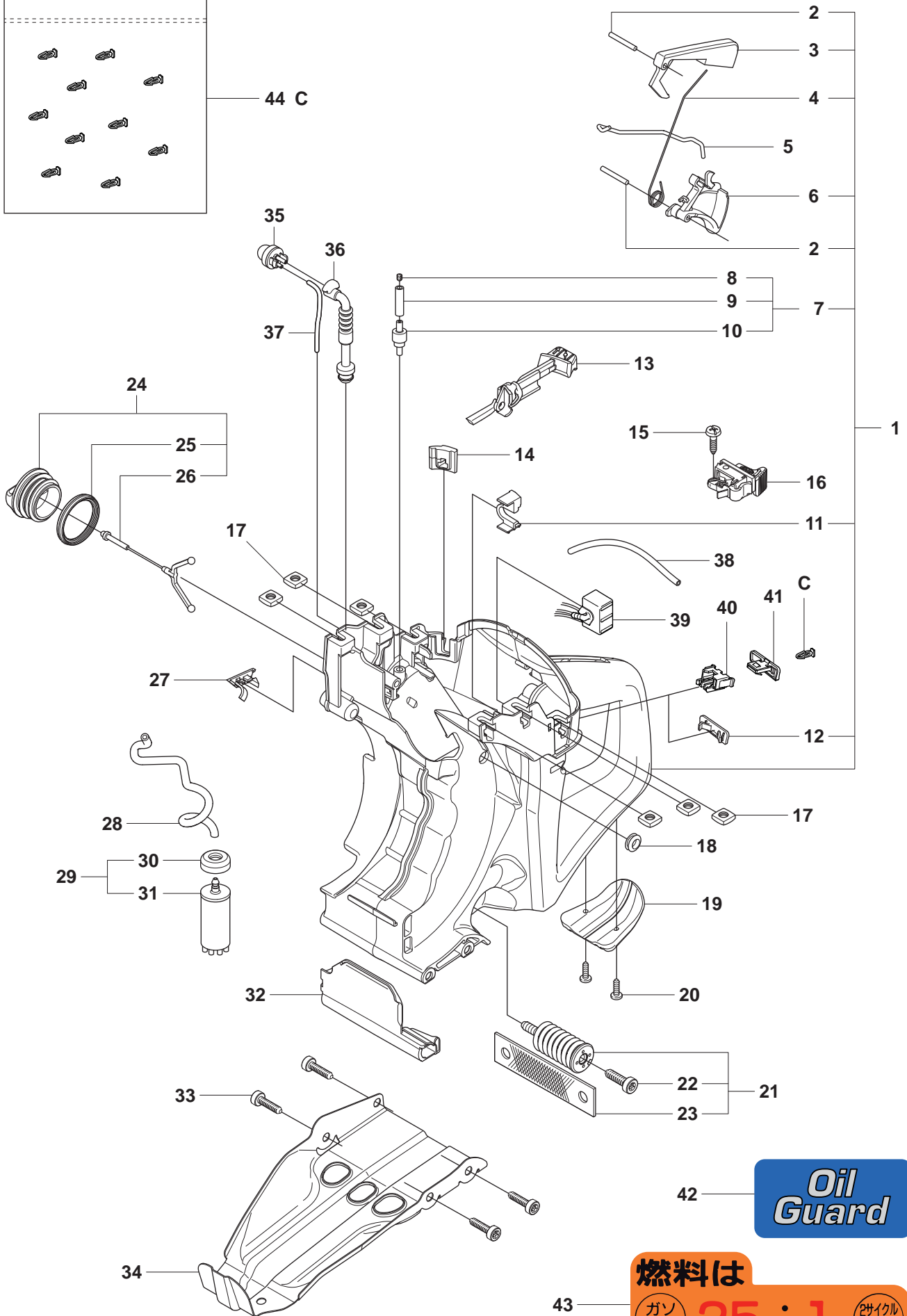
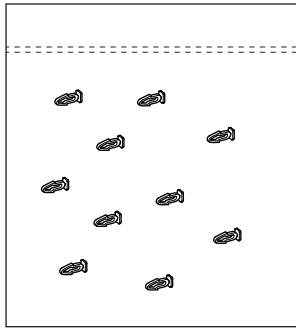
25 : 1

2サイクル専用オイル

Page F1
K750

Pos.	Part No.	Description	Quantity	Notes	New Part
1	506 38 65-08	FUEL TANK	1	Incl. 2 - 4, 6 - 7, 11 - 12 Japan only	New Part
1	506 38 65-12	FUEL TANK	1	Incl. 2 - 4, 6 - 7, 11 - 12	
2	720 12 40-20	PARALLEL PIN	2		
3	506 22 28-02	THROTTLE LOCKOUT	1		
4	506 37 95-01	SPRING	1		
5	506 37 13-01	THROTTLE ROD	1		
6	506 37 20-03	THROTTLE TRIGGER	1		
7	506 38 66-01	TANK VENT ASSY	1	Incl. 8 - 10	
8	504 35 72-01	SINTER PLUG	1		
9	544 32 49-29	FUEL HOSE	1		New Part
10	503 16 40-01	TANK VENT	1		
11	544 39 32-01	HOSE CLIP	1		
12	501 37 13-01	LID	1		
13	544 22 90-02	CHOKE CONTROL	1		New Part
14	506 37 80-01	GROMMET	1		
15	503 21 28-10	SCREW	1		New Part
16	506 31 86-02	STOP SWITCH	1		New Part
17	503 22 65-04	NUT	6		
18	501 27 13-02	CABLE GROMMET	1		
19	506 38 67-02	GROUND SUPPORT	1		
20	503 21 45-16	SCREW	2		
21	537 21 03-07	VIBRATION ABSORBER	1	Incl. 22 - 23	
22	544 06 12-01	SCREW	1		
23	544 23 82-01	BAND	1		New Part
24	506 25 59-03	TANK CAP ASSY	1	Incl. 25 - 26	
25	506 29 21-01	GASKET	1		
26	503 57 89-01	TANK CAP HOLDER	1		
27	506 39 46-02	CAP	1		New Part
28	544 32 50-03	FUEL HOSE	1		New Part
29	506 26 41-11	FUEL FILTER	1	Incl. 30 - 31	
30	506 27 11-01	HOSE CLAMP	1		
31	506 26 41-01	FUEL FILTER	1		
32	506 38 15-01	HEAT SHIELD	1		
33	503 21 54-20	SCREW	4		
34	506 37 19-02	BASE PLATE	1		
35	503 93 66-01	PRIMER HOUSING	1	Japan only	New Part
36	505 19 52-01	FUEL HOSE	1	Japan only	New Part
37	537 04 24-14	FUEL HOSE	1	Japan only	New Part
38	506 31 30-01	LABEL	1	Japan only	New Part

F2 K750 Oil Guard



燃料は

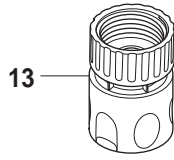
ガソリン

25 : 1

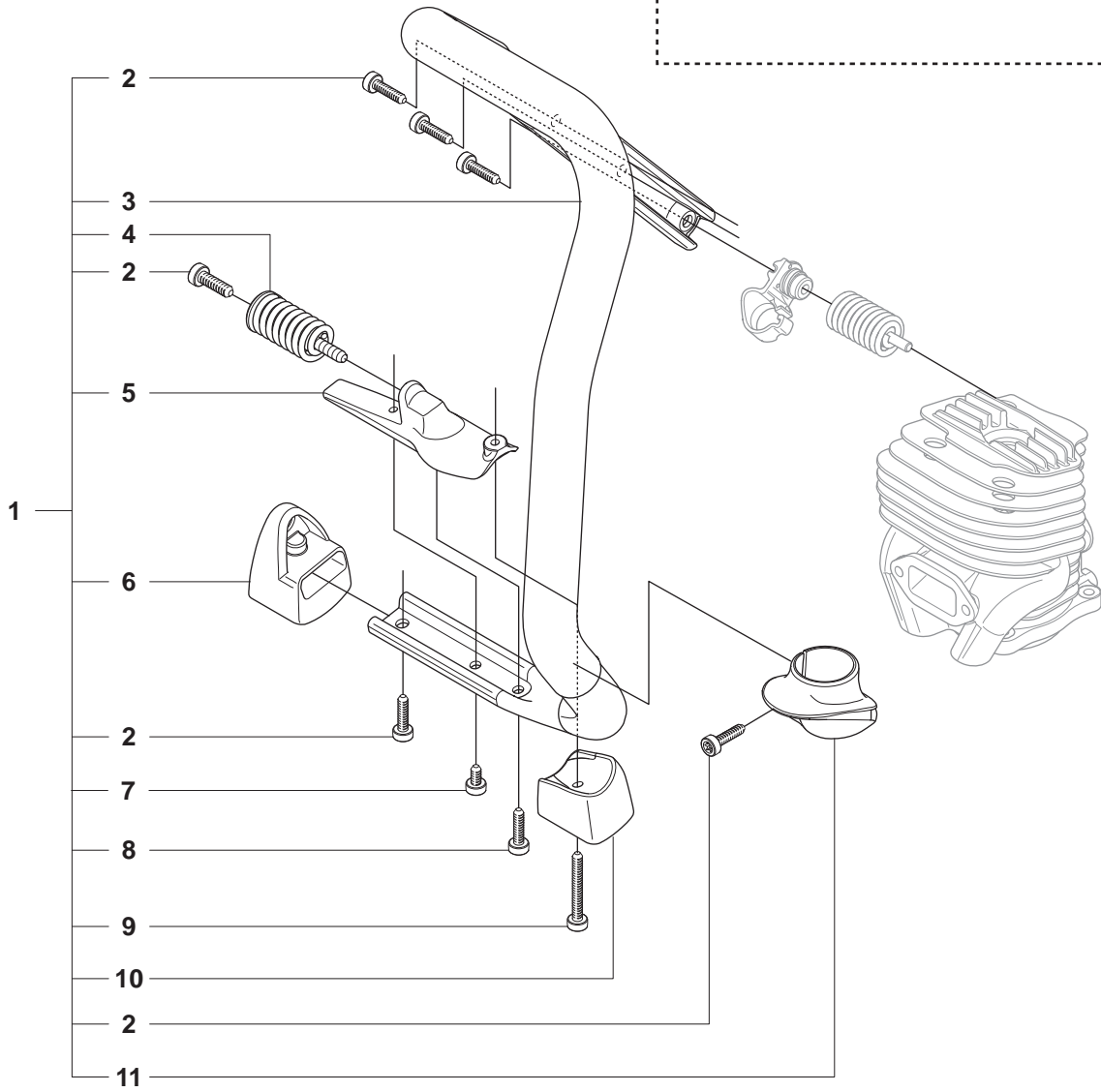
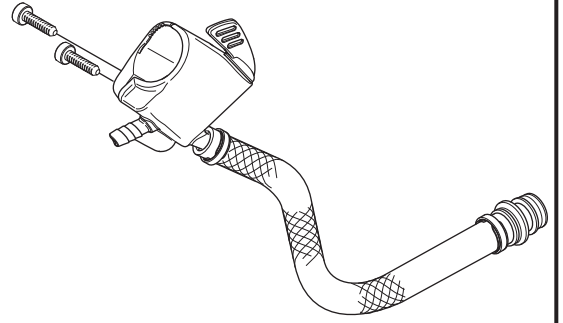
2サイクル専用オイル

Page F2**K750 Oil Guard**

Pos.	Part No.	Description	Quantity	Notes	New Part
1	506 38 65-08	FUEL TANK	1	Incl. 2 - 4, 6 - 7, 11 - 12 Japan only	New Part
1	506 38 65-12	FUEL TANK	1	Incl. 2 - 4, 6 - 7, 11 - 12	
2	720 12 40-20	PARALLEL PIN	2		
3	506 22 28-02	THROTTLE LOCKOUT	1		
4	506 37 95-01	SPRING	1		
5	506 37 13-01	THROTTLE ROD	1		
6	506 37 20-03	THROTTLE TRIGGER	1		
7	506 38 66-01	TANK VENT ASSY	1	Incl. 8 - 10	
8	504 35 72-01	SINTER PLUG	1		
9	544 32 49-29	FUEL HOSE	1		New Part
10	503 16 40-01	TANK VENT	1		
11	544 39 32-01	HOSE CLIP	1		
12	501 37 13-01	LID	1		
13	544 22 90-01	CHOKE CONTROL	1		New Part
14	506 37 80-01	GROMMET	1		
15	503 21 28-10	SCREW	1		New Part
16	506 31 86-02	STOP SWITCH	1		New Part
17	503 22 65-04	NUT	6		
18	501 27 13-02	CABLE GROMMET	1		
19	506 38 67-02	GROUND SUPPORT	1		
20	503 21 45-16	SCREW	2		
21	537 21 03-07	AV-ELEMENT	1	Incl. 22 - 23	
22	544 06 12-01	SCREW	1		
23	544 23 82-01	BAND	1		New Part
24	506 25 59-04	TANK CAP ASSY	1	Incl. 25 - 26	
25	506 29 21-01	GASKET	1		
26	503 57 89-01	TANK CAP HOLDER	1		
27	506 39 46-02	CAP	1		New Part
28	544 32 50-02	FUEL HOSE	1		New Part
29	506 26 41-11	FUEL FILTER	1	Incl. 30 - 31	
30	506 27 11-01	HOSE CLAMP	1		
31	506 26 41-01	FUEL FILTER	1		
32	506 38 15-01	HEAT SHIELD	1		
33	503 21 54-20	SCREW	4		
34	506 37 19-02	BASE PLATE	1		
35	503 93 66-01	PRIMER HOUSING	1	Japan only	New Part
36	505 19 52-01	FUEL HOSE	1	Japan only	New Part
37	537 04 24-14	FUEL HOSE	1	Japan only	New Part
38	544 32 49-37	FUEL HOSE	1	Oil Guard	
39	544 38 41-01	ELECTRONIC BOX	1	Oil Guard	
40	501 01 88-01	HOUSING	1	Oil Guard	
41	501 01 94-01	SWITCH	1	Oil Guard	
42	501 31 89-01	LABEL	1	Oil Guard	
43	506 31 30-01	LABEL	1	Japan only	New Part
44	502 23 33-01	CUP SPRING	1	Oil Guard, Incl. 10 pins	



12

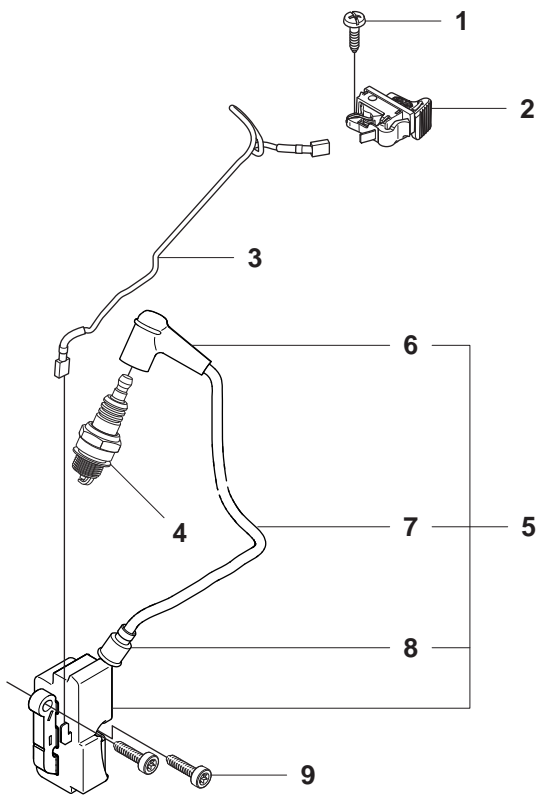
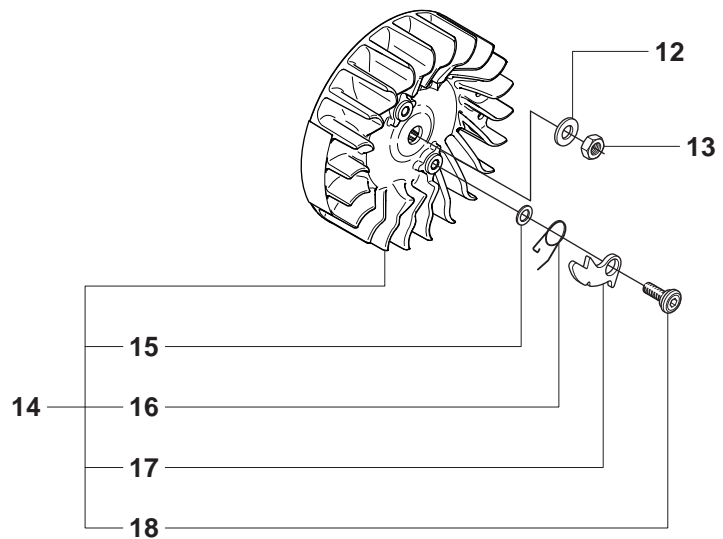
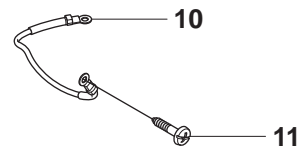
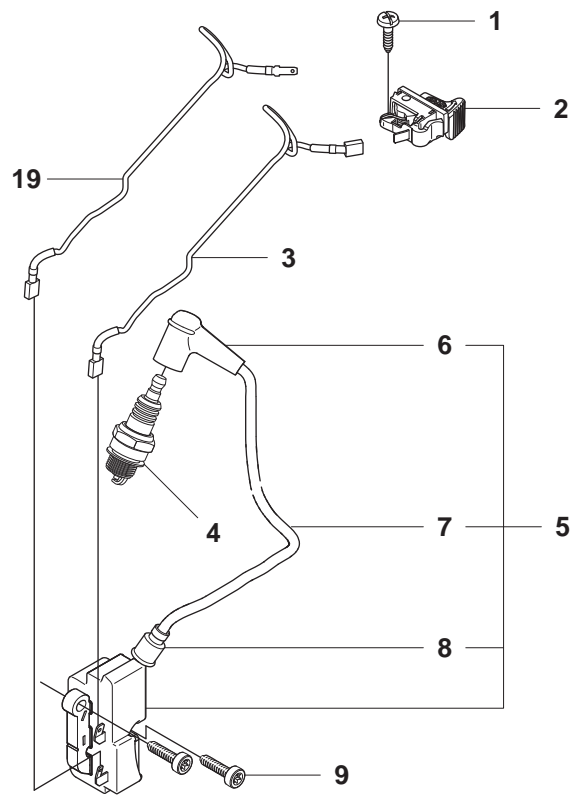


Page G
K750

Pos.	Part No.	Description	Quantity	Notes	New Part
1	506 38 58-02	HANDLE	1	Incl. 2 - 12	
2	544 06 12-01	SCREW	6		New Part
3	506 37 11-03	FRONT HANDLE	1		
4	537 21 03-06	AV-ELEMENT	1		New Part
5	506 37 72-02	SPRING RETAINER	1		
6	506 37 55-02	GROUND SUPPORT	1		
7	503 21 53-16	SCREW	1		
8	503 21 53-25	SCREW	1		New Part
9	503 21 53-40	SCREW	1		
10	506 37 56-02	GROUND SUPPORT	1		
11	506 38 71-02	STOP	1		
12	506 38 59-04	HOSE	1		
13	503 26 60-03	COUPLER	1	USA	
13	503 26 60-04	COUPLER	1		New Part

Page H
K750

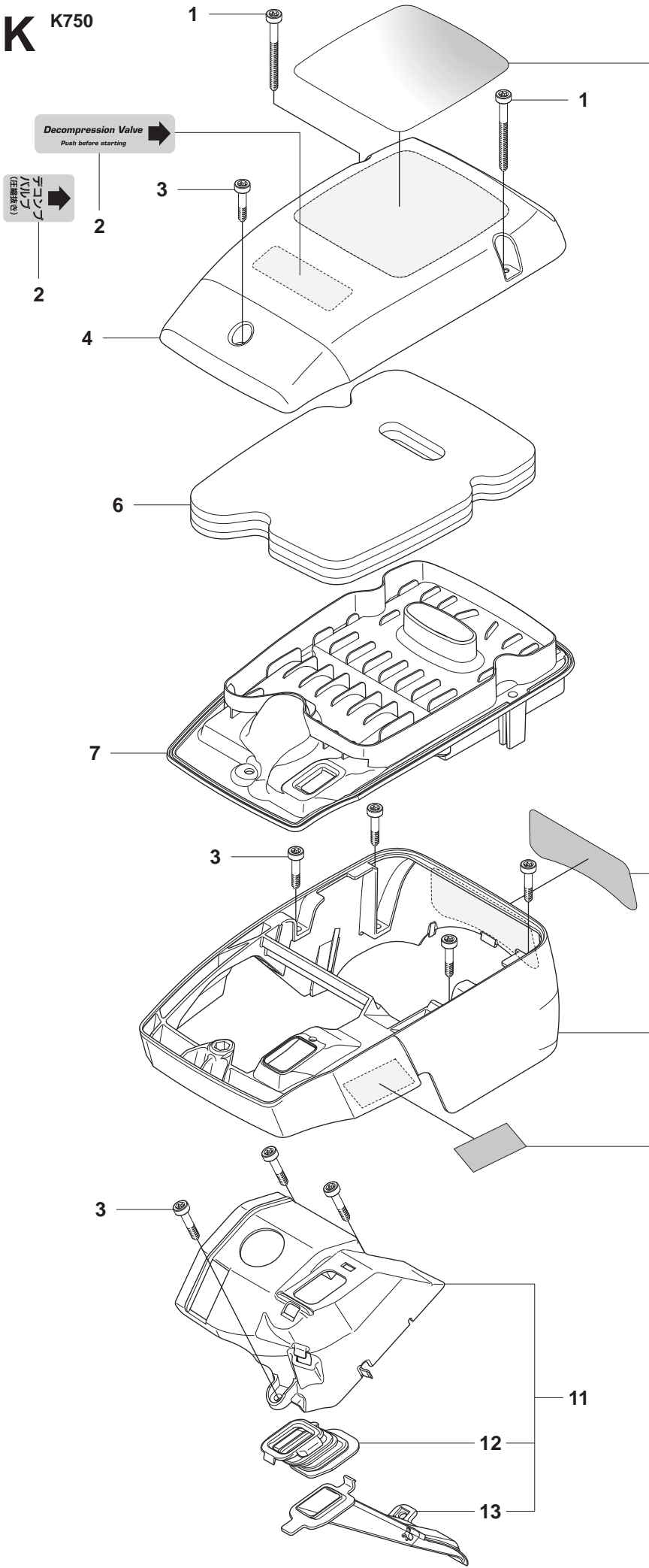
Pos.	Part No.	Description	Quantity	Notes	New Part
1	506 38 56-12	STARTER	1	Incl. 2 - 14	
2	503 21 07-22	SCREW	1		New Part
3	740 43 13-00	O-RING	1		
4	506 25 14-01	GROMMET	1		
5	506 26 31-01	SPACING SLEEVE	1		
6	506 25 30-01	COMPRESSION SPRING	1		
7	506 25 81-02	STARTER PULLEY	1		
8	503 21 28-10	SCREW	2		
9	506 25 89-01	RECOIL SPRING	1		
10	506 33 56-15	STARTER CORD	1		
10	506 33 56-50	STARTER CORD	1	50 m	
11	503 12 79-01	STARTER HANDLE	1		
12	506 36 92-03	STARTER COVER	1		
13	503 21 53-21	SCREW	4		
14	544 89 08-01	LABEL	1		
15	544 38 39-01	AIR CONDUCTOR	1		

J**K750****K750 Oil Guard**

Page J
K750

Pos.	Part No.	Description	Quantity	Notes	New Part
1	503 21 28-10	SCREW	1		New Part
2	506 31 86-02	STOP SWITCH	1		
3	506 37 84-02	CABLE	1		
3	544 97 93-01	CABLE	1	Oil Guard	
4	503 23 51-09	SPARK PLUG	1	RCJ 6 Y	
5	510 11 56-02	IGNITION MODULE	1	Incl. 6 - 8	New Part
6	501 48 54-02	SPARK PLUG CAP	1		
7	506 38 78-34	IGNITION CABLE	1		
8	505 27 75-16	ISOLERHATT	1		
9	503 21 53-20	SCREW	2		
10	506 37 85-01	CABLE	1		
11	503 21 28-10	SCREW	1		
12	503 23 01-01	WASHER STEEL	1		
13	503 22 10-11	NUT	1		
14	506 27 27-10	FLYWHEEL	1	Incl. 15 - 18	
15	503 23 00-42	WASHER STEEL	2		
16	501 63 48-01	SPRING	2		
17	501 67 32-03	PAWL	2		
18	501 81 99-01	SCREW	2		New Part
19	544 38 49-01	CABLE	1	Oil Guard	

K K750



Decompression Valve
Push before starting

（急減速時）
レバを押し
レバ

エンジンの始動方法

冷機エンジン	暖機エンジン
1) ショーターの補助ポンプ（エアフラスク）を使用し、エンジンオイルを注ぎます。（必要に応じてエンジンオイルを交換してください。）	1) ショーターの補助ポンプ（エアフラスク）を使用し、エンジンオイルを注ぎます。（必要に応じてエンジンオイルを交換してください。）
2) エンジンオイルのレベルを確認します。	2) エンジンオイルのレベルを確認します。
3) エンジンオイルのレベルを確認します。	3) エンジンオイルのレベルを確認します。
4) エンジンオイルのレベルを確認します。	4) エンジンオイルのレベルを確認します。
5) エンジンオイルのレベルを確認します。	5) エンジンオイルのレベルを確認します。

スズキのエンジンオイルは、**湿式**です。
オイルを注ぐ際は、必ず「**オイル**」と「**オイル**」のマークを確認してください。

WARNING
Cutters can be dangerous!

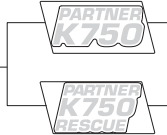
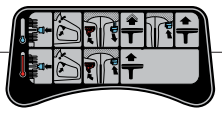
For safe operation follow all safety precautions in operators manual.

- Only persons who have been instructed in the use of this cutter and who are familiar with all safety precautions in the Operator's Manual shall operate this cutter. Improper use can cause serious injury.
- The only approved air directed cutting equipment approved for use with cutting on high speed cutters.
- The personal protective equipment as outlined in the Operator's Manual. Pay special attention to eye protection and hearing gear.

IMPORTANT safety instructions:
This product contains a high speed rotating blade. Always use caution when operating this product. Read and understand the Operator's Manual before using this product. Do not use this product if you are under the influence of alcohol or drugs. Do not use this product if you are tired or distracted. Do not use this product if you are wearing loose clothing or jewelry. Do not use this product if you are wearing contact lenses. Do not use this product if you are wearing a hat or sunglasses. Do not use this product if you are wearing a watch or bracelet. Do not use this product if you are wearing a ring or necklace. Do not use this product if you are wearing a belt or tool belt. Do not use this product if you are wearing a tool bag or pouch. Do not use this product if you are wearing a tool belt or pouch. Do not use this product if you are wearing a tool bag or pouch.

Husqvarna

IMPORTANT safety instructions:
This product contains a high speed rotating blade. Always use caution when operating this product. Read and understand the Operator's Manual before using this product. Do not use this product if you are under the influence of alcohol or drugs. Do not use this product if you are tired or distracted. Do not use this product if you are wearing loose clothing or jewelry. Do not use this product if you are wearing contact lenses. Do not use this product if you are wearing a hat or sunglasses. Do not use this product if you are wearing a watch or bracelet. Do not use this product if you are wearing a ring or necklace. Do not use this product if you are wearing a belt or tool belt. Do not use this product if you are wearing a tool bag or pouch. Do not use this product if you are wearing a tool belt or pouch. Do not use this product if you are wearing a tool bag or pouch.

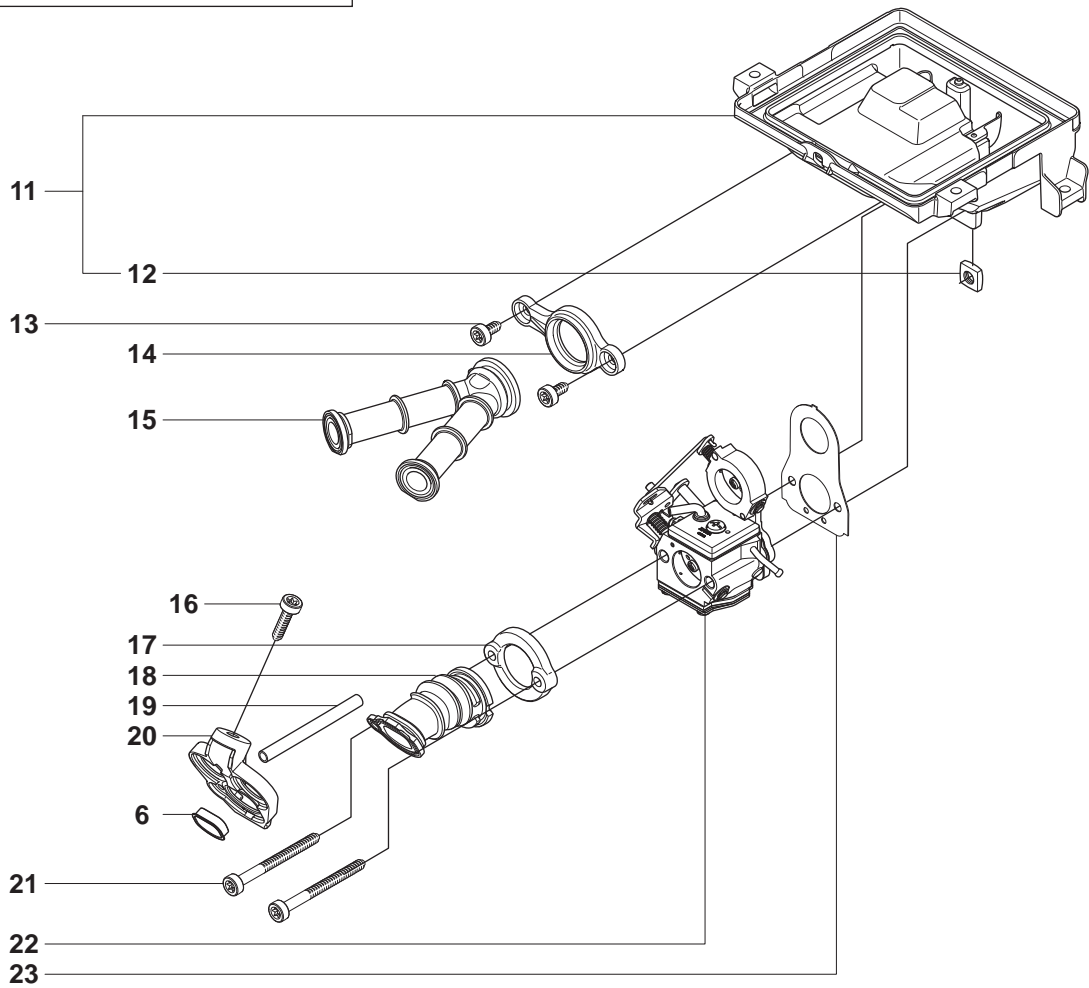
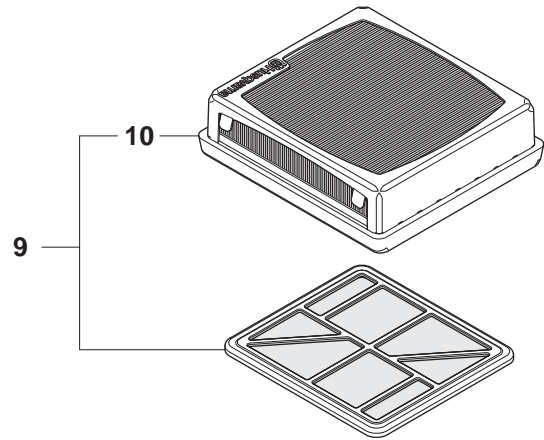
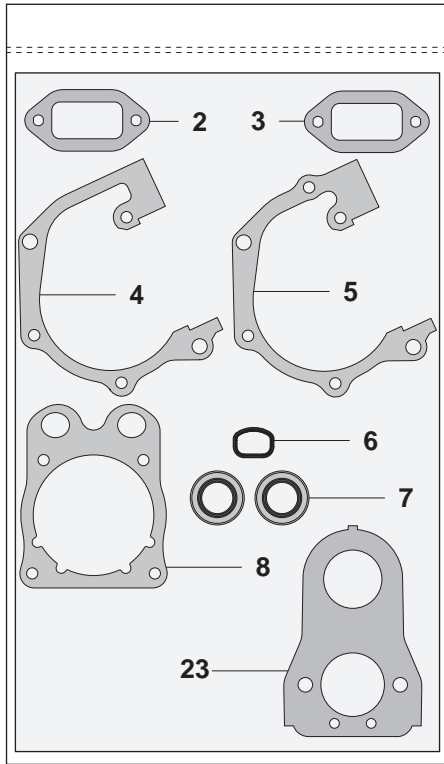


Page K
K750

Pos.	Part No.	Description	Quantity	Notes	New Part
1	503 21 53-56	SCREW	2		
2	544 87 46-02	LABEL	1		New Part
2	506 25 90-25	LABEL	1	Japan	New Part
3	503 21 53-21	SCREW	8		
4	506 36 68-02	FILTER COVER	1		
5	506 39 84-03	LABEL	1	Japan	New Part
5	505 03 89-01	LABEL	1	EPA USA	New Part
5	505 03 89-02	LABEL	1	EPA Canada	New Part
6	506 36 71-01	PREFILTER	1		
7	506 36 69-02	FILTER BOTTOM	1		
8	506 39 84-02	CYLINDER COVER ASSY	1	Incl. 9	
8	506 39 84-05	CYLINDER COVER ASSY	1	Incl. 9, Japan	New Part
9	544 89 09-01	LABEL	1		
10	544 89 10-03	LABEL	1		New Part
10	544 89 10-04	LABEL	1	Rescue	New Part
11	506 38 62-01	COVER	1	Incl. 12, 13	
12	506 37 04-01	BELLOWS	1		
13	506 37 03-01	AIR NOZZLE	1		

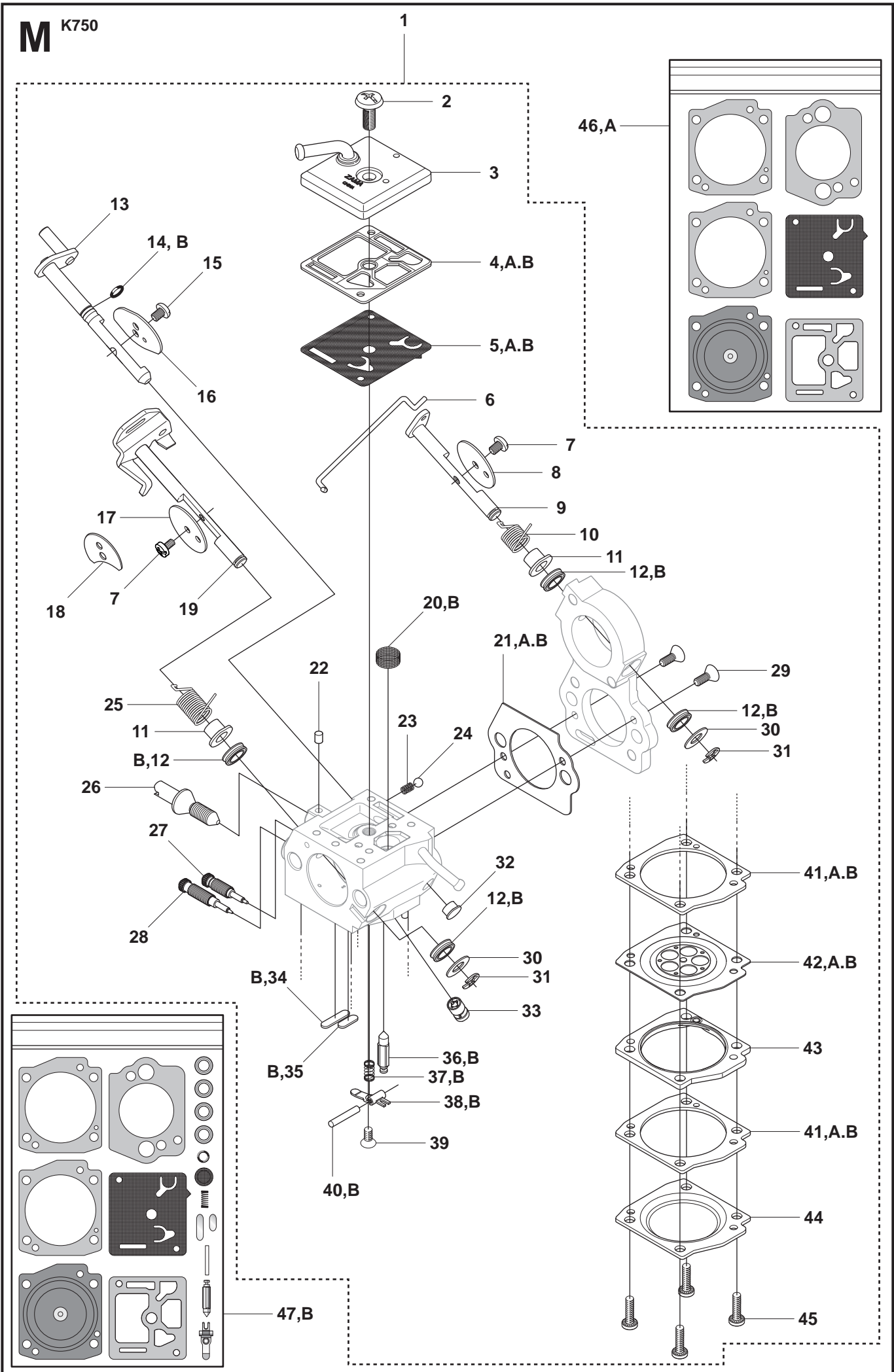


K750



Page L
K750

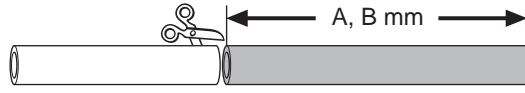
Pos.	Part No.	Description	Quantity	Notes	New Part
1	506 38 53-05	GASKET KIT	1	Incl. 2 - 8, 23	New Part
2	506 41 23-01	GASKET	1		
3	506 37 69-02	GASKET MUFFLER	1		
4	506 37 70-02	GASKET CRANKCASE	1		
5	506 37 70-03	GASKET CRANKCASE	1		
6	544 21 93-02	INSERT	1		
7	503 26 02-04	SEALING RING	2		
8	506 37 67-01	CYLINDER BASE GASKET	1		
9	544 18 16-02	FILTER	1	Incl. 10	
10	506 36 72-03	AIR FILTER PAPER	1		
11	506 39 32-02	CARBURETTOR BRACKET	1	Incl. 12	
12	503 22 65-04	NUT	4		
13	503 21 53-10	SCREW	2		
14	506 37 06-01	FLANGE INLET PIPE	1		
15	506 36 98-01	INLET PIPE	1		
16	503 21 53-20	SCREW	1		
17	506 37 05-01	FLANGE INLET PIPE	1		
18	506 36 97-01	INLET PIPE	1		
19	503 40 06-09	IMPULSE HOSE	1		
20	544 35 26-01	PLATE	1		New Part
21	503 21 53-56	SCREW	2		
22	503 28 32-09	CARBURETTOR	1	Zama C3-EL29	
22	510 18 12-01	CARBURETTOR	1	Japan only	New Part
23	506 37 68-03	GASKET CARBURETTOR	1		



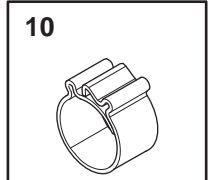
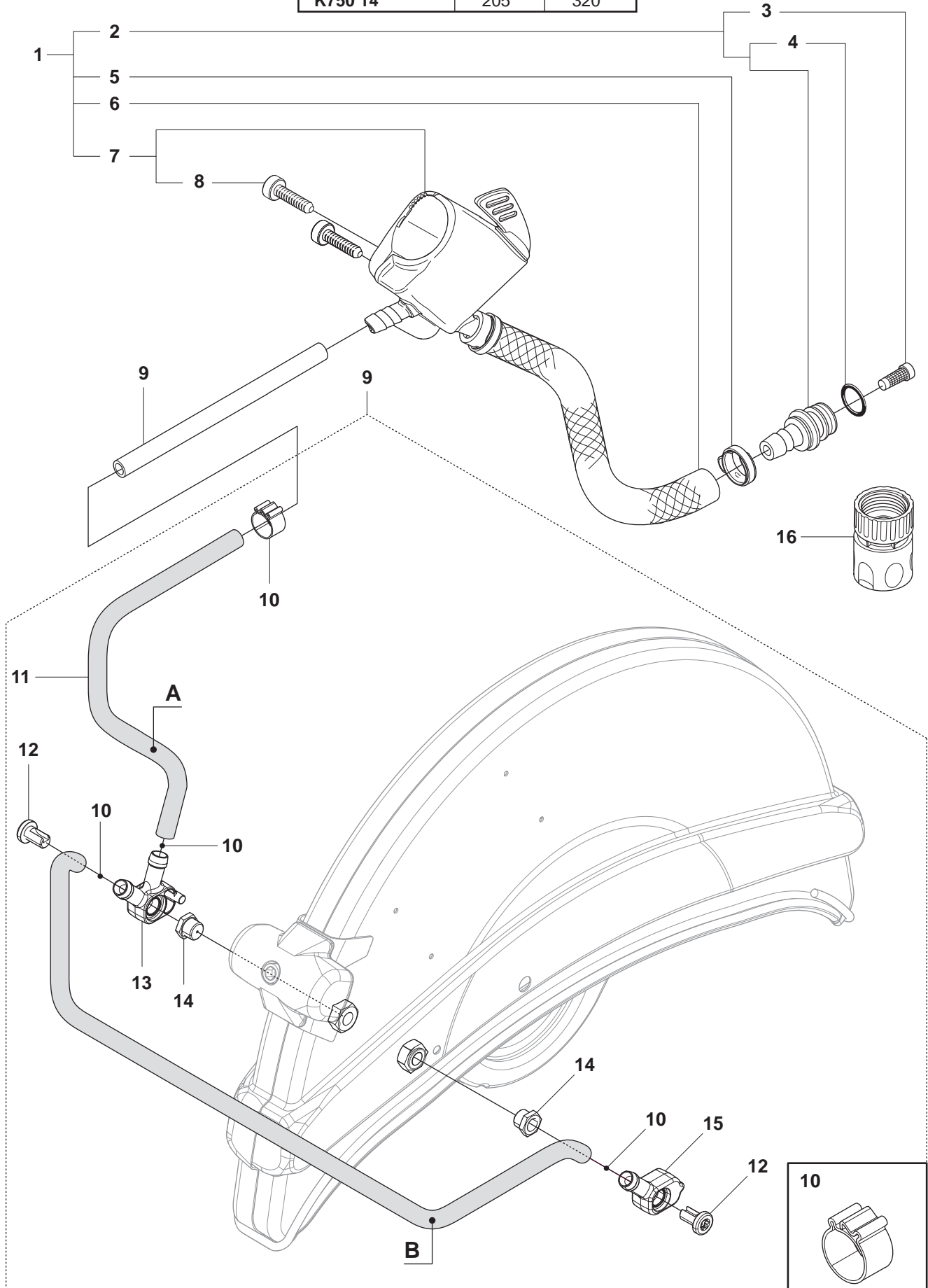
Page M
K750

Pos.	Part No.	Description	Quantity	Notes	New Part
1	503 28 32-09	CARBURETTOR	1	Zama C3-EL29, Incl. 2 - 43	
1	510 18 12-01	CARBURETTOR	1	Zama C3-EL43, Incl. 2 - 43	New Part
2	503 47 96-01	SCREW	1		
3	544 83 64-01	PUMP COVER	1		
4	503 61 66-01	GASKET PUMP	1		
5	506 39 60-01	DIAPHRAGM PUMP	1		
6	506 39 65-01	ROD	1		
7	544 08 22-01	SCREW	2		
9	506 39 71-01	SHAFT ASSY	1		
10	506 39 75-01	SPRING	1		
11	506 39 54-01	COLLAR	2		
12	506 39 64-01	QUAD RING	4		
13	506 39 73-01	SHAFT ASSY CHOKE	1		
14	506 39 90-01	O-RING	1		
15	503 48 18-01	SCREW	1		
16	506 39 78-01	VALVE	1		
17	537 17 70-01	VALVE	1		
18	522 60 75-01	VALVE	1	Japan only	New Part
19	506 39 74-01	SHAFT ASSY	1		
20	503 53 57-01	STRAINER	1		
21	506 39 58-01	GASKET	1		
22	503 48 11-01	PIECE	1		
23	537 01 26-01	SPRING	1		
24	537 01 25-01	BALL	1		
25	544 83 65-01	SPRING	1		
26	506 39 72-01	SCREW	1		
27	506 39 70-01	SCREW	1		
28	506 39 69-01	SCREW	1		
29	537 38 51-01	SCREW	2		
30	506 39 79-01	WASHER	2		
31	537 38 52-01	E-CLIP	2		
32	506 39 91-01	PLUG	1		
33	506 39 61-01	NOZZLE ASSY	1		
34	503 53 56-01	PLUG WELCH	1		
35	537 17 78-01	PLUG	1		
36	537 17 62-01	VALVE	1		
37	537 27 34-01	SPRING	1		
38	537 17 64-01	LEVER	1		
39	544 08 21-01	SCREW	1		
40	503 48 00-01	PIN RETAINING SCREW	1		
41	506 39 62-01	GASKET	2		
42	506 39 57-01	DIAPHRAGM ASSY	1		
43	506 39 55-01	COVER	1		
44	506 39 56-01	COVER	1		
45	506 39 66-01	SCREW	4		
46	506 40 99-01	GASKET KIT	1	Incl. 4, 5, 21, 41, 42	
47	506 41 00-01	GASKET KIT CARB	1	Incl. 4, 5, 12, 14, 20, 21, 34-38, 40-42	

N K750

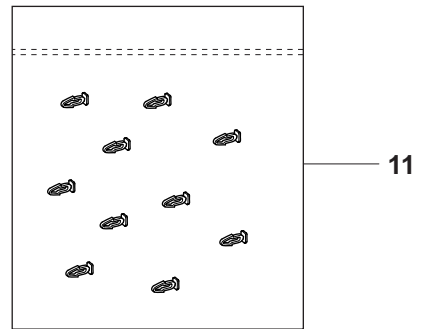
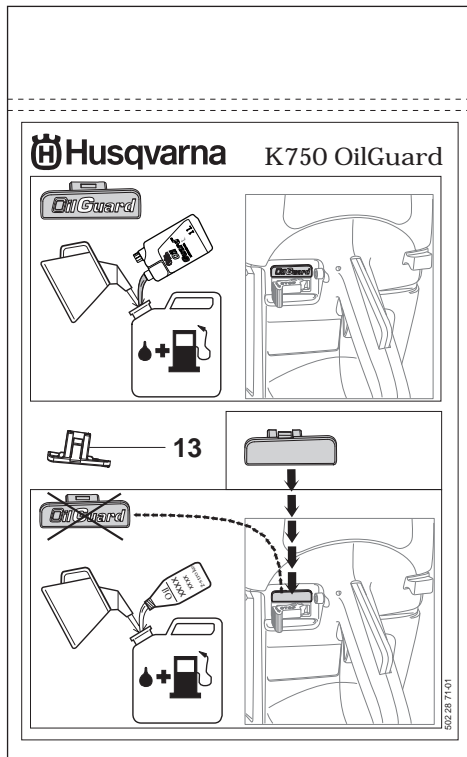
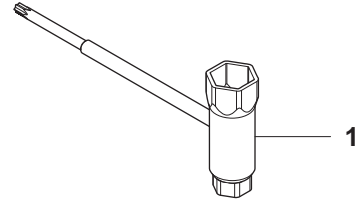
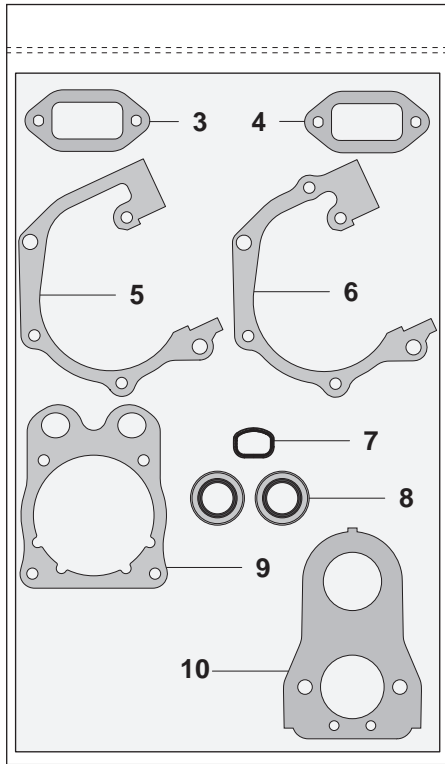


	A (mm)	B (mm)
K750 12"	165	320
K750 14"	205	320



Page N
K750

Pos.	Part No.	Description	Quantity	Notes	New Part
1	505 09 55-01	HOSE KIT	1	Incl. 2, 5 - 7	New Part
2	506 29 57-02	NIPPLE	1	Incl. 3, 4	
3	506 29 88-01	FILTER	1		
4	506 09 56-06	HOSE CLAMP	1		
5	506 49 87-02	HOSE CLAMP	1		New Part
6	506 60 75-01	HOSE	1		New Part
7	506 38 60-02	VALVE ASSY	1	Incl. 8	New Part
8	503 21 54-20	SCREW	1		
9	505 09 54-01	HOSE KIT	1	Incl. 10 - 15	New Part
10	506 49 87-01	HOSE CLAMP	4		New Part
11	506 60 68-66	HOSE	1	320 mm	New Part
12	504 63 46-01	SCREW	2		New Part
13	504 63 44-01	HOUSING	1		New Part
14	504 63 42-01	NIPPLE	2		New Part
15	504 63 45-01	HOUSING	1		New Part
16	503 26 60-03	COUPLER	1	USA	New Part
16	503 26 60-04	COUPLER	1		New Part

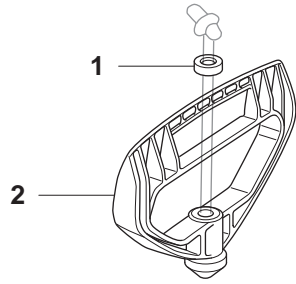


Page P
K750

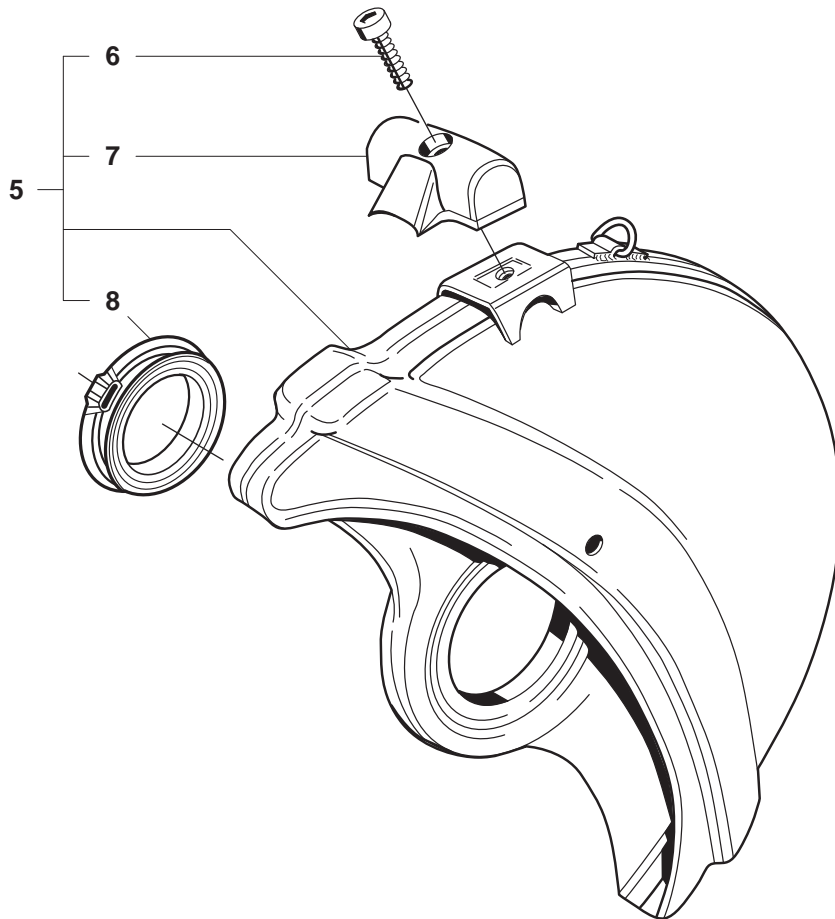
Pos.	Part No.	Description	Quantity	Notes	New Part
1	506 38 26-01	COMBINATION TOOL	1		
2	506 38 53-05	GASKET KIT	1	Incl. 3 - 10	New Part
3	506 41 23-01	GASKET	1		
4	506 37 69-02	GASKET MUFFLER	1		
5	506 37 70-02	GASKET CRANKCASE	1		
6	506 37 70-03	GASKET CRANKCASE	1		
7	544 21 93-02	INSERT	1		
8	503 26 02-04	SEALING RING	2		
9	506 37 67-01	CYLINDER BASE GASKET	1		
10	506 37 68-03	GASKET CARBURETTOR	1		
11	502 23 33-01	KIT BREAK PIN	1	Incl. 10 Pins	
12	502 28 70-01	KIT SWITCH OFF	1		
13	501 01 95-01	SWITCH	1		

Q K750

K12 FD FIRE-RESCUE

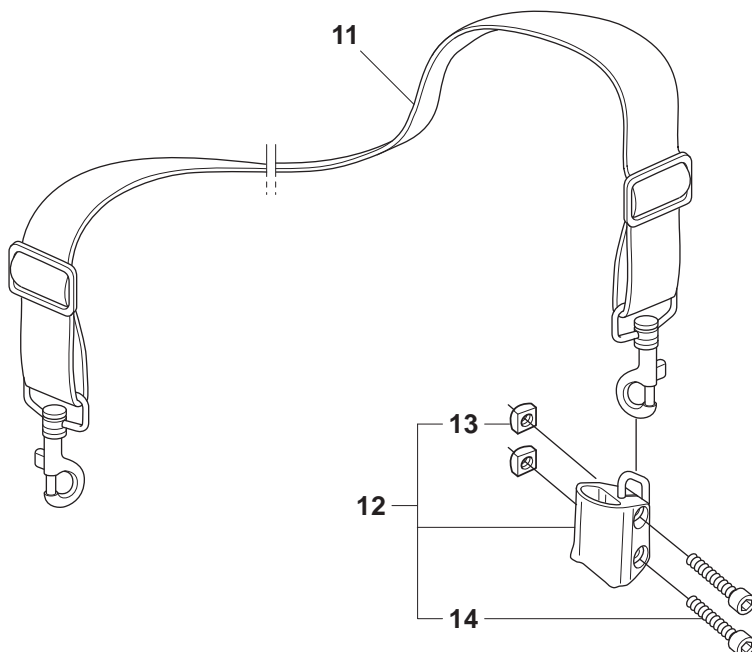


Rescue



9 — **Husqvarna Rescue**
max 5400 rpm
Ø25.4 (Ø1"), Ø350 (Ø14")

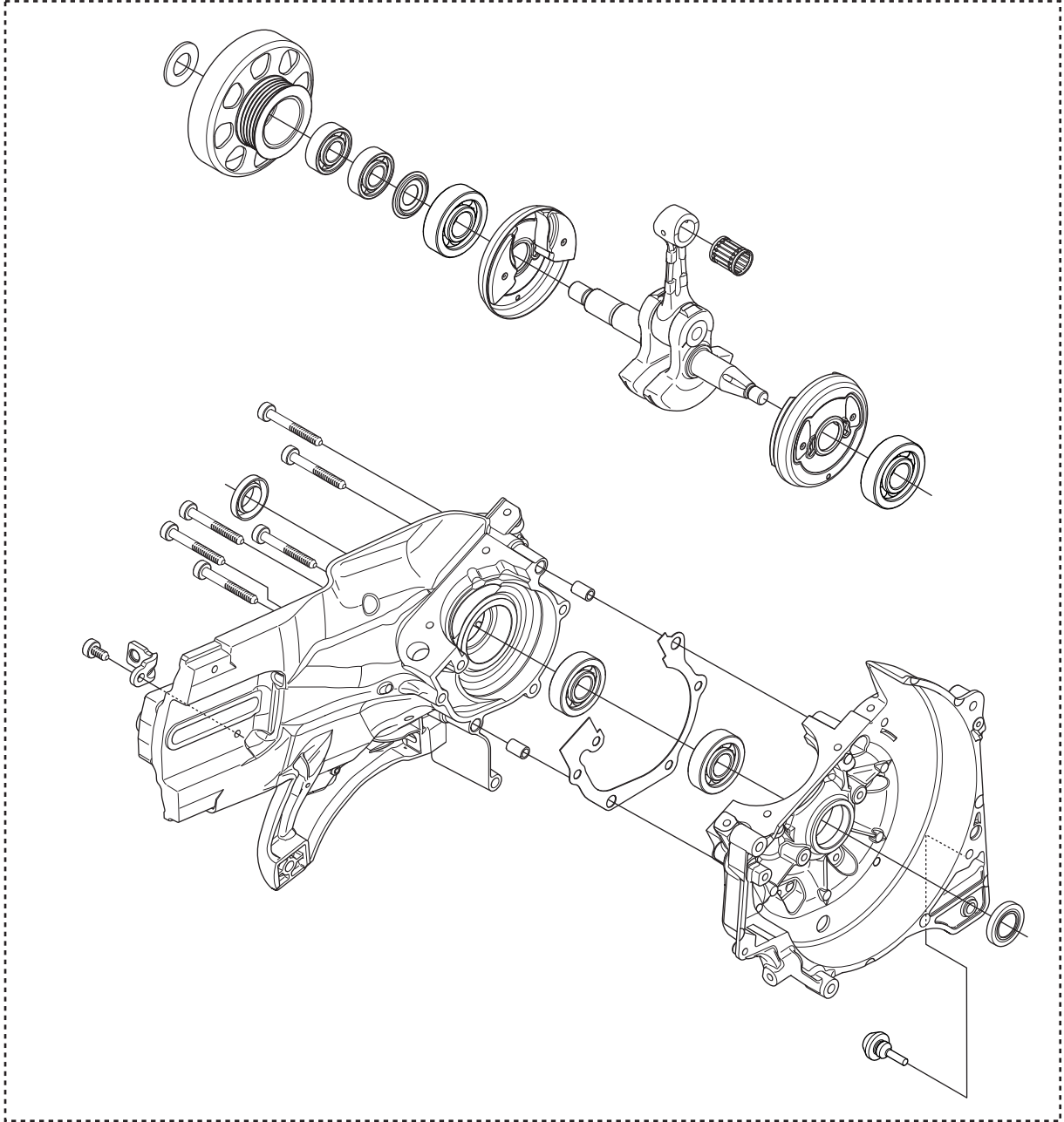
10 — **ATTENTION**
This product has been modified for use by
trained fire rescue personnel only.



Page Q
K750

Pos.	Part No.	Description	Quantity	Notes	New Part
1	503 14 29-02	WASHER	1		
2	506 29 75-02	STARTER HANDLE	1		
3	506 32 20-02	LABEL	1		
4	506 30 23-02	LABEL	1		
5	506 34 05-52	WHEEL GUARD ASSY	1	Rescue 12". Incl. 6 - 8	New Part
6	725 53 31-55	SCREW	1		
7	506 34 46-02	HANDLE	1		
8	506 26 63-02	LINING	2		
9	544 89 06-02	LABEL	1		
10	506 32 22-02	LABEL	1		
11	506 29 76-01	SHOULDER STRAP	1		
12	506 30 25-04	BRACKET	1	Incl. 13, 14	
13	503 22 65-04	NUT	2		
14	503 21 53-16	SCREW	2		

1



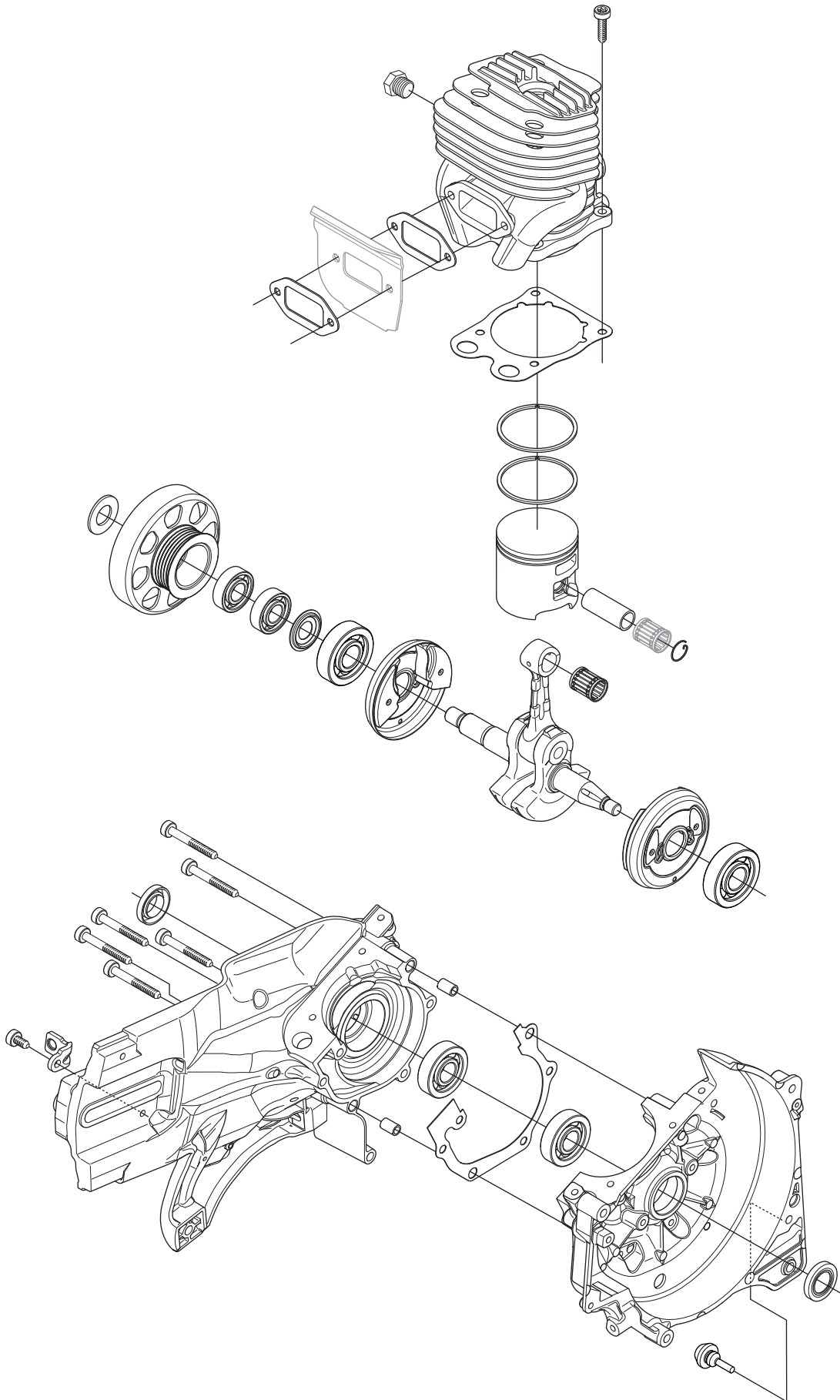
Page R
K750

Pos.	Part No.	Description	Quantity	Notes	New Part
1	544 88 90-07	CRANKCASE ASSY	1		

S

K750

1



Page S
K750

Pos.	Part No.	Description	Quantity	Notes	New Part
1	544 88 90-08	CRANKCASE ASSY	1		