

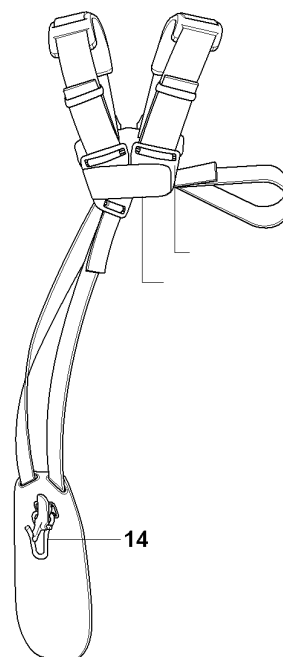
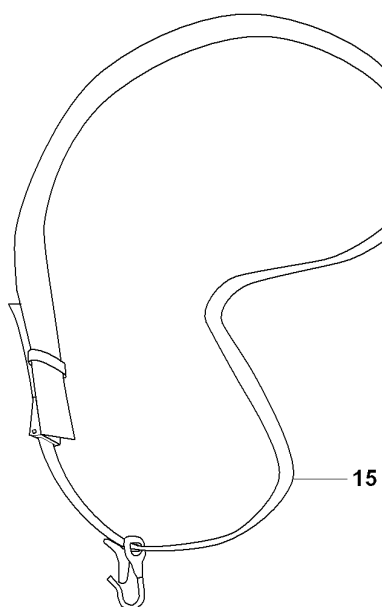
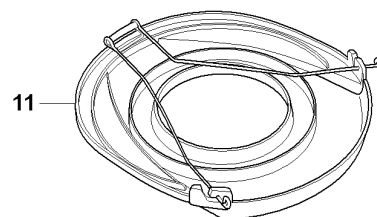
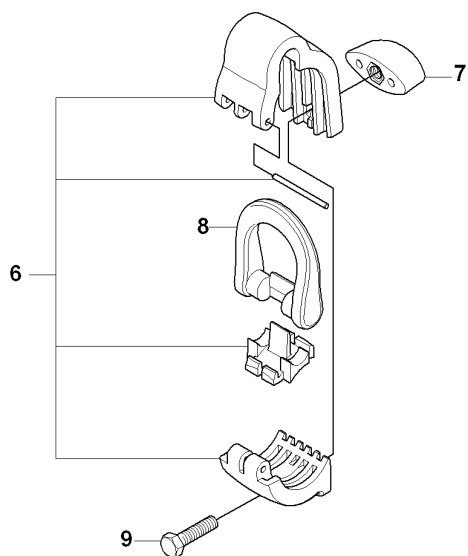
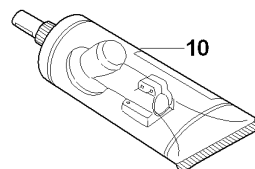
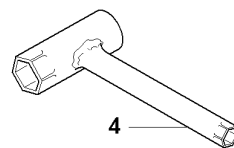
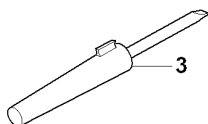
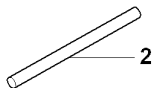
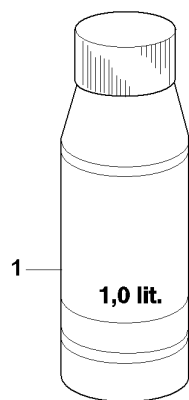


SPARE PARTS LIST

BRUSHCUTTERS/CLEARING SAWS

323 RJ, 2008-03

T 323C, L, LD, R, RJ, 325CX, Lx, LDx, Rx, RJx
ACCESSORIES

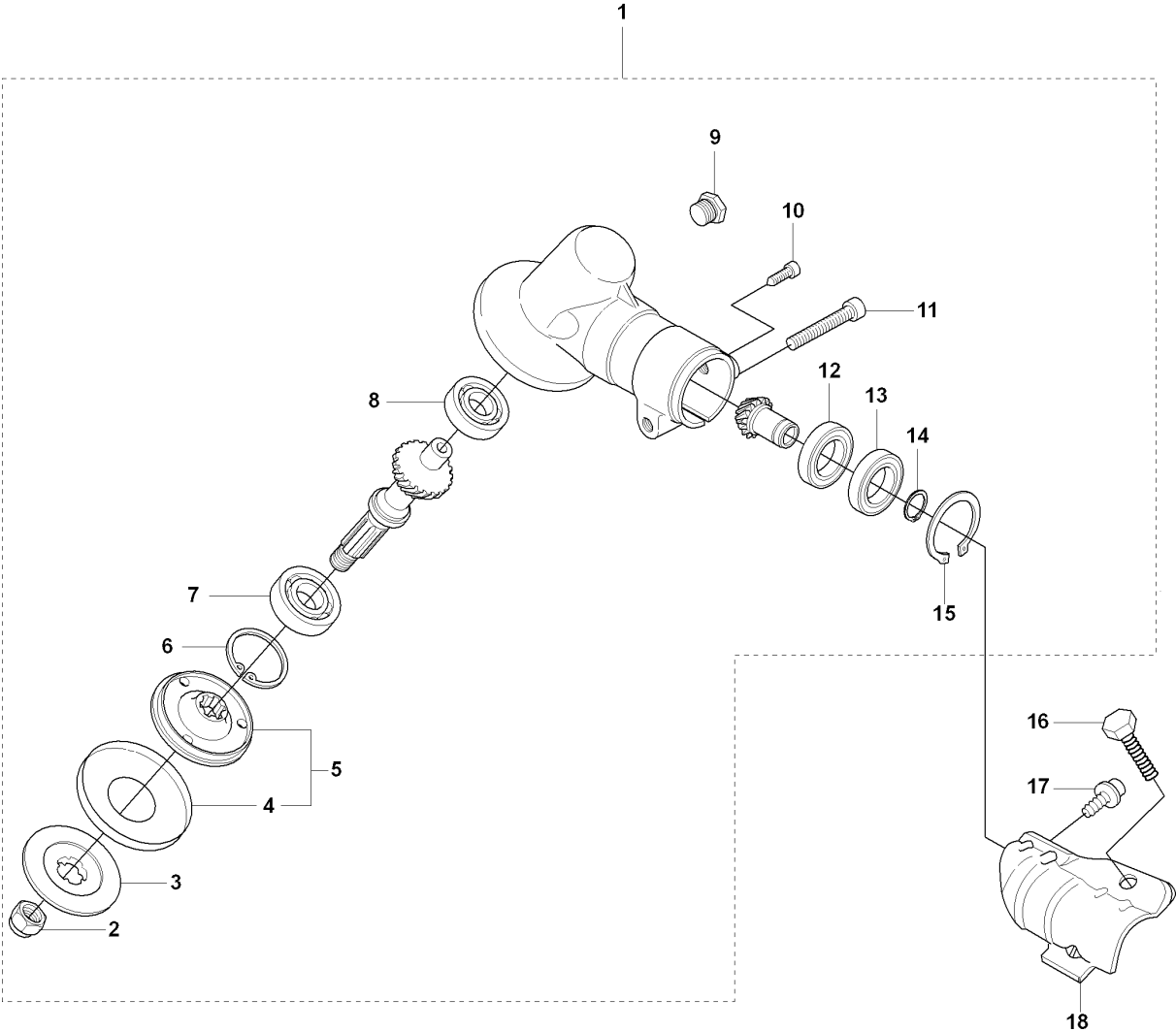


ACCESSORIES

323 RJ, 2008-03

Ref	Part No	Description	Remark	QTY KIT
1	531 00 92-48	FILTER OIL		1
2	502 28 59-01	STOP		1
3	501 60 02-03	SCREWDRIVER		1
4	502 11 46-02	SOCKET WRENCH		1
5	502 21 58-01	L-NYCKEL		1
6	537 35 36-01	LOOP		1
7	537 13 04-02	KNOB		
8	537 35 01-01	LOOP		6
9	725 23 31-51	SCREW		1
10	503 97 64-01	GREASE		1
11	537 31 29-01	TRANSPORT GUARD		1
12	503 73 40-01	FRONT PIECE		
13	503 73 41-02	FRONT PIECE		
14	502 02 28-02	WELT HOOK		1
15	537 21 62-01	HARNESS		1
15	537 21 62-02	HARNESS		

A 323C, L, LD, R, RJ, 325CX, Lx, LDx, Rx, RJx
BEVEL GEAR



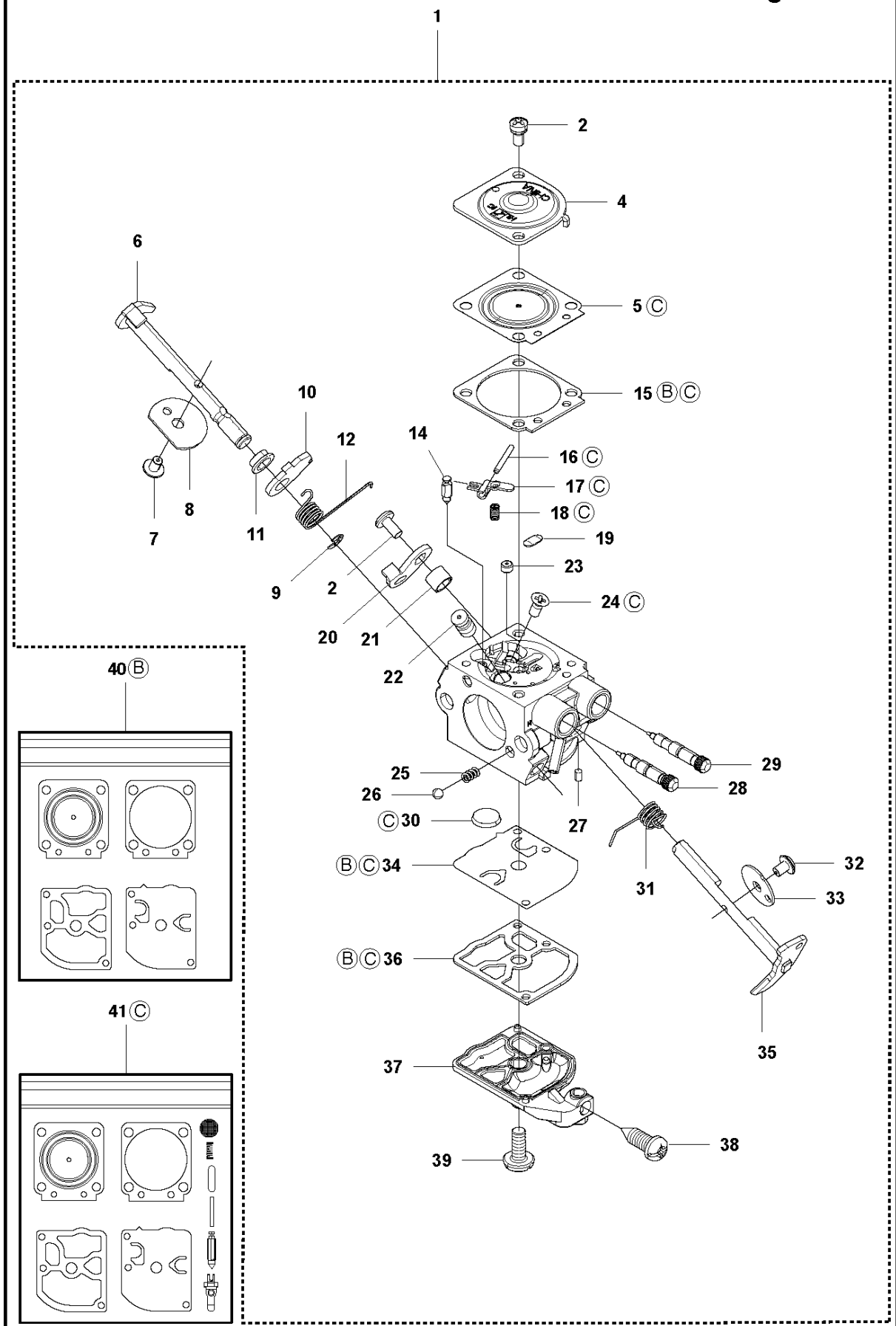
BEVEL GEAR

323 RJ, 2008-03

Ref	Part No	Description	Remark	QTY	KIT
1	537 19 92-02	BEVEL GEAR ASSY		1	
2	503 85 63-01	NUT		1	1
3	537 28 56-01	SUPPORT FLANGE		1	1
4	537 29 26-01	CUP		1	1
5	537 23 49-01	DRIVER ASSY		1	1
6	735 31 28-10	CIRCLIP		1	1
7	503 25 24-01	BALL BEARING		1	1
8	738 21 98-00	BALL BEARING		1	1
9	503 20 15-01	SCREW IHHM		1	1
10	503 20 14-12	SCREW IHSCFMO		1	1
11	503 20 07-25	SCREW IHSCFM		1	1
12	738 21 99-00	BALL BEARING		1	1
13	738 21 99-02	BALL BEARING		1	1
14	735 31 11-00	CIRCLIP		1	1
15	735 31 25-10	CIRCLIP		1	1
16	725 23 70-51	SCREW		1	
17	503 20 07-12	SCREW IHSCFM		1	
18	503 93 55-01	CLAMP.GUARD		1	

CARBURETOR (only option for US)

Hualong HQ-2

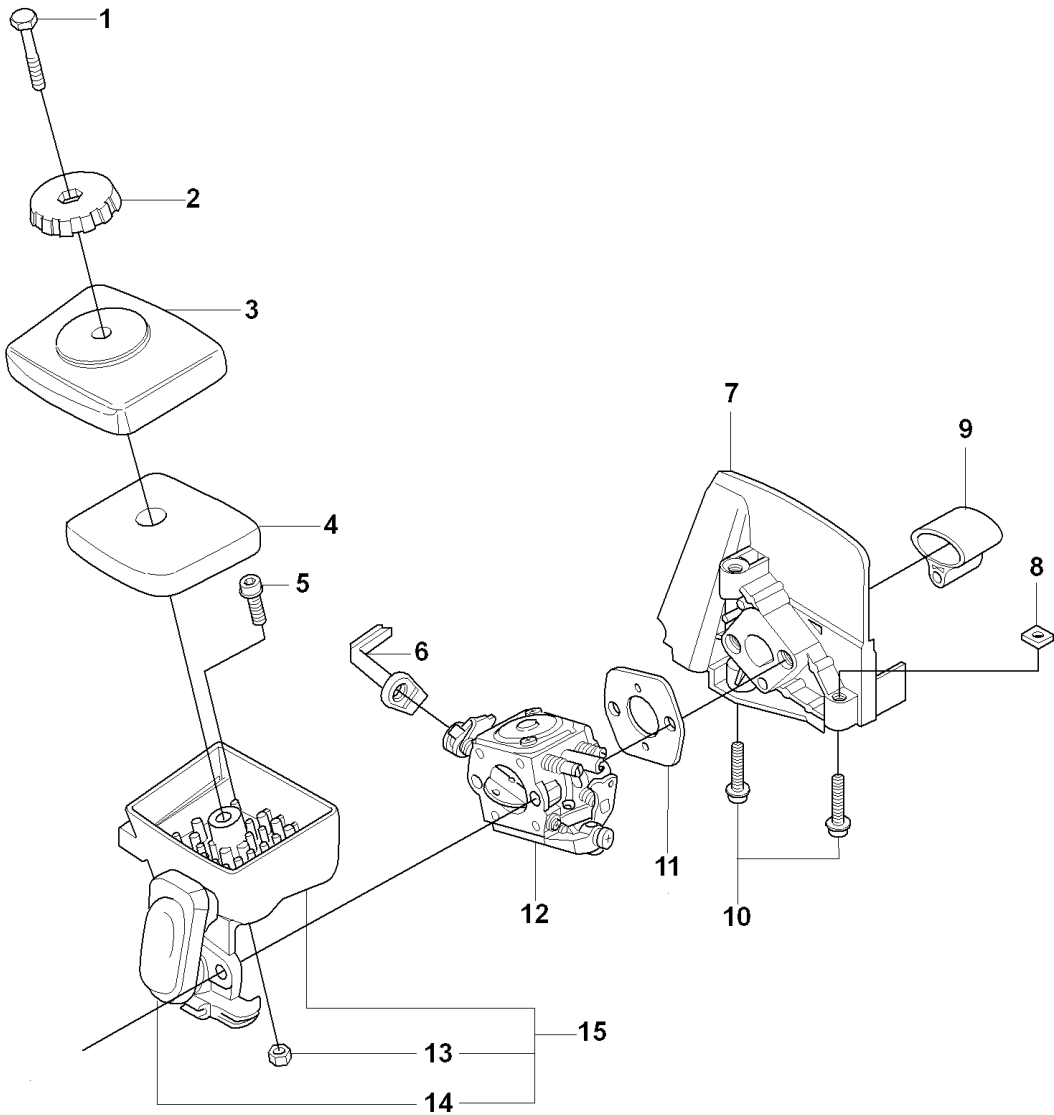


CARBURETOR

323 RJ, 2008-03

Ref	Part No	Description	Remark	QTY	KIT
1	576 01 98-01	CARBURETTOR	Hualong HQ-2, only option for US	1	
2	576 02 42-01	SCREW		2	1
4	576 02 36-01	COVER		1	1
5	576 02 24-01	DIAPHRAGM ASSY		1	1
6	576 02 30-01	SHAFT ASSY		1	1
7	576 02 41-01	SCREW		1	1
8	576 02 32-01	CHOKE		1	1
9	576 02 48-01	E-CLIP		1	1
10	576 02 31-01	LEVER		1	1
11	576 02 35-01	BUSHING		1	1
12	576 02 33-01	SPRING		1	1
14	576 02 01-01	VALVE		1	1
15	576 02 37-01	GASKET		1	1
16	576 02 03-01	PIN		1	1
17	576 02 04-01	LEVER		1	1
18	576 02 05-01	SPRING		1	1
19	576 02 06-01	PLUG		1	1
20	576 02 28-01	LEVER		1	1
21	576 02 29-01	BUSHING		1	1
22	576 02 07-01	MAIN NOZZLE		1	1
23	576 02 08-01	CHECK VALVE		1	1
24	576 02 43-01	SCREW		1	1
25	576 02 34-01	SPRING		1	1
26	576 02 47-01	BALL		1	1
27	576 02 23-01	BAR		1	1
28	576 02 10-01	NEEDLE		1	1
29	576 02 11-01	NEEDLE		1	1
30	576 02 15-01	SCREEN		1	1
31	576 02 27-01	SPRING		1	1
32	576 02 40-01	SCREW		1	1
33	576 02 26-01	THROTTLE		1	1
34	576 02 39-01	DIAPHRAGM PUMP		1	1
35	576 02 25-01	SHAFT ASSY		1	1
36	576 02 38-01	GASKET		1	1
37	576 02 20-01	COVER		1	1
38	576 02 22-01	SCREW		1	1
39	576 02 44-01	SCREW		1	1
40	581 74 35-01	GASKET KIT		1	1
41	581 74 37-01	REPAIR KIT		1	1

J 323C, L, LD, R, RJ, 325CX, Lx, LDx, Rx, RJx
CARBURETOR & AIRFILTER

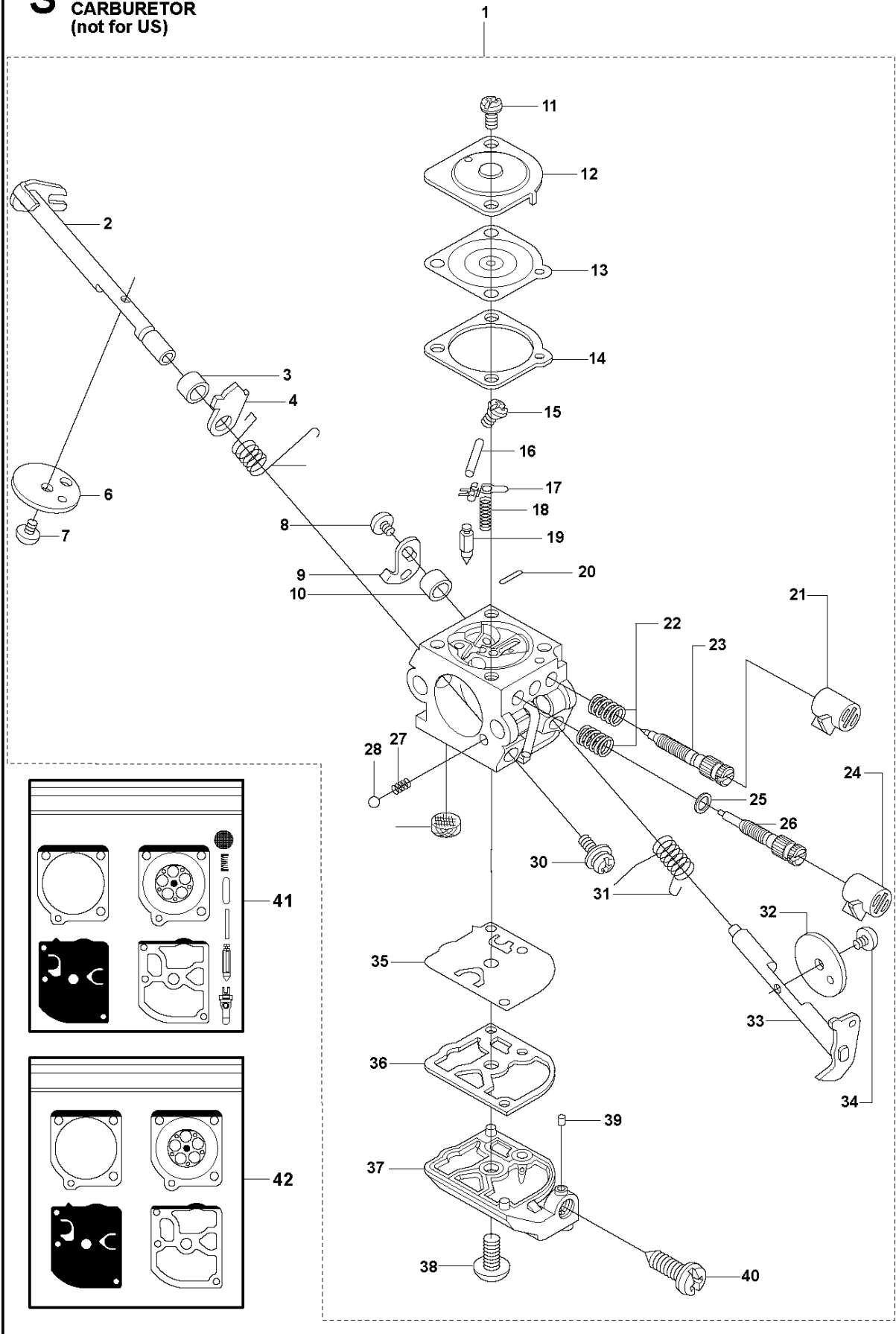


CARBURETOR & AIR FILTER

323 RJ, 2008-03

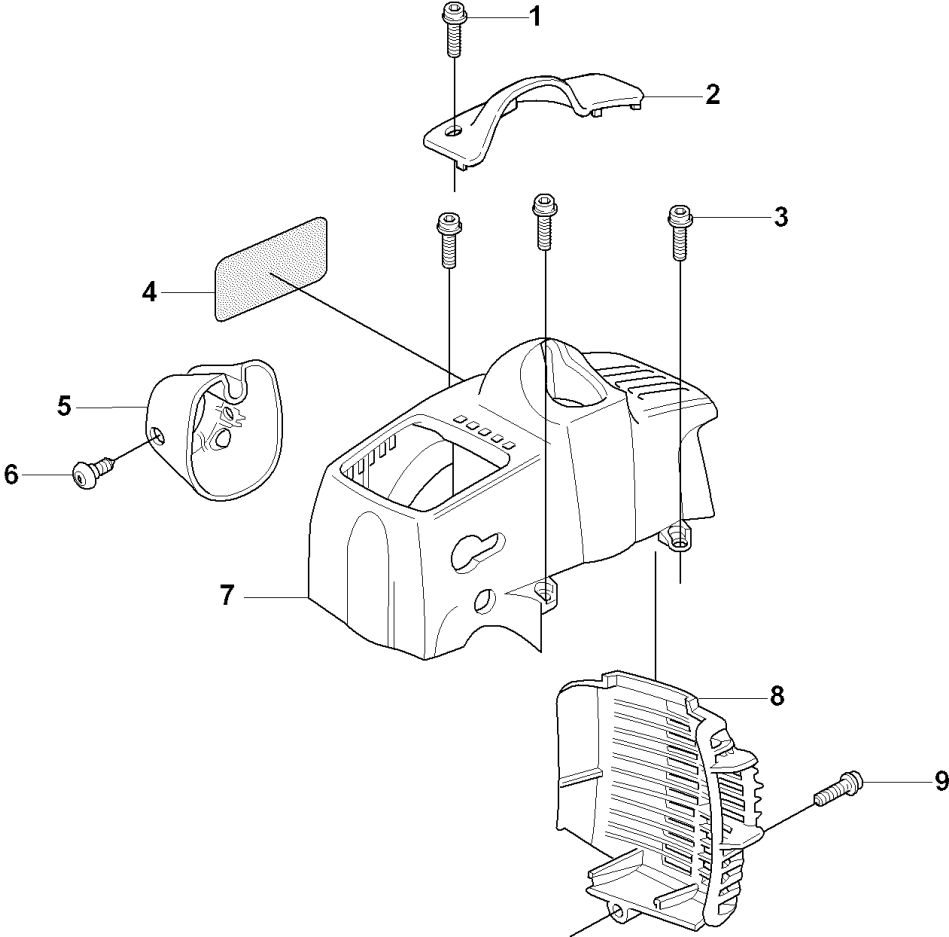
Ref	Part No	Description	Remark	QTY	KIT
1	502 20 65-03	SCREW EHHM		1	
2	502 20 40-01	KNOB		1	
3	503 88 80-02	FILTER COVER		1	
4	537 18 63-01	AIR FILTER		1	
5	503 21 75-16	SCREW IHSCFT		1	
6	503 96 25-01	CHOKE CONTROL		1	
7	503 91 09-01	INSULATION WALL		1	
8	503 22 65-04	SQUARE NUT		2	
9	503 94 26-01	INLET PIPE		1	
10	503 20 03-25	SCREW IHSCFM		2	
11	503 49 71-01	GASKET		1	
12	503 28 34-01	CARBURETTOR	Zama C1Q-EL24, NOT FOR US	1	
12	576 01 98-01	CARBURETTOR	Hualong HQ-2, only option for US	1	
13	731 23 14-01	HEXAGON NUT		1	15
14	503 88 79-01	HUB CAP		1	15
15	503 89 03-01	FILTERBLOCK ASSY		1	

S 323C, L, LD, R, RJ, 325CX, Lx, LDx, Rx, RJx
CARBURETOR
(not for US)



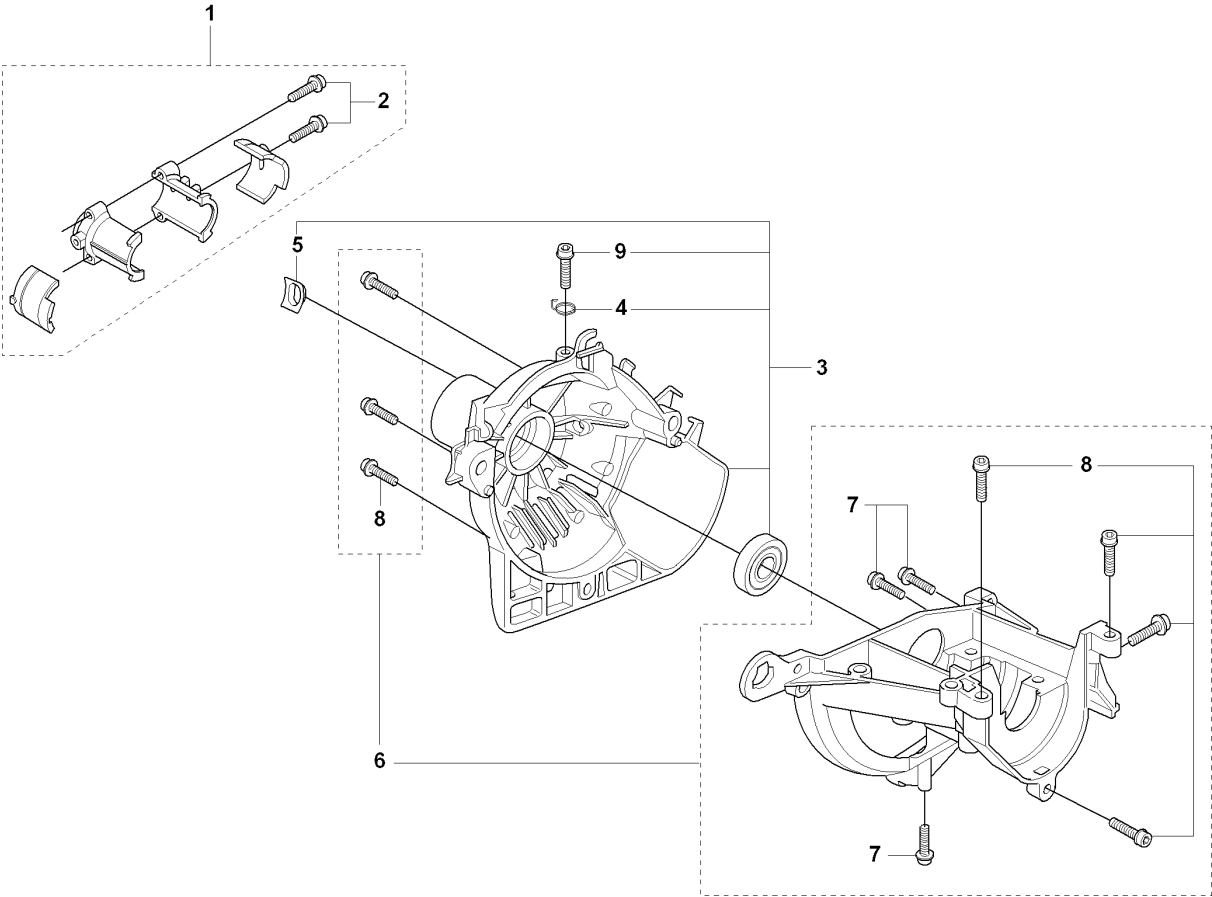
Ref	Part No	Description	Remark	QTY	KIT
1	503 28 34-01	CARBURETTOR		0	
2	537 37 03-01	VALVE		1	1
3	503 48 19-01	COLLAR		1	1
4	537 04 90-01	LEVER		1	1
5	537 02 10-01	SPRING		1	1
6	537 37 03-01	VALVE		1	1
7	503 48 18-01	SCREW		1	1
8	503 47 90-01	SCREW		1	1
9	537 01 98-01	LEVER		1	1
10	503 47 89-01	COLLAR		1	1
11	503 48 05-01	SCREW		2	1
12	503 97 43-01	COVER		1	1
13	537 04 89-01	DIAPHRAGM		1	1, 41, 42
14	537 02 04-01	GASKET		1	1, 41, 42
15	503 48 01-01	SCREW		1	1
16	503 48 00-01	PIN RETAINING SCREW		1	1, 41
17	503 66 59-01	LEVER		1	1, 41
18	537 02 03-01	SPRING		1	1, 41
19	503 47 97-01	VALVE		1	1, 41
20	537 02 08-01	PLUG		1	1, 41
21	537 02 16-01	LIMITER CAP		1	1
22	503 48 08-01	SPRING		1	1
23	537 12 78-01	SCREW		1	1
24	537 02 16-01	LIMITER CAP		1	1
25	503 97 40-01	WASHER		1	1
26	537 02 06-01	SCREW		1	1
27	537 01 26-01	SPRING		1	1
28	537 01 25-01	BALL		1	1
29	503 53 57-01	STRAINER		1	1, 41
30	503 75 53-01	SCREW		1	1
31	537 01 97-01	SPRING		1	1
32	537 01 99-01	VALVE		1	1
33	537 01 96-01	SHAFT ASSY		1	1
34	503 47 92-01	SCREW		1	1
35	537 02 00-01	DIAPHRAGM PUMP		1	1, 41, 42
36	537 02 01-01	GASKET PUMP		1	1, 41, 42
37	537 02 02-01	COVER		1	1
38	503 47 96-01	SCREW		1	1
39	503 48 11-01	PIECE		1	1
40	537 02 07-01	SCREW		1	1
41	531 00 45-53	SET		1	
42	531 00 45-52	GASKET KIT		1	

H 323C, L, LD, R, RJ, 325CX, Lx, LDx, Rx, RJx
COVER



Ref	Part No	Description	Remark	QTY KIT
1	503 21 35-12	SCREW CCRPANT		2
2	537 10 44-01	ARM PROTECTION		1
3	503 21 68-20	SCREW IHSCFT		3
3	503 20 03-16	SCREW IHSCFM		3
4	537 35 33-14	LABEL		1
4	537 35 33-16	LABEL		1
4	537 35 33-17	LABEL		1
4	537 35 33-15	LABEL		1
4	537 35 33-20	LABEL		1
4	537 35 33-24	LABEL		1
4	537 35 33-22	LABEL		1
4	537 35 33-23	LABEL		1
4	537 35 33-26	LABEL		1
5	503 97 21-01	COVER		1
6	503 96 13-01	SCREW		2
7	503 87 18-02	CYLINDER COVER		1
8	537 32 08-03	HEAT PROTECTOR		1
9	503 21 68-20	SCREW IHSCFT		1
9	503 20 03-16	SCREW IHSCFM		1

P 326
CRANK CASE

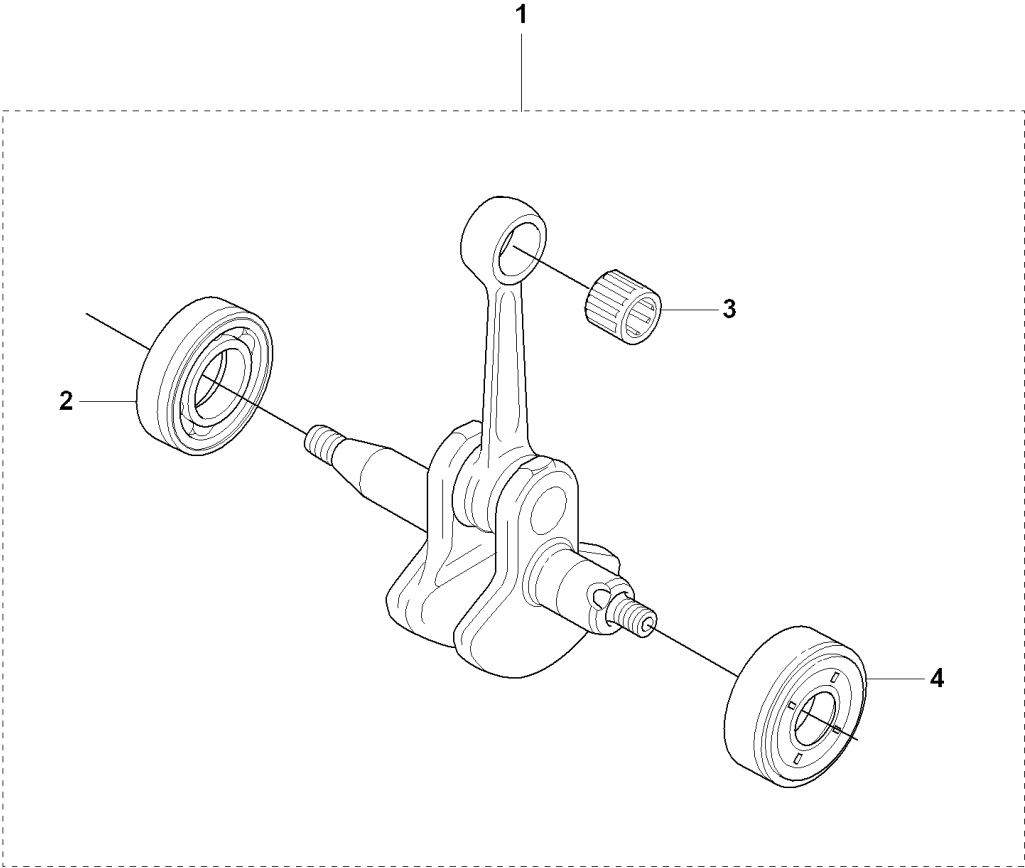


CRANKCASE & CLUTCHDRUM

323 RJ, 2008-03

Ref	Part No	Description	Remark	QTY	KIT
1	537 30 96-01	COMPRESSION SLEEVE		1	
2	503 21 68-25	SCREW IHSCFT		2	1
3	537 04 12-07	CLUTCH COVER		1	
4	537 07 36-01	SPRING		1	3
5	537 42 50-01	PROTECTIVE PLATE		1	3
6	537 04 11-03	CRANKCASE		1	
7	503 21 66-18	SCREW IHSCFT		3	6
8	503 20 03-16	SCREW IHSCFM		7	6
9	503 20 03-16	SCREW IHSCFM		1	3

Q 323C, L, LD, R, RJ, 325CX, Lx, LDx, Rx, RJx
CRANK SHAFT

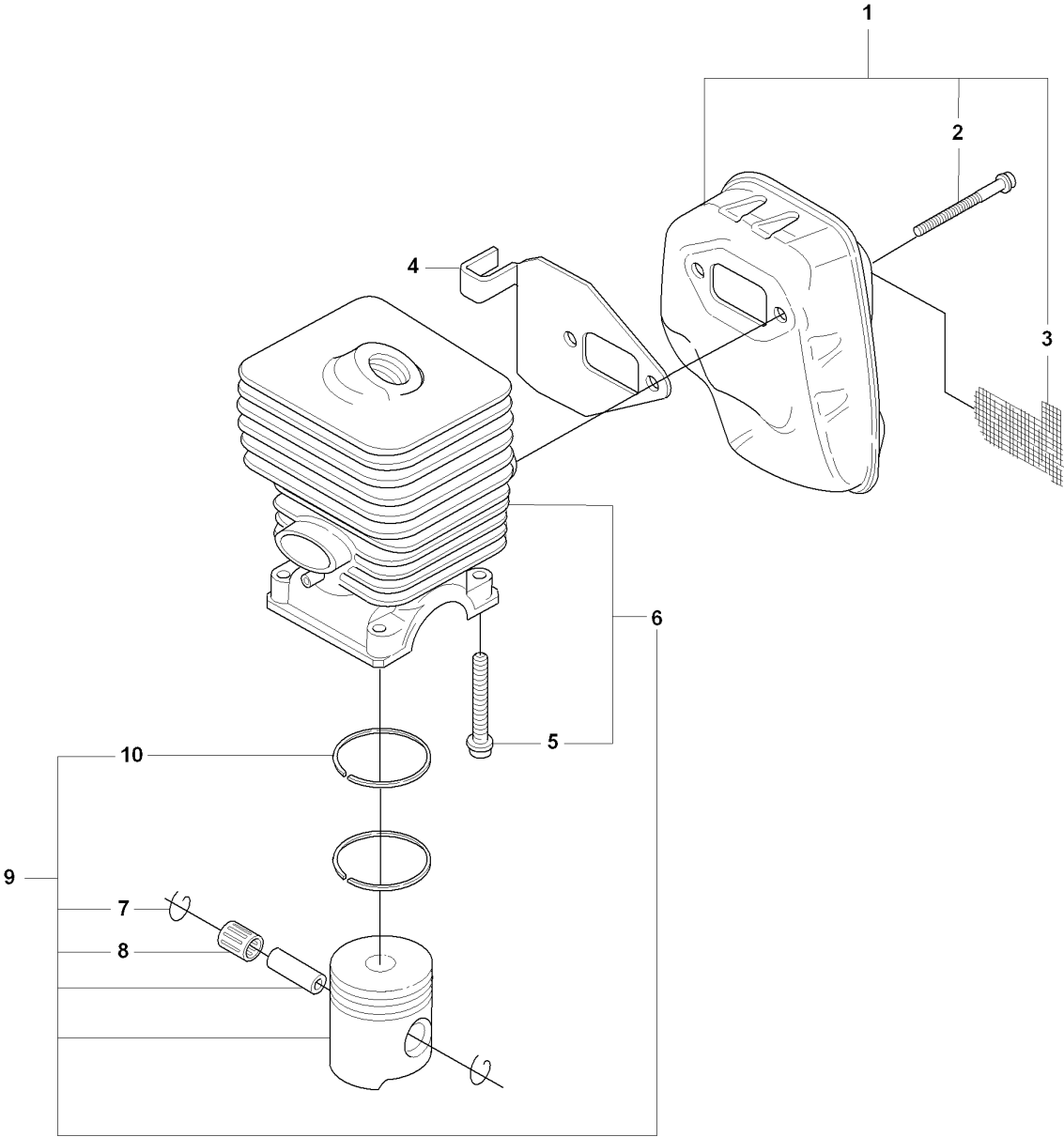


CRANKSHAFT

323 RJ, 2008-03

Ref	Part No	Description	Remark	QTY KIT	
1	503 85 24-75	CRANKSHAFT ASSY			
2	503 94 02-03	BEARING CAGE		1	1
3	503 71 22-01	BEARING		1	1
4	503 94 02-03	BEARING CAGE		1	1

N 323C, L, LD, R, RJ, 325CX, Lx, LDx, Rx, RJx
CYLINDER PISTON & MUFFLER

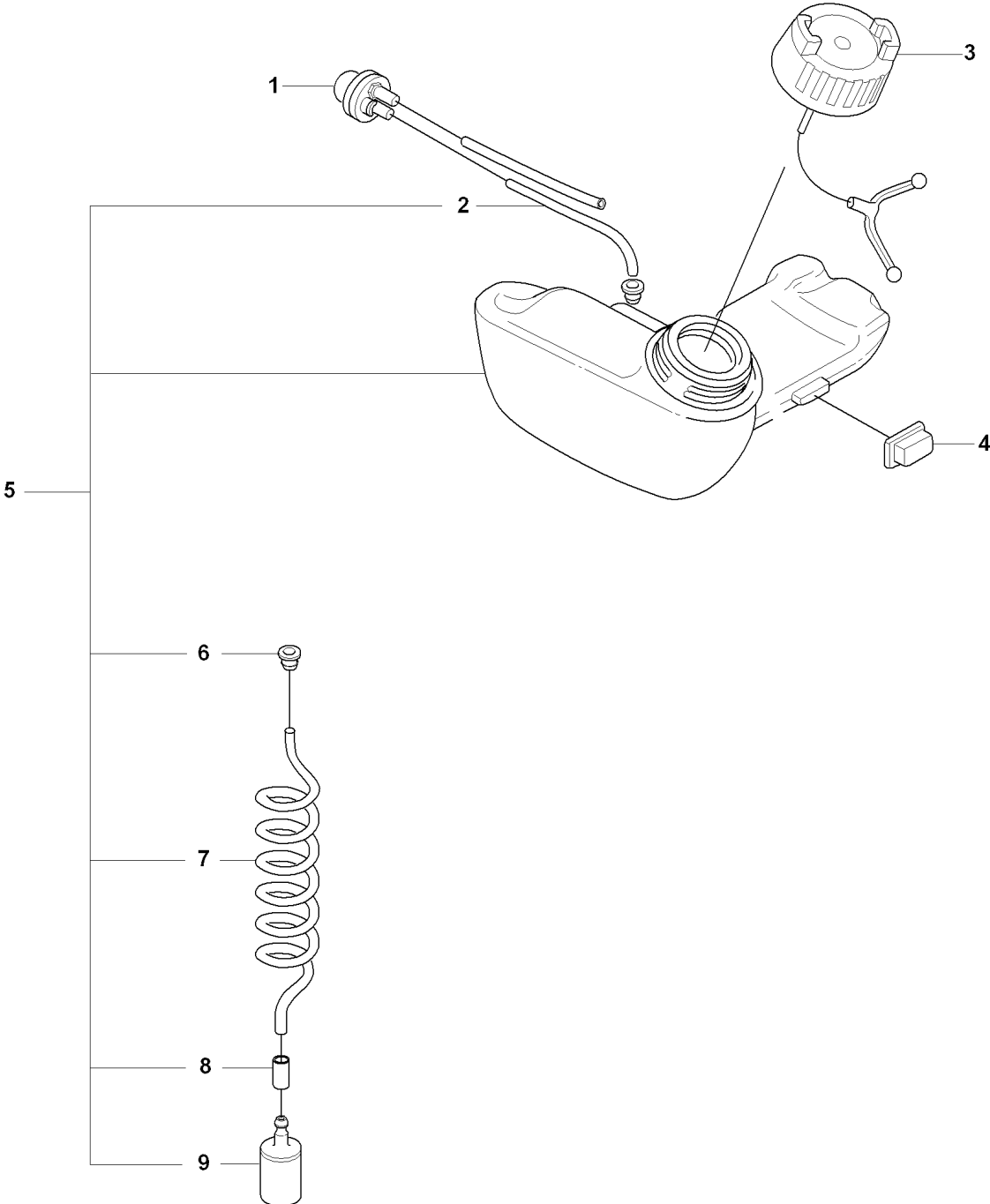


CYLINDER, PISTON & MUFFLER

323 RJ, 2008-03

Ref	Part No	Description	Remark	QTY	KIT
1	537 16 19-01	MUFFLER ASSY		1	
2	502 07 81-01	SCREW EHHFM		2	1
3	503 87 17-01	SPARK ARRESTOR SCREEN		1	1
4	537 01 41-01	GASKET		1	
5	503 20 07-35	SCREW IHSCFM		4	6
6	537 03 20-08	CYLINDER		1	
7	737 44 08-00	CIRCLIP		1	9
8	503 71 22-01	BEARING		1	9
9	537 40 59-02	PISTON		1	6
10	537 40 62-01	PISTON RING		2	9

L 323C, L, LD, R, RJ, 325CX, Lx, LDx, Rx, RJx
FUEL TANK

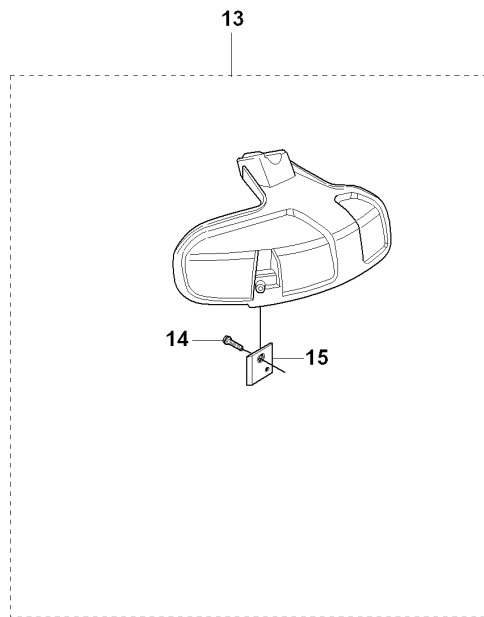
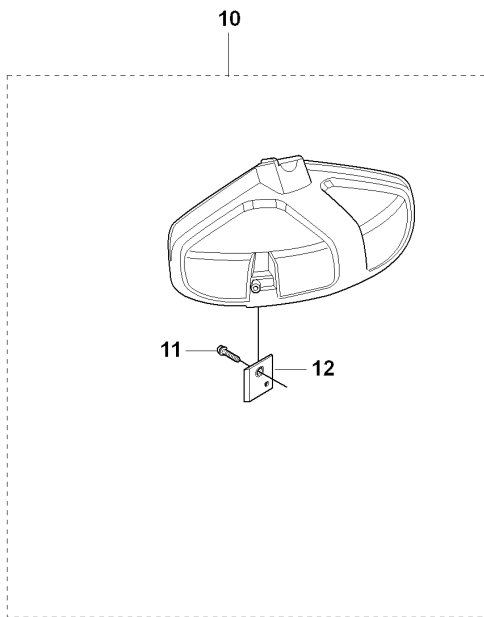
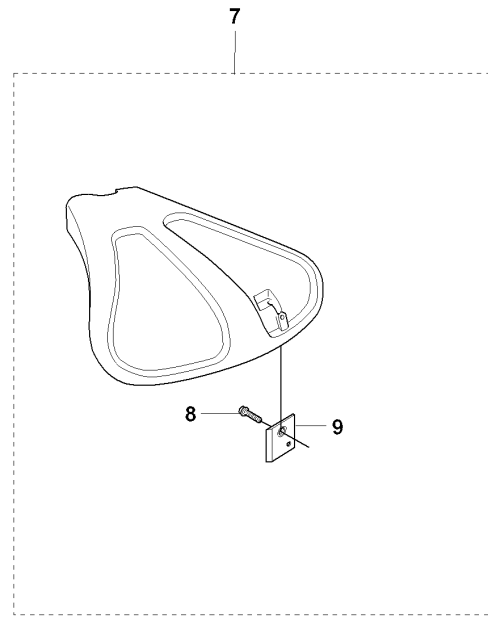
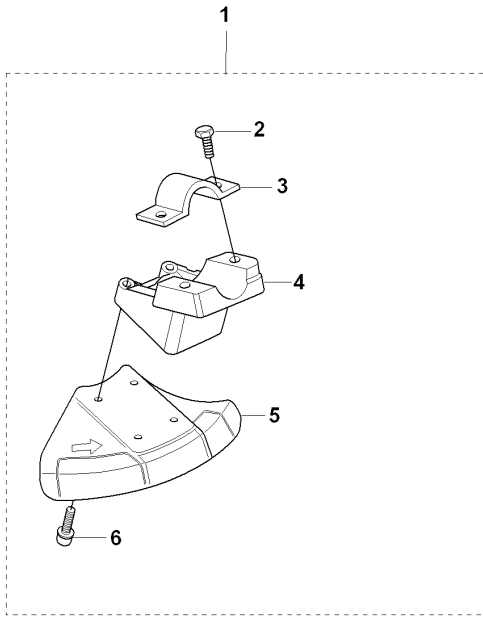


FUEL TANK

323 RJ, 2008-03

Ref	Part No	Description	Remark	QTY	KIT
1	503 93 66-01	PRIMER HOUSING		1	
2	537 04 24-01	FUEL HOSE		2	5
3	503 91 18-02	TANK CAP		1	
4	503 91 10-01	SUSPENSION		4	
5	537 06 86-02	FUEL TANK		1	
6	503 73 58-01	BUSHING		2	5
7	544 32 50-01	FUEL HOSE		1	5
8	504 02 24-01	HOSE CLAMP		1	5
9	503 44 32-01	FILTER		1	5

R 323C, L, LD, R, RJ, 325CX, Lx, LDx, Rx, RJx
ACCESSORIES



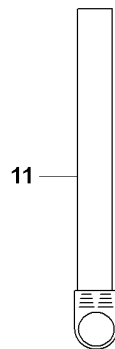
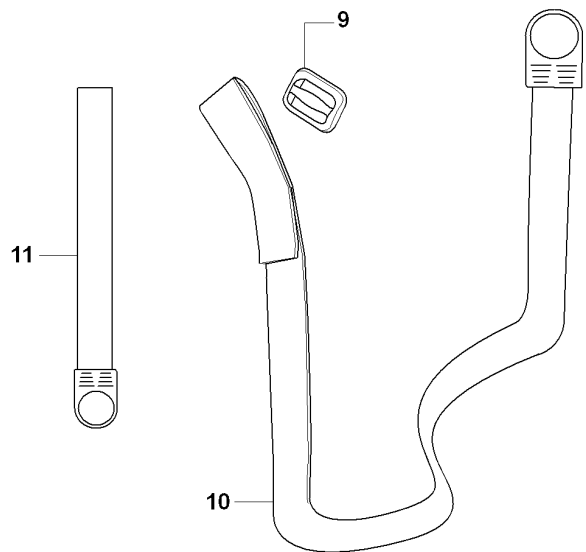
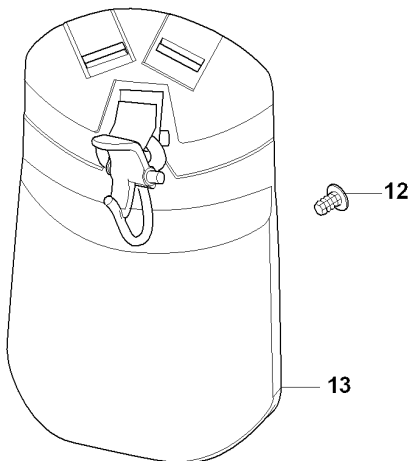
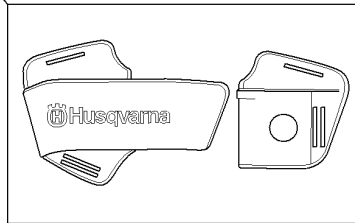
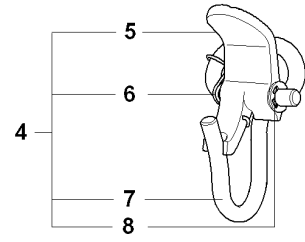
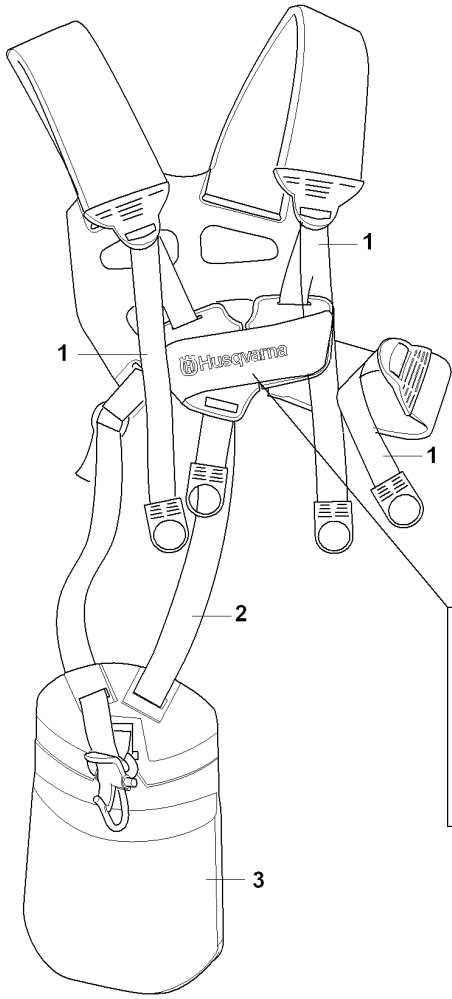
GUARDS

323 RJ, 2008-03

Ref	Part No	Description	Remark	QTY	KIT
1	537 29 95-01	SAW BLADE GUARD		1	
2	725 23 68-71	SCREW EHHM		2	1
3	537 04 75-01	CLAMP		1	1
4	537 29 34-01	ADAPTER		1	1
5	502 27 22-01	SAW BLADE GUARD		1	1
6	503 21 75-16	SCREW IHSCFT		4	1
7	537 07 67-01	TRIMMER GUARD		1	
8	503 21 07-16	SCREW IHSCFT		1	7
9	503 79 88-01	BLADE		1	7
10	503 93 42-02	COMBI GUARD		1	
11	503 21 07-16	SCREW IHSCFT		1	10
12	503 79 88-01	BLADE		1	10
13	503 97 71-01	TRIMMER GUARD		1	
14	503 21 07-16	SCREW IHSCFT		1	13
15	503 79 88-01	BLADE		1	13

U 323C, L, LD, R, RJ, 325CX, Lx, LDx, Rx, RJx
HARNESS

Duo Balance

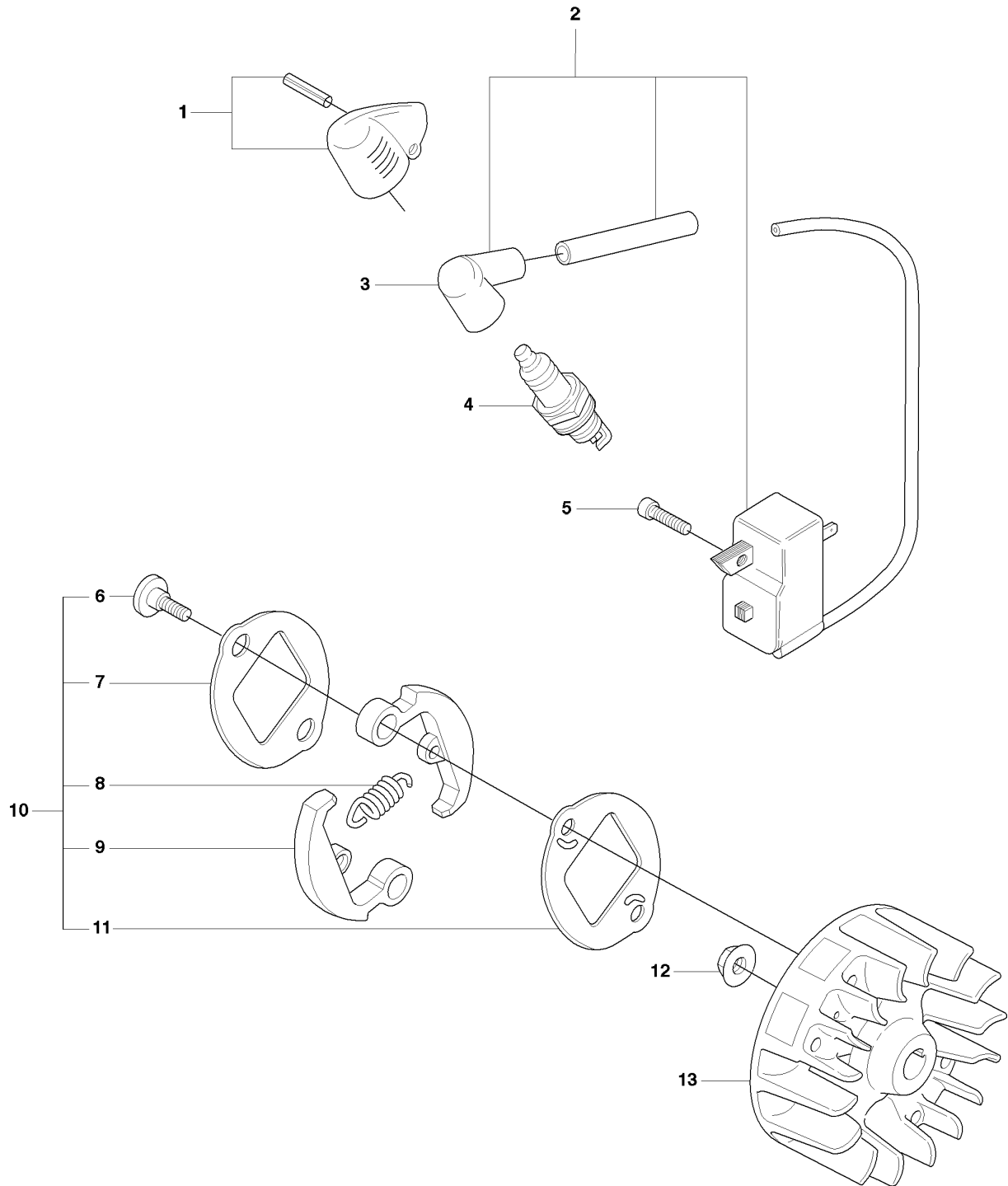


HARNES

323 RJ, 2008-03

Ref	Part No	Description	Remark	QTY KIT
1	503 99 61-01	BAND		
2	503 99 61-03	BAND		
3	537 27 59-01	HIP PAD		
4	502 02 28-01	HOOK		
5	502 02 30-02	LOCK		4
6	502 02 38-01	SPRING		4
7	502 02 29-02	HOOK		4
8	735 31 09-20	E-CLIP		4
9	537 11 35-01	RETAINER		
10	503 99 61-03	BAND		
11	503 99 61-01	BAND		3
12	537 17 54-01	HIP PAD		3
13	537 27 59-01	HIP PAD		

M 323C, L, LD, R, RJ, 325CX, Lx, LDx, Rx, RJx
IGNITION & CLUTCH

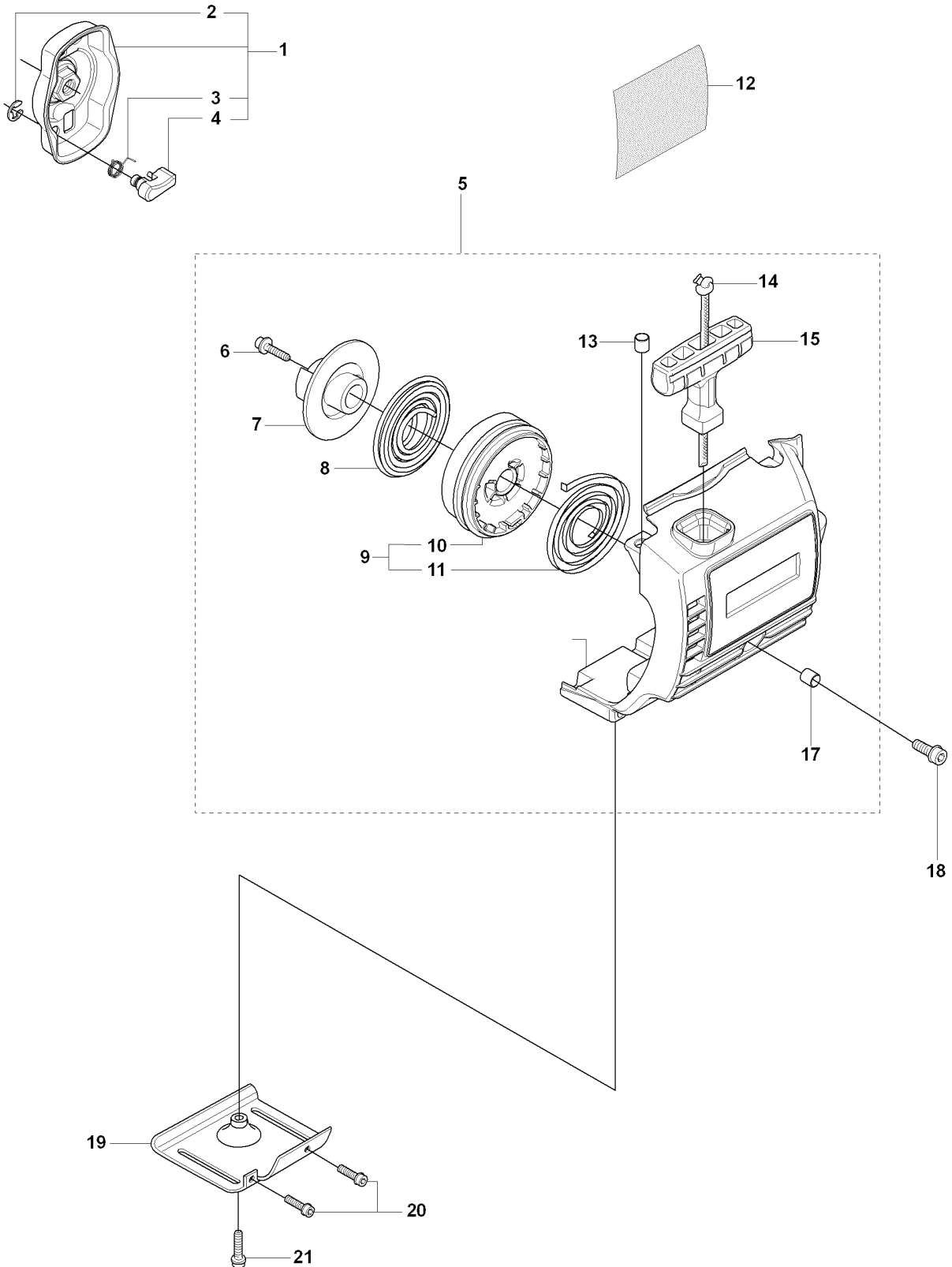


IGNITION SYSTEM & CLUTCH

323 RJ, 2008-03

Ref	Part No	Description	Remark	QTY	KIT
1	537 04 58-01	COVER		1	
2	537 41 87-01	ELECTRONIC MODULE		1	
3	537 23 96-01	SPARK PLUG CAP		1	2
4	503 23 51-08	SPARK PLUG		1	
4	503 23 51-11	SPARK PLUG		1	
5	503 21 71-16	SCREW IHSCT		2	
6	503 84 29-02	SCREW		1	10
7	537 04 67-02	WASHER		1	10
8	503 81 60-01	CLUTCH SPRING		1	10
9	503 84 28-01	CLUTCH SHOE		2	10
10	537 03 22-01	CLUTCH ASSY		1	
11	537 04 68-02	WASHER		1	10
12	731 71 16-51	HEXAGON NUT FLANGED		1	
13	537 24 96-02	FLYWHEEL		1	

K1 323C, L, LD, R, RJ, 325CX, Lx, LDx, Rx, RJx
STARTER

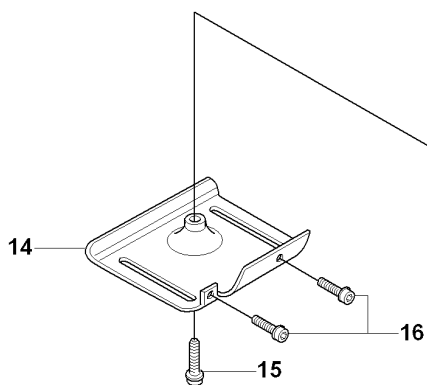
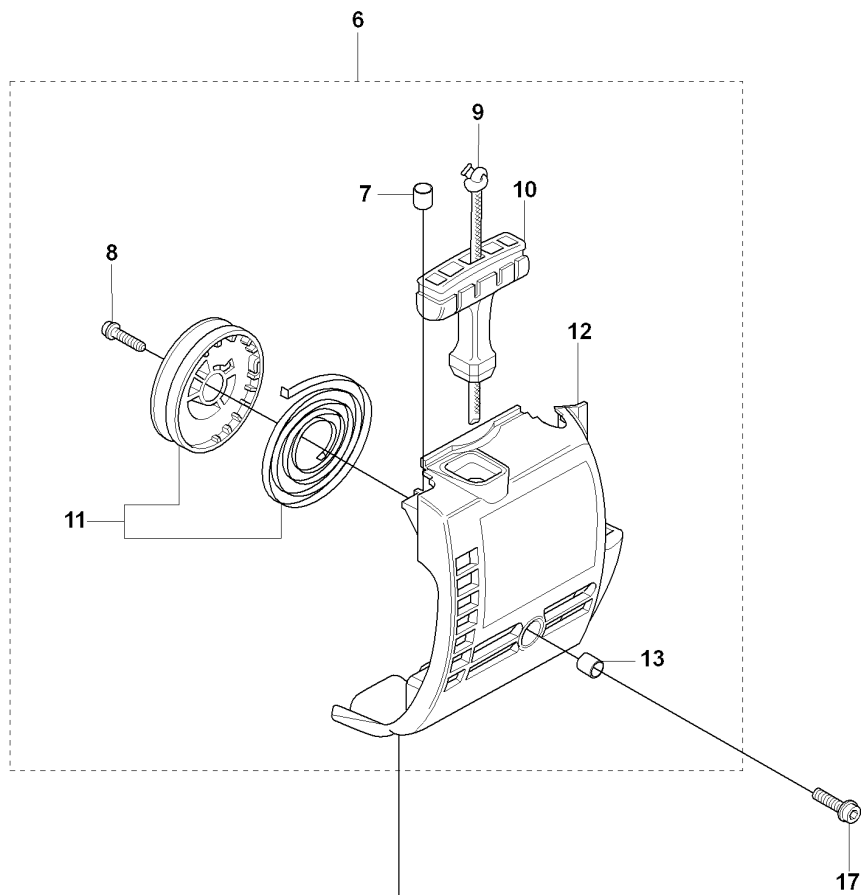
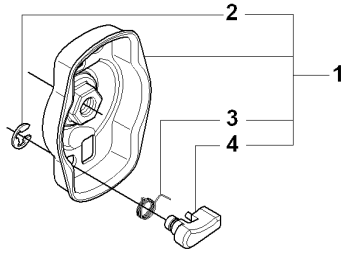


STARTER

323 RJ, 2008-03

Ref	Part No	Description	Remark	QTY	KIT
1	503 87 33-05	STARTER PAWL BRIDGE		1	
2	735 31 08-20	E-CLIP		2	1
3	503 87 36-01	SPRING		2	1
4	503 87 35-02	STARTER PAWL		2	1
5	544 07 11-02	STARTER ASSY		1	
6	503 21 77-25	SCREW IHSCFT		1	5
7	544 03 87-02	DRIVER		1	5
8	544 03 88-02	SPRING		1	5
9	544 16 65-01	STARTER PULLEY ASSY		1	5
10	544 03 86-01	STARTER PULLEY		1	5, 9
11	503 85 90-01	RECOIL SPRING		1	5, 9
12	537 35 34-04	LABEL		1	
12	537 35 34-05	LABEL		1	
12	537 35 34-07	LABEL		1	
12	537 35 34-08	LABEL		1	
12	537 35 34-14	LABEL		1	
12	537 35 34-16	LABEL		1	
12	537 35 34-12	LABEL		1	
12	537 35 34-13	LABEL		1	
12	537 35 34-18	LABEL		1	
13	537 37 93-02	SPACING SLEEVE		2	
14	503 85 89-01	STARTER CORD		1	5
15	537 00 84-01	STARTER HANDLE		1	5
16	537 41 16-01	STARTER HOUSING		1	5
17	537 37 93-02	SPACING SLEEVE		1	5
18	503 21 68-20	SCREW IHSCFT		1	
18	503 20 03-16	SCREW IHSCFM		1	
19	537 03 41-01	PROTECTIVE PLATE		1	
20	503 21 66-18	SCREW IHSCFT		1	
21	503 20 03-16	SCREW IHSCFM		1	

K2 323C, L, LD, R, RJ, 325CX, Lx, LDx, Rx, RJx
STARTER



STARTER

323 RJ, 2008-03

Ref	Part No	Description	Remark	QTY	KIT
1	503 87 33-05	STARTER PAWL BRIDGE		2	
2	735 31 08-20	E-CLIP		1	1
3	503 87 36-01	SPRING		2	1
4	503 87 35-02	STARTER PAWL		2	1
6	503 85 28-06	STARTER ASSY			
7	537 37 93-02	SPACING SLEEVE		2	6
8	503 21 77-16	SCREW IHST		1	6
9	503 85 89-01	STARTER CORD		1	6
10	537 00 84-01	STARTER HANDLE		1	6
11	503 96 49-01	STARTER PULLEY		1	6
12	503 85 87-02	STARTER HOUSING		1	6
13	537 37 93-02	SPACING SLEEVE		1	6
14	537 03 41-01	PROTECTIVE PLATE		1	
15	503 20 03-16	SCREW IHSCFM		1	
16	503 21 66-18	SCREW IHST		1	
17	503 20 03-16	SCREW IHSCFM		2	