

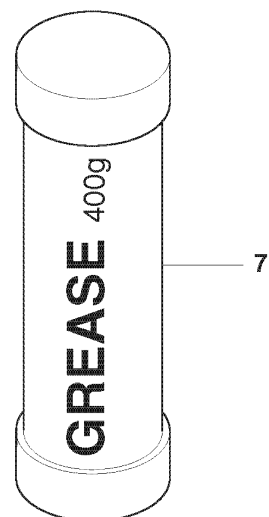
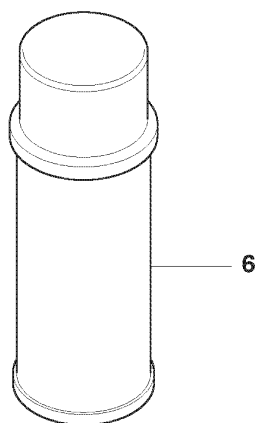
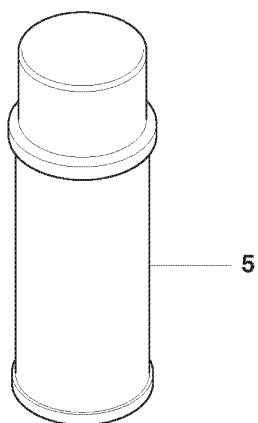
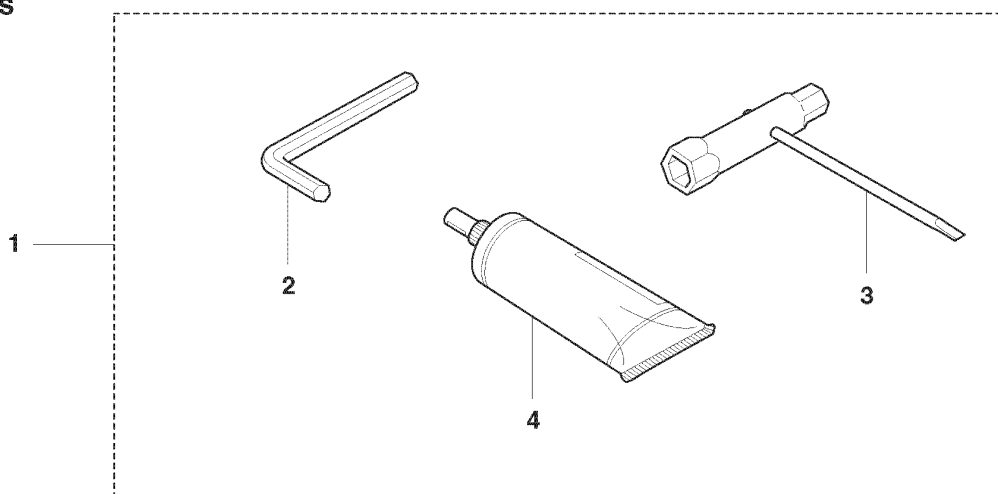


SPARE PARTS LIST

HEDGE TRIMMERS/POLE HEDGE
TRIMMERS

325 HS99 X-SERIES, 2008-05

N Accessories
Zubehöre
Accessoires
Acessorios
Tillbehör



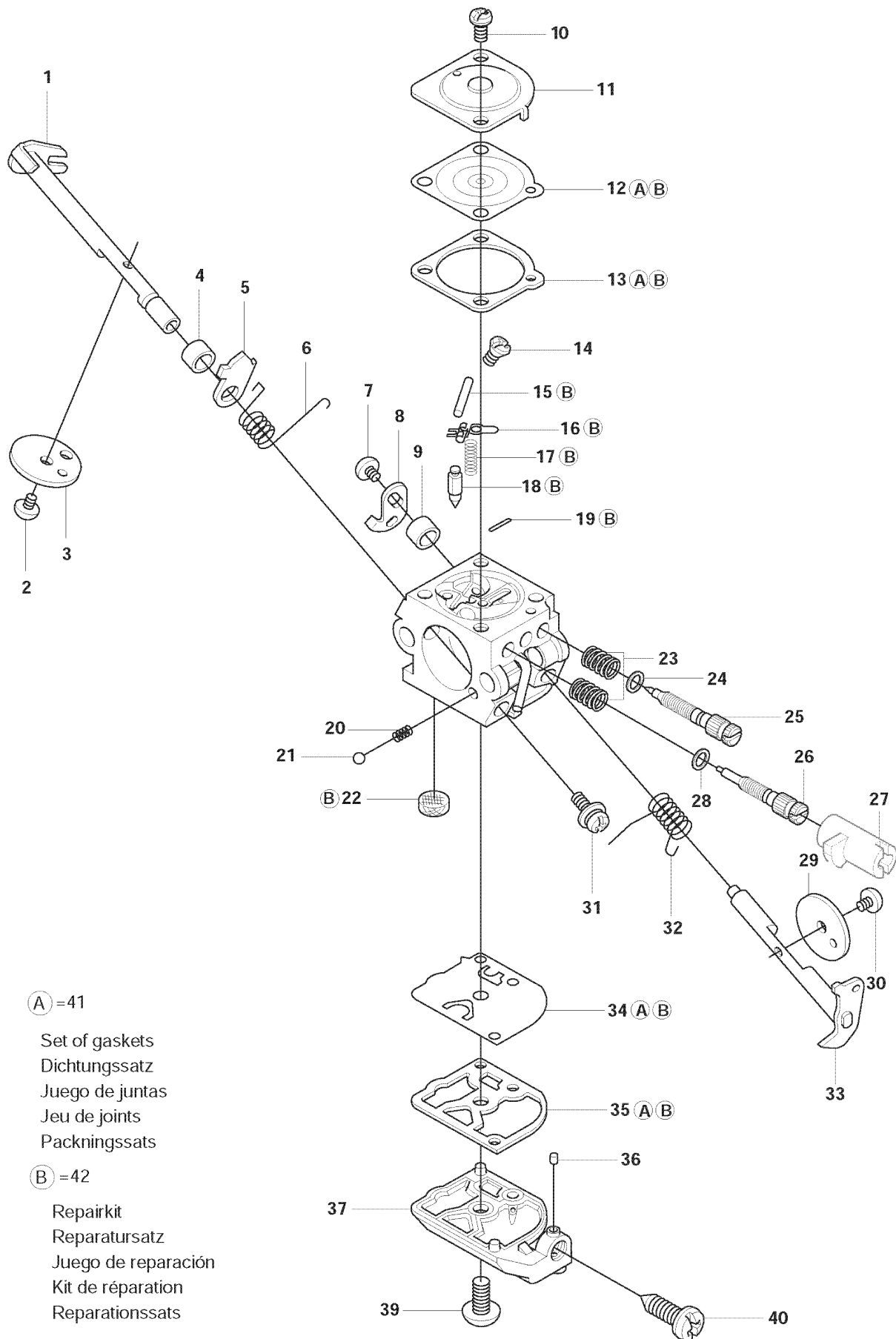
ACCESSORIES

325 HS99 X-SERIES, 2008-05

Ref	Part No	Description	Remark	QTY KIT
1	502 21 60-09	ACCESSORY BAG		1
2	503 55 86-01	SPANNER		1
3	501 69 17-01	COMBINATION WRENCH		1
4	503 98 96-02	GREASE		1
5	531 00 75-13	GREASE		1
6	531 00 75-12	GREASE		1
7	531 00 92-05	GREASE		1

M

ZAMA C1Q - EL 26A



(A) = 41

Set of gaskets
 Dichtungssatz
 Juego de juntas
 Jeu de joints
 Packningssats

(B) = 42

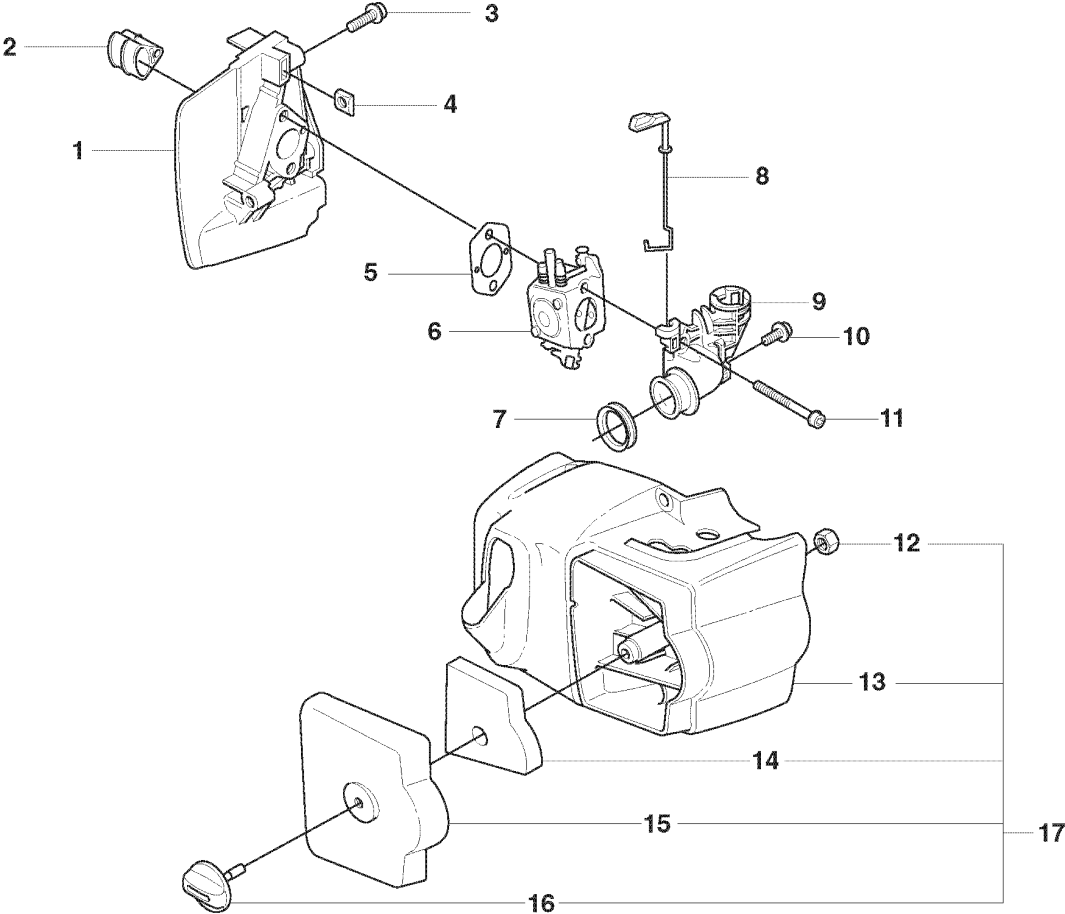
Repairkit
 Reparatursatz
 Juego de reparación
 Kit de réparation
 Reparationssats

CARBURETOR

325 HS99 X-SERIES, 2008-05

Ref	Part No	Description	Remark	QTY KIT
1	503 28 34-03	CARBURETTOR		1
2	537 02 09-01	SHAFT ASSY		1
3	503 48 18-01	SCREW		1
4	537 02 11-01	VALVE		1
5	503 48 19-01	COLLAR		1
6	537 14 34-01	LEVER		1
7	537 02 10-01	SPRING		1
8	503 47 90-01	SCREW		1
9	537 01 98-01	LEVER		1
10	503 47 89-01	COLLAR		1
11	503 48 05-01	SCREW		2
12	503 97 43-01	COVER		1
13	537 04 89-01	DIAPHRAGM		1
14	537 02 04-01	GASKET		1
15	503 48 01-01	SCREW		1
16	503 48 00-01	PIN RETAINING SCREW		1
17	503 66 59-01	LEVER		1
18	537 02 03-01	SPRING		1
19	503 47 97-01	VALVE		1
20	537 02 08-01	PLUG		1
21	537 01 26-01	SPRING		1
22	537 01 25-01	BALL		1
23	503 53 57-01	STRAINER		1
24	503 48 08-01	SPRING		1
25	503 97 40-01	WASHER		1
26	537 12 78-01	SCREW		1
27	537 02 06-01	SCREW		1
28	537 14 35-01	RETAINER		1
29	503 97 40-01	WASHER		1
30	537 01 99-01	VALVE		1
31	503 47 92-01	SCREW		1
32	503 75 53-01	SCREW		1
33	537 01 97-01	SPRING		1
34	537 01 96-01	SHAFT ASSY		1
35	537 02 00-01	DIAPHRAGM PUMP		1
36	537 02 01-01	GASKET		1
37	503 48 11-01	PIECE		1
38	537 02 02-01	COVER		1
39	503 47 96-01	SCREW		1
40	537 02 07-01	SCREW		1
41	531 00 45-52	GASKET KIT		1
42	531 00 45-53	SET		1

G

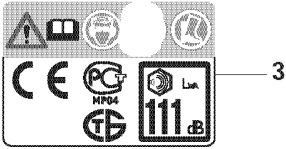
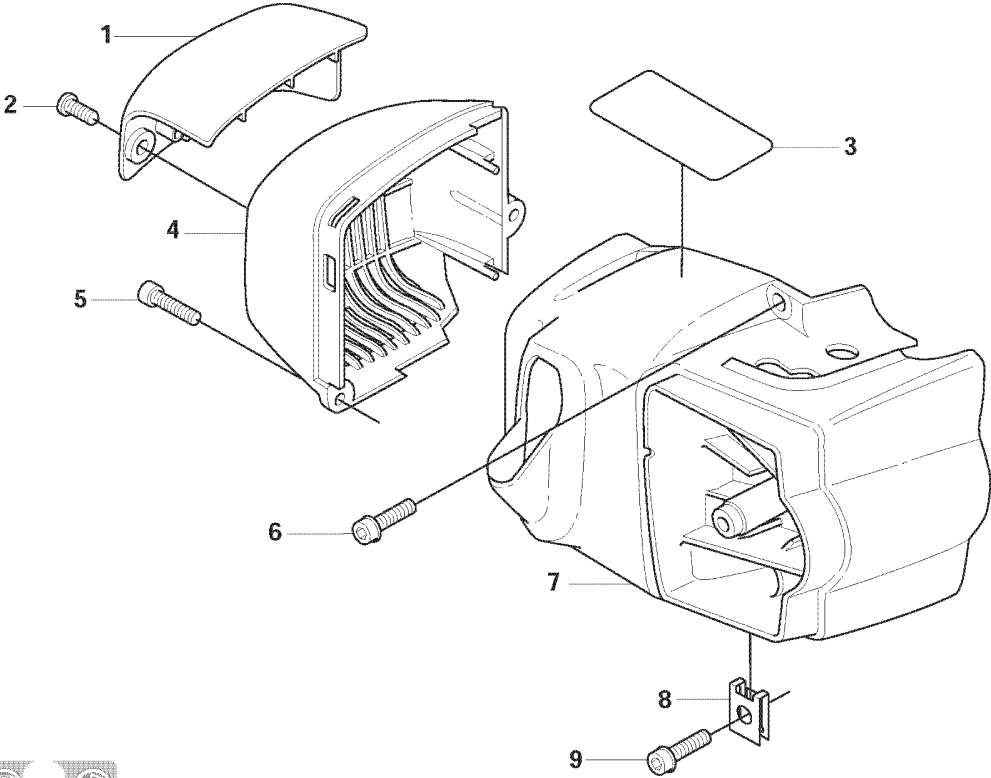


CARBURETOR & AIR FILTER

325 HS99 X-SERIES, 2008-05

Ref	Part No	Description	Remark	QTY KIT
1	503 91 09-01	INSULATION WALL		1
2	503 94 26-01	INLET PIPE		1
3	503 20 14-25	SCREW IHSCFMO		2
4	503 22 65-04	SQUARE NUT		2
5	503 49 71-01	GASKET		1
6	503 28 34-03	CARBURETTOR		1
7	740 68 11-21	V-RING		1
8	537 02 33-01	CHOKE CONTROL		1
9	537 05 78-01	BRACKET		1
10	503 21 77-16	SCREW IHSC T		1
11	503 21 75-50	SCREW IHSCFT		2
12	731 23 14-01	HEXAGON NUT		1
13	537 06 24-06	CYLINDER COVER		1
14	537 25 53-01	AIR FILTER		1
15	537 06 63-01	FILTER COVER		1
16	537 21 32-10	KNOB		1
17	537 41 19-04	CYLINDER COVER ASSY		1

F

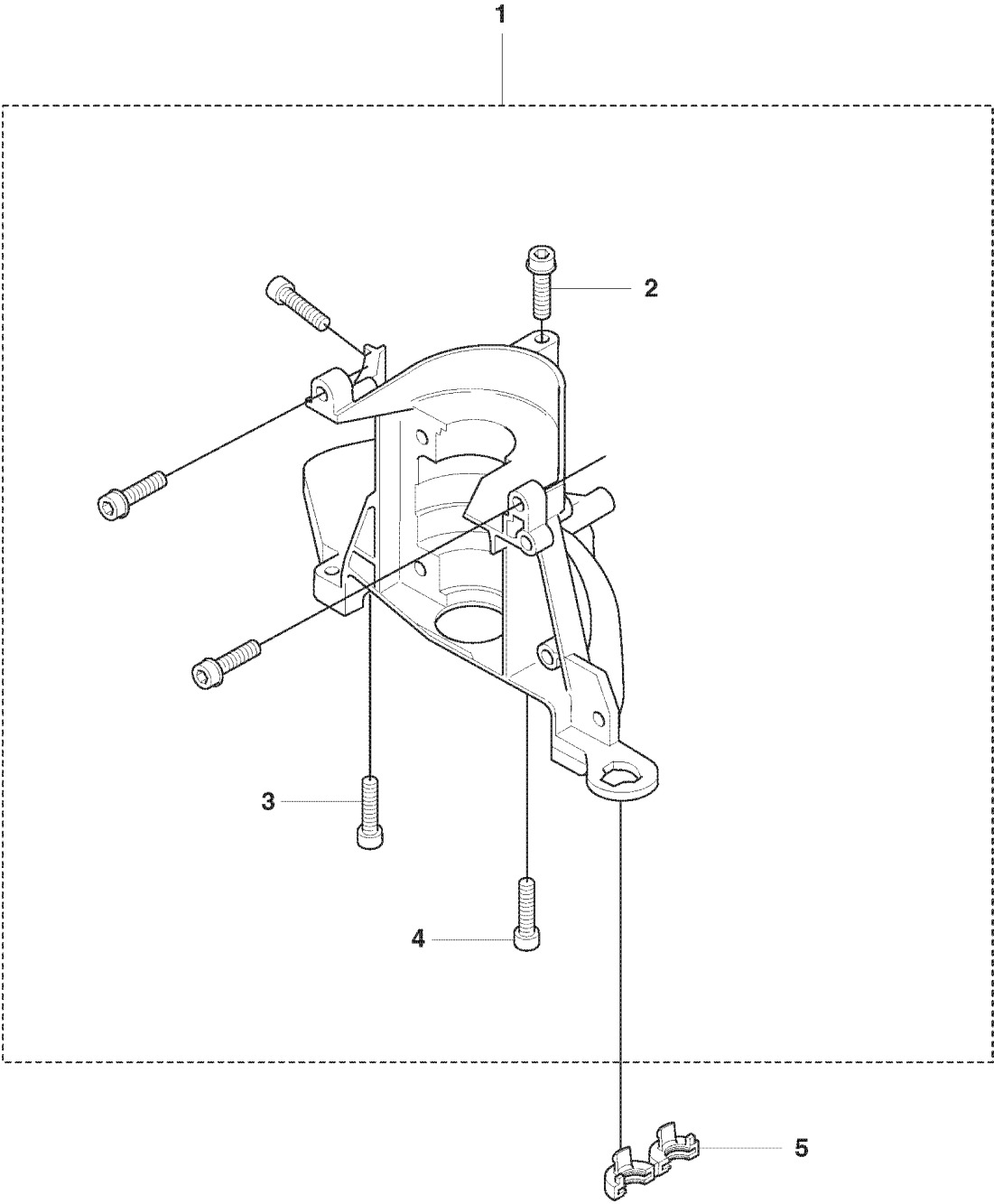


COVER

325 HS99 X-SERIES, 2008-05

Ref	Part No	Description	Remark	QTY KIT
1	537 15 31-01	HEAT SHIELD		1
2	503 21 28-10	SCREW CCRPANT		2
3	544 05 76-03	LABEL		1
4	537 06 25-02	HEAT PROTECTOR		1
5	503 21 62-20	SCREW IHSCFT		2
6	503 20 03-16	SCREW IHSCFM		2
7	537 06 24-06	CYLINDER COVER		1
8	503 22 72-01	SPEED NUT		1
9	503 21 44-16	SCREW IHSCFTO		1

E

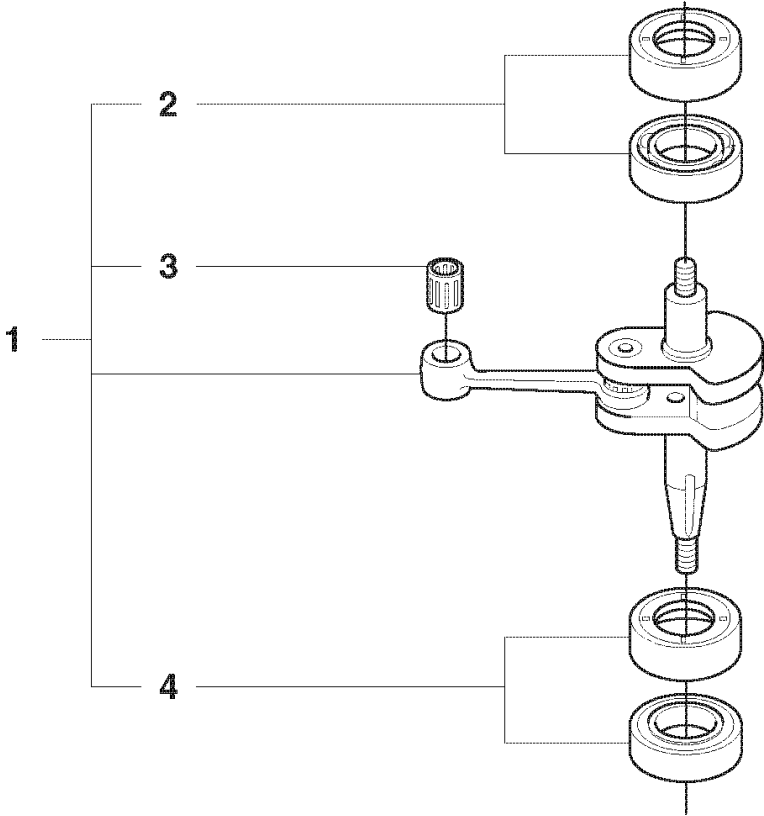


CRANKCASE

325 HS99 X-SERIES, 2008-05

Ref	Part No	Description	Remark	QTY KIT
1	537 04 11-03	CRANKCASE		1
2	503 20 03-16	SCREW IHSCFM		4
3	503 21 66-18	SCREW IH SCT		2
4	503 20 03-16	SCREW IHSCFM		4
5	537 10 50-02	SNAP		1

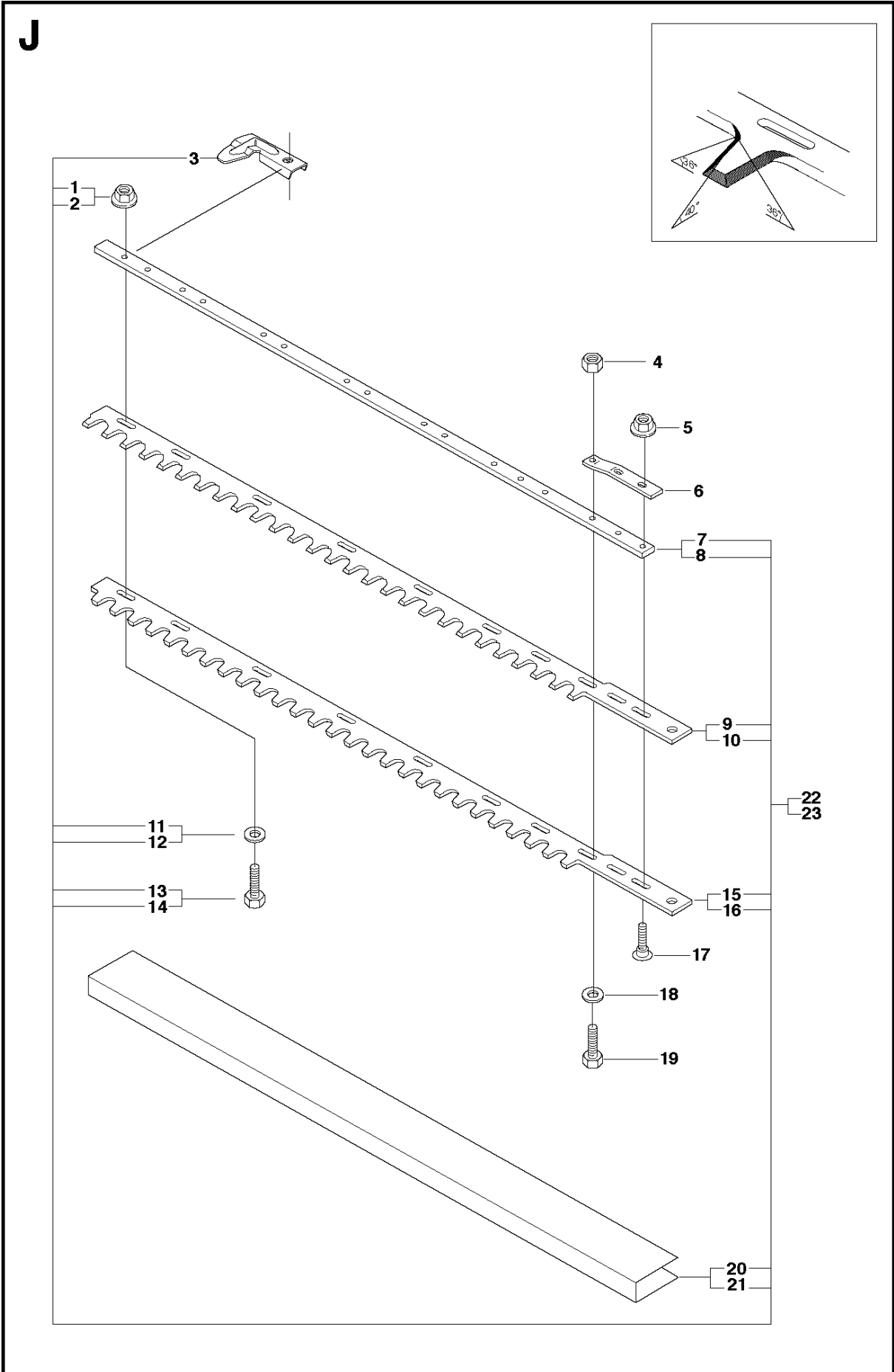
A



CRANKSHAFT

325 HS99 X-SERIES, 2008-05

Ref	Part No	Description	Remark	QTY KIT
1	537 12 81-05	CRANKSHAFT ASSY		1
2	503 94 02-03	BEARING CAGE		1
3	503 71 22-01	BEARING		1
4	537 12 88-02	BEARING CAGE		1

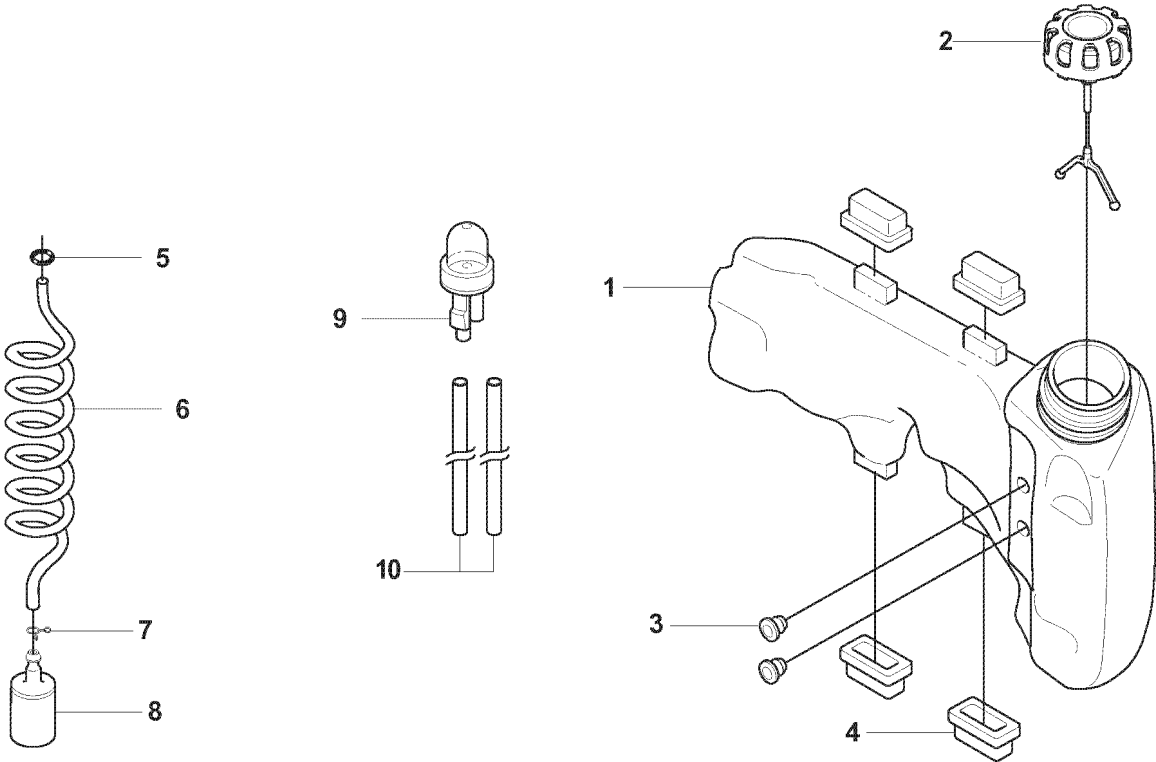


CUTTING EQUIPMENT

325 HS99 X-SERIES, 2008-05

Ref	Part No	Description	Remark	QTY	KIT
1	503 22 00-06	HEXAGON NUT		5	22, 23
2	503 22 00-06	HEXAGON NUT		7	22, 23
3	537 37 21-01	COVER		1	22, 23
4	731 23 16-01	HEXAGON NUT		1	
5	503 22 00-05	HEXAGON NUT		2	
6	537 05 05-01	BASEPLATE		1	
7	537 03 80-01	BEAM	325HS75	1	23
8	537 03 80-02	BEAM	325HS99	1	22
9	537 03 78-05	BLADE	325HS75 TYPE A	1	23
10	537 03 78-06	BLADE	325HS99	1	22
11	503 23 00-24	WASHER		5	22, 23
12	503 23 00-24	WASHER		7	22, 23
13	503 20 17-22	SCREW EHHM		5	22, 23
14	503 20 17-22	SCREW EHHM		7	22, 23
15	537 03 79-05	BLADE	325HS75 TYPE A	1	23
16	537 03 79-06	BLADE	325HS99	1	22
17	503 92 28-03	SCREW		2	
18	503 23 00-24	WASHER		1	
19	725 23 72-71	SCREW EHHM		1	
20	537 03 82-01	TRANSPORT GUARD	325HS75	1	23
21	537 03 82-02	TRANSPORT GUARD	325HS99	1	22
22	537 03 77-08	CUTTING DECK	325HS99	1	
23	537 03 77-07	CUTTING DECK	325HS75	1	

C

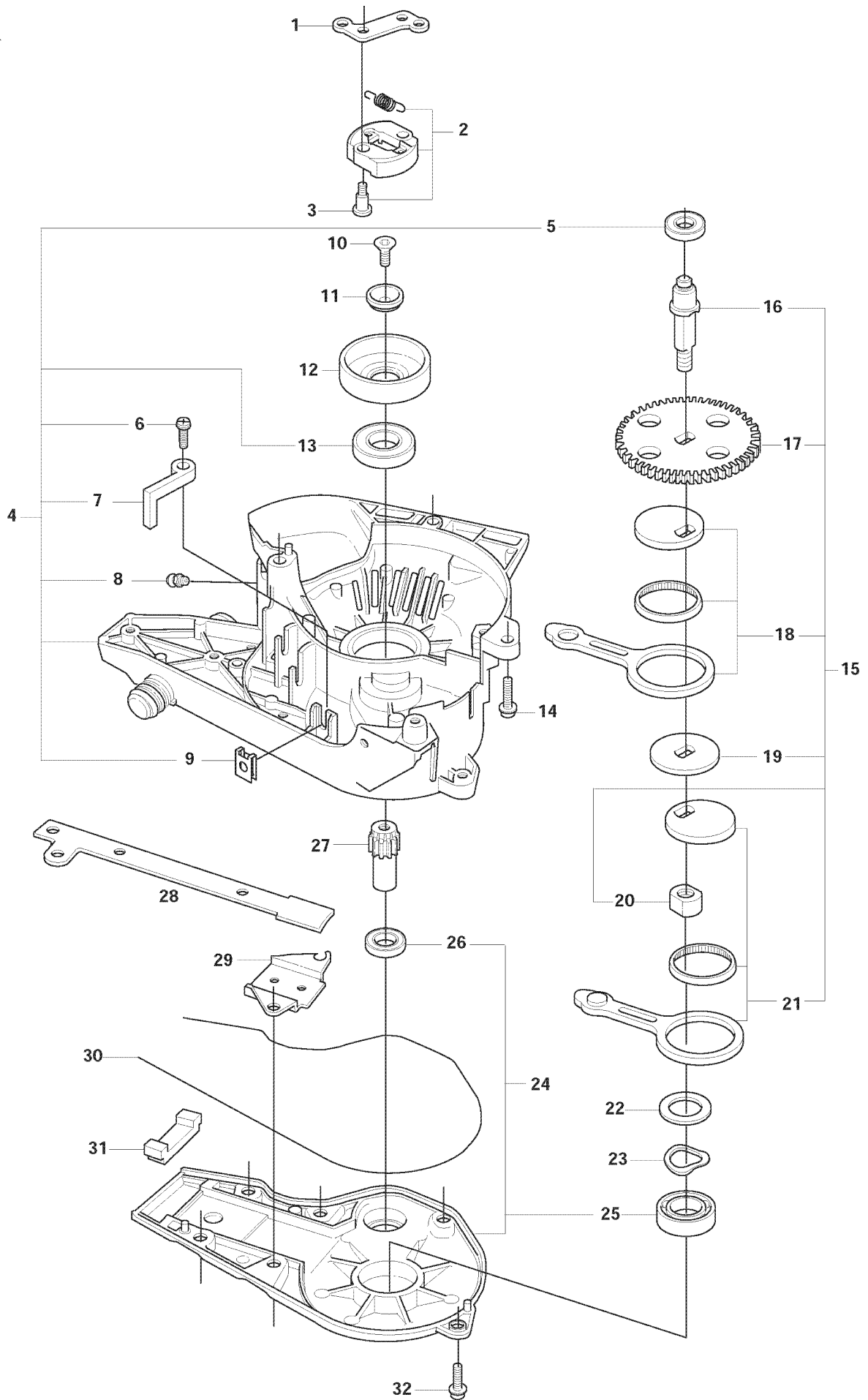


FUEL TANK

325 HS99 X-SERIES, 2008-05

Ref	Part No	Description	Remark	QTY KIT
1	503 98 47-03	FUEL TANK		1
2	504 11 32-01	TANK CAP		1
3	503 73 58-01	BUSHING		2
4	503 91 10-01	SUSPENSION		4
5	537 18 49-01	O-RING		1
6	544 32 50-01	FUEL HOSE		1
7	504 02 24-01	HOSE CLAMP		1
8	503 44 32-01	FILTER		1
9	503 93 66-01	PRIMER HOUSING		1
10	544 97 75-01	FUEL HOSE		2

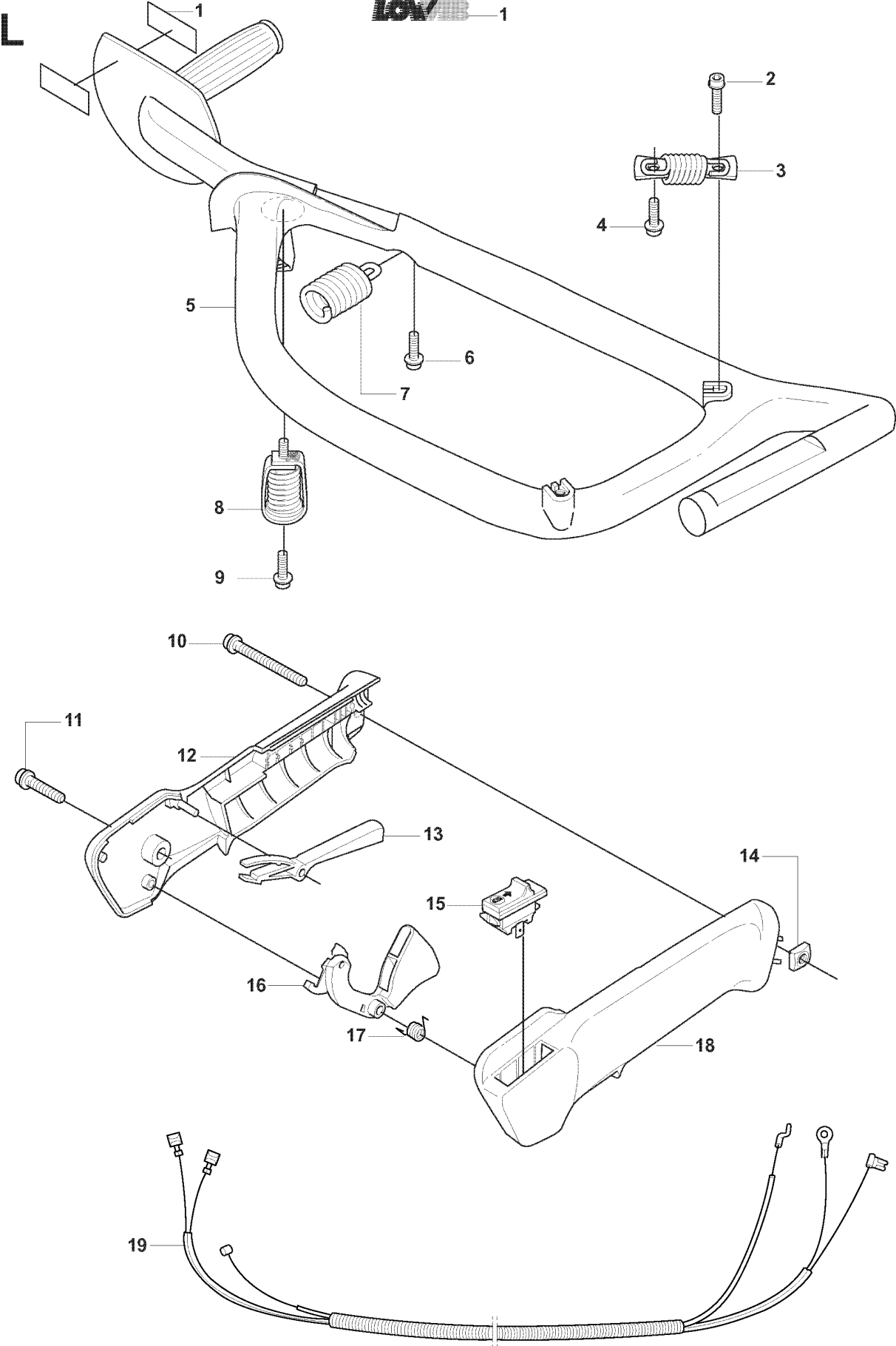
K



GEAR HOUSING

325 HS99 X-SERIES, 2008-05

Ref	Part No	Description	Remark	QTY KIT
1	537 24 25-01	CLUTCH HUB		1
2	544 08 32-01	CLUTCH ASSY		1
3	503 84 29-02	SCREW		2
4	537 06 74-73	GEAR HOUSING		1
5	738 21 98-04	BALL BEARING		1
6	503 21 27-13	SCREW CCRPANT		1
7	537 17 17-01	BRACKET		1
8	738 88 10-01	LUBRICATION NIPPLE		1
9	503 22 72-01	SPEED NUT		1
10	725 64 49-56	SCREW IHCSFM		1
11	537 09 03-01	WASHER		1
12	537 03 96-01	CLUTCH DRUM		1
13	738 21 02-04	BALL BEARING		1
14	503 20 03-16	SCREW IHSCFM		3
15	503 98 23-03	DRIVE SHAFT		1
16	503 98 19-01	DRIVE SHAFT		1
17	503 98 17-01	GEAR RIM		1
18	537 17 35-02	CONNECTING ROD		1
19	503 98 22-01	SPACER		1
20	503 98 20-01	NUT		1
21	537 17 35-02	CONNECTING ROD		1
22	503 23 00-14	WASHER		1
23	503 23 03-01	WASHER		1
24	537 06 75-01	HUB CAP		1
25	738 21 88-00	BALL BEARING		1
26	503 25 05-01	BALL BEARING		1
27	537 09 01-01	GEAR WHEEL SHAFT		1
28	503 98 36-01	WEAR PLATE		1
29	537 05 15-01	GUIDE PLATE		1
30	503 26 32-01	O-RING		1
31	537 05 33-01	SEALING		1
32	503 21 68-16	SCREW IHST		6

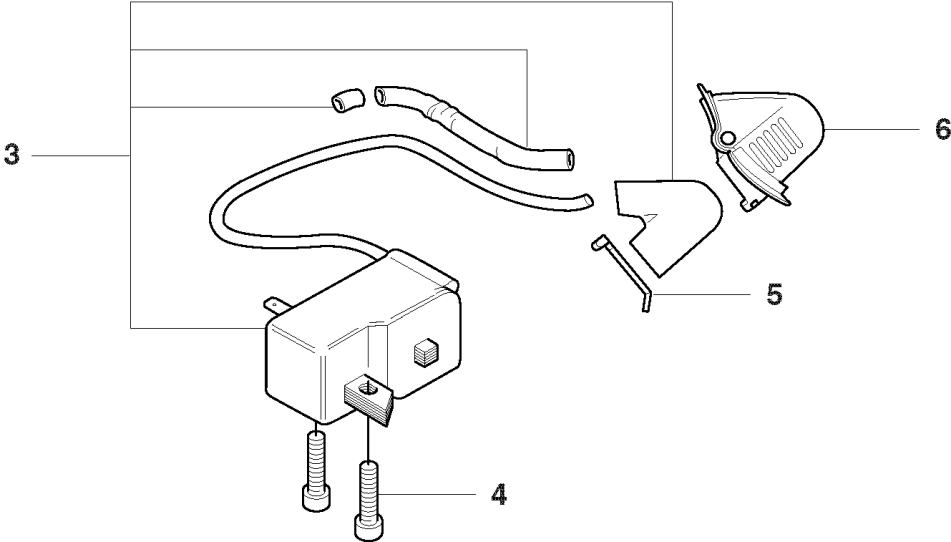
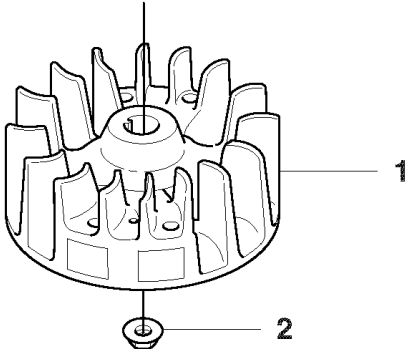


HANDLE & CONTROLS

325 HS99 X-SERIES, 2008-05

Ref	Part No	Description	Remark	QTY KIT
1	503 73 45-01	LABEL		2
2	503 21 68-16	SCREW IH SCT		2
3	537 27 24-01	ANTIVIBRATION ELEMENT		2
4	503 21 68-16	SCREW IH SCT		2
5	503 98 41-02	FRAME		1
6	503 21 68-16	SCREW IH SCT		2
7	503 77 07-01	ANTIVIBRATION ELEMENT		2
8	503 85 38-03	ANTIVIBRATION ELEMENT		1
9	503 20 07-16	SCREW IH SCFM		1
10	503 20 02-35	SCREW IH SCFM		1
11	503 21 07-22	SCREW IH SCT		1
12	502 20 86-06	HANDLE HALF		1
13	502 19 94-01	THROTTLE LOCKOUT		1
14	503 22 65-04	SQUARE NUT		1
15	537 41 90-01	SWITCH		1
16	502 19 92-01	THROTTLE TRIGGER		1
17	503 79 41-01	RECOIL SPRING		1
18	502 20 85-06	HANDLE HALF		1
19	537 05 20-03	WIRING ASSY		1

B

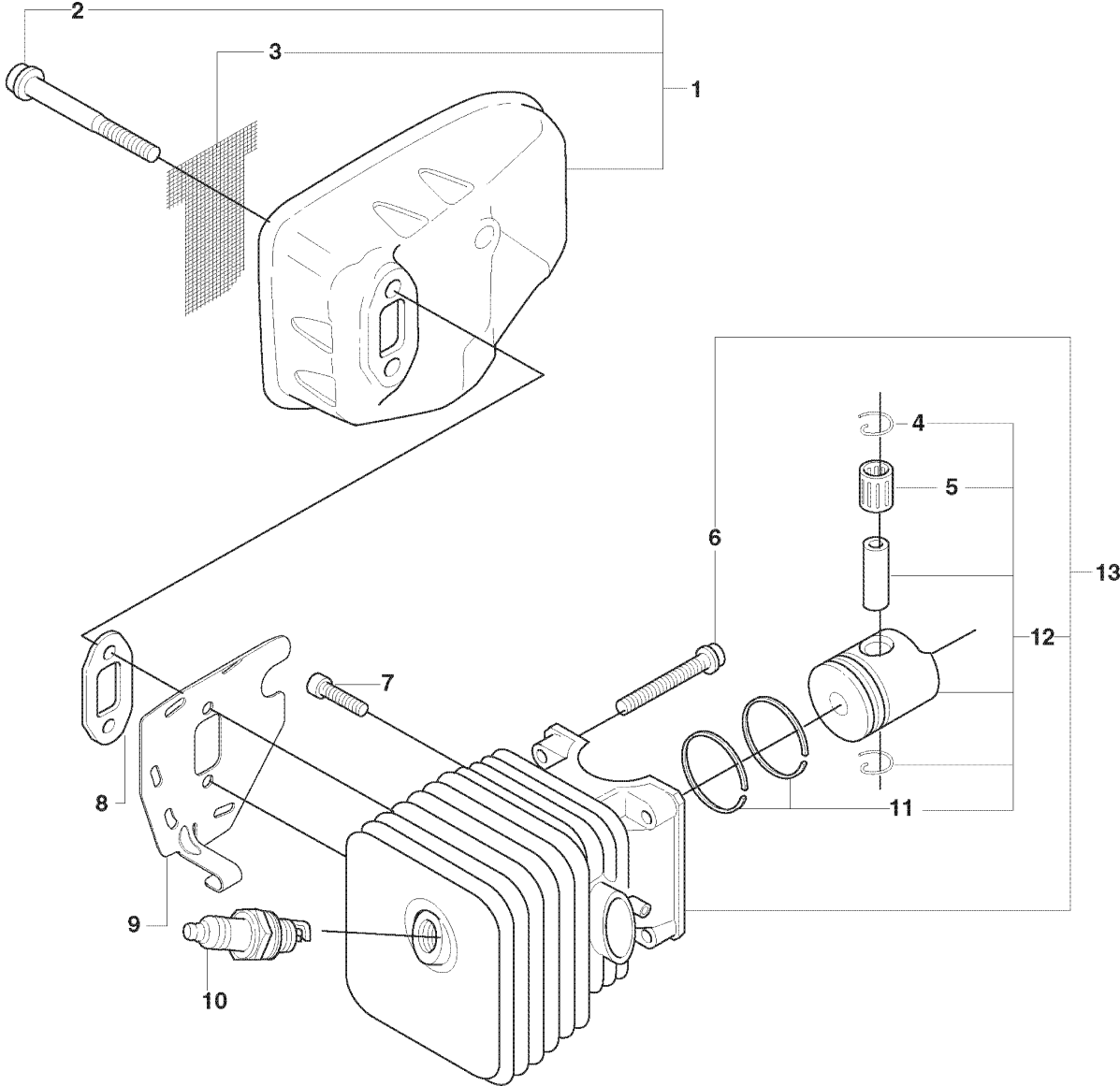


IGNITION SYSTEM

325 HS99 X-SERIES, 2008-05

Ref	Part No	Description	Remark	QTY KIT
1	537 24 96-02	FLYWHEEL		1
2	731 71 16-51	HEXAGON NUT FLANGE		1
3	504 70 76-01	IGNITION MODULE		1
4	503 21 66-18	SCREW IHSCT		2
5	537 09 17-01	SECURING PLATE		1
6	537 06 44-02	COVER		1

D



MUFFLER

325 HS99 X-SERIES, 2008-05

Ref	Part No	Description	Remark	QTY	KIT
1	510 00 03-02	MUFFLER KIT		1	
2	503 20 29-56	SCREW IHSCFM		2	
3	503 87 17-01	SPARK ARRESTER SCREEN		1	
4	737 44 08-00	CIRCLIP		2	12, 13
5	503 71 22-01	BEARING		1	12, 13
6	725 53 37-55	SCREW IHSCM		4	13
7	503 20 07-16	SCREW IHSCFM		1	
8	537 06 82-01	SPACER		1	
9	537 37 09-01	AIR CONDUCTOR		1	
10	503 23 51-08	SPARK PLUG		1	
11	537 40 62-01	PISTON RING		2	12, 13
12	537 40 59-02	PISTON		1	13
13	537 03 20-08	CYLINDER		1	

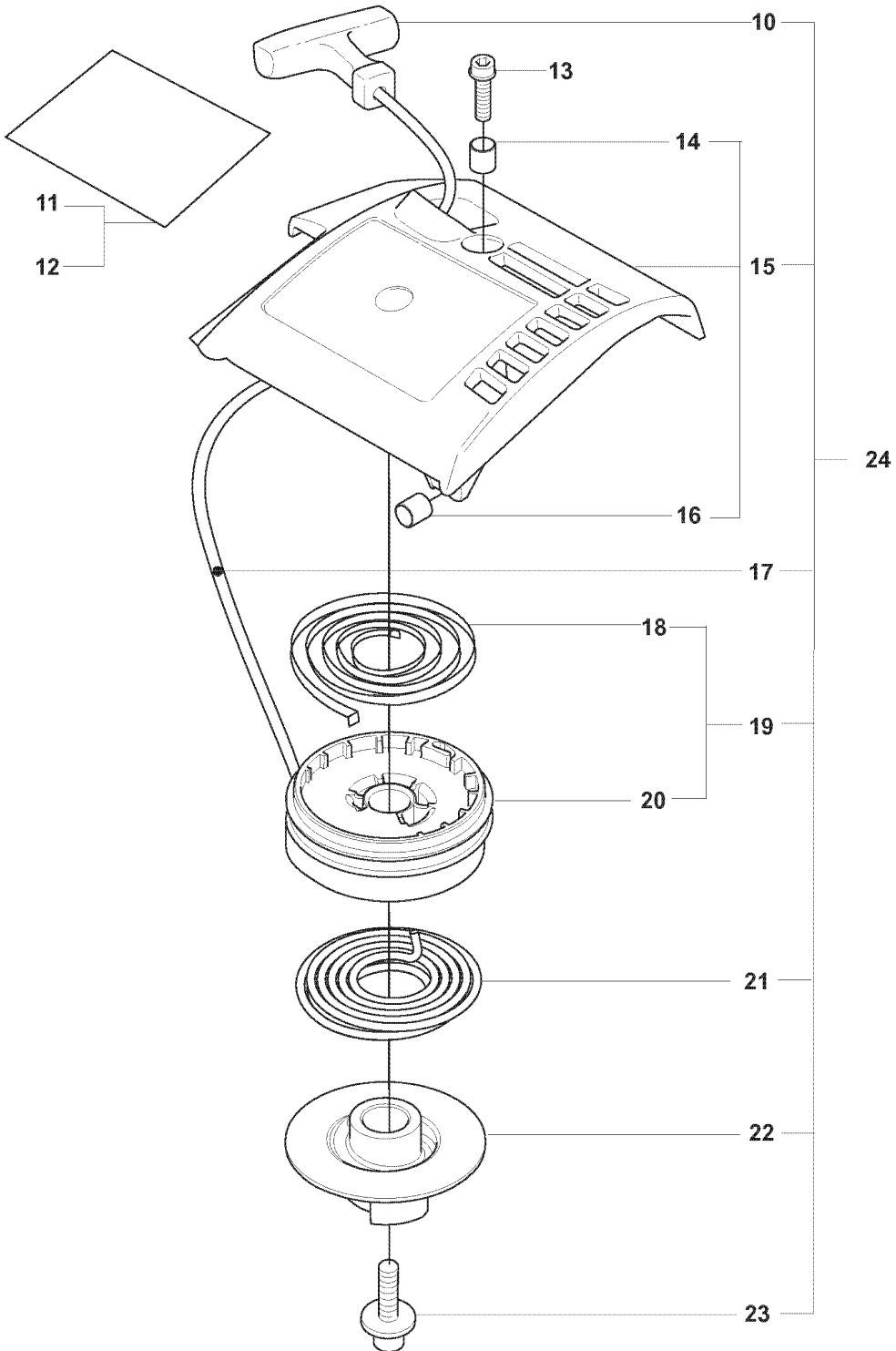
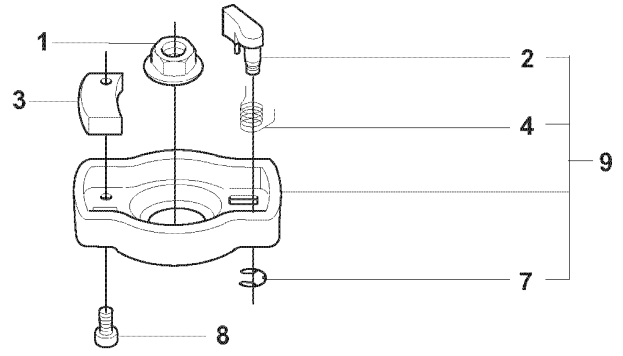
H



5



6



STARTER

325 HS99 X-SERIES, 2008-05

Ref	Part No	Description	Remark	QTY KIT
1	731 71 16-51	HEXAGON NUT FLANGE		1
2	503 87 35-02	STARTER PAWL		1
3	537 05 47-01	COUNTERWEIGHT		1
4	503 87 36-01	SPRING		1
5	537 35 34-25	LABEL		1
6	537 35 34-26	LABEL		1
7	735 31 08-20	E-CLIP		1
8	725 52 87-56	SCREW IHSCM		1
9	503 87 33-03	BRIDGE		
10	537 00 84-01	STARTER HANDLE		1
11	537 35 34-25	LABEL		1
12	537 35 34-26	LABEL		1
13	503 20 03-16	SCREW IHSCFM		1
14	537 37 93-02	SPACING SLEEVE		1
15	544 00 24-01	STARTER HOUSING		1
16	537 37 93-02	SPACING SLEEVE		2
17	503 85 89-01	STARTER CORD		2
18	503 85 90-01	RECOIL SPRING		2
19	544 16 65-01	STARTER PULLEY ASSY		1
20	544 03 86-01	STARTER PULLEY		1
21	544 03 88-02	SPRING		1
22	544 03 87-02	DRIVER		1
23	503 21 77-25	SCREW IHST		1
24	544 00 25-02	STARTER ASSY		