

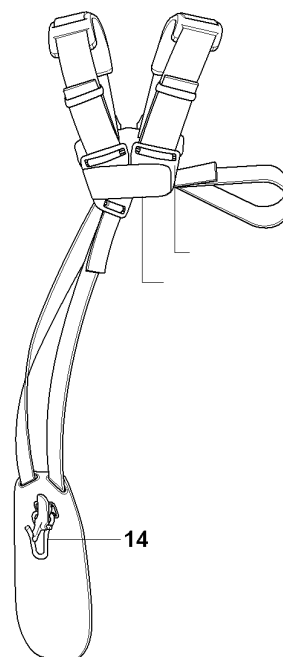
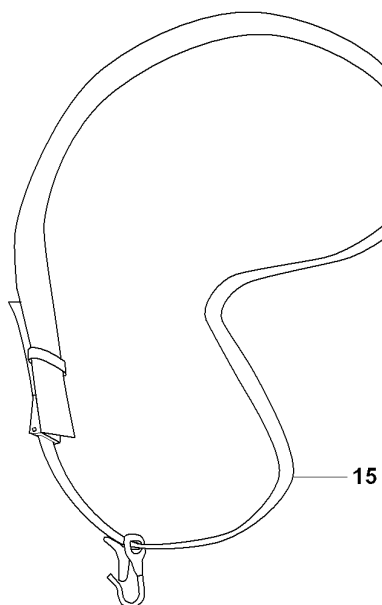
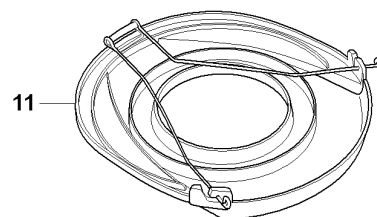
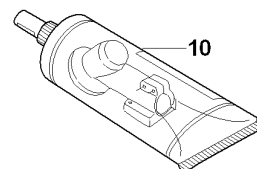
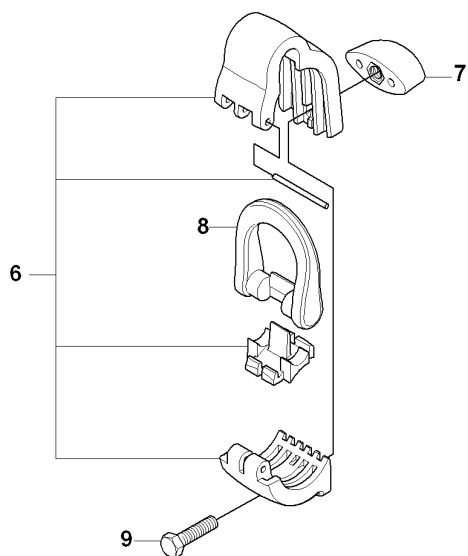
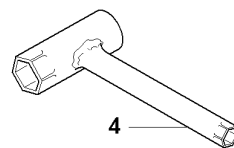
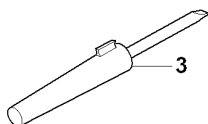
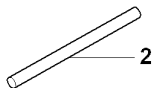
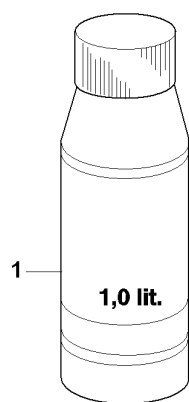


SPARE PARTS LIST

BRUSHCUTTERS/CLEARING SAWS

325 RX, 2008-03

T 323C, L, LD, R, RJ, 325CX, Lx, LDx, Rx, RJx
ACCESSORIES

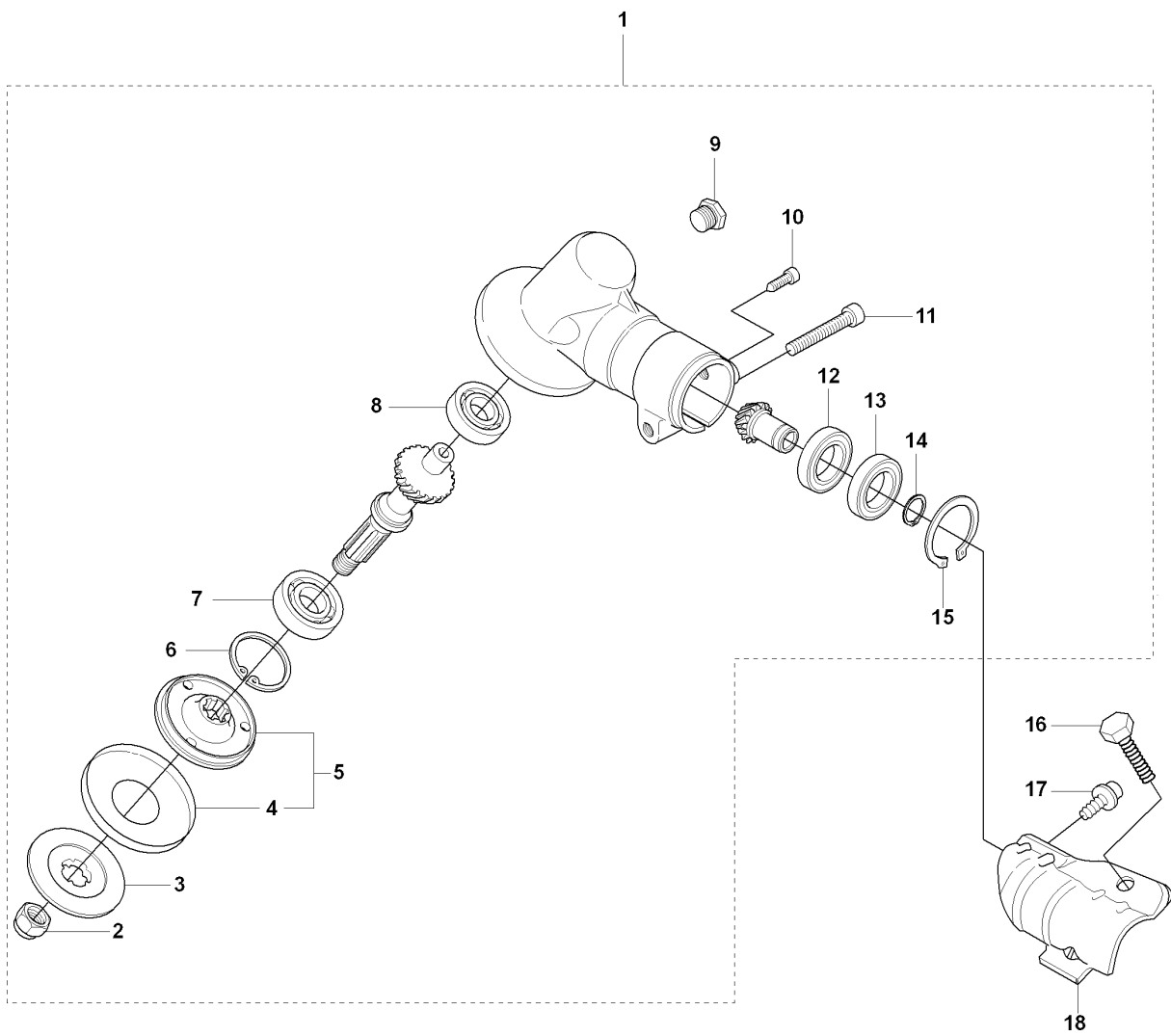


ACCESSORIES

325 RX, 2008-03

| Ref | Part No | Description | Remark | QTY KIT |
|-----|--------------|-----------------|--------|---------|
| 1 | 531 00 92-48 | FILTER OIL | | 1 |
| 2 | 502 28 59-01 | STOP | | 1 |
| 3 | 501 60 02-03 | SCREWDRIVER | | 1 |
| 4 | 502 11 46-02 | SOCKET WRENCH | | 1 |
| 5 | 502 21 58-01 | L-NYCKEL | | 1 |
| 6 | 537 35 36-01 | LOOP | | 1 |
| 7 | 537 13 04-02 | KNOB | | |
| 8 | 537 35 01-01 | LOOP | | 6 |
| 9 | 725 23 31-51 | SCREW | | 1 |
| 10 | 503 97 64-01 | GREASE | | 1 |
| 11 | 537 31 29-01 | TRANSPORT GUARD | | 1 |
| 12 | 503 73 40-01 | FRONT PIECE | | |
| 13 | 503 73 41-02 | FRONT PIECE | | |
| 14 | 502 02 28-02 | WELT HOOK | | 1 |
| 15 | 537 21 62-01 | HARNESS | | 1 |
| 15 | 537 21 62-02 | HARNESS | | |

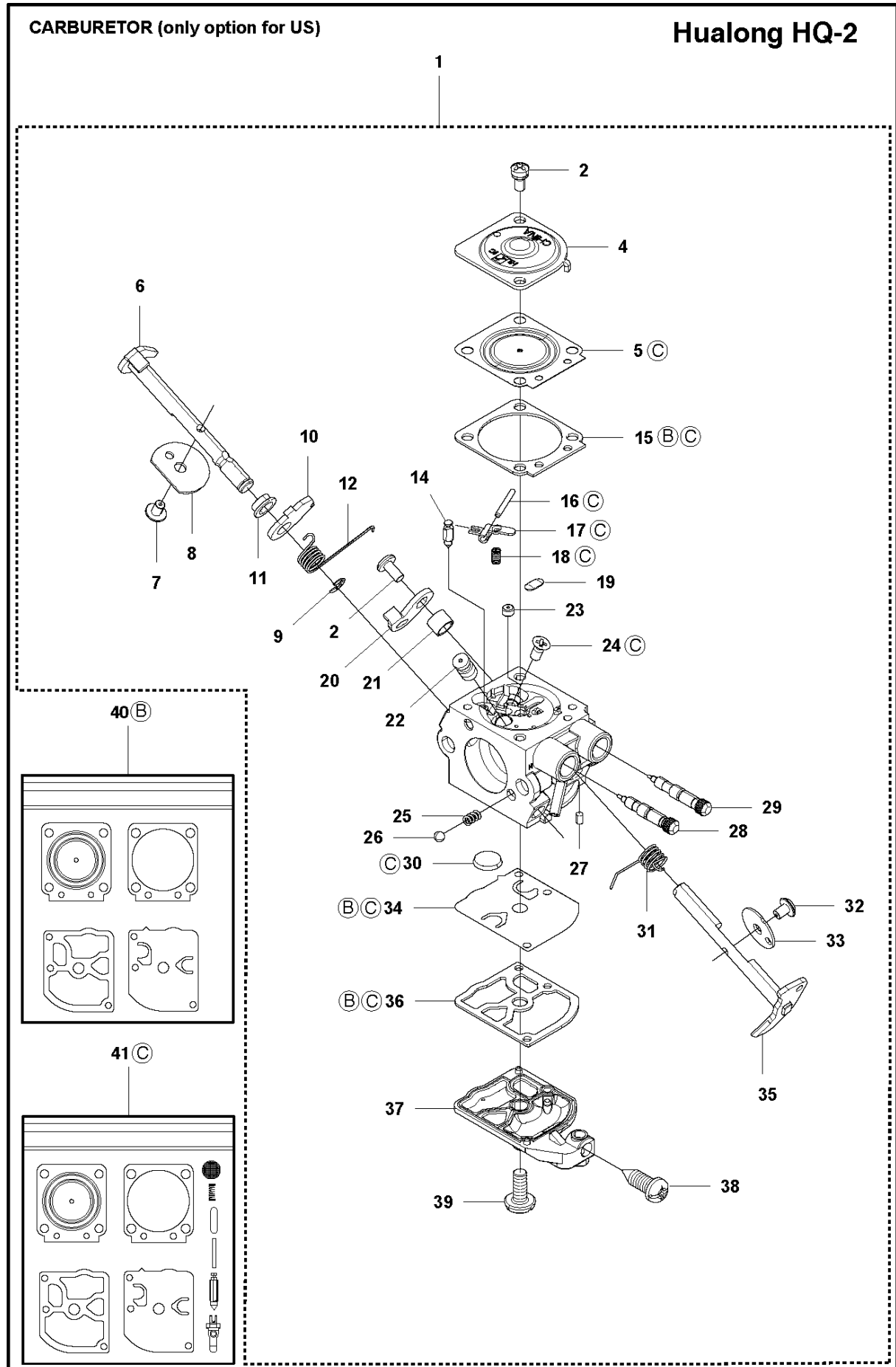
A 323C, L, LD, R, RJ, 325CX, Lx, LDx, Rx, RJx
BEVEL GEAR



BEVEL GEAR

325 RX, 2008-03

| Ref | Part No | Description | Remark | QTY | KIT |
|-----|--------------|-----------------|--------|-----|-----|
| 1 | 537 19 92-02 | BEVEL GEAR ASSY | | 1 | |
| 2 | 503 85 63-01 | NUT | | 1 | 1 |
| 3 | 537 28 56-01 | SUPPORT FLANGE | | 1 | 1 |
| 4 | 537 29 26-01 | CUP | | 1 | 1 |
| 5 | 537 23 49-01 | DRIVER ASSY | | 1 | 1 |
| 6 | 735 31 28-10 | CIRCLIP | | 1 | 1 |
| 7 | 503 25 24-01 | BALL BEARING | | 1 | 1 |
| 8 | 738 21 98-00 | BALL BEARING | | 1 | 1 |
| 9 | 503 20 15-01 | SCREW IHHM | | 1 | 1 |
| 10 | 503 20 14-12 | SCREW IHSCFMO | | 1 | 1 |
| 11 | 503 20 07-25 | SCREW IHSCFM | | 1 | 1 |
| 12 | 738 21 99-00 | BALL BEARING | | 1 | 1 |
| 13 | 738 21 99-02 | BALL BEARING | | 1 | 1 |
| 14 | 735 31 11-00 | CIRCLIP | | 1 | 1 |
| 15 | 735 31 25-10 | CIRCLIP | | 1 | 1 |
| 16 | 725 23 70-51 | SCREW | | 1 | |
| 17 | 503 20 07-12 | SCREW IHSCFM | | 1 | |
| 18 | 503 93 55-01 | CLAMP.GUARD | | 1 | |

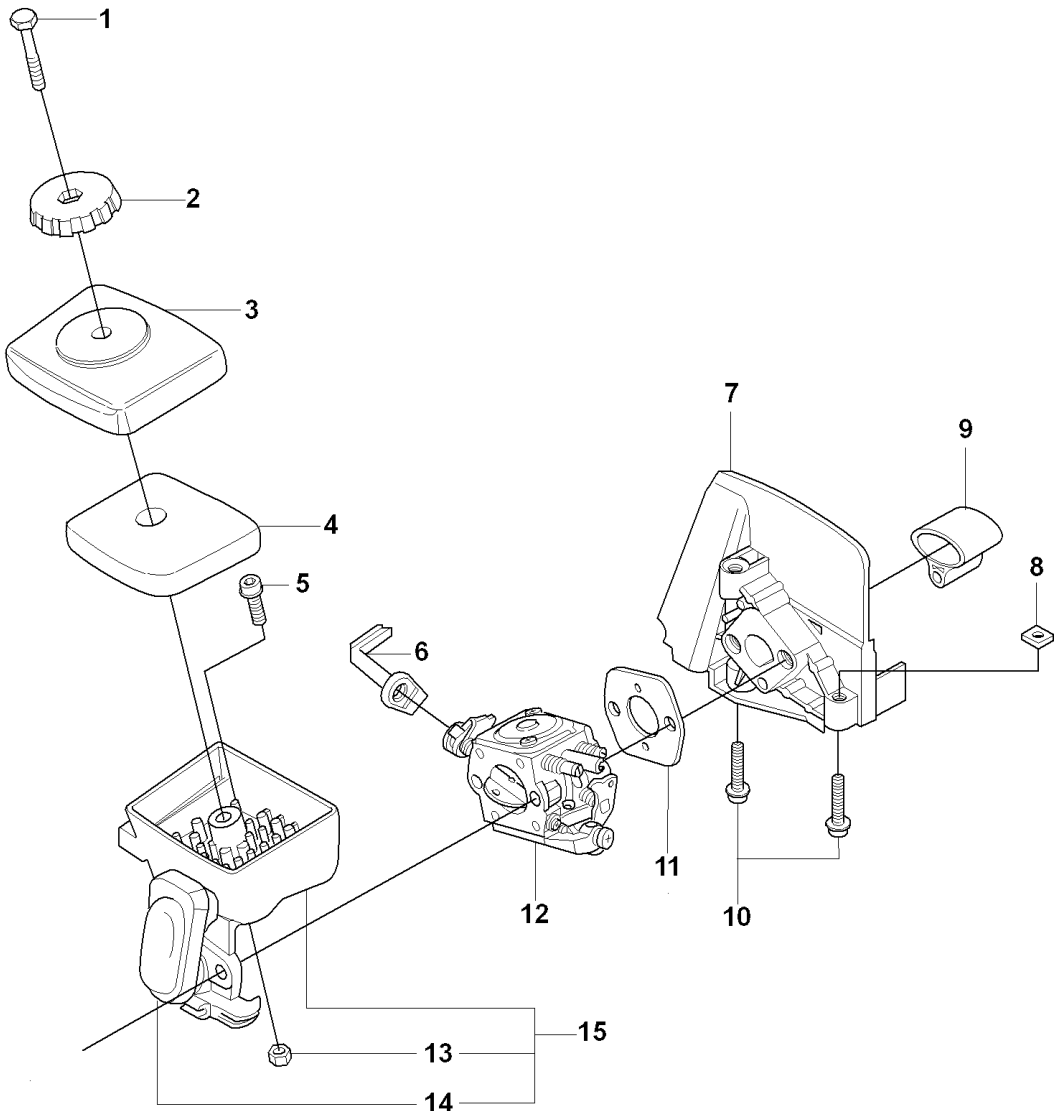


CARBURETOR

325 RX, 2008-03

| Ref | Part No | Description | Remark | QTY | KIT |
|-----|--------------|----------------|----------------------------------|-----|-----|
| 1 | 576 01 98-01 | CARBURETTOR | Hualong HQ-2, only option for US | 1 | |
| 2 | 576 02 42-01 | SCREW | | 2 | 1 |
| 4 | 576 02 36-01 | COVER | | 1 | 1 |
| 5 | 576 02 24-01 | DIAPHRAGM ASSY | | 1 | 1 |
| 6 | 576 02 30-01 | SHAFT ASSY | | 1 | 1 |
| 7 | 576 02 41-01 | SCREW | | 1 | 1 |
| 8 | 576 02 32-01 | CHOKE | | 1 | 1 |
| 9 | 576 02 48-01 | E-CLIP | | 1 | 1 |
| 10 | 576 02 31-01 | LEVER | | 1 | 1 |
| 11 | 576 02 35-01 | BUSHING | | 1 | 1 |
| 12 | 576 02 33-01 | SPRING | | 1 | 1 |
| 14 | 576 02 01-01 | VALVE | | 1 | 1 |
| 15 | 576 02 37-01 | GASKET | | 1 | 1 |
| 16 | 576 02 03-01 | PIN | | 1 | 1 |
| 17 | 576 02 04-01 | LEVER | | 1 | 1 |
| 18 | 576 02 05-01 | SPRING | | 1 | 1 |
| 19 | 576 02 06-01 | PLUG | | 1 | 1 |
| 20 | 576 02 28-01 | LEVER | | 1 | 1 |
| 21 | 576 02 29-01 | BUSHING | | 1 | 1 |
| 22 | 576 02 07-01 | MAIN NOZZLE | | 1 | 1 |
| 23 | 576 02 08-01 | CHECK VALVE | | 1 | 1 |
| 24 | 576 02 43-01 | SCREW | | 1 | 1 |
| 25 | 576 02 34-01 | SPRING | | 1 | 1 |
| 26 | 576 02 47-01 | BALL | | 1 | 1 |
| 27 | 576 02 23-01 | BAR | | 1 | 1 |
| 28 | 576 02 10-01 | NEEDLE | | 1 | 1 |
| 29 | 576 02 11-01 | NEEDLE | | 1 | 1 |
| 30 | 576 02 15-01 | SCREEN | | 1 | 1 |
| 31 | 576 02 27-01 | SPRING | | 1 | 1 |
| 32 | 576 02 40-01 | SCREW | | 1 | 1 |
| 33 | 576 02 26-01 | THROTTLE | | 1 | 1 |
| 34 | 576 02 39-01 | DIAPHRAGM PUMP | | 1 | 1 |
| 35 | 576 02 25-01 | SHAFT ASSY | | 1 | 1 |
| 36 | 576 02 38-01 | GASKET | | 1 | 1 |
| 37 | 576 02 20-01 | COVER | | 1 | 1 |
| 38 | 576 02 22-01 | SCREW | | 1 | 1 |
| 39 | 576 02 44-01 | SCREW | | 1 | 1 |
| 40 | 581 74 35-01 | GASKET KIT | | 1 | 1 |
| 41 | 581 74 37-01 | REPAIR KIT | | 1 | 1 |

J 323C, L, LD, R, RJ, 325CX, Lx, LDx, Rx, RJx
CARBURETOR & AIRFILTER

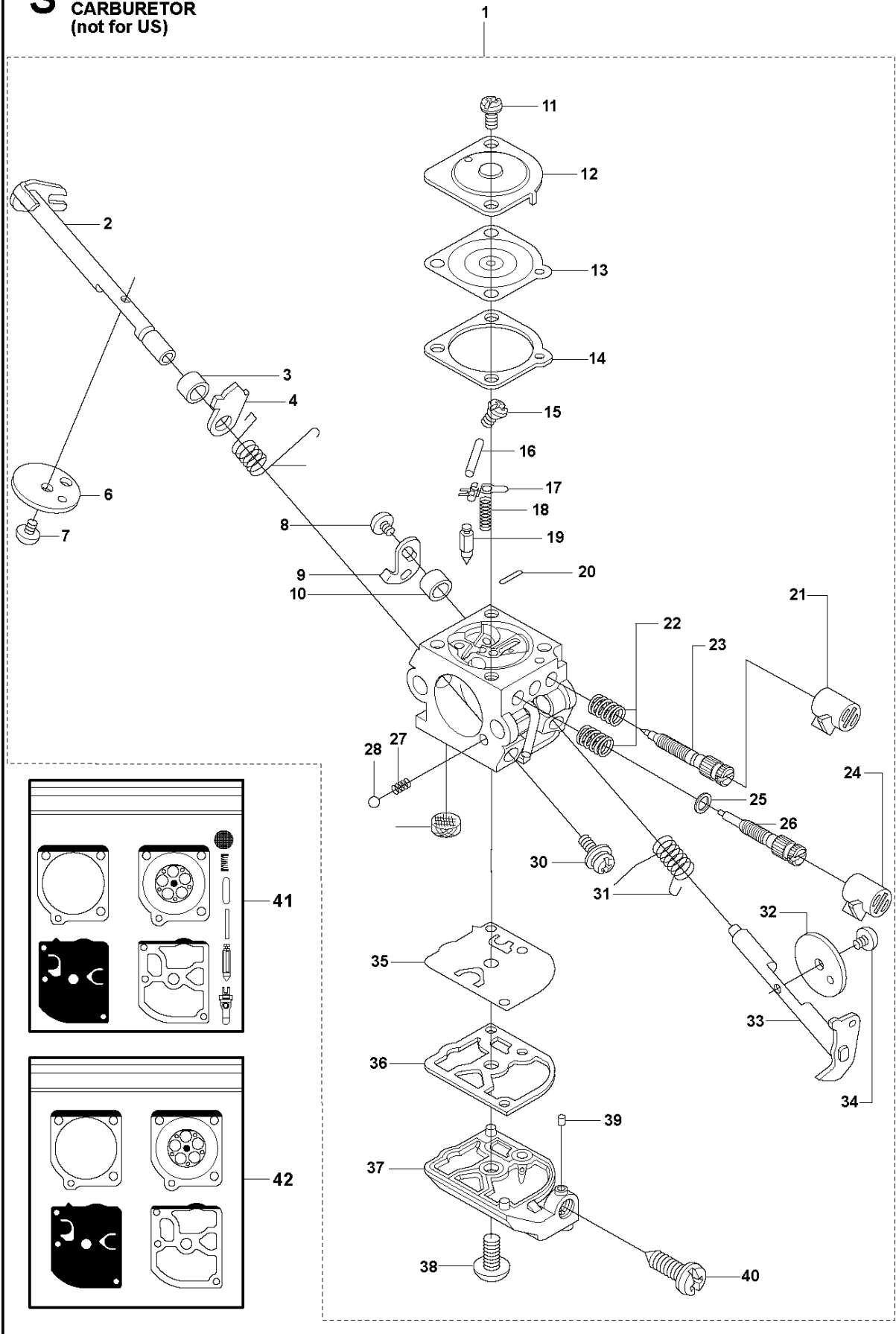


CARBURETOR & AIR FILTER

325 RX, 2008-03

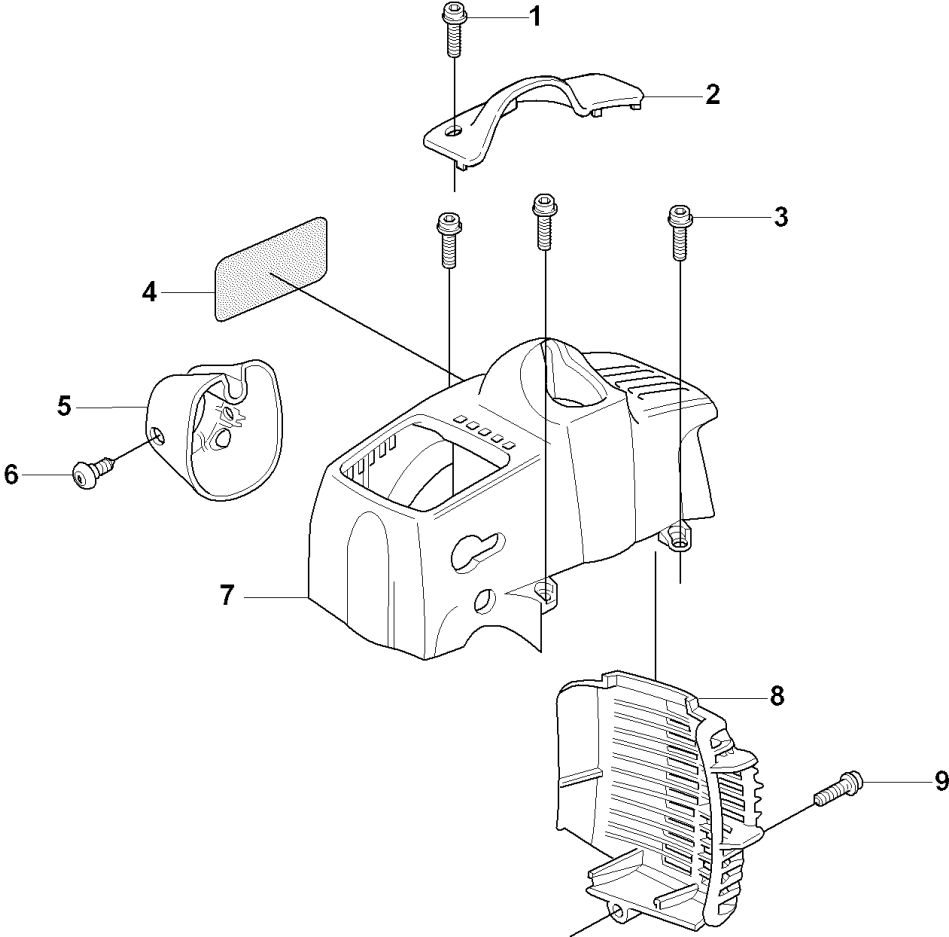
| Ref | Part No | Description | Remark | QTY | KIT |
|-----|--------------|------------------|----------------------------------|-----|-----|
| 1 | 502 20 65-03 | SCREW EHHM | | 1 | |
| 2 | 502 20 40-01 | KNOB | | 1 | |
| 3 | 503 88 80-02 | FILTER COVER | | 1 | |
| 4 | 537 18 63-01 | AIR FILTER | | 1 | |
| 5 | 503 21 75-16 | SCREW IHSCFT | | 1 | |
| 6 | 503 96 25-01 | CHOKE CONTROL | | 1 | |
| 7 | 503 91 09-01 | INSULATION WALL | | 1 | |
| 8 | 503 22 65-04 | SQUARE NUT | | 2 | |
| 9 | 503 94 26-01 | INLET PIPE | | 1 | |
| 10 | 503 20 03-25 | SCREW IHSCFM | | 2 | |
| 11 | 503 49 71-01 | GASKET | | 1 | |
| 12 | 503 28 34-01 | CARBURETTOR | Zama C1Q-EL24, NOT FOR US | 1 | |
| 12 | 576 01 98-01 | CARBURETTOR | Hualong HQ-2, only option for US | 1 | |
| 13 | 731 23 14-01 | HEXAGON NUT | | 1 | 15 |
| 14 | 503 88 79-01 | HUB CAP | | 1 | 15 |
| 15 | 503 89 03-01 | FILTERBLOCK ASSY | | 1 | |

S 323C, L, LD, R, RJ, 325CX, Lx, LDx, Rx, RJx
CARBURETOR
(not for US)



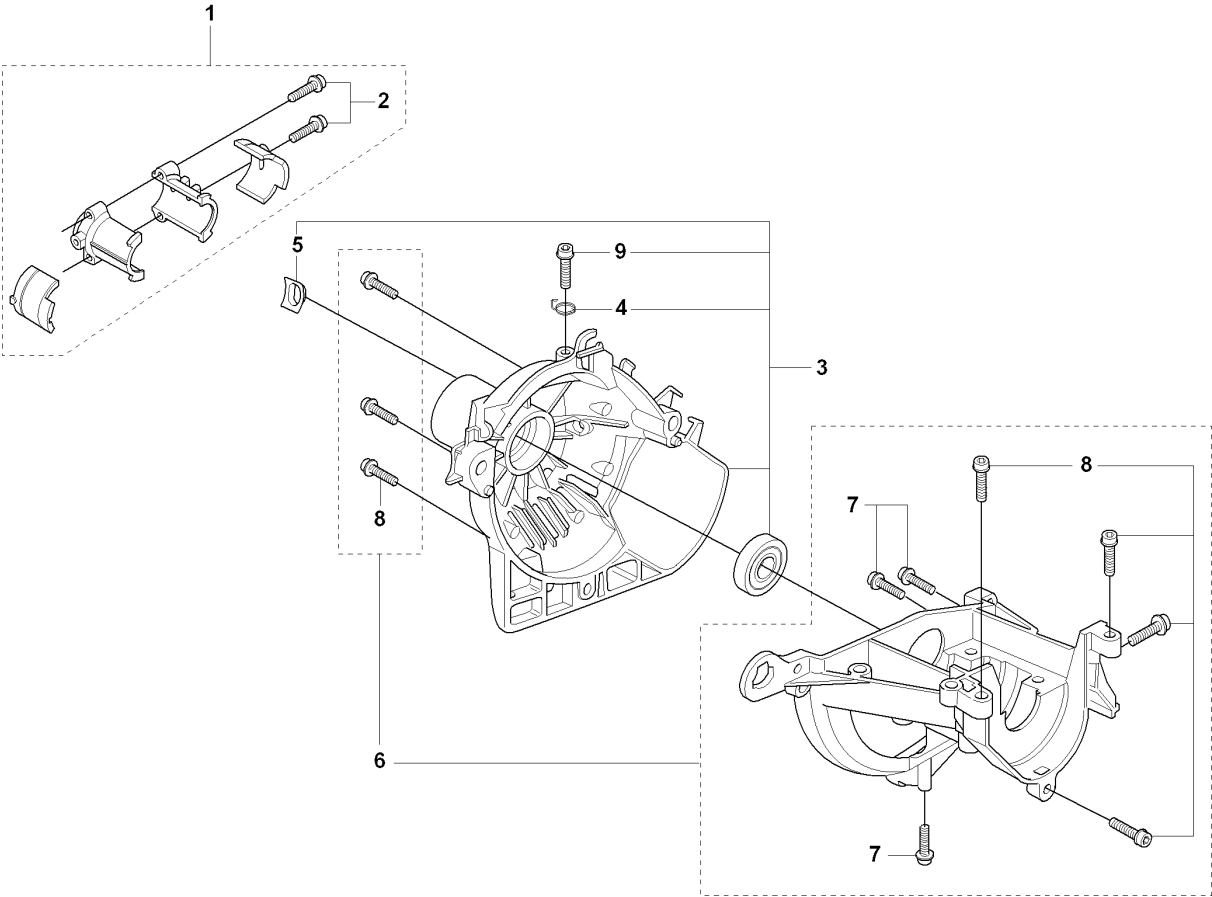
| Ref | Part No | Description | Remark | QTY | KIT |
|-----|--------------|---------------------|--------|-----|-----------|
| 1 | 503 28 34-01 | CARBURETTOR | | 0 | |
| 2 | 537 37 03-01 | VALVE | | 1 | 1 |
| 3 | 503 48 19-01 | COLLAR | | 1 | 1 |
| 4 | 537 04 90-01 | LEVER | | 1 | 1 |
| 5 | 537 02 10-01 | SPRING | | 1 | 1 |
| 6 | 537 37 03-01 | VALVE | | 1 | 1 |
| 7 | 503 48 18-01 | SCREW | | 1 | 1 |
| 8 | 503 47 90-01 | SCREW | | 1 | 1 |
| 9 | 537 01 98-01 | LEVER | | 1 | 1 |
| 10 | 503 47 89-01 | COLLAR | | 1 | 1 |
| 11 | 503 48 05-01 | SCREW | | 2 | 1 |
| 12 | 503 97 43-01 | COVER | | 1 | 1 |
| 13 | 537 04 89-01 | DIAPHRAGM | | 1 | 1, 41, 42 |
| 14 | 537 02 04-01 | GASKET | | 1 | 1, 41, 42 |
| 15 | 503 48 01-01 | SCREW | | 1 | 1 |
| 16 | 503 48 00-01 | PIN RETAINING SCREW | | 1 | 1, 41 |
| 17 | 503 66 59-01 | LEVER | | 1 | 1, 41 |
| 18 | 537 02 03-01 | SPRING | | 1 | 1, 41 |
| 19 | 503 47 97-01 | VALVE | | 1 | 1, 41 |
| 20 | 537 02 08-01 | PLUG | | 1 | 1, 41 |
| 21 | 537 02 16-01 | LIMITER CAP | | 1 | 1 |
| 22 | 503 48 08-01 | SPRING | | 1 | 1 |
| 23 | 537 12 78-01 | SCREW | | 1 | 1 |
| 24 | 537 02 16-01 | LIMITER CAP | | 1 | 1 |
| 25 | 503 97 40-01 | WASHER | | 1 | 1 |
| 26 | 537 02 06-01 | SCREW | | 1 | 1 |
| 27 | 537 01 26-01 | SPRING | | 1 | 1 |
| 28 | 537 01 25-01 | BALL | | 1 | 1 |
| 29 | 503 53 57-01 | STRAINER | | 1 | 1, 41 |
| 30 | 503 75 53-01 | SCREW | | 1 | 1 |
| 31 | 537 01 97-01 | SPRING | | 1 | 1 |
| 32 | 537 01 99-01 | VALVE | | 1 | 1 |
| 33 | 537 01 96-01 | SHAFT ASSY | | 1 | 1 |
| 34 | 503 47 92-01 | SCREW | | 1 | 1 |
| 35 | 537 02 00-01 | DIAPHRAGM PUMP | | 1 | 1, 41, 42 |
| 36 | 537 02 01-01 | GASKET PUMP | | 1 | 1, 41, 42 |
| 37 | 537 02 02-01 | COVER | | 1 | 1 |
| 38 | 503 47 96-01 | SCREW | | 1 | 1 |
| 39 | 503 48 11-01 | PIECE | | 1 | 1 |
| 40 | 537 02 07-01 | SCREW | | 1 | 1 |
| 41 | 531 00 45-53 | SET | | 1 | |
| 42 | 531 00 45-52 | GASKET KIT | | 1 | |

H 323C, L, LD, R, RJ, 325CX, Lx, LDx, Rx, RJx
COVER



| Ref | Part No | Description | Remark | QTY KIT |
|-----|--------------|----------------|--------|---------|
| 1 | 503 21 35-12 | SCREW CCRPANT | | 2 |
| 2 | 537 10 44-01 | ARM PROTECTION | | 1 |
| 3 | 503 21 68-20 | SCREW IHSCFT | | 3 |
| 3 | 503 20 03-16 | SCREW IHSCFM | | 3 |
| 4 | 537 35 33-14 | LABEL | | 1 |
| 4 | 537 35 33-16 | LABEL | | 1 |
| 4 | 537 35 33-17 | LABEL | | 1 |
| 4 | 537 35 33-15 | LABEL | | 1 |
| 4 | 537 35 33-20 | LABEL | | 1 |
| 4 | 537 35 33-24 | LABEL | | 1 |
| 4 | 537 35 33-22 | LABEL | | 1 |
| 4 | 537 35 33-23 | LABEL | | 1 |
| 4 | 537 35 33-26 | LABEL | | 1 |
| 5 | 503 97 21-01 | COVER | | 1 |
| 6 | 503 96 13-01 | SCREW | | 2 |
| 7 | 503 87 18-02 | CYLINDER COVER | | 1 |
| 8 | 537 32 08-03 | HEAT PROTECTOR | | 1 |
| 9 | 503 21 68-20 | SCREW IHSCFT | | 1 |
| 9 | 503 20 03-16 | SCREW IHSCFM | | 1 |

P 326
CRANK CASE

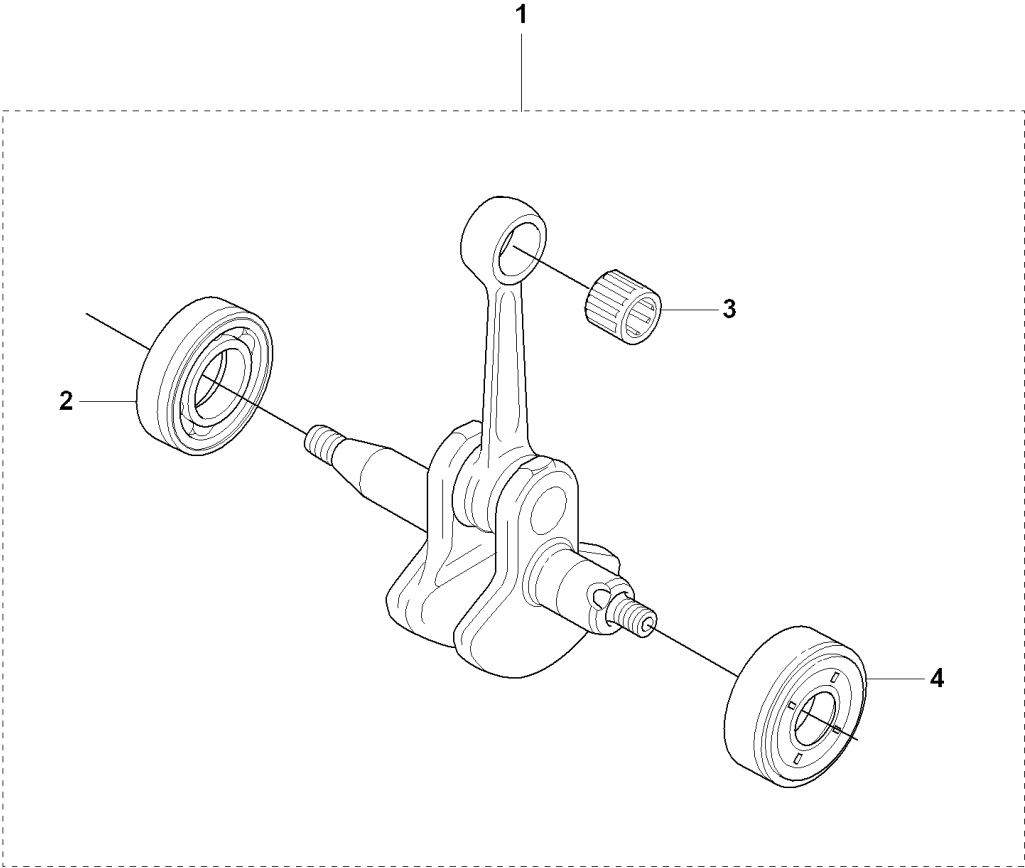


CRANKCASE & CLUTCHDRUM

325 RX, 2008-03

| Ref | Part No | Description | Remark | QTY | KIT |
|-----|--------------|--------------------|--------|-----|-----|
| 1 | 537 30 96-01 | COMPRESSION SLEEVE | | 1 | |
| 2 | 503 21 68-25 | SCREW IHSCFT | | 2 | 1 |
| 3 | 537 04 12-07 | CLUTCH COVER | | 1 | |
| 4 | 537 07 36-01 | SPRING | | 1 | 3 |
| 5 | 537 42 50-01 | PROTECTIVE PLATE | | 1 | 3 |
| 6 | 537 04 11-03 | CRANKCASE | | 1 | |
| 7 | 503 21 66-18 | SCREW IHSCFT | | 3 | 6 |
| 8 | 503 20 03-16 | SCREW IHSCFM | | 7 | 6 |
| 9 | 503 20 03-16 | SCREW IHSCFM | | 1 | 3 |

Q 323C, L, LD, R, RJ, 325CX, Lx, LDx, Rx, RJx
CRANK SHAFT

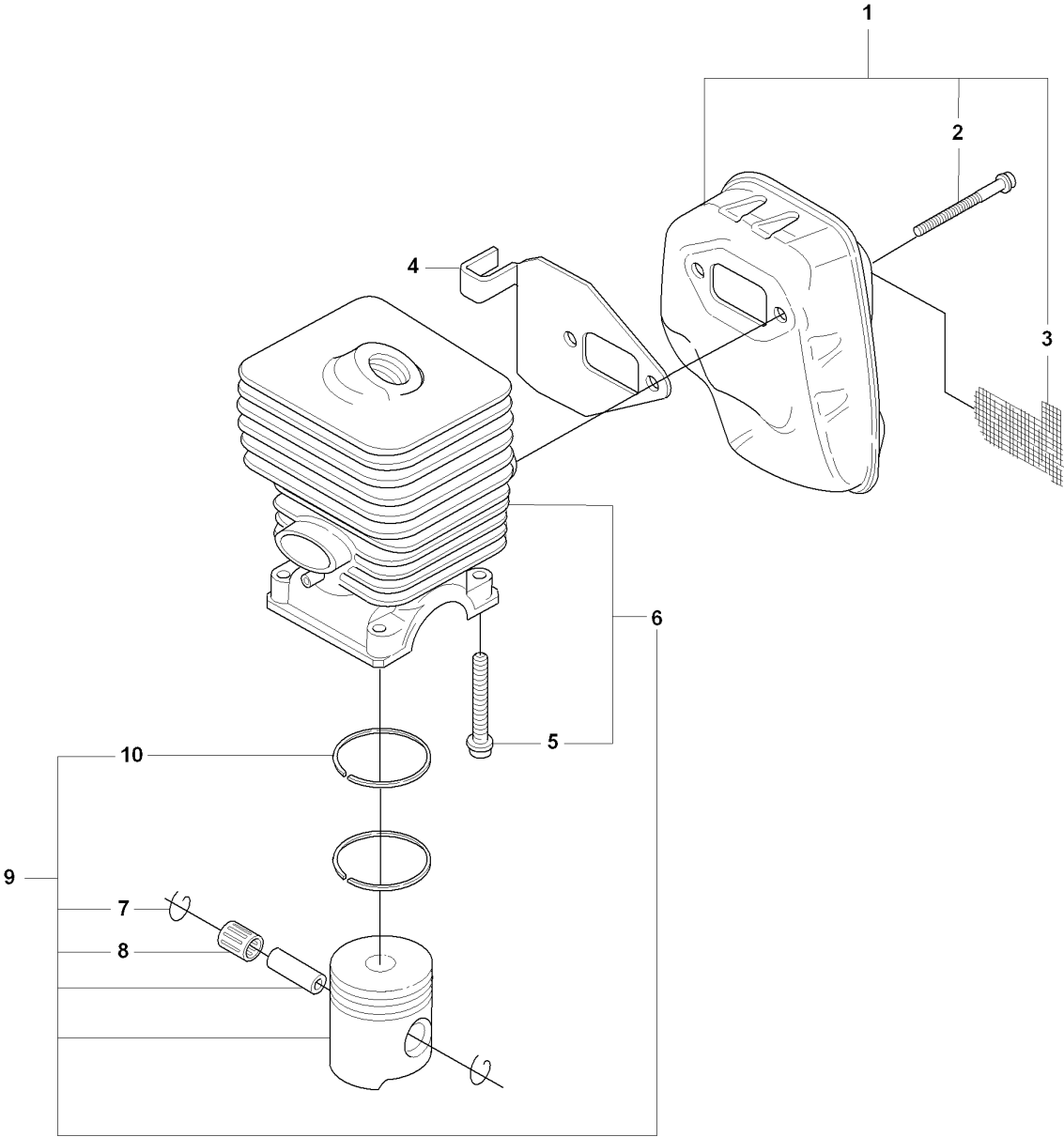


CRANKSHAFT

325 RX, 2008-03

| Ref | Part No | Description | Remark | QTY KIT | |
|-----|--------------|-----------------|--------|---------|---|
| 1 | 503 85 24-75 | CRANKSHAFT ASSY | | | |
| 2 | 503 94 02-03 | BEARING CAGE | | 1 | 1 |
| 3 | 503 71 22-01 | BEARING | | 1 | 1 |
| 4 | 503 94 02-03 | BEARING CAGE | | 1 | 1 |

N 323C, L, LD, R, RJ, 325CX, Lx, LDx, Rx, RJx
CYLINDER PISTON & MUFFLER

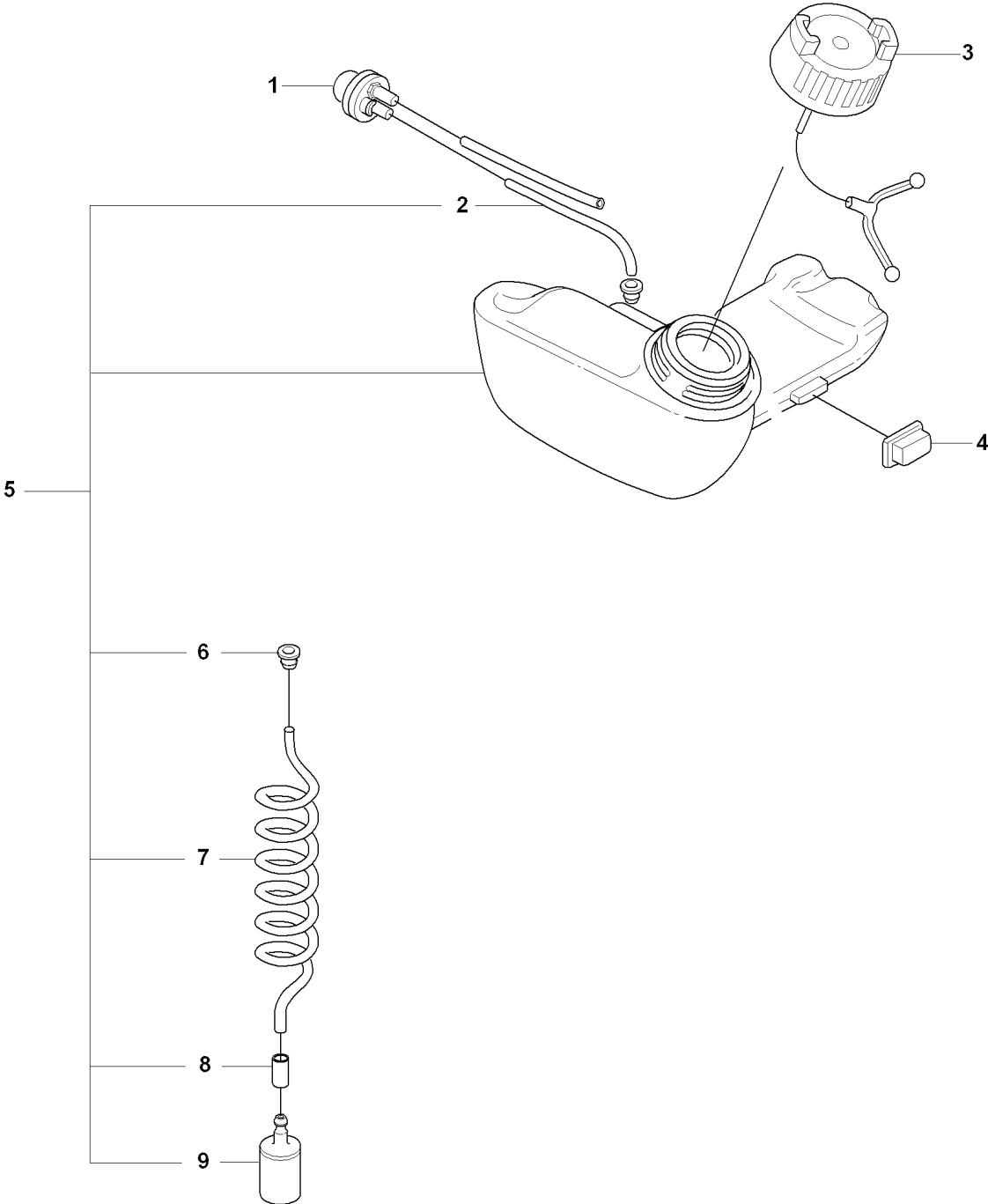


CYLINDER, PISTON & MUFFLER

325 RX, 2008-03

| Ref | Part No | Description | Remark | QTY | KIT |
|-----|--------------|-----------------------|--------|-----|-----|
| 1 | 537 16 19-01 | MUFFLER ASSY | | 1 | |
| 2 | 502 07 81-01 | SCREW EHHFM | | 2 | 1 |
| 3 | 503 87 17-01 | SPARK ARRESTOR SCREEN | | 1 | 1 |
| 4 | 537 01 41-01 | GASKET | | 1 | |
| 5 | 503 20 07-35 | SCREW IHSCFM | | 4 | 6 |
| 6 | 537 03 20-08 | CYLINDER | | 1 | |
| 7 | 737 44 08-00 | CIRCLIP | | 1 | 9 |
| 8 | 503 71 22-01 | BEARING | | 1 | 9 |
| 9 | 537 40 59-02 | PISTON | | 1 | 6 |
| 10 | 537 40 62-01 | PISTON RING | | 2 | 9 |

L 323C, L, LD, R, RJ, 325CX, Lx, LDx, Rx, RJx
FUEL TANK

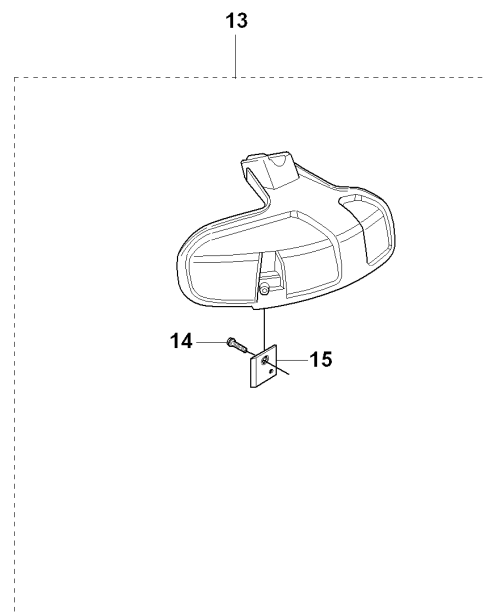
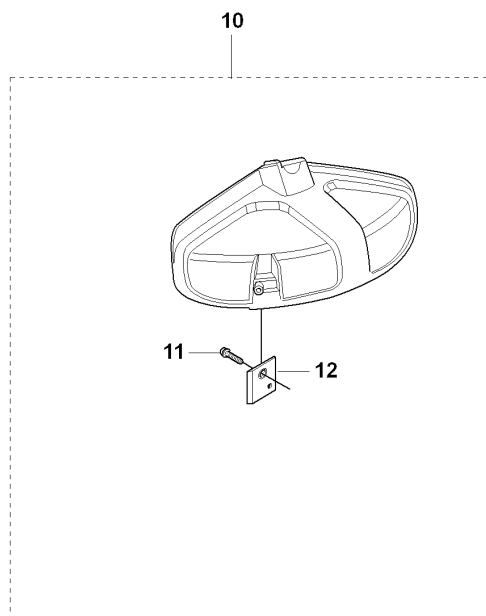
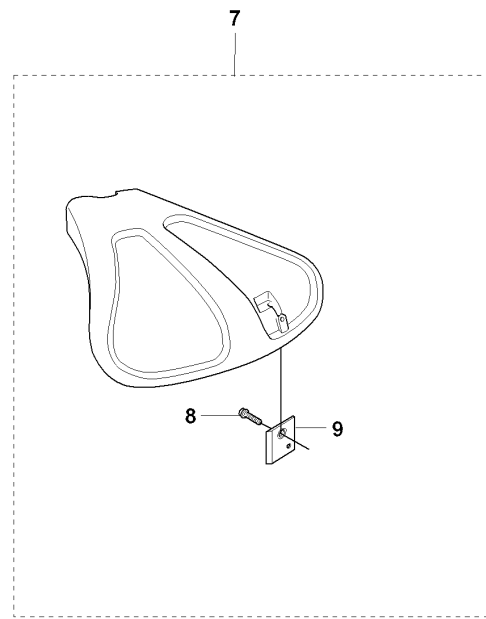
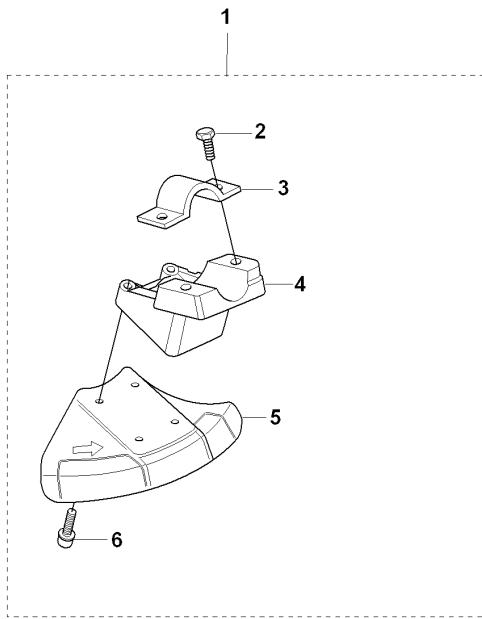


FUEL TANK

325 RX, 2008-03

| Ref | Part No | Description | Remark | QTY | KIT |
|-----|--------------|----------------|--------|-----|-----|
| 1 | 503 93 66-01 | PRIMER HOUSING | | 1 | |
| 2 | 537 04 24-01 | FUEL HOSE | | 2 | 5 |
| 3 | 503 91 18-02 | TANK CAP | | 1 | |
| 4 | 503 91 10-01 | SUSPENSION | | 4 | |
| 5 | 537 06 86-02 | FUEL TANK | | 1 | |
| 6 | 503 73 58-01 | BUSHING | | 2 | 5 |
| 7 | 544 32 50-01 | FUEL HOSE | | 1 | 5 |
| 8 | 504 02 24-01 | HOSE CLAMP | | 1 | 5 |
| 9 | 503 44 32-01 | FILTER | | 1 | 5 |

R 323C, L, LD, R, RJ, 325CX, Lx, LDx, Rx, RJx
ACCESSORIES

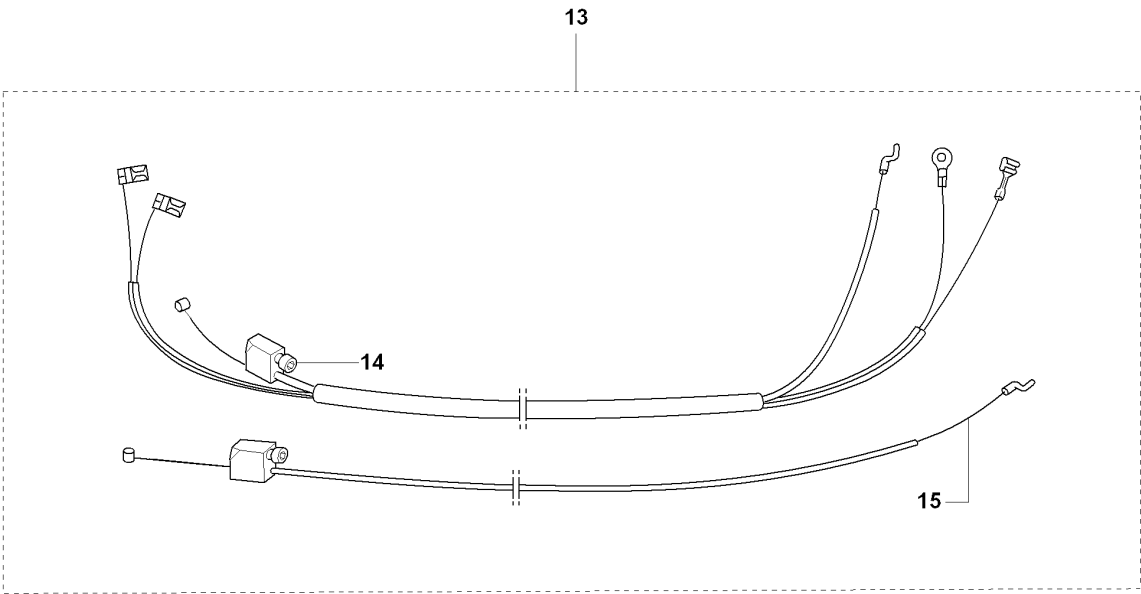
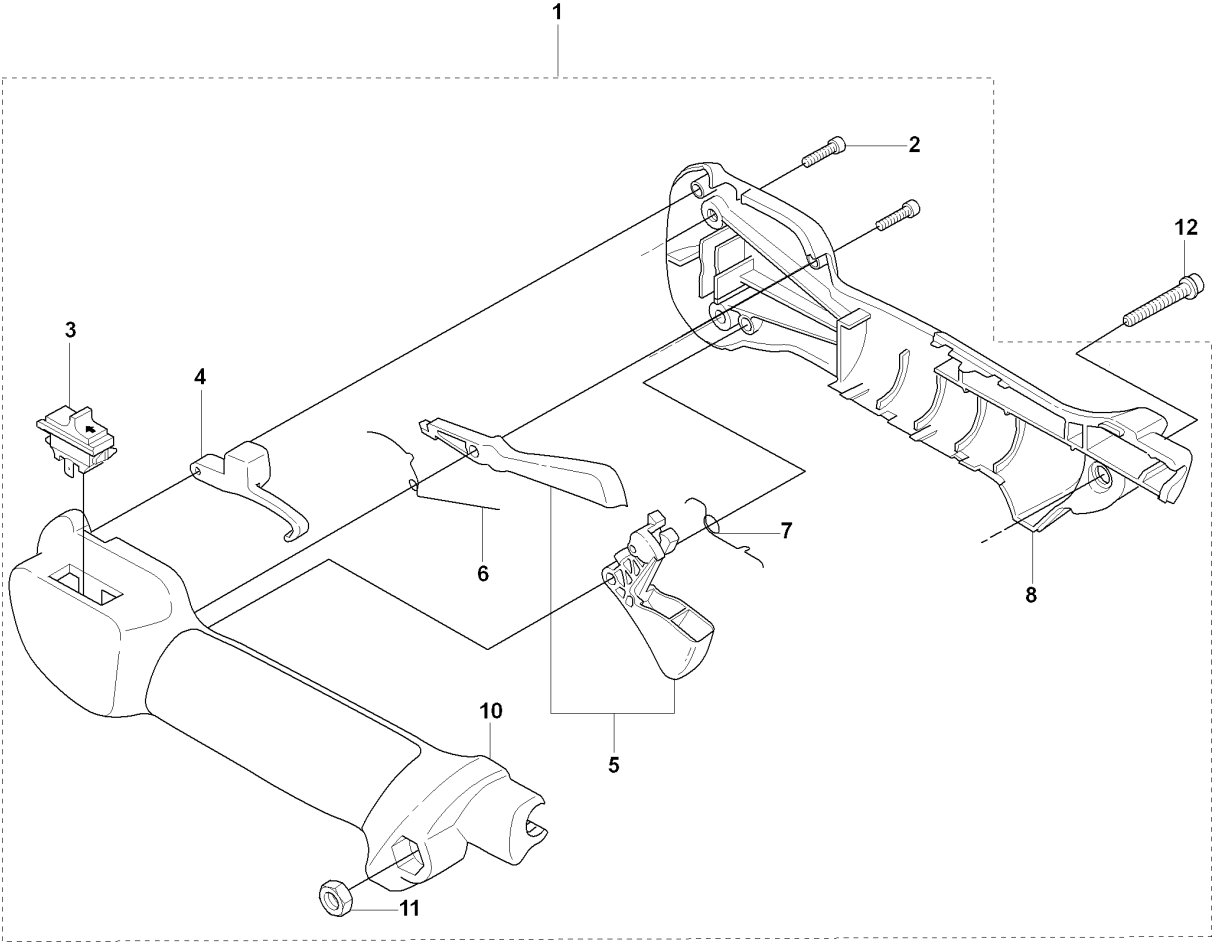


GUARDS

325 RX, 2008-03

| Ref | Part No | Description | Remark | QTY | KIT |
|-----|--------------|-----------------|--------|-----|-----|
| 1 | 537 29 95-01 | SAW BLADE GUARD | | 1 | |
| 2 | 725 23 68-71 | SCREW EHHM | | 2 | 1 |
| 3 | 537 04 75-01 | CLAMP | | 1 | 1 |
| 4 | 537 29 34-01 | ADAPTER | | 1 | 1 |
| 5 | 502 27 22-01 | SAW BLADE GUARD | | 1 | 1 |
| 6 | 503 21 75-16 | SCREW IHSCFT | | 4 | 1 |
| 7 | 537 07 67-01 | TRIMMER GUARD | | 1 | |
| 8 | 503 21 07-16 | SCREW IHSCFT | | 1 | 7 |
| 9 | 503 79 88-01 | BLADE | | 1 | 7 |
| 10 | 503 93 42-02 | COMBI GUARD | | 1 | |
| 11 | 503 21 07-16 | SCREW IHSCFT | | 1 | 10 |
| 12 | 503 79 88-01 | BLADE | | 1 | 10 |
| 13 | 503 97 71-01 | TRIMMER GUARD | | 1 | |
| 14 | 503 21 07-16 | SCREW IHSCFT | | 1 | 13 |
| 15 | 503 79 88-01 | BLADE | | 1 | 13 |

G 323R, 325Rx
THROTTLE CONTROLS



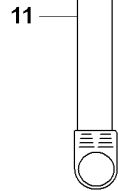
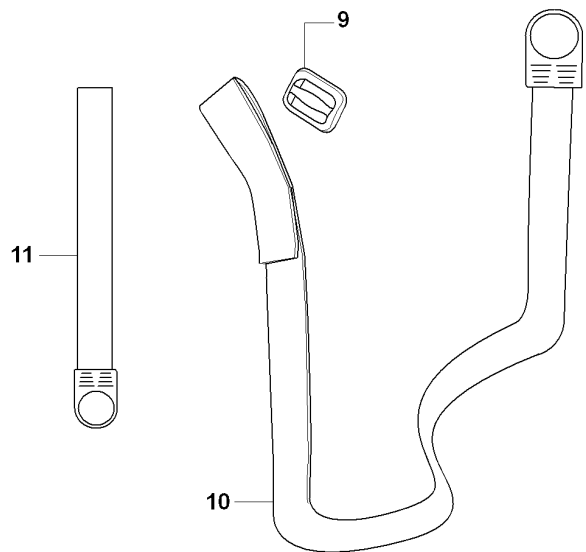
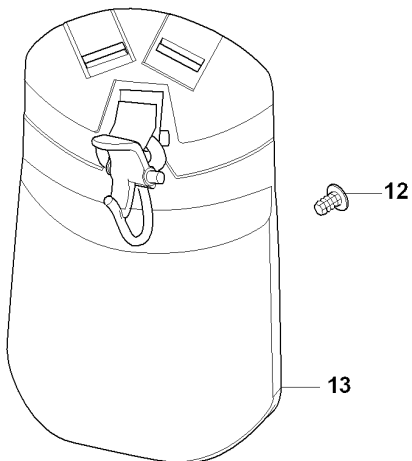
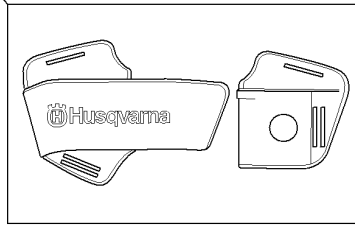
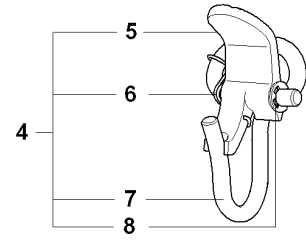
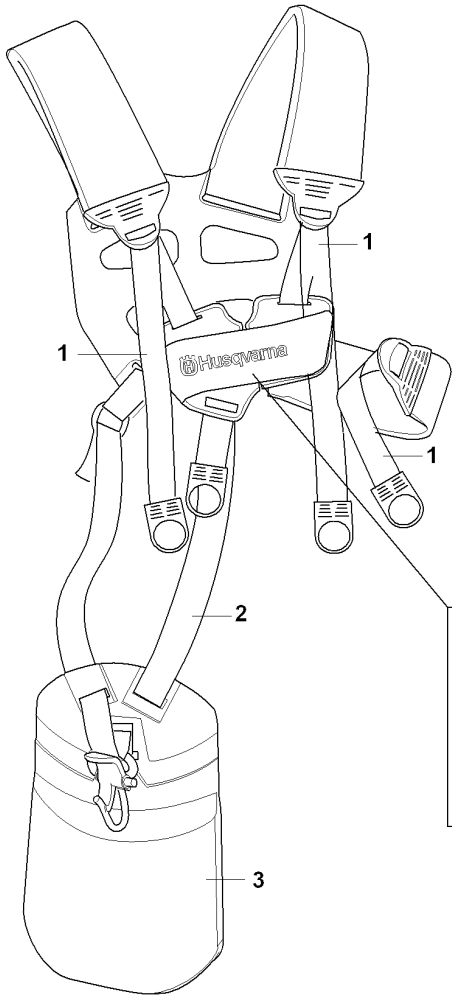
HANDLE & CONTROLS

325 RX, 2008-03

| Ref | Part No | Description | Remark | QTY | KIT |
|-----|--------------|----------------------|--------|-----|-----|
| 1 | 537 42 45-13 | HANDLE SYSTEM ASSY | | 1 | |
| 2 | 503 21 66-16 | SCREW IH SCT | | 2 | 1 |
| 3 | 537 41 90-01 | SWITCH | | 1 | 1 |
| 4 | 537 16 07-01 | STARTER THROTTLE LOC | | 1 | 1 |
| 5 | 506 49 77-01 | THROTTLE CONTROL | | 1 | 1 |
| 6 | 537 17 43-01 | SPRING | | 1 | 1 |
| 7 | 537 17 42-01 | SPRING THROTTLE TRIG | | 1 | 1 |
| 8 | 537 16 03-02 | HANDLE HALF RIGHT | | 1 | 1 |
| 10 | 537 16 02-09 | HANDLE HALF LEFT | | 1 | 1 |
| 11 | 503 22 10-13 | HEXAGON NUT | | 1 | 1 |
| 12 | 503 20 07-35 | SCREW IH SCFM | | 1 | |
| 13 | 537 42 44-01 | WIRING ASSY | | 1 | |
| 14 | 503 21 66-16 | SCREW IH SCT | | 1 | 13 |
| 15 | 537 17 39-01 | THROTTLE WIRE ASSY | | 1 | 13 |

U 323C, L, LD, R, RJ, 325CX, Lx, LDx, Rx, RJx
HARNESS

Duo Balance

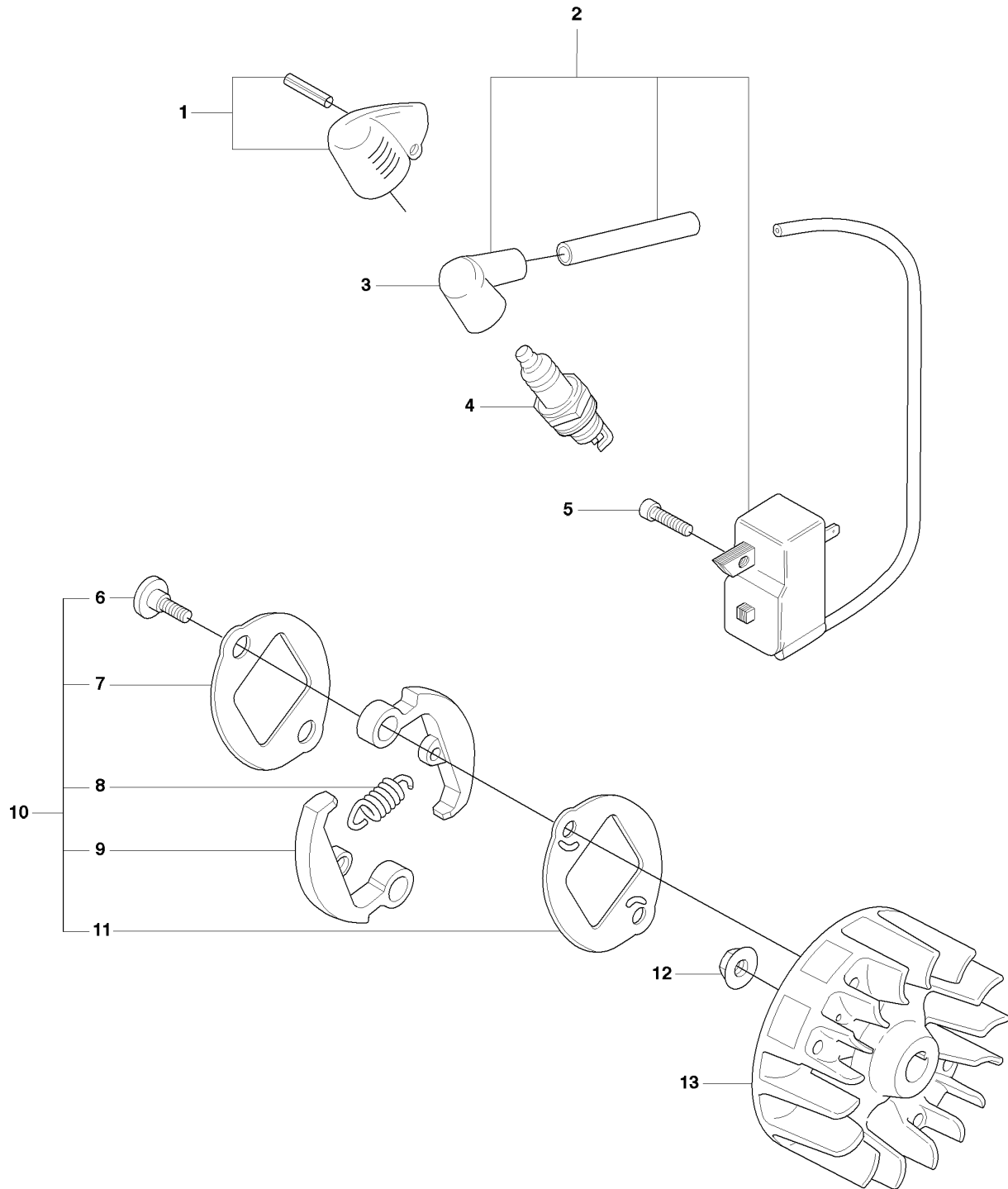


HARNES

325 RX, 2008-03

| Ref | Part No | Description | Remark | QTY KIT |
|-----|--------------|-------------|--------|---------|
| 1 | 503 99 61-01 | BAND | | |
| 2 | 503 99 61-03 | BAND | | |
| 3 | 537 27 59-01 | HIP PAD | | |
| 4 | 502 02 28-01 | HOOK | | |
| 5 | 502 02 30-02 | LOCK | | 4 |
| 6 | 502 02 38-01 | SPRING | | 4 |
| 7 | 502 02 29-02 | HOOK | | 4 |
| 8 | 735 31 09-20 | E-CLIP | | 4 |
| 9 | 537 11 35-01 | RETAINER | | |
| 10 | 503 99 61-03 | BAND | | |
| 11 | 503 99 61-01 | BAND | | 3 |
| 12 | 537 17 54-01 | HIP PAD | | 3 |
| 13 | 537 27 59-01 | HIP PAD | | |

M 323C, L, LD, R, RJ, 325CX, Lx, LDx, Rx, RJx
IGNITION & CLUTCH

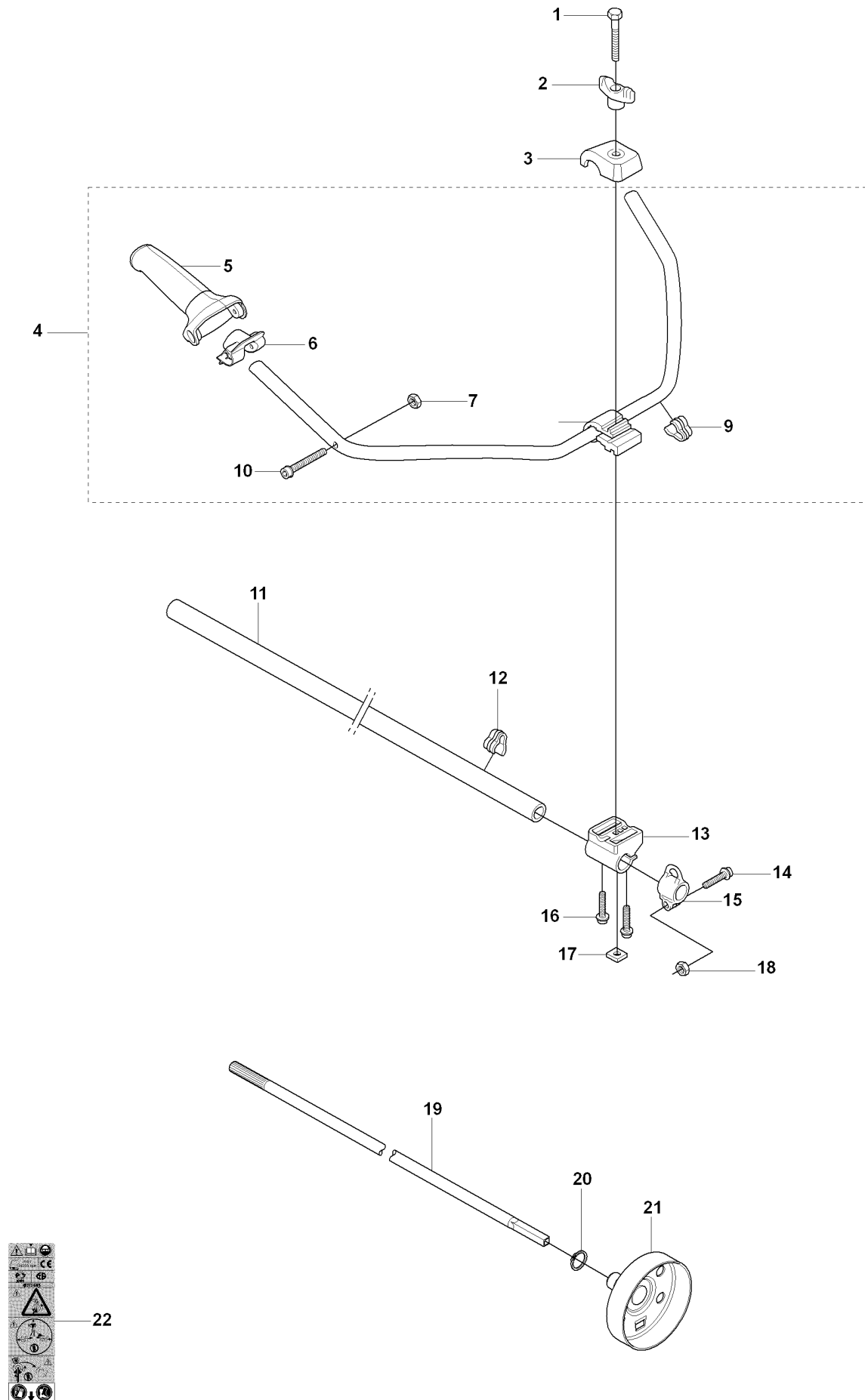


IGNITION SYSTEM & CLUTCH

325 RX, 2008-03

| Ref | Part No | Description | Remark | QTY | KIT |
|-----|--------------|---------------------|--------|-----|-----|
| 1 | 537 04 58-01 | COVER | | 1 | |
| 2 | 537 41 87-01 | ELECTRONIC MODULE | | 1 | |
| 3 | 537 23 96-01 | SPARK PLUG CAP | | 1 | 2 |
| 4 | 503 23 51-08 | SPARK PLUG | | 1 | |
| 4 | 503 23 51-11 | SPARK PLUG | | 1 | |
| 5 | 503 21 71-16 | SCREW IHSCT | | 2 | |
| 6 | 503 84 29-02 | SCREW | | 1 | 10 |
| 7 | 537 04 67-02 | WASHER | | 1 | 10 |
| 8 | 503 81 60-01 | CLUTCH SPRING | | 1 | 10 |
| 9 | 503 84 28-01 | CLUTCH SHOE | | 2 | 10 |
| 10 | 537 03 22-01 | CLUTCH ASSY | | 1 | |
| 11 | 537 04 68-02 | WASHER | | 1 | 10 |
| 12 | 731 71 16-51 | HEXAGON NUT FLANGED | | 1 | |
| 13 | 537 24 96-02 | FLYWHEEL | | 1 | |

E 323R, 325Rx
SHAFT & HANDLE

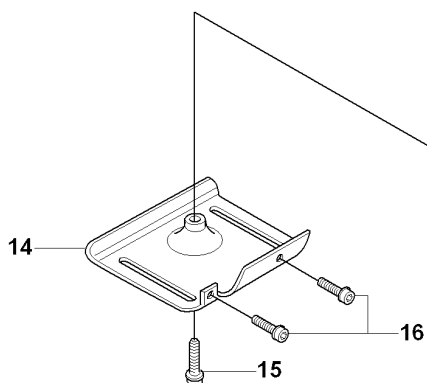
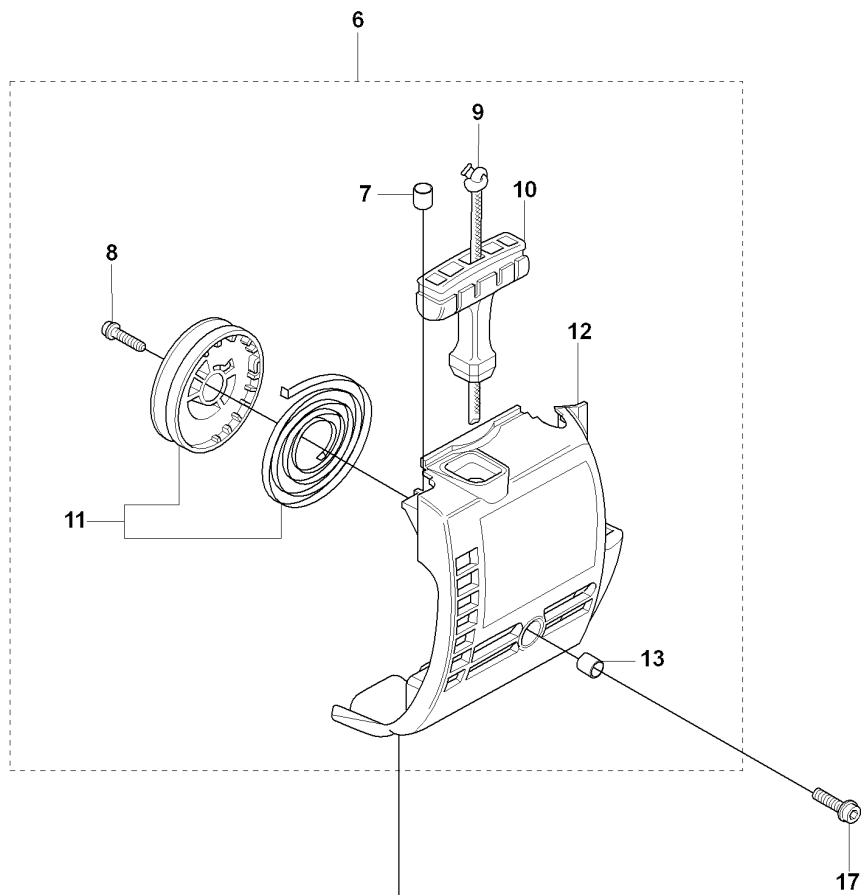
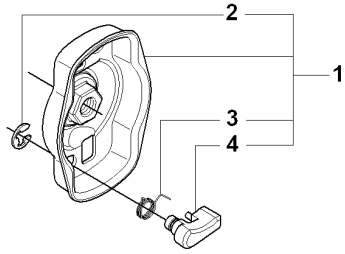


SHAFT & HANDLE

325 RX, 2008-03

| Ref | Part No | Description | Remark | QTY | KIT |
|-----|--------------|-------------------|--------|-----|-----|
| 1 | 725 23 86-51 | SCREW EHHM | | 1 | |
| 2 | 502 20 38-01 | KNOB | | 1 | |
| 3 | 503 72 29-01 | COVER HANDLE BAR | | 1 | |
| 4 | 503 72 43-09 | HANDLEBAR | | 1 | |
| 5 | 537 17 28-01 | HANDLE | | 1 | 4 |
| 6 | 537 17 29-01 | COVER | | 1 | 4 |
| 7 | 731 23 14-01 | HEXAGON NUT | | 1 | 4 |
| 8 | 503 75 00-01 | HANDLEBAR BRACKET | | 1 | 4 |
| 9 | 502 21 12-01 | STAPLE | | 1 | 4 |
| 10 | 503 20 02-45 | SCREW IHSCFM | | 1 | 4 |
| 11 | 503 88 88-01 | TUBE | | 1 | |
| 12 | 502 21 12-01 | STAPLE | | 1 | |
| 13 | 503 88 23-01 | BRACKET | | 1 | |
| 14 | 503 20 07-16 | SCREW IHSCFM | | 1 | |
| 15 | 503 94 10-01 | HOOK | | 1 | |
| 16 | 503 21 75-25 | SCREW IHSCFT | | 2 | |
| 17 | 502 19 71-01 | SQUARE NUT | | 1 | |
| 18 | 731 23 14-01 | HEXAGON NUT | | 1 | |
| 19 | 537 23 48-01 | DRIVE SHAFT | | 1 | |
| 20 | 735 31 12-00 | CIRCLIP | | 1 | |
| 21 | 537 23 75-01 | CLUTCH DRUM ASSY | | 1 | |
| 22 | 537 29 48-01 | LABEL | | 1 | |

K2 323C, L, LD, R, RJ, 325CX, Lx, LDx, Rx, RJx
STARTER

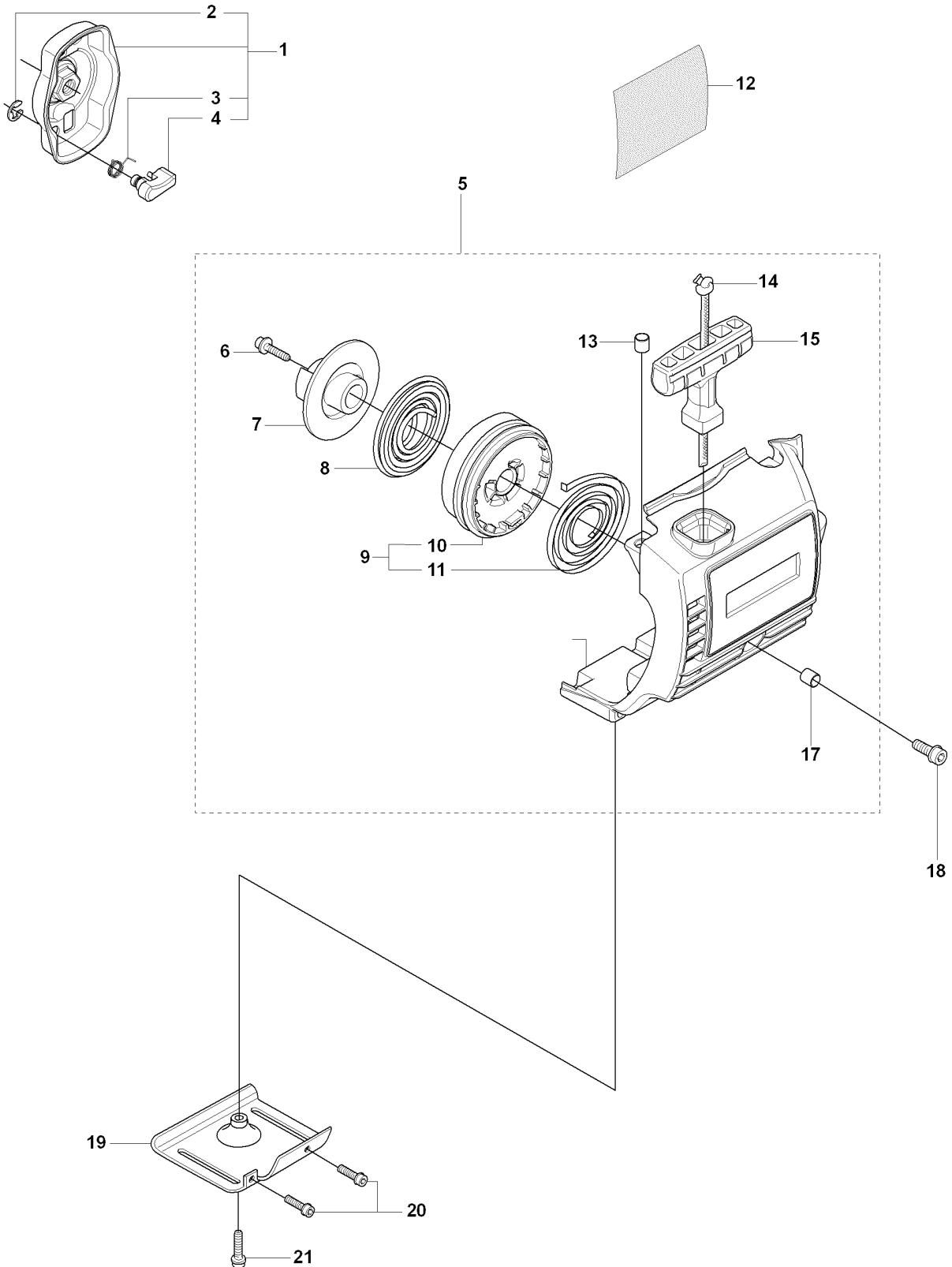


STARTER

325 RX, 2008-03

| Ref | Part No | Description | Remark | QTY KIT | |
|-----|--------------|---------------------|--------|---------|---|
| 1 | 503 87 33-05 | STARTER PAWL BRIDGE | | 2 | |
| 2 | 735 31 08-20 | E-CLIP | | 1 | 1 |
| 3 | 503 87 36-01 | SPRING | | 2 | 1 |
| 4 | 503 87 35-02 | STARTER PAWL | | 2 | 1 |
| 6 | 503 85 28-06 | STARTER ASSY | | | |
| 7 | 537 37 93-02 | SPACING SLEEVE | | 2 | 6 |
| 8 | 503 21 77-16 | SCREW IHST | | 1 | 6 |
| 9 | 503 85 89-01 | STARTER CORD | | 1 | 6 |
| 10 | 537 00 84-01 | STARTER HANDLE | | 1 | 6 |
| 11 | 503 96 49-01 | STARTER PULLEY | | 1 | 6 |
| 12 | 503 85 87-02 | STARTER HOUSING | | 1 | 6 |
| 13 | 537 37 93-02 | SPACING SLEEVE | | 1 | 6 |
| 14 | 537 03 41-01 | PROTECTIVE PLATE | | 1 | |
| 15 | 503 20 03-16 | SCREW IHSCFM | | 1 | |
| 16 | 503 21 66-18 | SCREW IHST | | 1 | |
| 17 | 503 20 03-16 | SCREW IHSCFM | | 2 | |

K1 323C, L, LD, R, RJ, 325CX, Lx, LDx, Rx, RJx
STARTER



STARTER

325 RX, 2008-03

| Ref | Part No | Description | Remark | QTY | KIT |
|-----|--------------|---------------------|--------|-----|------|
| 1 | 503 87 33-05 | STARTER PAWL BRIDGE | | 1 | |
| 2 | 735 31 08-20 | E-CLIP | | 2 | 1 |
| 3 | 503 87 36-01 | SPRING | | 2 | 1 |
| 4 | 503 87 35-02 | STARTER PAWL | | 2 | 1 |
| 5 | 544 07 11-02 | STARTER ASSY | | 1 | |
| 6 | 503 21 77-25 | SCREW IHSCFT | | 1 | 5 |
| 7 | 544 03 87-02 | DRIVER | | 1 | 5 |
| 8 | 544 03 88-02 | SPRING | | 1 | 5 |
| 9 | 544 16 65-01 | STARTER PULLEY ASSY | | 1 | 5 |
| 10 | 544 03 86-01 | STARTER PULLEY | | 1 | 5, 9 |
| 11 | 503 85 90-01 | RECOIL SPRING | | 1 | 5, 9 |
| 12 | 537 35 34-04 | LABEL | | 1 | |
| 12 | 537 35 34-05 | LABEL | | 1 | |
| 12 | 537 35 34-07 | LABEL | | 1 | |
| 12 | 537 35 34-08 | LABEL | | 1 | |
| 12 | 537 35 34-14 | LABEL | | 1 | |
| 12 | 537 35 34-16 | LABEL | | 1 | |
| 12 | 537 35 34-12 | LABEL | | 1 | |
| 12 | 537 35 34-13 | LABEL | | 1 | |
| 12 | 537 35 34-18 | LABEL | | 1 | |
| 13 | 537 37 93-02 | SPACING SLEEVE | | 2 | |
| 14 | 503 85 89-01 | STARTER CORD | | 1 | 5 |
| 15 | 537 00 84-01 | STARTER HANDLE | | 1 | 5 |
| 16 | 537 41 16-01 | STARTER HOUSING | | 1 | 5 |
| 17 | 537 37 93-02 | SPACING SLEEVE | | 1 | 5 |
| 18 | 503 21 68-20 | SCREW IHSCFT | | 1 | |
| 18 | 503 20 03-16 | SCREW IHSCFM | | 1 | |
| 19 | 537 03 41-01 | PROTECTIVE PLATE | | 1 | |
| 20 | 503 21 66-18 | SCREW IHSCFT | | 1 | |
| 21 | 503 20 03-16 | SCREW IHSCFM | | 1 | |