

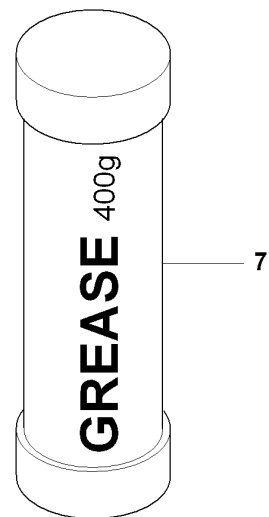
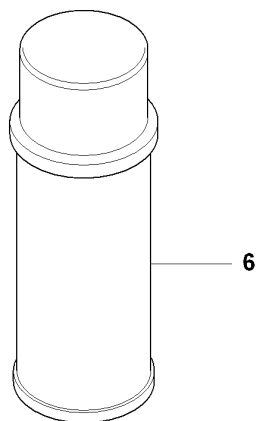
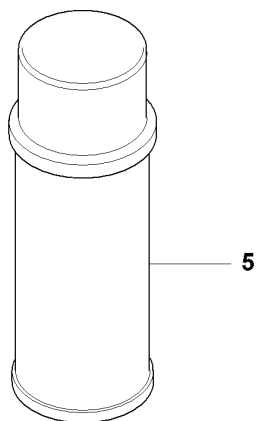
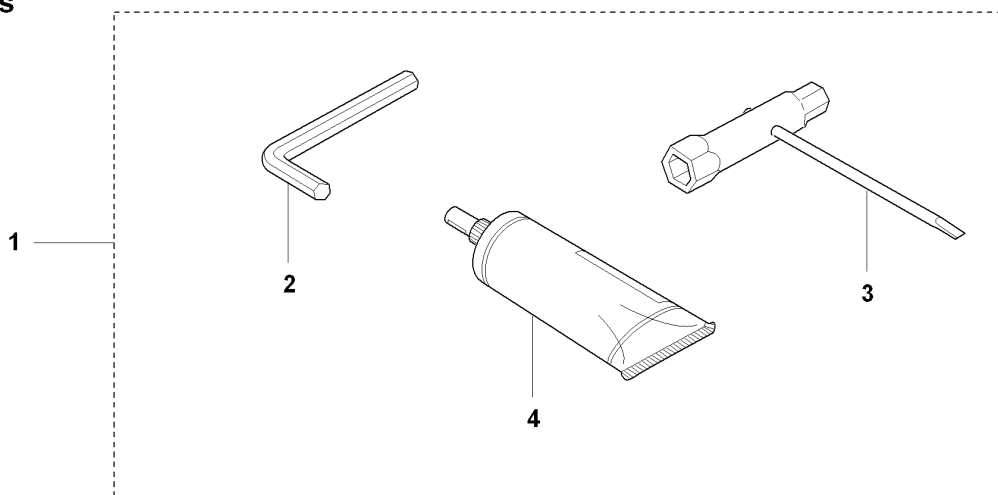


# SPARE PARTS LIST

HEDGE TRIMMERS/POLE HEDGE  
TRIMMERS

326 HD60 X-SERIES, 2008-06

**N** Accessories  
Zubehöre  
Accessoires  
Acessorios  
Tillbehör



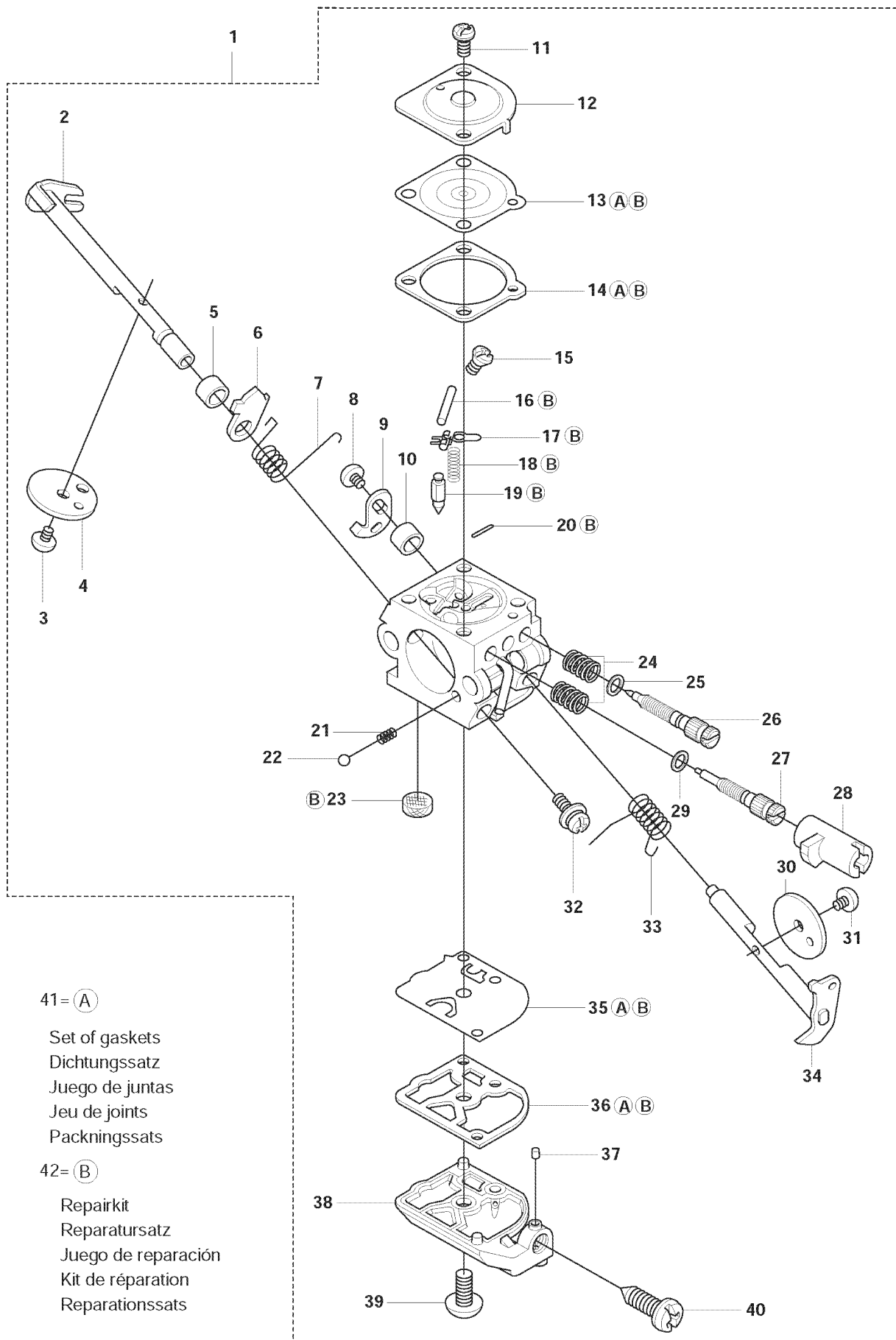
## ACCESSORIES

326 HD60 X-SERIES, 2008-06

Ref	Part No	Description	Remark	QTY KIT
1	502 21 60-09	ACCESSORY BAG		1
2	503 55 86-01	SPANNER		1
3	501 69 17-01	COMBINATION WRENCH		1
4	503 98 96-02	GREASE		1
5	531 00 75-13	GREASE		1
6	531 00 75-12	GREASE		1
7	531 00 92-05	GREASE		1

**M**

**ZAMA C1Q - EL 25**



41= (A)  
 Set of gaskets  
 Dichtungssatz  
 Juego de juntas  
 Jeu de joints  
 Packningssats

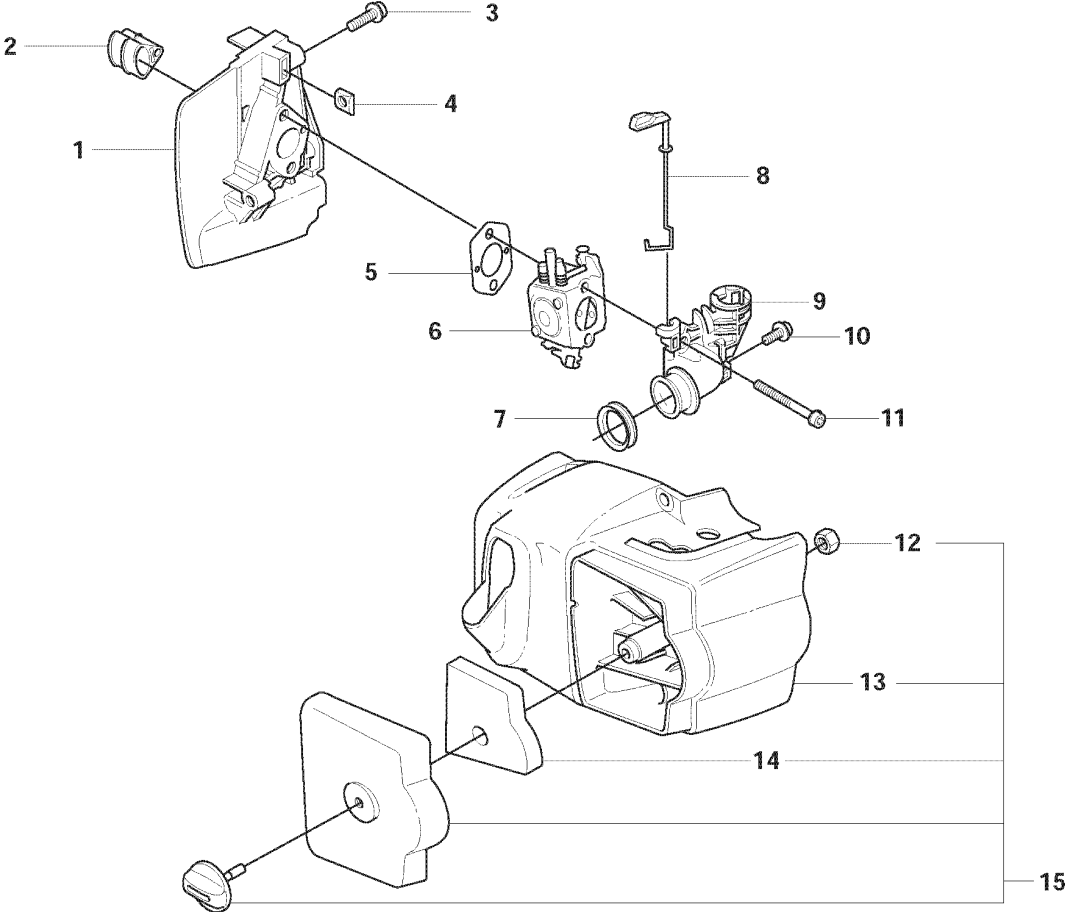
42= (B)  
 Repairkit  
 Reparatursatz  
 Juego de reparación  
 Kit de réparation  
 Reparationssats

## CARBURETOR

326 HD60 X-SERIES, 2008-06

Ref	Part No	Description	Remark	QTY KIT
1	503 28 34-02	CARBURETTOR		1
2	537 02 09-01	SHAFT ASSY		1
3	503 48 18-01	SCREW		1
4	537 02 11-01	VALVE		1
5	503 48 19-01	COLLAR		1
6	537 14 34-01	LEVER		1
7	537 02 10-01	SPRING		1
8	503 47 90-01	SCREW		1
9	537 01 98-01	LEVER		1
10	503 47 98-01	LEVER		1
11	503 48 05-01	SCREW		1
12	503 97 43-01	COVER		1
13	537 04 89-01	DIAPHRAGM		1
14	537 02 04-01	GASKET		1
15	503 48 01-01	SCREW		1
16	503 48 00-01	PIN RETAINING SCREW		1
17	503 66 59-01	LEVER		1
18	537 02 03-01	SPRING		1
19	503 47 97-01	VALVE		1
20	537 02 08-01	PLUG		1
21	537 01 26-01	SPRING		1
22	537 01 25-01	BALL		1
23	503 53 57-01	STRAINER		1
24	503 48 08-01	SPRING		1
25	503 97 40-01	WASHER		1
26	537 12 78-01	SCREW		1
27	537 02 06-01	SCREW		1
28	537 14 35-01	RETAINER		1
29	503 97 40-01	WASHER		1
30	537 01 99-01	VALVE		1
31	503 47 92-01	SCREW		1
32	503 75 53-01	SCREW		1
33	537 01 97-01	SPRING		1
34	537 01 96-01	SHAFT ASSY		1
35	537 02 00-01	DIAPHRAGM PUMP		1
36	537 02 01-01	GASKET		1
37	503 48 11-01	PIECE		1
38	537 02 02-01	COVER		1
39	503 47 96-01	SCREW		1
40	537 02 07-01	SCREW		1
41	531 00 45-52	GASKET KIT		1
42	531 00 45-53	SET		1

G

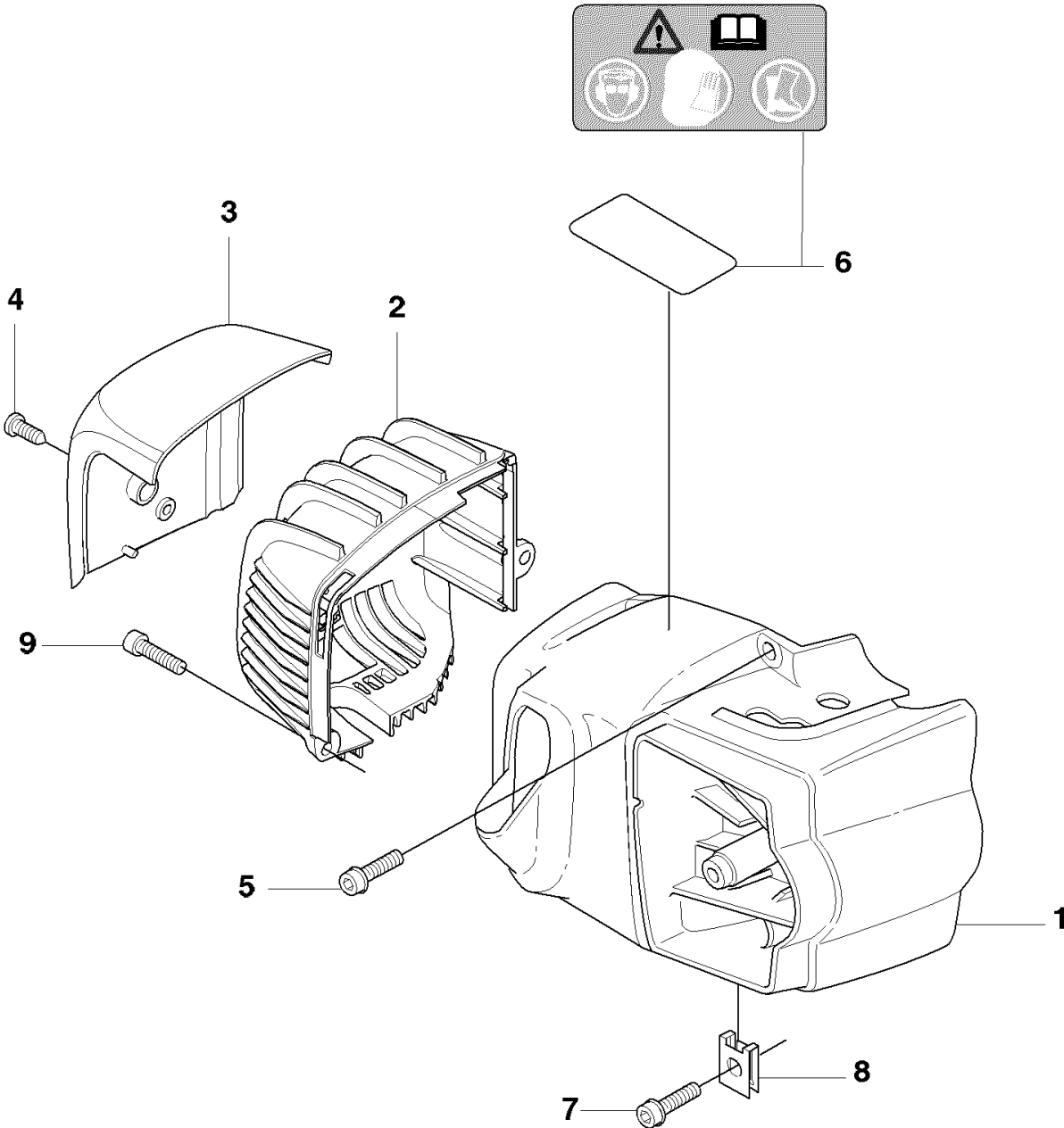


## CARBURETOR &amp; AIR FILTER

326 HD60 X-SERIES, 2008-06

Ref	Part No	Description	Remark	QTY KIT
1	503 91 09-01	INSULATION WALL		1
2	503 94 26-01	INLET PIPE		1
3	503 20 14-25	SCREW IHSCFMO		2
4	503 22 65-04	SQUARE NUT		2
5	503 49 71-01	GASKET		1
6	503 28 34-02	CARBURETTOR		1
7	740 68 11-21	V-RING		1
8	537 02 33-01	CHOKE CONTROL		1
9	537 05 78-01	BRACKET		1
10	503 21 77-16	SCREW IHSC T		1
11	503 21 75-50	SCREW IHSCFT		2
12	731 23 14-01	HEXAGON NUT		1
13	537 14 54-03	CYLINDER COVER		1
14	537 14 31-01	AIR FILTER ASSY		1
15	537 41 20-04	CYLINDER COVER ASSY		1

# F



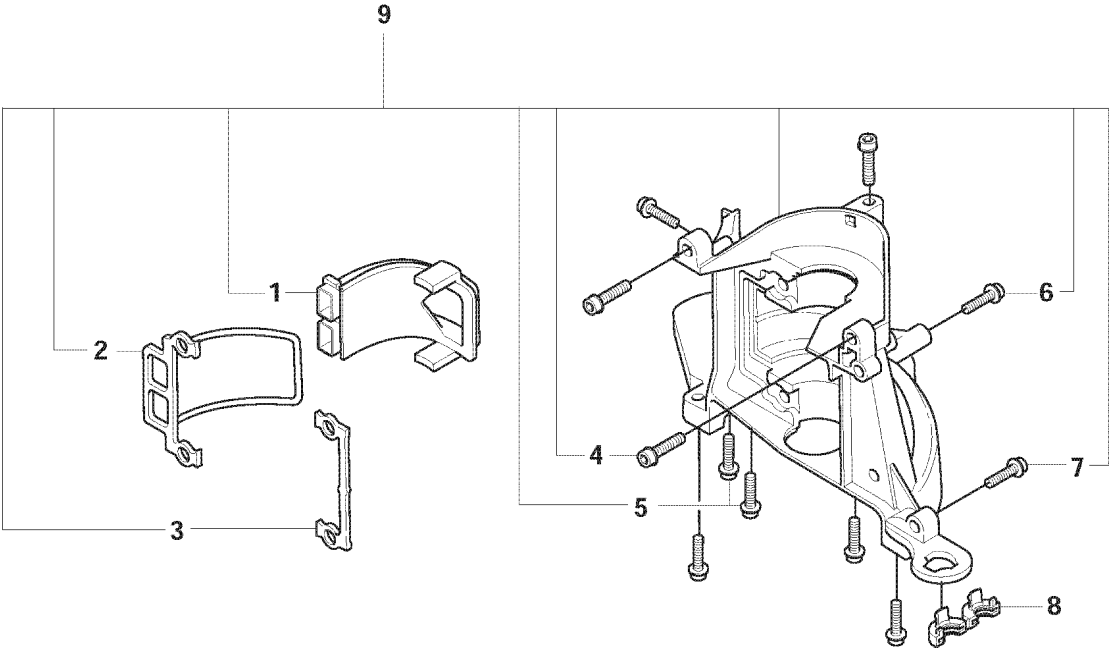


## COVER

326 HD60 X-SERIES, 2008-06

Ref	Part No	Description	Remark	QTY KIT
1	537 14 54-03	CYLINDER COVER		1
2	537 08 05-02	HEAT PROTECTOR		1
3	537 09 66-01	HEAT SHIELD		1
4	503 21 28-10	SCREW CCRPANT		3
5	503 20 03-16	SCREW IHSCFM		2
6	544 11 07-02	LABEL		1
7	503 21 44-16	SCREW IHSCFTO		1
8	503 22 72-01	SPEED NUT		1
9	503 21 62-20	SCREW IHSCFT		2

E

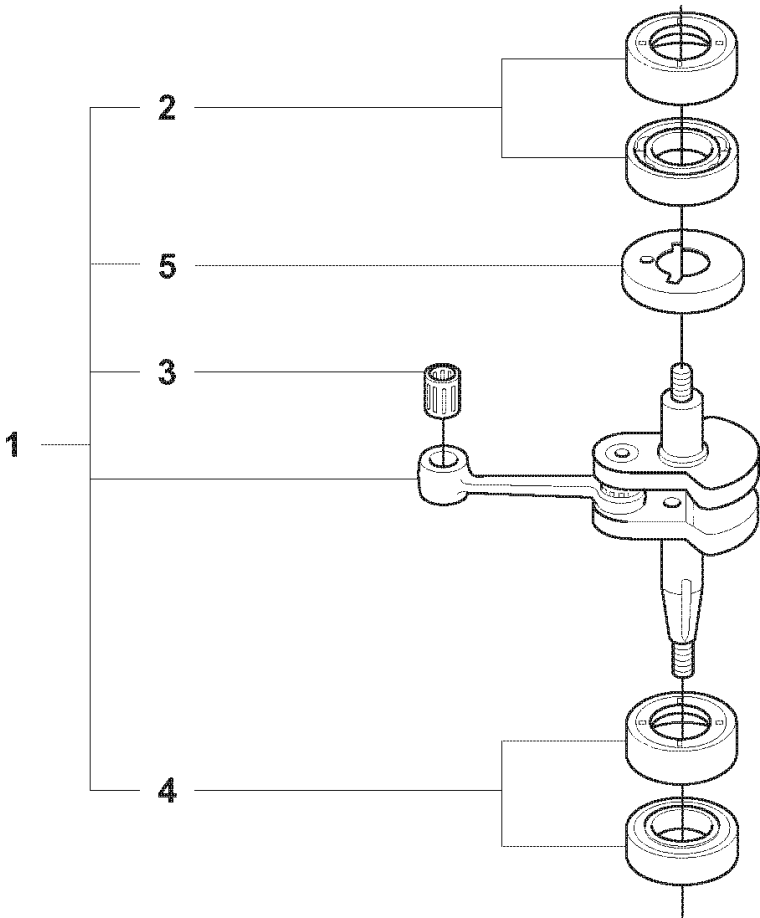


## CRANKCASE

326 HD60 X-SERIES, 2008-06

Ref	Part No	Description	Remark	QTY KIT
1	537 06 68-01	INSERT CRANKCASE		1
2	537 06 69-01	GASKET CRANKCASE		1
3	537 08 85-01	GASKET		2
4	503 20 03-16	SCREW IHSCFM		7
5	503 21 66-18	SCREW IHST		2
6	503 20 03-16	SCREW IHSCFM		1
7	503 21 77-16	SCREW IHST		1
8	537 10 50-02	SNAP		1
9	537 08 52-02	CRANKCASE		1

# A

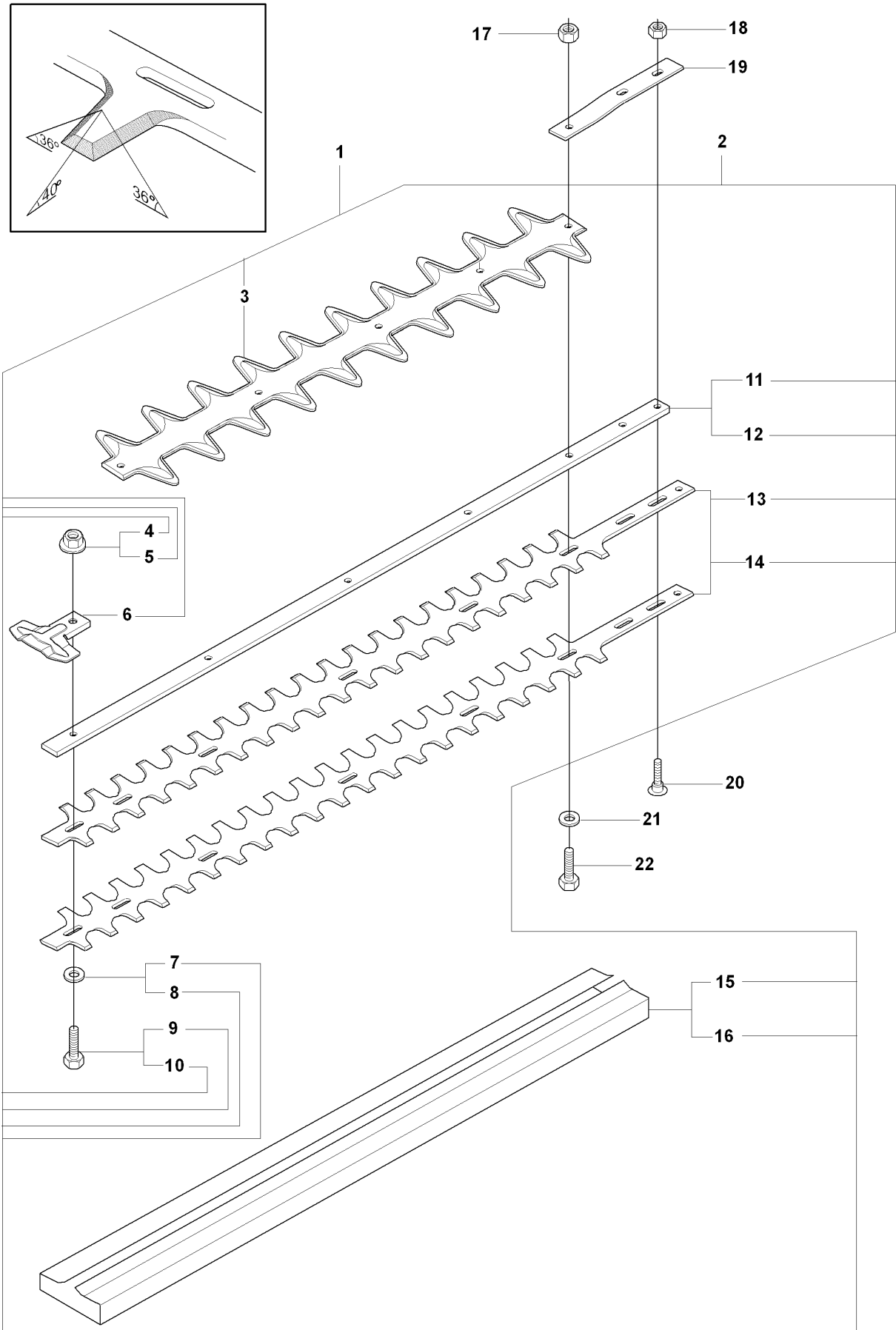


CRANKSHAFT

326 HD60 X-SERIES, 2008-06

Ref	Part No	Description	Remark	QTY KIT
1	537 12 81-06	CRANKSHAFT ASSY		1
2	503 94 02-03	BEARING CAGE		1
3	503 71 22-01	BEARING		1
4	537 12 88-02	BEARING CAGE		1
5	503 94 05-01	CUP		1

**J**

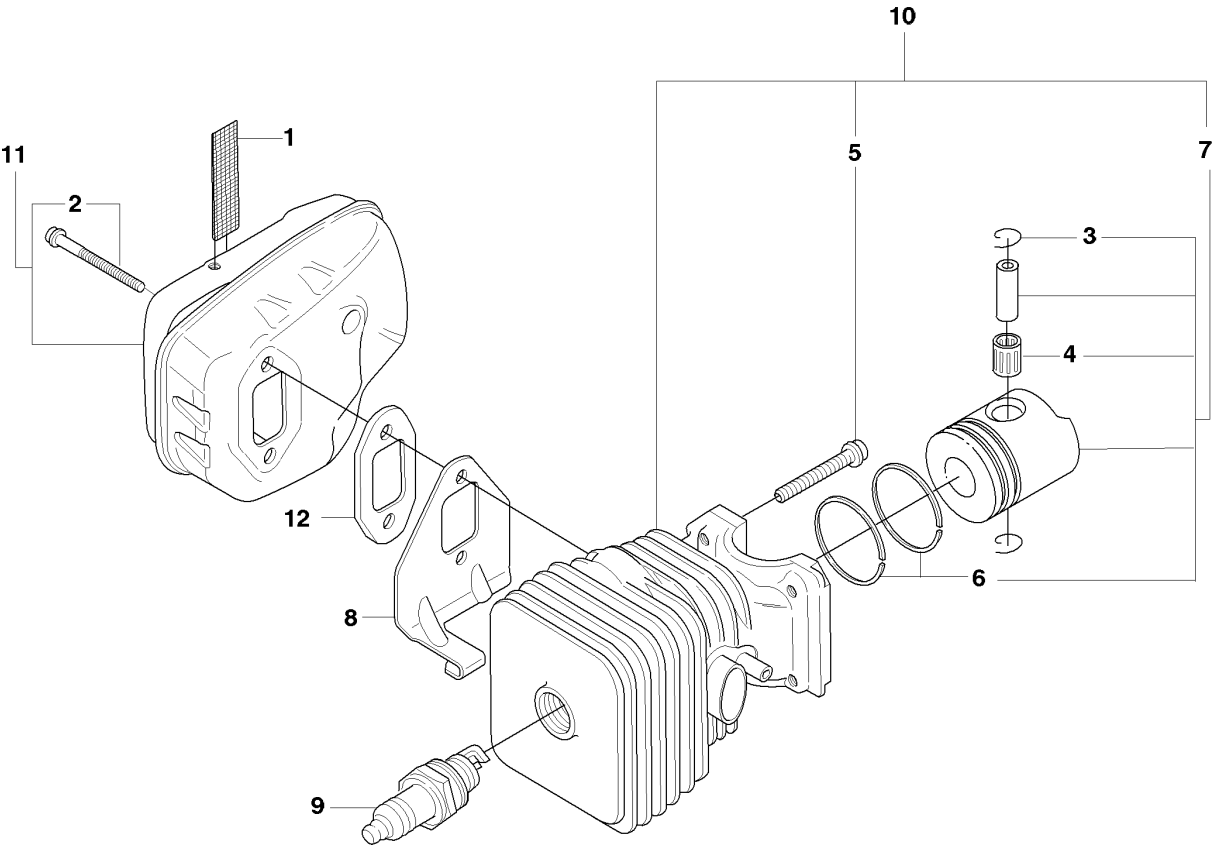


## CUTTING EQUIPMENT

326 HD60 X-SERIES, 2008-06

Ref	Part No	Description	Remark	QTY KIT
1	537 10 56-09	CUTTING DECK		1
2	537 10 56-10	CUTTING DECK		1
3	537 10 03-01	PROTECTIVE PLATE		1
4	503 22 00-06	HEXAGON NUT		5
5	503 22 00-06	HEXAGON NUT		4
6	537 37 20-01	COVER		1
7	503 23 00-24	WASHER		5
8	503 23 00-24	WASHER		4
9	503 20 17-22	SCREW EHHM		5
10	503 20 17-22	SCREW EHHM		4
11	537 10 70-01	BEAM	326HD75	2
12	537 10 70-02	BEAM	326HD60	1
13	537 10 01-06	BLADE	326HD75 One piece/package	2
14	537 10 01-05	BLADE	326HD60 One piece/package	2
15	537 11 08-04	TRANSPORT GUARD	326HD75	1
16	537 11 08-05	TRANSPORT GUARD	326HD60	1
17	731 23 16-01	HEXAGON NUT		1
18	503 22 00-05	HEXAGON NUT		2
19	537 05 05-01	BASEPLATE		1
20	503 92 28-03	SCREW		2
21	503 23 00-24	WASHER		1
22	725 23 72-71	SCREW EHHM		1

**D**



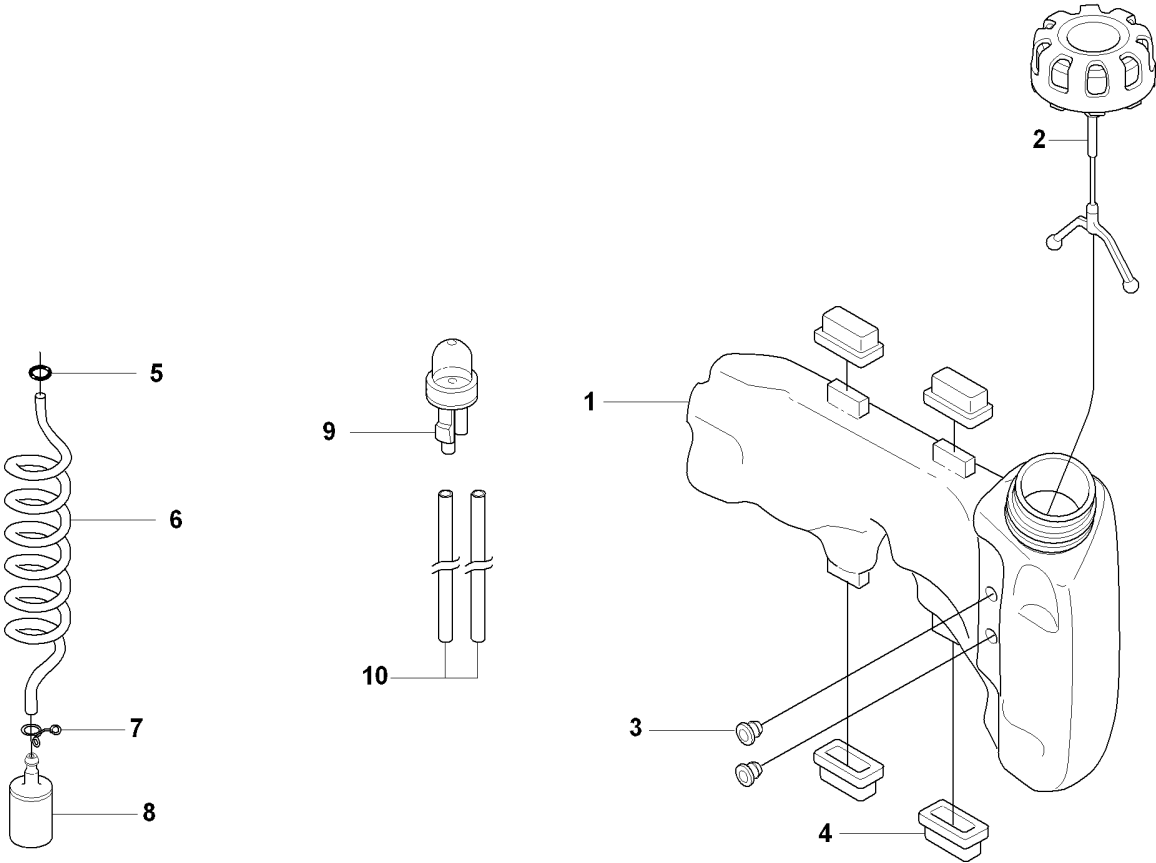


## CYLINDER PISTON

326 HD60 X-SERIES, 2008-06

Ref	Part No	Description	Remark	QTY KIT
1	537 22 18-01	SPARK ARRESTER SCREEN		1
2	503 20 29-56	SCREW IHSCFM		3
3	737 44 08-00	CIRCLIP		2
4	503 71 22-01	BEARING		1
5	725 53 37-55	SCREW IHSCM		4
6	537 40 62-01	PISTON RING		2
7	537 40 59-02	PISTON		1
8	537 17 23-01	AIR CONDUCTOR		1
9	503 23 51-09	SPARK PLUG		1
10	537 08 51-03	CYLINDER		1
11	537 22 16-02	MUFFLER ASSY		1
12	505 49 21-01	GASKET		1

C

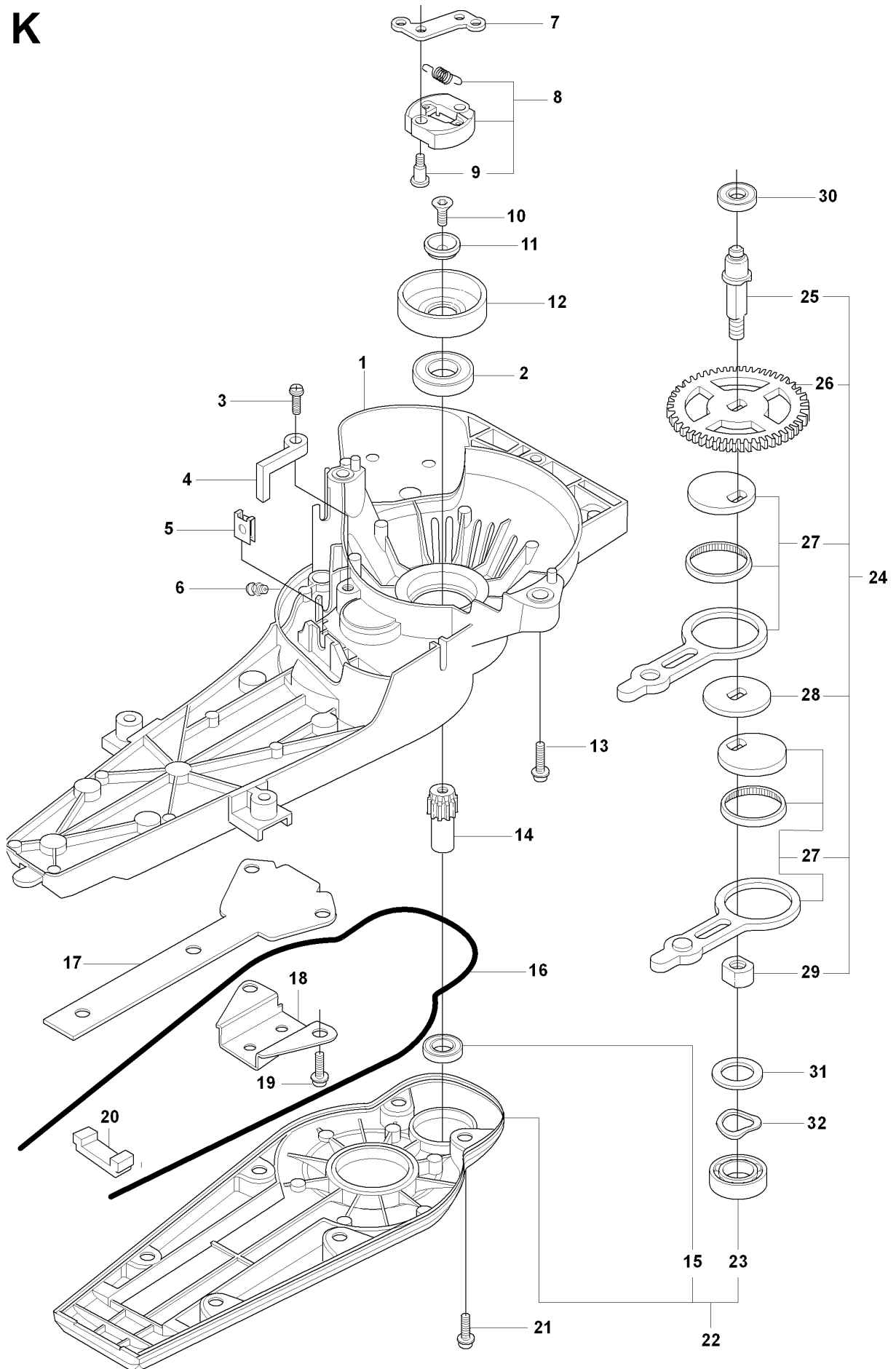


## FUEL TANK

326 HD60 X-SERIES, 2008-06

Ref	Part No	Description	Remark	QTY KIT
1	544 33 13-02	FUEL TANK		1
2	504 11 32-01	TANK CAP		1
3	503 73 58-01	BUSHING		2
4	503 91 10-01	SUSPENSION		4
5	537 18 49-01	O-RING		1
6	544 32 50-01	FUEL HOSE		1
7	504 02 24-01	HOSE CLAMP		1
8	503 44 32-01	FILTER		1
9	503 93 66-01	PRIMER HOUSING		1
10	544 97 75-01	FUEL HOSE		2

**K**

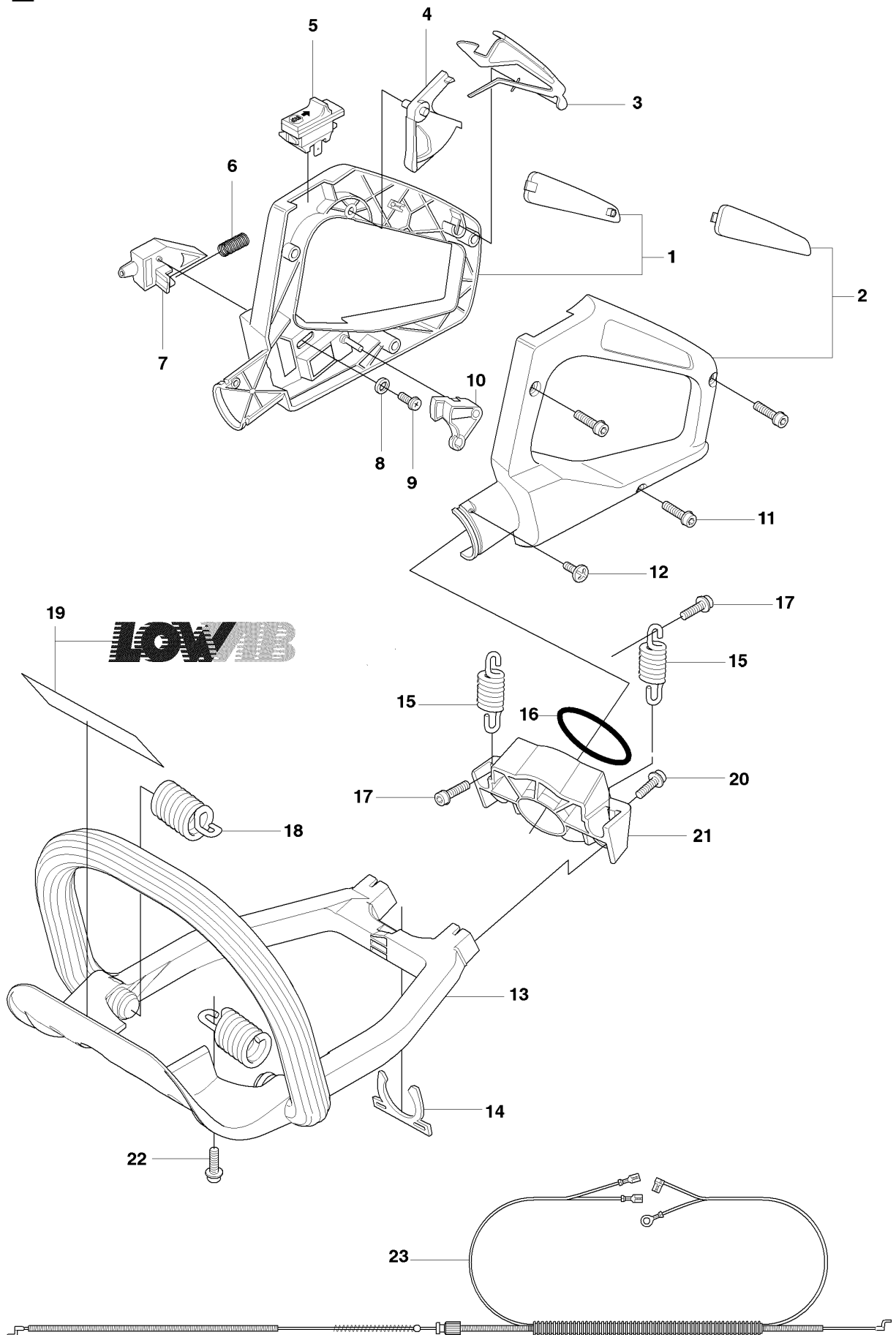


## GEAR HOUSING

326 HD60 X-SERIES, 2008-06

Ref	Part No	Description	Remark	QTY KIT
1	537 18 94-04	GEAR HOUSING		1
2	738 21 02-04	BALL BEARING		1
3	503 21 27-13	SCREW CCRPANT		1
4	537 17 17-01	BRACKET		1
5	503 22 72-01	SPEED NUT		1
6	738 88 10-01	LUBRICATION NIPPLE		1
7	537 24 25-01	CLUTCH HUB		1
8	544 08 32-01	CLUTCH ASSY		1
9	503 84 29-02	SCREW		2
10	725 64 49-56	SCREW IHCSFM		1
11	537 09 03-01	WASHER		1
12	537 03 96-01	CLUTCH DRUM		1
13	503 20 03-16	SCREW IHSCFM		3
14	537 09 01-01	GEAR WHEEL SHAFT		1
15	503 25 05-01	BALL BEARING		1
16	503 26 32-03	O-RING		1
17	537 08 04-01	WEAR PLATE		1
18	537 09 89-01	GUIDE PLATE		1
19	503 21 68-16	SCREW IHST		2
20	537 05 33-01	SEALING		1
21	503 21 68-16	SCREW IHST		6
22	537 11 02-01	HUB CAP		1
23	738 21 88-00	BALL BEARING		1
24	503 98 23-03	DRIVE SHAFT		1
25	503 98 19-01	DRIVE SHAFT		1
26	503 98 17-01	GEAR RIM		1
27	537 17 35-02	CONNECTING ROD		1
28	503 98 22-01	SPACER		1
29	503 98 20-01	NUT		1
30	738 21 98-04	BALL BEARING		1
31	503 23 00-14	WASHER		1
32	503 23 03-01	WASHER		1

L

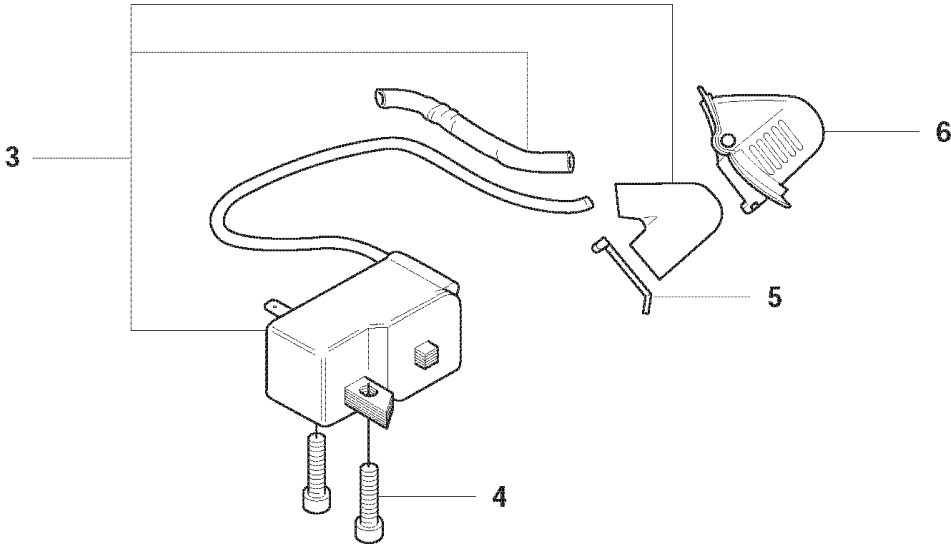
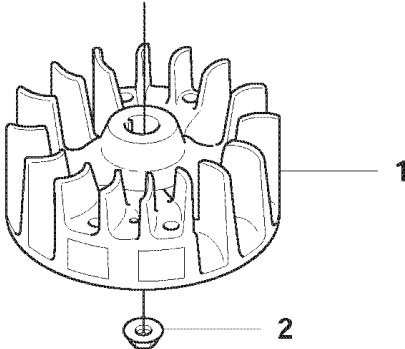


## HANDLE &amp; CONTROLS

326 HD60 X-SERIES, 2008-06

Ref	Part No	Description	Remark	QTY KIT
1	537 28 00-01	HANDLE ASSY		1
2	537 28 00-03	HANDLE ASSY		1
3	537 18 39-01	THROTTLE LOCKOUT		1
4	506 01 44-02	THROTTLE TRIGGER		1
5	537 41 90-01	SWITCH		1
6	503 77 06-01	RECOIL SPRING		1
7	503 77 05-01	LOCKING BUTTON		1
8	734 11 25-41	WASHER		1
9	503 21 29-06	SCREW CCRPANT		1
10	503 79 15-02	LATCH		1
11	503 21 07-16	SCREW IHSCT		3
12	503 21 27-13	SCREW CCRPANT		1
13	503 77 10-03	FRONT HANDLE		1
15	537 08 07-01	SPRING		2
16	740 44 16-00	O-RING		1
17	503 21 68-16	SCREW IHSCT		2
18	537 08 08-01	SPRING		2
19	503 73 45-01	LABEL		1
20	503 21 06-22	SCREW IHSCT		2
21	537 08 06-01	SPRING		1
22	503 21 68-16	SCREW IHSCT		1
23	537 10 51-04	WIRING		1

**B**



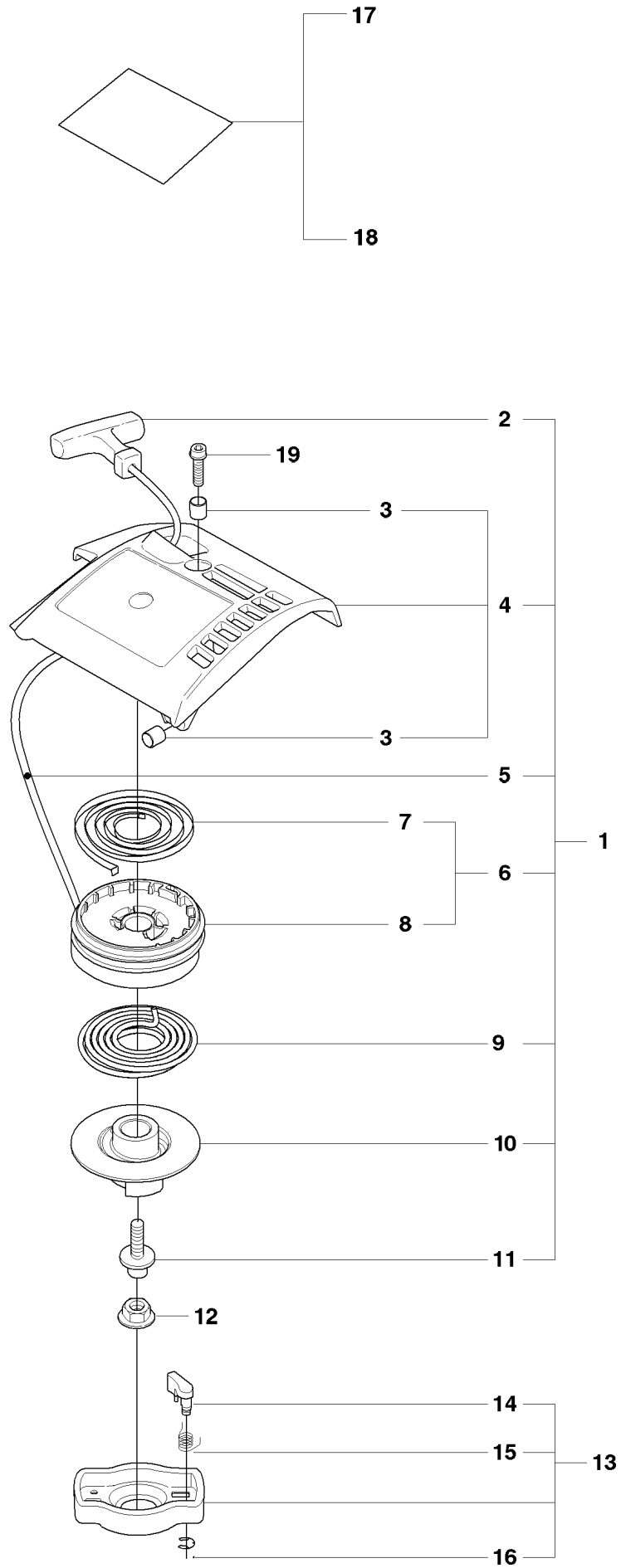


## IGNITION SYSTEM

326 HD60 X-SERIES, 2008-06

Ref	Part No	Description	Remark	QTY KIT
1	537 24 96-02	FLYWHEEL		1
2	731 71 16-51	HEXAGON NUT FLANGE		1
3	504 70 76-01	IGNITION MODULE		1
4	503 21 66-18	SCREW IHSCT		2
5	537 09 17-01	SECURING PLATE		1
6	537 06 44-03	COVER		1

# H



## STARTER

326 HD60 X-SERIES, 2008-06

Ref	Part No	Description	Remark	QTY KIT
1	544 00 25-02	STARTER ASSY		1
2	537 00 84-01	STARTER HANDLE		1
3	537 37 93-02	SPACING SLEEVE		3
4	544 00 24-01	STARTER HOUSING		1
5	503 85 89-01	STARTER CORD		1
6	544 16 65-01	STARTER PULLEY ASSY		1
7	503 85 90-01	RECOIL SPRING		1
8	544 03 86-01	STARTER PULLEY		1
9	544 03 88-02	SPRING		1
10	544 03 87-02	DRIVER		1
11	503 21 77-25	SCREW IH SCT		1
12	731 71 16-51	HEXAGON NUT FLANGE		1
13	503 87 33-02	BRIDGE		1
14	503 87 35-02	STARTER PAWL		1
15	503 87 36-01	SPRING		2
16	735 31 08-20	E-CLIP		2
17	537 35 34-36	LABEL		2
18	537 35 34-37	LABEL		1
19	503 20 03-16	SCREW IH SCFM		1