

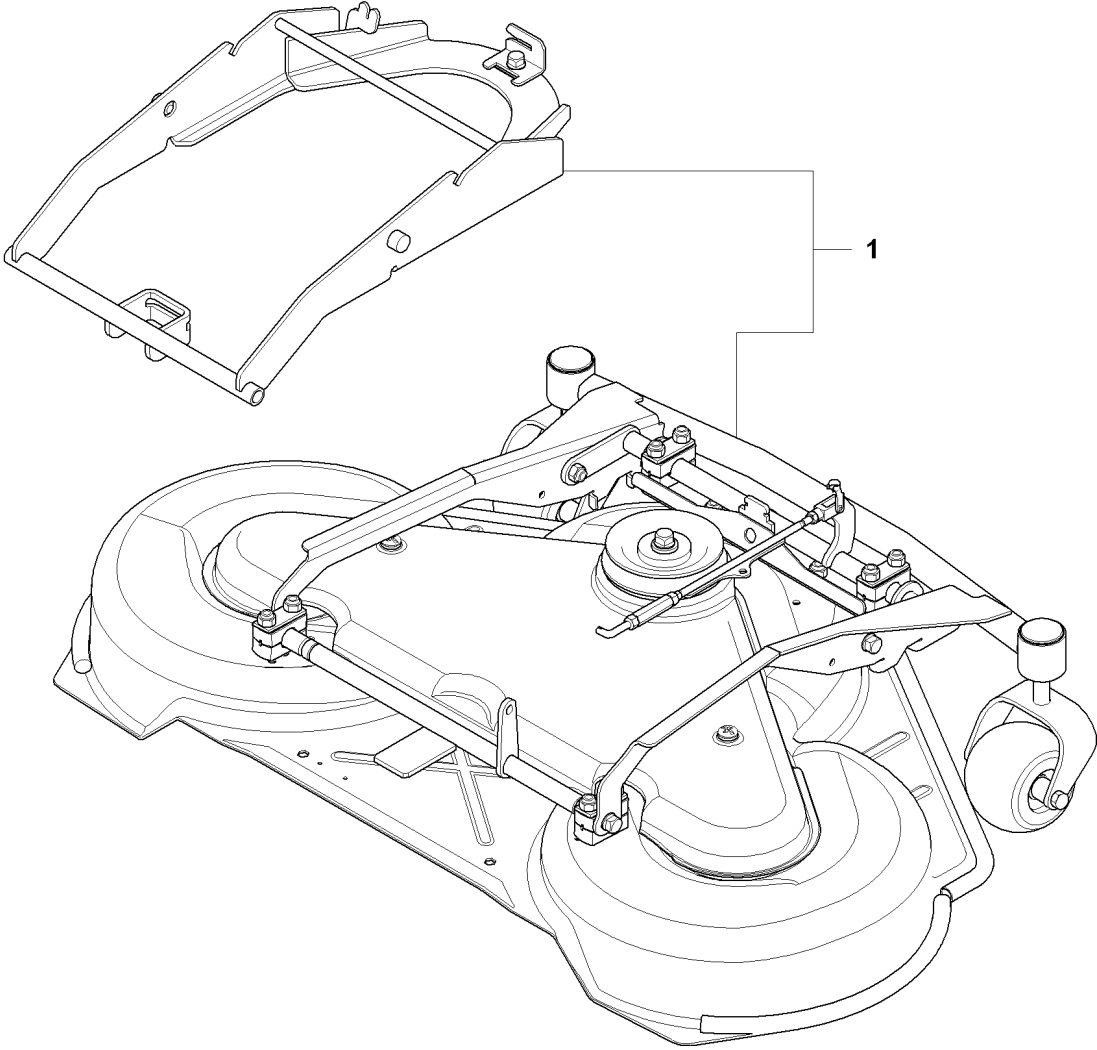


SPARE PARTS LIST

RIDERS

PROFLEX 21 AWD, 965192501, 2008-03

T 965 19 24-01 PF21
965 19 25-01 PF21 AWD
965 19 73-01 MOWER DECK, CT112

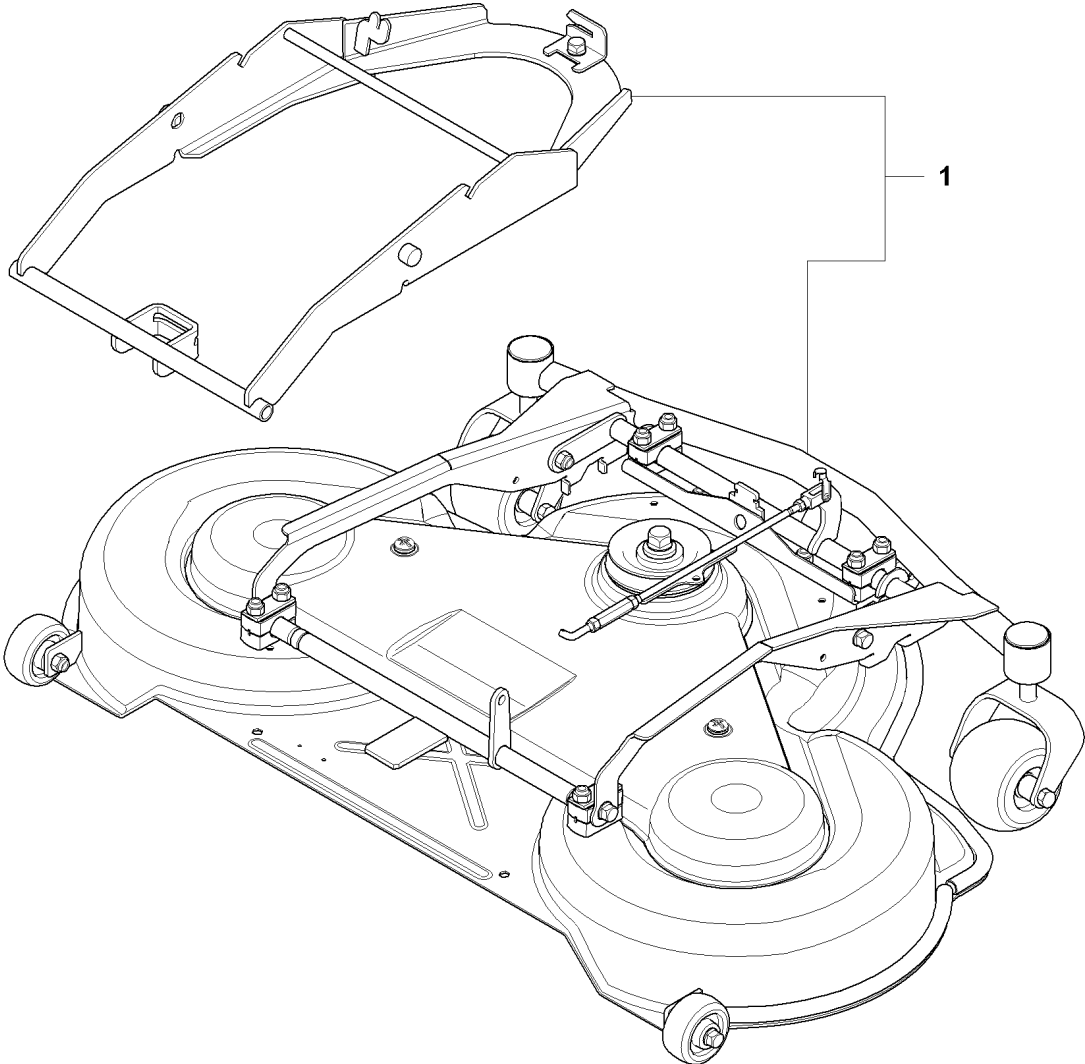


44"/112CM CUTTING DECK

PROFLEX 21 AWD, 965192501, 2008-03

Ref	Part No	Description	Remark	QTY KIT
1	502 30 00-03	CUTTING DECK		1

U 965 19 24-01 PF21
965 19 25-01 PF21 AWD
965 19 74-01 MOWER DECK, CT122

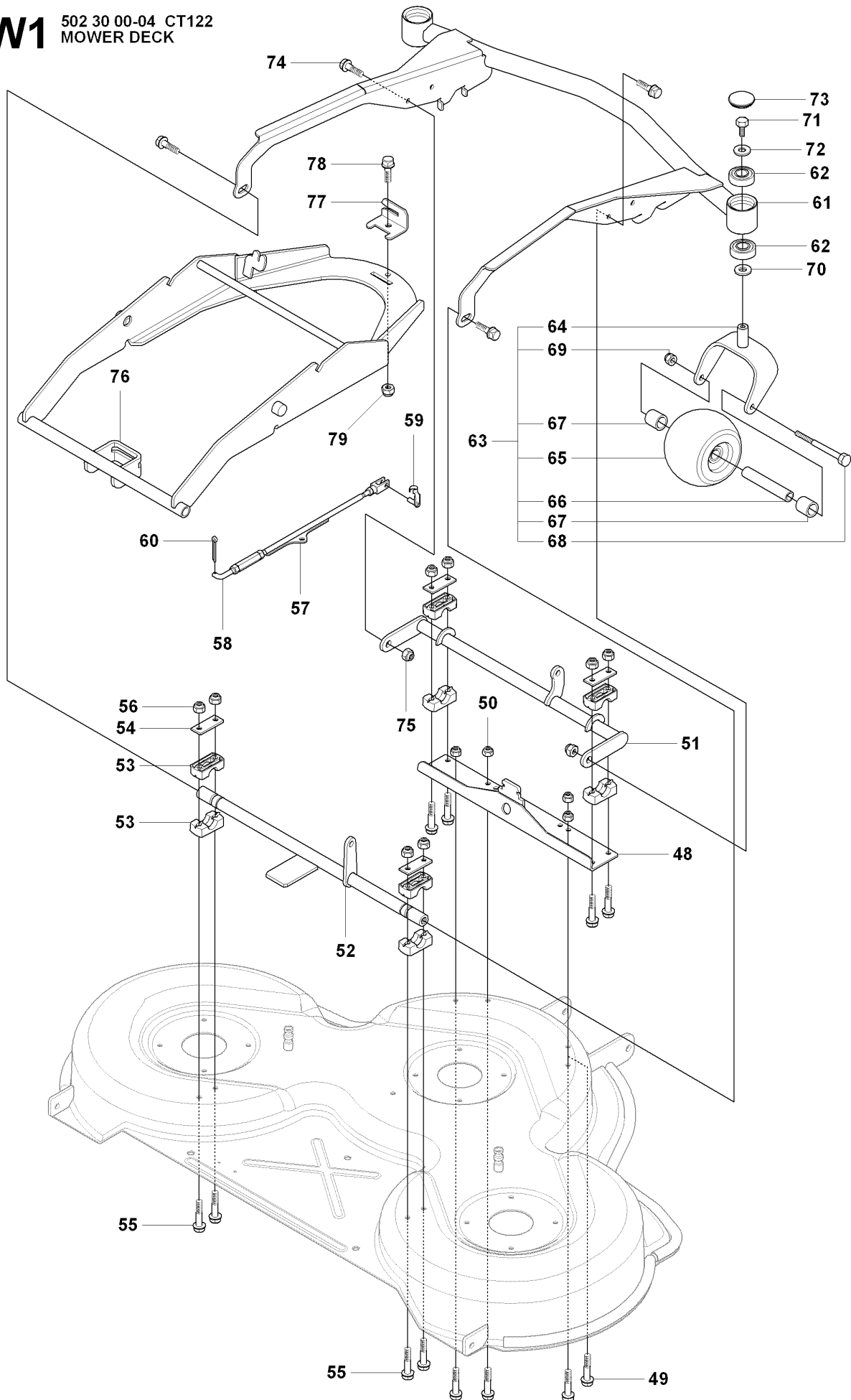


48"/122CM CUTTING DECK

PROFLEX 21 AWD, 965192501, 2008-03

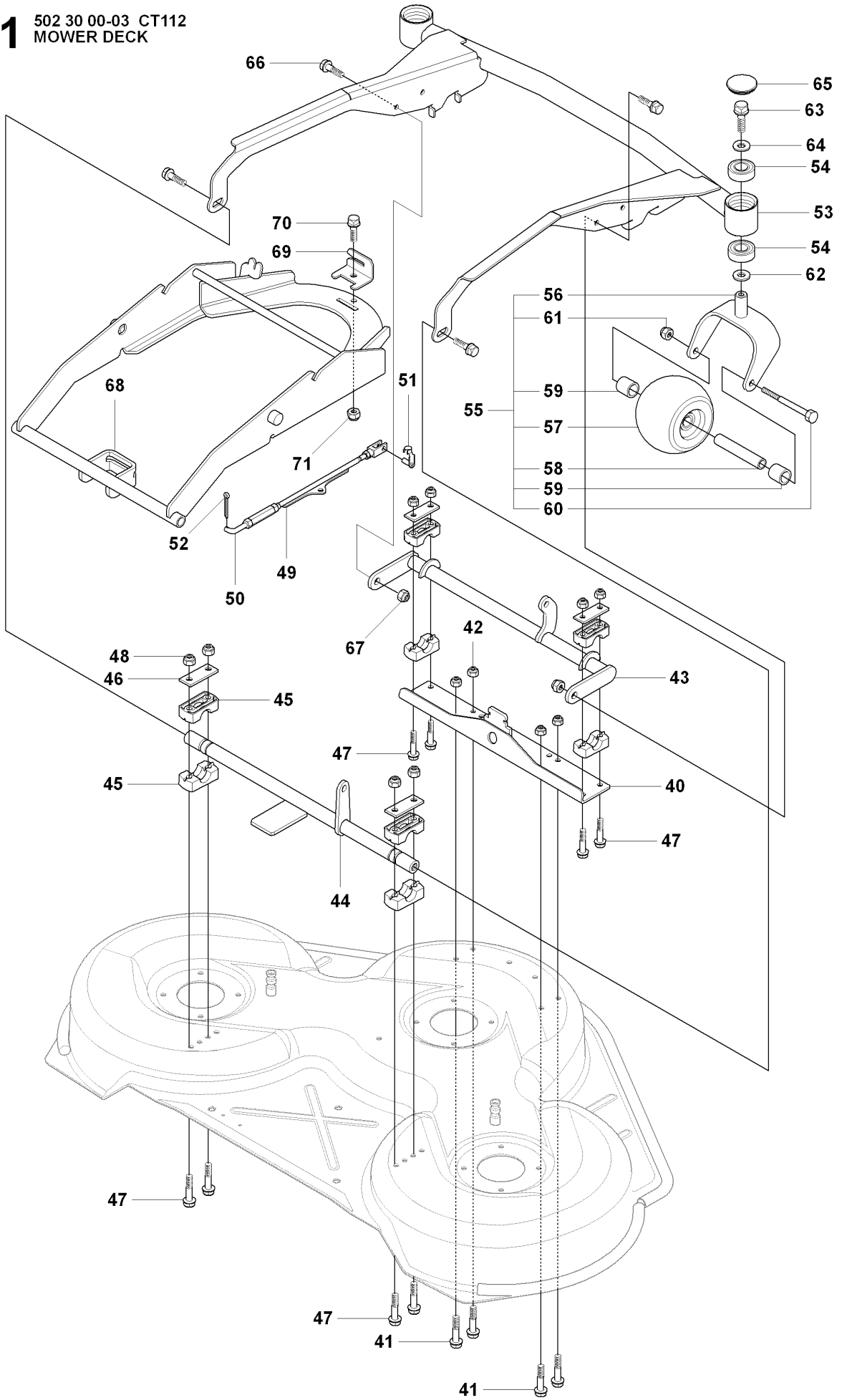
Ref	Part No	Description	Remark	QTY KIT
1	502 30 00-04	CUTTING DECK		1

W1 502 30 00-04 CT122
MOWER DECK



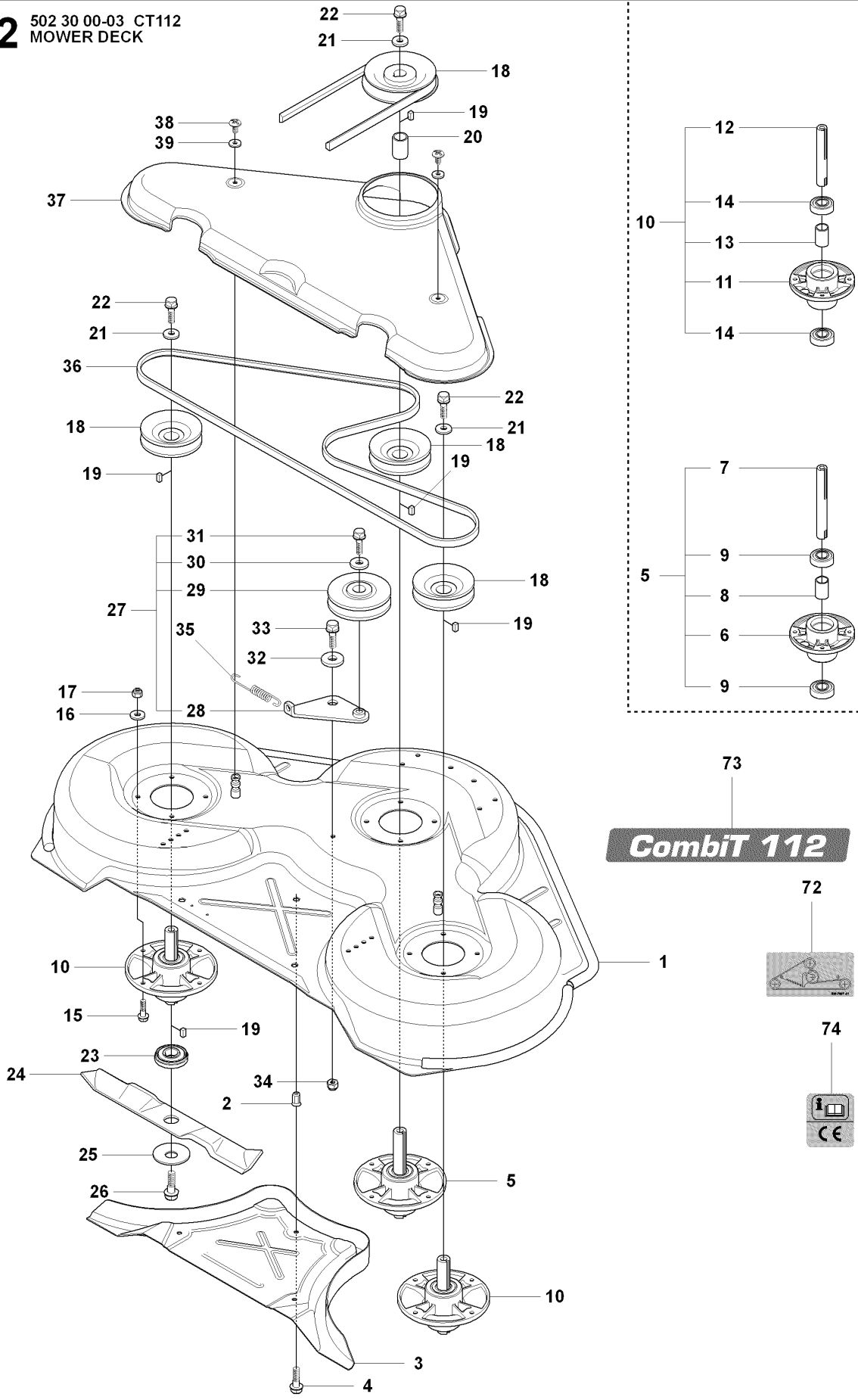
Ref	Part No	Description	Remark	QTY KIT
48	502 64 21-02	BRACKET		1
49	725 24 51-71	SCREW EHHM		4
50	732 21 18-01	LOCK NUT		4
51	502 64 18-03	CROSS BAR		1
52	502 64 19-03	CROSS BAR		1
53	506 86 96-01	BEARING		8
54	506 81 38-01	REINFORCING PLATE		4
55	725 24 61-51	SCREW EHHM		8
56	732 21 18-01	LOCK NUT		8
57	504 81 27-02	PARALLELL ROD ASSY		1
58	502 64 23-01	PARALLEL ROD		1
59	506 83 98-03	BOLT		1
60	721 61 83-01	SPLIT PIN		1
61	502 64 20-03	DECK FRAME		1
62	738 21 04-04	BALL BEARING		4
63	535 50 59-01	PIVOTHJUL		2
64	535 50 46-01	GAFFELFÄSTE		1
65	506 96 30-01	WHEEL ASSY		1
66	506 81 08-02	WHEEL AXLE TUBE		1
67	506 87 41-02	SPACER		2
68	725 25 19-51	SCREW EHHM		1
69	732 21 20-51	NUT		1
70	506 50 48-05	WASHER		2
71	506 57 01-04	SCREW EHHFM		2
72	734 11 64-41	WASHER		2
73	544 01 70-01	HUB CAP		2
74	506 59 74-01	COLLAR SCREW		4
75	732 21 18-01	LOCK NUT		2
76	502 63 95-02	DECK ATTACHMENT		1
77	502 64 24-01	LOCK		1
78	725 24 51-71	SCREW EHHM		1
79	732 21 18-01	LOCK NUT		1

V1 502 30 00-03 CT112
MOWER DECK



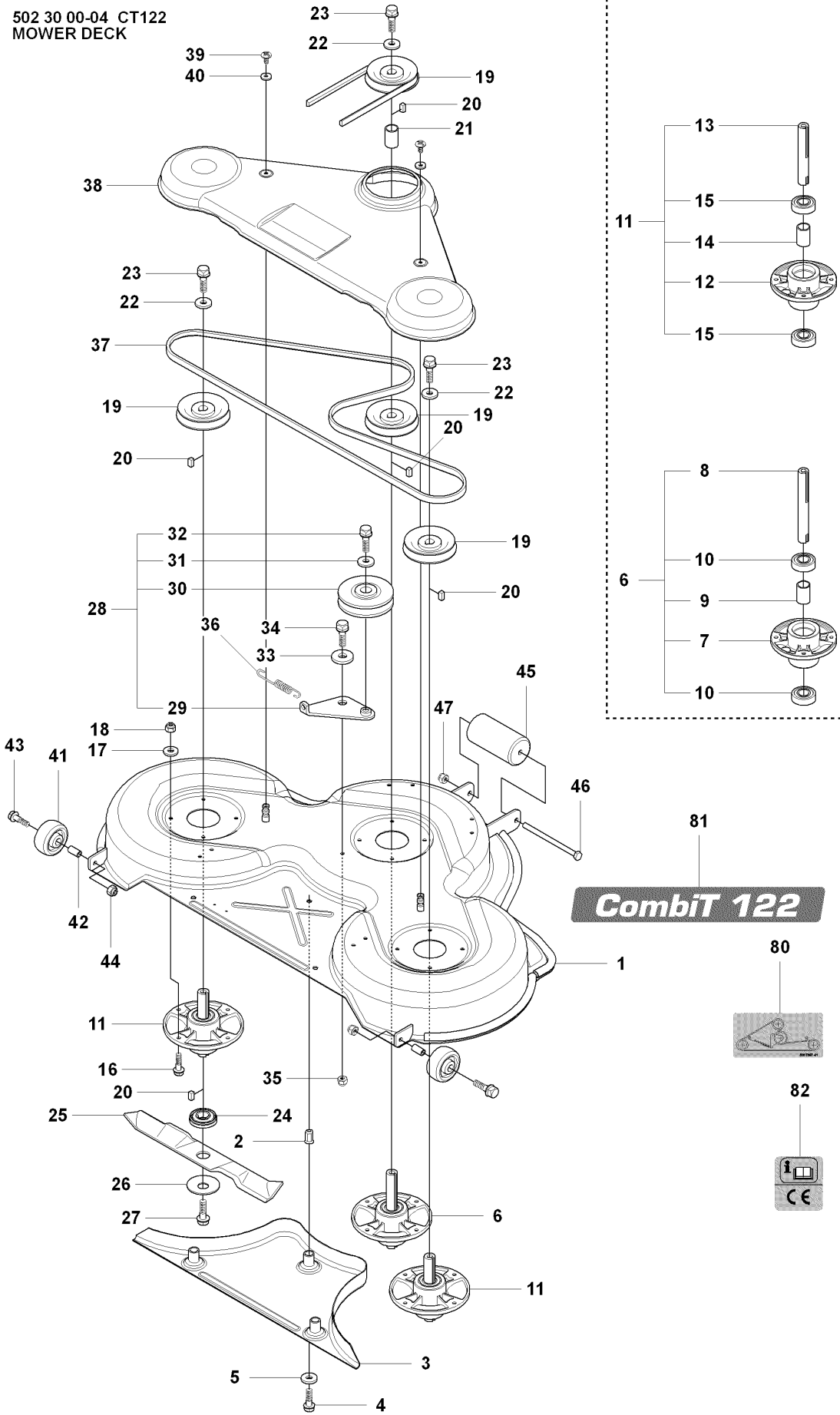
Ref	Part No	Description	Remark	QTY KIT
40	502 64 21-02	BRACKET		1
41	725 24 51-71	SCREW EHHM		4
42	732 21 18-01	LOCK NUT		4
43	502 64 18-02	CROSS BAR		1
44	502 64 19-02	CROSS BAR		1
45	506 86 96-01	BEARING		8
46	506 81 38-01	REINFORCING PLATE		4
47	725 24 61-51	SCREW EHHM		8
48	732 21 18-01	LOCK NUT		8
49	504 81 27-01	PARALLELL ROD ASSY		1
50	502 64 23-01	PARALLEL ROD		1
51	506 83 98-03	BOLT		1
52	721 61 83-01	SPLIT PIN		1
53	502 64 20-02	DECK FRAME		1
54	738 21 04-04	BALL BEARING		4
55	535 50 59-01	PIVOTHJUL		2
56	535 50 46-01	GAFFELFÄSTE		1
57	506 96 30-01	WHEEL ASSY		1
58	506 81 08-02	WHEEL AXLE TUBE		1
59	506 87 41-02	SPACER		2
60	725 25 19-51	SCREW EHHM		1
61	732 21 20-51	NUT		1
62	506 50 48-05	WASHER		2
63	506 57 01-04	SCREW EHHFM		2
64	734 11 64-41	WASHER		2
65	544 01 70-01	HUB CAP		2
66	506 59 74-01	COLLAR SCREW		4
67	732 21 18-01	LOCK NUT		2
68	502 63 95-01	DECK ATTACHMENT		1
69	502 64 24-01	LOCK		1
70	725 24 51-71	SCREW EHHM		1
71	732 21 18-01	LOCK NUT		1

V2 502 30 00-03 CT112
MOWER DECK



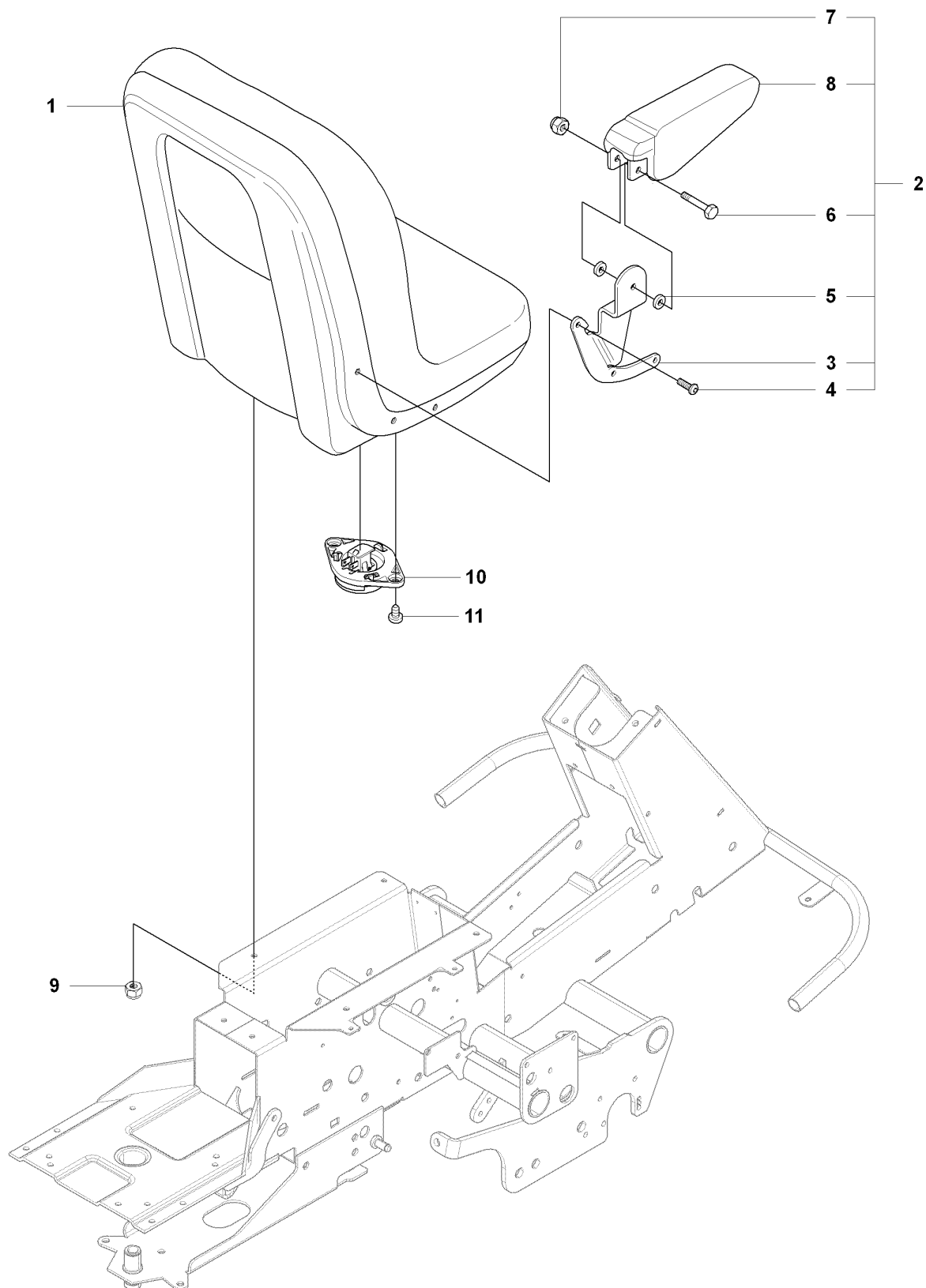
Ref	Part No	Description	Remark	QTY KIT
1	504 56 99-01	DECK SHELL ASSY		1
2	506 91 62-01	BLIND RIVET NUT		3
3	544 44 93-01	PLUG		1
4	506 57 01-04	SCREW EHHFM		3
5	535 50 35-01	KNIFE BEARING		1
6	535 50 34-01	BEARING HOUSING		1
7	535 42 87-01	SHAFT		1
8	535 42 88-01	SPACER		1
9	738 22 05-19	BALL BEARING		2
10	535 50 35-02	KNIFE BEARING		2
11	535 50 34-01	BEARING HOUSING		1
12	535 42 87-02	SHAFT		1
13	535 42 88-01	SPACER		1
14	738 22 05-19	BALL BEARING		2
15	535 42 38-01	SCREW RSQM		12
16	734 11 64-01	WASHER		12
17	732 21 18-01	LOCK NUT		12
18	535 42 90-01	PULLEY		4
19	506 53 35-01	PARALLEL KEY		7
20	535 42 88-01	SPACER		1
21	535 42 92-01	WASHER		3
22	725 25 42-51	SCREW EHHM		3
23	535 50 42-01	BLADE BRACKET		3
24	544 10 27-01	BLADE		3
25	506 79 23-02	KNIFE PLATE		3
26	725 25 42-51	SCREW EHHM		3
27	506 54 07-01	BELT TENSIONER ASSY		1
28	506 51 95-01	SPÄNNARM KPL.		1
29	506 53 27-01	PULLEY		1
30	734 11 64-41	WASHER		1
31	506 55 83-02	SCREW EHHFT		1
32	506 91 87-02	WASHER		1
33	725 24 51-71	SCREW EHHM		1
34	732 21 18-01	LOCK NUT		1
35	506 53 31-01	SPRING		1
36	544 11 33-01	BELT		1
37	544 09 62-01	BELT COVER		1
38	506 98 26-01	SCREW		2
39	506 55 97-01	WASHER		2
72	506 78 97-01	LABEL		1
73	544 23 81-12	LABEL		1
74	506 92 90-01	LABEL		1

W2 502 30 00-04 CT122
MOWER DECK



Ref	Part No	Description	Remark	QTY KIT
1	504 62 01-01	DECK SHELL ASSY		1
2	506 91 62-01	BLIND RIVET NUT		3
3	535 42 83-01	PLUG ASSY		1
4	725 24 60-51	SCREW EHHM		3
5	734 11 64-01	WASHER		3
6	535 42 86-01	BLADE HOUSING ASSY		1
7	535 42 89-01	BEARING HOUSING		1
8	535 42 87-01	SHAFT		1
9	535 42 88-01	SPACER		1
10	738 22 05-19	BALL BEARING		2
11	535 42 86-02	BLADE HOUSING ASSY		2
12	535 42 89-01	BEARING HOUSING		1
13	535 42 87-02	SHAFT		1
14	535 42 88-01	SPACER		1
15	738 22 05-19	BALL BEARING		2
16	535 42 38-01	SCREW RSQM		12
17	734 11 64-01	WASHER		12
18	732 21 18-01	LOCK NUT		12
19	535 42 90-01	PULLEY		4
20	506 53 35-01	PARALLEL KEY		7
21	535 42 88-01	SPACER		1
22	535 42 92-01	WASHER		3
23	725 25 42-51	SCREW EHHM		3
24	535 50 42-01	BLADE BRACKET		3
25	535 42 94-01	RIDE ON BLADE		3
26	506 79 23-02	KNIFE PLATE		3
27	725 25 42-51	SCREW EHHM		3
28	506 54 07-01	BELT TENSIONER ASSY		1
29	506 51 95-01	SPÄNNARM KPL.		1
30	506 53 27-01	PULLEY		1
31	734 11 64-41	WASHER		1
32	506 55 83-02	SCREW EHHFT		1
33	506 91 87-02	WASHER		1
34	725 24 51-71	SCREW EHHM		1
35	732 21 18-01	LOCK NUT		1
36	506 53 31-01	SPRING		1
37	535 42 95-01	BELT		1
38	535 42 96-01	BELT COVER		1
39	506 98 26-01	SCREW		2
40	506 55 97-01	WASHER		2
41	505 44 16-01	WHEEL		2
42	505 45 03-01	TUBE		2
43	725 25 02-71	SCREW EHHM		2
44	732 21 20-01	NUT		2
45	544 18 54-01	ROLLER		1
46	544 22 10-01	SCREW EHHM		1
47	732 21 22-01	NUT		1
80	506 78 97-01	LABEL		1
81	544 23 81-13	LABEL		1
82	506 92 90-01	LABEL		1

A 965 19 24-01 PF21
965 19 25-01 PF21 AWD
SEAT

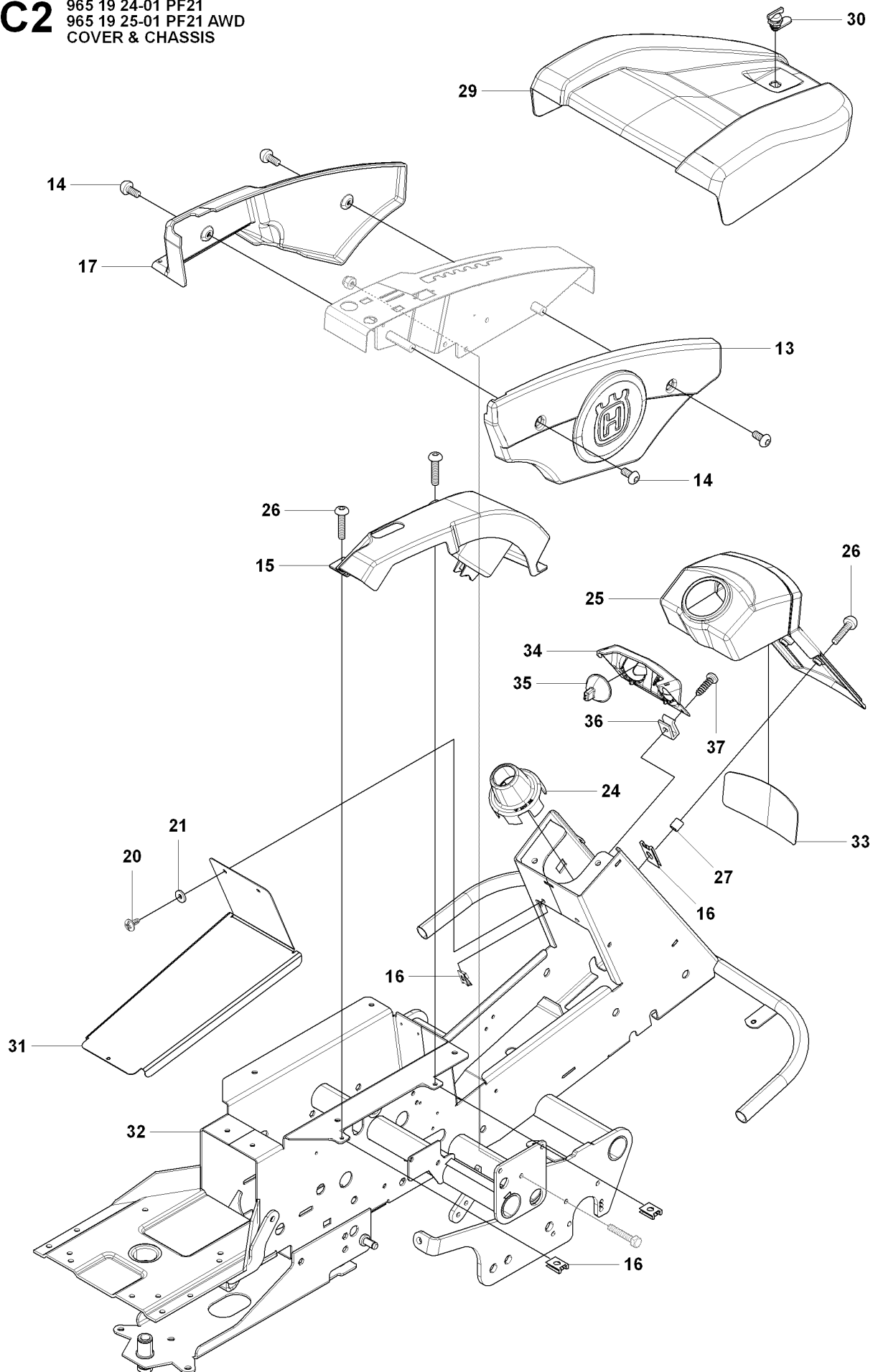


ACCESSORIES

PROFLEX 21 AWD, 965192501, 2008-03

Ref	Part No	Description	Remark	QTY KIT
1	535 45 85-01	SEAT ASSY		1
2	535 45 86-01	ARM REST KIT		1
3	535 41 49-75	BRACKET		1
3	535 41 49-76	BRACKET		1
4	535 41 49-77	SCREW		6
5	535 41 49-78	SPACER		4
6	535 41 49-79	SCREW		2
7	535 41 49-80	NUT		2
8	535 41 49-81	ARMSTÖD		2
9	732 21 18-01	LOCK NUT		4
10	506 56 56-01	SÄTESBRYTARE KPL		1
11	503 21 88-16	SCREW IHSCT		2

C2 965 19 24-01 PF21
965 19 25-01 PF21 AWD
COVER & CHASSIS



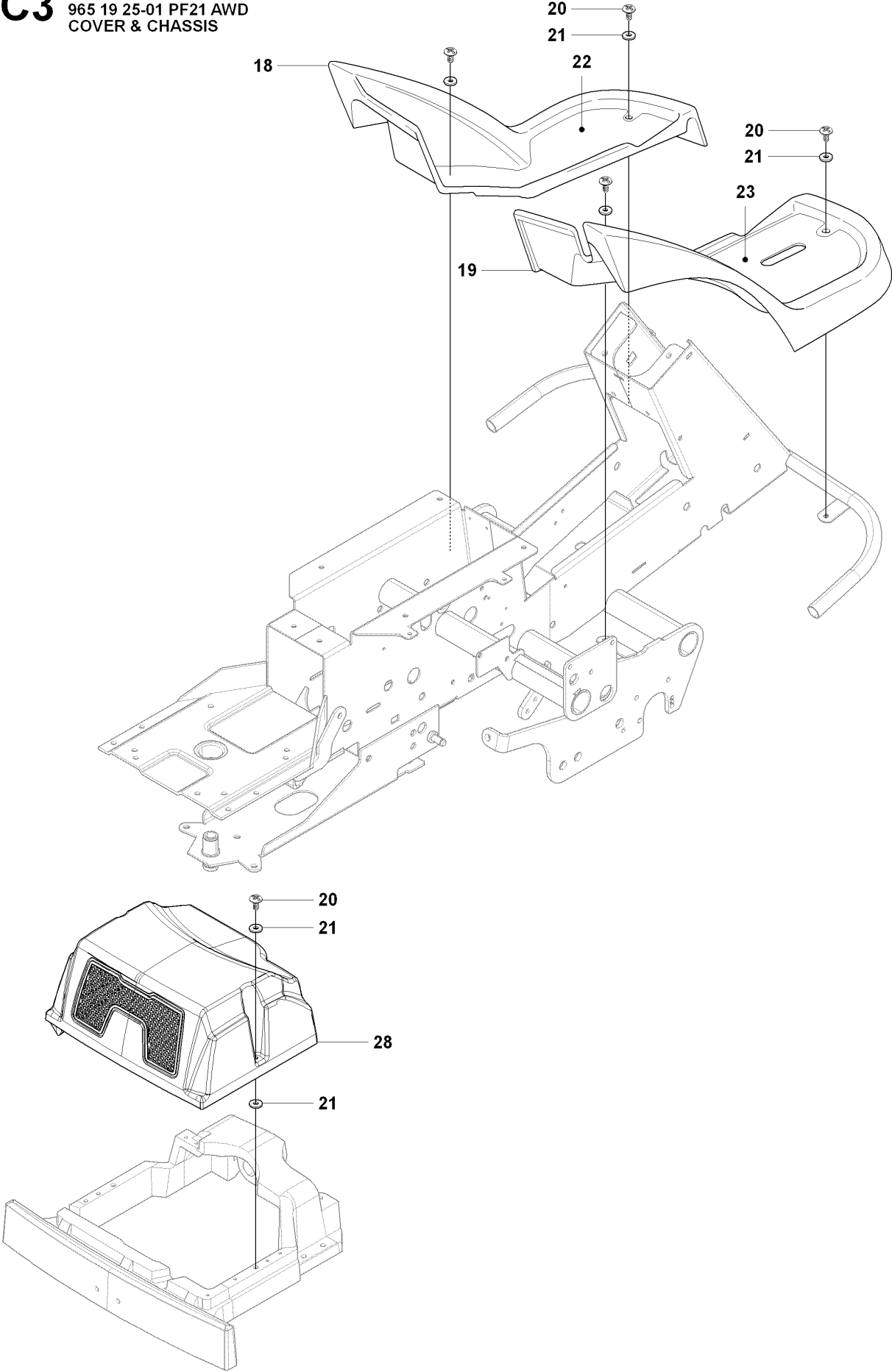
CHASSIS / FRAME

PROFLEX 21 AWD, 965192501, 2008-03

Ref	Part No	Description	Remark	QTY KIT
13	502 63 75-01	CONTROL COVER		1
14	535 42 58-01	SCREW IHPANM		4
15	502 63 77-01	CONTROL COVER		1
16	535 42 91-01	SPRING NUT		6
17	535 47 65-01	CONTROL CAP INNER		1
20	506 98 26-01	SCREW		8
21	506 55 97-01	WASHER		10
24	535 46 05-01	SEALING		1
25	535 45 97-01	COVER		1
26	535 42 58-02	SCREW IHPANM		4
27	535 46 29-01	SPACER		2
29	502 28 69-01	UNIT COVER		1
30	535 40 26-03	LOCK		1
31	535 42 15-01	LOCK GOLVTUNNEL		1
32	502 29 83-02	CHASSIS		1
33	535 44 71-01	LAMP CHIMNEY		1
34	535 44 67-01	HOUSING		1
35	535 44 68-01	LAMP		2
36	535 41 56-19	SCREW		2
37	506 89 20-01	SPEED NUT		2

Ref	Part No	Description	Remark	QTY KIT
1	535 40 61-01	BRACKET		1
2	506 98 61-02	GLIDLAGER		2
3	544 38 65-01	TRANSMISSION		1
4	504 62 82-01	SCREW EHHM		3
5	535 42 38-08	SCREW RSQM		1
6	725 24 66-51	SCREW		1
7	506 59 93-01	LINK		1
8	544 38 81-01	BRACKET		1
9	734 11 64-01	WASHER		5
10	732 21 18-01	LOCK NUT		5
11	544 38 73-01	CONTROL LEVER		1
12	721 43 47-01	SPRING PIN		1
13	505 49 01-01	ARM		1
14	506 83 43-01	SPRING		1
15	544 38 82-01	LEVER		1
16	506 98 61-03	BUSHING		1
17	506 99 20-01	PIPE		1
18	725 24 60-51	SCREW EHHM		1
19	734 11 64-41	WASHER		1
20	732 21 18-01	LOCK NUT		1
21	544 38 85-01	BRACKET		1
22	725 24 49-71	SCREW EHHM		2
23	544 88 84-01	LINK RODS		1
24	535 47 53-16	SCREW EHHFM		2
25	732 21 14-01	LOCK NUT		2
26	506 99 30-01	BELT TENSIONER ASSY		1
27	506 99 20-01	PIPE		1
28	725 24 62-51	SCREW EHHM		1
29	734 11 64-41	WASHER		1
30	732 21 18-01	LOCK NUT		1
31	506 54 25-01	SPRING		1
32	725 23 72-71	SCREW EHHM		1
33	731 23 16-01	HEXAGON NUT		1
34	544 38 86-01	EXPANSION TANK		1
35	725 23 68-71	SCREW EHHM		2
36	734 11 54-41	WASHER		2
37	506 67 33-01	TANK CAP ASSY		1
38	535 45 83-02	HOSE		1
39	505 44 36-01	HOSE CLAMP		2
40	506 99 14-01	PULLEY		1
41	506 94 81-01	FAN		1
42	502 43 38-01	SLEEVE		1
43	734 11 74-41	WASHER		1
44	732 21 20-01	NUT		1
45	506 88 99-01	HITCH		1
46	725 24 93-71	SCREW EHHM		2
47	504 55 51-01	SKID PLATE		1
48	725 24 64-51	SCREW EHHM		2
49	734 11 64-01	WASHER		2
50	732 21 18-01	LOCK NUT		2
51	506 56 65-01	CLIP		1
52	725 23 66-71	SCREW EHHM		1

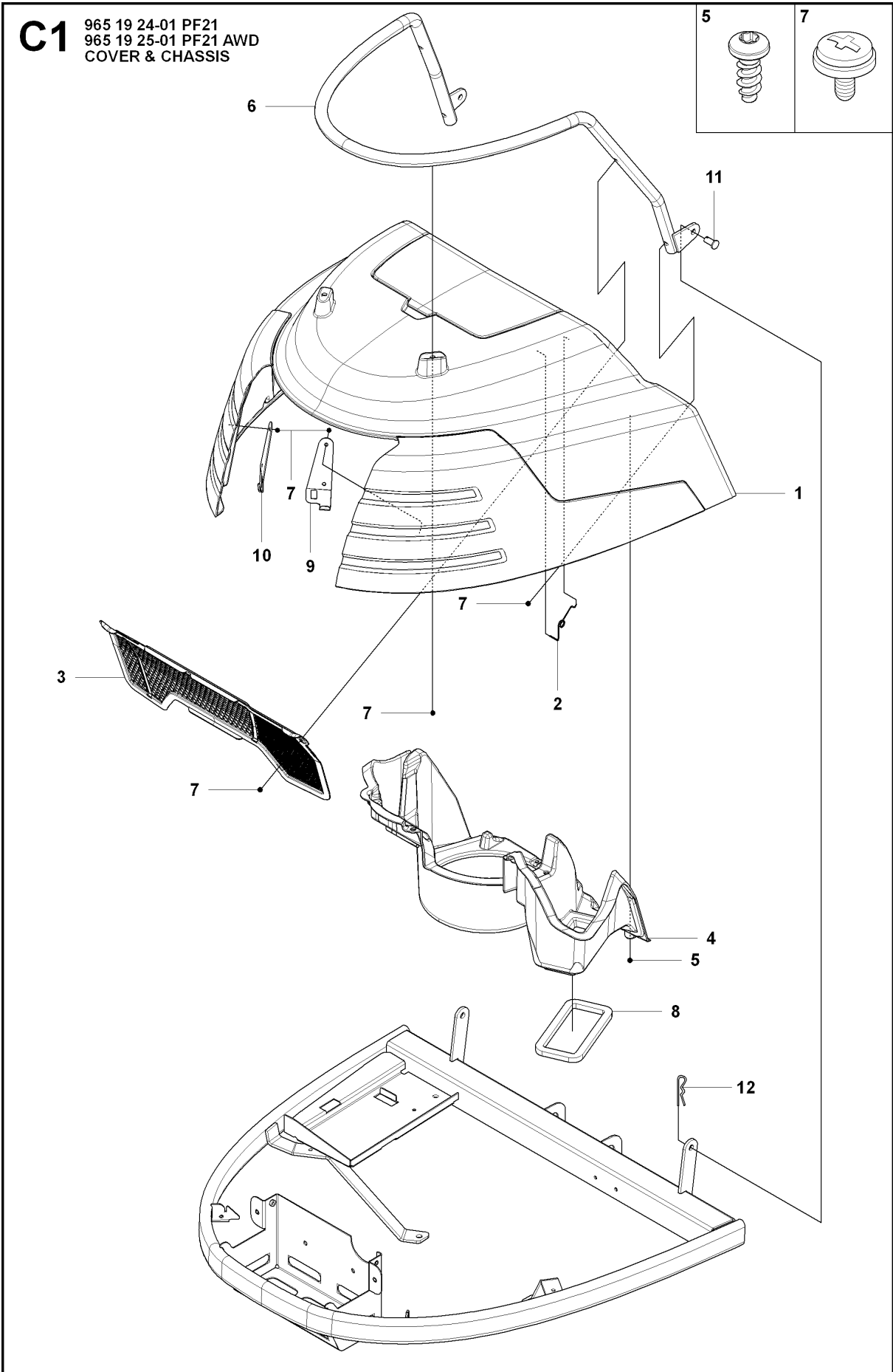
C3 965 19 24-01 PF21
965 19 25-01 PF21 AWD
COVER & CHASSIS



CHASSIS / FRAME

PROFLEX 21 AWD, 965192501, 2008-03

Ref	Part No	Description	Remark	QTY KIT
18	535 43 21-03	FLYGEL VÄNSTER		1
19	535 47 46-02	FLYGEL HÖGER		1
20	506 98 26-01	SCREW		8
21	506 55 97-01	WASHER		10
22	535 47 47-01	PEDISTAL MAT		1
23	535 47 47-02	PEDISTAL MAT		1
28	504 20 63-01	COVER		1



COVER

PROFLEX 21 AWD, 965192501, 2008-03

Ref	Part No	Description	Remark	QTY KIT
1	502 62 55-01	ENGINE HOOD ASSY		1
2	504 12 41-01	SPRING		2
3	502 48 22-01	GRID		1
4	504 10 19-02	AIR CONDUCTOR		1
5	504 61 09-01	SCREW		5
6	502 49 46-01	LOAD CARRIER		1
7	544 40 05-01	SCREW		10
8	504 62 95-01	SEALING		1
9	504 61 39-01	GUIDE PLATE		1
10	504 61 39-02	GUIDE PLATE		1
11	721 84 54-01	CLEVIS PIN		2
12	506 66 88-01	SPRING COTTER		2

DECALS

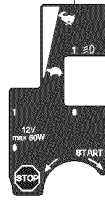
PROFLEX 21 AWD, 965192501, 2008-03

S 965 19 24-01 PF21
965 19 25-01 PF21 AWD
LABEL, ASSY

3



1



2



4



5



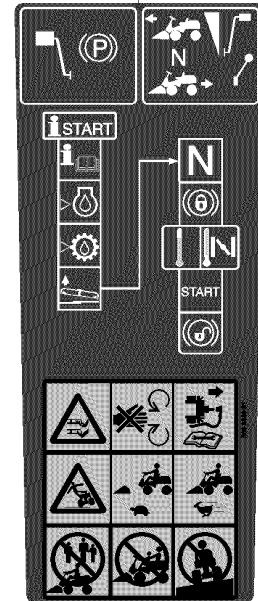
6



7



8



9



10



11



12



13



14



15



16



17



18

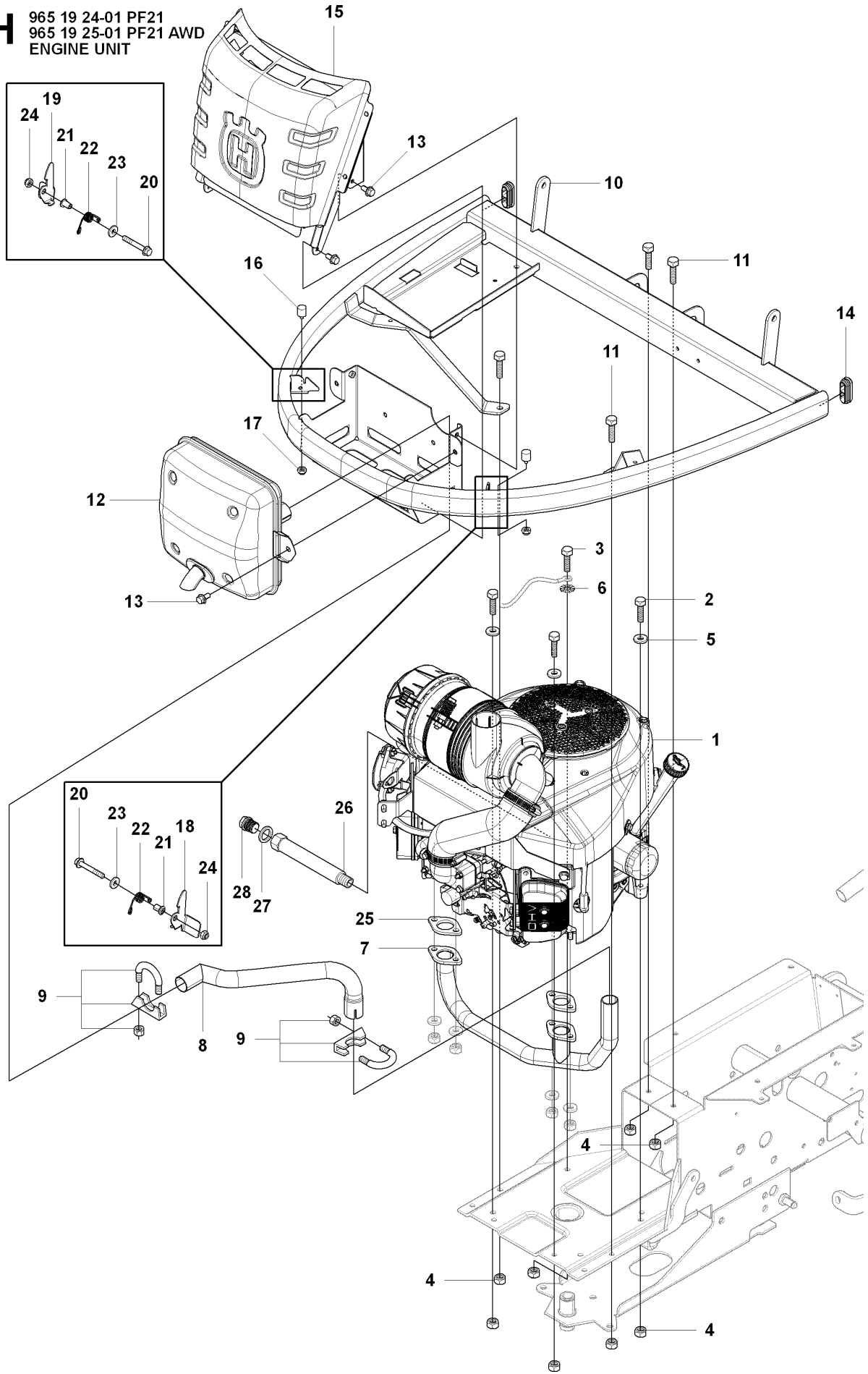


DECALS

PROFLEX 21 AWD, 965192501, 2008-03

Ref	Part No	Description	Remark	QTY KIT
1	535 46 28-01	CONTROL LABEL		1
2	506 89 33-01	DECAL		1
3	506 89 34-01	DECAL		1
4	506 89 35-01	DECAL		1
5	544 21 14-01	LABEL		2
5	544 21 14-01	LABEL		1
6	544 83 35-01	LABEL		2
7	506 96 83-01	DECAL		1
8	506 94 48-01	LABEL		1
9	535 41 31-01	LABEL		1
10	535 43 20-02	DECAL		1
11	506 58 45-01	LABEL		1
12	505 51 45-02	LABEL		1
13	505 51 44-02	LABEL		1
14	505 51 66-01	LABEL		1
15	505 51 67-01	LABEL		2
16	544 39 11-02	LABEL		1
17	544 39 11-01	LABEL		2
18	535 45 87-02	LABEL		1

H 965 19 24-01 PF21
965 19 25-01 PF21 AWD
ENGINE UNIT

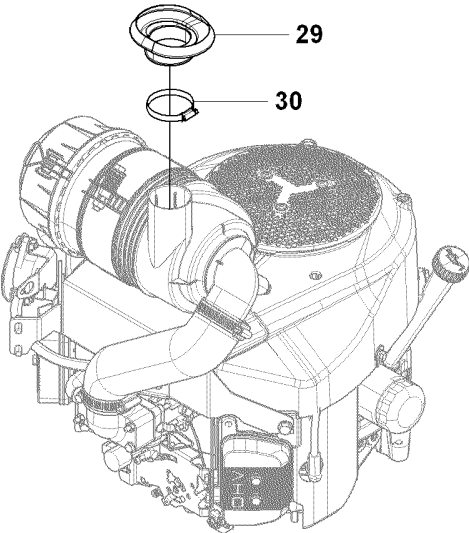


ENGINE

PROFLEX 21 AWD, 965192501, 2008-03

Ref	Part No	Description	Remark	QTY KIT
1	502 63 66-01	ENGINE		1
2	725 24 57-51	SCREW		3
3	725 24 59-51	SCREW EHHM		1
4	732 21 18-01	LOCK NUT		8
5	734 11 64-01	WASHER		3
6	735 21 64-00	LOCK WASHER		1
7	502 63 68-01	EXHAUST PIPE		1
8	502 63 70-01	EXHAUST EXTENDER		1
9	506 66 84-01	AVGASKLAMMA KPL.		2
10	502 53 04-01	ENGINE FRAME		1
11	725 24 51-71	SCREW EHHM		4
12	544 39 27-01	MUFFLER ASSY		1
13	535 47 52-12	SCREW EHHFM		6
14	504 64 36-01	PLUG		2
15	505 39 55-01	HEAT PROTECTOR		1
16	504 63 88-01	DAMPER		2
17	732 21 14-01	LOCK NUT		2
18	504 61 34-01	LATCH		1
19	504 61 34-02	LATCH		1
20	725 23 74-51	SCREW EHHM		2
21	504 63 84-01	BUSHING		2
22	504 63 90-01	SPRING		2
23	734 11 54-41	WASHER		2
24	732 21 16-01	NUT		2
25	535 41 42-36	GASKET		2
26	535 41 44-16	JOINT		1
27	531 00 11-90	O-RING		1
28	535 41 44-60	PLUG		1

H 965 19 24-01 PF21
965 19 25-01 PF21 AWD
ENGINE UNIT

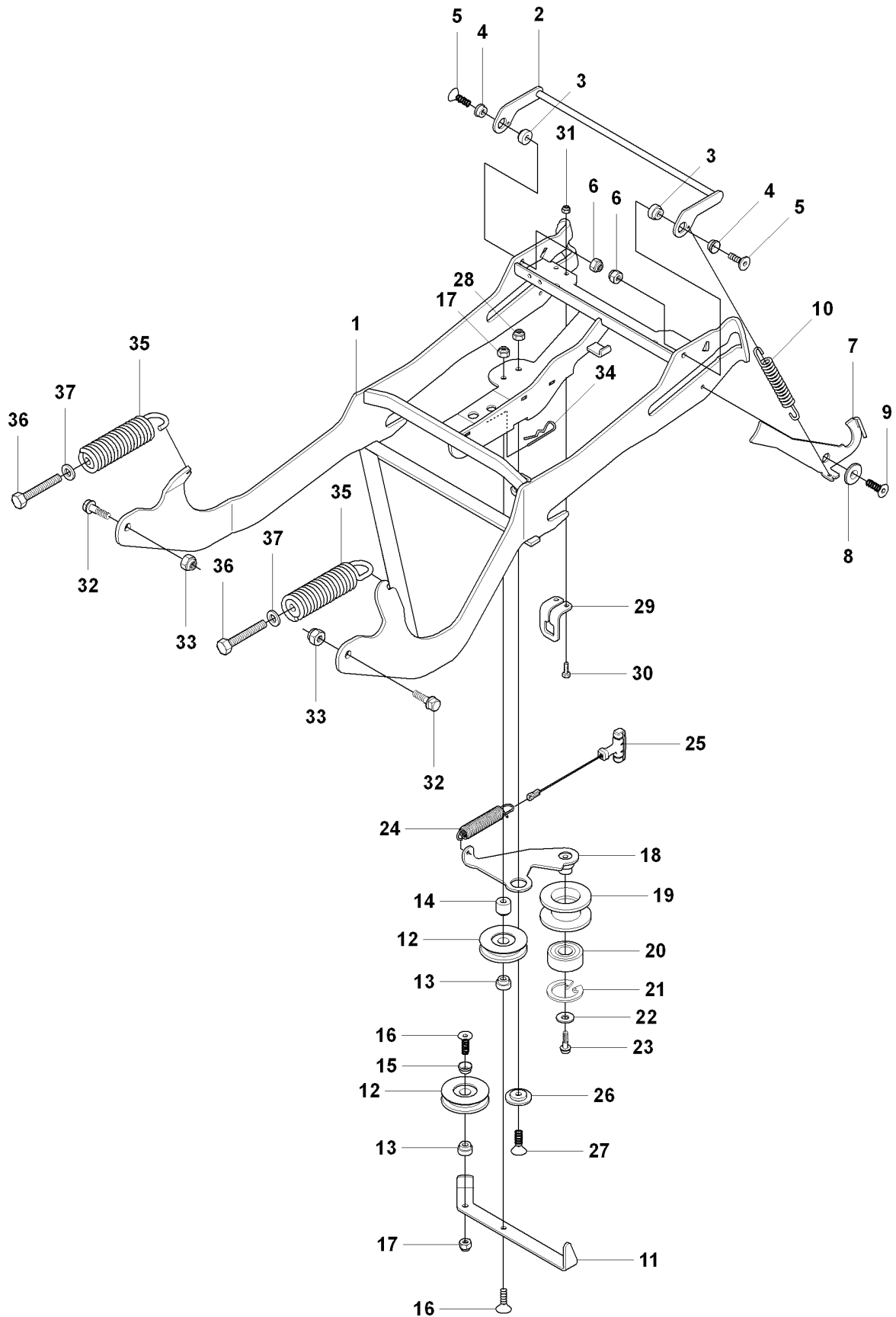


ENGINE

PROFLEX 21 AWD, 965192501, 2008-03

Ref	Part No	Description	Remark	QTY KIT
29	504 54 69-01	BELLOWS		1
30	544 20 27-03	HOSE CLAMP		1

R 965 19 24-01 PF21
965 19 25-01 PF21 AWD
EQUIPMENT FRAME ASSY

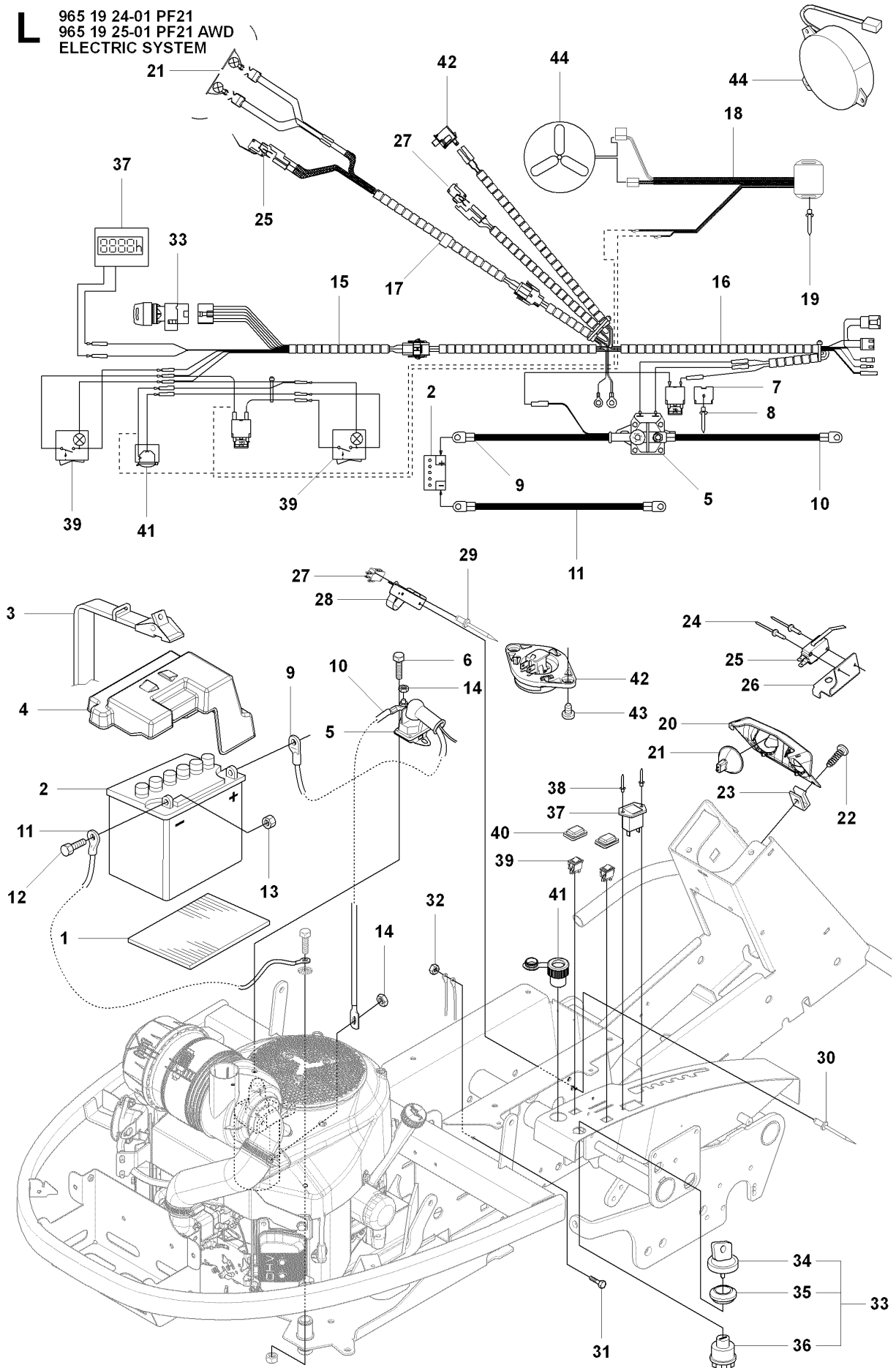


FRAME

PROFLEX 21 AWD, 965192501, 2008-03

Ref	Part No	Description	Remark	QTY KIT
1	502 63 79-01	EQUIPMENT FRAME		1
2	504 55 78-01	HOOK		1
3	544 00 34-01	BUSHING		2
4	506 99 33-02	SLEEVE		2
5	725 64 59-01	SCREW IHCSFM		2
6	732 21 18-01	LOCK NUT		2
7	504 55 80-01	LEVER		1
8	506 91 87-01	WASHER		1
9	725 64 49-01	SCREW IHCSFM		1
10	506 53 56-03	DRAW SPRING		1
11	504 81 28-01	BELT GUIDE		1
12	544 00 46-01	PULLEY ASSY		2
13	544 00 34-01	BUSHING		2
14	544 00 34-02	BUSHING		1
15	506 99 33-02	SLEEVE		1
16	725 24 62-51	SCREW EHHM		2
17	732 21 18-01	LOCK NUT		2
18	504 62 19-01	BELT TENSIONER		1
19	506 92 89-01	PULLEY		1
20	738 21 04-04	BALL BEARING		1
21	735 31 38-10	CIRCLIP		1
22	734 11 64-41	WASHER		1
23	506 55 83-02	SCREW EHHFT		1
24	504 62 24-01	SPRING		1
25	504 62 21-01	HANDLE ASSY		1
26	505 45 17-01	WASHER		1
27	725 64 53-01	SCREW IHCSFM		1
28	732 21 18-01	LOCK NUT		1
29	504 62 17-01	GUIDE		1
30	725 23 68-71	SCREW EHHM		2
31	732 21 16-01	NUT		2
32	506 89 58-01	COLLAR SCREW		2
33	732 25 22-01	HEXAGON LOCKING NUT		2
34	506 96 66-01	HAIR PIN COTTER		1
35	505 42 09-01	SPRING		2
36	725 25 15-71	SCREW EHHM		2
37	734 11 72-01	WASHER		2

L 965 19 24-01 PF21
965 19 25-01 PF21 AWD
ELECTRIC SYSTEM

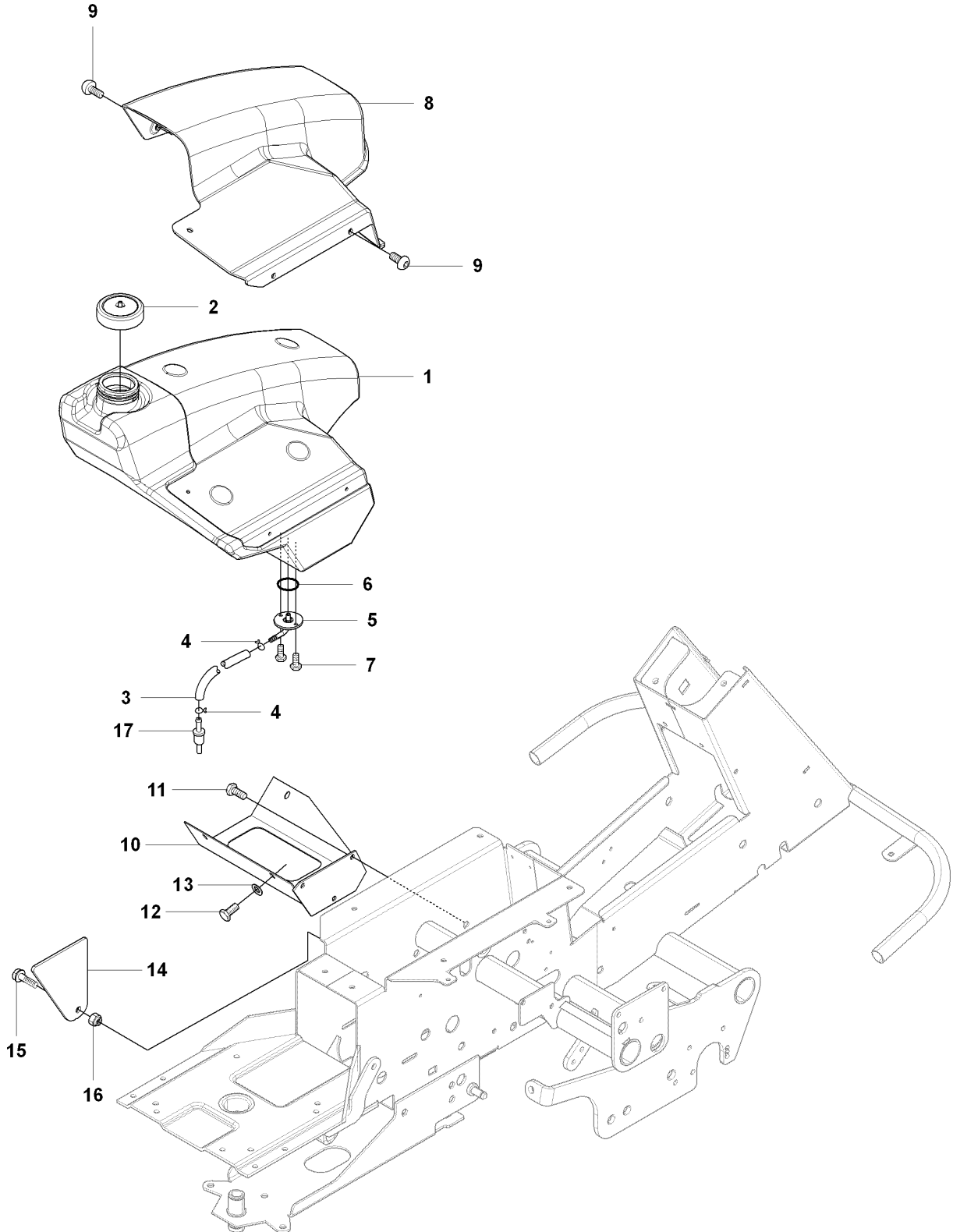


FRONT AXEL

PROFLEX 21 AWD, 965192501, 2008-03

Ref	Part No	Description	Remark	QTY KIT
1	535 44 11-01	BATTERY MAT		1
2	506 78 88-01	BATTERY		1
3	506 83 68-02	BATTERY BELT		1
4	504 63 92-01	COVER		1
5	544 43 98-01	RELAY		1
6	725 23 64-61	SCREW EHHFT		1
7	501 00 75-01	CLIP		1
8	722 78 22-09	BLIND RIVET		1
9	544 92 61-01	CABLE		1
10	544 92 86-01	CABLE		1
11	544 96 76-02	CABLE		1
12	725 23 70-71	SCREW EHHM		2
13	731 23 16-01	HEXAGON NUT		2
14	506 89 98-01	NUT		3
15	501 00 25-01	WIRING		1
16	501 00 24-01	WIRING		1
17	544 84 98-01	WIRING		1
18	504 63 94-01	THERMOSTAT ASSY		1
19	722 78 29-02	BLIND RIVET		2
20	535 44 67-01	HOUSING		1
21	535 44 68-01	LAMP		2
22	535 41 56-19	SCREW		2
23	506 89 20-01	SPEED NUT		2
24	544 44 07-01	RIVET		2
25	544 41 55-01	SWITCH		1
26	544 41 57-01	BRACKET		1
27	535 46 91-01	SWITCH		1
28	535 45 70-01	PLATE SPRING		1
29	544 44 07-01	RIVET		2
30	722 78 39-02	BLIND RIVET		2
31	725 23 25-51	SCREW		1
32	731 23 14-01	HEXAGON NUT		1
33	535 47 49-01	KEY SWITCH		1
34	535 47 50-01	WASHER		1
35	535 47 60-01	IGNITION KEY		1
36	504 85 17-01	KEY SWITCH		1
37	535 40 92-01	HOUR METER		1
38	722 78 25-02	RIVET		2
39	535 46 23-01	SWITCH		2
40	535 46 24-01	SHIELDING MEDIUM		2
41	535 47 48-01	POWER SOCKET		1
42	506 56 56-01	SÄTESBRYTARE KPL		1
43	503 21 88-16	SCREW IHST		2
44	504 62 93-01	FAN		1

B 965 19 24-01 PF21
965 19 25-01 PF21 AWD
FUEL SYSTEM

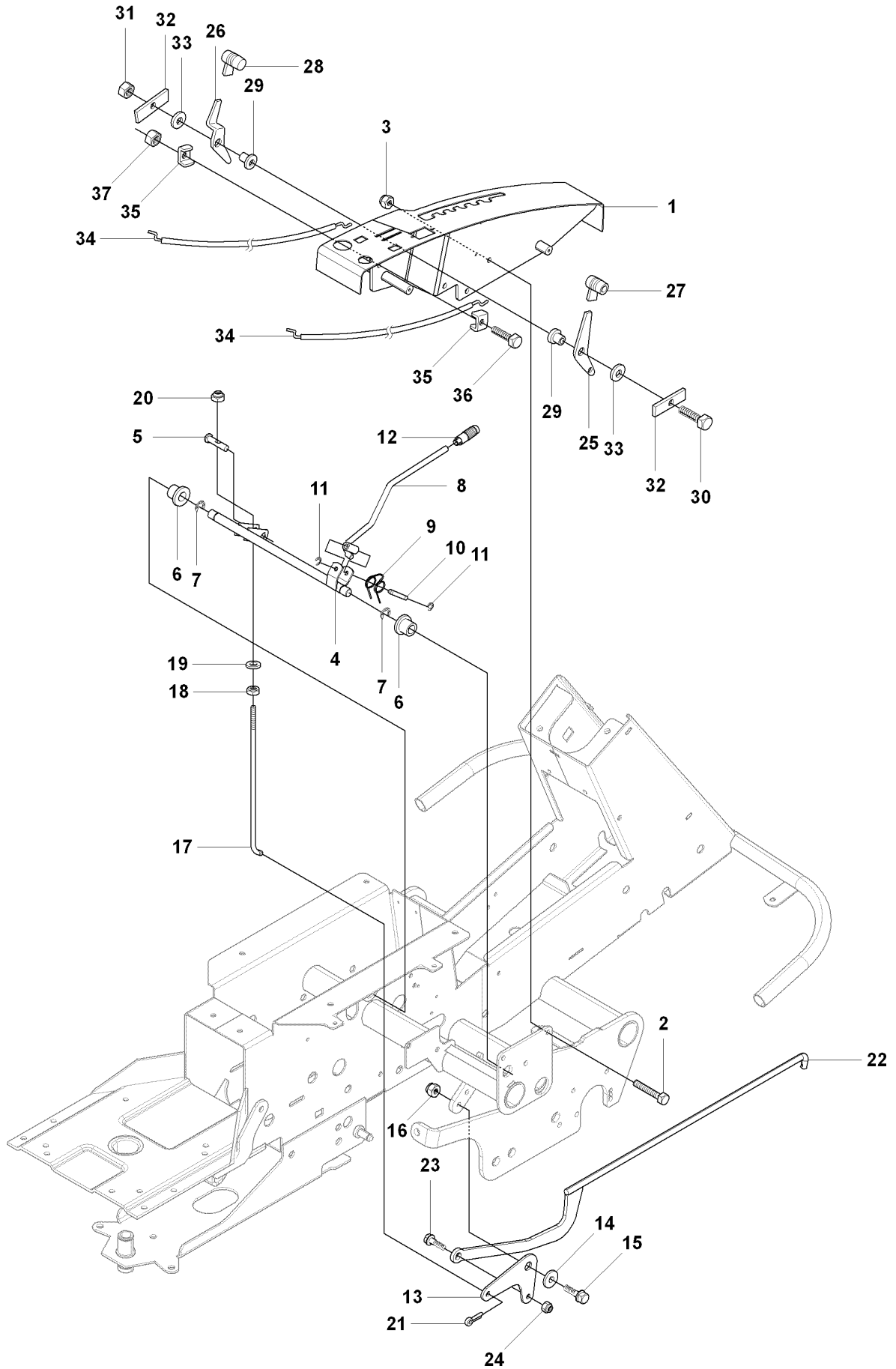


FUEL SYSTEM

PROFLEX 21 AWD, 965192501, 2008-03

Ref	Part No	Description	Remark	QTY KIT
1	535 42 52-01	FUEL TANK		1
2	506 67 33-01	TANK CAP ASSY		1
3	506 94 67-05	FUEL HOSE		1
4	535 46 97-01	HOSE BRACE		2
5	506 89 18-01	CONNECTION		1
6	740 48 12-02	O-RING		1
7	535 41 56-19	SCREW		2
8	535 43 27-01	DESIGN COVER TANK		1
9	535 42 58-01	SCREW IHPANM		5
10	535 43 86-01	BRACKET		1
11	725 24 51-71	SCREW EHHM		3
12	725 23 66-51	HEXAGONAL SCREW M6X12		3
13	734 11 56-01	WASHER		3
14	535 43 88-01	TANK SUPPORT		1
15	725 24 95-71	SCREW EHHM		1
16	732 21 20-01	NUT		1
17	506 79 10-01	FUEL FILTER		1

E 965 19 24-01 PF21
965 19 25-01 PF21 AWD
HEIGHT ADJUSTER
CONTROL UNIT



HEIGHT ADJUSTMENT

PROFLEX 21 AWD, 965192501, 2008-03

Ref	Part No	Description	Remark	QTY KIT
1	535 47 54-01	CONTROL PLATE		1
2	725 24 51-71	SCREW EHHM		3
3	732 21 18-01	LOCK NUT		3
4	506 78 45-02	CONTROL LEVER		1
5	506 78 46-01	PEN		1
6	506 55 43-01	BEARING		2
7	735 31 22-20	E-CLIP		2
8	506 78 47-01	REGLERSPAK KPL.		1
9	506 53 14-01	SPRING		1
10	506 53 15-01	SHAFT		1
11	735 31 09-20	E-CLIP		2
12	506 54 20-01	HANDLE		1
13	502 63 63-01	LINK		1
14	506 91 87-02	WASHER		1
15	725 24 53-71	SCREW EHHM		1
16	732 21 16-01	NUT		1
17	506 85 45-01	HEIGHT ROD		1
18	731 23 18-01	HEXAGON NUT		1
19	734 11 72-01	WASHER		1
20	732 21 18-01	LOCK NUT		1
21	721 61 83-01	SPLIT PIN		1
22	502 63 64-02	CONNECTOR		1
23	506 59 74-01	COLLAR SCREW		1
24	731 23 18-01	HEXAGON NUT		1
25	506 86 59-03	CONTROL		1
26	506 86 59-04	CONTROL		1
27	506 88 91-01	KNOB		1
28	506 88 91-02	KNOB		1
29	506 88 89-01	BUSHING		2
30	725 23 74-71	SCREW EHHM		1
31	732 21 16-01	NUT		1
32	506 92 85-02	LOCK WASHER		2
33	506 83 94-01	SPRING WASHER		2
34	506 86 39-07	GASWIRE KPL.		2
35	506 50 82-01	CLIP		2
36	725 23 35-51	SCREW EHHM		1
37	732 21 14-01	LOCK NUT		1

HYDRAULIC PUMP - MOTOR

PROFLEX 21 AWD, 965192501, 2008-03

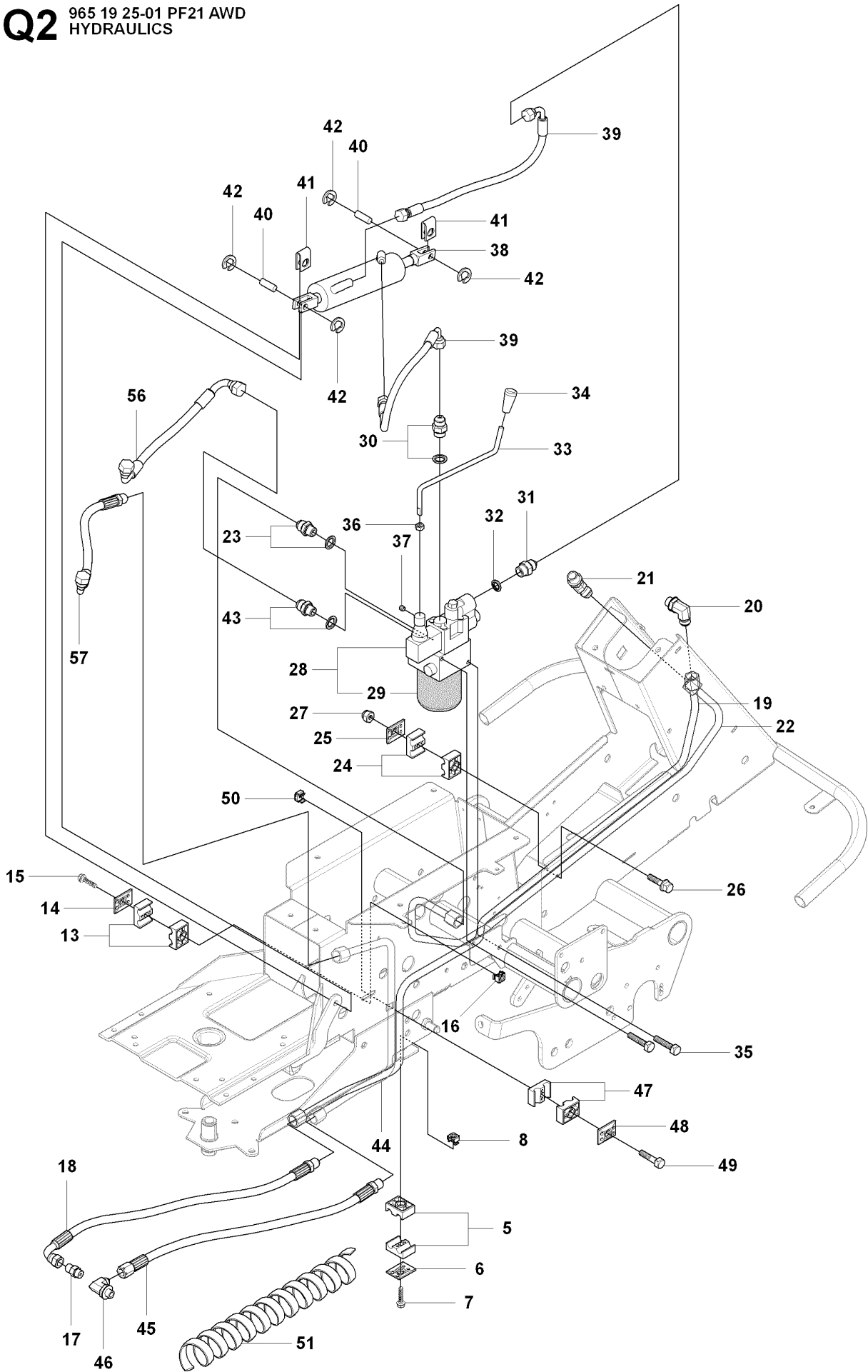
Ref	Part No	Description	Remark	QTY KIT
1	535 42 65-01	PIPE FITTING		1
2	535 45 03-01	HYDRAULIC HOSE		1
3	544 83 42-01	HYDRAULIC PIPE		1
4	535 43 73-01	PIPE FITTING		1
5	535 42 69-01	PIPE FITTING		1
6	504 20 99-01	HYDRAULIC PIPE		1
7	535 42 68-01	PIPE FITTING		1
8	544 37 33-03	PIPE CLAMP		1
9	535 43 85-01	COVER WASHER		1
10	535 47 52-45	SCREW EHHFM		1
11	732 21 16-01	NUT		1
12	535 42 74-02	FILTERBLOCK ASSY		1
13	535 42 75-02	FILTER		1
14	535 43 70-01	PIPE FITTING		1
15	535 43 71-01	PIPE FITTING		1
16	535 43 72-01	RUBBER STEEL WASHER		1
17	505 44 00-01	LIFTING LEVER		1
18	535 43 82-01	KNOB		1
19	725 24 49-71	SCREW EHHM		2
20	731 23 18-01	HEXAGON NUT		1
21	728 84 43-05	SCREW IHSETM		1
22	535 42 72-01	CYLINDER ASSY		1
23	535 42 71-03	HYDRAULIC HOSE		2
24	535 43 76-01	LOCKING PIN		2
25	535 45 66-01	U-PLÅT		2
26	735 31 12-00	CIRCLIP		4
27	535 42 68-01	PIPE FITTING		1
28	544 83 44-01	HYDRAULIC PIPE		1
29	535 45 04-02	HYDRAULIC HOSE		1
30	535 42 66-01	PIPE FITTING		1
31	544 37 33-03	PIPE CLAMP		1
32	535 43 85-01	COVER WASHER		1
33	535 47 52-45	SCREW EHHFM		1
34	544 81 17-02	CAGE NUT		1
35	544 02 66-01	HOSE GUARD		1

HYDRAULIC PUMP - MOTOR

PROFLEX 21 AWD, 965192501, 2008-03

Ref	Part No	Description	Remark	QTY KIT
1	535 42 65-07	PIPE FITTING		2
2	544 45 04-01	HYDRAULIC PIPE		1
3	544 45 05-01	HYDRAULIC PIPE		1
4	544 45 64-01	HYDRAULIC HOSE		2
9	535 42 66-03	PIPE FITTING		1
10	544 44 89-01	HYDRAULIC PIPE		1
11	544 12 22-02	HOSE		1
12	544 20 27-01	HOSE CLAMP		1
51	544 02 66-03	HOSE GUARD		1
52	504 62 96-01	BRACKET		1
53	504 62 97-01	BRACKET		1
54	535 47 52-12	SCREW EHHFM		7
55	732 21 16-01	NUT		3
56	505 52 04-01	HYDRAULIC HOSE		1
57	505 49 69-01	HYDRAULIC HOSE		1
58	505 45 90-01	OIL COOLER		1
59	504 62 93-01	FAN		1
60	505 45 91-01	OIL COOLER		1
61	505 45 92-01	FAN COVER		1
62	505 45 93-01	AIR INLET		1
63	725 23 66-71	SCREW EHHM		6
64	725 23 70-71	SCREW EHHM		1
65	734 11 52-01	WASHER		7

Q2 965 19 25-01 PF21 AWD
HYDRAULICS

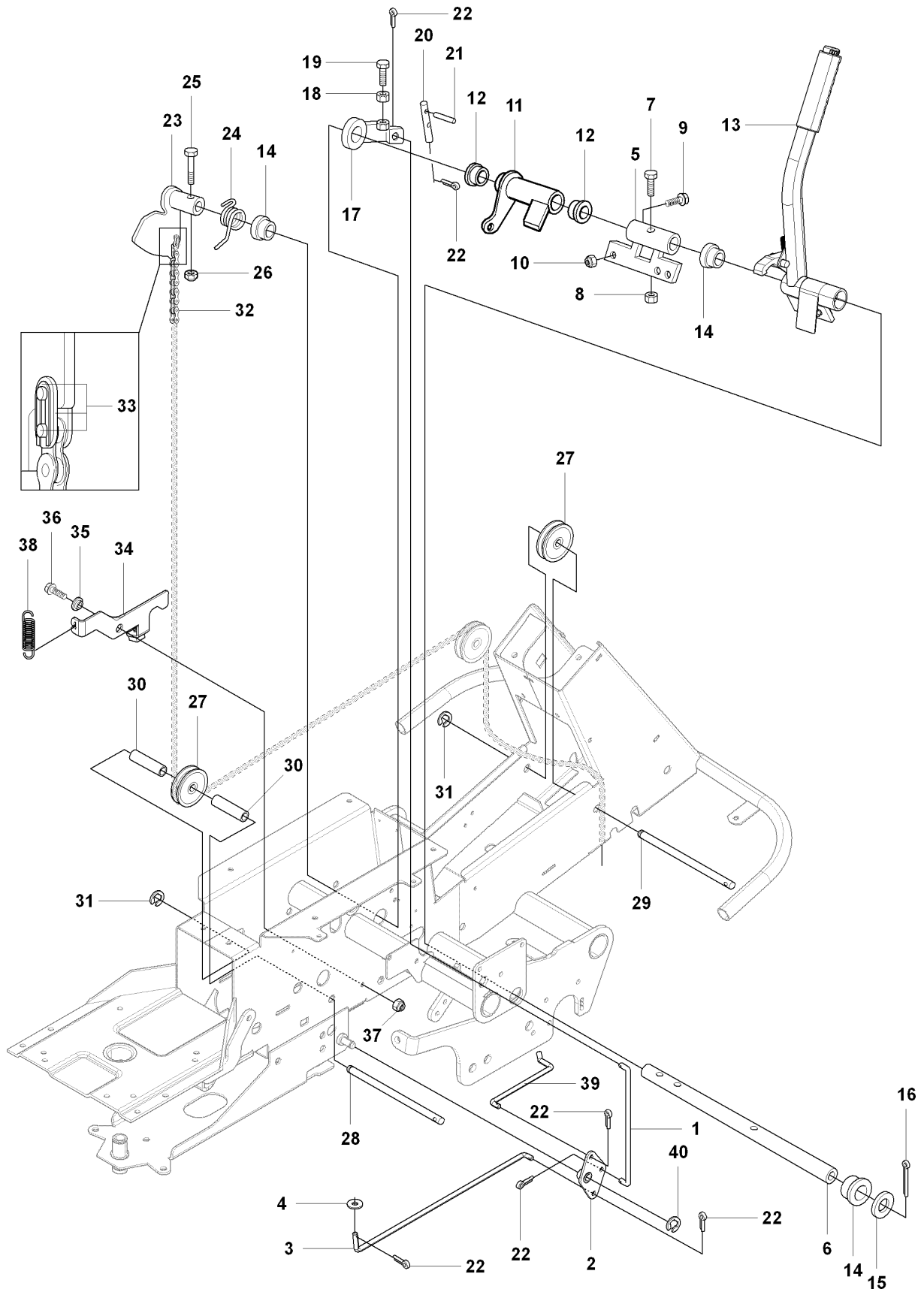


HYDRAULIC PUMP - MOTOR

PROFLEX 21 AWD, 965192501, 2008-03

Ref	Part No	Description	Remark	QTY KIT
5	544 37 33-02	PIPE CLAMP		1
6	544 37 38-02	COVER PLATE		1
7	506 57 01-07	SCREW EHHFM		1
8	544 81 17-01	CAGE NUT		1
13	544 37 33-03	PIPE CLAMP		1
14	535 43 85-01	COVER WASHER		1
15	535 47 52-45	SCREW EHHFM		1
16	544 81 17-02	CAGE NUT		1
17	535 42 65-01	PIPE FITTING		1
18	535 45 03-01	HYDRAULIC HOSE		1
19	544 83 42-01	HYDRAULIC PIPE		1
20	535 43 73-01	PIPE FITTING		1
21	535 42 69-01	PIPE FITTING		1
22	504 20 99-01	HYDRAULIC PIPE		1
23	535 42 68-01	PIPE FITTING		1
24	544 37 33-03	PIPE CLAMP		1
25	535 43 85-01	COVER WASHER		1
26	535 47 52-45	SCREW EHHFM		1
27	732 21 16-01	NUT		1
28	535 42 74-02	FILTERBLOCK ASSY		1
29	535 42 75-02	FILTER		1
30	535 43 70-01	PIPE FITTING		1
31	535 43 71-01	PIPE FITTING		1
32	535 43 72-01	RUBBER STEEL WASHER		1
33	505 44 00-01	LIFTING LEVER		1
34	535 43 82-01	KNOB		1
35	725 24 49-71	SCREW EHHM		2
36	731 23 18-01	HEXAGON NUT		1
37	728 84 43-05	SCREW IHSETM		1
38	535 42 72-01	CYLINDER ASSY		1
39	535 42 71-03	HYDRAULIC HOSE		2
40	535 43 76-01	LOCKING PIN		2
41	535 45 66-01	U-PLÅT		2
42	735 31 12-00	CIRCLIP		4
43	535 42 68-01	PIPE FITTING		1
44	504 64 34-01	HYDRAULIC PIPE		1
45	535 45 04-02	HYDRAULIC HOSE		1
46	535 42 66-01	PIPE FITTING		1
47	544 37 33-03	PIPE CLAMP		1
48	535 43 85-01	COVER WASHER		1
49	535 47 52-45	SCREW EHHFM		1
50	544 81 17-02	CAGE NUT		1
56	505 52 04-01	HYDRAULIC HOSE		1
57	505 49 69-01	HYDRAULIC HOSE		1

D 965 19 24-01 PF21
965 19 25-01 PF21 AWD
LIFTING SYSTEM

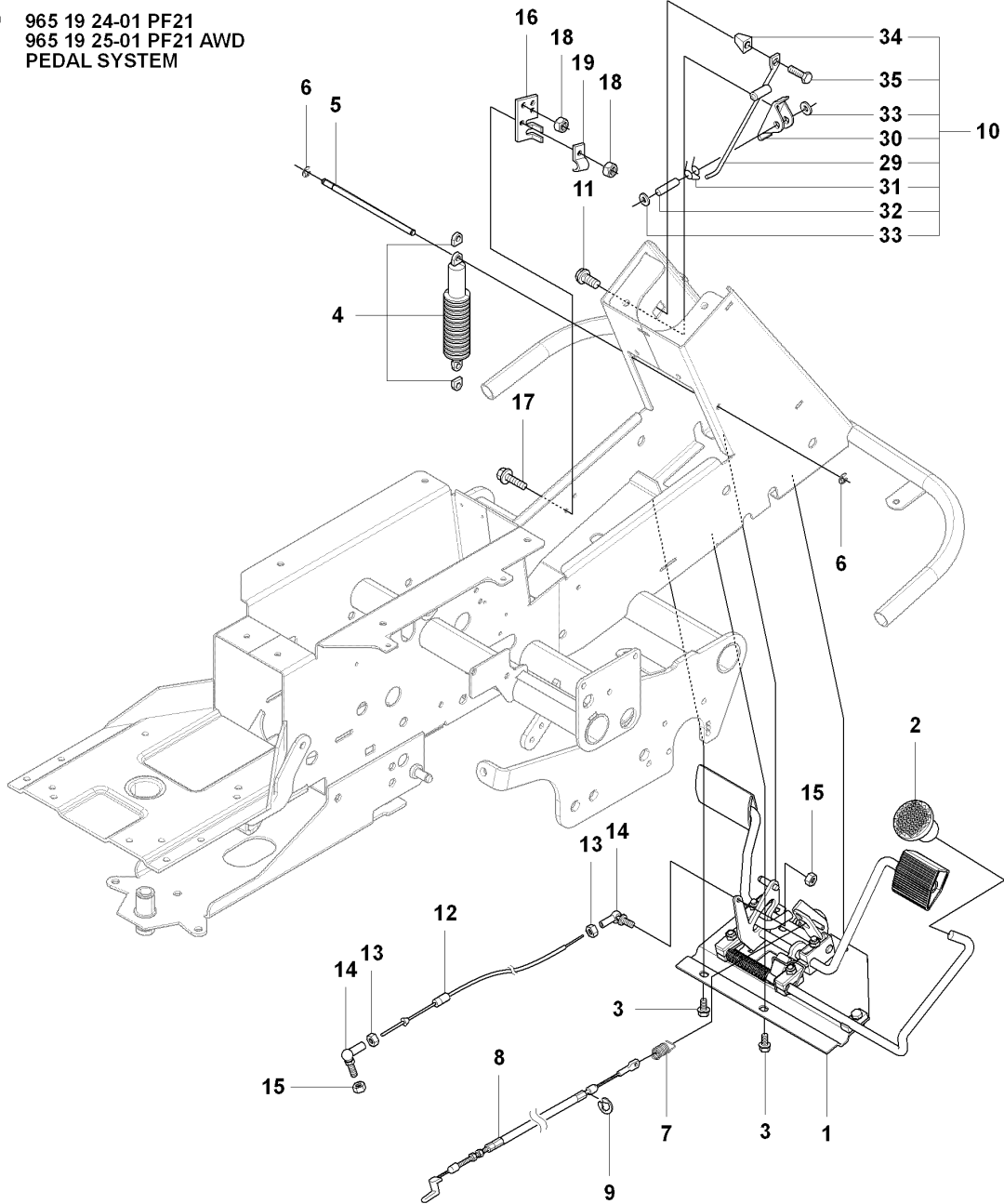


MOWER LIFT / DECK LIFT

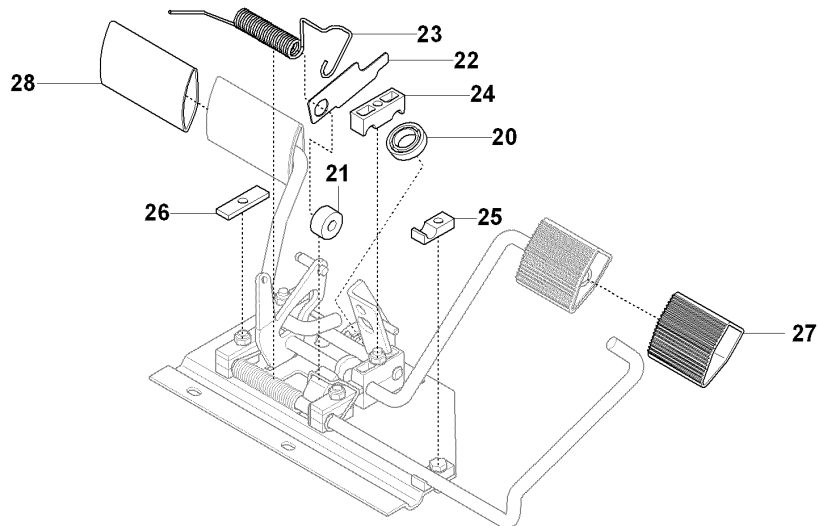
PROFLEX 21 AWD, 965192501, 2008-03

Ref	Part No	Description	Remark	QTY KIT
1	506 66 59-01	CLUTCH ROD FRONT		1
2	504 63 67-01	LINK		1
3	535 44 47-02	CLUTCH ROD REAR		1
4	734 11 64-41	WASHER		1
5	506 95 11-01	DRIVER ASSY		1
6	506 96 80-01	SHAFT		1
7	725 25 44-51	SCREW EHHM		1
8	732 25 22-01	HEXAGON LOCKING NUT		1
9	725 24 53-51	SCREW EHHM		2
10	731 23 18-01	HEXAGON NUT		2
11	506 95 14-01	ACTUATOR		1
12	506 55 65-01	BEARING		2
13	504 90 79-01	LIFTING LEVER ASSY		1
14	506 55 65-01	BEARING		3
15	506 51 57-01	WASHER		1
16	721 62 01-01	SPLIT PIN		1
17	506 78 43-01	LINK ASSY		1
18	731 23 20-51	HEXAGON NUT		1
19	725 24 97-51	SCREW		1
20	506 90 53-01	PEN		1
21	721 12 59-30	GROOVED PIN		1
22	721 61 83-01	SPLIT PIN		6
23	506 94 05-01	LIFTING ARM		1
24	506 81 70-01	SPRING		1
25	725 25 44-71	SCREW EHHM		1
26	732 25 22-01	HEXAGON LOCKING NUT		1
27	506 90 56-01	OFFSET PULLEY		2
28	506 90 57-01	SHAFT		1
29	506 90 57-02	SHAFT		1
30	506 90 58-01	TUBE SLEEVE		2
31	735 31 18-20	E-CLIP		2
32	506 55 46-08	CHAIN		1
33	506 55 47-01	LINKAGE		1
34	504 62 87-01	BRAKE LEVER		1
35	506 91 87-02	WASHER		1
36	506 57 01-05	SCREW EHHFM		1
37	732 21 18-01	LOCK NUT		1
38	506 54 25-01	SPRING		1
39	504 63 68-01	ROD		1
40	735 31 14-20	E-CLIP		1

F 965 19 24-01 PF21
965 19 25-01 PF21 AWD
PEDAL SYSTEM



PEDALS

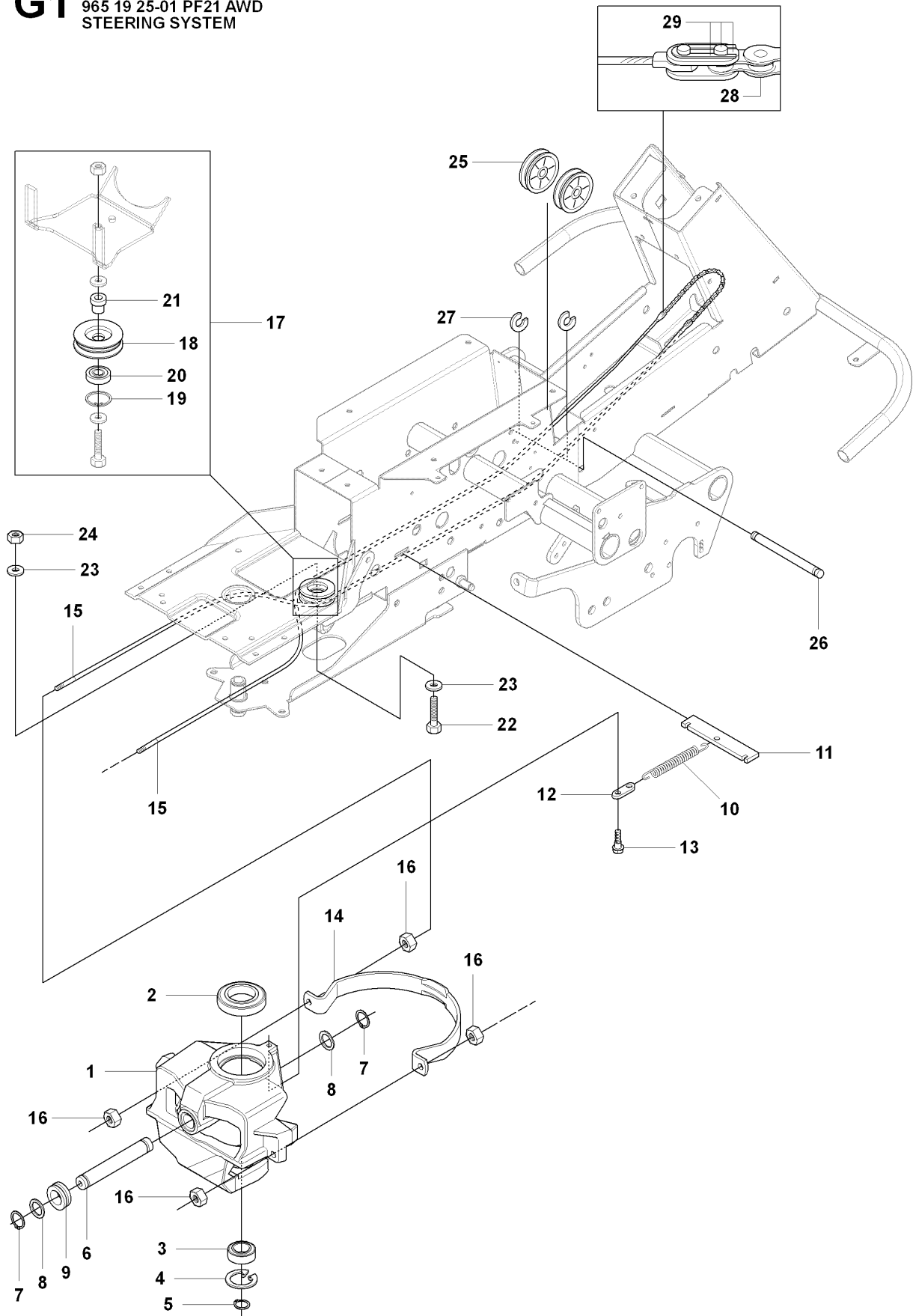


PEDALS

PROFLEX 21 AWD, 965192501, 2008-03

Ref	Part No	Description	Remark	QTY KIT
1	544 12 60-01	PEDAL PLATE ASSY		1
2	535 47 37-01	KNOB		1
3	506 57 01-04	SCREW EHHFM		4
4	506 93 83-01	DAMPING PIECE		1
5	506 93 84-02	SHAFT		1
6	735 31 09-20	E-CLIP		2
7	506 94 63-01	BRAKE SPRING		1
8	506 99 27-02	BROMSWIRE KPL.		1
8	535 48 96-01	BROMSWIRE KPL		1
9	735 31 09-20	E-CLIP		1
10	506 53 84-04	BROMSSPÄRR KPL. GEM.		1
11	725 23 64-61	SCREW EHHFT		2
12	505 51 51-01	CONTROL CABLE		1
13	731 23 14-01	HEXAGON NUT		2
14	506 55 73-01	VINKELL.AS8 DIN71802		2
15	732 21 14-01	LOCK NUT		2
16	506 80 00-01	BRACKET		1
17	535 47 53-16	SCREW EHHFM		2
18	732 21 14-01	LOCK NUT		2
19	506 56 65-01	CLIP		1
20	738 21 02-04	BALL BEARING		1
21	535 48 02-01	ROLLER		1
22	535 48 06-01	PROTECTIVE PLATE		1
23	535 48 07-01	SPRING		1
24	535 48 08-01	BEARING SUPPORT		4
25	535 48 09-01	BEARING SUPPORT		5
26	535 48 10-01	REINFORCEMENT PLATE		3
27	535 47 88-01	PEDAL RUBBER		1
28	535 47 88-02	PEDAL RUBBER		1
29	506 53 85-01	LOCKING ARM		1
30	506 53 86-01	BRACKET		1
31	506 53 89-01	SPRING		1
32	506 53 88-01	SHAFT		1
33	735 58 35-01	WASHER		2
34	506 53 87-04	CONTROL BUTTON		1
35	729 53 29-71	SCREW CRPANT		1

G1 965 19 24-01 PF21
965 19 25-01 PF21 AWD
STEERING SYSTEM



STEERING

PROFLEX 21 AWD, 965192501, 2008-03

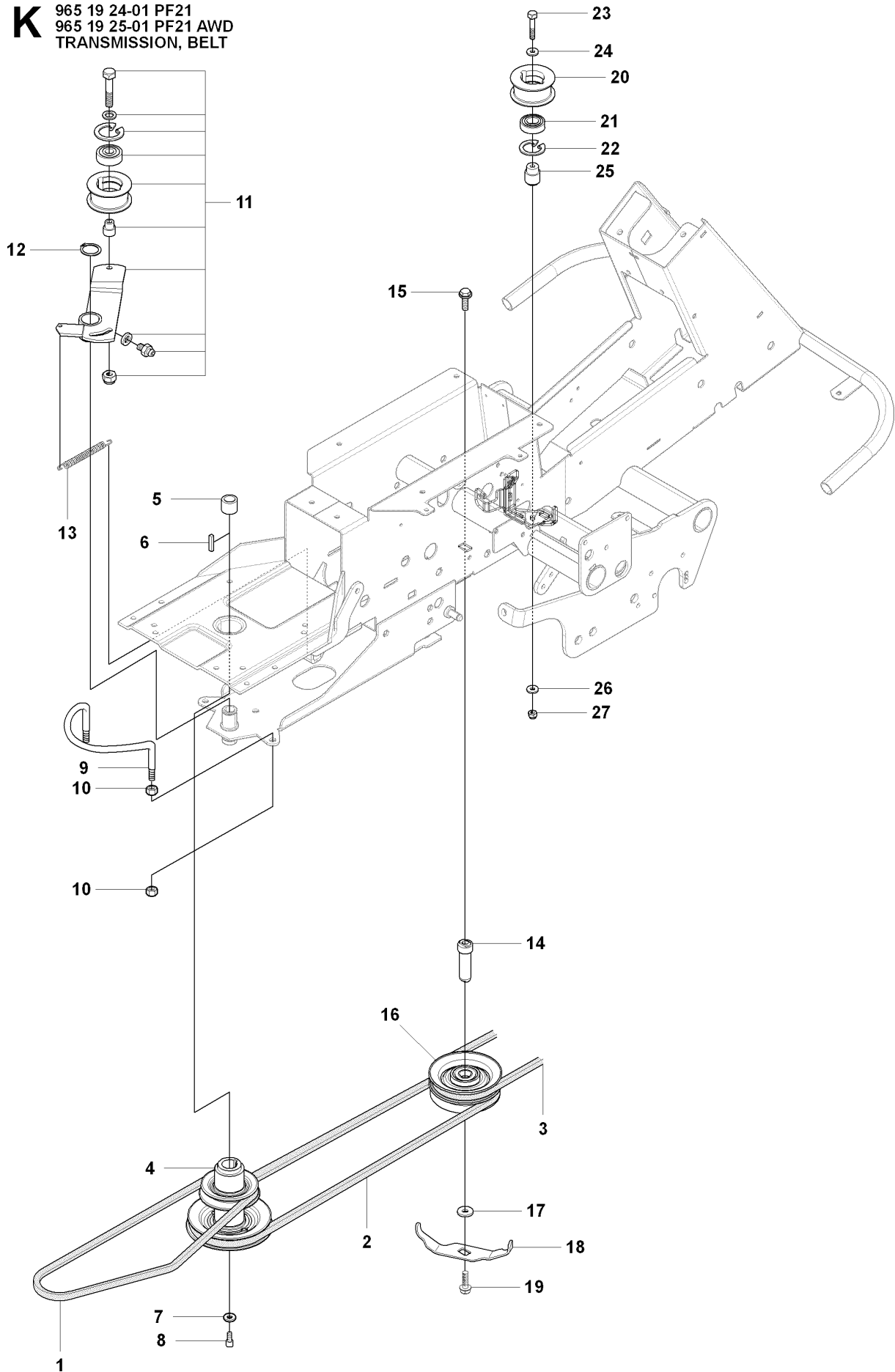
Ref	Part No	Description	Remark	QTY KIT
1	506 93 47-02	SPINDLE		1
2	738 21 10-04	BALL BEARING		1
3	738 21 05-04	BALL BEARING		1
4	735 31 40-10	CIRCLIP		1
5	735 31 26-00	CIRCLIP		1
6	535 46 30-01	SWING AXLE		1
7	735 31 26-00	CIRCLIP		2
8	506 77 34-01	WASHER		2
9	740 68 14-21	V-RING		1
10	506 67 19-01	SPRING		1
11	506 57 63-01	SPRING RETAINER		1
12	506 67 08-01	LINK		1
13	506 59 74-01	COLLAR SCREW		1
14	544 42 73-01	WIRE GUIDE		1
15	506 58 91-03	WIRE ASSY		2
16	731 23 20-51	HEXAGON NUT		4
17	506 50 09-03	BARRING WHEEL		1
18	535 42 41-01	BARRING WHEEL		1
19	735 31 40-10	CIRCLIP		1
20	738 22 04-19	BALL BEARING		1
21	506 50 08-02	BUSHING		1
22	725 25 00-51	SCREW EHHM		1
23	734 11 74-41	WASHER		2
24	732 21 20-51	NUT		1
25	506 52 24-01	STARTER PULLEY		2
26	506 53 94-01	SHAFT		1
27	735 31 14-20	E-CLIP		2
28	506 55 46-01	CHAIN		1
29	506 55 47-01	LINKAGE		2

STEERING COLUMN

PROFLEX 21 AWD, 965192501, 2008-03

Ref	Part No	Description	Remark	QTY KIT
30	502 63 60-01	COMFORT STEERING		1
31	728 84 43-05	SCREW IHSETM		2
32	506 86 34-01	DRIVER		2
33	735 31 26-00	CIRCLIP		2
34	535 42 37-01	BELLOWS		1
35	535 43 28-01	SCREW IHSCM		3
36	535 42 36-01	BEARING HOUSING		1
37	738 21 05-04	BALL BEARING		2
38	735 31 40-10	CIRCLIP		1
39	535 42 19-01	STEERING ROD		1
40	502 29 62-01	REINFORCING TUBE		1
41	725 53 70-01	SCREW IHSCM		3
42	535 42 35-01	BEARING HOUSING		1
43	721 43 35-01	SPRING PIN		1
44	535 45 71-02	COMFORT STEERING		1
45	535 42 78-01	BALL BEARING		1
46	735 31 33-00	CIRCLIP		1
47	504 53 82-01	BEARING CAGE		1
48	506 57 01-04	SCREW EHHFM		4
49	544 37 52-01	STEERING WHEEL		1
50	728 74 55-05	SCREW IHSETM		1
51	731 23 18-01	HEXAGON NUT		1
52	544 43 32-01	PROTECTIVE COVER		1

K 965 19 24-01 PF21
 965 19 25-01 PF21 AWD
 TRANSMISSION, BELT



TRANSMISSION

PROFLEX 21 AWD, 965192501, 2008-03

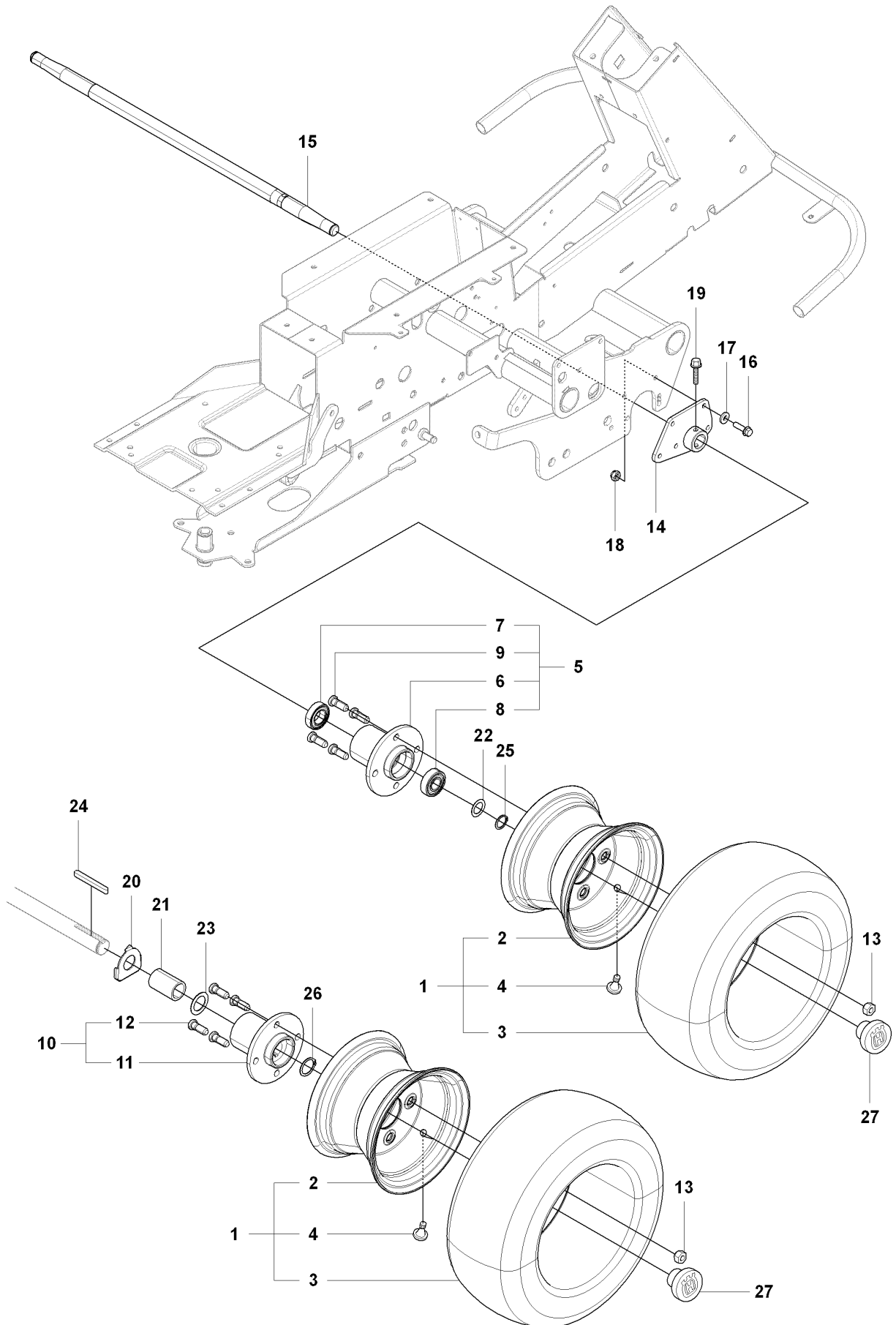
Ref	Part No	Description	Remark	QTY KIT
1	506 99 19-01	DRIVE BELT		1
2	535 42 47-01	DRIVE BELT		1
3	535 42 48-01	DRIVE BELT		1
4	535 48 24-01	PULLEY		1
5	506 50 92-01	SPACING SLEEVE		1
6	506 55 59-01	WEDGE		1
7	506 59 75-01	WASHER		1
8	506 55 60-02	SCREW UNC		1
9	506 66 45-01	BELT GUIDE		1
10	731 23 20-51	HEXAGON NUT		4
11	535 48 44-02	BELT TENSIONER ASSY		1
12	735 31 26-00	CIRCLIP		1
13	506 66 56-01	SPRING		1
14	544 42 61-02	SHAFT		1
15	506 67 54-02	SCREW EHHFM		1
16	535 48 22-01	MELLANHJUL		1
17	506 77 57-01	WASHER		1
18	544 40 53-01	BELT GUIDE		1
19	506 57 01-05	SCREW EHHFM		1
20	506 92 89-01	PULLEY		1
21	738 21 04-04	BALL BEARING		1
22	735 31 38-10	CIRCLIP		1
23	725 24 61-51	SCREW EHHM		1
24	734 11 64-41	WASHER		1
25	544 00 29-01	BUSHING		1
26	734 11 64-01	WASHER		1
27	732 21 18-01	LOCK NUT		1

TRANSMISSION

PROFLEX 21 AWD, 965192501, 2008-03

Ref	Part No	Description	Remark	QTY KIT
1	535 48 29-01	TRANSMISSION		1
2	725 24 67-51	SCREW EHHM		1
3	725 24 64-51	SCREW EHHM		1
4	535 42 38-03	SCREW RSQM		1
5	734 11 64-01	WASHER		3
6	732 21 18-01	LOCK NUT		3
7	544 00 89-02	BEARING		1
8	544 00 90-02	BEARING HOUSING		1
9	506 57 01-05	SCREW EHHFM		2
10	734 11 64-01	WASHER		2
11	732 21 18-01	LOCK NUT		2
12	544 43 52-01	LEVER		1
13	503 73 58-01	BUSHING		1
14	535 49 97-01	ARM		1
15	721 43 47-01	SPRING PIN		1
16	544 84 15-01	LINK ASSY		1
17	535 49 28-02	BRACKET		1
18	544 45 67-01	ROD		1
19	544 84 17-01	SCREW		1
20	725 23 70-71	SCREW EHHM		1
21	732 25 16-01	HEXAGON LOCKING NUT		1
22	535 49 74-01	LEVER		1
23	506 95 17-01	ROD END		2
24	535 47 52-12	SCREW EHHFM		2
25	544 44 19-01	ADJUSTING ROD		1
26	732 25 16-01	HEXAGON LOCKING NUT		1
27	535 48 66-01	ROD END		1
28	535 48 66-02	ROD END		1
29	535 48 65-01	ROD		1
30	731 23 16-01	HEXAGON NUT		1
31	503 22 10-18	HEXAGON NUT		1
32	725 23 66-51	HEXAGONAL SCREW M6X12		2
33	725 24 93-71	SCREW EHHM		2
34	732 21 16-01	NUT		1
35	544 84 57-01	SKID PLATE		1
36	506 57 01-04	SCREW EHHFM		3

J 965 19 24-01 PF21
WHEEL ASSY

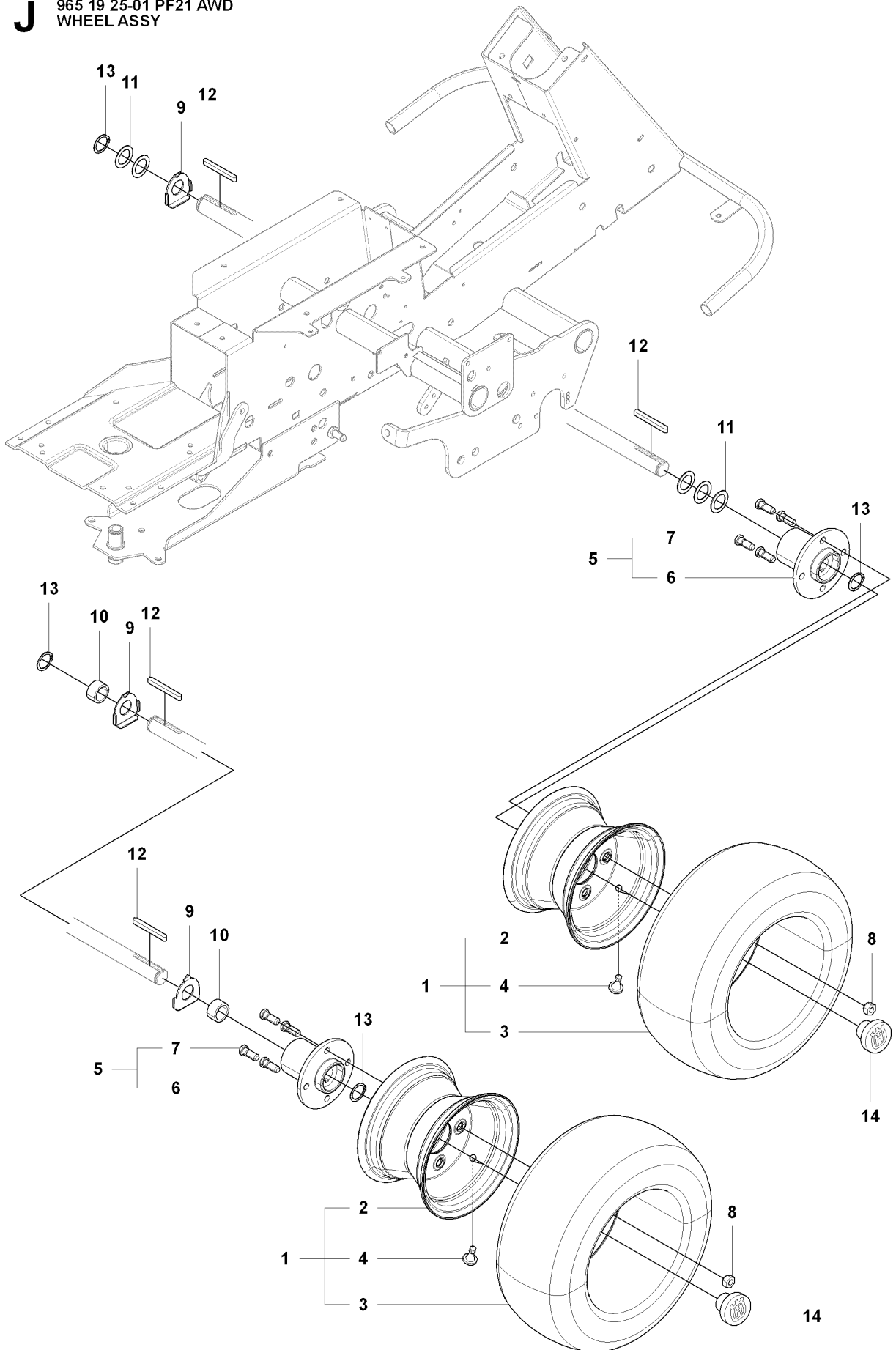


WHEELS & TIRES

PROFLEX 21 AWD, 965192501, 2008-03

Ref	Part No	Description	Remark	QTY KIT
1	504 63 00-02	WHEEL ASSY		4
2	506 86 78-01	RIM		1
3	535 46 79-01	TYRE		1
4	506 57 43-01	VALVE ASSY		1
5	506 86 47-01	HUB ASSY		2
6	506 89 01-01	HUB		1
7	738 21 05-04	BALL BEARING		1
8	738 22 04-19	BALL BEARING		1
9	506 89 02-01	BOLT		4
10	506 86 46-01	HUB ASSY		2
11	506 89 00-01	HUB		1
12	506 89 02-01	BOLT		4
13	506 86 50-01	WHEEL NUT		16
14	504 61 98-01	BRACKET		2
15	505 45 30-01	FRONT AXLE		1
16	506 57 01-05	SCREW EHHFM		6
17	734 11 64-01	WASHER		6
18	732 21 18-01	LOCK NUT		6
19	725 24 59-61	SCREW EHHFT		1
20	505 51 24-01	WASHER STEEL		2
21	506 80 09-01	SLEEVE		2
22	506 50 48-05	WASHER		2
23	506 50 48-06	WASHER		2
24	506 55 59-01	WEDGE		2
25	735 31 22-00	CIRCLIP		2
26	735 31 26-00	CIRCLIP		2
27	506 86 48-01	PROTECTIVE COVER		4

J 965 19 25-01 PF21 AWD
WHEEL ASSY



WHEELS & TIRES

PROFLEX 21 AWD, 965192501, 2008-03

Ref	Part No	Description	Remark	QTY KIT
1	504 63 00-02	WHEEL ASSY		4
2	506 86 78-01	RIM		1
3	535 46 79-01	TYRE		1
4	506 57 43-01	VALVE ASSY		1
5	506 86 46-01	HUB ASSY		4
6	506 89 00-01	HUB		1
7	506 89 02-01	BOLT		4
8	506 86 50-01	WHEEL NUT		16
9	505 51 24-01	WASHER STEEL		3
10	506 80 09-08	SLEEVE		2
11	506 50 48-06	WASHER		5
12	506 55 59-01	WEDGE		4
13	735 31 26-00	CIRCLIP		4
14	506 86 48-01	PROTECTIVE COVER		4