

Snow Thrower

Spare parts

Ersatzteile

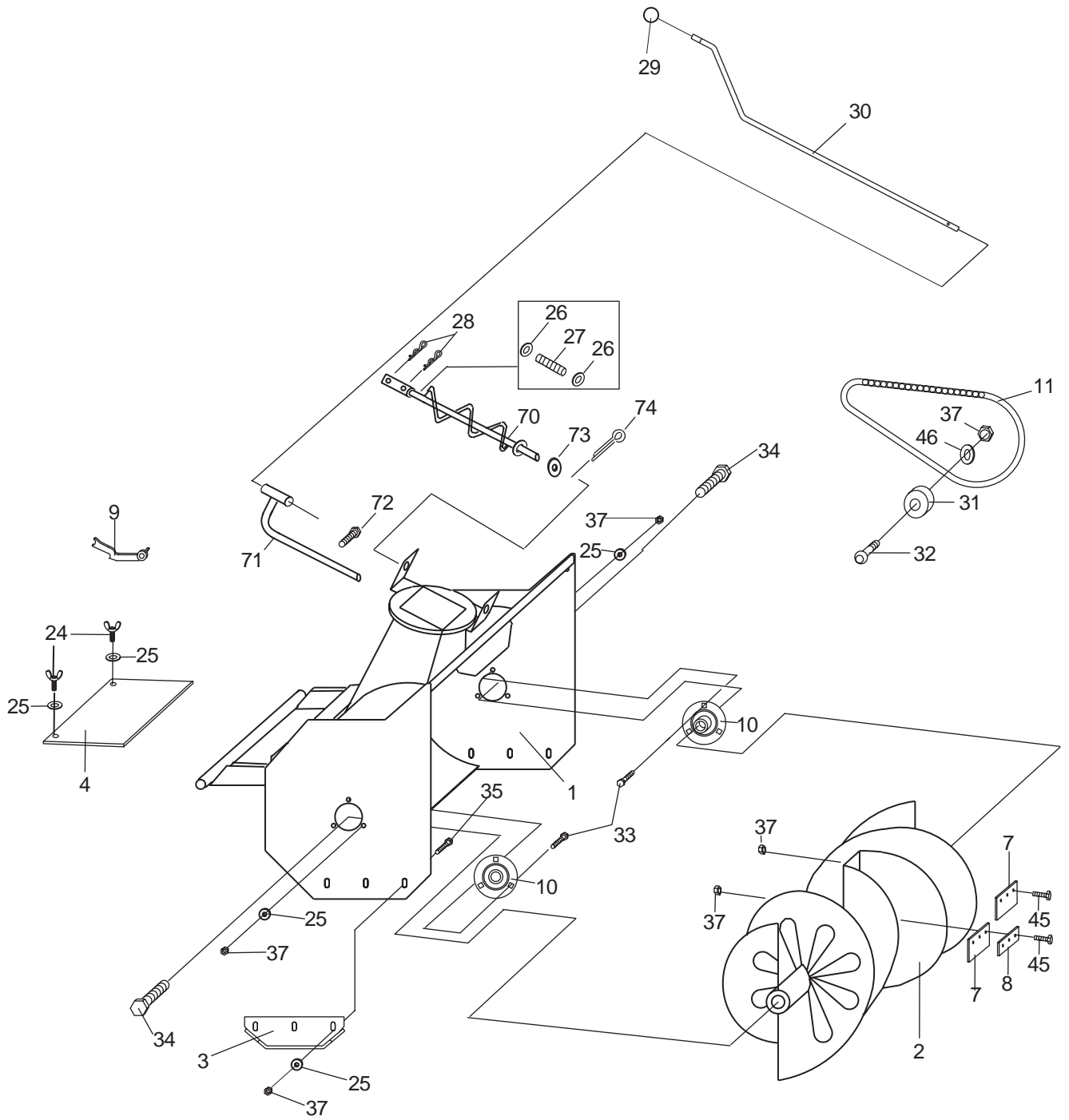
Pièces détachées

Reserve onderdelen

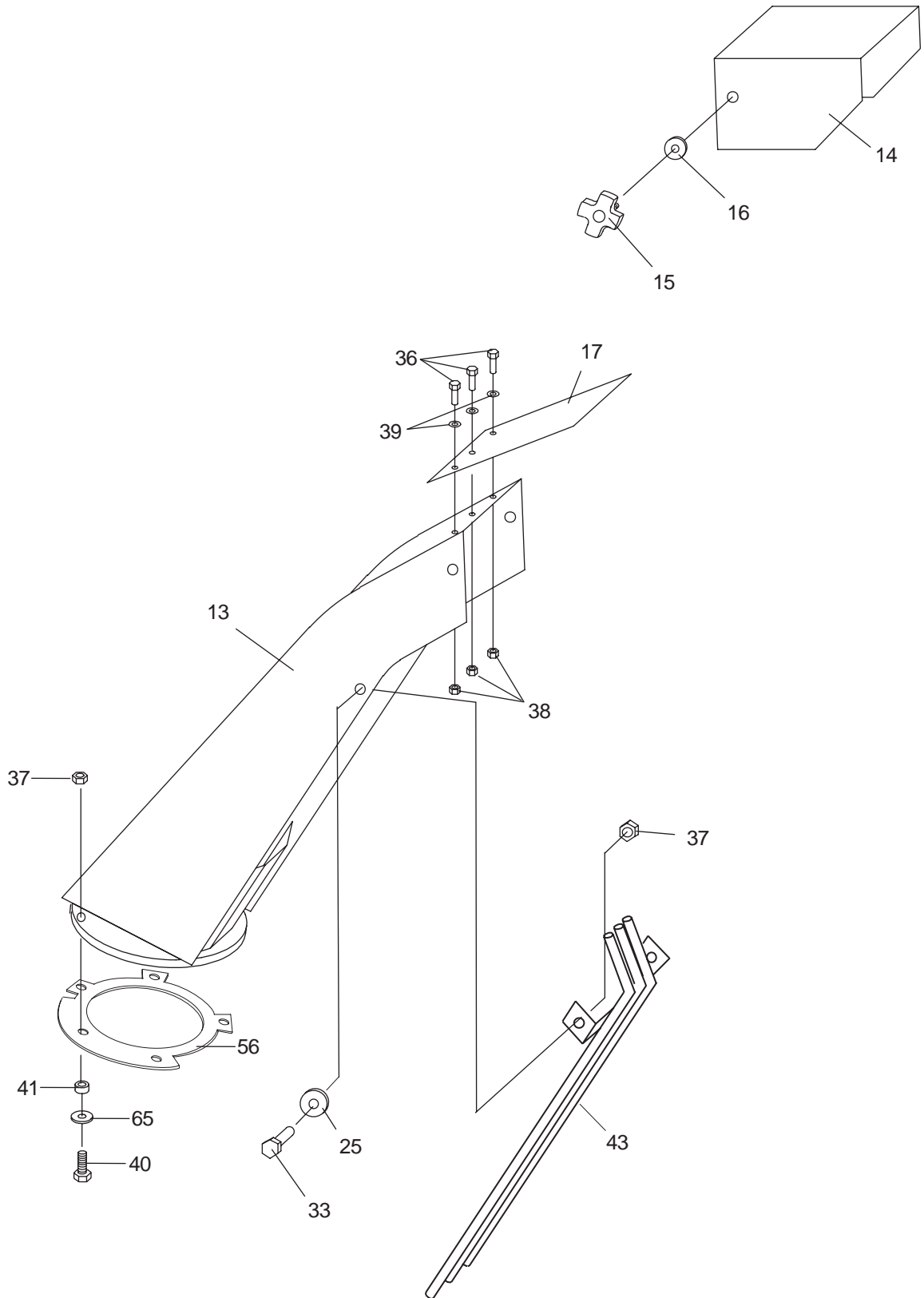
Repuestos

Reservdelar

Pos	Part number	Part name	Qty	Pos	Part number	Part name	Qty
1	535 46 66-68	Frame	1	45	535 41 50-91	Screw	6
2	535 46 66-69	Weldment, Spiral	1	46	535 41 50-92	Washer	1
3	531 00 52-53	Skid Plate	2	56	531 02 11-13	Slide Ring	1
4	535 46 66-70	Guard	1	57	535 41 50-42	Mounting plate	1
6	535 41 50-20	Guard, Drive Shaft	1	58	535 41 50-11	Washer	1
7	535 46 66-71	Protection shield	2	59	535 41 50-43	Screw	4
8	535 46 66-72	Mounting Plate	1	60	531 02 11-30	Nut, Lock	4
9	535 46 66-73	Mounting Plate	1	62	535 41 50-49	Decal, Husqvarna	2
10	531 00 52-59	Bearing	3	63	535 41 50-50	Decal, Husqvarna-H	1
11	535 41 50-21	Drive Chain	1	65	535 46 66-15	Washer	5
13	535 41 50-23	Discharge Pipe	1	66	535 46 66-25	Pulley	1
14	531 00 52-68	Chute	1	67	535 46 66-26	Washer	1
15	535 41 50-24	Adjusting knob	2	68	725 64 53-01	Screw	1
16	531 02 11-37	Washer	6	69	535 46 66-27	Key	1
17	531 00 52-69	Rubber	1	70	535 46 66-64	Screw, Side Adj.	1
18	535 41 50-25	Universal Joint	1	71	535 46 66-65	Support Pipe	1
19	535 46 66-10	Gear Box, 1:1	1	72	531 00 52-66	Screw, Lock	1
20	535 46 66-87	Drive Shaft	1	73	531 02 11-85	Washer	1
21	535 41 50-28	Key	1	74	531 02 12-42	Pin, Split	1
22	535 41 50-29	Set Screw	1				
23	531 02 11-70	Pin, Spring	1				
24	535 41 50-30	Screw, Wing	2				
25	531 02 11-84	Washer	21				
26	535 41 50-31	Washer	2				
27	535 41 50-32	Spring	1				
28	531 02 12-09	Pin, Spring	2				
29	531 00 52-64	Grip	1				
30	535 41 50-33	Control Rod	1				
31	535 41 50-34	Chain Tightener	1				
32	535 41 50-44	Screw, Lock	1				
33	531 02 11-46	Screw	12				
34	531 02 11-95	Screw, Special	2				
35	535 41 50-43	Screw, Lock	6				
36	535 41 50-36	Screw	3				
37	531 02 12-19	Nut, Lock	30				
38	531 02 11-98	Nut, Lock	3				
39	531 02 11-97	Washer	7				
40	531 02 12-59	Screw	5				
41	531 02 11-05	Collar	5				
43	531 00 52-52	Guard	1				
44	531 02 11-96	Screw	5				

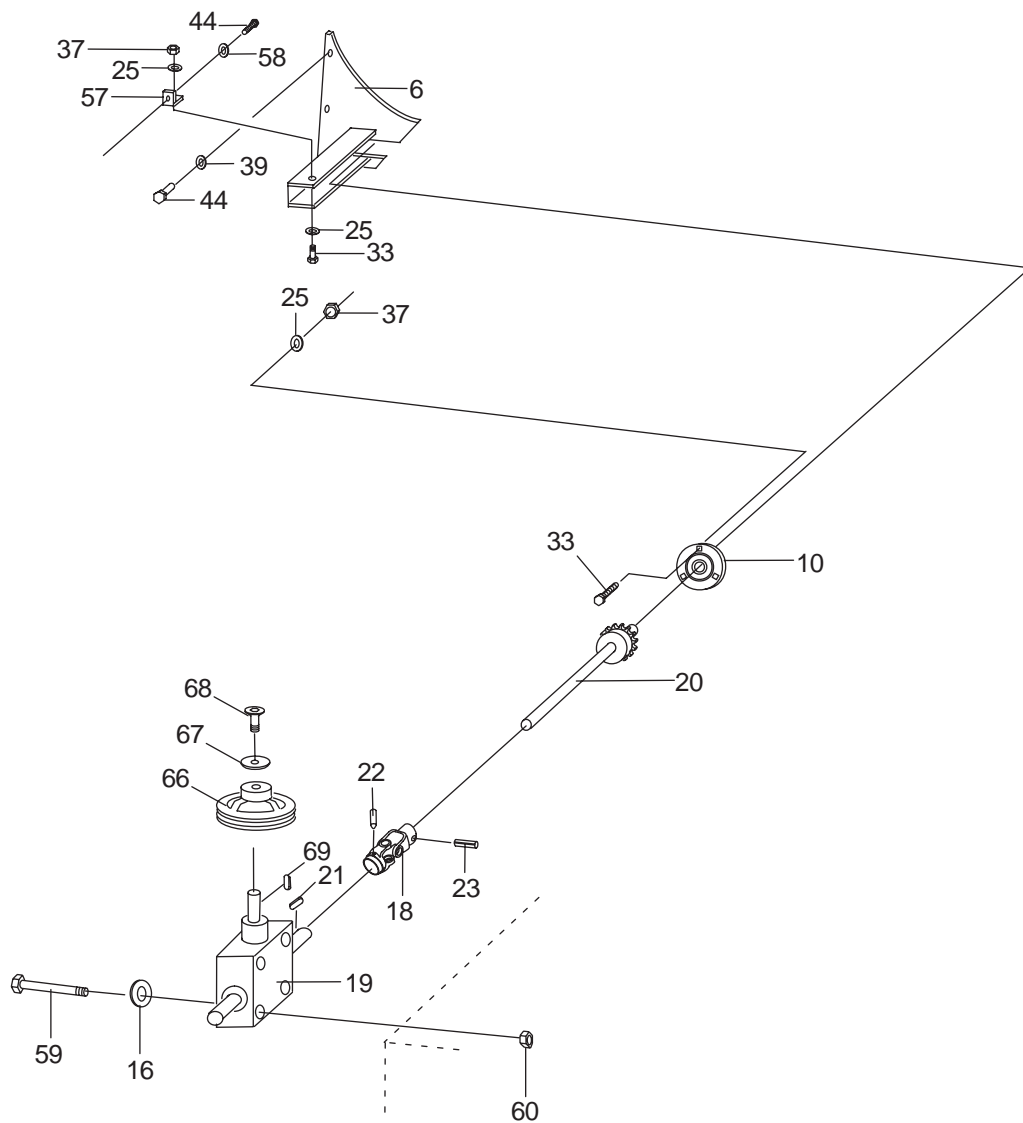


966 83 31-01
T-40214



966 83 31-01

T-40214



966 83 31-01

T-40214