

T50RS

Spare parts

Ersatzteile

Pièces détachées





Reserve onderdelen

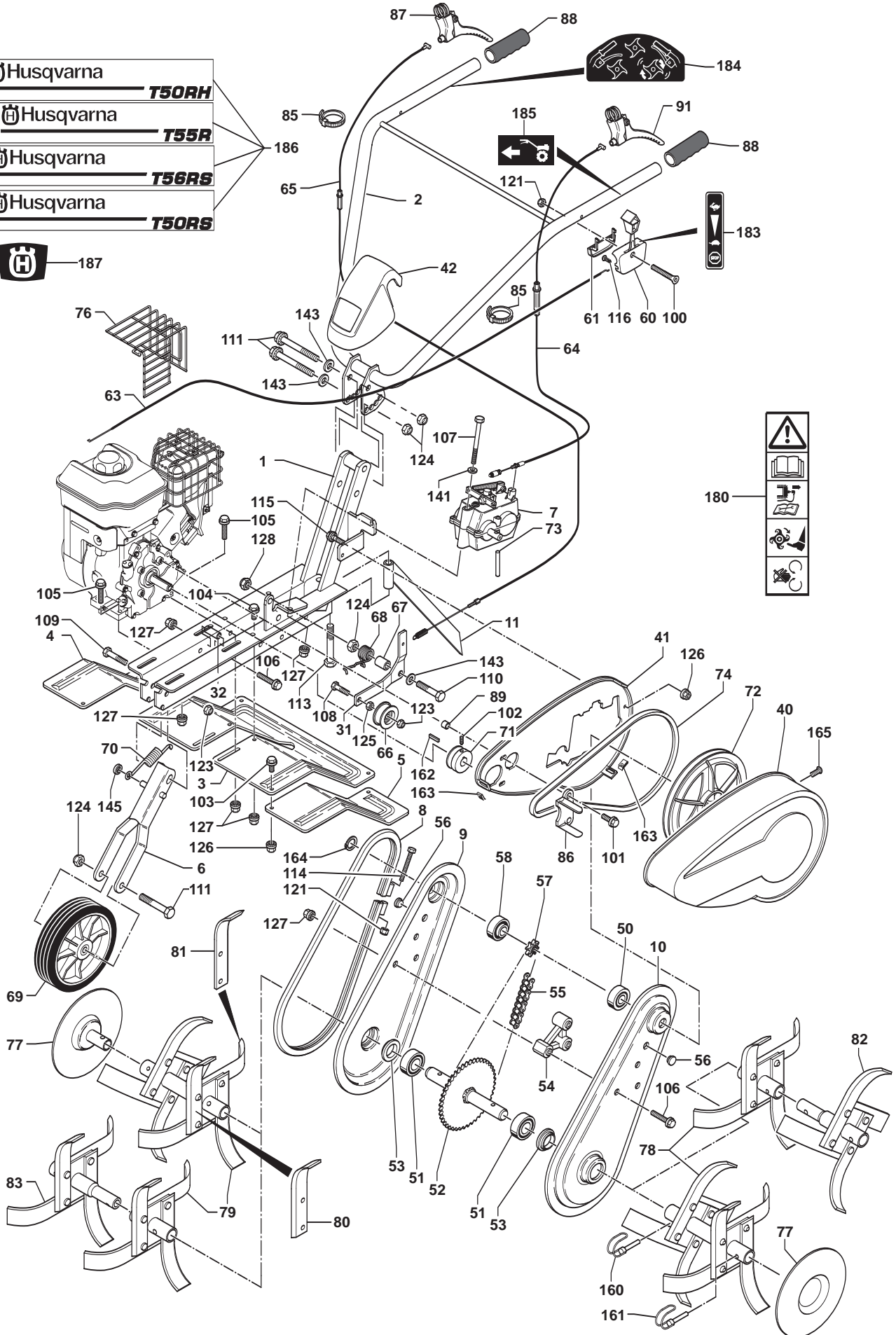
Repuestos

Reservdelar

REPAIR PARTS

TILLER - MODEL NO. T 50RH, T 55R, T56RS, T 50RS, PRODUCT NO. 501 00 45-01

-  Husqvarna **T50RH**
-  Husqvarna **T55R**
-  Husqvarna **T56RS**
-  Husqvarna **T50RS**



REPAIR PARTS

TILLER - MODEL NO. T 50RH, T 55R, T56RS, T 50RS, PRODUCT NO. 501 00 45-01

Rep N°	Réf./Ref.	Désignation	Description	Qté / Qty		
				T50RH	T55R	T56RS
	519 65 30-81	Carter complet à jonc (Orange)	Complete casing, flanged (Orange)			
1	501 00 49-01	Châssis (Gris 627)	Chassis (Grey 627)	1	1	1
2	501 00 48-01	Guidon (Gris 627)	Handlebars (Grey 627)	1	1	1
3	531 00 82-03	Tôle protection centrale (Gris 627)	Protective cover (Grey 627)			
4	531 00 82-04	Extension droite (Gris 627)	R.H.S guard extension (Grey 627)	1	1	1
5	531 00 82-05	Extension gauche (Gris 627)	L.H.S guard extension (Grey 627)	1	1	1
6	519 65 34-60	Supp. roue transport (Noir)	Front wheel bracket (Black)	1	1	1
7	519 65 30-92	Réducteur M. ar. mécanique	Reversing gearbox	1	1	1
8	519 65 30-43	Jonc (Orange)	Flange (Orange)	1	1	1
9	519 65 30-41	Joue carter eco droite	Transmission housing, RHS	1	1	1
10	519 65 30-42	Joue carter eco gauche	Transmission housing, LHS	1	1	1
11	531 00 82-06	Éperon	Key	1	1	1
31	519 65 34-07	Levier embrayage	Clutch lever	1	1	1
32	519 65 34-24	Entretoise châssis	Spacer	1	1	1
40	531 00 82-07	Capot courroie (Orange)	Belt cowl (Orange)	1	1	1
41	531 00 82-08	Cache intérieur	Inner stile belt cover	1	1	1
42	501 00 46-01	Plastic cover for handlebar	Capot guidon	1	1	1
50	519 00 26-31	Roulement	Ball-race	1	1	1
51	519 65 30-53	Roulement	Ball-race	2	2	2
52	519 65 30-07	Arbre de travail	Blade shaft	1	1	1
53	531 00 85-76	joint de carter	Joint	2	2	2
54	519 65 30-06	Entretoise plastique	Spacer	1	1	1
55	519 65 30-09	Chaîne	Chain	1	1	1
56	519 65 33-91	Bouchon	Grease cap	2	2	2
57	519 65 30-57	Pignon 8 dts	Cogwheel	1	1	1
58	531 00 85-46	Roulement épaulé	Shouldered ball-race	1	1	1
60	519 65 34-59	Manette gaz	Accelerator lever	1	1	1
61	519 64 94-71	Cache manette	Accelerator lever housing	1	1	1
63	531 00 85-79	Cable gaz (BS5,5hp)	Throttle cable (BS5,5hp)		1	
	531 00 85-80	Cable gaz (GC)	Throttle cable (GC)	1		
	531 00 94-09	Cable gaz (EX13/EX17)	Throttle cable (EX13/EX17)			1
64	501 00 53-01	Cable inversion vitesse	Reverse gear cable	1	1	1
65	501 00 51-01	Cable embrayage	Clutch cable	1	1	1
66	519 65 34-57	Galet embrayage	Runner	1	1	1
67	519 65 34-51	Entretoise levier embrayage	Spacer	1	1	1
68	519 65 30-90	Ressort embrayage	Spring	1	1	1
69	519 65 30-00	Roue avant	Front wheel	1	1	1
70	519 65 02-60	Ressort roue transport	Spring	1	1	1
71	519 65 30-68	poulie moteur	Engine pulley	1	1	1
	544 24 39-01	poulie moteur	Engine pulley	1		
72	519 65 30-60	Poulie transmission	Transmission pulley	1	1	1
73	519 65 30-67	Axe fixation poulie	Pulley shaft	1	1	1
74	519 65 30-58	Courroie	Beld		1	1
	544 24 40-01	Courroie	Beld	1		
76	531 00 85-82	Grille échappement (Robin EX13 / EX17)	Exhaust grill (Robin EX13 / EX17)			1
77	519 65 33-62	Disque	Disk	2	2	2
78	519 65 30-28	Étoile départ double 40x4 G	Twin rotating blades 40x4 L	1	1	1
	531 00 82-11	Étoile départ simple 40x4 G	Simple rotating blades 40x4 L			
79	519 65 30-29	Étoile départ double 40x4 D	Twin rotating blades 40x4 R	1	1	1
	531 00 82-13	Étoile départ simple 40x4 D	Simple rotating blades 40x4 R			
80	519 65 34-47	Couteau gauche	Blade, LH			
81	519 65 34-48	Couteau droit	Blade, RH			
82	531 00 82-14	Étoile addit. dém. gauche	Additional blade assembly, LH			
83	531 00 82-15	Étoile addit. dém. droite	Additional blade assembly, RH			
85	519 65 32-32	Collier	Collar	2	2	2
86	531 00 85-77	Guide courroie	Drive-belt		1	1
	544 24 31-01	Guide courroie	Drive-belt	1		
87	501 00 50-01	Levier	Lever	1	1	1
88	519 00 01-13	Poignée PVC	Grip	2	2	2
89	531 00 82-16	Entretoise cache intérieur	Spacer	2	2	2
91	501 00 52-01	Reverse gear lever	Levier LAB C20	1	1	1
100	519 65 34-61	Vis TF Hc M6x45 Z	Screw TF Hc M6x45 Z			
101	519 65 34-12	Vis 5/16 TH24 UNF lg 25 emb. crantée	Screw 5/16 TH24 UNF lg 25, notched shoulder			
102	519 65 30-20	Vis St Hc M8x16 N	Screw St Hc M8x16 N			
103	519 65 34-35	Vis H M6x16 Z embase crantée	Screw H M6x16 Z, notched shoulder			
104	531 00 82-02	Vis H M8x16 Z embase crantée	Screw H M8x16 Z, notched shoulder			
105	519 65 34-13	Vis H M8x40 Z embase crantée	Screw H M8x40 Z, notched shoulder			
106	519 65 34-63	Vis H M8x50 Z embase crantée	Screw H M8x50 Z, notched shoulder			
107	519 65 30-45	Vis H M8x110 Z	Screw H M8x110 Z			
108	519 65 34-55	Vis H M10x35 Z	Screw H M10x35 Z			
109	519 65 30-46	Vis H M10x55 Z	Screw H M10x55 Z			
110	519 65 34-54	Vis H M12x60 Z	Screw H M12x60 Z			
111	519 65 31-31	Vis H M12x80 Z	Screw H M12x80 Z			

REPAIR PARTS

TILLER - MODEL NO. T 50RH, T 55R, T56RS, T 50RS, PRODUCT NO. 501 00 45-01

Rep N°	Réf./Ref.	Désignation	Description	Qté / Qty		
				T50RH	T55R	T56RS
113	531 00 82-20	Vis H M14x90 Z	Screw H M14x90 Z			
114	519 65 30-10	Vis CHc M6x50	Screw CHc M6x50			
115	531 00 82-53	Vis H M6x20 Z embase crantée	Screw H M6x20 Z, notched shoulder			
116	531 00 94-12	Vis	Screw			
121	732 26 16-01	Écrou frein M6 Z	Blocking nut M6 Z			
122	519 00 62-00	Écrou frein M8 Z	Blocking nut M8 Z			
123	519 65 34-58	Écrou frein M10 Z	Blocking nut M10 Z			
124	725 25 50-51	Écrou frein M12 Z	Blocking nut M12 Z			
125	519 65 34-56	Écrou H M10 Z	Nut H M10 Z			
126	519 65 34-32	Écrou H M6 Z embase crantée	Nut H M6 Z, notched shoulder			
127	519 65 34-30	Écrou H M8 Z embase crantée	Nut H M8 Z, notched shoulder			
128	531 00 82-21	Écrou H M12 Z embase crantée	Nut H M12 Z, notched shoulder			
141	519 65 34-50	Rondelle 8 Z	Washer 8 Z			
143	519 65 34-53	Rondelle 12x27x2,5	Washer 12x27x2,5 Z			
145	519 65 34-62	Rondelle starlock 10	Starlock washer 10			
160	531 00 94-10	Goupille clips Ø10	Clip pin, 10mm diameter			
161	531 00 94-11	Goupille clips Ø8	Clip pin, 8mm diameter			
162	519 65 30-21	Clavette	Key			
163	519 65 34-25	Clips 4,2	Spire nuts 4,2			
164	519 65 34-66	Circlips	Circlips			
165	519 65 34-26	Vis Tôle 4,2	Cover bolt 4,2			
180	531 00 85-40	Étiq. "sécurité"	Safety label			
183	519 64 66-80	Étiquette de gaz	Label: Accelerator lever			
184	519 65 30-85	Étiquette embrayage mécanique	Label: Clutch lever			
185	519 65 30-84	Étiq. "inversion de vitesse "	Label: Forward and reverse gears	1		
186	531 00 82-54	Étiq.: husqvarna T50RH	Label: husqvarna T50RH		1	
	531 00 82-65	Étiq.: husqvarna T55R	Label: husqvarna T55R			1
	531 00 94-13	Étiq.: husqvarna T56RS	Label: husqvarna T56RS	1	1	1
187	501 00 47-01	Sticker H for cover	Etiqu H			