



## KV960

Reservdelar

Spare parts

Ersatzteile

Pieces de rechange

Piezas de repuesto

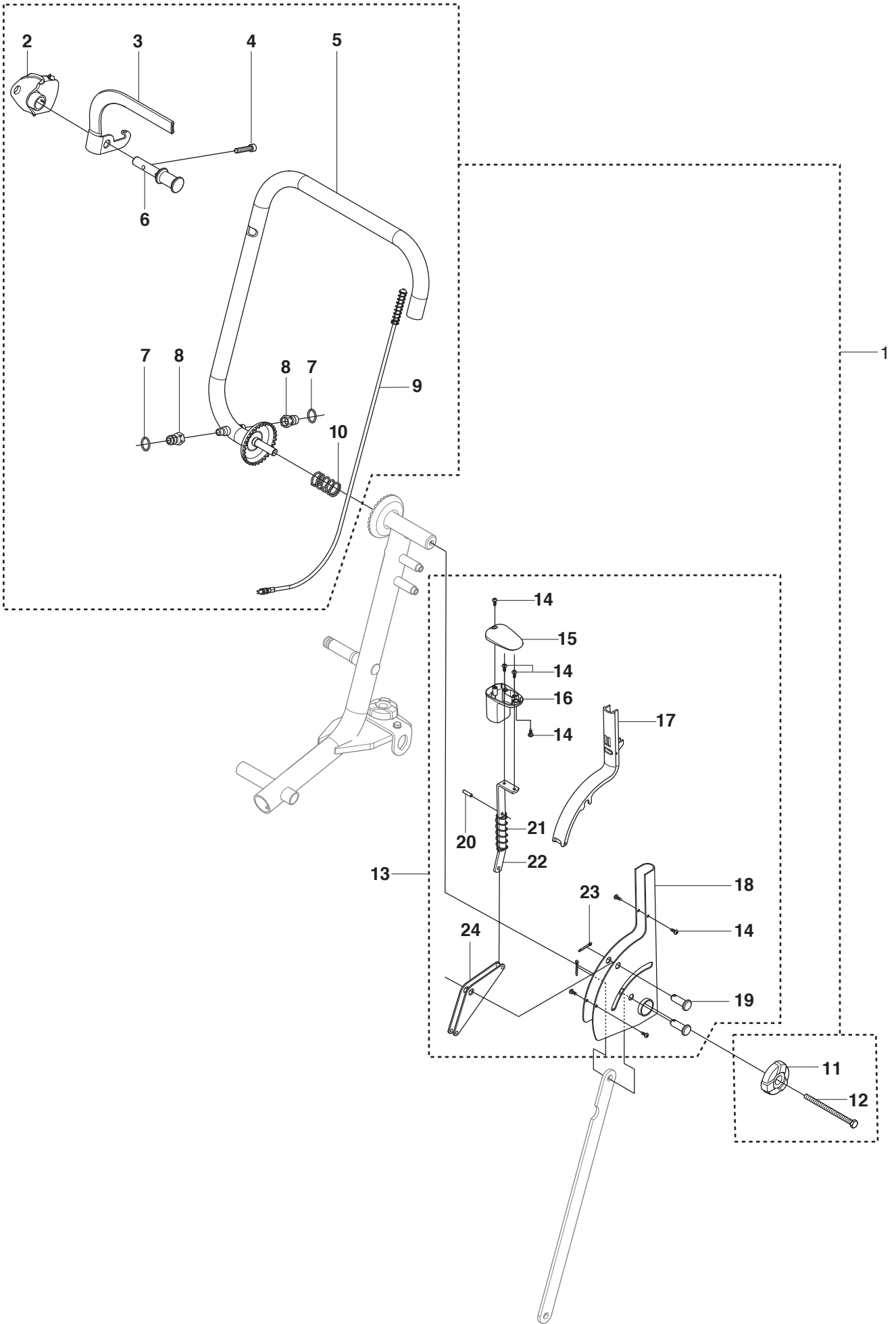
Ricambi

Peças sobresselente



No.	Pos.	Description	No.	Pos.	Description
501 01 96-01	B	O-RING	725 23 25-71	C	SCREW
501 01 98-01	B	SPRING PIN	725 23 76-71	C	SCREW
501 02 02-01	C	SHAFT	725 24 49-71	B	SCREW
501 32 12-01	B	WASHER	725 24 51-71	BC	SCREW
501 32 13-01	B	BRACKET	725 24 75-51	A	SCREW
502 30 42-01	A	PLATE	725 53 68-01	B	SCREW
502 46 51-01	AB	O-RING	725 53 70-01	B	SCREW
502 62 16-02	C	WATER TANK ASSY	725 54 59-01	A	SCREW
504 12 50-17	C	ANTIVIBRATION ELEMENT	729 53 42-01	A	SCREW
504 18 55-01	B	WHEEL	731 23 18-01	C	NUT
504 54 58-01	C	STICKER	732 25 14-01	C	LOCK NUT
504 56 93-01	ABC	KNOB	732 25 16-01	C	NUT
504 58 10-01	B	CUP SPRING	734 11 52-01	C	WASHER
504 58 11-01	B	WASHER	734 11 65-41	B	WASHER
504 59 57-01	B	WASHER	737 38 14-01	C	CUP SPRING
504 72 68-01	C	HOLDER	740 48 12-04	C	O-RING
504 72 75-01	C	LOCKING LEVER			
504 72 76-01	C	LOCKING PLATE			
504 72 83-01	C	LEVER			
504 72 85-01	C	SHAFT			
504 72 87-01	C	SHAFT			
504 72 89-01	C	POINTER			
504 72 91-01	C	HOLDER			
504 72 92-01	C	SHEET			
504 72 94-01	C	FENDER			
504 73 53-02	B	FRAME			
504 73 54-02	C	HOLDER ASSY			
504 73 57-01	C	SPRING			
505 17 49-01	C	WATER TANK			
505 45 09-01	C	HOLDER			
505 45 14-01	C	SCREW			
505 45 60-01	C	SPRING			
505 45 61-01	B	SCREW			
505 45 73-01	A	WIRE ASSY			
505 52 95-01	A	SHAFT			
506 30 87-01	A	COUPLER			
506 30 92-01	C	NUT			
506 30 94-01	C	KNOB			
506 31 41-01	C	VALVE			
506 31 42-02	C	HOSE			
506 49 70-02	B	FRAME TUBE			
506 49 73-01	B	PLATE			
506 49 75-01	B	FRAME TUBE			
541 20 82-84	C	CAP			
542 13 97-69	B	STOP SCREW			
543 04 59-54	B	WHEEL			
544 91 53-01	A	KNOB			
544 91 54-01	A	KNOB			
544 91 55-01	A	COVER			
544 91 94-01	B	SHAFT			
544 91 97-01	A	COVER			
544 91 99-01	B	SHEET			
544 92 27-01	B	COVER LID			
544 92 39-02	B	ROD			
544 92 55-01	C	SPACING SLEEVE			
544 95 35-04	A	HANDLEBAR ASSY			
544 95 36-01	A	HANDLE			
544 95 37-01	A	THROTTLE HANDLE ASSY			
544 95 69-01	A	LEVER			
544 95 70-01	A	LEVER			
544 95 71-01	A	ROD			
544 96 26-01	B	SPACING SLEEVE			
544 96 29-01	C	SHACKLE			
544 98 16-01	A	SPRING THROTTLE CONTR.			
544 98 25-01	A	SPRING			
544 98 27-01	C	NUT			
721 42 56-26	C	SPRING PIN			
721 43 08-01	A	PIN			
721 61 82-01	A	LOCKING PIN			
721 85 14-01	A	CLEVIS PIN			

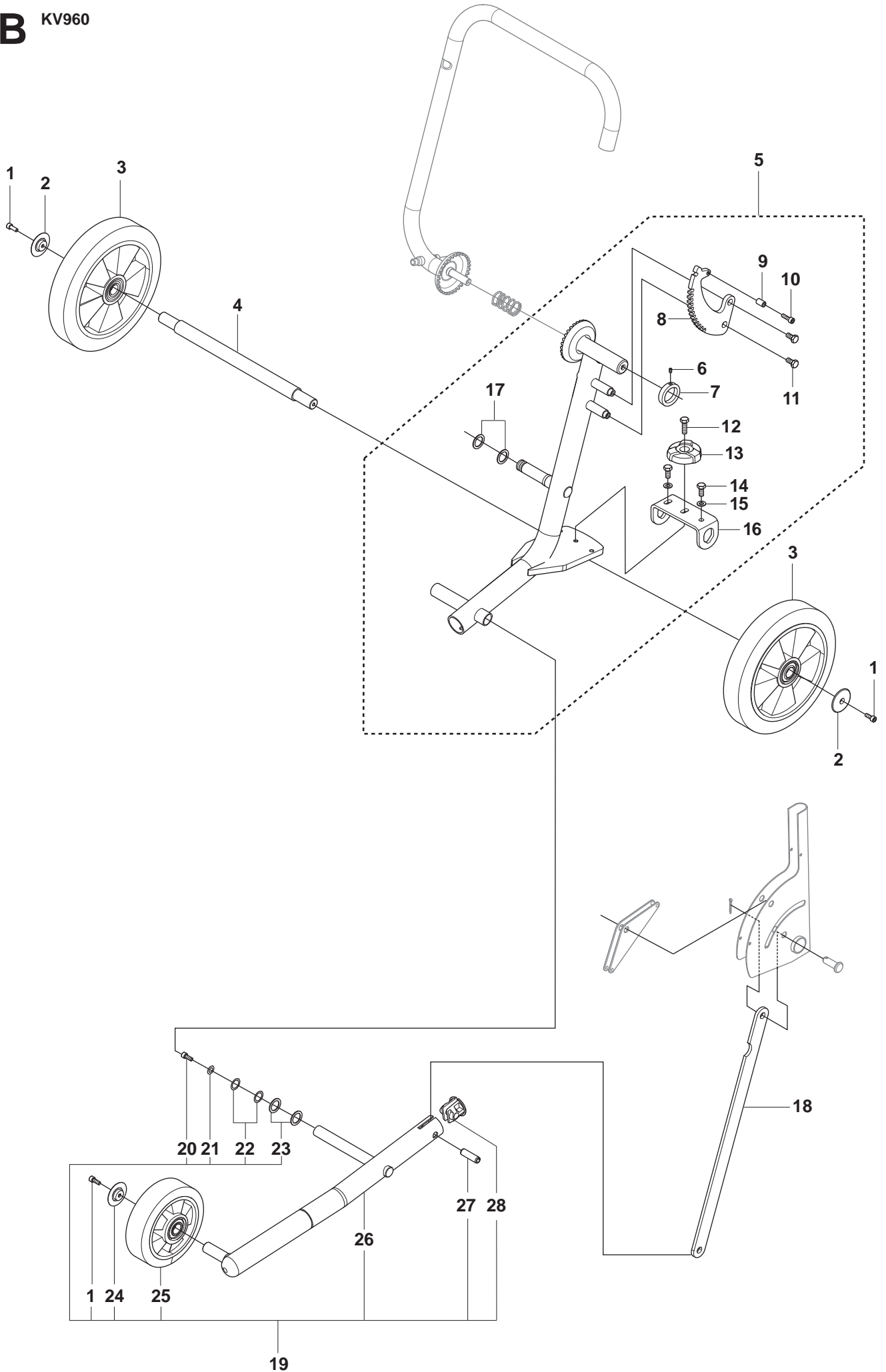
**A** KV960



**Page A**  
**KV960**

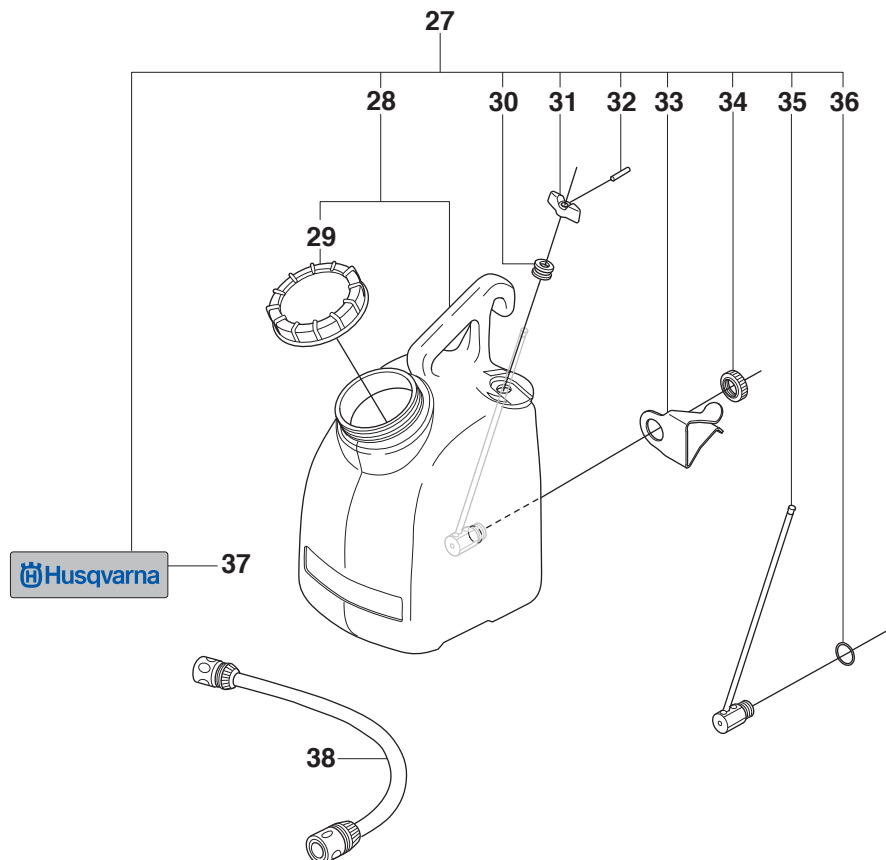
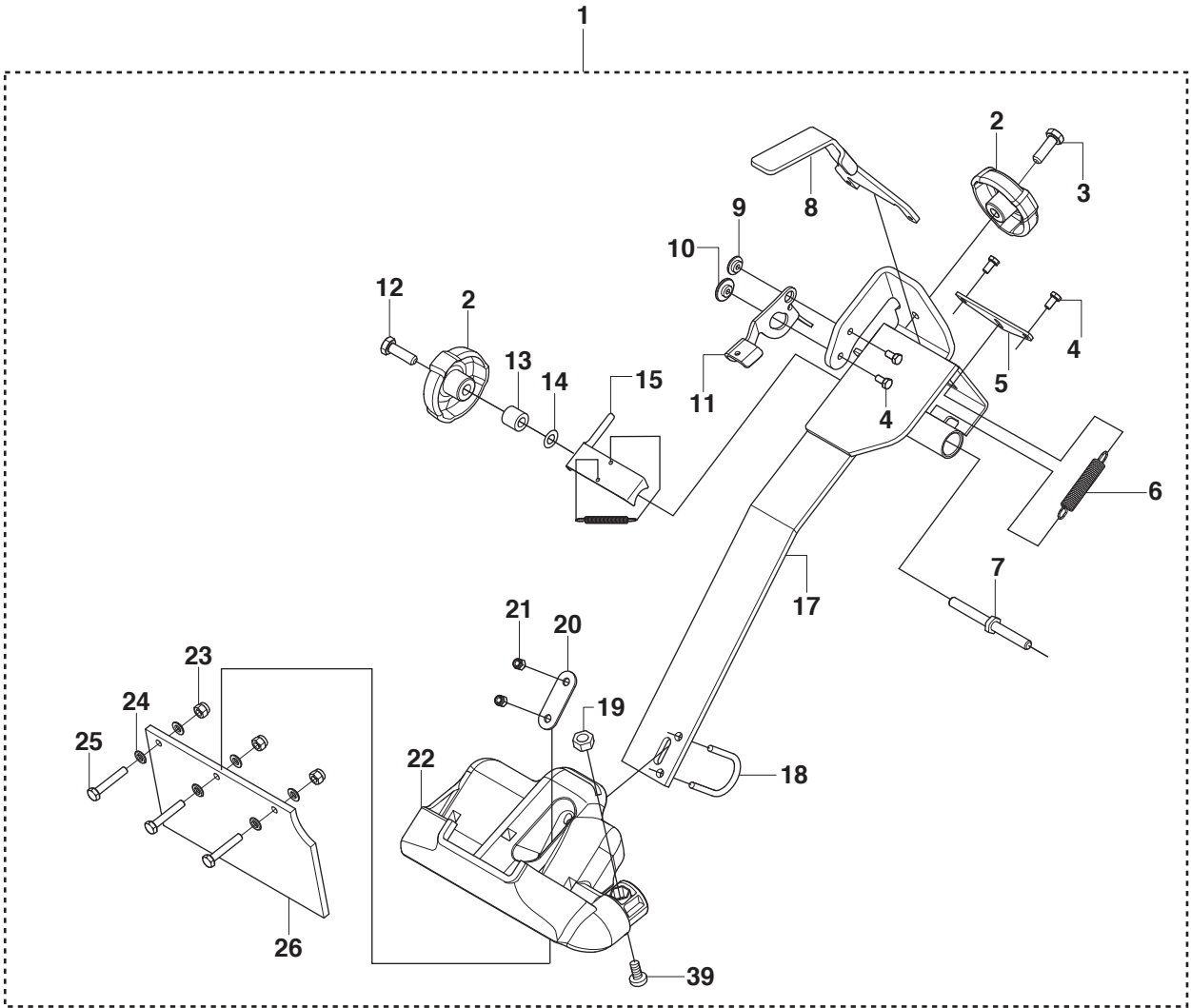
<b>Pos.</b>	<b>Part No.</b>	<b>Description</b>	<b>Quantity</b>	<b>Notes</b>
1	544 95 35-04	HANDLEBAR ASSY	1	Incl. 2 - 14
2	544 91 97-01	COVER	1	
3	544 95 37-01	THROTTLE HANDLE ASSY	1	
4	725 54 59-01	SCREW	1	
5	544 95 36-01	HANDLE	1	
6	505 52 95-01	SHAFT	1	
7	502 46 51-01	O-RING	2	
8	506 30 87-01	COUPLER	2	
9	544 98 16-01	SPRING THROTTLE CONTR.	1	
10	505 45 73-01	WIRE ASSY	1	
11	504 56 93-01	KNOB	1	
12	725 24 75-51	SCREW	1	
13	544 95 69-01	LEVER	1	Incl. 16 - 26
14	729 53 42-01	SCREW	8	
15	544 91 53-01	KNOB	1	
16	544 91 54-01	KNOB	1	
17	544 91 55-01	COVER	1	
18	544 95 70-01	LEVER	1	
19	721 85 14-01	CLEVIS PIN	2	
20	721 43 08-01	PIN	1	
21	544 98 25-01	SPRING	1	
22	544 95 71-01	ROD	1	
23	721 61 82-01	LOCKING PIN	2	
24	502 30 42-01	PLATE	1	

**B** KV960



**Page B**  
**KV960**

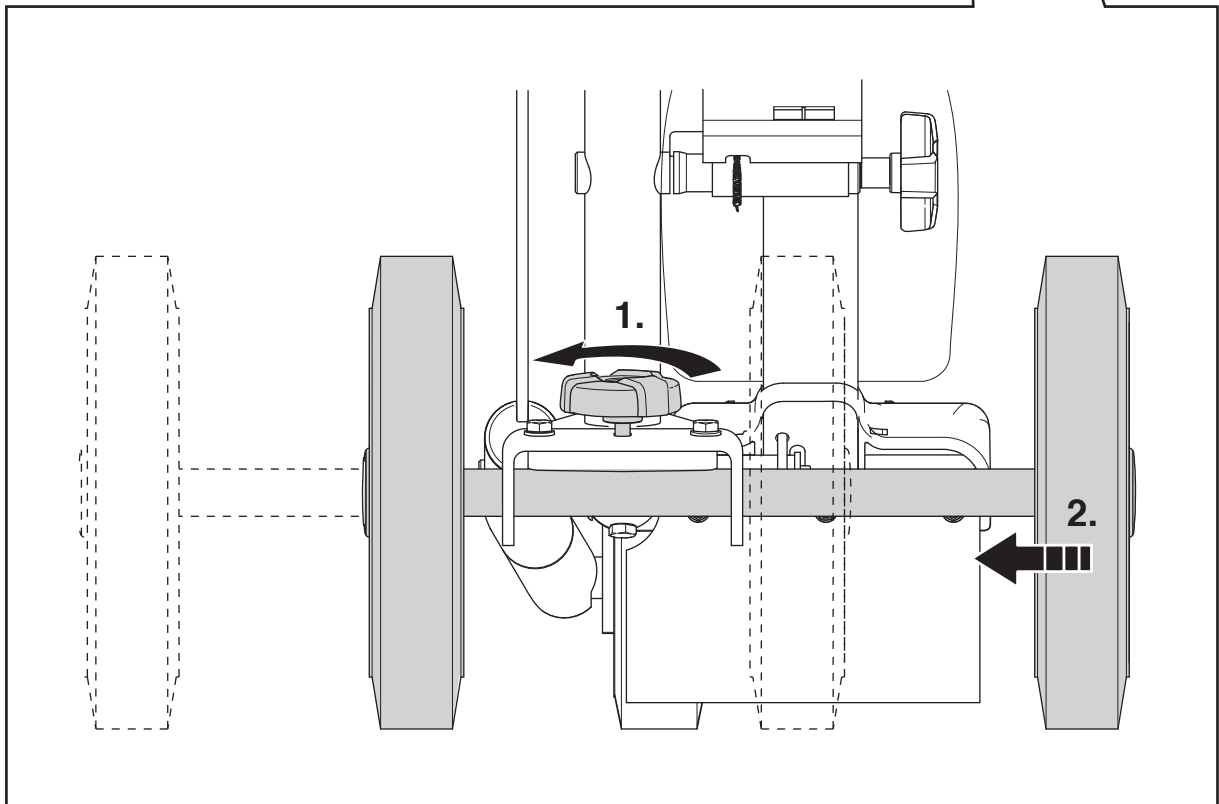
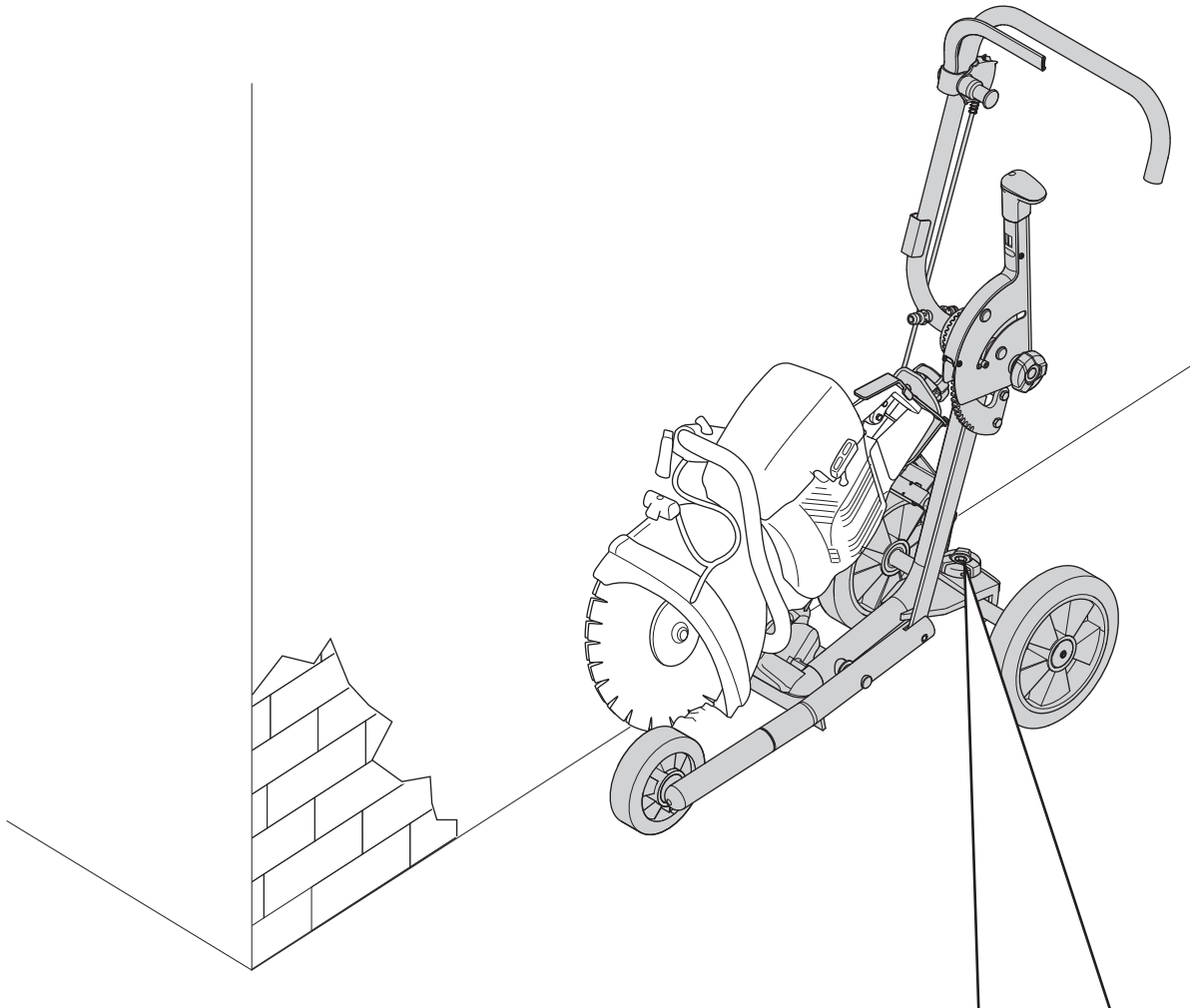
Pos.	Part No.	Description	Quantity	Notes
1	725 53 68-01	SCREW	3	
2	501 32 12-01	WASHER	2	
3	504 18 55-01	WHEEL	2	
4	544 91 94-01	SHAFT	1	
5	504 73 53-02	FRAME	1	Incl. 6 - 15
6	542 13 97-69	STOP SCREW	1	
7	504 59 57-01	WASHER		
8	544 91 99-01	SHEET	1	
9	544 96 26-01	SPACING SLEEVE	1	
10	725 53 70-01	SCREW	2	
11	725 24 49-71	SCREW	2	
12	505 45 61-01	SCREW	1	
13	504 56 93-01	KNOB	1	
14	725 24 51-71	SCREW	2	
15	734 11 65-41	WASHER	2	
16	501 32 13-01	BRACKET	1	
17	502 46 51-01	O-RING	2	
18	544 92 39-02	ROD	1	
19	506 49 70-02	FRAME TUBE	1	Incl. 1, 18 - 26
20	725 24 49-71	SCREW	1	
21	504 58 11-01	WASHER	1	
22	501 01 96-01	O-RING	2	
23	504 58 10-01	CUP SPRING	2	
24	506 49 73-01	PLATE	1	
25	543 04 59-54	WHEEL	1	
26	506 49 75-01	FRAME TUBE	1	
27	501 01 98-01	SPRING PIN	1	
28	544 92 27-01	COVER LID	1	



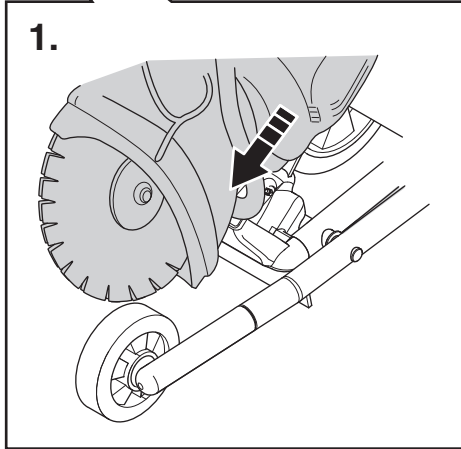
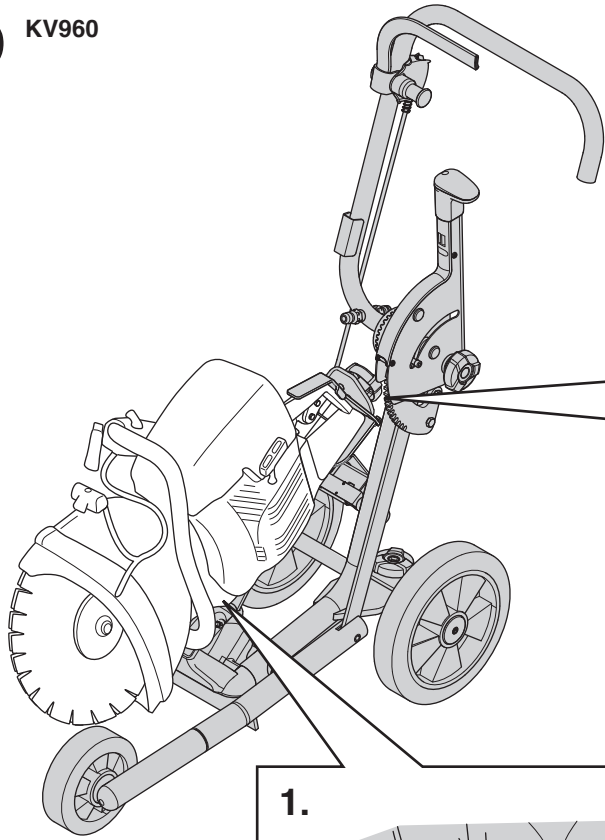


**Page C**  
**KV960**

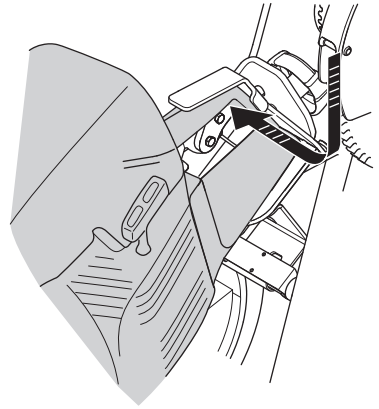
Pos.	Part No.	Description	Quantity	Notes
1	504 73 54-02	HOLDER ASSY	1	Incl. 2 - 26
2	504 56 93-01	TURNING KNOB	2	
3	505 45 14-01	SCREW	1	
4	725 23 25-71	SCREW	4	
5	504 72 76-01	LOCKING PLATE	1	
6	504 73 57-01	SPRING	1	
7	501 02 02-01	SHAFT	1	
8	504 72 75-01	LOCKING LEVER	1	
9	504 72 87-01	SHAFT	1	
10	504 72 85-01	SHAFT	1	
11	504 72 83-01	LEVER	1	
12	544 98 27-01	NUT	1	
13	544 92 55-01	SPACING SLEEVE	1	
14	737 38 14-01	CUP SPRING	2	
15	504 72 89-01	POINTER	1	
16	505 45 60-01	SPRING	1	
17	504 72 68-01	HOLDER	1	
18	544 96 29-01	SHACKLE	1	
19	731 23 18-01	NUT	2	
20	504 72 92-01	SHEET	1	
21	732 25 14-01	LOCK NUT	2	
22	504 72 91-01	HOLDER	1	
23	732 25 16-01	NUT	3	
24	734 11 52-01	WASHER	6	
25	725 23 76-71	SCREW	3	
26	504 72 94-01	FENDER	1	
27	502 62 16-02	WATER TANK ASSY	1	Incl. 28, 30 - 37
28	505 17 49-01	WATER TANK	1	Incl. 29
29	541 20 82-84	CAP	1	
30	504 12 50-17	ANTIVIBRATION ELEMENT	1	
31	506 30 94-01	KNOB	1	
32	721 42 56-26	SPRING PIN	1	
33	505 45 09-01	HOLDER	1	
34	506 30 92-01	NUT	1	
35	506 31 41-01	VALVE	1	
36	740 48 12-04	O-RING	1	
37	504 54 58-01	STICKER	1	
38	506 31 42-02	HOSE	1	
39	725 24 57-71	SCREW	1	



**D** KV960



**2.**



**3.**

