

Rider 11 R

Spare parts

Ersatzteile

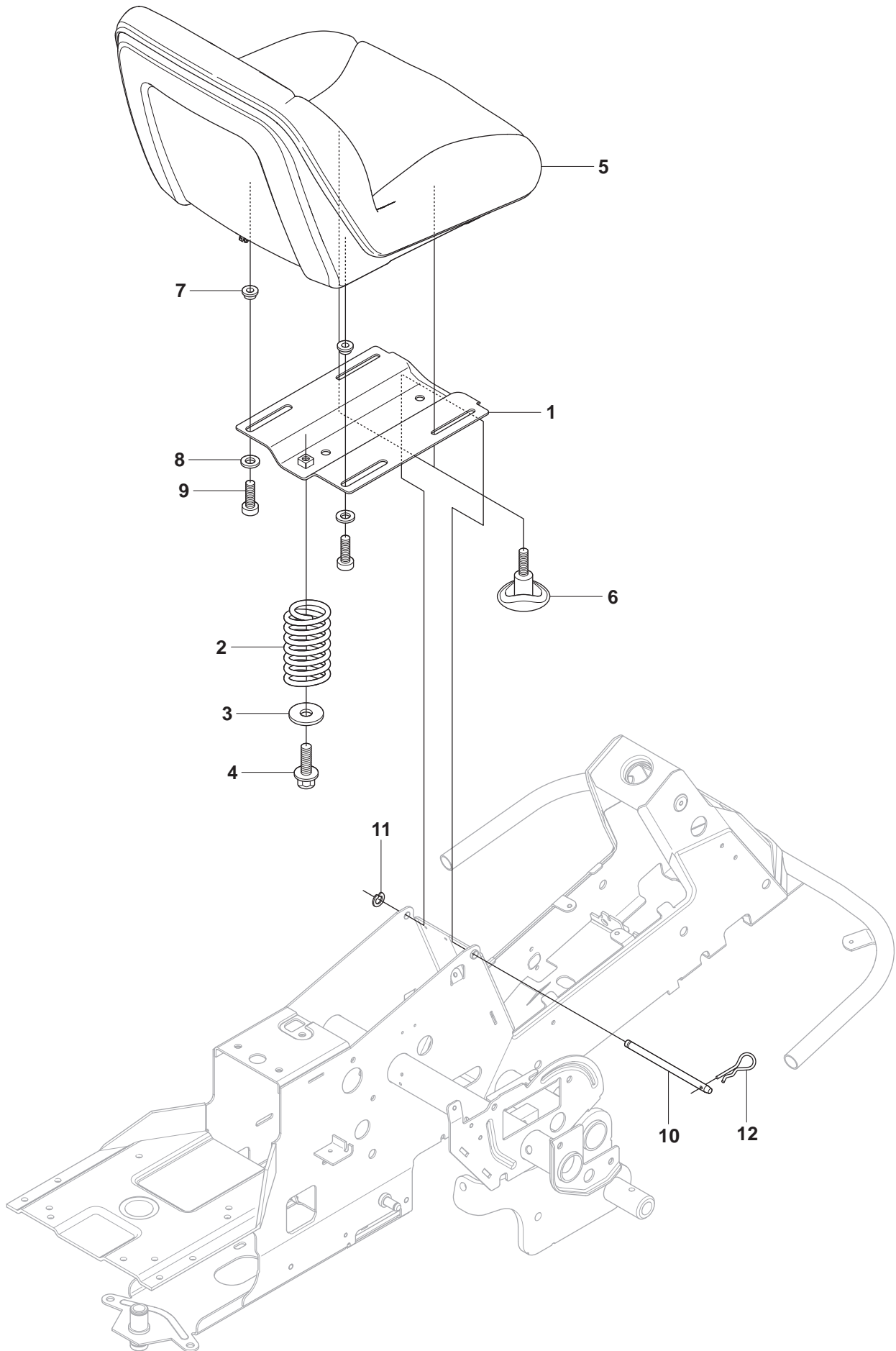
Pièces détachées

Reserve onderdelen

Repuestos

Reservdelar

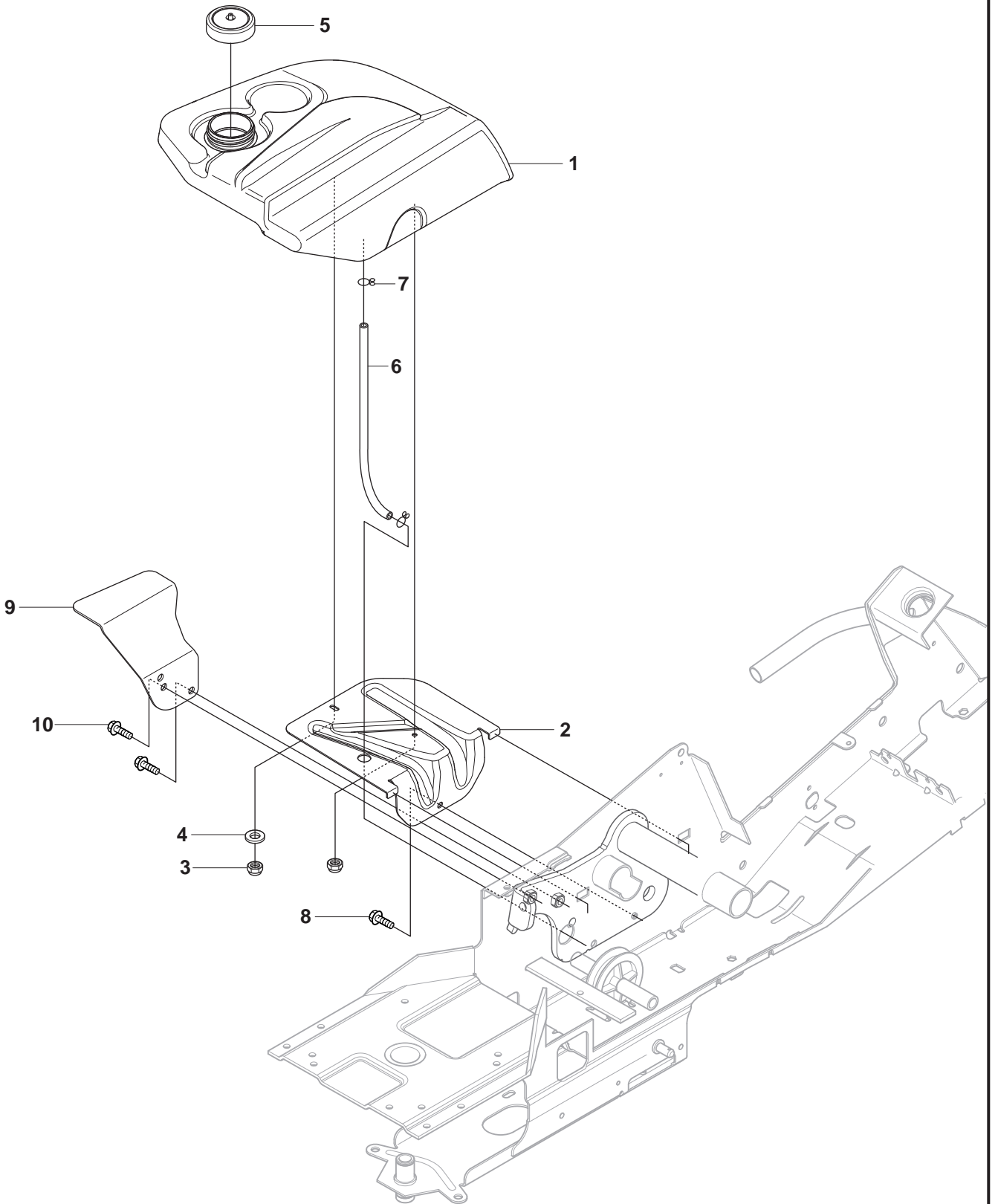
A 966 83 04-01 RIDER R11R
SEAT, TS2500



A**966 83 04-01 RIDER R11R
SEAT, TS2500**

Pos.	Compl No.	Part No.	Description	Qty.	Notes
1		544 32 85-03		1	
2		506 91 53-01		1	
3		734 11 74-41		1	
4		725 24 93-71		1	
5		544 43 33-01		1	
6		506 56 55-01		2	
7		506 56 53-01		2	
8		734 11 64-41		2	
9		506 55 63-01		2	
10		506 50 99-01		1	
11		735 31 12-00		1	
12		506 66 88-01		1	

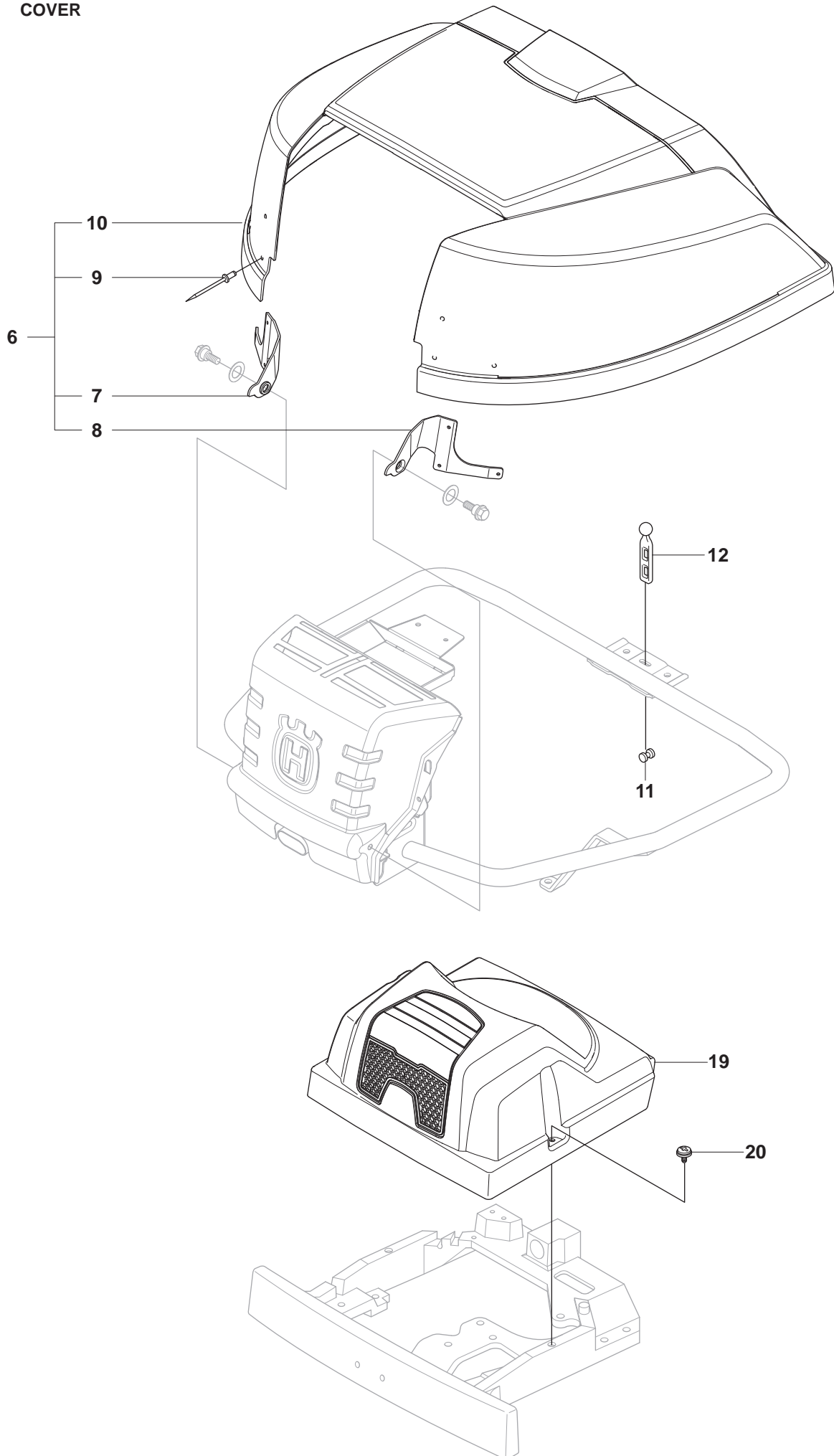
B 966 83 04-01 RIDER R11R
FUEL SYSTEM



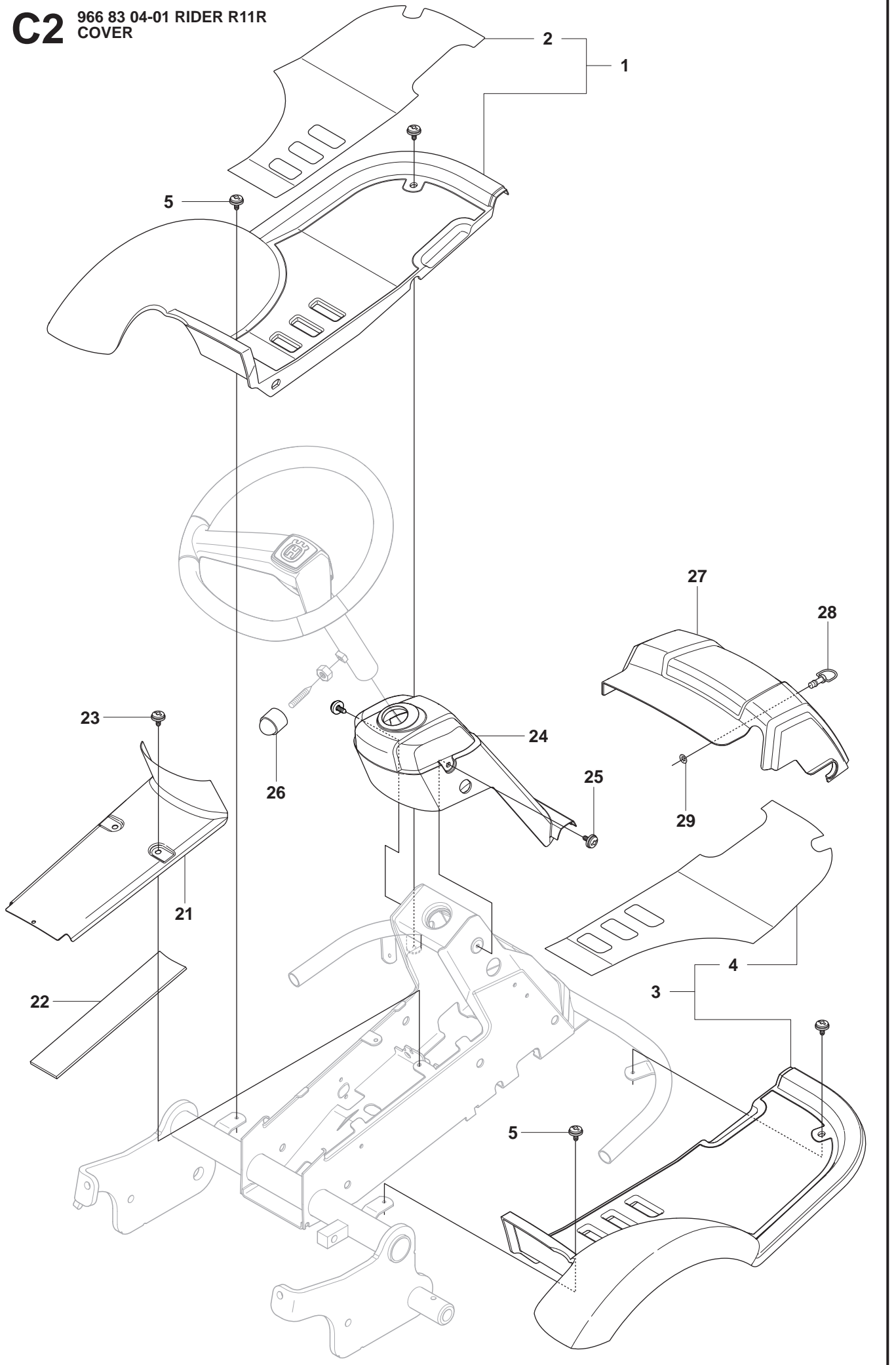
B**966 83 04-01 RIDER R11R
FUEL SYSTEM**

Pos.	Compl No.	Part No.	Description	Qty.	Notes
1		535 50 13-01		1	
2		544 32 93-01		1	
3		732 21 16-01		2	
4		734 11 56-01		1	
5		506 67 33-01		1	
6		506 94 67-07		1	
7		535 46 97-01		2	
8		725 23 64-61		1	
9		501 02 03-01		1	
10		725 24 93-71		2	

C1 966 83 04-01 RIDER R11R
COVER

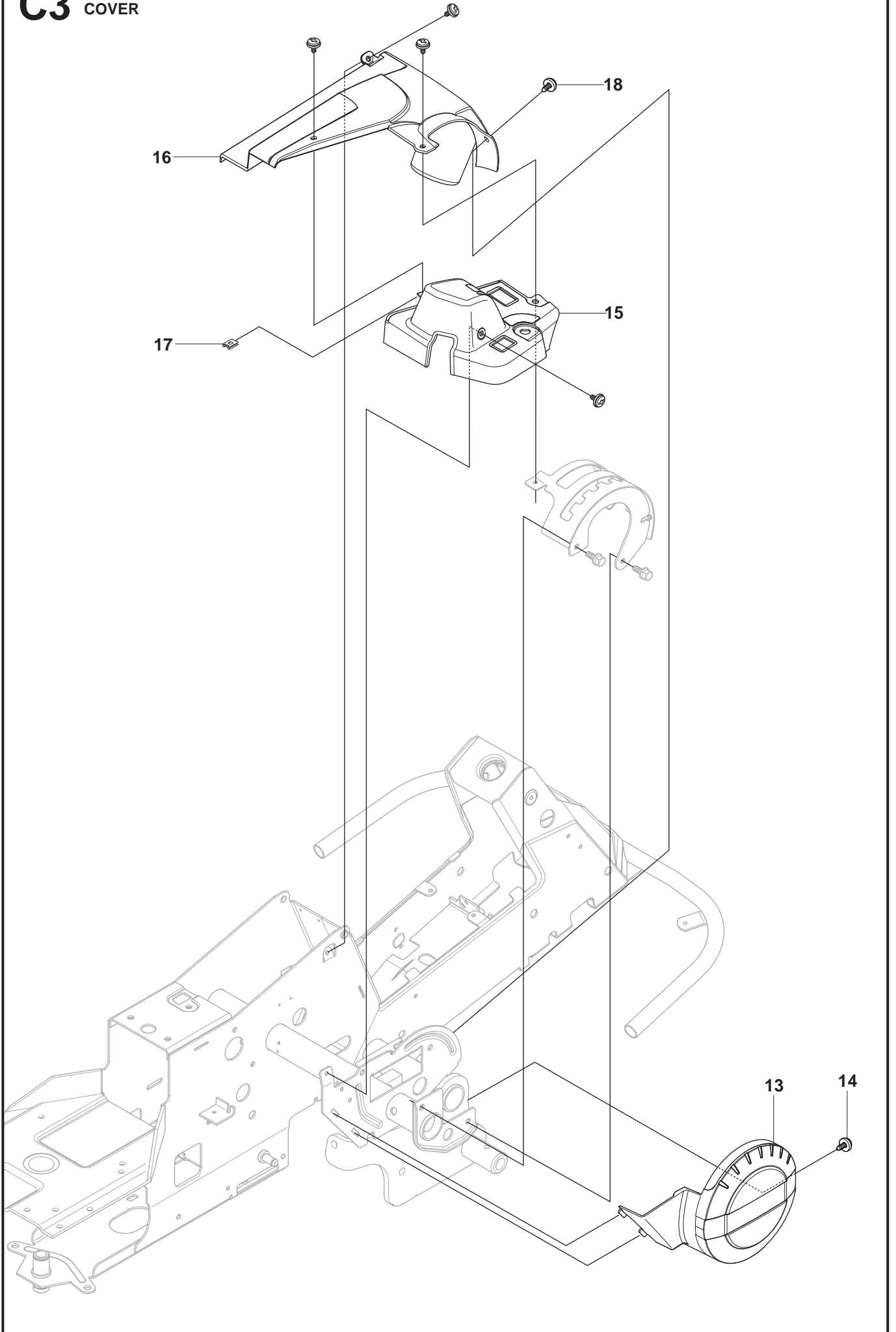


C2 966 83 04-01 RIDER R11R
COVER



C3

966 83 04-01 RIDER R11R
COVER

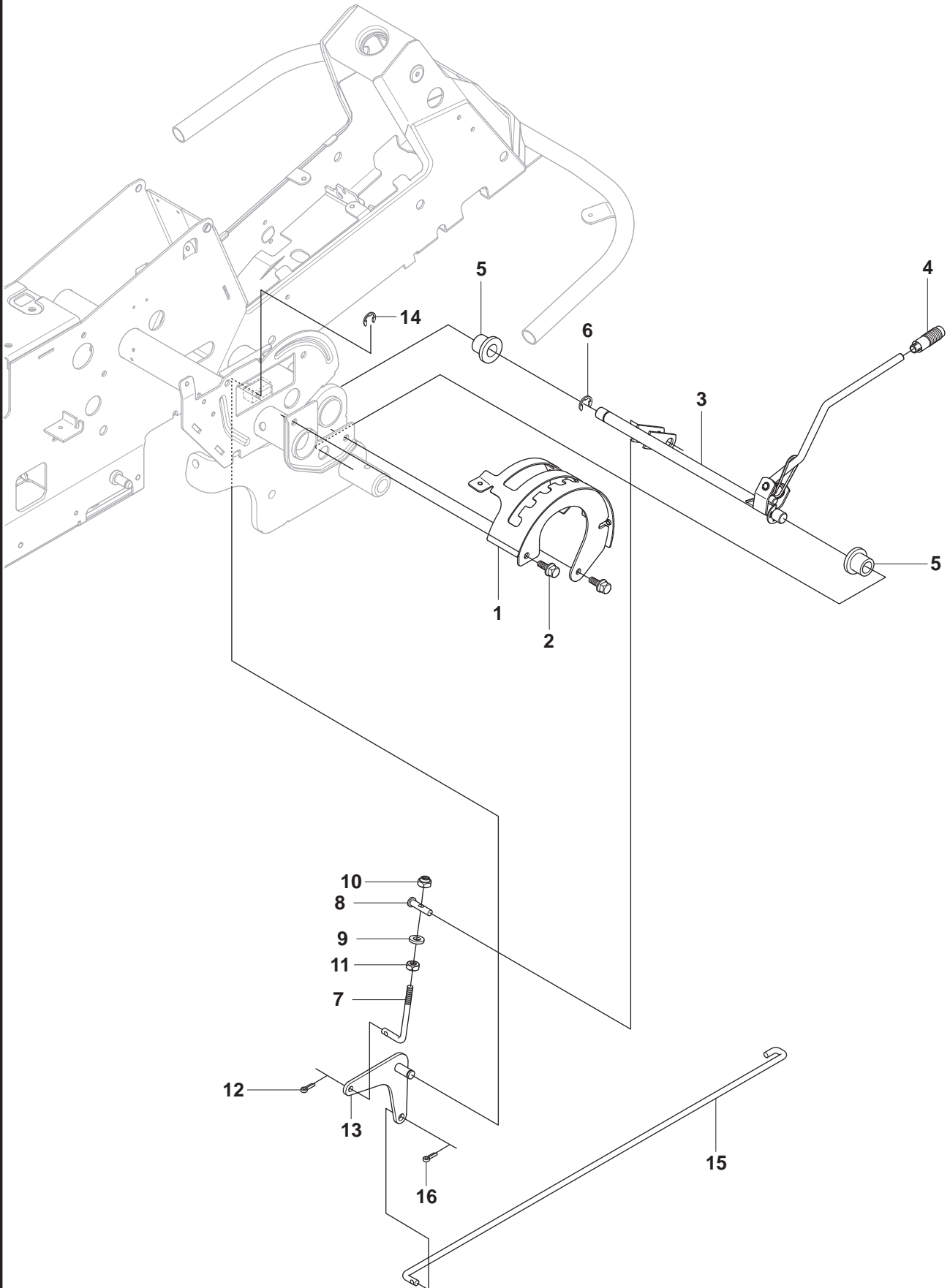




966 83 04-01 RIDER R11R
COVER

Pos.	Compl No.	Part No.	Description	Qty.	Notes
1		544 89 59-01		1	C2
2	544 89 59-01	544 24 84-01		1	C2
3		544 89 59-02		1	C2
4	544 89 59-02	544 24 84-02		1	C2
5		544 40 05-01		4	C2
6		544 24 76-01		1	C1
7	544 24 76-01	544 24 77-01		1	C1 LEFT
8	544 24 76-01	544 24 77-02		1	C1 RIGHT
9	544 24 76-01	722 79 54-02		6	C1
10	544 24 76-01	544 24 78-01		1	C1
11		506 59 95-01		1	C1
12		506 59 96-01		1	C1
13		535 50 25-01		1	C3
14		544 40 05-01		1	C3
15		544 33 21-03		1	C3
16		544 33 22-01		1	C3
17		535 42 91-01		1	C3
18		544 40 05-01		4	C3
19		544 37 39-01		1	C1
20		544 40 05-01		2	C1
21		544 23 92-01		1	C2
22		544 42 75-01		1	C2
23		544 40 05-01		2	C2
24		544 32 65-02		1	C2
25		544 40 05-01		2	C2
26		544 43 32-01		1	C2
27		544 37 42-01		1	C2
28		506 96 35-01		1	C2
29		506 96 36-01		1	C2

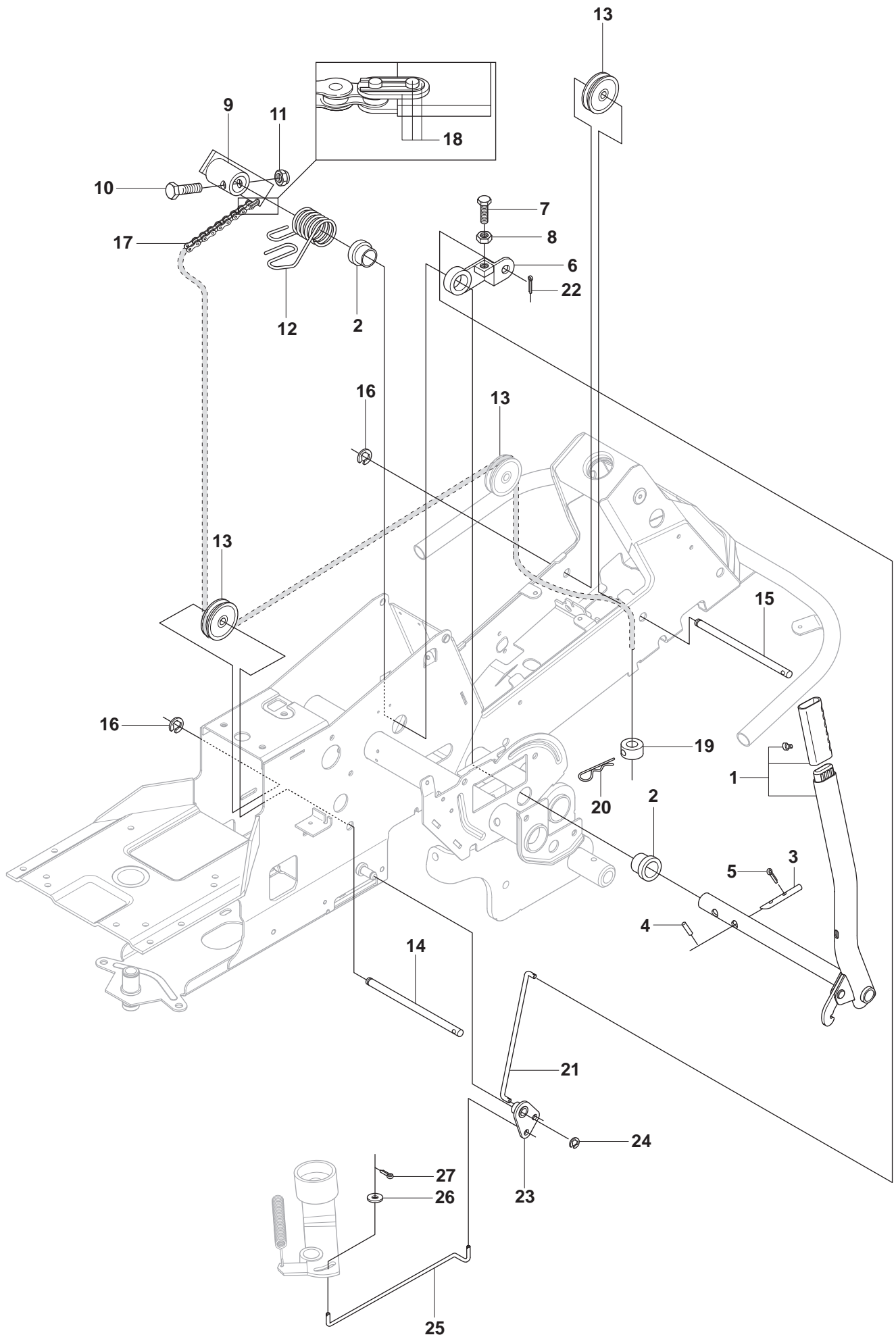
D 966 83 04-01 RIDER R11R
HEIGHT ADJUSTMENT



D**966 83 04-01 RIDER R11R
HEIGHT ADJUSTMENT**

Pos.	Compl No.	Part No.	Description	Qty.	Notes
1		535 50 14-01		1	
2		506 57 01-03		2	
3		504 73 45-01		1	
4		506 54 20-01		1	
5		506 55 43-01		2	
6		735 31 22-20		1	
7		506 90 82-01		1	
8		506 78 46-01		1	
9		734 11 72-01		1	
10		732 21 18-01		1	
11		731 23 18-01		1	
12		721 61 83-01		1	
13		544 22 77-01		1	
14		735 31 15-20		1	
15		544 22 70-01		1	
16		721 61 83-01		1	

E 966 83 04-01 RIDER R11R
MOWER LIFT

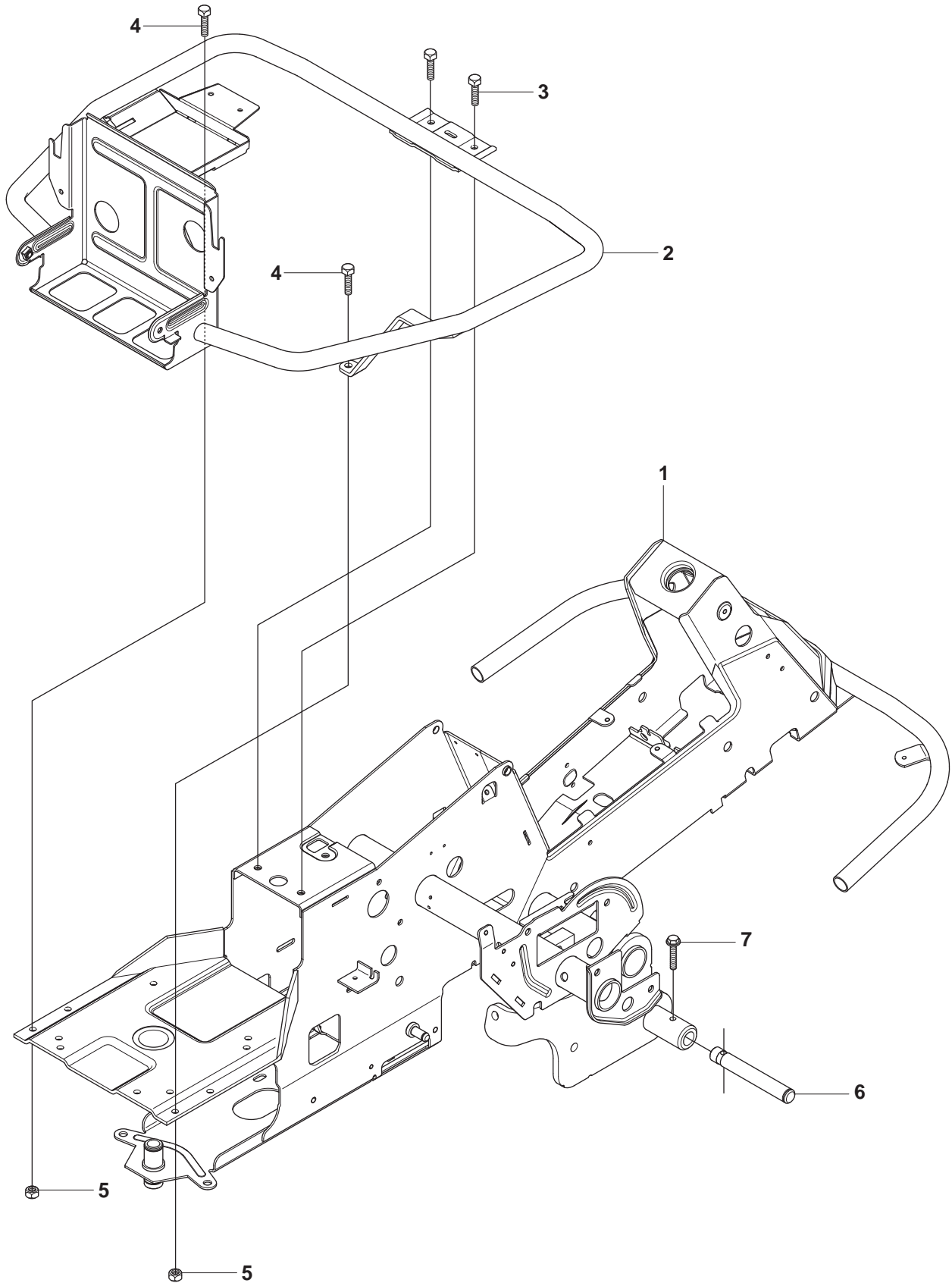




966 83 04-01 RIDER R11R
MOWER LIFT

Pos.	Compl No.	Part No.	Description	Qty.	Notes
1		501 01 86-01		1	
2		506 55 65-01		2	
3		506 90 53-01		1	
4		721 12 59-30		1	
5		721 61 83-01		1	
6		506 78 43-01		1	
7		725 24 97-51		1	
8		731 23 20-51		1	
9		544 43 36-01		1	
10		725 25 42-51		1	
11		732 25 22-01		1	
12		506 91 68-01		1	
13		506 90 56-01		2	
14		506 90 57-01		1	
15		506 90 57-02		1	
16		735 31 18-20		2	
17		506 55 46-07		1	
18		506 55 47-01		1	
19		544 93 42-01		1	
20		506 96 66-01		1	
21		544 45 69-01		1	
22		721 61 83-01		1	
23		544 37 86-01		1	
24		735 31 14-20		1	
25		544 44 88-01		1	
26		734 11 64-41		1	
27		721 61 83-01		1	

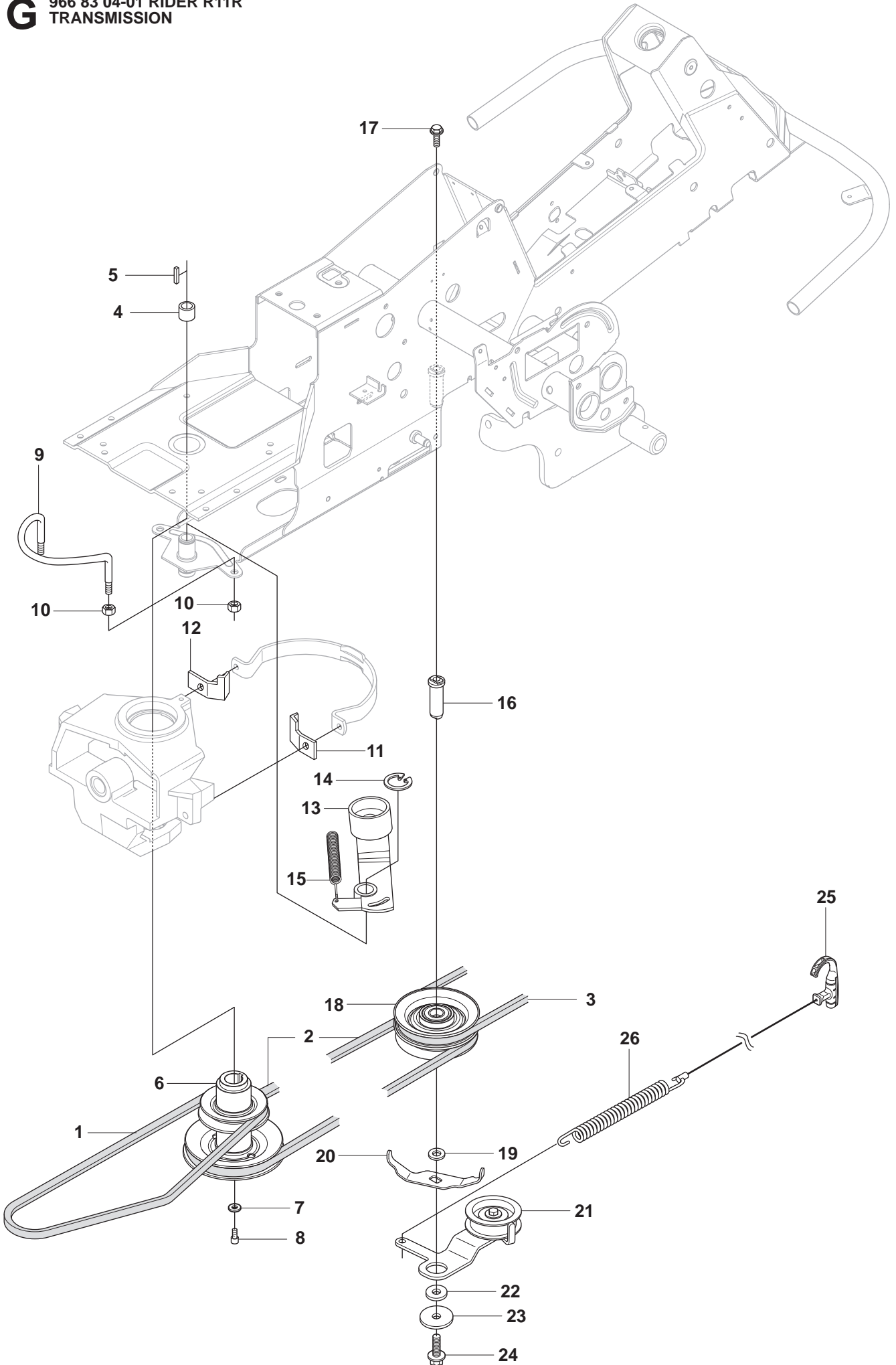
F 966 83 04-01 RIDER R11R
CHASSIS



F966 83 04-01 RIDER R11R
CHASSIS

Pos.	Compl No.	Part No.	Description	Qty.	Notes
1		544 84 23-01		1	
2		544 24 45-01		1	
3		506 57 01-03		2	
4		725 24 51-71		2	
5		732 21 18-01		2	
6		535 47 08-01		2	
7		725 24 59-61		2	

G 966 83 04-01 RIDER R11R
TRANSMISSION



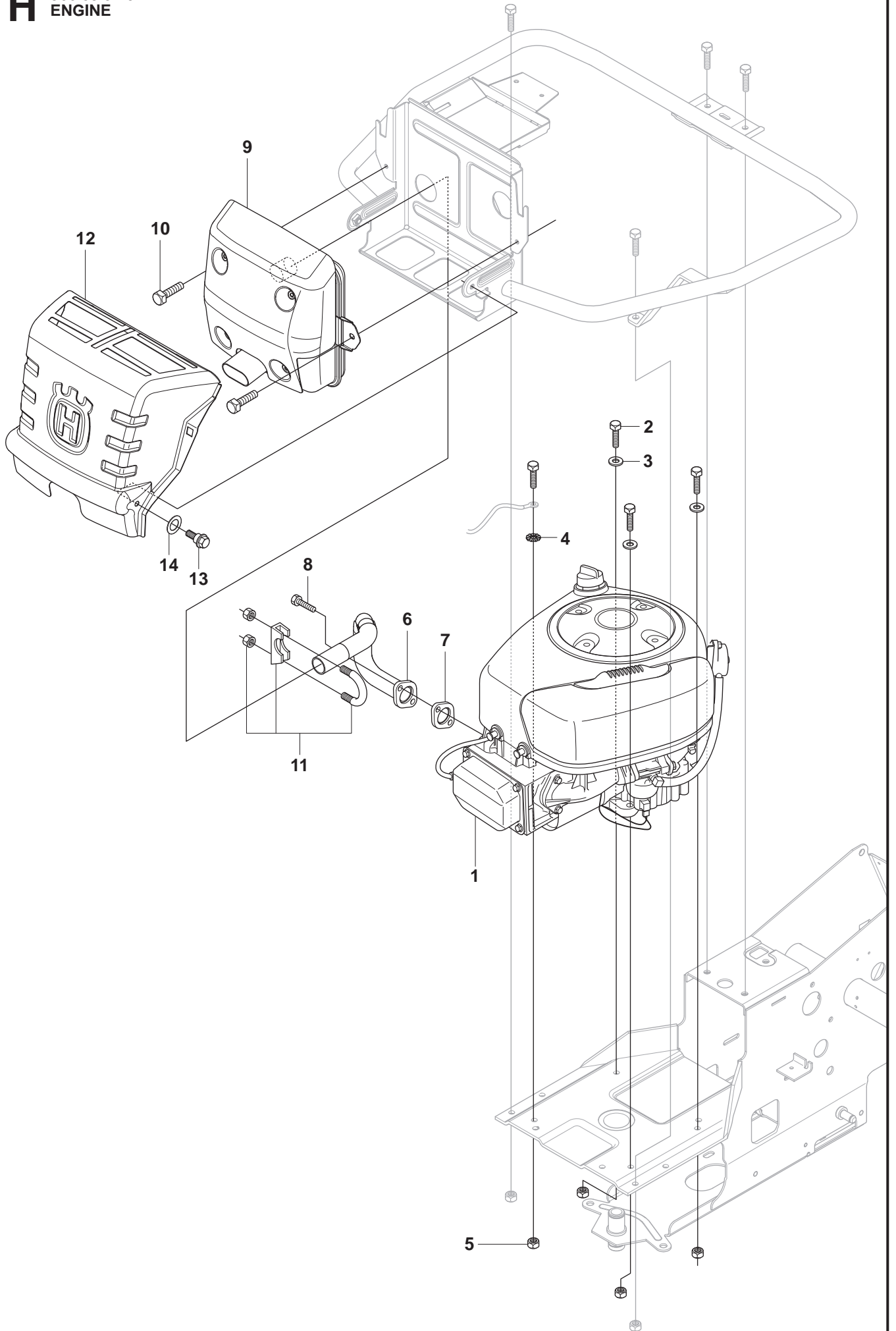


966 83 04-01 RIDER R11R
TRANSMISSION

Pos.	Compl No.	Part No.	Description	Qty.	Notes
1		506 54 49-01		1	
2		544 40 02-01		1	
3		544 23 89-01		1	
4		506 50 92-01		1	
5		506 55 59-01		1	
6		506 58 52-01		1	
7		506 59 75-01		1	
8		506 55 60-02		1	
9		506 66 45-01		1	
10		731 23 20-51		4	
11		506 67 44-01		1	
12		506 67 45-01		1	
13		535 48 44-01		1	
14		735 31 26-00		1	
15		506 66 56-01		1	
16		544 42 61-01		1	
17		506 67 54-02		1	
18		535 48 22-01		1	
19		506 77 57-01		1	
20		544 40 53-01		1	
21		544 22 81-01		1	
22		506 59 75-01		1	
23		506 98 25-01		1	
24		506 57 01-05		1	
25		544 23 95-01		1	
26		544 23 88-01		1	



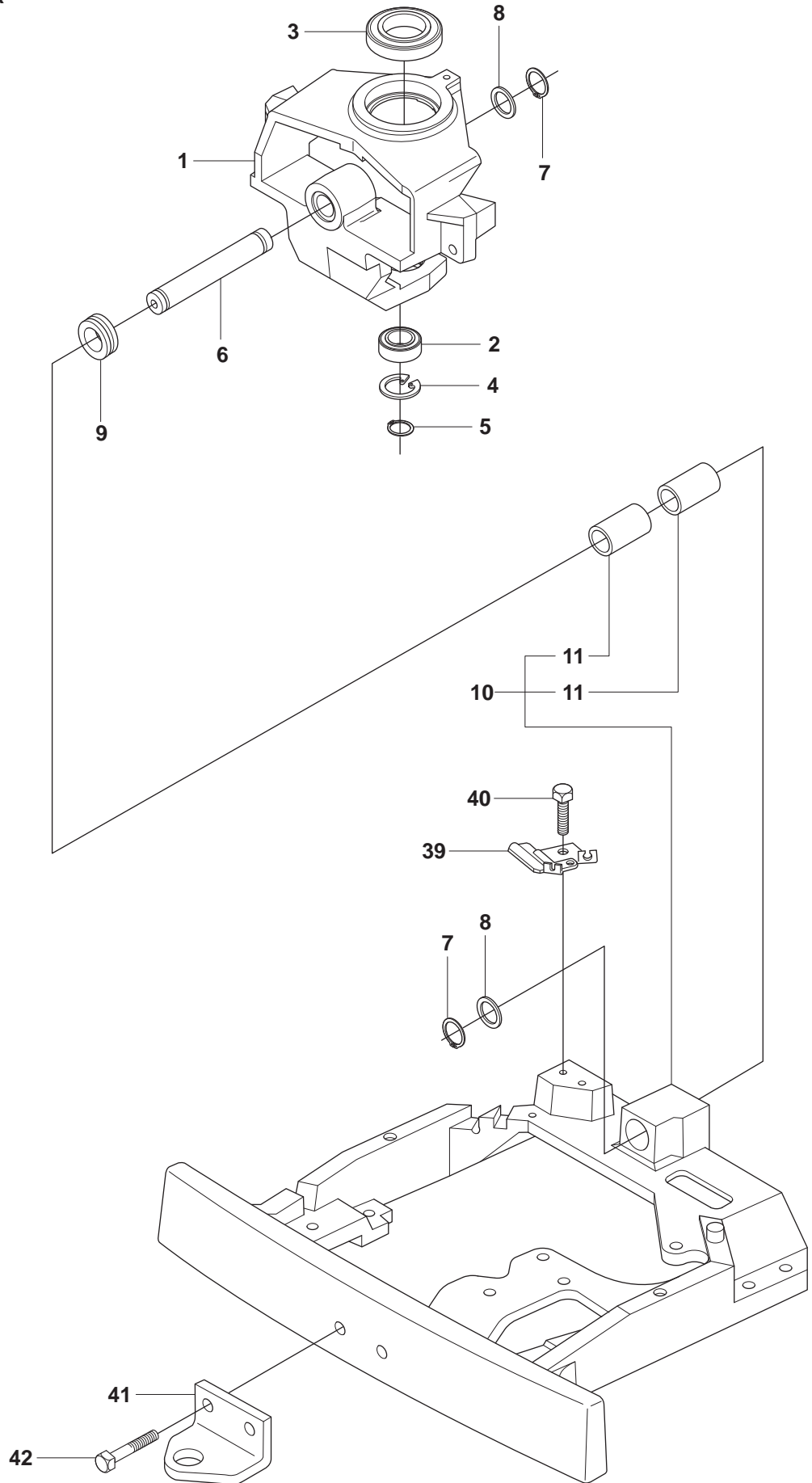
966 83 04-01 RIDER R11R
ENGINE

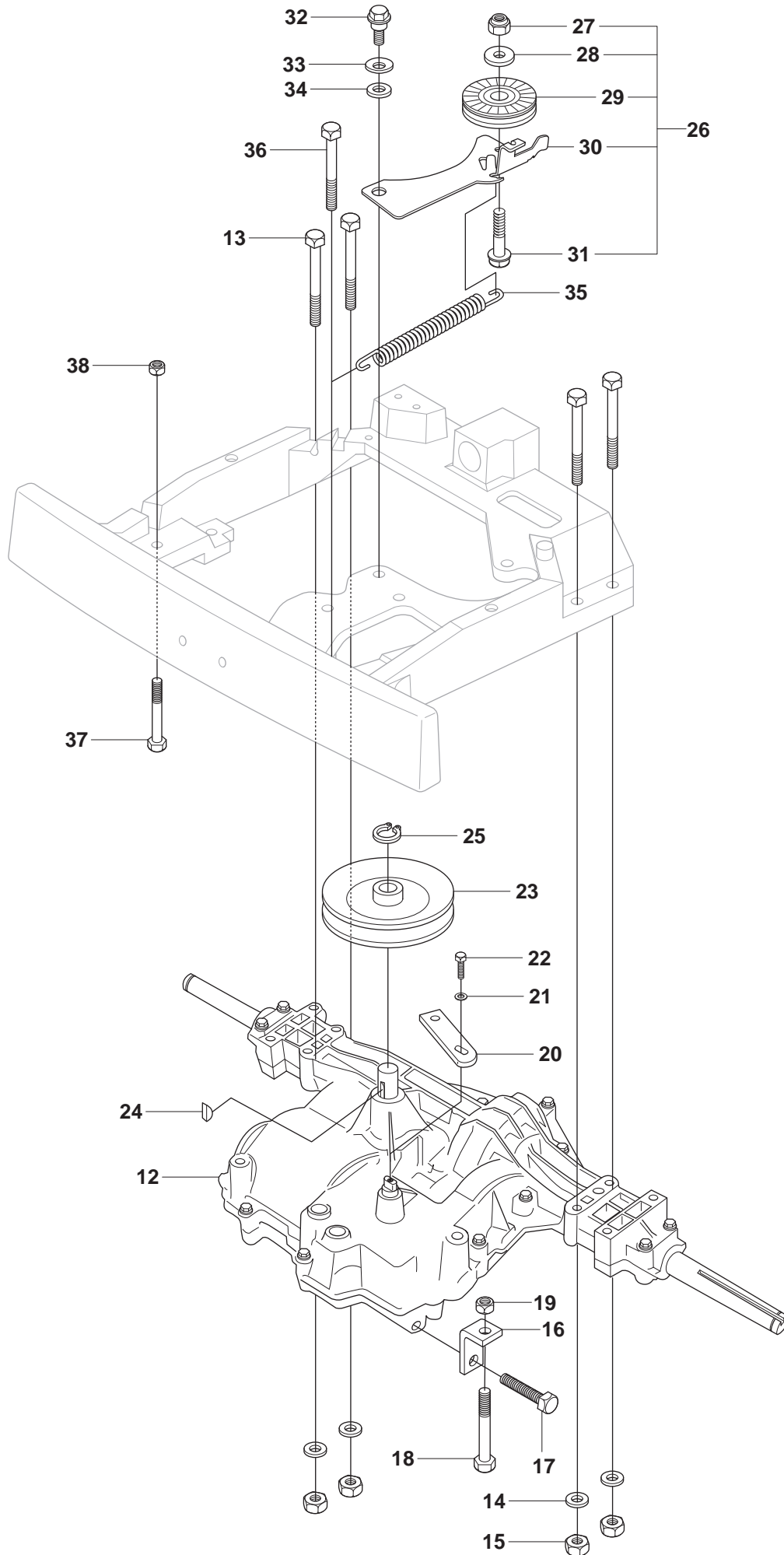




966 83 04-01 RIDER R11R
ENGINE

Pos.	Compl No.	Part No.	Description	Qty.	Notes
1		535 44 07-01		1	
2		725 24 57-51		4	
3		734 11 64-01		3	
4		735 21 64-00		1	
5		732 21 18-01		4	
6		535 50 06-01		1	
7		506 91 45-01		1	
8		506 55 63-01		2	
9		544 33 57-01		1	
10		725 23 64-61		2	
11		506 66 84-01		1	
12		544 24 83-01		1	
13		506 59 74-01		2	
14		506 83 94-01		2	

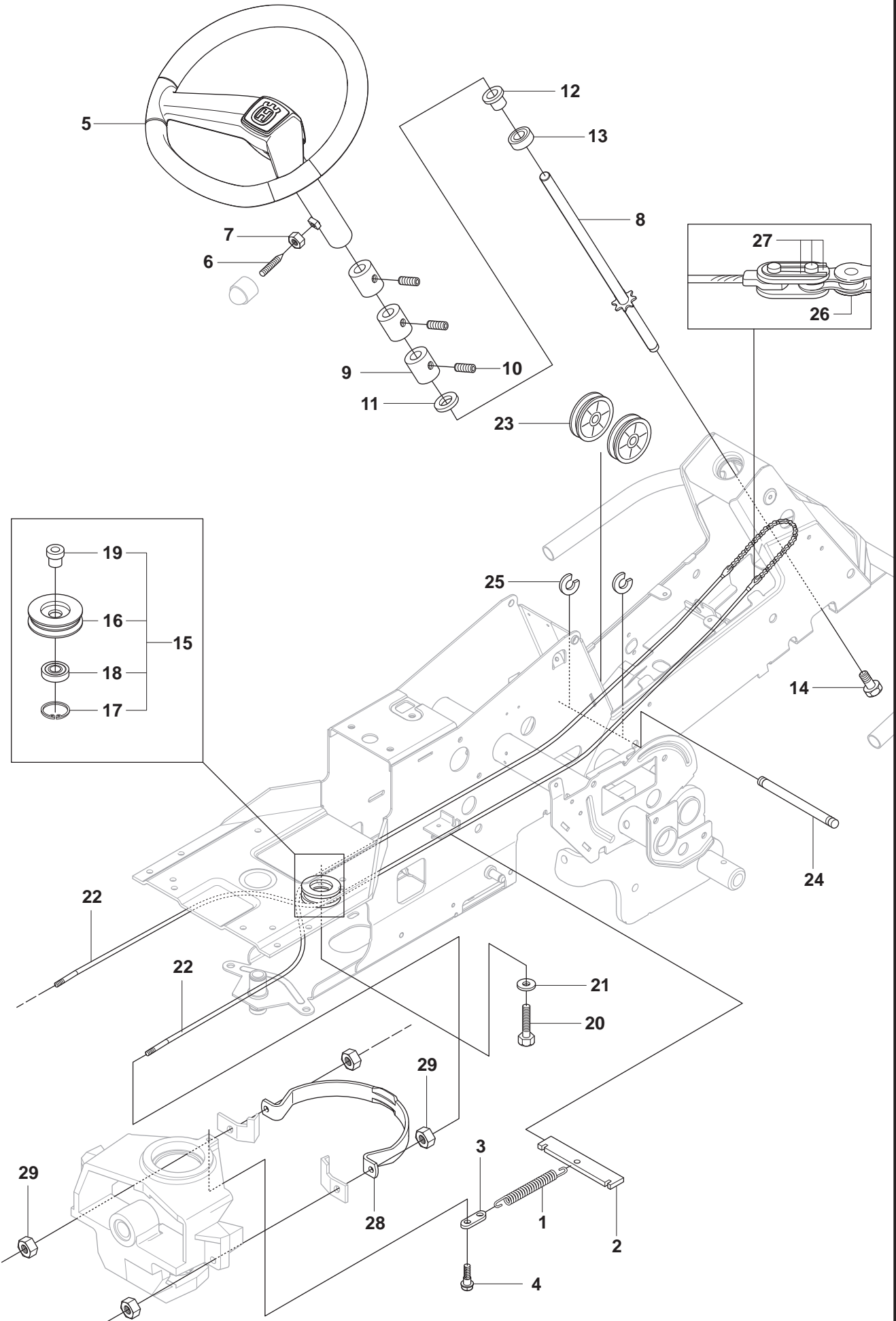
J1966 83 04-01 RIDER R11R
CHASSIS, REAR

J2966 83 04-01 RIDER R11R
CHASSIS, REAR

J**966 83 04-01 RIDER R11R
CHASSIS, REAR**

Pos.	Compl No.	Part No.	Description	Qty.	Notes
1		506 98 58-03		1	J1
2		738 21 05-04		1	J1
3		738 21 10-04		1	J1
4		735 31 40-10		1	J1
5		735 31 26-00		1	J1
6		506 98 59-01		1	J1
7		735 31 26-00		2	J1
8		506 77 34-01		2	J1
9		740 68 14-21		1	J1
10		535 40 60-01		1	J1
11	535 40 60-01	506 98 61-02		2	J1
12		506 95 55-01		1	J2
13		725 24 67-51		4	J2
14		734 11 64-01		4	J2
15		731 23 18-01		4	J2
16		506 57 51-01		1	J2
17		506 55 83-02		1	J2
18		725 24 55-51		1	J2
19		731 23 18-01		1	J2
20		506 90 45-01		1	J2
21		734 11 56-01		1	J2
22		506 55 78-01		1	J2
23		502 23 44-01		1	J2
24		506 50 94-01		1	J2
25		735 31 18-00		1	J2
26		506 98 95-01		1	J2
27	506 98 95-01	732 21 18-01		1	J2
28	506 98 95-01	734 11 64-41		1	J2
29	506 98 95-01	506 79 34-01		1	J2
30	506 98 95-01	506 98 96-01		1	J2
31	506 98 95-01	725 24 55-51		1	J2
32		506 59 74-01		1	J2
33		506 83 94-01		1	J2
34		734 11 78-01		1	J2
35		506 98 86-01		1	J2
36		725 24 64-51		1	J2
37		725 24 55-51		1	J2
38		731 23 18-01		1	J2
39		506 57 52-01		1	J1
40		725 23 66-51		2	J1
41		506 88 99-01		1	J1
42		725 24 93-71		2	J1

K 966 83 04-01 RIDER R11R
STEERING



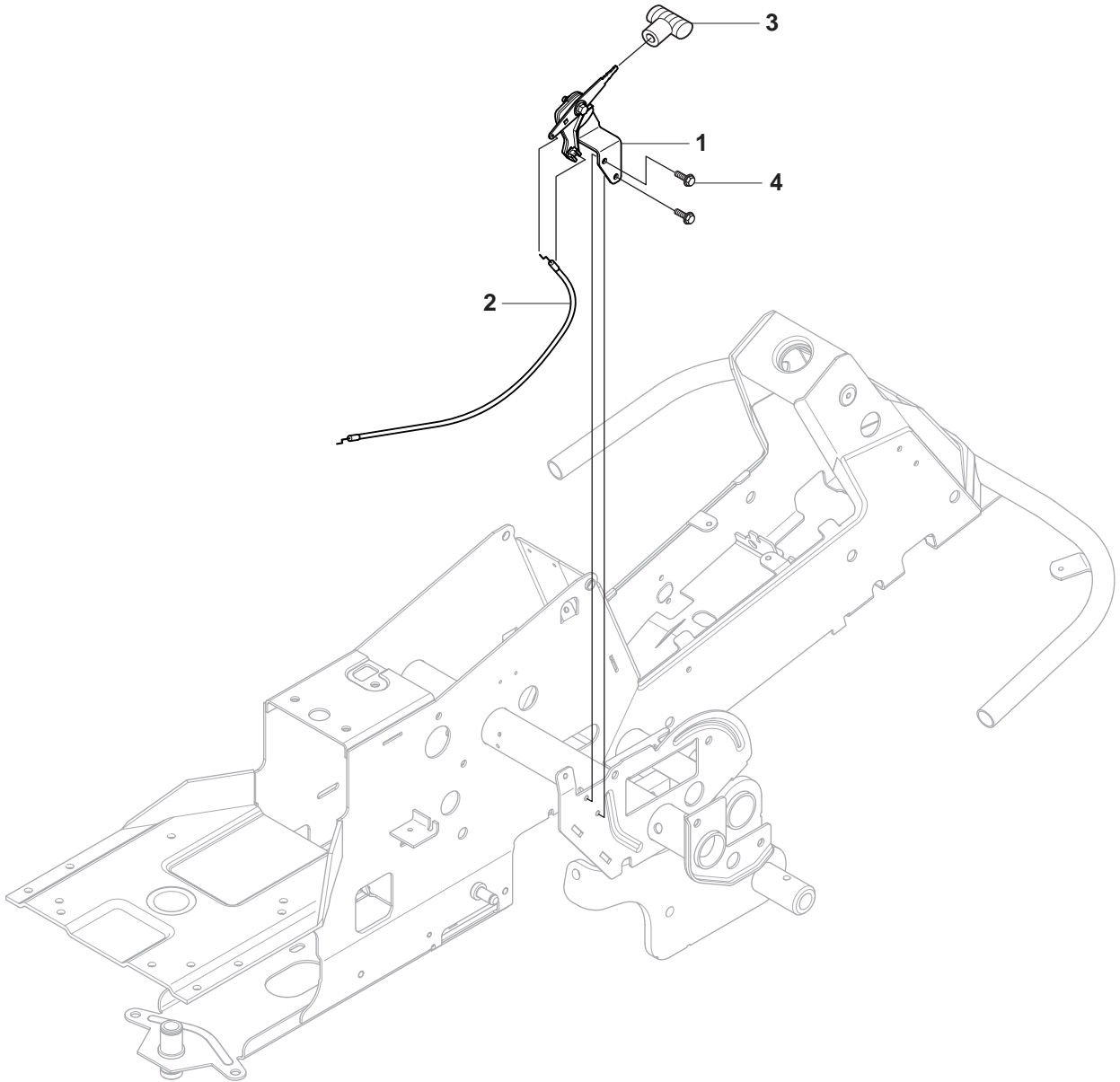


966 83 04-01 RIDER R11R
STEERING

Pos.	Compl No.	Part No.	Description	Qty.	Notes
1		506 67 19-01		1	
2		506 57 63-01		1	
3		506 67 08-01		1	
4		506 59 74-01		1	
5		544 37 52-02		1	
6		728 74 55-05		1	
7		731 23 18-01		1	
8		535 49 95-01		1	
9		506 86 34-01		3	
10		728 84 43-05		3	
11		506 86 36-01		1	
12		506 88 78-01		1	
13		738 21 04-04		1	
14		506 57 01-04		1	
15		506 50 09-03		1	
16	506 50 09-03	535 42 41-01		1	
17	506 50 09-03	735 31 40-10		1	
18	506 50 09-03	738 22 04-19		1	
19	506 50 09-03	506 50 08-02		1	
20		506 67 54-02		1	
21		734 11 74-41		1	
22		506 58 91-04		2	
23		506 52 24-01		2	
24		506 53 94-02		1	
25		735 31 14-20		2	
26		506 55 46-01		1	
27		506 55 47-01		2	
28		544 42 73-01		1	
29		731 23 20-51		4	



966 83 04-01 RIDER R11R
CONTROLS

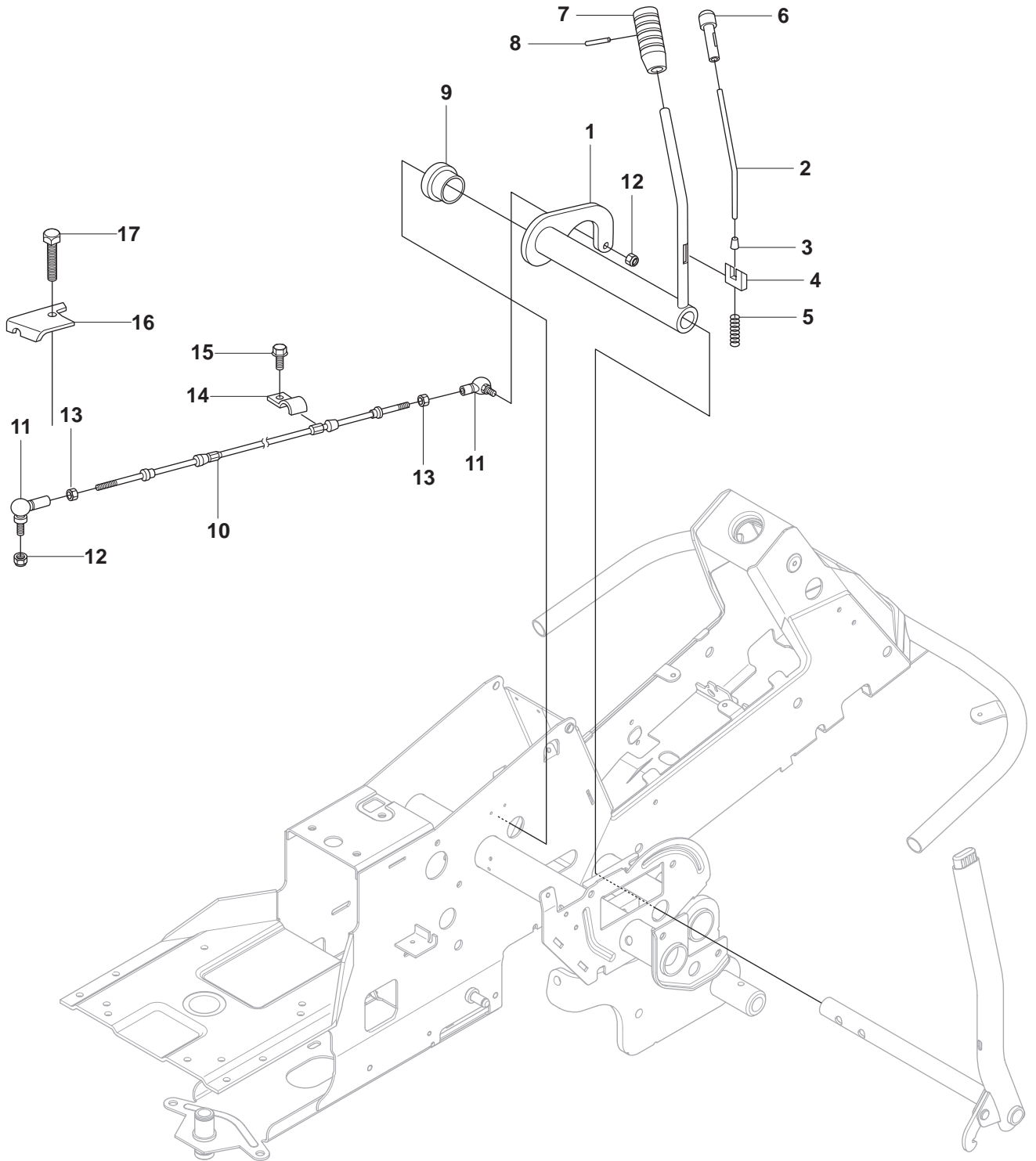




966 83 04-01 RIDER R11R
CONTROLS

Pos.	Compl No.	Part No.	Description	Qty.	Notes
1		544 30 15-01		1	
2		544 30 17-01		1	
3		506 88 91-01		1	
4		725 23 64-61		2	

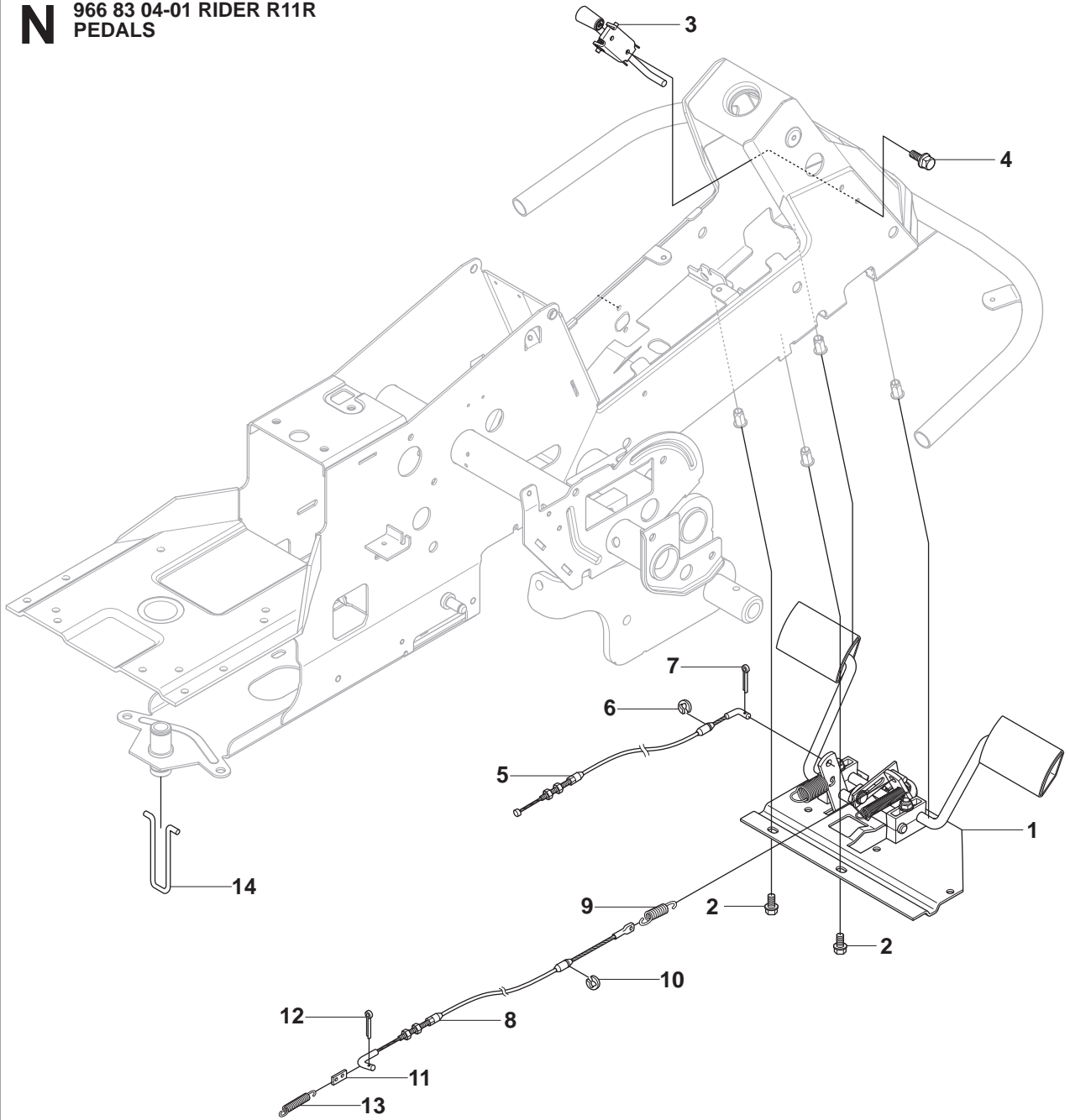
M 966 83 04-01 RIDER R11R
CONTROLS



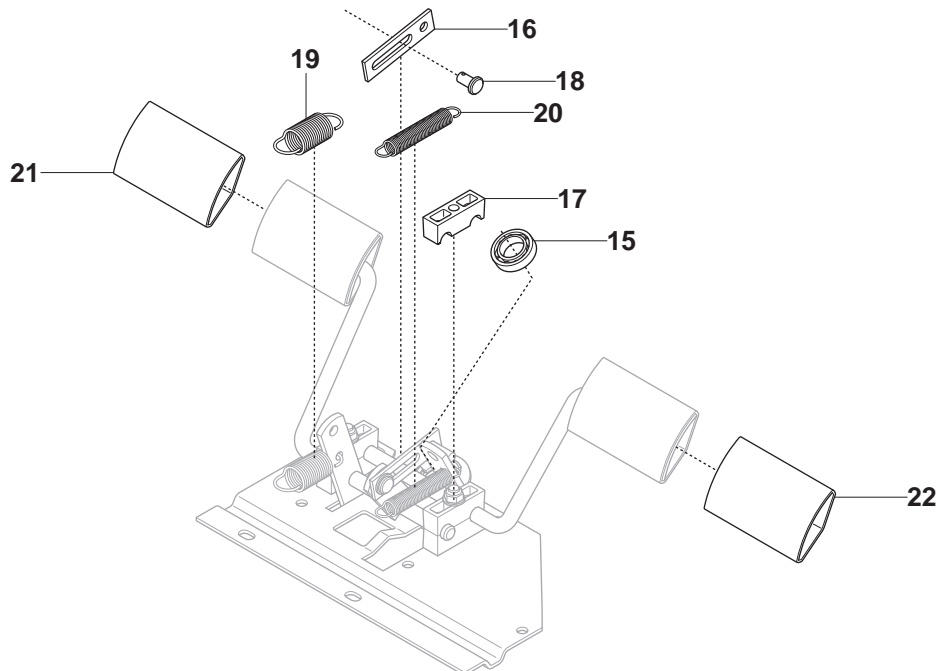
M 966 83 04-01 RIDER R11R
CONTROLS

Pos.	Compl No.	Part No.	Description	Qty.	Notes
1		506 90 65-01		1	
2		506 90 69-01		1	
3		506 83 17-01		1	
4		506 83 18-01		1	
5		506 83 23-02		1	
6		506 90 70-01		1	
7		506 90 71-01		1	
8		721 42 12-26		1	
9		506 55 65-01		1	
10		506 90 73-01		1	
11		506 55 73-01		2	
12		732 21 14-01		2	
13		731 23 14-01		2	
14		506 56 65-01		1	
15		725 23 64-61		1	
16		506 90 74-01		1	
17		725 23 66-51		1	

N 966 83 04-01 RIDER R11R
PEDALS



PEDALS

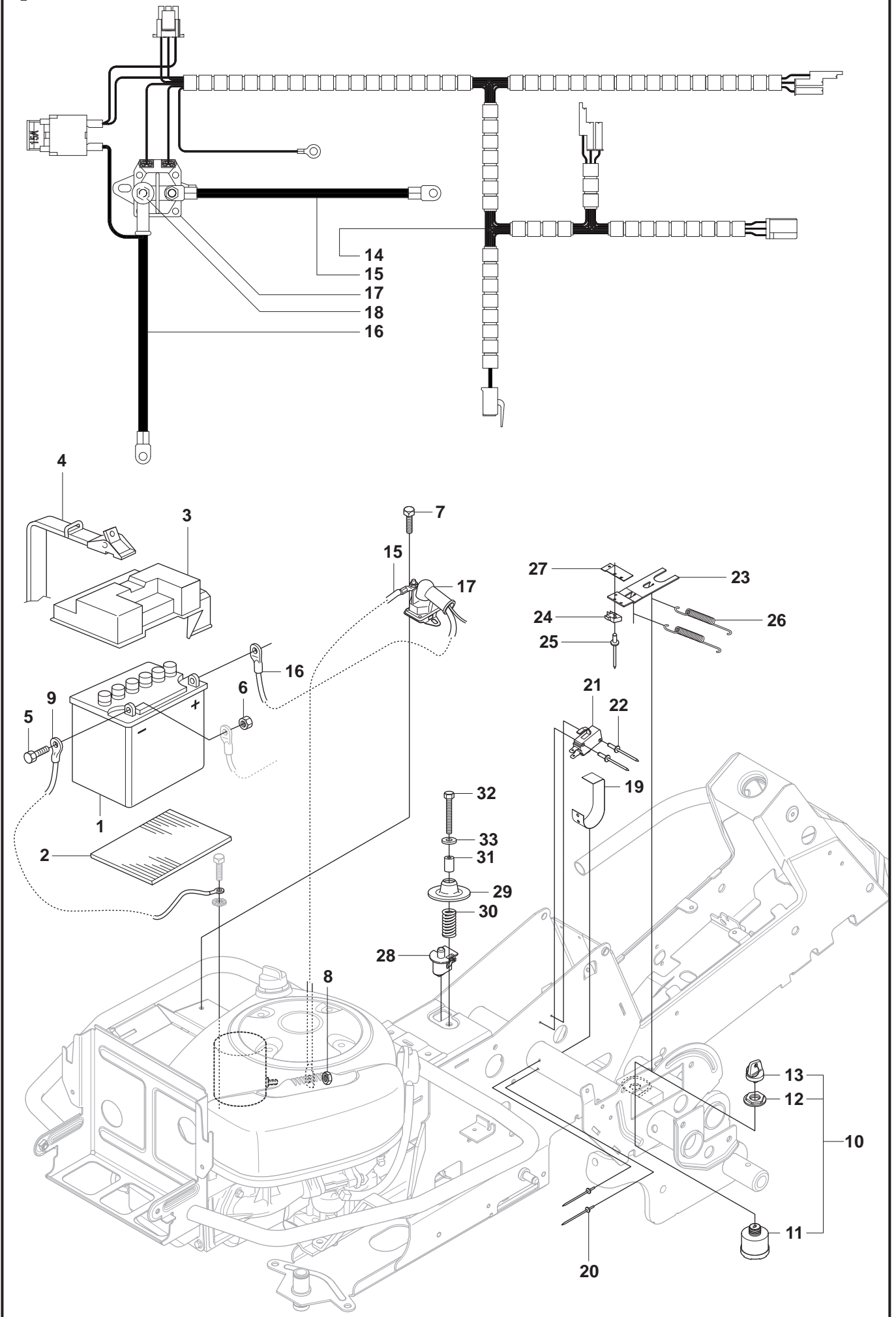




966 83 04-01 RIDER R11R
PEDALS

Pos.	Compl No.	Part No.	Description	Qty.	Notes
1		544 13 23-01		1	
2		506 57 01-04		4	
3		544 40 31-01		1	
4		725 23 64-61		2	
5		506 95 25-01		1	
6		735 31 09-20		1	
7		721 61 52-01		1	
8		506 95 26-01		1	
9		506 91 91-01		1	
10		735 31 09-20		1	
11		506 59 93-01		1	
12		721 61 52-01		1	
13		506 53 56-03		1	
14		506 57 64-01		1	
15	544 13 23-01	738 21 02-04		1	
16	544 13 23-01	544 12 79-01		1	
17	544 13 23-01	535 48 08-01		4	
18	544 13 23-01	721 83 99-01		1	
19	544 13 23-01	544 13 34-01		1	
20	544 13 23-01	544 13 36-01		1	
21	544 13 23-01	535 47 88-02		1	
22	544 13 23-01	535 47 88-02		1	

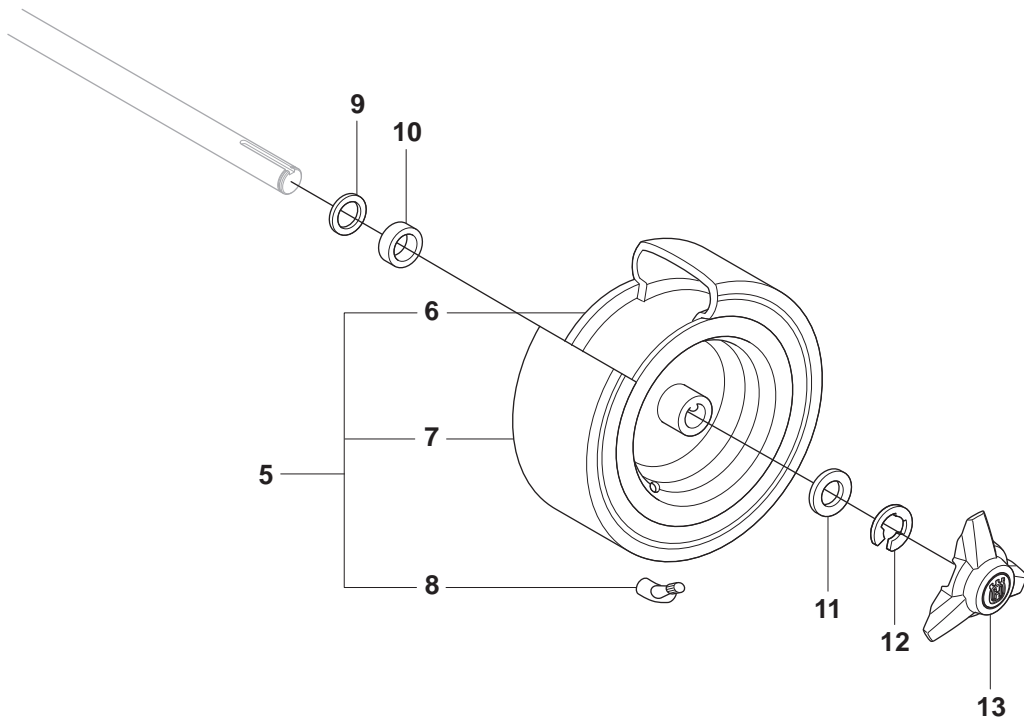
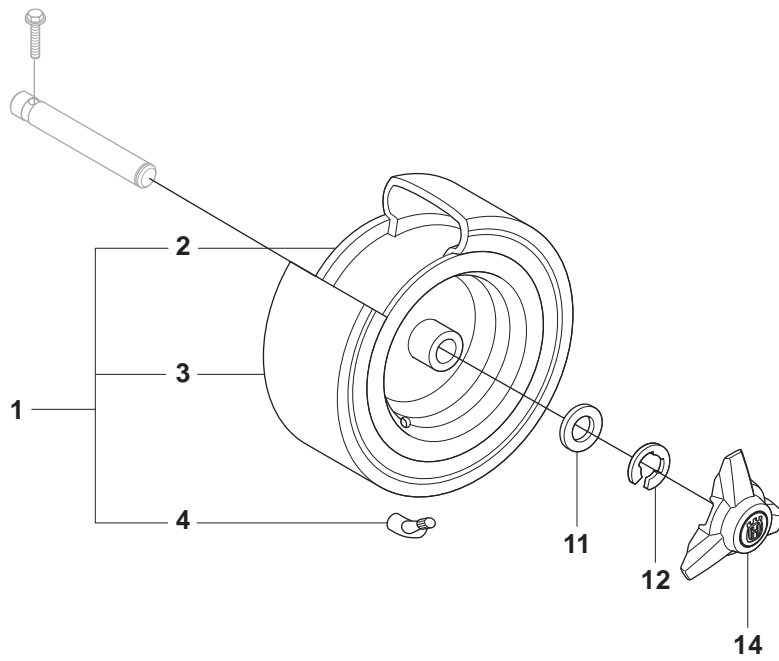
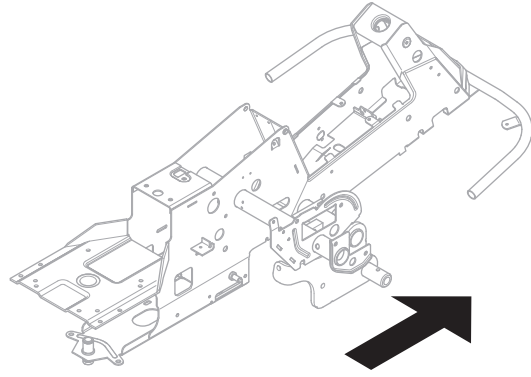
P 966 83 04-01 RIDER R11R
ELECTRICAL



P**966 83 04-01 RIDER R11R
ELECTRICAL**

Pos.	Compl No.	Part No.	Description	Qty.	Notes
1		506 78 88-01		1	
2		535 44 11-01		1	
3		506 80 99-01		1	
4		506 83 68-02		1	
5		725 23 70-71		1	
6		731 23 16-01		1	
7		725 23 64-61		1	
8		506 89 98-01		1	
9		544 96 76-01		1	
10		544 44 21-01		1	
11	544 44 21-01	544 44 22-01		1	
12	544 44 21-01	544 44 23-01		1	
13	544 44 21-01	544 44 24-01		1	
14		544 92 60-01		1	
15		544 92 86-01		1	
16		544 92 61-01		1	
17		544 43 98-01		1	
18		506 89 98-01		2	
19		506 90 93-01		1	
20		722 78 39-02		2	
21		535 46 91-01		1	
22		544 44 07-01		2	
23		506 90 94-02		1	
24		535 46 91-01		1	
25		544 44 07-01		2	
26		506 83 43-01		2	
27		504 71 16-01		1	
28		506 90 96-01		1	
29		506 90 97-01		1	
30		544 44 12-01		1	
31		506 90 99-02		1	
32		725 24 60-51		1	
33		734 11 64-01		1	

Q 966 83 04-01 RIDER R11R
WHEELS & TIRES

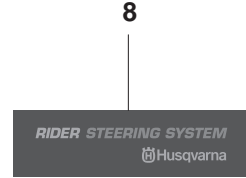
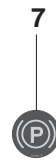
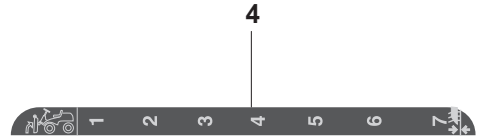
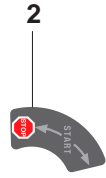
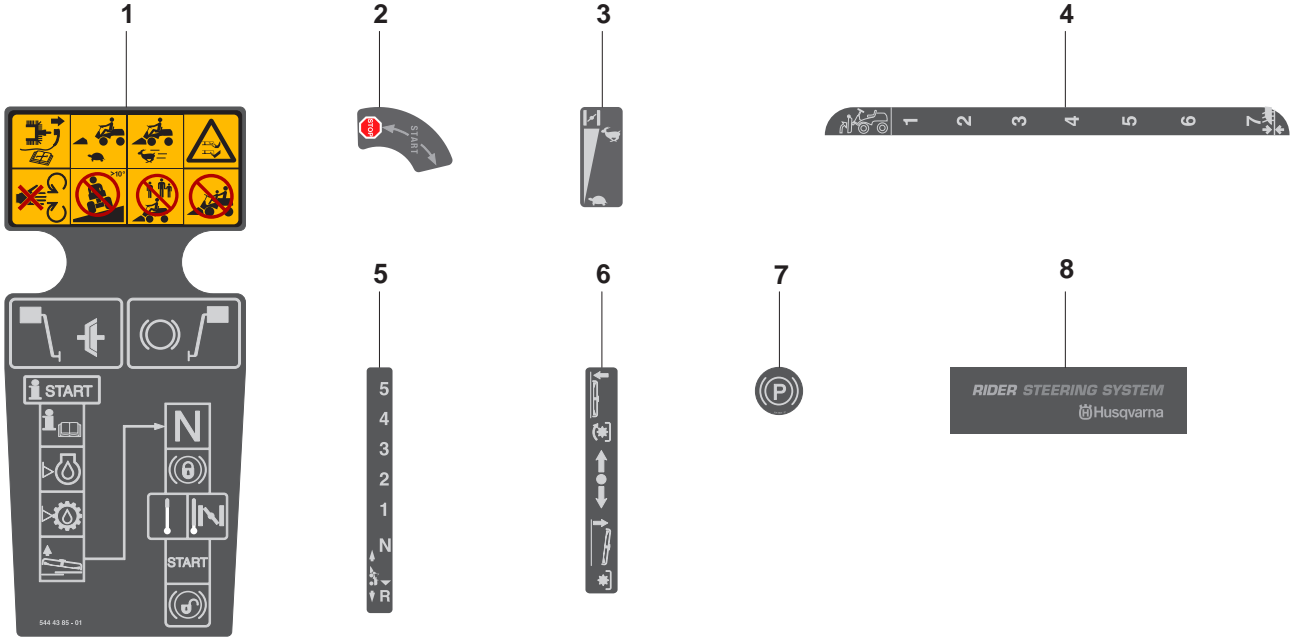




966 83 04-01 RIDER R11R
WHEELS & TIRES

Pos.	Compl No.	Part No.	Description	Qty.	Notes
1		544 12 62-01		2	
2	544 12 62-01	544 11 43-01		1	
3	544 12 62-01	535 46 00-01		1	
4	544 12 62-01	506 57 43-01		1	
5		544 12 63-01		2	
6	544 12 63-01	544 11 42-01		1	
7	544 12 63-01	535 46 00-01		1	
8	544 12 63-01	506 57 43-01		1	
9		506 50 48-03		2	
10		506 59 62-01		2	
11		506 50 48-05		4	
12		506 89 90-01		4	
13		544 35 35-01		2	
14		544 35 35-02		2	

R 966 83 04-01 RIDER R11R
DECALS

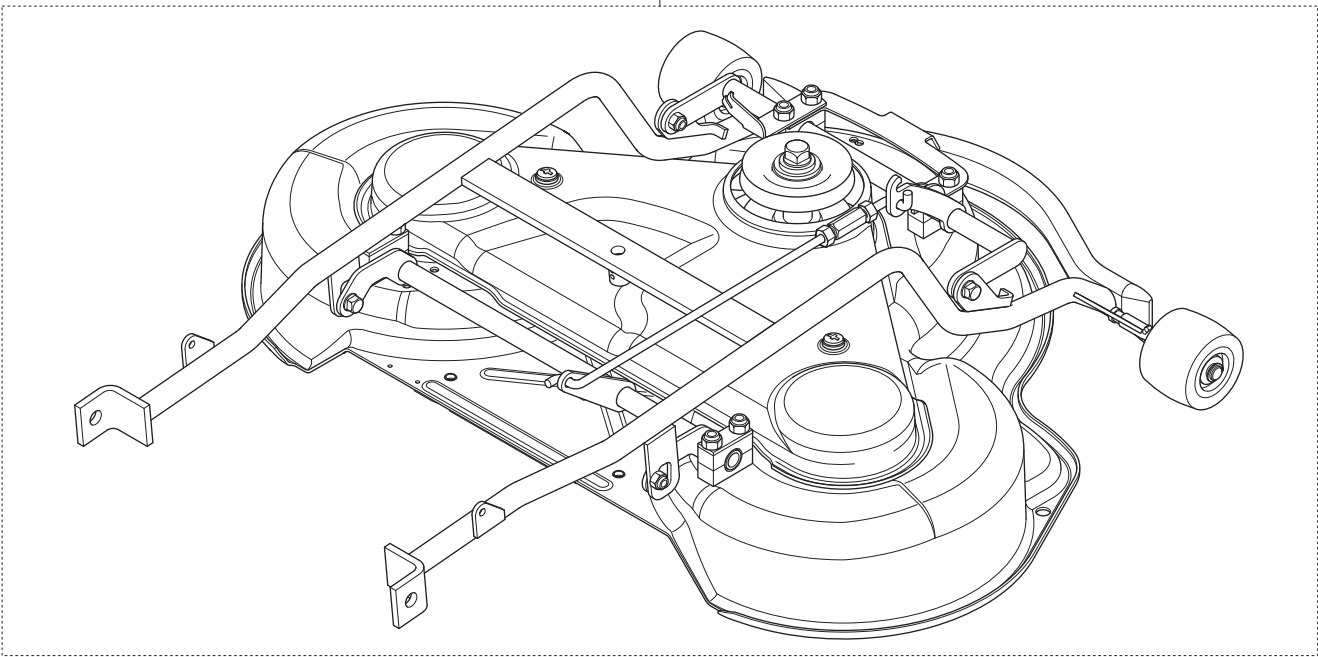
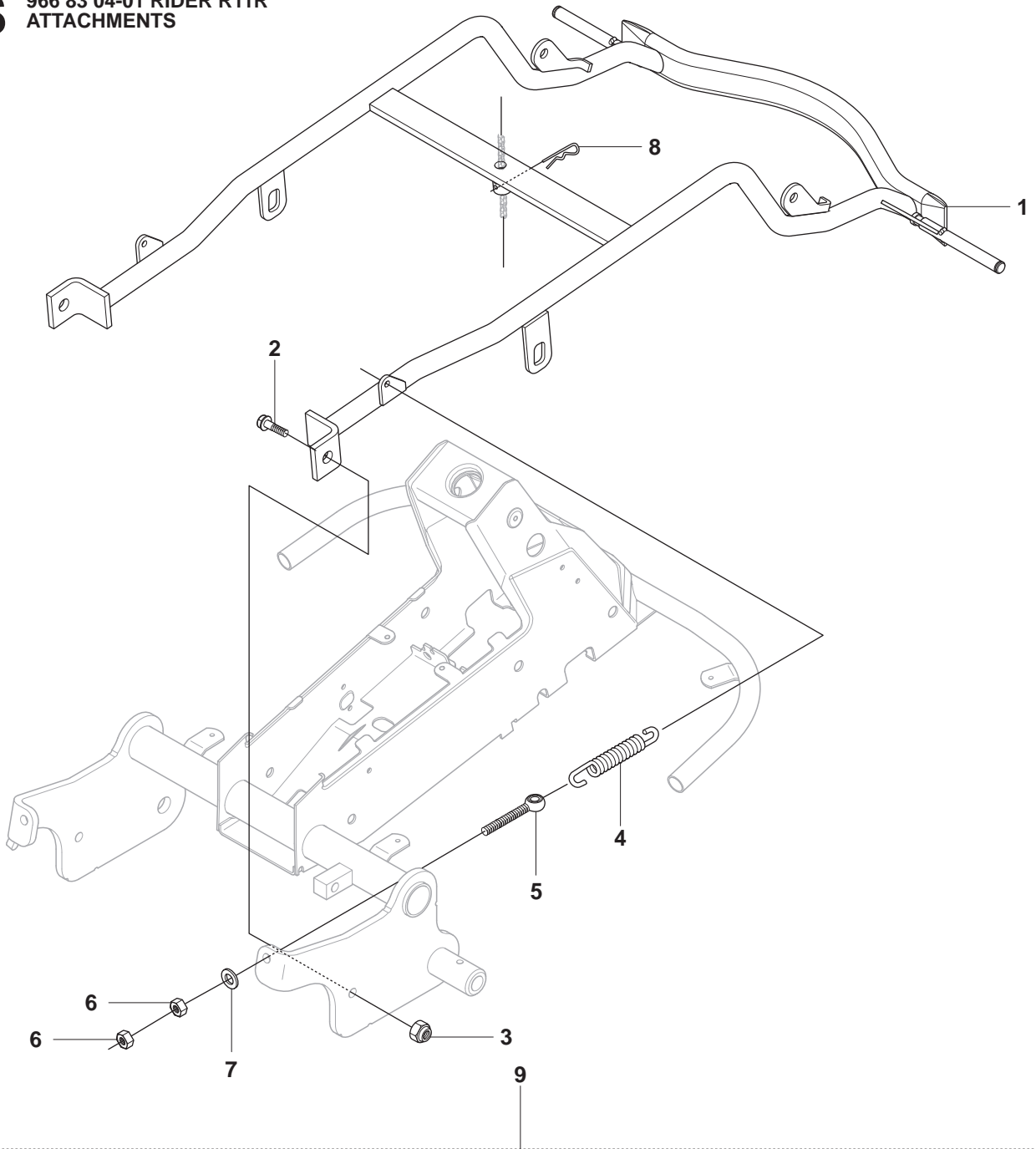


R966 83 04-01 RIDER R11R
DECALS

Pos.	Compl No.	Part No.	Description	Qty.	Notes
1		544 43 85-01		1	
2		544 43 87-01		1	
3		544 43 88-01		1	
4		544 43 90-01		1	
5		544 43 91-01		1	
6		544 43 92-01		1	
7		506 58 45-01		1	
8		544 83 36-01		1	
9		535 43 20-01		1	
10		544 39 11-02		1	
11		505 50 63-01		1	LEFT
12		505 50 63-02		1	RIGHT



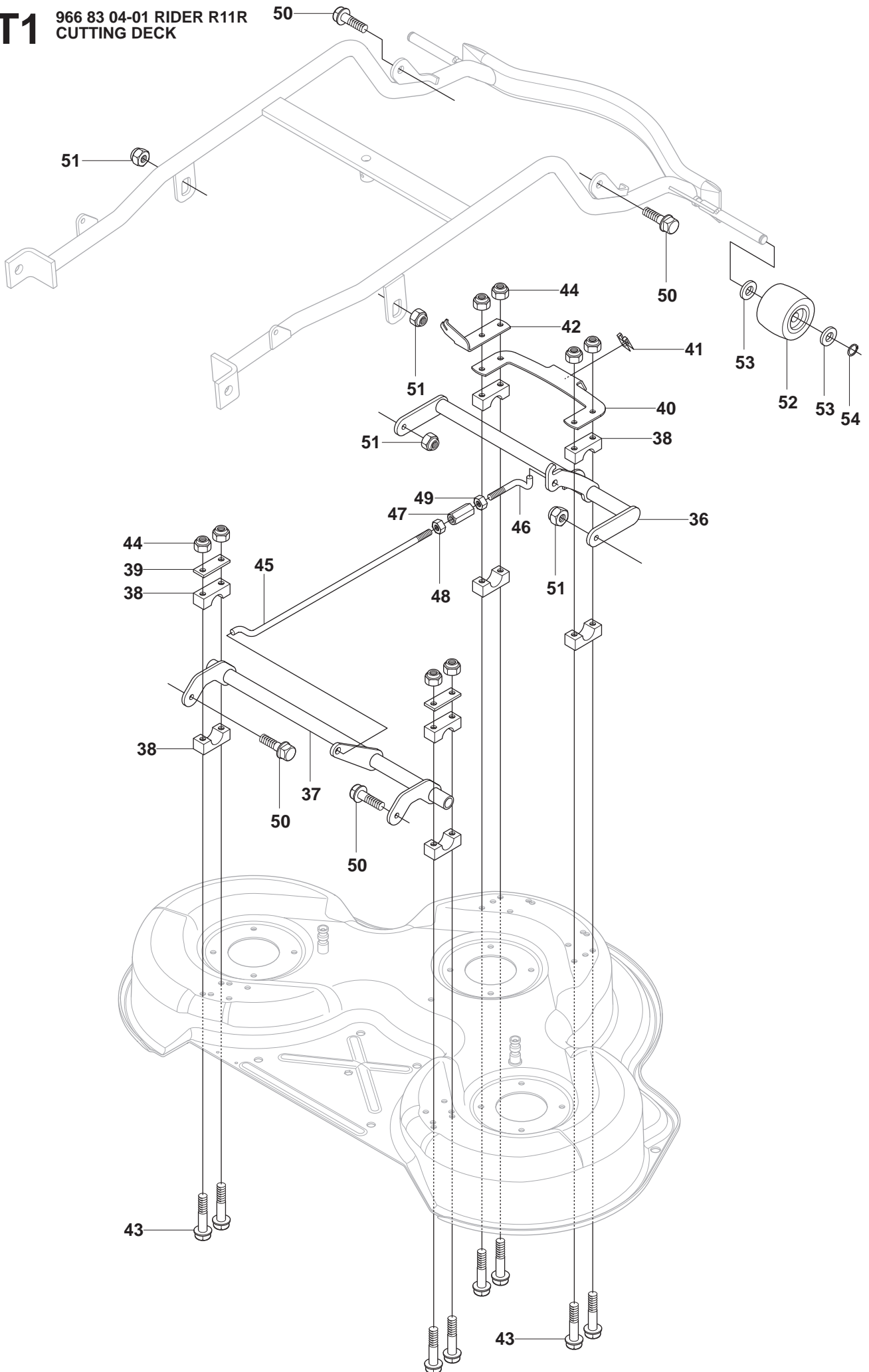
966 83 04-01 RIDER R11R
ATTACHMENTS



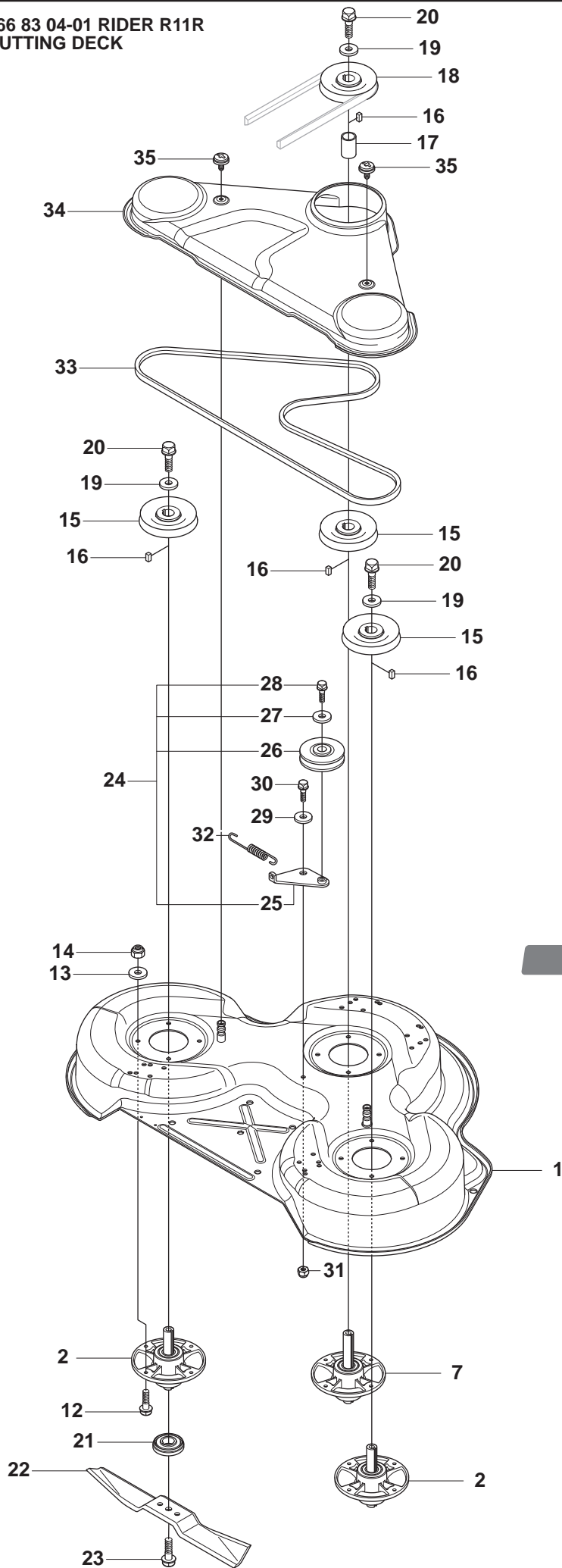


966 83 04-01 RIDER R11R
ATTACHMENTS

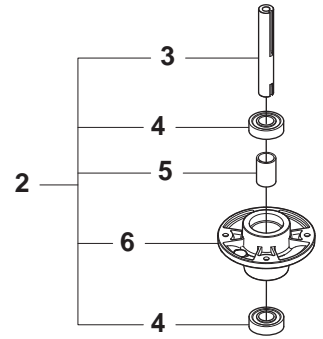
Pos.	Compl No.	Part No.	Description	Qty.	Notes
1		504 79 41-01		1	
2		506 89 58-01		2	
3		732 25 22-01		2	
4		506 67 19-01		2	
5		506 83 77-01		2	
6		731 23 20-51		4	
7		734 11 72-01		2	
8		506 96 66-01		1	
9		544 43 79-05		1	

T1966 83 04-01 RIDER R11R
CUTTING DECK

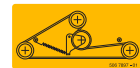
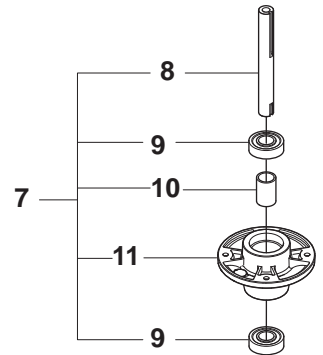
T2 966 83 04-01 RIDER R11R
CUTTING DECK



Yttre.
Outer.
Exterieur.
Äusser.
Ulko.



Mitten.
Centre.
Centre.
Zentrum.
Keski.



55

Rear 94

56



966 83 04-01 RIDER R11R
CUTTING DECK

Pos.	Compl No.	Part No.	Description	Qty.	Notes
1		544 06 55-06		1	T2
2		544 06 59-01		2	T2
3	544 06 59-01	544 06 79-02		1	T2
4	544 06 59-01	738 23 04-34		2	T2
5	544 06 59-01	544 06 80-01		1	T2
6	544 06 59-01	544 06 78-01		1	T2
7		544 06 59-03		1	T2
8	544 06 59-03	544 06 79-01		1	T2
9	544 06 59-03	738 23 04-34		2	T2
10	544 06 59-03	544 06 80-01		1	T2
11	544 06 59-03	544 06 78-01		1	T2
12		535 42 38-01		12	T2
13		734 11 64-01		12	T2
14		732 21 18-01		12	T2
15		506 92 21-01		3	T2
16		506 53 35-01		4	T2
17		544 06 80-03		1	T2
18		506 77 86-01		1	T2
19		734 11 74-41		3	T2
20		506 67 54-02		3	T2
21		544 06 49-01		3	T2
22		505 46 35-01		3	T2
23		506 67 54-02		3	T2
24		506 79 73-01		1	T2
25	506 79 73-01	506 79 71-01		1	T2
26	506 79 73-01	506 79 32-01		1	T2
27	506 79 73-01	734 11 64-41		1	T2
28	506 79 73-01	506 55 83-02		1	T2
29		506 91 87-02		1	T2
30		725 24 51-71		1	T2
31		732 21 18-01		1	T2
32		506 53 31-01		1	T2
33		544 06 81-01		1	T2
34		544 06 63-01		1	T2
35		544 40 05-01		2	T2
36		544 22 07-01		1	T1
37		544 22 59-01		1	T1
38		506 86 96-01		8	T1
39		506 81 38-01		2	T1
40		544 37 91-01		1	T1
41		506 96 37-01		1	T1
42		544 22 83-01		1	T1
43		725 24 61-51		8	T1
44		732 21 18-01		8	T1
45		544 22 69-01		1	T1
46		544 45 14-01		1	T1
47		544 45 15-01		1	T1
48		506 89 76-01		1	T1
49		731 23 20-51		1	T1
50		506 59 74-01		4	T1
51		732 21 18-01		4	T1
52		506 96 30-01		2	T1
53		535 46 41-01		4	T1
54		735 31 17-00		2	T1
55		506 78 97-01		1	T2
56		544 23 81-14		1	T2