

T25RS

Spare parts

Ersatzteile

Pièces détachées

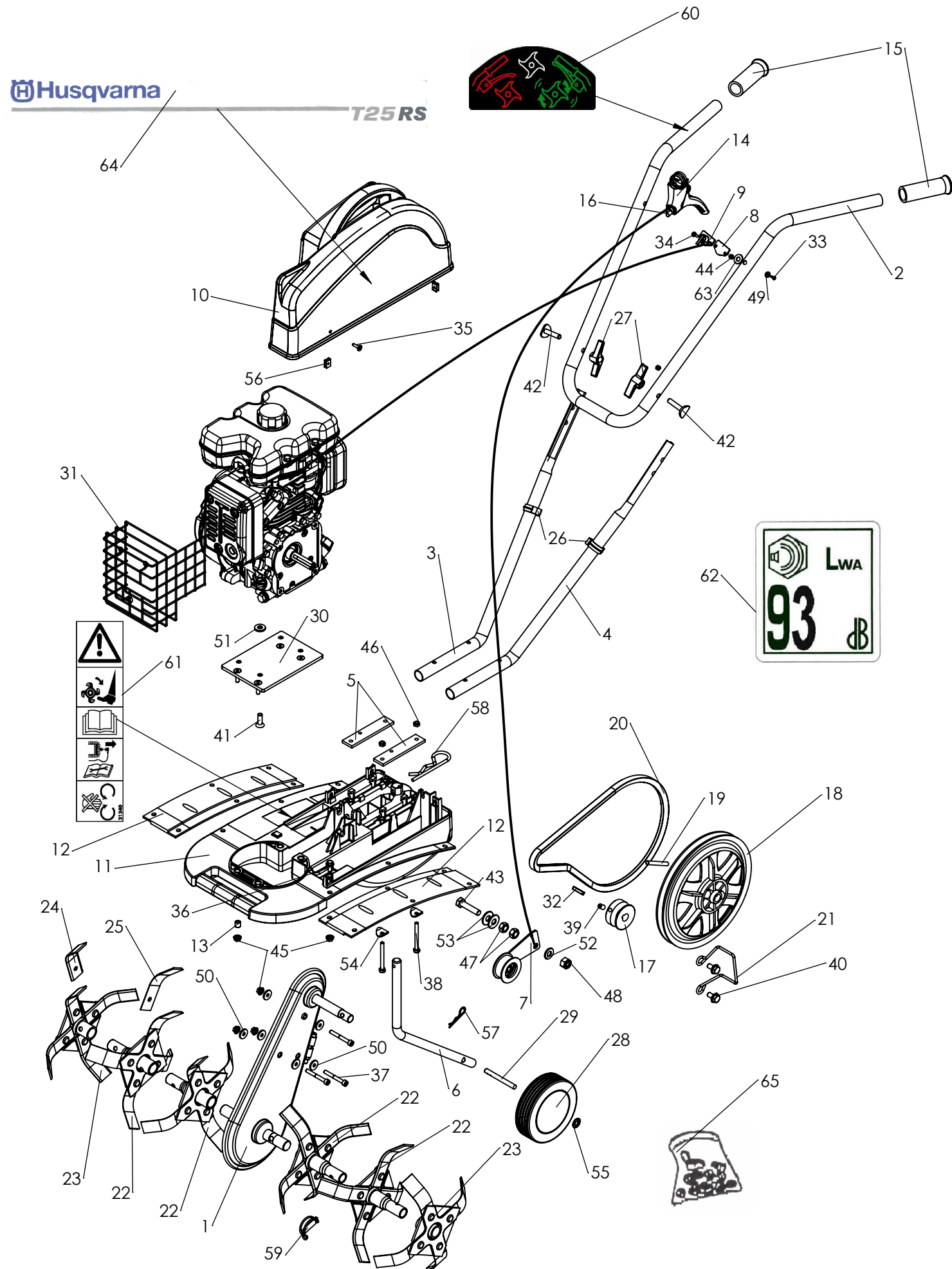
Reserve onderdelen

Repuestos

Reservdelar

REPAIR PARTS

TILLER - MODEL NO. T 25 RS , PRODUCT NO. 505 51 15-04



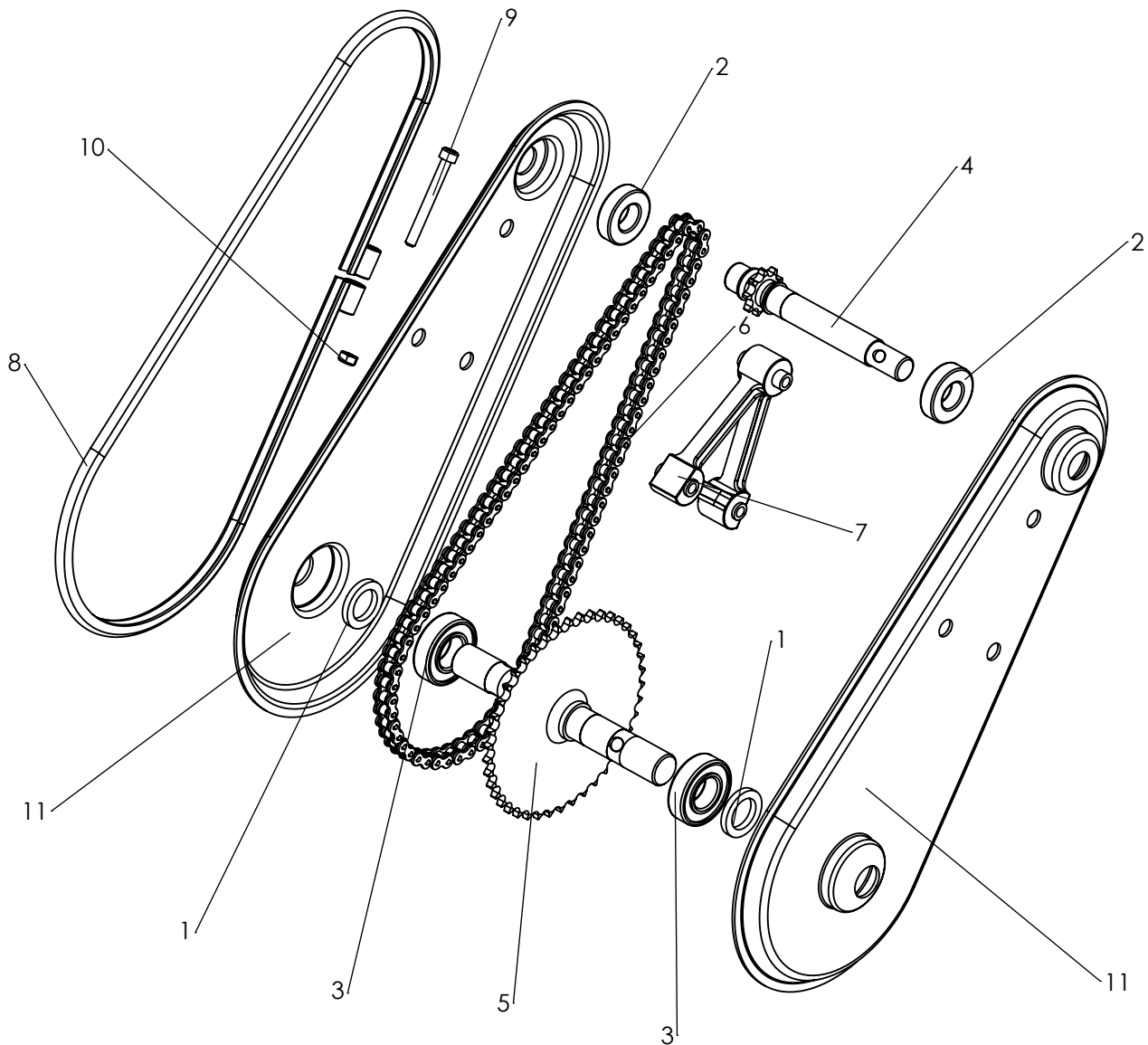
REPAIR PARTS

TILLER - MODEL NO. T 25 RS , PRODUCT NO. 505 51 15-04

KEY NO.	PART NO.	Número de pièce	DESCRIPTION	DESIGNATION	QTY QTE
1	531 00 84-31	6001010001	Complete casing, flanged (Black)	Carter complet à jonc (Noir)	1
2	531 00 84-32	6002010304	Black handelbars (top part)	Guidon noir (partie haute)	1
3	531 00 84-33	6002010302	Black handelbars (bottom right-hand part)	Guidon noir (partie droite basse)	1
4	531 00 84-34	6002010303	Black handelbars (bottom left-hand part)	Guidon noir (partie gauche basse)	1
5	531 00 84-40	6002010103	Handelbar fixing plate	Platine fixation guidon	2
6	531 00 84-37	6002010301	Black spur	Eperon noir	1
7	531 00 84-41	6002010102	Clutch lever	Levier embrayage	1
8	544 20 39-01	0304000070	Support switch Robin EH09	Supp switch Robin EH09	1
9	505 02 72-01	0330032004	Switch engine cut-off (EH09)	Switch arrêt moteur Robin (EH09)	1
10	531 00 84-44	0340060003	Orange RAL2009 belt cowl	Capot courroie orange RAL2009	1
11	531 00 84-45	0340060005	Chassis (Black)	Châssis (Noir)	1
12	531 00 84 46	0340060006	Black Guard	Protection noir	2
13	531 00 84-53	0302020014	Spacer 10 x 6.5 x 9.8	Entretoise 10 x 6.5 x 9.8	4
14	501 96 34-01	0307010026	Lever LAB N2 B01 Ø22 stroke 17.5	Levier LAB N2 B01 Ø22 course 17.5	1
15	544 20 66-01	0341000038	Hand side grip	Poignée Ø22x100	2
16	501 96 35-01	0308020044	Clutch cable	Câble embr Mécabèche	1
17	531 00 84-56	0306060003	Motor pulley gear (Shaft Ø15)	poulie moteur arbre Ø15	1
18	519 65 30-60	0341000007	Transmission pulley	Poulie transmission	1
19	519 65 30-67	0302010021	Pulley pin shaft	Axe fixation poulie	1
20	505 03 38-01	0306030044	Belt (EH 09)	Courroie (EH 09)	1
21	505 03 39-01	0305030011	Drive belt guide gear (EH 09)	Guide courroie EH09	1
22	531 00 84-58	0320010017	Rotating blade 30x3 Ø240	Fraise départ 30x3 Ø240	4
23	531 00 84-60	0320010018	Disk blade 30x3 Ø240	Fraise disque 30x3 Ø240	2
24	531 00 84-59	0001000291	Inside blade 30x3 D240	Couteau interieur 30x3 D240	1
25	531 00 85-63	0001000292	Outside blade 30x3 D240	Couteau extérieur 30x3, D240	1
26	519 00 64-17	0301000001	Collar	Collier serrage câble	2
27	531 00 84-62	0300800004	Black handlebar tightening lever	Poignée de serrage guidon noire	2
28	531 00 85-69	0309000010	Transport wheel Ø130	Roue Ø130 alés 8 Noir	1
29	531 00 85-62	0302010032	Axle of travelling wheel	Axe roue de transport	1
30	505 03 40-01	6002010309	Engine fixing plate (EH09)	Plaque support moteur EH09	1
31	505 03 41-01	0330032003	Exhaust grill (EH 09)	Grille echappement ROBIN EH 09	1
32	505 54 37-01	0301040011	Key 5 x 5 x 25	Clavette 5x5x25 BTS droits	1
33	501 99 14-01	0300080301	Screw TCB 3x10 Z	Vis TCB 3x10 Z DIN 7985	1
34	519 65 34-26	0300080401	Screw POZI 4x12 Z	Vis POZI 4x12 Z DIN 7985	2
35	519 65 34-26	0300080405	Screw 4.2x19	Vis Tôle 4.2x19	4
36	519 65 34-35	0300010609	Screw HM 6x16 z notched shoulder	Vis HM 6x16 z emb cr	6
37	519 65 30-10	0300020605	Screw CHC M6x50	Vis CHC M6x50	3
38	519 65 31-13	0300010606	Screw HM6x60z	Vis HM6x60z	4
39	728 69 23-00	0300040801	Screw ST HC M8x16	Vis ST HC M8x16	1
40	531 00 82-02	0300010815	Screw H M8x16 z notched shoulder	Vis HM 8x16 z emb cr	2
41	505 03 42-01	0300030801	Screw TF HC 8x25 Z	Vis TF HC 8x25 Z	4
42	531 00 84-73	0300090802	Screw M8x40 Z forged head bolt	VIS M8x40 Z tête emboutie	2
43	531 00 84-70	0300011005	Screw H M10x45 z	Vis H M10x45 z	1
44	544 20 79-01	0300210401	Blocking nut M 4 Z	Ecrou frein M 4 Z	2
45	519 65 34-32	0300260601	Nut H M6 z notched shoulder	Ecrou HM 6 z emb cr	13
46	732 26 16-01	0300210602	Blocking nut M 6 Z	Ecrou frein M 6 Z	4
47	519 65 34-56	0300201002	Nut HM 10z	Ecrou HM 10z	2
48	519 65 34-58	0300211001	Blocking nut M 10 Z	Ecrou frein M 10 Z	1
49	531 00 85-39	0300400301	Washer M 3.2x10x1 Z	Rondelle M 3.2x10x1 Z	1
50	531 00 83-90	0300410602	Washer 6.3x19x2.5 Z	Rondelle 6.3x19x2.5 Z	6
51	519 65 30-97	0300410901	Washer 9x20x3 Z	Rondelle 9x20x3 Z	4
52	734 11 72-01	0300401002	Washer M 10x22x2 Z	Rondelle M 10x22x2 Z	2
53	531 00 84-66	0300401001	Washer M 10x27x2 Z	Rondelle M 10x27x2 Z	2
54	531 00 84-65	0300410601	'6' shaped washer Ø22mm	Rondelle spéciale 6 forme Ø22	4
55	519 00 28-60	0300460801	Starlock washer Ø8	Rondelle Starlock Ø8	1
56	519 65 34-25	0301050001	Clips 4.2	Clips 4.2	4
57	519 65 12-20	0301030001	Clip pin beta 2 Z	Goupille Béta 2 Z	1
58	531 00 84-67	0301030004	Clip pin beta 5 Z	Goupille béta 5 Z	1
59	519 65 33-60	0301010003	Clip pin Ø8x32	Goupille clip Ø8x32	6
60	519 65 30-85	0503000029	Label "clutch lever"	Etiqu. "Embrayage"	1
61	531 00 85-40	0503000036	Safety label	Etiqu. "sécurité"	1
62	501 96 25-01	0503000062	level noise label	Etiquette niveau de bruit	1
63	544 20 81-01	0300400802	Washer M8x18x1.5 Z	Rondelle M8x18x1.5 Z	1
64	505 03 43-01	0503060010	Label "T25 RS"	Etiquette "T25 RS"	1
65	501 96 36-01	0300000009	Bag of screws mécabèche	Pochette visserie mécabèche	1

REPAIR PARTS

TILLER - MODEL NO. T 25 RS, PRODUCT NO. 505 51 15-04



KEY NO.	PART NO.	DESCRIPTION	DESIGNATION	QTY QTE
1	531 00 84-49	Joint	Joint feutre carter	2
2	531 00 84-47	Ball bearing 6003 2RS	Roulement 6003 2RS	2
3	519 65 31-90	Ball bearing 6004 2 RS	Roulement 6004 2 RS	2
4	531 00 84-52	Primary shaft	Arbre primaire Mécabeche	1
5	531 00 84-48	Blade shaft	Arbre de travail 42 dts x9.52	1
6	531 00 84-51	Chain 9.52 (84 links)	Chaîne 9.52 (84 maillons)	1
7	531 00 84-50	Plastic spacer	Entretoise plastique	1
8	531 00 84-35	Flange (black)	Jonc noir	1
9	501 96 38-01	Screw CHC M6x55 z	Vis CHC M6x55 z	1
10	732 26 16-01	Blocking nut M 6 Z	Ecrou frein M 6 Z	1
11	531 00 84-36	Transmission housing (Black)	Joue carter (noir)	2