

# Kohler 17 hp

**Spare parts**

**Ersatzteile**

**Pièces détachées**

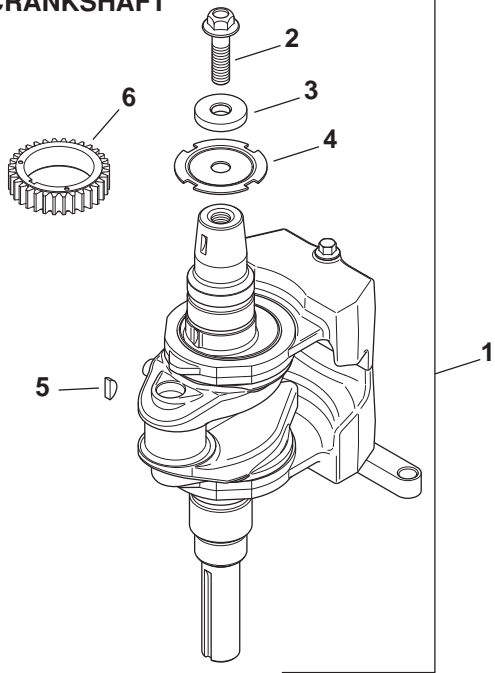
**Reserve onderdelen**

**Repuestos**

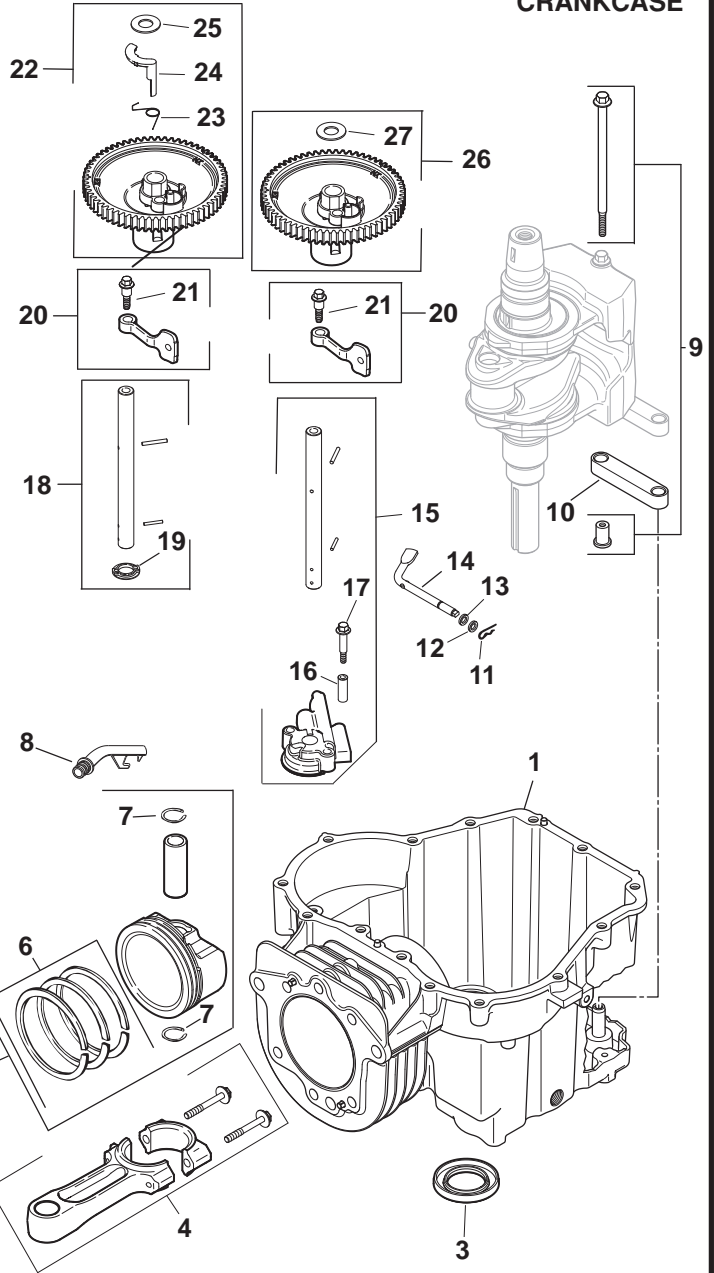
**Reservdelar**

# KOHLER ENGINE - - MODEL NUMBER SV530-0030

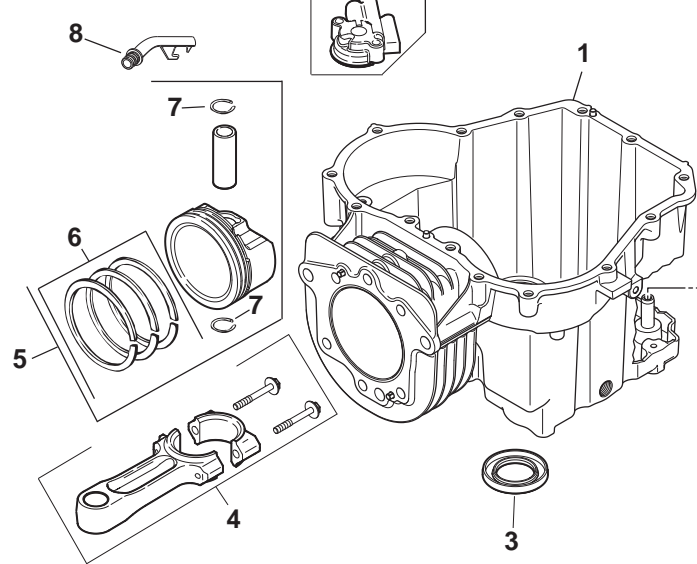
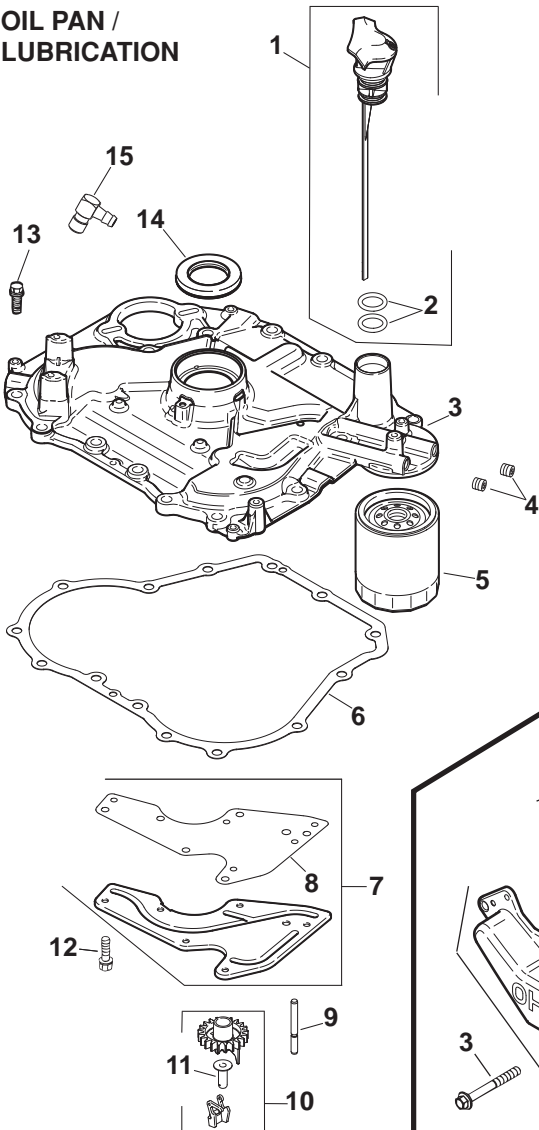
## CRANKSHAFT



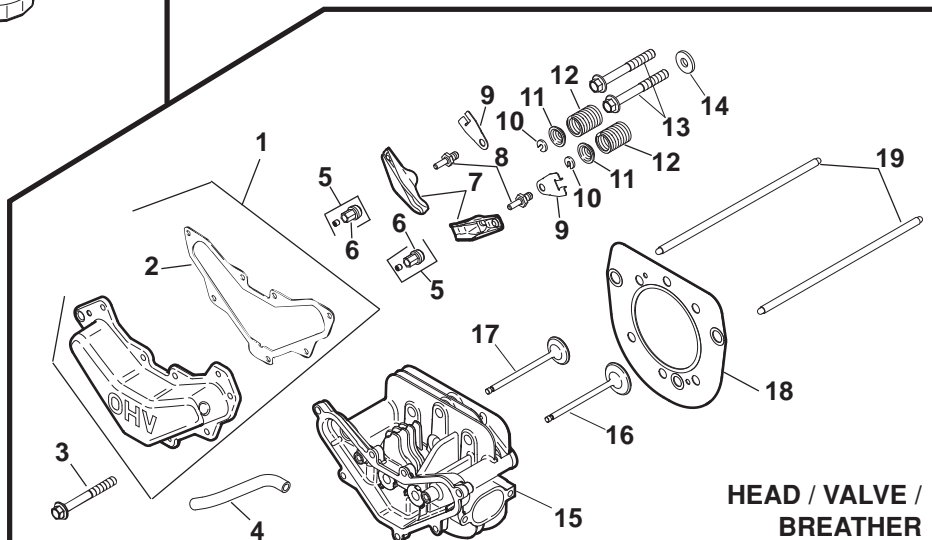
## CRANKCASE



## OIL PAN / LUBRICATION



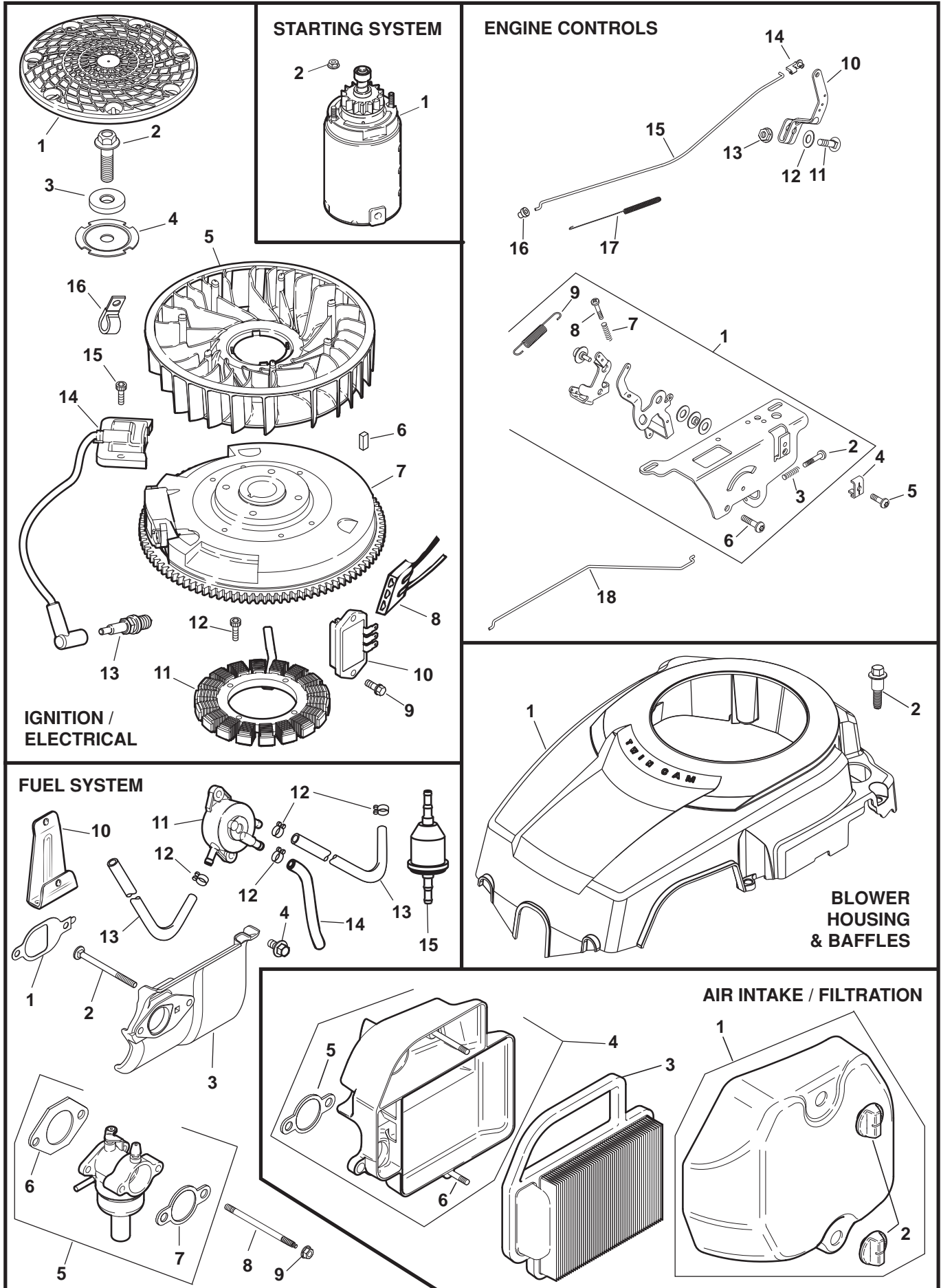
## HEAD / VALVE / BREATHER



# KOHLER ENGINE - - MODEL NUMBER SV530-0030

KEY NO.	PART NO.	DESCRIPTION	KEY NO.	PART NO.	DESCRIPTION
<b>CRANKSHAFT:</b>			<b>OIL PAN / LUBRICATION:</b>		
1	532 02 95-52	Kit, Crankshaft (Includes Key Numbers 2 thru 4)	1	510 44 22-01	Dipstick Assembly, Standard Yellow (Includes Key Number 2)
2	504 57 86-01	Screw, Hex Flange	2	531 02 95-41	O-Ring
3	504 58 05-01	Washer, Flat	3	504 57 73-01	Kit, Plate, Closure Bearing (Includes Key Numbers 6 and 15)
4	544 93 68-01	Plate, Fan Mounting	4	531 02 95-43	Plug, Countersunk, Pipe, 1/8"
5	531 02 95-11	Key, 3/16" x 5/8"	5	531 02 95-03	Filter, Oil
6	531 02 95-12	Gear, Crankshaft	6	531 02 95-44	Gasket, Closure Plate
<b>CRANKCASE:</b>			7	531 02 95-45	Kit, Oil Passage Cover (Includes Key Number 8)
1	- - -	Crankcase (Use Short Block)	8	531 02 95-46	Gasket, Oil Passage
3	531 02 95-14	Seal, Oil	9	531 02 95-47	Shaft, Governor Cross
4	531 02 95-16	Rod, Connecting	10	531 02 95-48	Kit, Governor Gear Assembly (Includes Key Number 11)
5	531 02 95-77	Kit, Piston with Ring Set (89mm) (Includes Key Numbers 6 and 7)	11	531 02 95-49	Pin, Governor Regulating
6	531 02 96-86	Ring Set (89mm)	12	531 02 95-50	Screw, Flanged, M5 x 0.8 x 13
7	531 02 95-19	Retainer, Piston Pin	13	504 58 04-01	Hex Flange Screw, 1/2 Dog Point
8	531 02 98-85	Tube, Drainback	14	531 02 95-14	Seal, Oil
9	531 02 95-21	Kit, Locating Pin	15	531 02 98-73	Connector, 90° Hose
10	504 57 79-01	Linkage, Balance Weight	<b>HEAD / VALVE / BREATHER:</b>		
11	531 02 95-23	Clip, Hitch Pin	1	531 02 98-78	Kit, Valve Cover (Includes Key Number 2)
12	531 02 95-24	Washer, Flat, 6mm	2	531 02 95-54	Gasket, Valve Cover
13	531 02 95-39	Washer, Flat, 1/4"	3	531 02 95-55	Screw, Flanged M6 x 1.0 x 20
14	531 02 95-25	Shaft, Governor Cross	4	531 02 95-56	Hose, Breather
15	531 02 98-39	Kit, Oil Pump Assembly (Includes Key Numbers 16 and 17)	5	531 02 95-57	Kit, Pivot, Rocker Arm
16	531 02 95-27	Spacer, Oil Pump Screw	6	531 02 95-58	Screw, Set
17	531 02 95-28	Screw, Oil Pump	7	531 02 95-59	Arm, Rocker
18	531 02 98-77	Kit, Camshaft Control, Exhaust (Includes Key Number 19)	8	510 43 90-01	Stud, Rocker
19	531 02 95-32	Washer, Thrust	9	531 02 95-61	Plate, Push Rod Guide
20	531 02 95-33	Kit, Cam Lever Assembly (Includes Key Number 21)	10	531 02 95-62	Lock, Retainer
21	531 02 95-34	Screw, Shoulder, M6 x 1 x 26	11	531 02 95-63	Cap, Valve Spring
22	531 02 95-35	Kit, Camshaft Assembly (Includes Key Numbers 23 thru 25)	12	531 02 95-64	Spring, Valve
23	531 02 95-34	Spring, ACR	13	531 02 95-65	Screw, Flanged, M10 x 1.5 x 80
24	510 43 87-01	Weight, ACR	14	531 02 95-74	Washer, Flat, 13/32"
25	531 02 95-38	Washer, Thrust, ACR	15	531 02 95-67	Cylinder Head Assembly
26	531 02 95-35	Kit, Camshaft Assembly (Includes Key Number 27)	16	531 02 95-68	Valve, Exhaust
27	531 02 95-38	Washer, Thrust, ACR	17	531 02 95-69	Valve, Intake
			18	531 02 96-90	Kit, Cylinder Head Gasket (Includes Key Numbers 2, 13, 14, Carburetor Gasket #531 02 95-99 & Air Cleaner Gasket #531 02 96-00)
			19	531 02 95-71	Rod, Push

# KOHLER ENGINE - - MODEL NUMBER SV530-0030



# KOHLER ENGINE - - MODEL NUMBER SV530-0030

KEY NO.	PART NO.	DESCRIPTION	KEY NO.	PART NO.	DESCRIPTION
<b>IGNITION / ELECTRICAL:</b>			<b>FUEL SYSTEM:</b>		
1	531 02 95-72	Screen, Grass	1	504 57 75-01	Gasket, Heat Deflector
2	504 57 86-01	Screw, Hex, Flanged	2	504 57 77-01	Stud, Carburetor
3	504 58 05-01	Washer, Flat	3	532 02 95-96	Kit, Heat Deflector
4	544 93 68-01	Plate, Fan Mounting	4	531 02 95-97	Screw, Flanged, M6 x 1.0 x 20
5	531 02 95-76	Fan	5	531 02 97-34	Kit, Carburetor
6	510 43 92-01	Key, Straight, Flywheel			(Includes Key Number 6 and 7)
7	510 43 91-01	Flywheel	6	531 02 95-99	Gasket, Carburetor
8	531 02 95-83	Connector (3 Contact)	7	531 02 96-00	Gasket, Air Cleaner Base
9	531 02 95-84	Screw, Flanged, M5 x 0.8 x 20	8	531 02 96-01	Stud, M6 x 1.0 x 100
10	504 57 71-01	Regulator / Rectifier	9	531 02 96-02	Nut, Flanged, M6 x 1.0
11	531 02 95-82	Kit, 15 Amp, Stator (Includes Terminal #544 93 75-01)	10	510 43 93-01	Bracket, Fuel Pump
12	531 02 95-81	Screw, Torx Head, Drive Fastener	11	531 02 97-87	Pump, Fuel
13	531 02 99-75	Spark Plug, RFI	12	531 02 96-04	Clamp, Hose, 1/2"
14	531 02 95-87	Module, Ignition (CDI, Fixed)	13	531 02 99-87	Line, Fuel, 24" (Cut To Length)
15	531 02 95-79	Screw, Socket Head, M5 x 0.8 x 25	14	510 43 94-01	Line, Fuel
16	504 57 78-01	Clip, Wire	15	531 02 98-62	Filter, Fuel
Not Illustrated			Not Illustrated		
--	532 02 95-88	Harness, Wiring	--	544 93 71-01	Tie
--	544 93 75-01	Terminal	--	531 02 96-06	Lockwasher, Internal Tooth, 1/4"
<b>BLOWER HOUSING &amp; BAFFLES:</b>			--	531 02 97-83	Clip, Cable
1	531 02 95-89	Kit, Blower Housing	--	510 43 99-01	Screw, Threaded, M4 x 0.7 x 10
2	531 02 95-34	Screw, Shoulder, M6 x 1 x 26	--	510 44 01-01	Kit, Repair, Choke
Not Illustrated			--	531 02 96-07	Kit, Repair, Float
--	531 02 99-27	Nameplate, Service	--	531 02 96-08	Kit, Repair, Carburetor
<b>STARTING SYSTEM:</b>			--	531 02 96-09	Kit, Repair, Solenoid
1	531 02 95-93	Starter Assembly	--	531 02 96-10	Kit, Repair, Bowl Replacement
2	531 02 95-94	Nut, Free Spin, Flanged, #10-24	--	510 44 04-01	Kit, High Altitude (5,000 Feet)
Not Illustrated			--	544 36 89-01	Kit, High Altitude (10,000 Feet)
--	504 57 72-01	Brush, Kit	<b>ENGINE CONTROLS:</b>		
--	504 57 80-01	Bolt, Thru	1	531 02 98-79	Kit, Speed Control Assembly (Includes Key Numbers 2, 3, 6-9)
--	504 57 82-01	Cap, Drive End (J.E.)	2	531 02 96-18	Screw, Phillips, M4 x 0.7 x 25
--	504 57 85-01	Kit, Drive (J.E.)	3	531 02 96-17	Spring, Speed Control (Short)
<b>AIR INTAKE / FILTRATION:</b>			4	531 02 96-13	Clamp, Cable
1	531 02 97-25	Kit, Air Cleaner Cover (Includes Key Number 2)	5	531 02 96-14	Screw, M5 x 0.8 x 16
2	531 02 98-38	Knob, Cover	6	531 02 96-15	Screw, M6 x 1.0 x 20
3	531 02 95-01	Element, Air Cleaner	7	531 02 96-17	Spring, Speed Control (Short)
4	531 02 96-29	Kit, Air Cleaner Base (Includes Key Numbers 5 and 6)	8	531 02 96-18	Screw, Phillips, M4 x 0.7 x 25
5	531 02 96-00	Gasket, Air Cleaner Base	9	531 02 96-23	Spring, Governor
6	504 57 76-01	Stud, Air Cleaner Base	10	531 02 96-19	Lever, Governor
<b>DECALS:</b>			11	531 02 96-20	Bolt, Round Head, Square Neck 1/4-20 x 1"
--	531 02 98-42	Decal, Clear Laminate	12	531 02 96-06	Lockwasher, Internal Tooth, 1/4"
--	531 02 97-57	Decal, 17 HP	13	531 02 96-22	Nut, Hex, Flanged, 1/4-20
<b>SHORTBLOCK:</b>			14	531 02 96-24	Bushing, Throttle Linkage
--	522 90 57-01	SV530/540 Short Block	15	531 02 96-25	Linkage, Throttle
--	531 02 96-34	Gasket Set	16	531 02 96-26	Bushing, Linkage Retaining
			17	531 02 98-96	Spring, Linkage
			18	531 02 96-16	Linkage, Choke