

# Kohler 15 hp

**Spare parts**

**Ersatzteile**

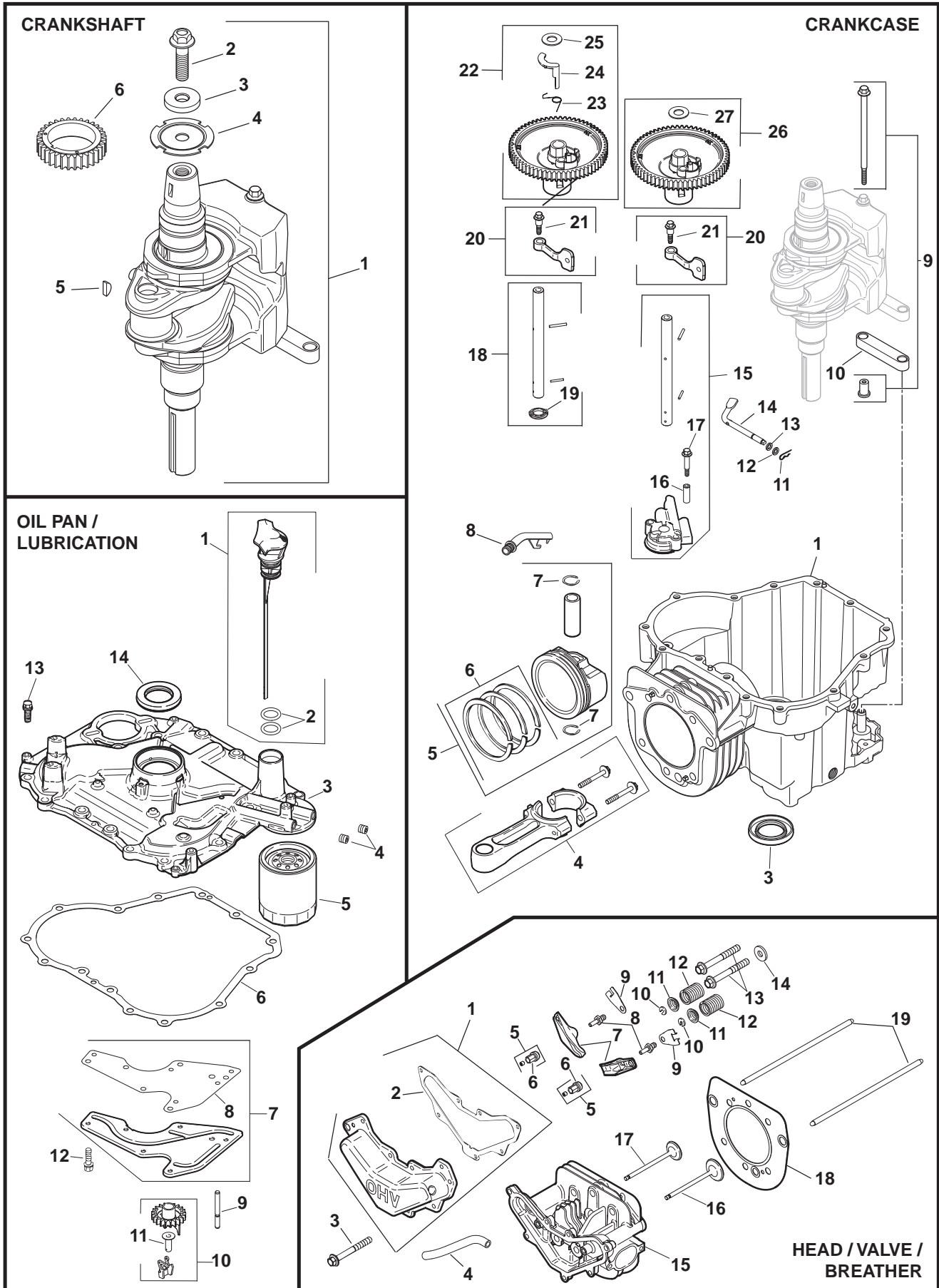
**Pièces détachées**

**Reserve onderdelen**

**Repuestos**

**Reservdelar**

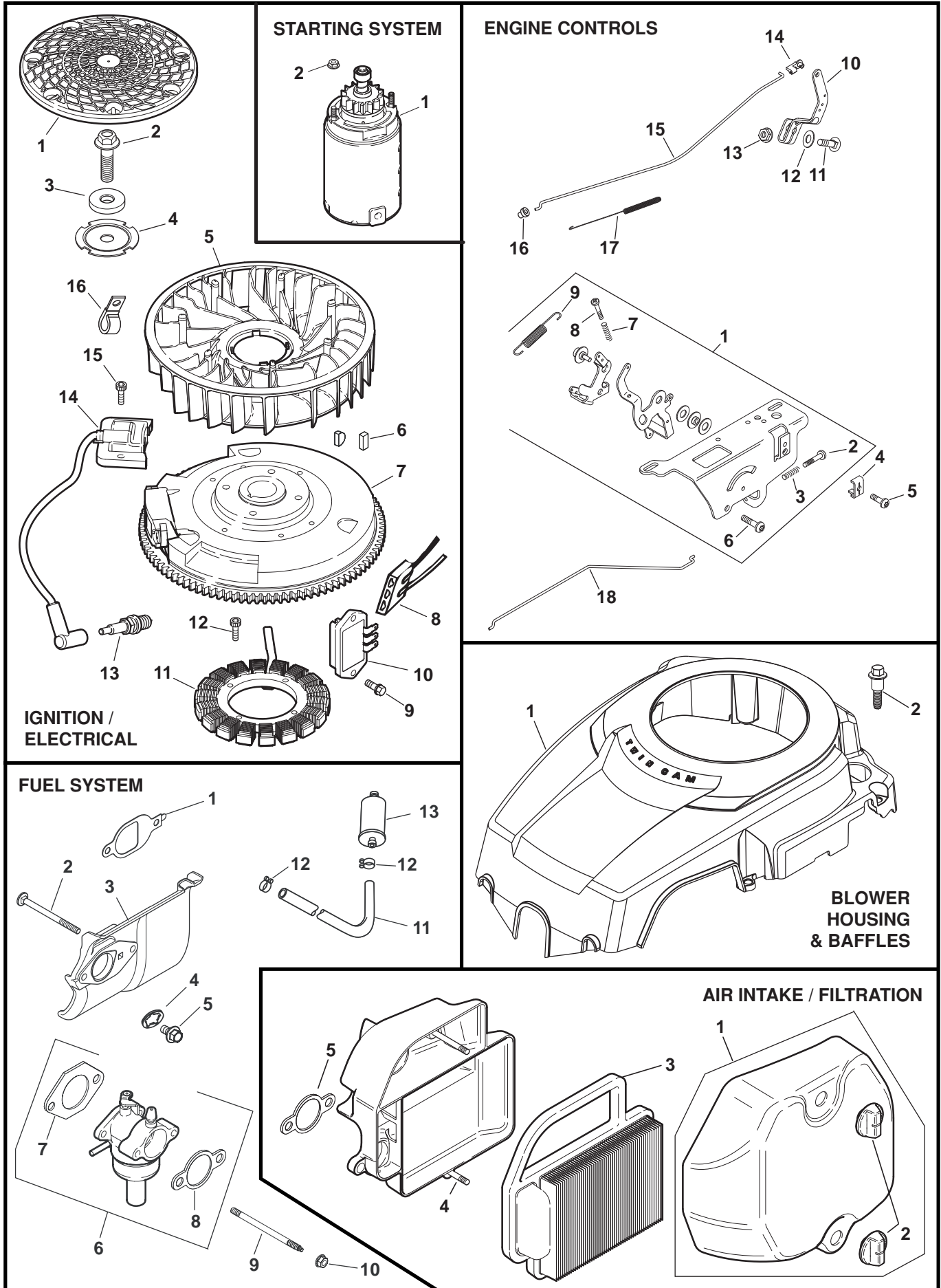
# KOHLER ENGINE - - MODEL NUMBER SV470-0119



# KOHLER ENGINE - - MODEL NUMBER SV470-0119

KEY NO.	PART NO.	DESCRIPTION	KEY NO.	PART NO.	DESCRIPTION
<b>CRANKSHAFT</b>			<b>OIL PAN / LUBRICATION</b>		
1	532 02 95-52	Kit, Crankshaft (Includes Key Numbers 2 thru 4)	1	531 02 95-40	Kit, Dipstick Blade (Yellow) (Includes Key Number 2)
2	504 57 86-01	Screw, Hex Flange	2	531 02 95-41	O-Ring
3	504 58 05-01	Washer, Flat	3	531 02 95-42	Kit, Closure Plate Assembly (Includes Key No. 4, 7 thru 12 & 14)
4	544 93 68-01	Plate, Fan Mounting	4	531 02 95-43	Plug, Pipe, Countersunk, 1/8"
5	531 02 95-11	Key, 3/16" x 5/8"	5	531 02 95-03	Filter, Oil
6	531 02 95-12	Gear, Crankshaft	6	531 02 95-44	Gasket, Closure Plate
<b>CRANKCASE</b>			7	531 02 95-45	Kit, Oil Passage Cover (Includes Key Number 8)
1	- - -	Crankcase (Use Short Block)	8	531 02 95-46	Gasket, Oil Passage
3	531 02 95-14	Seal, Oil	9	531 02 95-47	Shaft, Governor Cross
4	531 02 95-16	Rod, Connecting	10	531 02 95-48	Kit, Governor Gear Assembly (Includes Key Number 11)
5	531 02 95-77	Kit, Piston, with Ring Set (89mm) (Includes Key Numbers 6 and 7)	11	531 02 95-49	Pin, Governor Regulating
6	531 02 96-86	Ring Set (89mm)	12	531 02 95-50	Screw, Flanged, M5 x 0.8 x 13
7	531 02 95-19	Retainer, Piston Pin	13	531 02 95-51	Screw, Hex Flange, Dog Point, 1/2"
8	531 02 98-85	Tube, Drainback	14	531 02 95-14	Seal, Oil
9	531 02 95-21	Kit, Locating Pin	<b>HEAD / VALVE / BREATHER</b>		
10	504 57 79-01	Linkage, Balance Weight	1	531 02 98-78	Kit, Valve Cover (Includes Key Number 2)
11	531 02 95-23	Clip, Hitch Pin	2	531 02 95-54	Gasket, Valve Cover
12	531 02 95-24	Washer, Flat, 6mm	3	531 02 95-55	Screw, Flanged, M6 x 1.0 x 20
13	531 02 95-39	Washer, Flat, 1/4"	4	531 02 95-56	Hose, Breather
14	531 02 95-25	Shaft, Governor Cross	5	531 02 95-57	Pivot, Rocker Arm
15	531 02 98-39	Kit, Oil Pump Assembly (Includes Key Numbers 16 and 17)	6	531 02 95-58	Screw, Set
16	531 02 95-27	Spacer, Oil Pump Screw	7	531 02 95-59	Arm, Rocker
17	531 02 95-28	Screw, Oil Pump	8	531 02 95-60	Stud, Rocker
18	531 02 98-77	Kit, Camshaft (Includes Key No. 19)	9	531 02 95-61	Plate, Push Rod Guide
19	531 02 95-32	Washer, Thrust	10	531 02 95-62	Lock, Retainer
20	531 02 95-33	Kit, Cam Lever Assembly (Includes Key Number 21)	11	531 02 95-63	Cap, Valve Spring
21	531 02 95-34	Screw, Shoulder, M6 x 1 x 26	12	531 02 95-64	Spring, Valve
22	531 02 95-35	Kit, Camshaft Assembly (Includes Key Numbers 23 thru 25)	13	531 02 95-65	Screw, Flanged, M10 x 1.5 x 80
23	531 02 95-36	Spring, ACR	14	531 02 95-66	Washer, Flat, 13/32"
24	531 02 95-37	Weight, ACR	15	531 02 95-67	Cylinder Head Assembly
25	531 02 95-38	Washer, Thrust, ACR	16	531 02 95-68	Valve, Exhaust
26	531 02 95-35	Kit, Camshaft Assembly (Includes Key Number 27)	17	531 02 95-69	Valve, Intake
27	531 02 95-38	Washer, Thrust, ACR	18	531 02 96-90	Kit, Cylinder Head Gasket (Includes Key Numbers 2, 13, 14 and Air Cleaner Base Gasket)
			19	531 02 95-71	Rod, Push

# KOHLER ENGINE - - MODEL NUMBER SV470-0119



# KOHLER ENGINE - - MODEL NUMBER SV470-0119

KEY NO.	PART NO.	DESCRIPTION	KEY NO.	PART NO.	DESCRIPTION
<b>IGNITION / ELECTRICAL</b>			<b>FUEL SYSTEM</b>		
1	531 02 95-72	Screen, Grass	1	504 57 75-01	Gasket, Heat Deflector
2	504 57 86-01	Screw, Hex Flange	2	504 57 77-01	Stud, Carburetor
3	504 58 05-01	Washer, Flat	3	532 02 95-96	Kit, Heat Deflector (Includes Key Numbers 1, 2 and 8)
4	544 93 68-01	Plate, Fan Mounting	4	531 02 96-06	Washer, Lock, Internal Tooth, 1/4"
5	531 02 95-76	Fan	5	531 02 95-97	Screw, Flanged, M6 x 1.0 x 20
6	531 02 95-11	Key, 3/16" x 5/8"	6	531 02 99-41	Kit, Carburetor, with Gaskets (Includes Key Numbers 7 and 8)
7	531 02 95-78	Flywheel Assembly	7	531 02 95-99	Gasket, Carburetor
8	531 02 95-83	Connector, 3 Contact	8	531 02 96-00	Gasket, Air Cleaner Base
9	531 02 95-84	Screw, Flanged, M5 x 0.8 x 20	9	531 02 96-01	Stud, M6 x 1.0 x 100
10	504 57 71-01	Regulator / Rectifier	10	531 02 96-02	Nut, Flanged, M6 x 1.0
11	531 02 95-82	Kit, 15 Amp Stator (Includes Terminal)	11	531 02 99-87	Line, Fuel, 24" (Cut To Length)
12	531 02 98-87	Screw, Torx Head, Drive Fastener	12	531 02 96-04	Clamp, Spring, Hose, 1/2"
13	531 02 99-75	Spark Plug, RFI	13	531 02 95-02	Filter, Fuel
14	531 02 95-87	Module, Ignition (CDI Fixed)	Not Illustrated		
15	531 02 95-79	Screw, Socket Head, M5 x 0.8 x 25	--	544 93 71-01	Tie
16	504 57 78-01	Clip, Wire	--	531 02 96-07	Kit, Repair, Float
Not Illustrated			--	531 02 96-08	Kit, Repair, Carburetor
--	532 02 95-88	Harness, Wiring	--	531 02 96-09	Kit, Repair, Solenoid
--	544 93 75-01	Terminal	--	531 02 96-10	Kit, Repair, Bowl Replacement
<b>BLOWER HOUSING &amp; BAFFLES</b>			--	531 02 99-98	Kit, High Altitude (5000 Feet)
1	531 02 95-89	Kit, Blower Housing	--	544 36 89-01	Kit, High Altitude (10,000 Feet)
2	531 02 95-34	Screw, Shoulder, M6 x 1 x 26	<b>ENGINE CONTROLS</b>		
Not Illustrated			1	531 02 98-79	Kit, Speed Control Assembly (Includes Key Numbers 2, 3, 6-9)
--	531 02 99-27	Nameplate, Service	2	531 02 96-18	Screw, Phillips, M4 x 0.7 x 25
<b>STARTER SYSTEM</b>				531 02 98-94	Screw, Phillips, M4 x 0.7 x 38
1	531 02 95-93	Starter Assembly	3	531 02 96-17	Spring, Speed Control (Short)
2	531 02 95-94	Nut, Free Spinning, Flanged, #10-24		531 02 98-95	Spring, Speed Control (Long)
Not Illustrated			4	531 02 96-13	Clamp, Cable
--	504 57 72-01	Brush, Kit	5	531 02 96-14	Screw, Threaded, M5 x 0.8 x 16
--	504 57 80-01	Bolt, Thru	6	531 02 96-15	Screw, Socket Head, M6 x 1.0 x 20
--	504 57 82-01	Cap, Drive End (J.E.)	7	531 02 96-17	Spring, Speed Control (Short)
--	504 57 85-01	Kit, Drive (J.E.)	8	531 02 96-18	Screw, Phillips, M4 x 0.7 x 25
<b>AIR INTAKE / FILTRATION</b>			9	531 02 96-23	Spring, Governor
1	531 02 97-25	Kit, Air Cleaner Cover	10	531 02 96-19	Lever, Governor
2	531 02 98-38	Knob, Cover	11	531 02 96-20	Bolt, Round Head, Square Neck, 1/4-20 x 1"
3	531 02 95-01	Element, Air Cleaner	12	531 02 96-06	Washer, Lock, Internal Tooth, 1/4"
4	504 57 76-01	Stud, Air Cleaner Base	13	531 02 96-22	Nut, Hex, Flanged, 1/4-20
5	531 02 96-00	Gasket, Air Cleaner Base	14	531 02 96-24	Bushing, Throttle Linkage
<b>DECALS</b>			15	531 02 96-25	Linkage, Throttle
1	531 02 98-42	Decal, Clear Laminate	16	531 02 96-26	Bushing, Linkage Retaining
2	531 02 95-92	Decal, 15 HP	17	531 02 98-96	Spring, Linkage
<b>SHORTBLOCK</b>			18	531 02 96-16	Linkage, Choke
--	522 90 59-01	SV470/480 Short Block	<b>Not Illustrated</b>		
Not Illustrated			--	531 02 96-34	Kit, Gasket Set