

Rotary Broom

Spare parts

Ersatzteile

Pièces détachées

Reserve onderdelen

Repuestos

Reservdelar

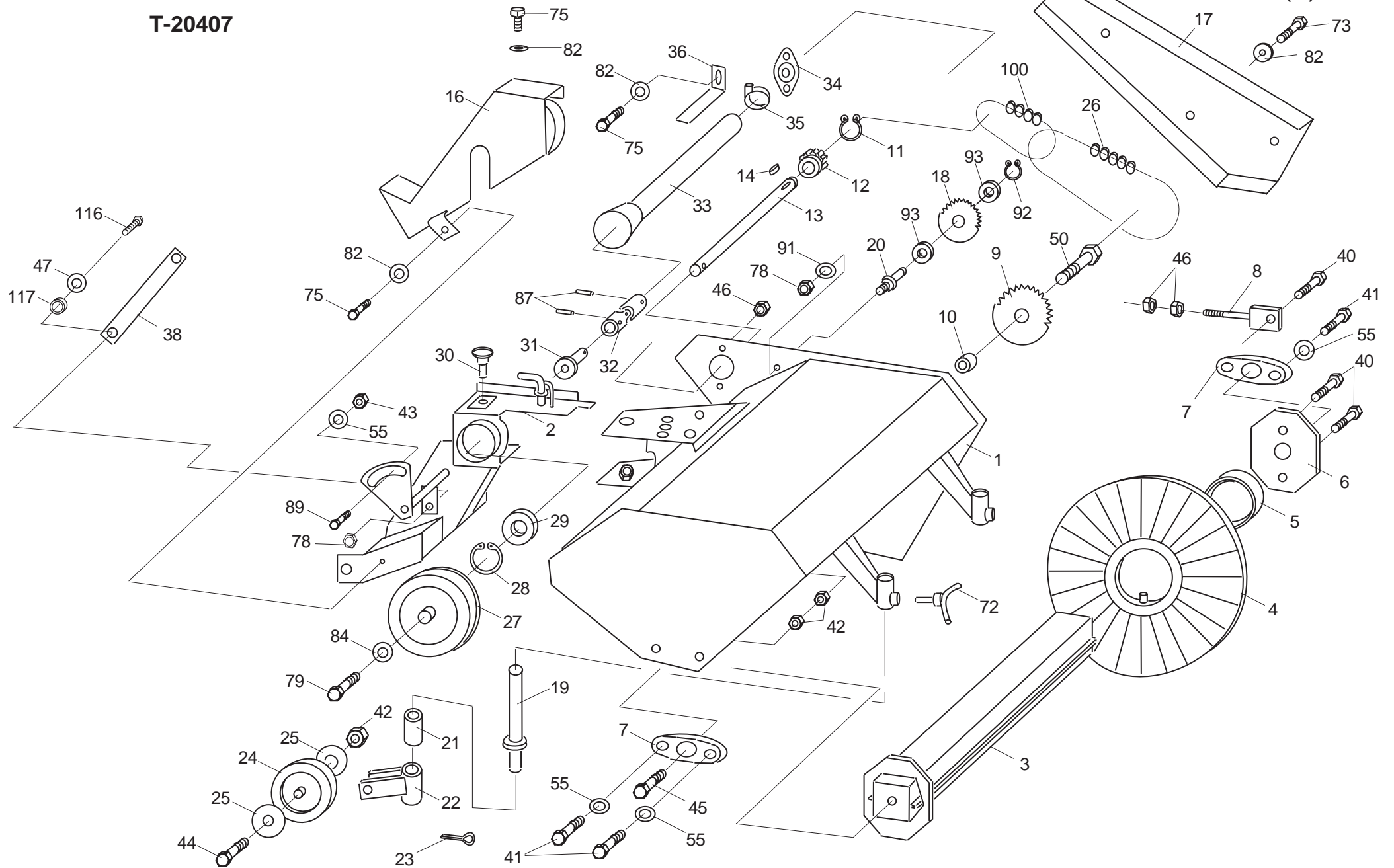
Pos	Part number	Part name	Qty	Pos	Part number	Part name	Qty
1	531 02 11-16	Frame	1	44	531 02 11-31	Screw	2
2	535 46 66-48	Weldment	1	45	531 00 51-87	Screw, Special	1
3	531 00 51-52	Roller Shaft	1	46	535 46 66-40	Screw	2
4	531 00 51-53	Brush Ring	26	47	531 02 12-55	Washer	3
5	531 00 51-54	Collar, Plastic	25	48	531 00 52-80	Belt Tightener	1
6	531 00 51-55	Flange	1	49	531 00 52-03	Spring	1
7	531 00 51-08	Bearing, Flange	2	50	531 02 11-33	Screw	1
8	531 00 51-57	Chain Tightener	1	51	531 02 11-34	Pin	2
9	531 00 51-58	Chain Wheel	1	52	531 00 51-43	Pin, Spring	3
10	531 02 11-18	Collar	1	53	531 02 11-35	Collar	1
11	531 02 11-51	Circlip	1	54	531 02 11-36	Collar	1
12	531 00 51-60	Chain Wheel	1	55	531 02 11-37	Washer	6
13	531 00 51-61	Drive Shaft	1	56	531 00 52-61	Pulley	2
14	531 00 52-20	Key	1	57	531 00 51-97	Collar	3
15	535 46 66-56	Frame	1	58	531 02 11-38	Bearing	8
16	531 02 11-20	Belt Guard	1	59	531 00 51-98	Circlip	4
17	531 02 11-21	Chain Guard	1	60	531 00 52-89	Collar	1
18	531 02 11-22	Chain Wheel	1	61	531 00 52-90	Collar	1
19	531 00 51-67	Support Shaft, Wheel	2	62	531 00 52-83	Support	1
20	531 02 11-23	Screw, Special	1	63	531 00 52-85	Guide, Belt	2
21	531 00 51-69	Bushing, Plastic	2	64	531 00 52-86	Collar	2
22	531 00 51-70	Support, Wheel	2	65	531 02 11-39	Pulley	1
23	531 00 51-71	Pin, Split	2	66	531 02 11-40	Screw	1
24	531 00 51-72	Support Wheel	2	67	531 00 52-65	Collar	1
25	531 00 51-73	Guard, Support Wheel	4	68	535 46 66-60	Weldment, Lift	1
26	531 02 11-24	Drive Chain	1	69	531 02 11-42	Nut	1
27	531 00 51-75	Pulley	1	70	535 46 66-30	V-Belt	1
28	531 00 51-76	Circlip	1	71	531 00 51-41	Grip	1
29	531 00 51-12	Bearing	1	72	531 00 52-12	Screw	2
30	531 00 51-77	Screw	2	73	531 02 11-44	Screw	3
31	531 00 51-78	Pin	1	74	531 02 11-45	Washer	2
32	531 00 51-79	Universal Joint	1	75	531 02 11-46	Screw	4
33	531 00 51-80	Guard, Drive Shaft	1	76	531 00 52-91	Screw, Lock	1
34	531 00 51-81	Bearing	1	77	531 02 11-47	Washer	2
35	531 00 51-82	Clamp	1	78	531 02 11-48	Nut, Lock	5
36	531 00 51-83	Support	1	79	531 02 11-49	Screw	1
38	535 46 66-59	Weldment, Lift	1	80	535 46 66-34	Mounting frame	1
40	531 02 11-27	Screw	3	81	535 46 66-33	Mounting frame	1
41	531 02 11-28	Screw	5	82	531 02 11-84	Washer	13
42	531 02 11-29	Nut	6				
43	531 02 11-30	Nut, Lock	10	84	531 02 11-85	Washer	1

Pos	Part number	Part name	Qty	Pos	Part number	Part name	Qty
85	531 02 12-19	Nut, Lock	16				
87	531 00 52-16	Pin, Spring	2				
89	531 02 11-74	Screw	1				
91	531 02 11-86	Washer	1				
92	531 02 11-87	Circlip	1				
93	531 02 11-88	Bearing	2				
94	531 00 52-21	Shaft	1				
95	531 00 52-27	Rubber	1				
96	531 00 52-29	Plate	1				
97	531 00 52-26	Frame	1				
98	531 00 52-28	Screw	6				
99	531 00 51-66	Pulley	1				
100	531 02 11-90	Drive Chain	1				
101	531 02 12-33	Decal	1				
102	531 02 12-34	Decal, Street Brush	1				
104	535 46 66-62	Mounting Plate	1				
106	531 02 11-72	Screw (carriage bolt	2				
107	531 02 12-68	Spring	1				
108	531 02 12-70	Kit for cable clutch	0				
109	535 41 50-45	Screw	2				
110	535 46 66-37	Mounting plate	1				
111	531 02 11-99	Screw	2				
112	535 46 66-61	Mounting plate	2				
113	535 41 50-43	Screw, Lock	2				
114	531 02 12-59	Screw	2				
115	535 46 66-63	Collar	2				
116	531 02 12-52	Screw, Lock	1				
117	535 46 66-66	Collar	1				

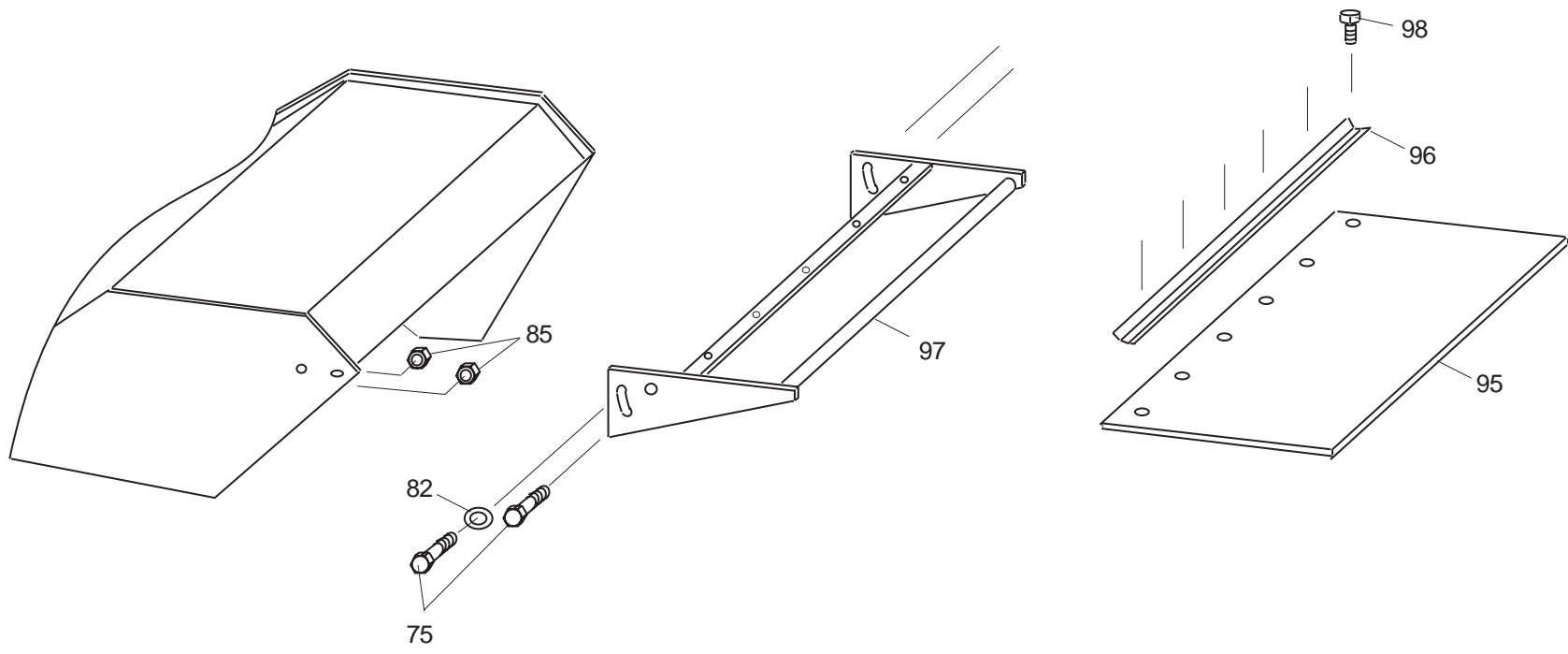
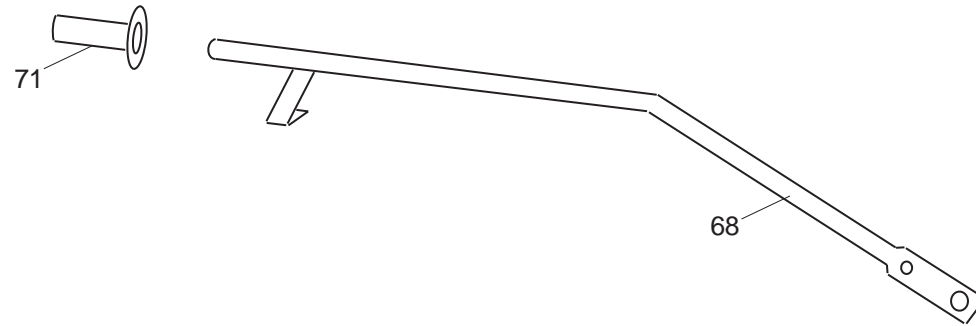
544 92 16-01

T-20407

SMU2(3)



SMU3(3)



544 92 16-01

T-20407