

T25 M

Spare parts

Ersatzteile

Pièces détachées

Reserve onderdelen

Repuestos

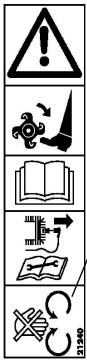
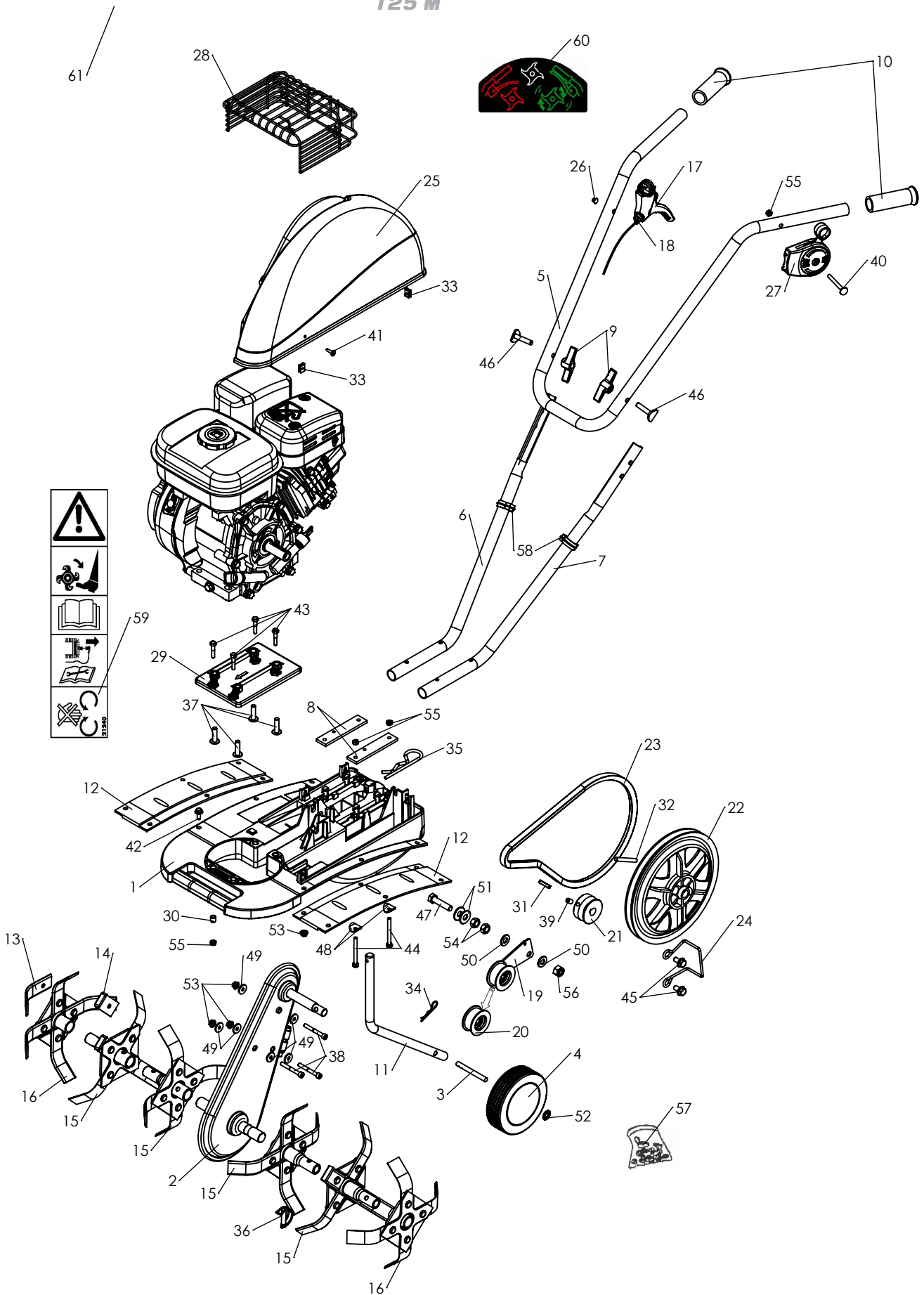
Reservdelar

REPAIR PARTS

TILLER - MODEL NO. T25 M, PRODUCT NO.523 00 69-01



T25 M



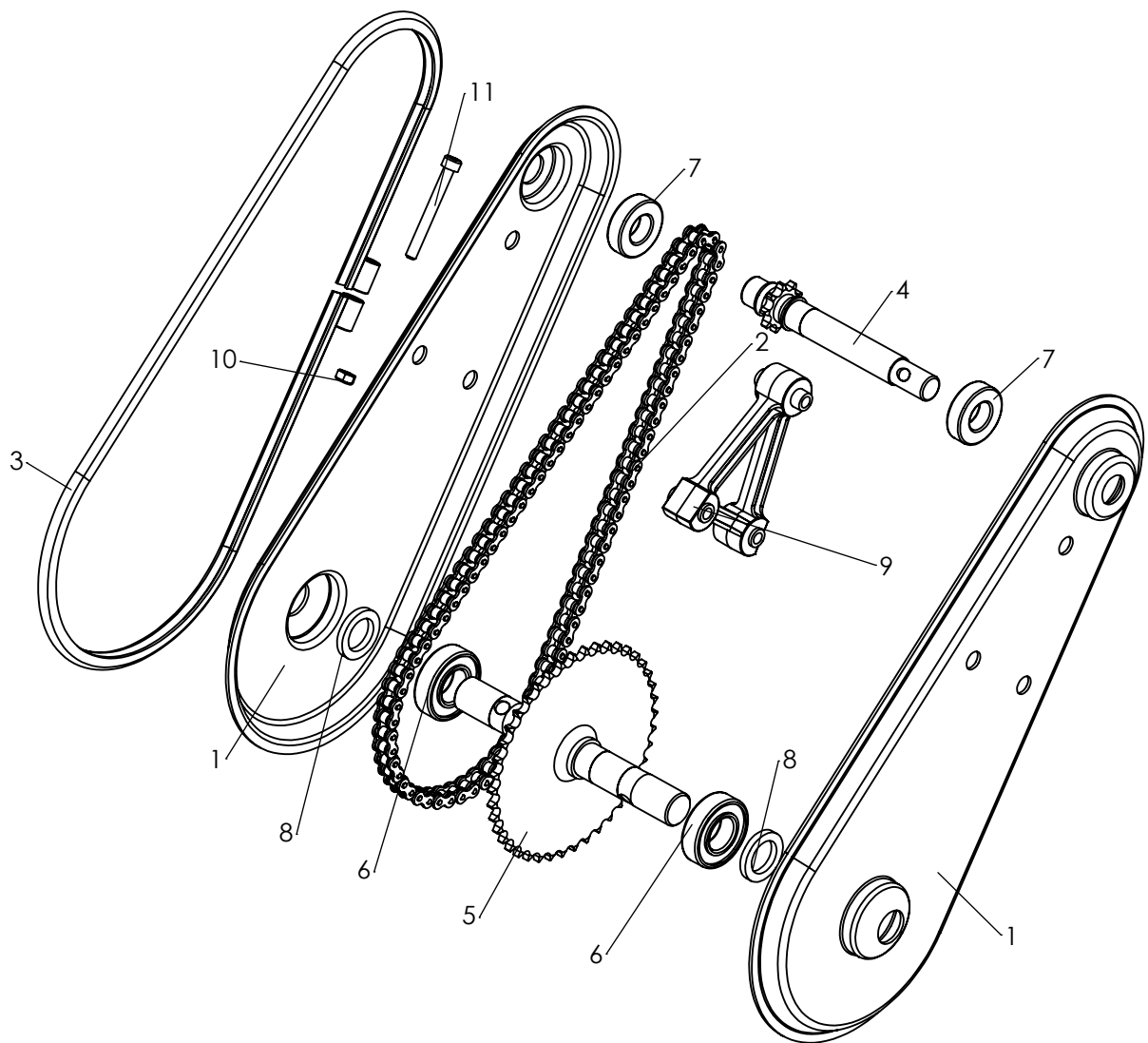
REPAIR PARTS

TILLER - MODEL NO. T25 M, PRODUCT NO.523 00 69-01

KEY NO.	PART NO.	DESCRIPTION	DESIGNATION	QTY QTE
1	531 00 84-45	Chassis (Black)	Châssis (Noir)	1
2	531 00 84-31	Complete casing, flanged (Black)	Carter complet à jonc (Noir)	1
3	531 00 85-62	Axle of travelling wheel	Axe roue de transport	1
4	531 00 85-69	Transport wheel Ø130	Roue Ø130 ales 8 Noir	1
5	531 00 84-32	Handelbars (top part)	Guidon (partie haute)	1
6	531 00 84-33	Black handelbars (bottom right-hand part)	Guidon noir (partie droite basse)	1
7	531 00 84-34	Black handelbars (bottom left-hand part)	Guidon noir (partie gauche basse)	1
8	531 00 84-40	Handelbar fixing plate	Platine fixation guidon	2
9	531 00 84-62	Black handlebar tightening lever	Poignée de serrage guidon noire	2
10	544 20 66-01	Hand side grip	Poignée Ø22x100	2
11	531 00 84-37	Black spur	Eperon noir	1
12	531 00 84 46	Black Guard	Protection noir	2
13	531 00 84-59	Inside blade 30x3 D240	Couteau interieur 30x3 D240	1
14	531 00 85-63	Outside blade 30x3 D240	Couteau exterieur 30x3, D240	1
15	531 00 84-58	Rotating blade 30x3 Ø240	Fraise départ 30x3 Ø240	4
16	531 00 84-60	Disk blade 30x3 Ø240	Fraise disque 30x3 Ø240	2
17	501 96 34-01	Lever LAB N2 B01 Ø22 stroke 17.5	Levier LAB N2 B01 Ø22 course 17.5	1
18	501 96 35-01	Clutch cable	Câble embr Mécabèche	1
19	522 53 06-01	Clutch lever	Levier d'embrayage	1
20	519 65 34-57	Clutch runner	Galet embrayage	1
21	531 00 84-56	Motor pulley gear (Shaft Ø15)	poulie moteur arbre Ø15	1
22	519 65 30-60	Transmission pulley	Poulie transmission	1
23	522 53 04-01	Belt (Mitsuboshi LA 36)	Courroie Mitsuboshi LA 36	1
24	505 03 39-01	Drive belt guide gear (EH 09)	Guide courroie EH09	1
25	523 00 61-01	Belt cowl	Capot courroie	1
26	523 00 62-01	Gate pin	Obturateur	1
27	523 00 66-01	Throttle cable + accelerator lever Q.Junior	Câble de gaz + manette Q.Junior	1
28	523 00 64-01	Exhaust grill GT 241	Grille d'échappement GT 241	1
29	523 00 65-01	Engine fixing plate	Plaque moteur Mécabèche	1
30	531 00 84-53	Spacer 10 x 6.5 x 9.8	Entretoise 10 x 6.5 x 9.8	4
31	505 54 37-01	Key 5 x 5 x 25	Clavette 5x5x25 BTS droits	1
32	519 65 30-67	Pulley pin shaft	Axe fixation poulie	1
33	519 65 34-25	Clips 4.2	Clips 4.2	4
34	519 65 12-20	Clip pin beta 2 Z	Goupille Béta 2 Z	1
35	531 00 84-67	Clip pin beta 5 Z	Goupille béta 5 Z	1
36	519 65 33-60	Clip pin Ø8x32	Goupille clip Ø8x32	6
37	523 00 63-01	Screw BHC 8x25z	Vis BHC M8x25z	4
38	519 65 30-10	Screw CHC M6x50	Vis CHC M6x50	3
39	728 69 23-00	Screw ST HC M8x16	Vis ST HC M8x16	1
40	544 31 31-01	Screw TBCC M6x60 z	Vis TBCC M6x60 z	1
41	519 65 34-26	Screw 4.2x19	Vis Tôle 4.2x19	4
42	519 65 34-35	Screw HM 6x16 z notched shoulder	Vis HM 6x16 z emb cr	6
43	502 07 65-01	Screw HM6x30z	Vis HM6x30z	4
44	519 65 31-13	Screw HM6x60z	Vis HM6x60z	4
45	531 00 82-02	Screw H M8x16 z notched shoulder	Vis HM 8x16 z emb cr	2
46	531 00 84-73	Screw M8x40 Z forged head bolt	Vis M8x40 Z tête emboutie	2
47	531 00 84-70	Screw H M10x45 z	Vis H M10x45 z	1
48	531 00 84-65	'6' shaped washer Ø22mm	Rondelle spéciale 6 forme Ø22	4
49	531 00 83-90	Washer 6.3x19x2.5 Z	Rondelle 6.3x19x2.5 Z	6
50	734 11 72-01	Washer M 10x22x2 Z	Rondelle M 10x22x2 Z	2
51	531 00 84-66	Washer M 10x27x2 Z	Rondelle M 10x27x2 Z	2
52	519 00 28-60	Starlock washer Ø8	Rondelle Starlock Ø8	1
53	519 65 34-32	Nut H M6 z notched shoulder	Ecrou HM 6 z emb cr	9
54	519 65 34-56	Nut HM 10z	Ecrou HM 10z	2
55	732 26 16-01	Blocking nut M 6 Z	Ecrou frein M 6 Z	9
56	519 65 34-58	Blocking nut M 10 Z	Ecrou frein M 10 Z	1
57	501 96 36-01	Bag of screws mécabèche	Pochette visserie mécabèche	1
58	519 00 64-17	Collar	Collier serrage câble	2
59	531 00 85-40	Safety label	Etiq. "sécurité"	1
60	519 65 30-85	Label "clutch lever"	Etiq. "Embrayage"	1
61	523 00 67-01	Husqvarna T25 M label	Etiquette Husqvarna T25 M	1

REPAIR PARTS

TILLER - MODEL NO. T25 M, PRODUCT NO.523 00 69-01



KEY NO.	PART NO.	DESCRIPTION	DESIGNATION	QTY QTE
1	531 00 84-36	Transmission housing	Joue carter	2
2	531 00 84-51	Chain 9.52 (84 links)	Chaine 9.52 (84 maillons)	1
3	531 00 84-35	Flange	Jonc	1
4	531 00 84-52	Primary shaft	Arbre primaire Mécabeche	1
5	531 00 84-48	Blade shaft	Arbre de travail 42 dts x9.52	1
6	519 65 31-90	Ball bearing 6004 2 RS	Roulement 6004 2 RS	2
7	531 00 84-47	Ball bearing 6003 2RS	Roulement 6003 2RS	2
8	531 00 84-49	Joint	Joint feutre carter	2
9	531 00 84-50	Plastic spacer	Entretoise carter mécabèche	1
10	732 26 16-01	Blocking nut M 6 Z	Ecrou frein M 6 Z	1
11	501 96 38-01	Screw CHC M6x55 z	Vis CHC M6x55 z	1