

# 142 (Export)

**Spare parts**

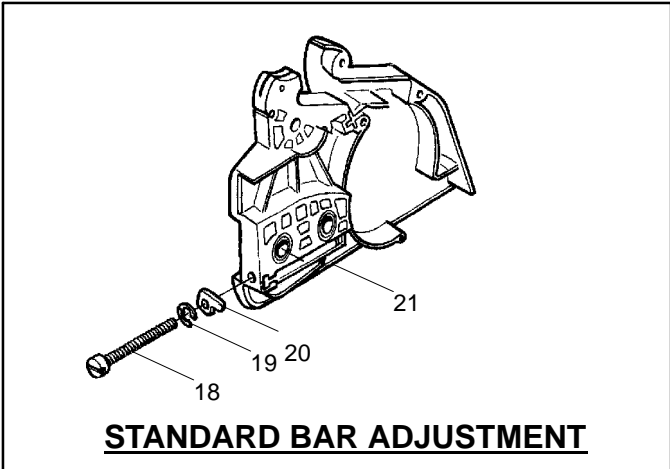
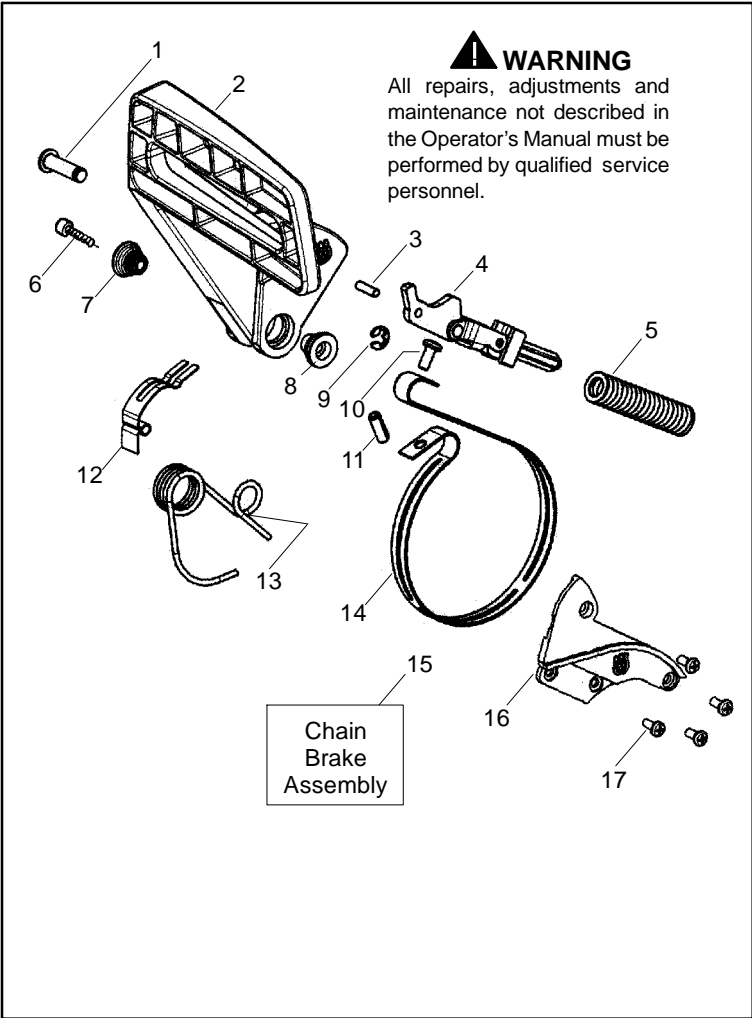
**Ersatzteile**

**Pièces détachées**

**Reserve onderdelen**

**Repuestos**

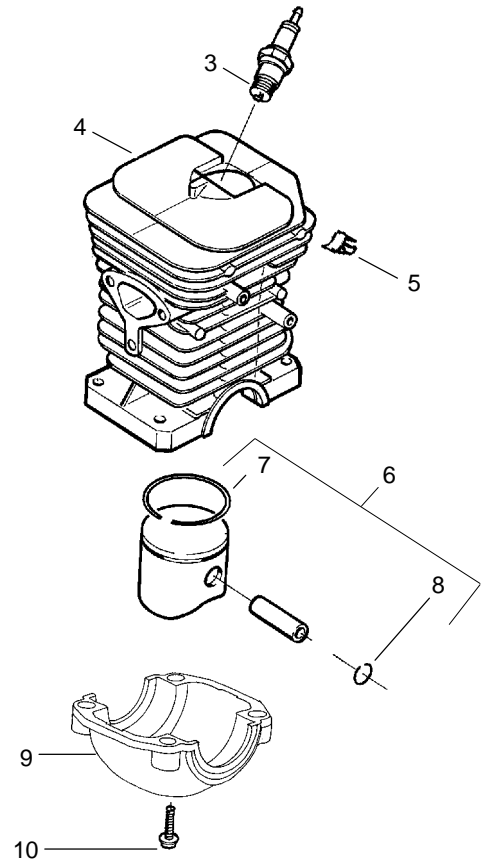
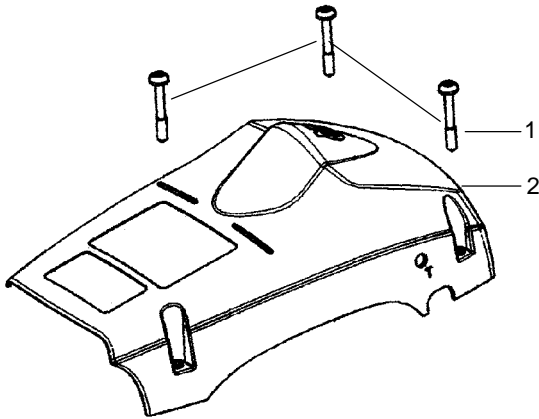
**Reservdelar**



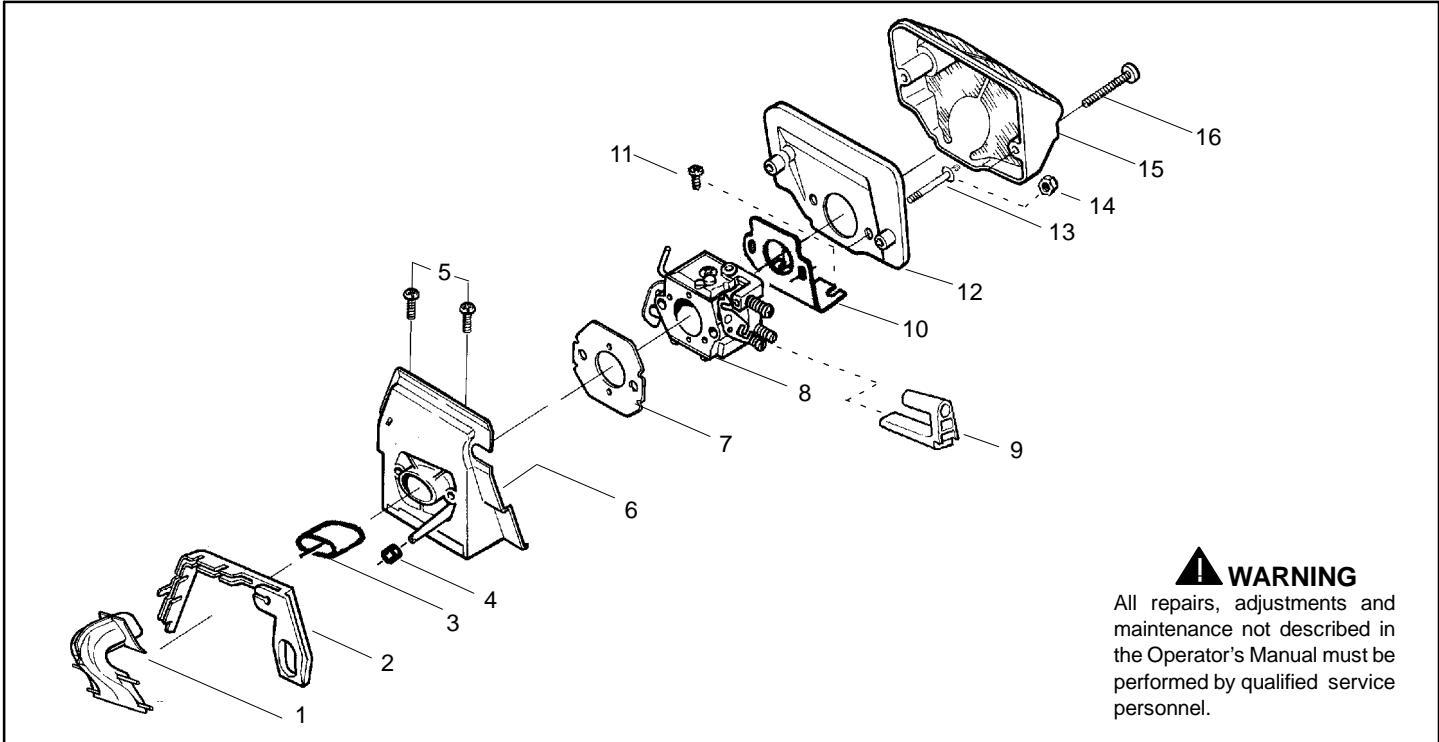
Ref.	Part No.	Description	Ref.	Part No.	Description
1	530029879	Pin-Pivot			
2	530071348	Kit- Lever & Link Assy. ( Incl. 4,14)			
3	530015915	Pin-Link			
4	530054741	Assy-Front Link			
5	530016237	Spring-Chain Brake			
6	530016384	Screw			
7	530056531	Journal-Right			
8	530029881	Journal-Left			
9	530024419	Retainer			
10	530015911	Screw			
11	530015913	Pin-Spring			
12	530029878	Spring-Position			
13	530015910	Spring-Handguard			
14	530052232	Band-Brake			
15	-----	Assy-Chain Brake			
	530054802	- Standard Bar Adjustment (Incl. 1,2,3,4,5,6,7,8,9,10,11,12,13,14,16,17,18,19,20,21)			
16	530053035	Cover-Chain Brake Spring			
17	530015911	Screw			
18	530016110	Screw-Bar Adjusting			
19	530038593	Retainer			
20	530015826	Pin-Bar Adjusting			
21	-----	Cover-Clutch			
	530049483	- Standard Bar Adjustment			
				Not Shown	
				-----	Manual-Operator's
				545137539	-Standard Bar (Scan)
				545137540	-Standard Bar (Euro 1)
				545137541	-Standard Bar (Euro 2)
				545137542	-Standard Bar (Euro 3)
				545137543	-Standard Bar (Euro 4)
				545137544	-Standard Bar (Euro 5)
				545137545	-Standard Bar (Russian)
				545137546	-Standard Bar (Turkish)
				530031135	Scrench
				530047839	Decal-Warning
				545003026	Decal - CE Warning

**⚠ WARNING**

All repairs, adjustments and maintenance not described in the Operator's Manual must be performed by qualified service personnel.

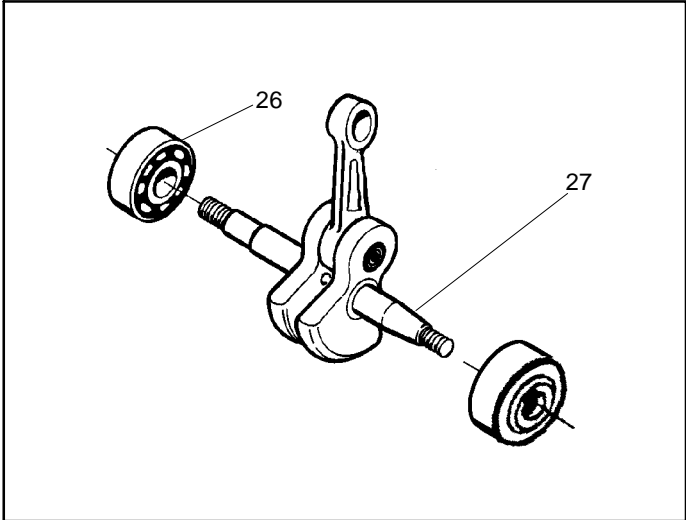
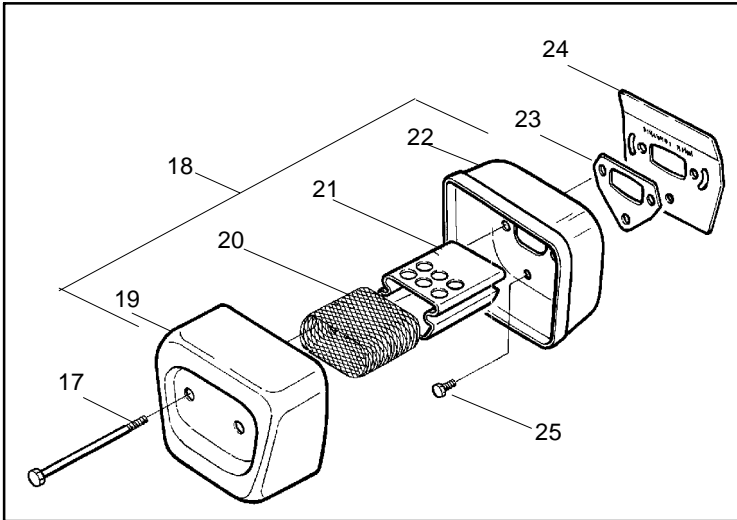


Ref.	Part No.	Description
1	530016154	Screw
2	530059960	Shield-Cylinder
3	952030150	Spark Plug (RCJ-7Y)
4	530069941	Kit-Cylinder (40cc) (incl. 4,9 & #26 pg. 3)
5	530015696	Clip - High Tension Lead
6	530069454	Kit-Piston (40cc) (Includes pin and 7, 8)
7	530029982	Ring-Piston (40cc)
8	530015697	Piston Pin Retainer
9	530049794	Cap-Crankcase
10	530015897	Screw



**⚠ WARNING**

All repairs, adjustments and maintenance not described in the Operator's Manual must be performed by qualified service personnel.

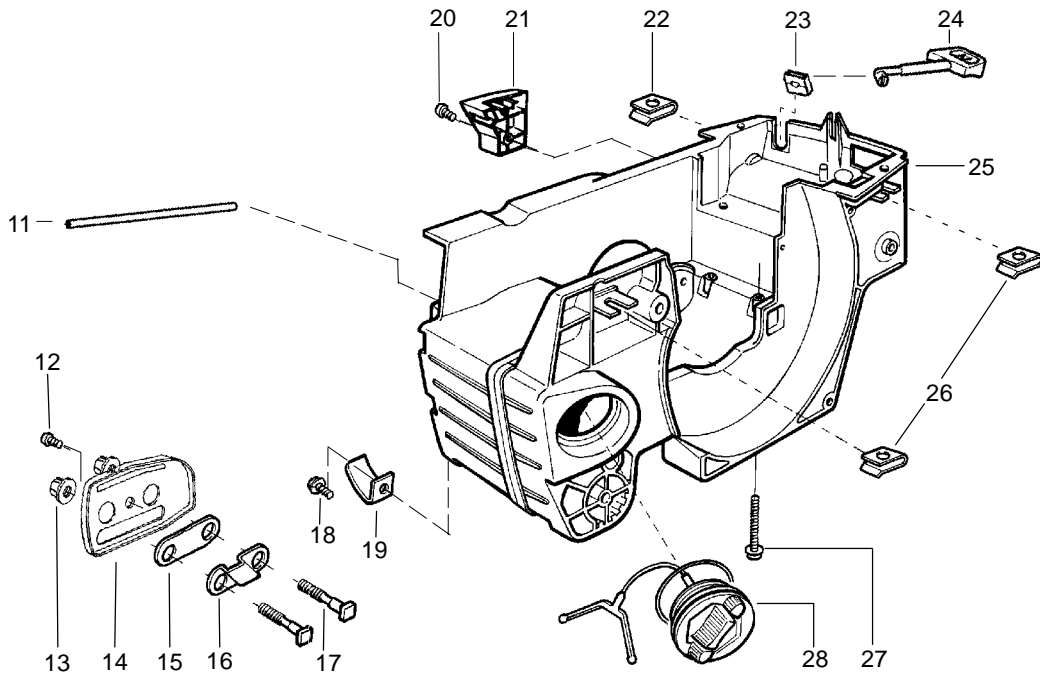
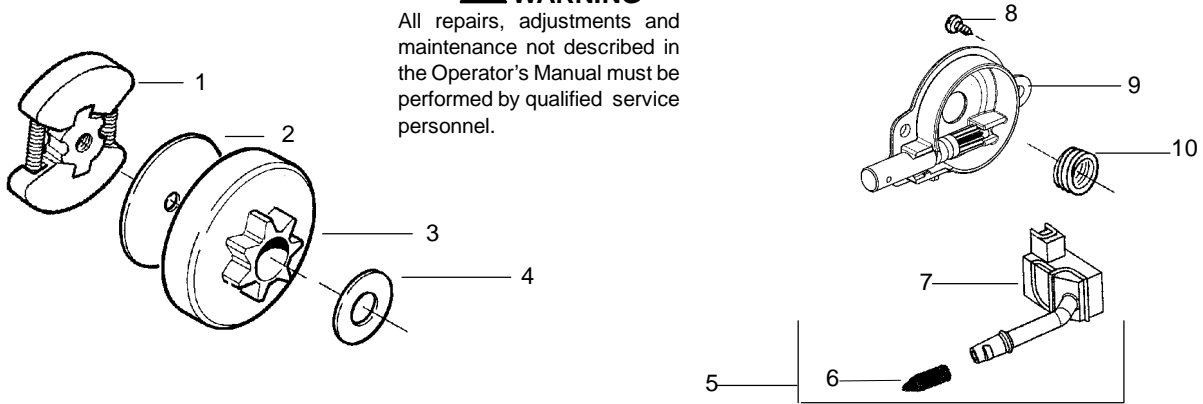


Ref.	Part No.	Description	Ref.	Part No.	Description
1	530029813	Assy-Turbo Air Cleaner	14	530016008	Nut
2	530019203	Seal - Turbo Clean	15	545057801	Air-Filter - Top
3	530029814	Sleeve-Intake	16	530015899	Screw
4	530053435	Seal-Impulse	17	530016044	Bolt-Muffler
5	530015814	Screw	18	530069415	Kit-Muffler (Includes 17,19,20,21,22,25)
6	530037465	Adapter - Carb.	19	530037254	Cover-Muffler
7	530019172	Gasket-Carburetor	20	530029810	Screen-Spark Arrestor
8	---	Carburetor	21	530037246	Diffuser-Muffler
	530071987	W-29	22	530037251	Body-Muffler
	545013502	WT-834	23	530019205	Gasket-Muffler
9	530035587	Grommet-Final	24	530037640	Plate-Muffler
10	530047767	Plate - Support	25	530015902	Bolt-Muffler support
11	530015896	Screw	26	530056363	Assy. -Bearing and Seal
12	530036582	Air Filter - Bottom	27	530029794	Assy-Crankshaft & Rod
13	530015968	Stud - Carb.			

✓ = NEW PART NUMBER FOR THIS IPL  
 ● = THESE PARTS ARE ILLUSTRATED FOR CLARITY. ORDER COMPLETE ASSEMBLY.

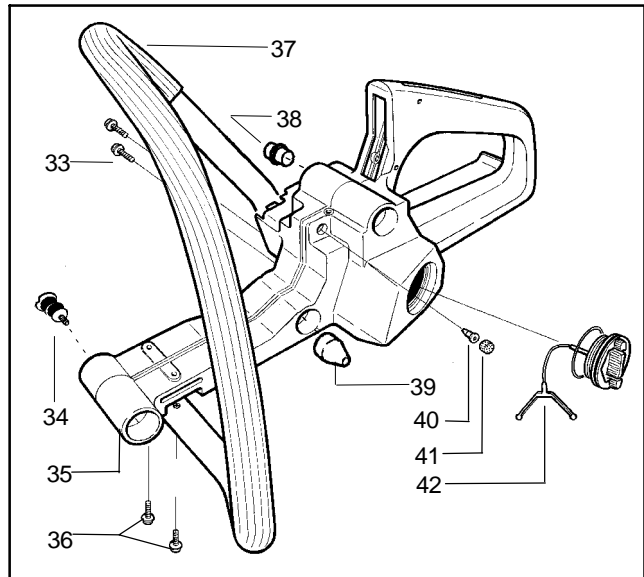
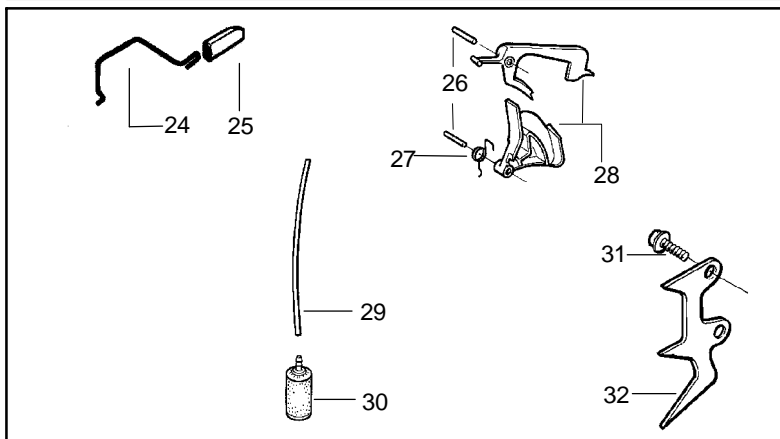
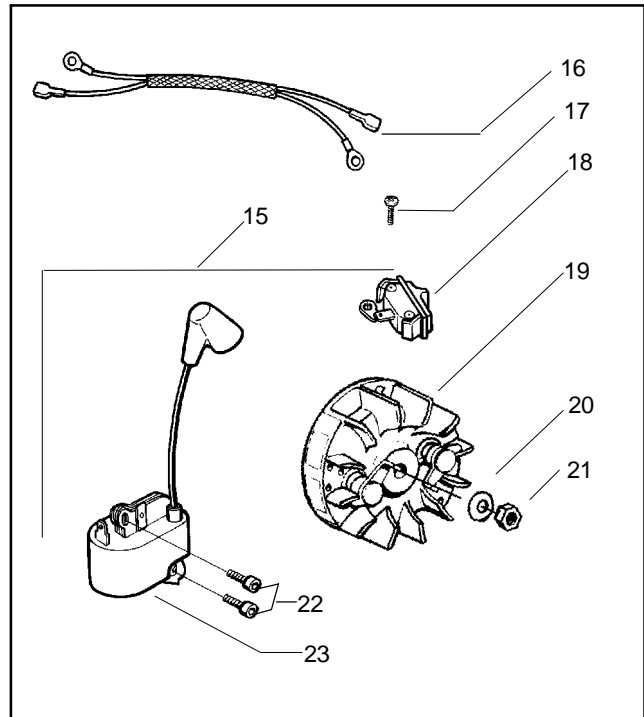
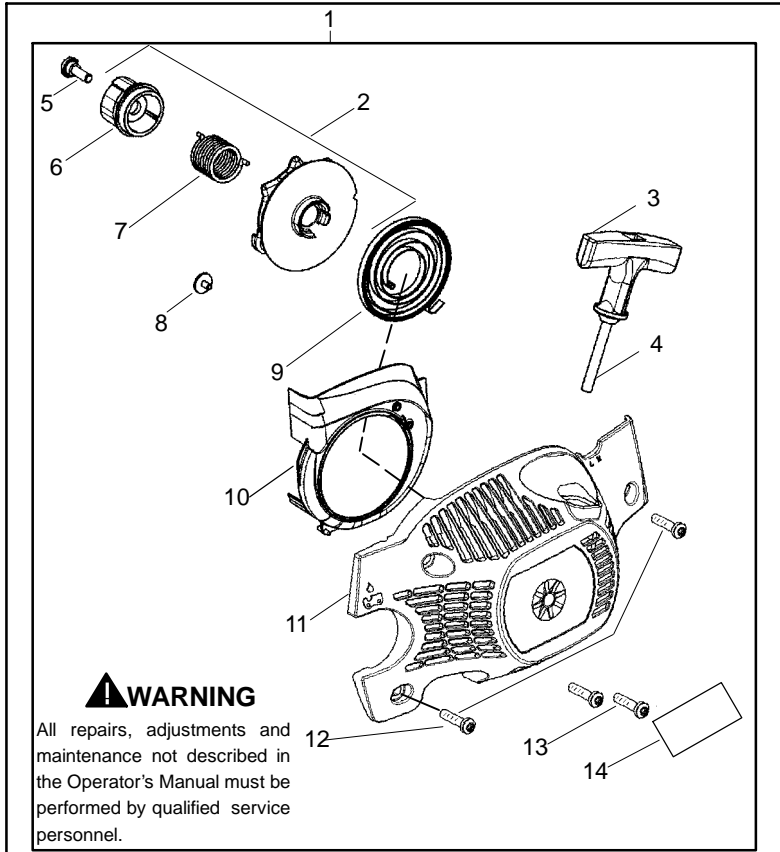
**⚠ WARNING**

All repairs, adjustments and maintenance not described in the Operator's Manual must be performed by qualified service personnel.



Ref.	Part No.	Description	Ref.	Part No.	Description
1	530014949	Assy-Clutch	14	530047855	Plate-Bar
2	530015611	Washer-Clutch	15	530019228	Gasket
3	---	Assy-Clutch Drum	16	530036043	Plate-Bar Stud
	530047061	3/8"	17	530015877	Bar Bolt
	530048132	.325"	18	530015878	Screw
4	530015907	Washer-Thrust	19	530029850	Chain Catcher
5	530014776	Assy-Oil Pick-Up and Screen (Incl. 6,7)	20	530015893	Screw
6	530056533	Filter-Oil	21	530052428	Cover
7	545037101	Assy-Pickup	22	530015922	Nut-Type "U" Speed
8	530015896	Screw	23	530029830	Grommet
9	530014410	Assy-Oil Pump	24	530029831	Lever-Choke
10	530029833	Worm Gear-Oil Pump	25	530071991	Kit - Chassis Ass'y.
11	545033501	Tube-Oil Vent	26	530015922	Nut-Type "U" Speed
12	530015896	Screw (optional)	27	530016037	Screw
13	530015917	Nut (used with standard bar adjustment)	28	501765602	Assy.- Oil Tank Cap

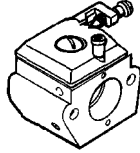
✓ = NEW PART NUMBER FOR THIS IPL      \* = REFER TO THE SERVICE REFERENCE INDICATED FOR MORE INFORMATION. (LOCATED AT END OF IPL)  
 ● = THESE PARTS ARE ILLUSTRATED FOR CLARITY. ORDER COMPLETE ASSEMBLY.



Ref.	Part No.	Description	Ref.	Part No.	Description	Ref.	Part No.	Description
1	530071968	Kit-Fan Hsg / Starter (Incl. 2,3,4,5,6,7 8,9,10,11)	13	530015892	Screw	28	530069587	Kit - Throttle Trigger
2	530071966	Kit-Starter EPS (Incl. 5,6,7,8)	14	545005218	Decal -Fan Housing	29	530069247	Kit - Fuel line
3	530150318	Handle-Starter	15	530071967	Kit-EPS ignition (Incl. 18, 19, 23)	30	530014497	Assy.- Fuel Pickup
4	530069232	Kit-Rope	16	530403257	Assy-Leadwire	31	530016439	Screw
5	530021179	Screw-shoulder	17	530015896	Screw	32	530014381	Kit-Assy Spike (Incl.#31) (Optional)
6	530059677	Hub	18	503717901	Switch-Ignition	33	530015940	Screw
7	530021180	Spring-EPS	19	530059637	Assy.-Flywheel	34	530029870	Element - AV Isolator
8	530016080	Screw	20	530015127	Washer-Flywheel	35	530052446	Assy. -Tank/Handle
9	530042095	Spring-Starter	21	530016134	Nut	36	530015843	Screw
10	530059959	Baffle-Air	22	545121901	Screw	37	530059961	Handle-Front
11	530059958	Assy-Fan Hsg. w/eyelet	23	530039239	Module - Ignition	38	530052439	Isolator-Front Handle
12	530015893	Screw	24	530029869	Wire - Throttle	39	530029984	Isolator
			25	530029863	Cap - Wire	40	530026119	Valve - Check
			26	530029860	Pin	41	530038264	Plug - Vent
			27	530029861	Spring	42	530071266	Kit-Assy. Fuel Cap

✓ = NEW PART NUMBER FOR THIS IPL      \* = REFER TO THE SERVICE REFERENCE INDICATED FOR MORE INFORMATION. (LOCATED AT END OF IPL)  
● = THESE PARTS ARE ILLUSTRATED FOR CLARITY. ORDER COMPLETE ASSEMBLY.

**Kit - Carburetor Assembly No. 530071987 - Zama W-29**



Carb  
Repair  
Kit

|  
1

Ref.	Part No.	Description
1.	--- 530035269 530035260	Kit-Carburetor Repair (Zama) (Walbro)

**WARNING**

All repairs, adjustments and maintenance not described in the Operator's Manual must be performed by qualified service personnel.