

R152 SVH-BBC

Spare parts

Ersatzteile

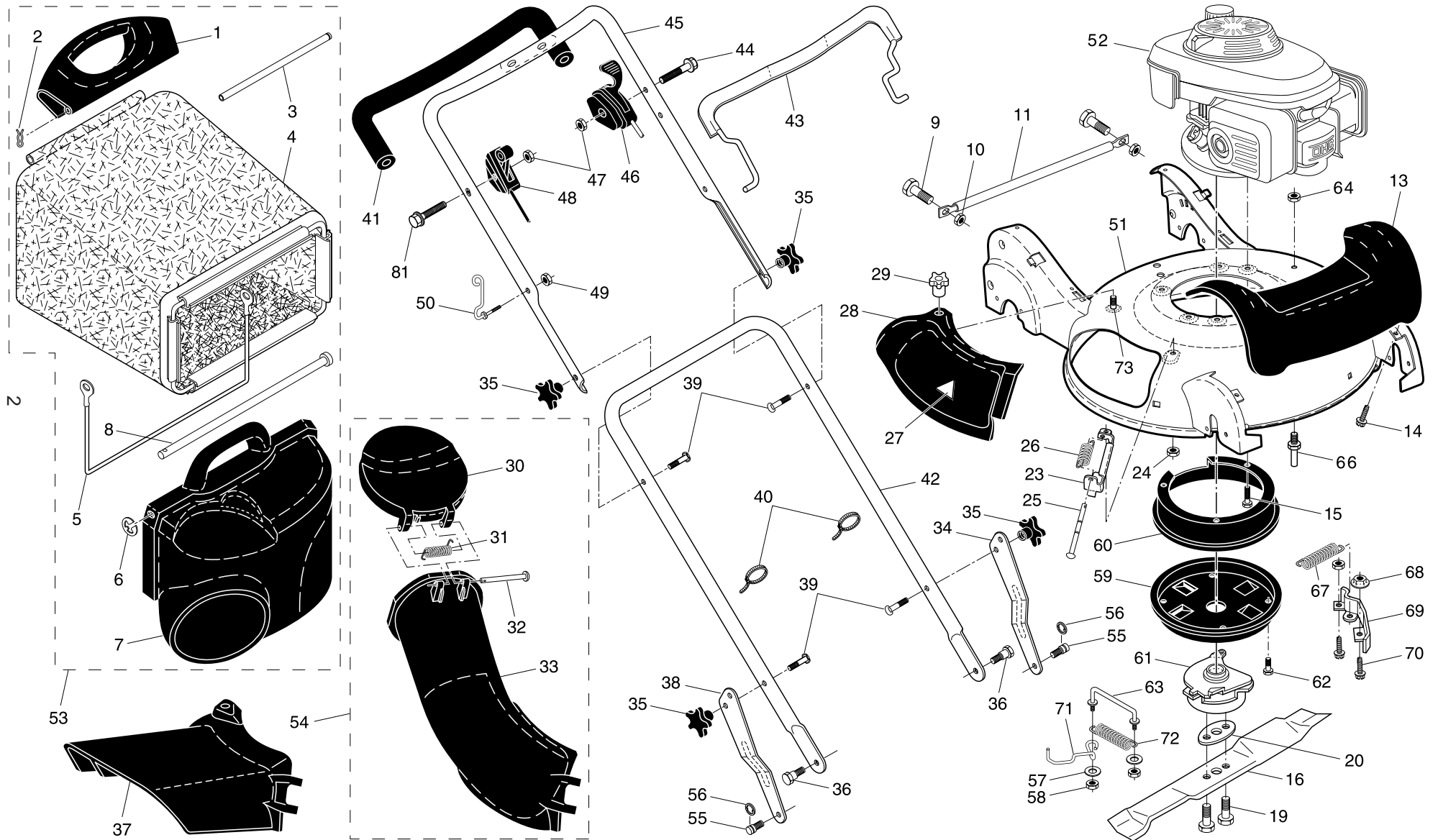
Pièces détachées

Reserve onderdelen

Repuestos

Reservdelar

ROTARY LAWN MOWER - MODEL NUMBER R152SVH-BBC (96141006302) PRODUCT NUMBER 961 41 00-63



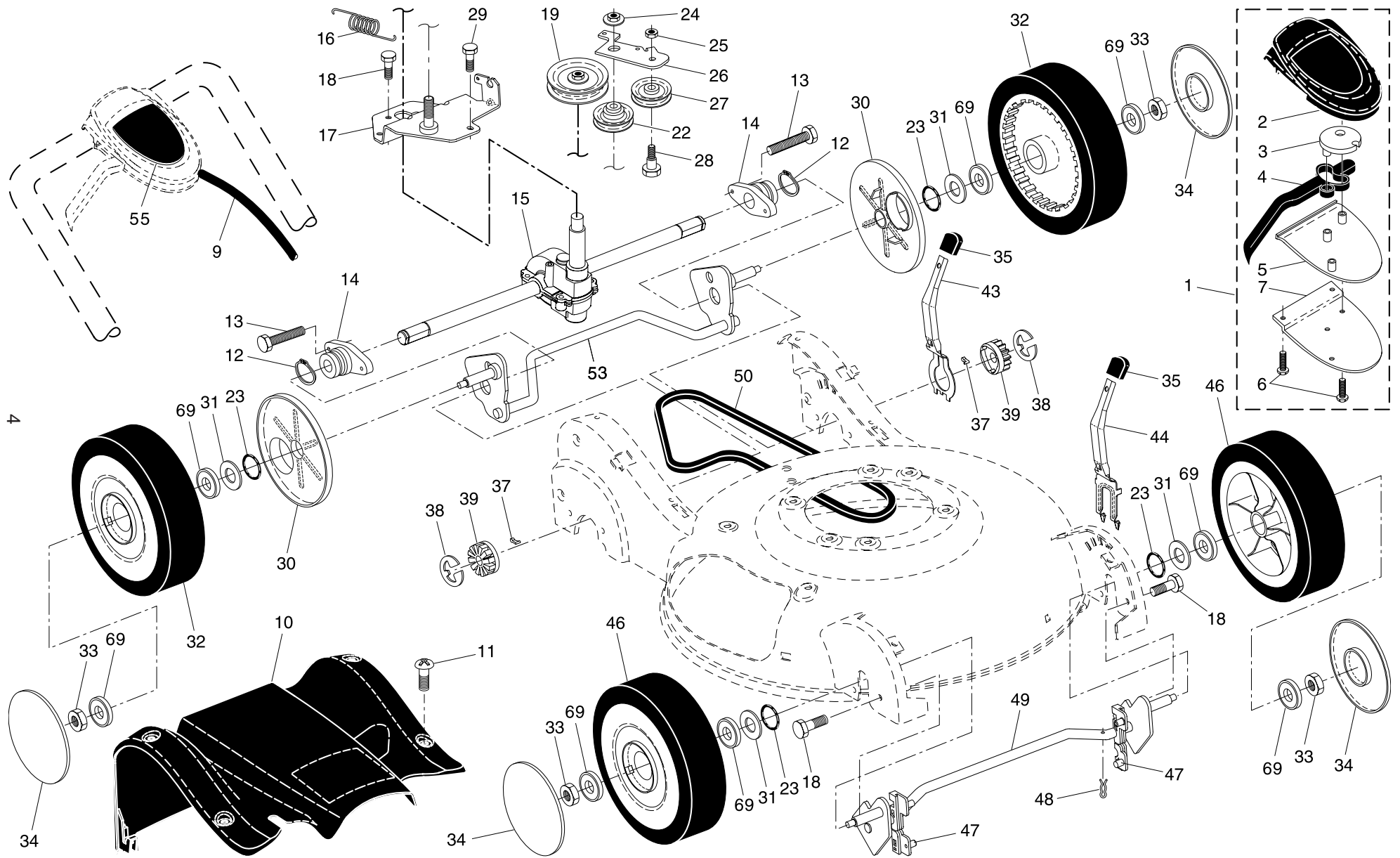
ROTARY LAWN MOWER - MODEL NUMBER R152SVH-BBC (96141006302) PRODUCT NUMBER 961 41 00-63

KEY NO.	PART NO.	DESCRIPTION	KEY NO.	PART NO.	DESCRIPTION
1	532 19 05-82	Handle, Grassbag, Rear	43	532 18 62-99	Bail, Control
2	532 06 53-22	Hairpin Cotter	44	532 18 33-65	Screw, Hex Head
3	532 18 34-83	Rod, Rear Handle, Grassbag	45	532 18 62-96	Handle Assembly, Upper (Includes Foam Grip)
4	532 40 18-98	Grassbag	46	532 19 65-41	Blade Brake Control
5	532 18 85-06	Frame, Grassbag	47	532 13 20-04	Screw
6	812 00 00-14	E-Ring	48	532 19 12-57	Throttle Control
7	532 19 05-81	Door, Grassbag	49	532 13 20-04	Locknut, Hex 1/4-20
8	532 18 34-79	Rod, Pivot	50	532 18 85-01	Rope Guide
9	872 14 04-05	Screw	51	532 40 07-28	Kit, Housing
10	873 80 04-00	Nut, Hex, Nylock	52	- - -	Engine, Honda, Model Number GCV160 (order parts from engine manufacturer)
11	532 19 06-92	Tube, Rear Skirt			
13	532 19 05-19	Cover, Front	53	532 40 18-96	Grassbag Assembly, Complete
14	532 19 94-22	Screw, Hex Washer Head	54	532 18 90-14	Discharge Chute Assembly, Complete
15	532 15 04-06	Bolt, Engine Mounting	55	532 19 41-92	Stud, Shoulder, T45
16	532 19 93-80	Blade, 21"	56	812 00 00-58	E-Ring, T45
19	532 19 34-07	Bolt, Hex Head	57	532 05 39-98	Washer, Flat
20	532 19 34-09	Spacer, Blade	58	873 51 06-00	Nut, Hex 3/8-16
23	532 18 36-09	Mounting Bracket, Mulcher Door	59	532 19 09-31	Belt Cover, Lower
24	532 19 17-30	Nut, Hex	60	532 19 09-30	Belt Cover, Upper
25	532 18 34-45	Rod, Hinge	61	- - -	Blade Brake / Clutch Assembly (order parts from engine manufacturer)
26	532 18 34-46	Spring, Mulcher Door			
27	532 18 21-66	Decal, Danger	62	532 75 00-97	Screw
28	532 19 05-15	Mulcher Door	63	532 18 01-88	Link, Torque
29	532 18 34-47	Knob	64	873 19 70-33	Nut, Hex 3/8-16
30	532 19 05-80	Door, Discharge Chute	66	532 18 21-31	Stud, Belt Guide
31	532 18 34-78	Spring, Door, Discharge Chute	67	532 18 03-93	Spring
32	532 18 34-45	Rod, Door, Discharge Chute	68	873 90 04-00	Nut, Hex, Centerlock, Zinc Plated 1/4-20
33	532 19 05-78	Discharge Chute, Plastic	69	532 19 09-29	Brake, Clutch
34	532 19 06-19	Adjustment Bracket, Lower Handle, LH	70	874 78 04-10	Bolt, Hex Head
35	532 18 55-88	Knob, Star	71	532 18 85-45	Belt Keeper
36	532 19 41-87	Bolt, Shoulder	72	532 18 03-94	Spring
37	532 18 59-96	Deflector, Discharge	73	532 18 86-34	Stud, Threaded 1/4-20 x 5/8
38	532 19 06-21	Adjustment Bracket, Lower Handle, RH	81	532 18 99-37	Screw
39	532 19 15-74	Bolt, Handle	--	532 18 21-34	Decal, Warning (not shown)
40	532 06 64-26	Wire Tie	--	532 41 57-22	Operator's Manual, European
41	532 18 27-48	Grip, Foam	--	532 41 57-23	Operator's Manual, Scandinavian
42	532 18 70-96	Handle Assembly, Lower	--	532 41 57-24	Operator's Manual, East Bloc
			--	532 41 57-25	Operator's Manual, Baltic

NOTE: All component dimensions given in U.S. inches. 1 inch = 25.4 mm

IMPORTANT: Use only Original Equipment Manufacturer (O.E.M.) replacement parts. Failure to do so could be hazardous, damage your lawn mower and void your warranty.

ROTARY LAWN MOWER - MODEL NUMBER R152SVH-BBC (96141006302) PRODUCT NUMBER 961 41 00-63



ROTARY LAWN MOWER - MODEL NUMBER R152SVH-BBC (96141006302) PRODUCT NUMBER 961 41 00-63

KEY NO.	PART NO.	DESCRIPTION
1	532 19 70-12	Drive Control Assembly (Includes Cable)
2	532 41 16-73	Cover, Drive Control, Top
3	532 18 73-53	Pulley, Drive Control
4	532 19 00-37	Lever, Drive Control (blue)
5	532 41 16-64	Cover, Drive Control, Bottom
6	532 18 16-98	Screw, Torx Head #8 x 5/8
7	532 40 07-23	Bracket, Mounting, Drive Control
9	532 19 70-11	Cable, Drive Control
10	532 41 69-63	Cover Assembly, Drive
11	532 19 41-88	Screw
12	812 00 00-12	Ring, Retaining
13	532 08 86-52	Screw
14	532 40 80-27	Bearing / Axle Support
15	532 40 80-29	Gear Case Assembly (See Breakdown)
16	532 40 65-58	Spring, Return
17	532 40 80-05	Belt Keeper
18	532 16 34-09	Screw
19	532 19 40-18	Pulley, Drive
22	532 19 37-91	Pulley Assembly, V-Groove
23	532 19 74-80	O-Ring
24	532 40 91-49	Nut, Hex, Flangelock
25	873 93 05-00	Nut, Hex, Lock

KEY NO.	PART NO.	DESCRIPTION
26	532 41 67-36	Idler Arm
27	532 16 60-43	Pulley, Idler
28	532 16 08-29	Bolt, Hex Head, Shoulder
29	817 06 04-10	Screw 1/4-20 x 1/16
30	532 18 34-57	Cover, Dust, Wheel
31	532 08 83-48	Washer, Flat 3/8
32	532 19 26-22	Wheel Assembly, Rear 9 x 2-1/4
33	532 40 91-48	Nut, Hex
34	532 18 34-42	Hubcap
35	532 18 59-94	Knob
37	532 40 48-45	Pawl
38	812 00 00-58	E-Ring
39	532 40 38-49	Pinion, Gear
43	532 19 05-20	Lever, Selector, Wheel Height, Rear
44	532 19 05-18	Lever, Selector, Wheel Height, Front
46	532 19 22-32	Wheel Assembly, Front 9 x 2-1/4
47	532 18 34-38	Bushing, Front Axle
48	532 16 96-75	Retainer, Hairpin Cotter
49	532 19 64-69	Torque Shaft Assembly, Front
50	532 40 80-31	Belt, Drive
53	532 41 67-40	Rear Axle Assembly
55	532 18 93-78	Decal, Drive Control
69	532 75 10-68	Bearing, Ball (Wheel)

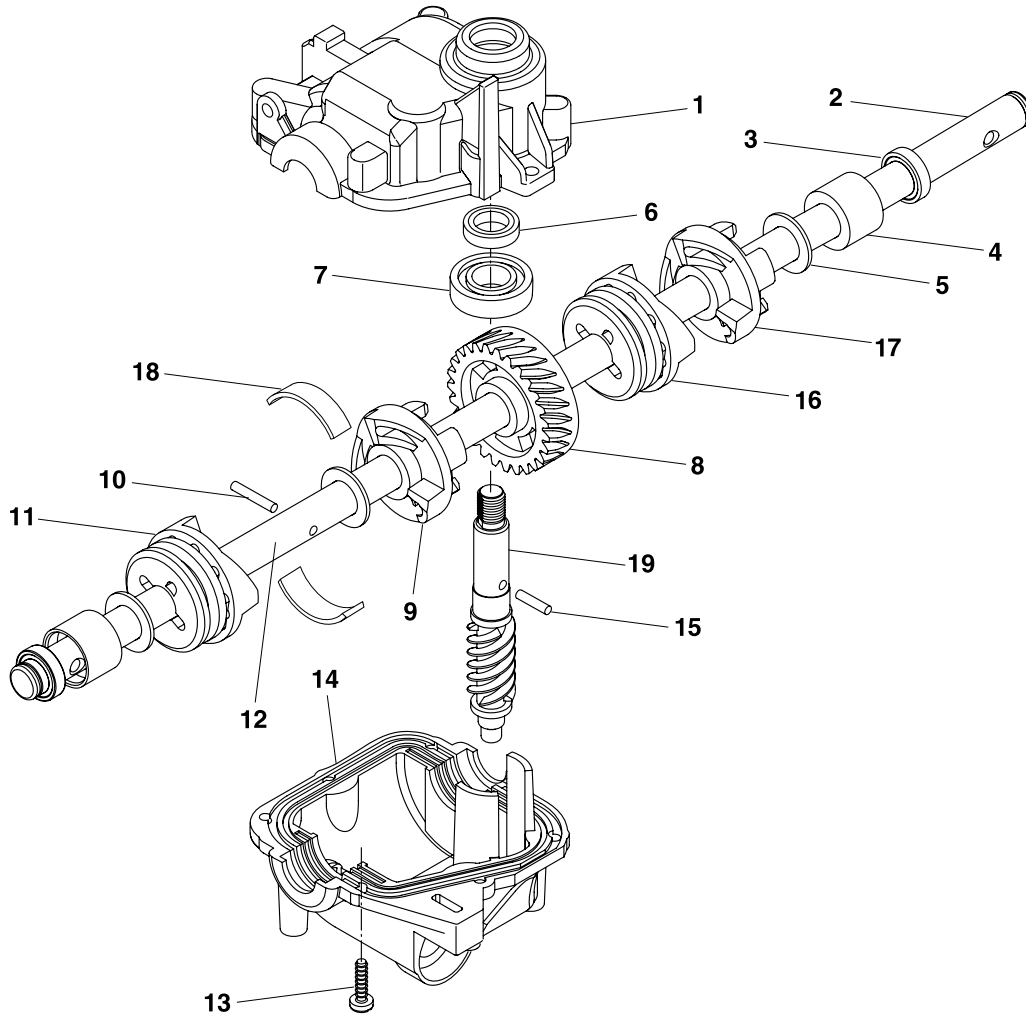
NOTE: All component dimensions given in U.S. inches. 1 inch = 25.4 mm

IMPORTANT: Use only Original Equipment Manufacturer (O.E.M.) replacement parts. Failure to do so could be hazardous, damage your lawn mower and void your warranty.

ROTARY LAWN MOWER - MODEL NUMBER R152SVH-BBC (96141006302)

PRODUCT NUMBER 961 41 00-63

GEAR CASE ASSEMBLY - - PART NUMBER 532 40 80-29



KEY NO.	PART NO.	DESCRIPTION
1	532 41 27-36	Case, Upper
2	532 41 32-69	Shaft, Output, Long
3	532 18 35-08	Seal, Output Shaft
4	532 18 35-11	Bushing
5	532 18 35-09	Washer
6	532 18 35-14	Seal, Worm Shaft
7	532 18 35-06	Bearing, Ball
8	532 41 27-42	Gear, 28 Teeth
9	532 41 27-39	Fixed Dog Clutch, LH
10	532 41 27-46	Pin, Output Shaft
11	532 41 27-40	Movable Dog Clutch, LH
12	532 41 32-68	Shaft, Output, Short
13	532 18 35-13	Screw, Case
14	532 41 27-47	Case, Lower
15	532 41 27-41	Pin, Worm Shaft
16	532 41 27-44	Fixed Dog Clutch, RH
17	532 41 27-43	Movable Dog Clutch, RH
18	532 41 07-31	Spring, Leaf
19	532 41 32-67	Shaft, Worm

NOTE: All component dimensions given in U.S. inches. 1 inch = 25.4 mm
IMPORTANT: Use only Original Equipment Manufacturer (O.E.M.) replacement parts.
 Failure to do so could be hazardous, damage your lawn mower and void your warranty.