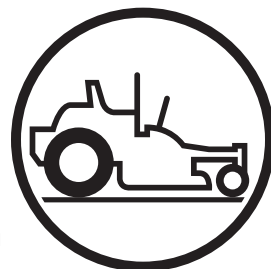


Parts Manual

LZF5227 / 966956701

LZF6127 / 966956801



Please read the operator's manual carefully and make sure you understand the instructions before using the machine.

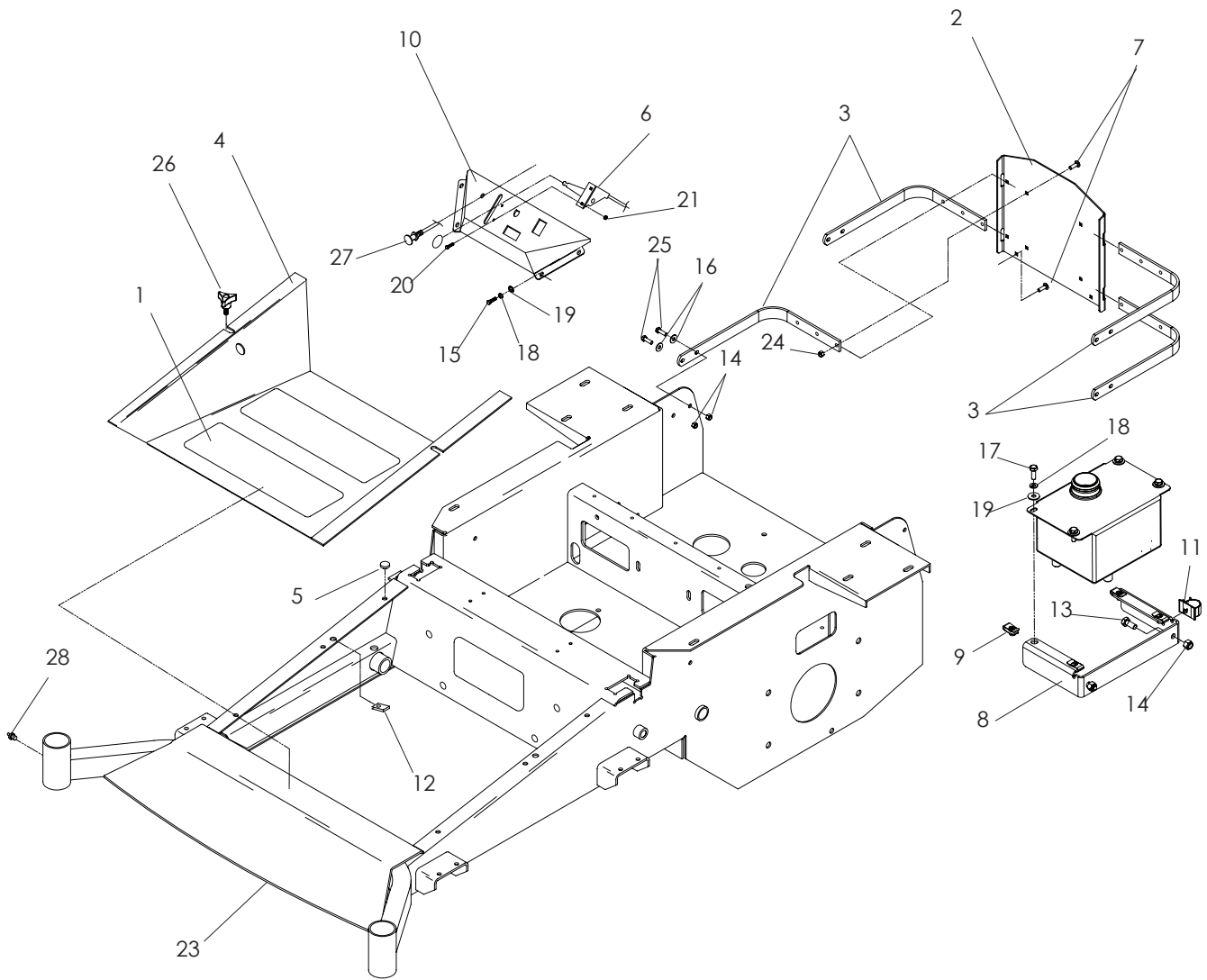
English

CONTENTS

| | | | |
|-----------------------------|----|--|----|
| CHASSIS / FRAME | 4 | DECALS | 30 |
| ENGINE PLATE..... | 8 | PROTECTION FRAME | 32 |
| STEERING | 10 | ROLLOVER PROTECTION SYSTEM (ROPS)..... | 32 |
| PARKING BRAKE | 12 | LIGHT KIT | 32 |
| HYDRAULIC PUMP - MOTOR..... | 14 | ACCESSORIES..... | 34 |
| MOWER LIFT / DECK LIFT..... | 16 | HCS13 - MOUNTING KIT | 34 |
| 52" DECK | 18 | HOOD ASSEMBLY - 539 113756 | 36 |
| 61" DECK | 20 | HITCH ASSEMBLY - 539 111280..... | 38 |
| FUEL SYSTEM..... | 22 | DRIVE KIT ASSEMBLY | 40 |
| SEAT | 24 | BLOWER ASSEMBLY | 42 |
| CASTER..... | 26 | WEIGHT KIT | 44 |
| ELECTRICAL | 28 | | |

NOTE: ALL FASTENERS ARE GRADE 5 UNLESS OTHERWISE SPECIFIED.

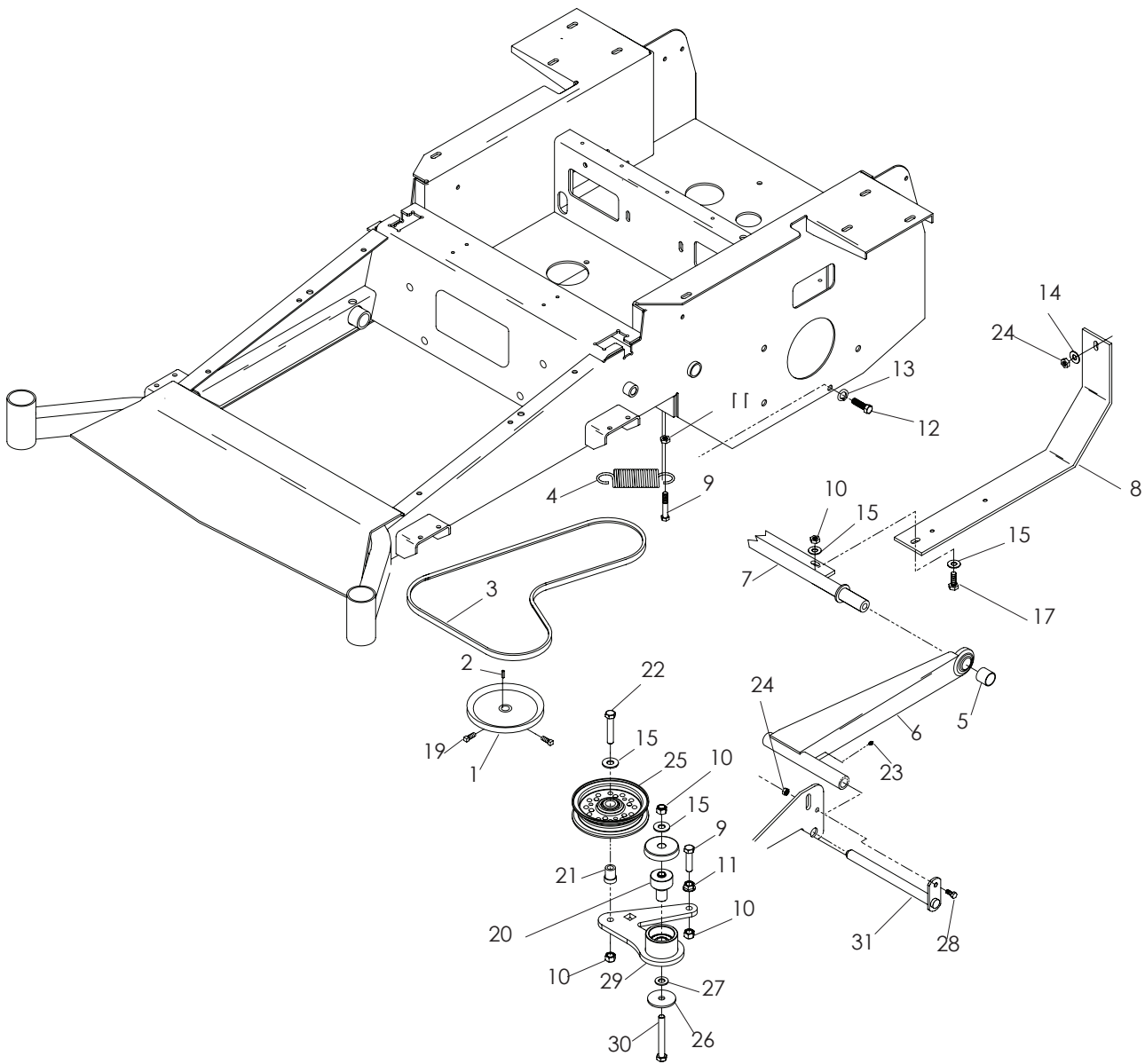
CHASSIS / FRAME



CHASSIS / FRAME

| ITEM | PART NO. | QTY. | DESCRIPTION | ITEM | PART NO. | QTY. | DESCRIPTION |
|------|----------------|------|--|------|-----------------|------|---------------------------------------|
| 1.. | 539 977778.... | 3 | FLOOR PAN PAD | 16.. | 539 990692.... | 8 | WASHER $\frac{5}{16}$ STD FLT |
| 2.. | 539 110976.... | 1 | XP GUARD, BLACK | 17.. | 539 990580.... | 8 | HCS $\frac{1}{4}$ -20 x $\frac{3}{4}$ |
| 3.. | 539 106961.... | 4 | STRAP, BLACK | 18.. | 539 990052.. | 10 | LOCKWASHER $\frac{1}{4}$ |
| 4.. | 539 104721.... | 1 | FOOT PLATE | 19.. | 539 990598.... | 8 | WASHER $\frac{1}{4}$ FLAT |
| 5.. | 539 102587.. | 10 | BUMPER | 20.. | 539 990411 | 2 | HCS 10-24 x $\frac{1}{2}$ |
| 6.. | 539 102732.... | 1 | CABLE, THROTTLE | 21.. | 539 976977.... | 4 | NUT 10-24 NYLOC |
| 7.. | 539 990316.. | 10 | RHSNB $\frac{5}{16}$ -18 x $\frac{3}{4}$ | 22.. | 539 990187.... | 2 | WASHER $\frac{5}{16}$ LOCK |
| 8.. | 539 110814.... | 1 | TANK MOUNT | 23.. | 539 132278.... | 1 | FRAME |
| 9.. | 539 110813.... | 4 | U TYPE RETAINER | 24.. | 539 990184.. | 14 | NUT $\frac{5}{16}$ -18 CENTERLOCK |
| 10.. | 539 110953.... | 1 | CONSOLE | 25.. | 539 990209.... | 8 | HCS $\frac{5}{16}$ -18 x 1 |
| 11.. | 539 110815.... | 1 | CLIP, PUSH MOUNT | 26.. | 539 104411 | 1 | KNOB W/STUD |
| 12.. | 539 104763.... | 6 | U CLIP $\frac{5}{16}$ -18 | 27.. | 539 130207.... | 1 | CHOKE CONTROL |
| 13.. | 539 976934.... | 4 | HCS $\frac{5}{16}$ -18 x $\frac{3}{4}$ | 28.. | 539 101474.... | 2 | ZERK |
| 14.. | 539 990717.. | 37 | NUT $\frac{5}{16}$ -18 HEX NYLOC | | | | |
| 15.. | 539 990362.... | 4 | TFS $\frac{1}{4}$ -20 x $\frac{5}{8}$ | | | | |

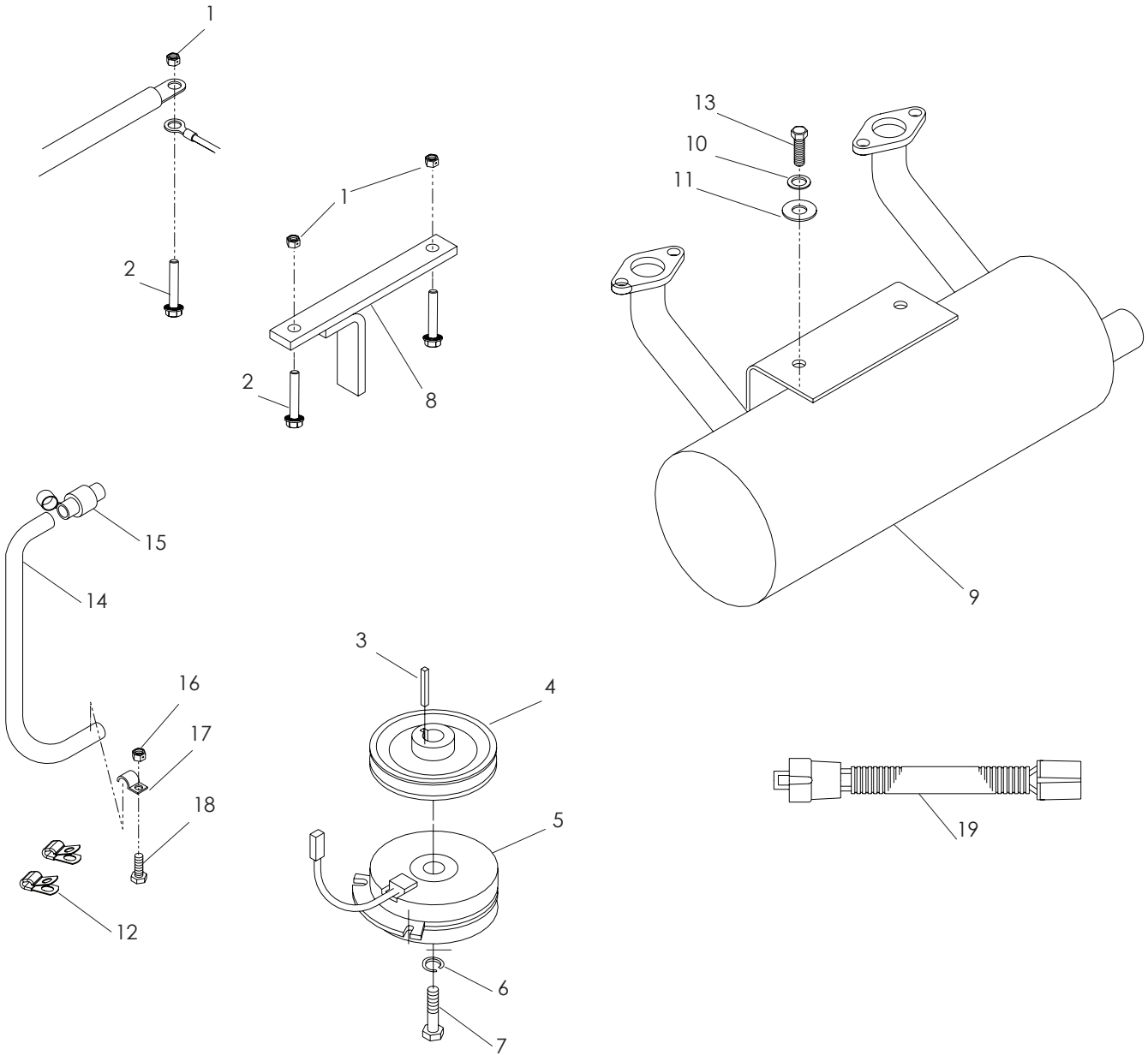
CHASSIS / FRAME



CHASSIS / FRAME

| ITEM | PART NO. | QTY. | DESCRIPTION | ITEM | PART NO. | QTY. | DESCRIPTION |
|------|----------------|------|--|------|----------------|------|----------------------------------|
| 1.. | 539 101176.... | 2 | PULLEY | 17.. | 539 990563.... | 2 | HCS $\frac{3}{8}$ -16 x 1 |
| 2.. | 539 101177.... | 2 | KEY | 18.. | 539 101331.... | 1 | NUT $\frac{1}{2}$ -13 HEX NYLOC |
| 3.. | 539 104334.... | 1 | BELT, PUMP | 19.. | 539 102717.... | 2 | SCREW, SET |
| 4.. | 539 103256.... | 1 | SPRING | 20.. | 539 130205.... | 1 | PIVOT, BEARING |
| 5.. | 539 104521.... | 2 | STRUT SPACER | 21.. | 539 976695.... | 1 | IDLER FLANGE BUSHING |
| 6.. | 539 104390.... | 2 | STRUT WELDMENT, REAR | 22.. | 539 990588.... | 1 | HCS $\frac{3}{8}$ -16 x 2 |
| 7.. | 539 132302.... | 1 | CROSS SHAFT | 23.. | 539 976998.... | 1 | ZERK |
| 8.. | 539 112634.... | 2 | SKID PLATE | 24.. | 539 990717.... | 1 | NUT $\frac{5}{16}$ -18 HEX NYLOC |
| 9.. | 539 990655.... | 1 | HCS $\frac{3}{8}$ -16 x $1\frac{1}{2}$ | 25.. | 539 976688.... | 1 | PULLEY, IDLER |
| 10.. | 539 976979.... | 1 | NUT $\frac{3}{8}$ -16 HEX NYLOC | 26.. | 539 111897.... | 1 | WASHER $\frac{3}{8}$ SPEC |
| 11.. | 539 990613.... | 1 | NUT $\frac{3}{8}$ -16 HEX WHIZLK | 27.. | 539 990122.... | 1 | WASHER $\frac{3}{8}$ SAE FLT |
| 12.. | 539 119007.... | 2 | BOLT, BLADE W/WASHER | 28.. | 539 990209.... | 1 | HCS $\frac{5}{16}$ -18 x 1 |
| 13.. | 539 990247.... | 2 | LOCKWASHER $\frac{7}{16}$ | 29.. | 539 130392.... | 1 | ARM, IDLER |
| 14.. | 539 990692.... | 2 | WASHER $\frac{5}{16}$ STD FLT | 30.. | 539 101341.... | 1 | HCS $\frac{3}{8}$ -16 x 3 |
| 15.. | 539 990517.... | 4 | WASHER $\frac{3}{8}$ STD FLT | 31.. | 539 102619.... | 2 | PIVOT PIN WELDMENT |
| 16.. | 539 103433.... | 4 | HCS $\frac{1}{2}$ -13 x $3\frac{1}{4}$ | | | | |

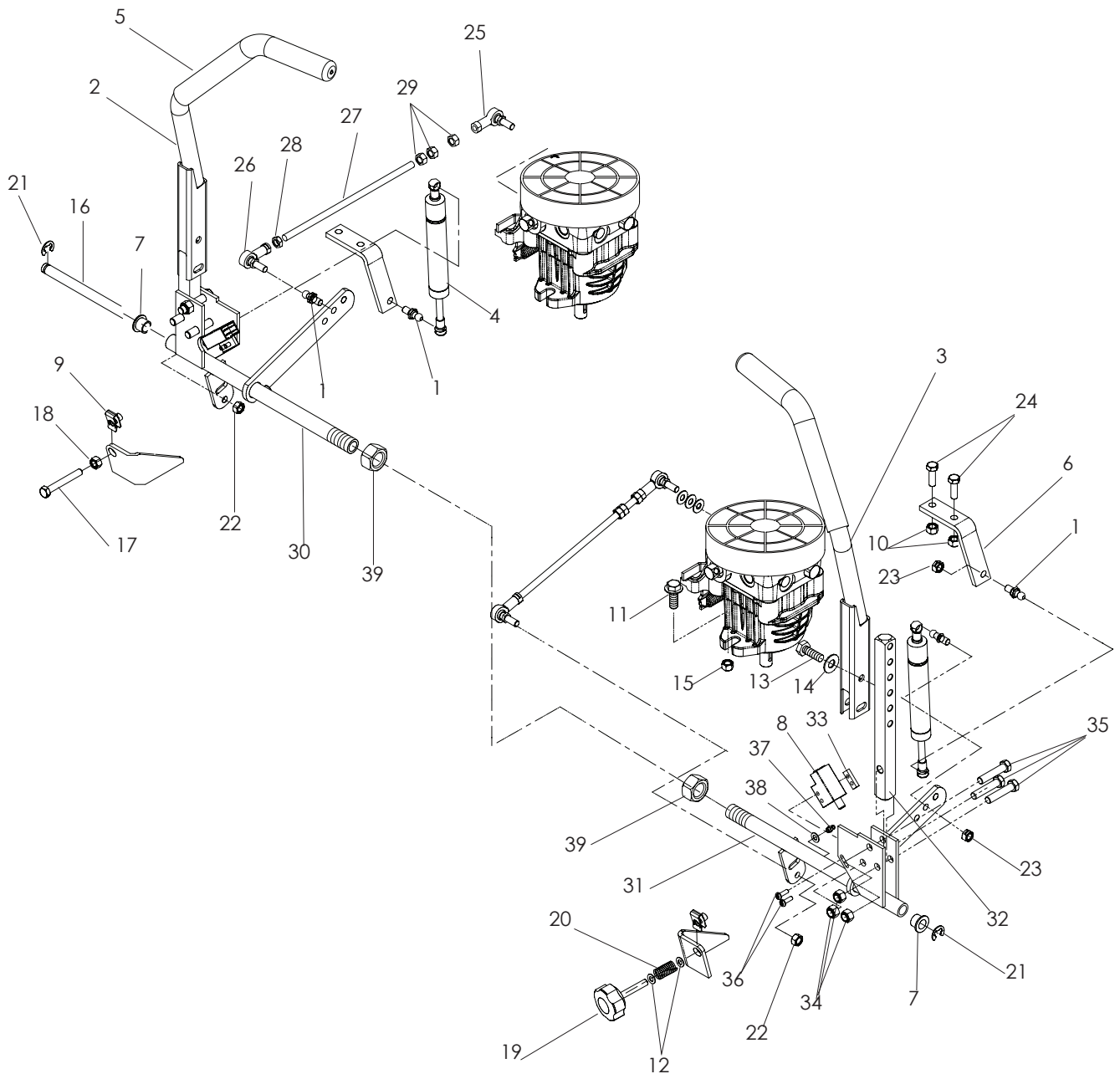
ENGINE PLATE



ENGINE PLATE

| ITEM | PART NO. | QTY. | DESCRIPTION | ITEM | PART NO. | QTY. | DESCRIPTION |
|------|----------------|------|--|------|----------------|------|--|
| 1.. | 539 990184.... | 6 | NUT $\frac{5}{16}$ -18 CENTERLOCK | 11.. | 539 990692.... | 2 | WASHER $\frac{5}{16}$ STD FLT |
| 2.. | 539 113781.... | 4 | HCS $\frac{5}{16}$ x $1\frac{3}{4}$ SERRATED | 12.. | 539 109867.... | 2 | CLAMP, DOUBLE TUBE |
| 3.. | 539 100152.... | 1 | KEY $\frac{1}{4}$ SQ | 13.. | 539 976934.... | 2 | HCS $\frac{5}{16}$ -18 x $\frac{3}{4}$ |
| 4.. | 539 106057.... | 1 | PULLEY | 14.. | 539 107937.... | 1 | OIL DRAIN HOSE |
| 5.. | 539 105406.... | 1 | CLUTCH | 15.. | 539 110093.... | 1 | OIL DRAIN FITTING |
| 6.. | 539 990247.... | 1 | LOCKWASHER $\frac{7}{16}$ | 16.. | 539 990761.... | 1 | NUT $\frac{1}{4}$ -20 CENTERLOCK |
| 7.. | 539 991120.... | 1 | HCS $\frac{7}{16}$ x $2\frac{1}{2}$ | 17.. | 539 101363.... | 1 | CLAMP |
| 8.. | 539 106819.... | 1 | TIE DOWN, CLUTCH | 18.. | 539 990580.... | 1 | HCS $\frac{1}{4}$ - 20 x $\frac{3}{4}$ |
| 9.. | 539 105896.... | 1 | MUFFLER | 19.. | 539 104416.... | 1 | PIGTAIL |
| 10.. | 539 990187.... | 2 | LOCKWASHER $\frac{5}{16}$ | | | | |

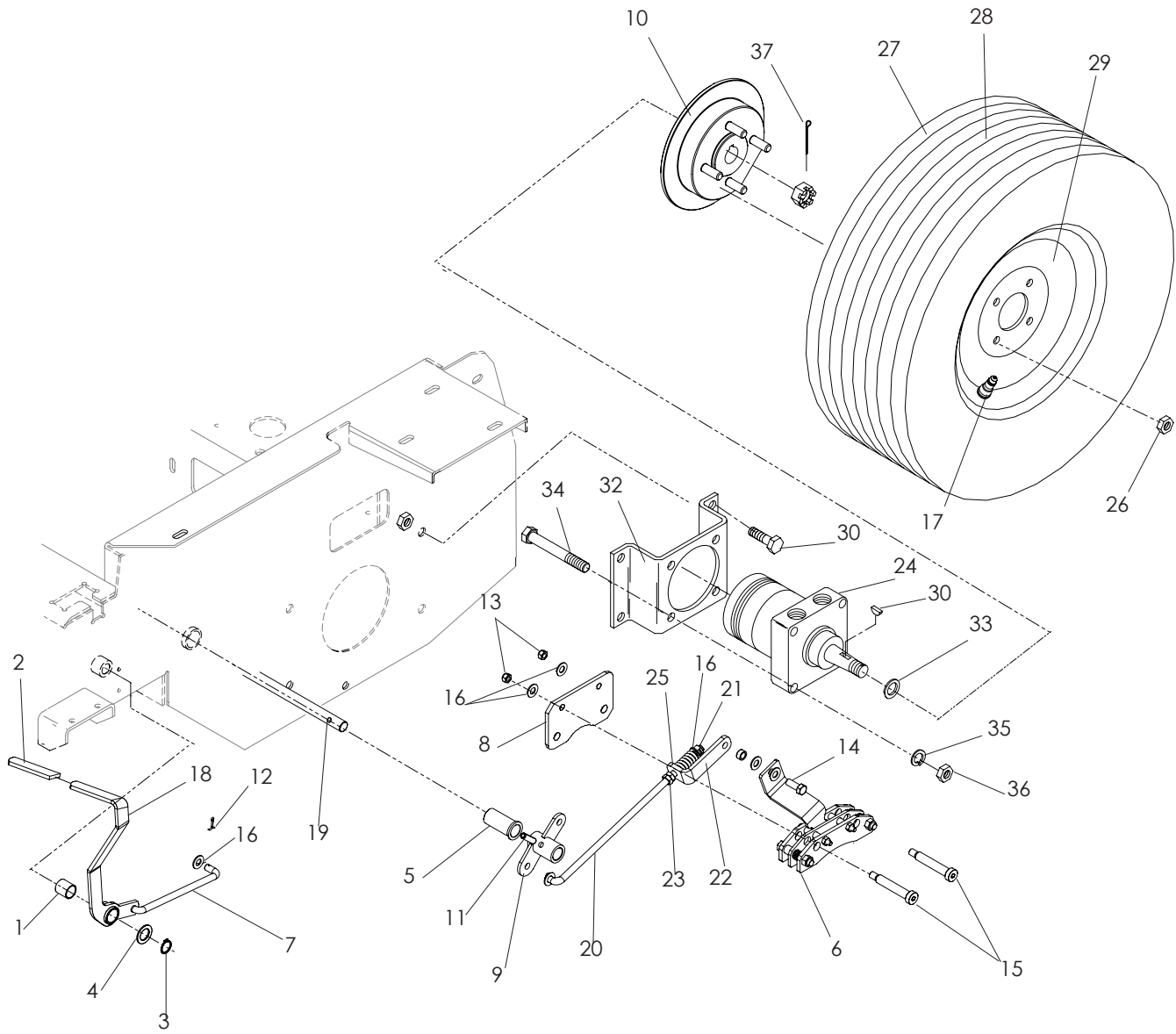
STEERING



STEERING

| ITEM | PART NO. | QTY. | DESCRIPTION | ITEM | PART NO. | QTY. | DESCRIPTION |
|------|------------|-------|-------------------------------|------|------------|-------|-----------------------------|
| 1.. | 539 110607 |4 | BALL STUD | 21.. | 539 101949 |2 | E-RING ½" |
| 2.. | 539 131623 |1 | DRIVE LEVER W/GRIP, RT | 22.. | 539 110943 |4 | NUT 5/16-24 NYLOC |
| 3.. | 539 131622 |1 | DRIVE LEVER W/GRIP, LT | 23.. | 539 990184 |4 | NUT 5/16-18 CENTERLOCK |
| 4.. | 539 131932 |2 | DAMPENER | 24.. | 539 990209 |4 | HCS 5/16-18 x 1 |
| 5.. | 539 130894 |2 | GRIP | 25.. | 539 110603 |1 | ROD END, RT |
| 6.. | 539 111074 |2 | BRACKET, DAMPENER | 26.. | 539 110604 |1 | ROD END, LT |
| 7.. | 539 102519 |2 | BUSHING | 27.. | 539 105279 |1 | LINKAGE, TRACKING |
| 8.. | 539 101080 |2 | SWITCH, INTERLOCK | 28.. | 539 991073 |1 | NUT 5/16-24 LH JAM |
| 9.. | 539 104763 |2 | U CLIP 5/16-18 | 29.. | 539 990223 |3 | NUT 5/16-24 |
| 10.. | 539 990717 |4 | NUT 5/16-18 HEX NYLOC | 30.. | 539 130701 |1 | CONTROL, RT |
| 11.. | 539 990582 |4 | HCS 3/8-16 x 1 WHIZLK | 31.. | 539 130702 |1 | CONTROL, LT |
| 12.. | 539 990692 |2 | WASHER 5/16 STD FLT | 32.. | 539 110638 |1 | ARM, CONTROL SHAFT |
| 13.. | 539 990563 |4 | HCS 3/8-16 x 1 | 33.. | 539 102678 |1 | PLATE, SCREW |
| 14.. | 539 102593 |4 | WASHER, SPRING 3/8 | 34.. | 539 976979 |3 | NUT 3/8-16 HEX NYLOC |
| 15.. | 539 990546 |4 | NUT 3/8-16 CENTERLOCK | 35.. | 539 990730 |2 | HCS 3/8-16 x 1¾ |
| 16.. | 539 110833 |1 | CONTROL SHAFT | 36.. | 539 976952 |2 | SCREW 10-24 x 5/8 |
| 17.. | 539 108394 |1 | HCS 5/16-18 x 1¾ TAPBOLT | 37.. | 539 976998 |1 | ZERK |
| 18.. | 539 990196 |1 | NUT 5/16-18 | 38.. | 539 103547 |1 | WASHER |
| 19.. | 539 103003 |1 | KNOB | 39.. | 539 990820 |2 | NUT ¾-16 CENTERLOCK |
| 20.. | 539 111039 |1 | SPRING | | | | |

PARKING BRAKE

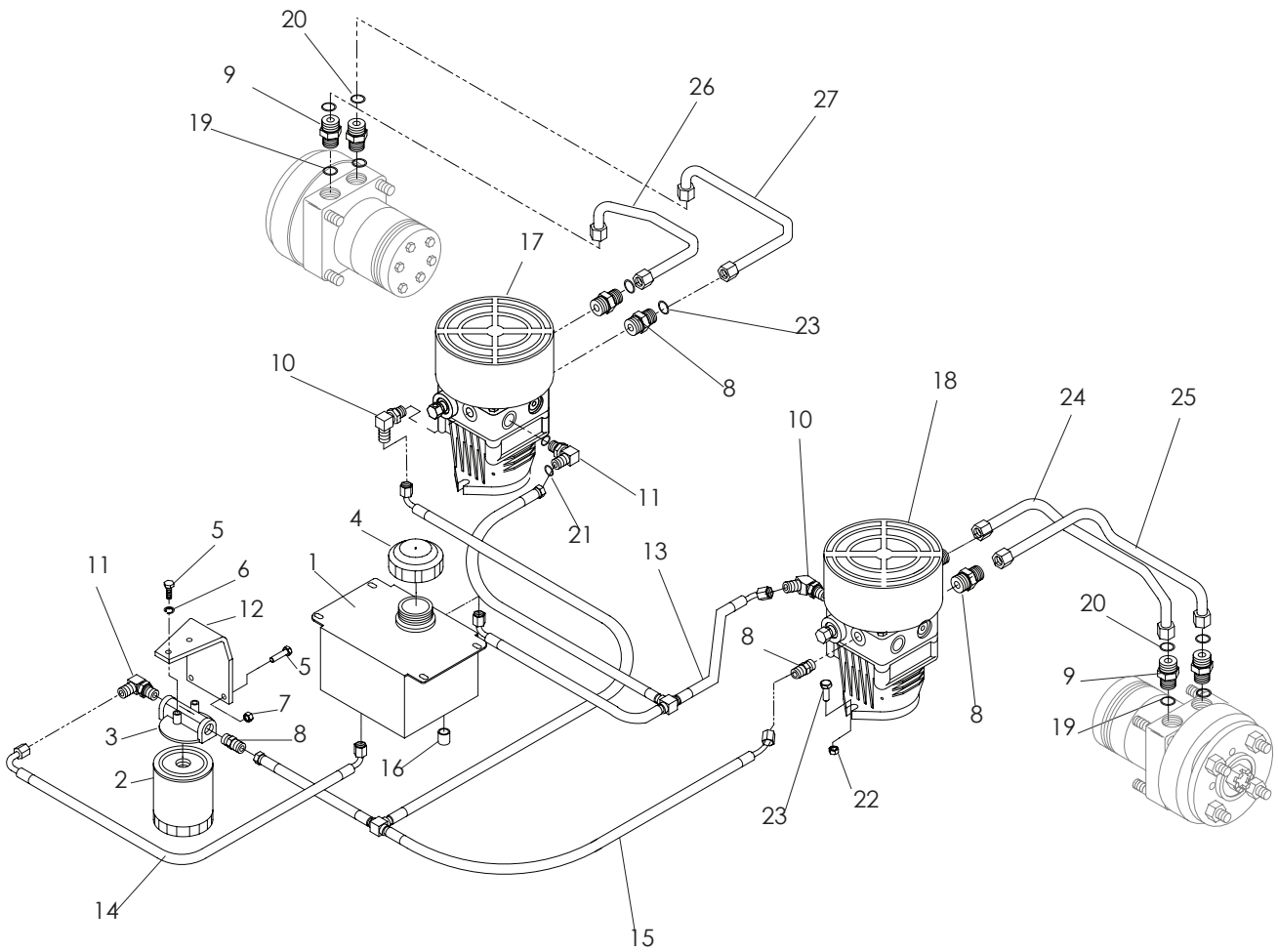


PARKING BRAKE

115117027R0

| ITEM | PART NO. | QTY. | DESCRIPTION | ITEM | PART NO. | QTY. | DESCRIPTION |
|------|-----------------|------|--------------------------|-----------------------------|-----------------|------|--|
| 1.. | 539 108619....1 | | BUSHING | 21.. | 539 990289....1 | | NUT 3/8-24 CENTERLOCK |
| 2.. | 539 105036....1 | | GRIP | 22.. | 539 113950....1 | | BRACKET, L |
| 3.. | 539 101151....1 | | RING, RETAINING 7/8 | 23.. | 539 108732....2 | | NUT 3/8-24 JAM |
| 4.. | 539 923787....1 | | BUSHING, MACHINE | 24.. | 539 114523....2 | | WHEEL MOTOR, TJ |
| 5.. | 539 113479....2 | | BUSHING, POLYMER 3/4 x 2 | 25.. | 539 113952....1 | | SPRING |
| 6.. | 539 133047....2 | | CALIPER | 26.. | 539 101173....8 | | NUT 1/2-20 HEX LUG |
| 7.. | 539 113947....1 | | LINKAGE, BRAKE | 27.. | 539 112592....2 | | TIRE, COMPLETE |
| 8.. | 539 113948....2 | | PLATE, BRAKE | 28.. | 539 112599....2 | | TIRE, 23 x 9.5-12 |
| 9.. | 539 113946....2 | | BELLCRANK, BRAKE | 29.. 510 253001....2 | | | RIM, OFFSET 1" |
| 10.. | 539 113945....2 | | HUB | 30.. | 539 105278....2 | | KEY, WOODRUFF |
| 11.. | 539 110631....2 | | PIN, ROLL, 5/16" DIA. | 31.. | 539 101331....8 | | NUT 1/2-13 HEX NYLOC |
| 12.. | 539 990037....4 | | PIN, COTTER 3/32 x 3/4 | 32.. | 539 132300....1 | | STANDOFF, WHEEL MOTOR |
| 13.. | 539 200282....6 | | NUT 3/8-16 JAM NYLOC | 33.. | 539 916561....1 | | BUSHING, MACHINE, 1" |
| 14.. | 539 990563....2 | | HCS 3/8-16 x 1 | 34.. | 539 101332....4 | | HCS 1/2-13 x 2 3/4 |
| 15.. | 539 113951....4 | | SB 3/8-16 x 2 1/2 SKT HD | 35.. | 539 990254....4 | | LOCKWASHER 1/2 |
| 16.. | 539 990122...12 | | WASHER 3/8 SAE FLT | 36.. | 539 990258....4 | | NUT 1/2-13 HEX |
| 17.. | 539 912234....1 | | VALVE STEM | 37.. | 539 104288....1 | | PIN, COTTER |
| 18.. | 539 108616....1 | | BRAKE LEVER | | | | NOT SHOWN |
| 19.. | 539 110624....1 | | SHAFT, CROSS | | | | ...539 990622.... 8.... HFCS 1/2-13 x 1 1/4 WHIZLK |
| 20.. | 539 113949....1 | | LINKAGE, REAR BRAKE | | | | |

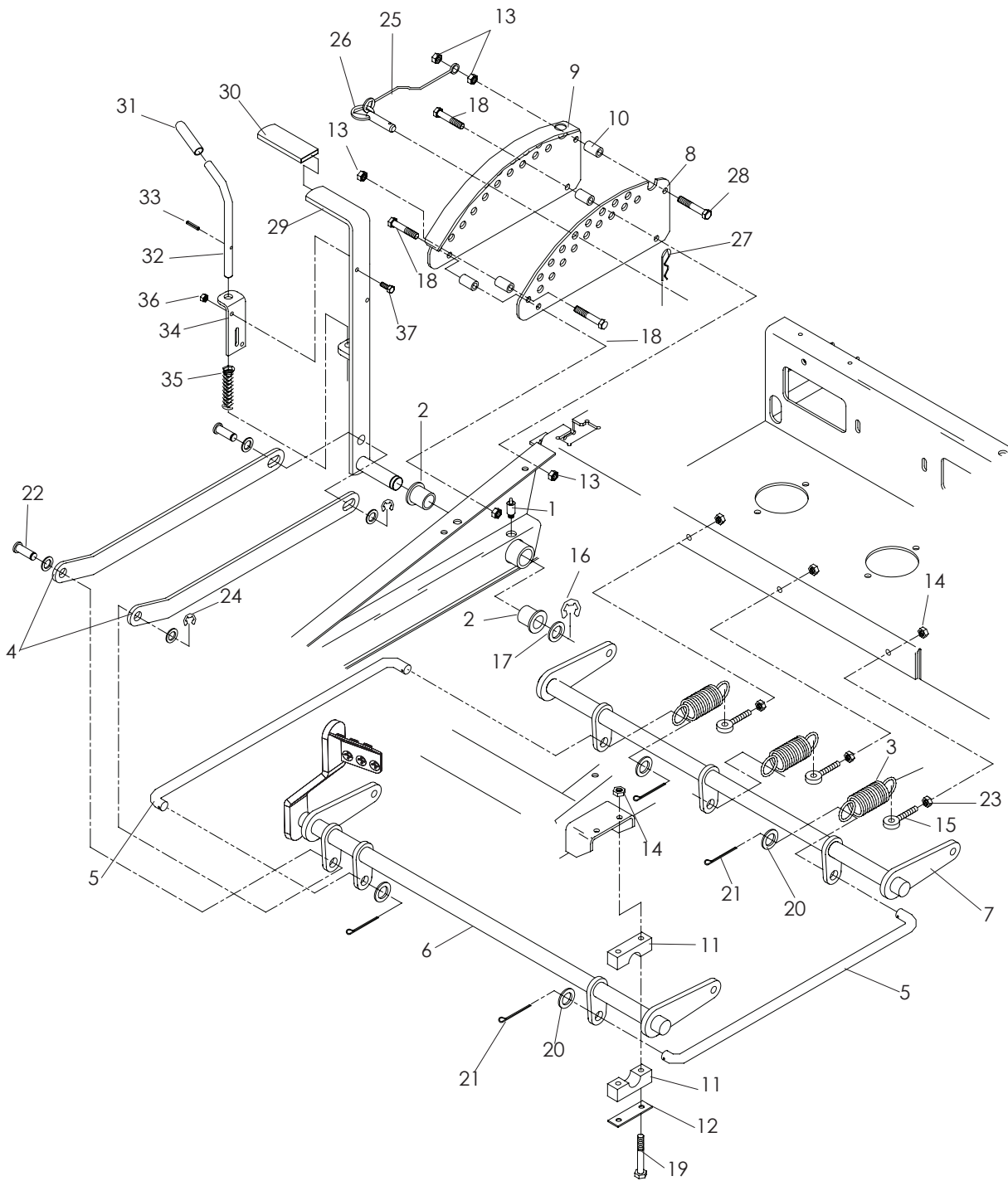
HYDRAULIC PUMP - MOTOR



HYDRAULIC PUMP - MOTOR

| ITEM | PART NO. | QTY. | DESCRIPTION | ITEM | PART NO. | QTY. | DESCRIPTION |
|------|----------------|------|----------------------|------|----------------|------|-----------------------|
| 1.. | 539 105024... | 1 | OIL TANK | 15.. | 539 132289.... | 1 | 'T' ASSEMBLY, SUPPLY |
| 2.. | 539 102606.... | 1 | FILTER | 16.. | 539 105168.... | 1 | CAP |
| 3.. | 539 101165.... | 1 | FILTER HEAD | 17.. | 539 132143.... | 1 | PUMP W/FANS, 10CC, RT |
| 4.. | 539 101202.... | 1 | CAP, HYDRAULIC | 18.. | 539 132142.... | 1 | PUMP W/FANS, 10CC, LT |
| 5.. | 539 990580.... | 4 | HCS ¼- 20 x ¾ | 19.. | 539 103114.... | 4 | O RING |
| 6.. | 539 990052.... | 2 | LOCKWASHER ¼ | 20.. | 539 103119.... | 8 | O RING |
| 7.. | 539 976978.... | 2 | NUT ¼-20 HEX NYLOC | 21.. | 539 103118.... | 8 | O RING |
| 8.. | 539 113782.... | 4 | HYDRAULIC FITTING | 22.. | 539 990546.... | 5 | NUT ¾-16 CENTERLOCK |
| 9.. | 539 102396.... | 4 | STRAIGHT FITTING | 23.. | 539 990582.... | 4 | HCS ¾-16 x 1 WHIZLK |
| 10.. | 539 132316.... | 2 | F6802-6-6-0 | 24.. | 539 132284.... | 1 | HYDRAULIC LINE |
| 11.. | 539 101238.... | 4 | F6801-6-6-0 | 25.. | 539 132285.... | 1 | HYDRAULIC LINE |
| 12.. | 539 106933.... | 1 | BRACKET, FILTER | 26.. | 539 132286.... | 1 | HYDRAULIC LINE |
| 13.. | 539 132290.... | 1 | 'T' ASSEMBLY, RETURN | 27.. | 539 132287.... | 1 | HYDRAULIC LINE |
| 14.. | 539 132288.... | 1 | HOSE | | | | |

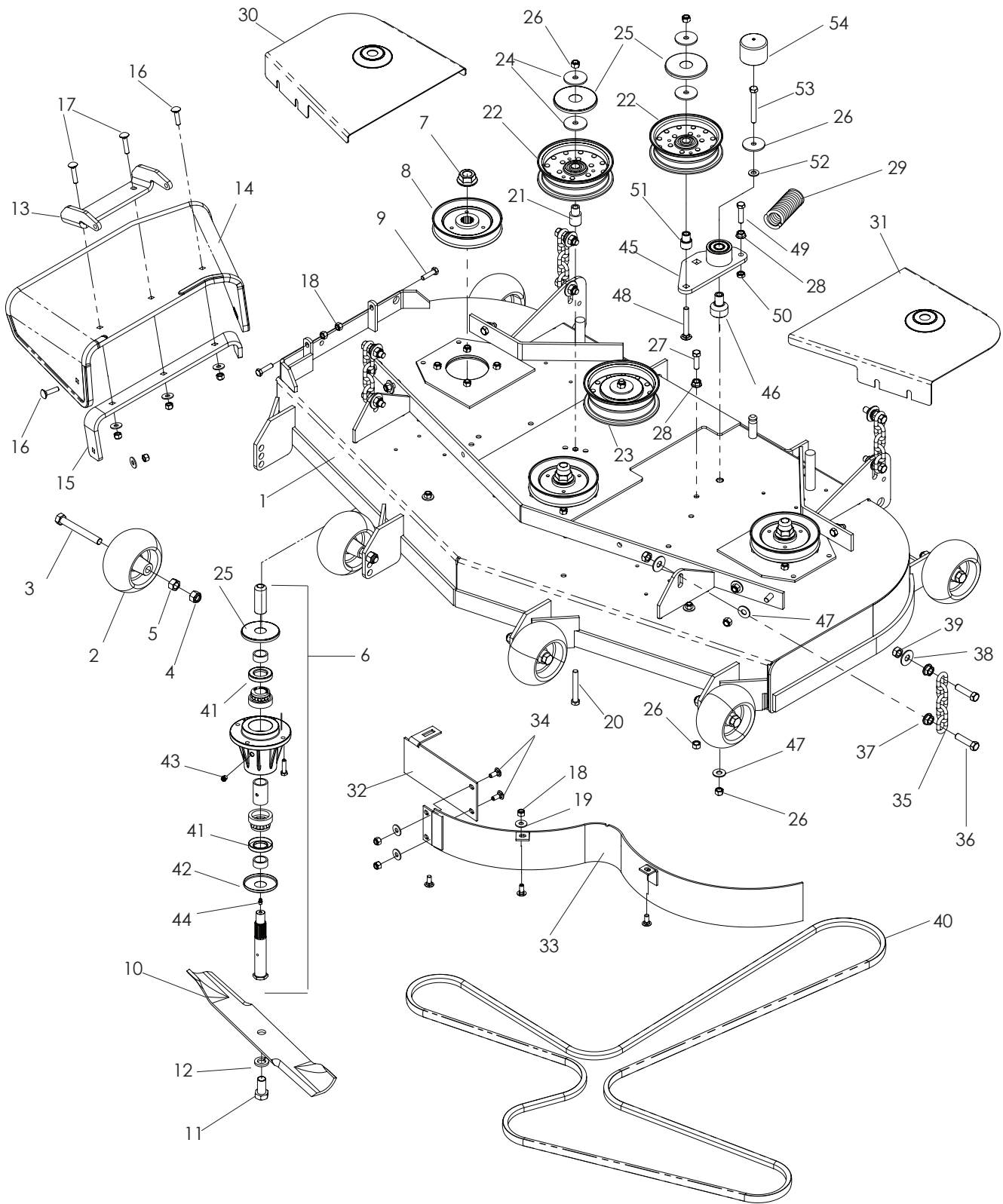
MOWER LIFT / DECK LIFT



MOWER LIFT / DECK LIFT

| ITEM | PART NO. | QTY. | DESCRIPTION | ITEM | PART NO. | QTY. | DESCRIPTION |
|------|----------------|------|---|------|----------------|------|---|
| 1.. | 539 104761.... | 1 | ZERK, LONG | 20.. | 539 976982.... | 4 | WASHER $\frac{5}{8}$ SAE |
| 2.. | 539 101232.... | 2 | BUSHING, FLANGE | 21.. | 539 990654.... | 4 | PIN, COTTER $\frac{5}{32}$ x $1\frac{1}{4}$ |
| 3.. | 539 104760.... | 3 | SPRING, DECK LIFT | 22.. | 539 105060.... | 2 | PIN, CLEVIS $\frac{5}{8}$ |
| 4.. | 539 105050.... | 2 | LINKAGE, LIFT | 23.. | 539 990585.... | 3 | NUT $\frac{5}{16}$ -18 WHIZ |
| 5.. | 539 104310.... | 2 | LINK, CONNECTING | 24.. | 539 105069.... | 2 | E-RING $\frac{5}{8}$ |
| 6.. | 539 132170.... | 1 | SHAFT ASSM W/PEDAL, FT | 25.. | 539 105059.... | 1 | LANYARD |
| 7.. | 539 108354.... | 1 | SHAFT, REAR LIFT | 26.. | 539 102526.... | 1 | PIN, HITCH |
| 8.. | 539 104323.... | 1 | PLATE, ADJUSTMENT | 27.. | 539 976989.... | 1 | PIN, HAIR |
| 9.. | 539 104321.... | 1 | PLATE, ADJUSTMENT | 28.. | 539 102612.... | 1 | HCS $\frac{3}{8}$ -16 x $2\frac{3}{4}$ |
| 10.. | 539 104530.... | 4 | SPACER, DECK LIFT | 29.. | 539 108322.... | 1 | LEVER, LIFT |
| 11.. | 539 104808.... | 8 | BLOCKS, PILLOW | 30.. | 539 102515.... | 1 | CUSHION, HANDLE |
| 12.. | 539 104807.... | 4 | PLATE, SUPPORT | 31.. | 539 101050.... | 1 | GRIP, VINYL |
| 13.. | 539 976979.... | 8 | NUT $\frac{3}{8}$ -16 HEX NYLOC | 32.. | 539 104523.... | 1 | PIN, LOCKING |
| 14.. | 539 990717.... | 8 | NUT $\frac{5}{16}$ -18 HEX NYLOC | 33.. | 539 106532.... | 1 | PIN, GROOVED |
| 15.. | 539 101982.... | 3 | EYEBOLT $\frac{5}{16}$ RH x $1\frac{9}{16}$ | 34.. | 539 103534.... | 1 | PIN MOUNT, UPPER |
| 16.. | 539 101802.... | 1 | E-RING $\frac{7}{8}$ | 35.. | 539 101058.... | 1 | SPRING, COMPRESSION |
| 17.. | 539 923787.... | 1 | BUSHING, MACHINE | 36.. | 539 990761.... | 2 | NUT $\frac{1}{4}$ -20 CENTERLOCK |
| 18.. | 539 990637.... | 3 | HCS $\frac{3}{8}$ -16 x $2\frac{1}{2}$ | 37.. | 539 990580.... | 2 | HCS $\frac{1}{4}$ - 20 x $\frac{3}{4}$ |
| 19.. | 539 101721.... | 8 | HCS $\frac{5}{16}$ -18 x $2\frac{3}{4}$ | | | | |

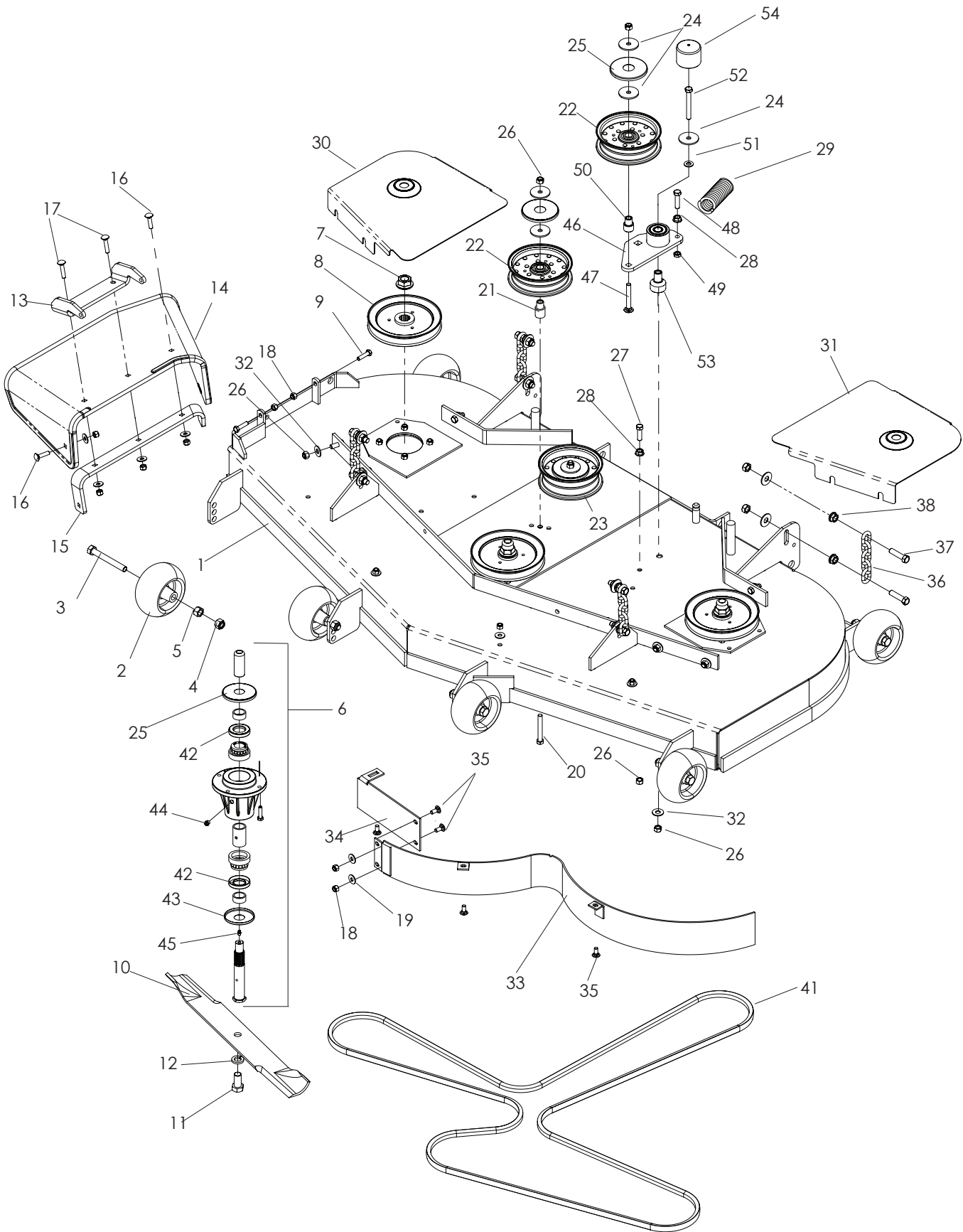
52" DECK



52" DECK

| ITEM | PART NO. | QTY. | DESCRIPTION | ITEM | PART NO. | QTY. | DESCRIPTION |
|------|------------|------|--|------|------------|------|--|
| 1.. | 510 063102 | ...1 | ...DECK W/DECALS | 28.. | 539 990613 | ...2 | ...NUT $\frac{3}{8}$ -16 HEX WHIZLK |
| 2.. | 539 107610 | ...6 | ...WHEEL, GAUGE | 29.. | 539 105192 | ...1 | ...SPRING |
| 3.. | 539 108366 | ...6 | ...HCS $\frac{1}{2}$ -13 x 4 | 30.. | 539 108908 | ...1 | ...SHIELD RT 52 |
| 4.. | 539 101331 | ...6 | ...NUT $\frac{1}{2}$ -13 HEX NYLOC | 31.. | 539 108910 | ...1 | ...SHIELD LT 52 |
| 5.. | 539 990258 | ...6 | ...NUT $\frac{1}{2}$ -13 HEX | 32.. | 539 105457 | ...1 | ...BAFFLE MAIN |
| 6.. | 539 131383 | ...3 | ...HOUSING ASSM, 52/61 | 33.. | 539 105453 | ...1 | ...BAFFLE CENTER |
| 7.. | 539 130653 | ...3 | ...NUT, FLANGE $\frac{3}{4}$ -16 | 34.. | 539 990316 | ...5 | ...RHSNB $\frac{5}{16}$ -18 x $\frac{3}{4}$ |
| 8.. | 539 112124 | ...3 | ...PULLEY, 52 | 35.. | 539 102641 | ...4 | ...LIFT CHAIN |
| 9.. | 539 990627 | .14 | ...HCS $\frac{5}{16}$ -18 x $1\frac{1}{4}$ | 36.. | 539 108073 | ...8 | ...HCS $\frac{7}{16}$ -14 x $1\frac{3}{4}$ |
| 10.. | 539 100341 | ...3 | ...BLADE, 18" | 37.. | 539 102582 | ...8 | ...NUT $\frac{7}{16}$ -14 HEX WHIZLK |
| 11.. | 539 103299 | ...3 | ...HCS $\frac{5}{8}$ -18 x $1\frac{1}{4}$ | 38.. | 539 104864 | ...8 | ...WASHER $\frac{7}{16}$ FLAT |
| 12.. | 539 990333 | ...3 | ...WASHER $\frac{5}{8}$ SLW | 39.. | 539 119124 | ...8 | ...NUT $\frac{7}{16}$ -14 HEX NYLOC |
| 13.. | 539 130917 | ...1 | ...PIVOT BRACKET, CHUTE | 40.. | 539 104335 | ...1 | ...BELT, DECK 52" |
| 14.. | 539 130901 | ...1 | ...RUBBER CHUTE, 52/61 | 41.. | 539 108754 | ...2 | ...SHAFT SEAL |
| 15.. | 539 130920 | ...1 | ...BRACKET, REINFORCE | 42.. | 539 108449 | ...1 | ...BOTTOM DUST CAP |
| 16.. | 539 100472 | ...2 | ...RHSNB $\frac{5}{16}$ -18 x $1\frac{1}{4}$ | 43.. | 539 977326 | ...1 | ...GREASE POPPET |
| 17.. | 539 102933 | ...2 | ...RHSNB $\frac{5}{16}$ -18 x $1\frac{1}{2}$ | 44.. | 539 101474 | ...1 | ...ZERK |
| 18.. | 539 990717 | .23 | ...NUT $\frac{5}{16}$ -18 HEX NYLOC | 45.. | 539 130391 | ...1 | ...ARM, IDLER, W/BEARINGS |
| 19.. | 539 990692 | ...9 | ...WASHER $\frac{5}{16}$ STD FLT | 46.. | 539 130205 | ...1 | ...PIVOT, BEARING |
| 20.. | 539 102612 | ...2 | ...HCS $\frac{3}{8}$ -16 x $2\frac{3}{4}$ | 47.. | 539 990517 | ...7 | ...WASHER $\frac{3}{8}$ STD FLT |
| 21.. | 539 103295 | ...2 | ...BUSHING, IDLER | 48.. | 539 130235 | ...1 | ...RHSNB $\frac{3}{8}$ -16 x $2\frac{3}{4}$ |
| 22.. | 539 103257 | ...1 | ...PULLEY, IDLER | 49.. | 539 107042 | ...1 | ...HCS $\frac{3}{8}$ -16 x $1\frac{1}{2}$ GR 8 |
| 23.. | 539 103258 | ...1 | ...PULLEY, IDLER (TALL) | 50.. | 539 109332 | ...1 | ...NUT $\frac{3}{8}$ -16 HEX JAM |
| 24.. | 539 111897 | ...4 | ...WASHER $\frac{3}{8}$ SPECIAL | 51.. | 539 130242 | ...1 | ...BUSHING, IDLER |
| 25.. | 539 108450 | ...4 | ...TOP DUST CAP | 52.. | 539 990122 | ...1 | ...WASHER $\frac{3}{8}$ SAE FLT |
| 26.. | 539 976979 | .11 | ...NUT $\frac{3}{8}$ -16 HEX NYLOC | 53.. | 539 101341 | ...1 | ...HCS $\frac{3}{8}$ -16 x 3 |
| 27.. | 539 976941 | ...1 | ...HCS $\frac{3}{8}$ -16 x $1\frac{1}{4}$ | 54.. | 539 114823 | ...1 | ...CAP, VINYL |

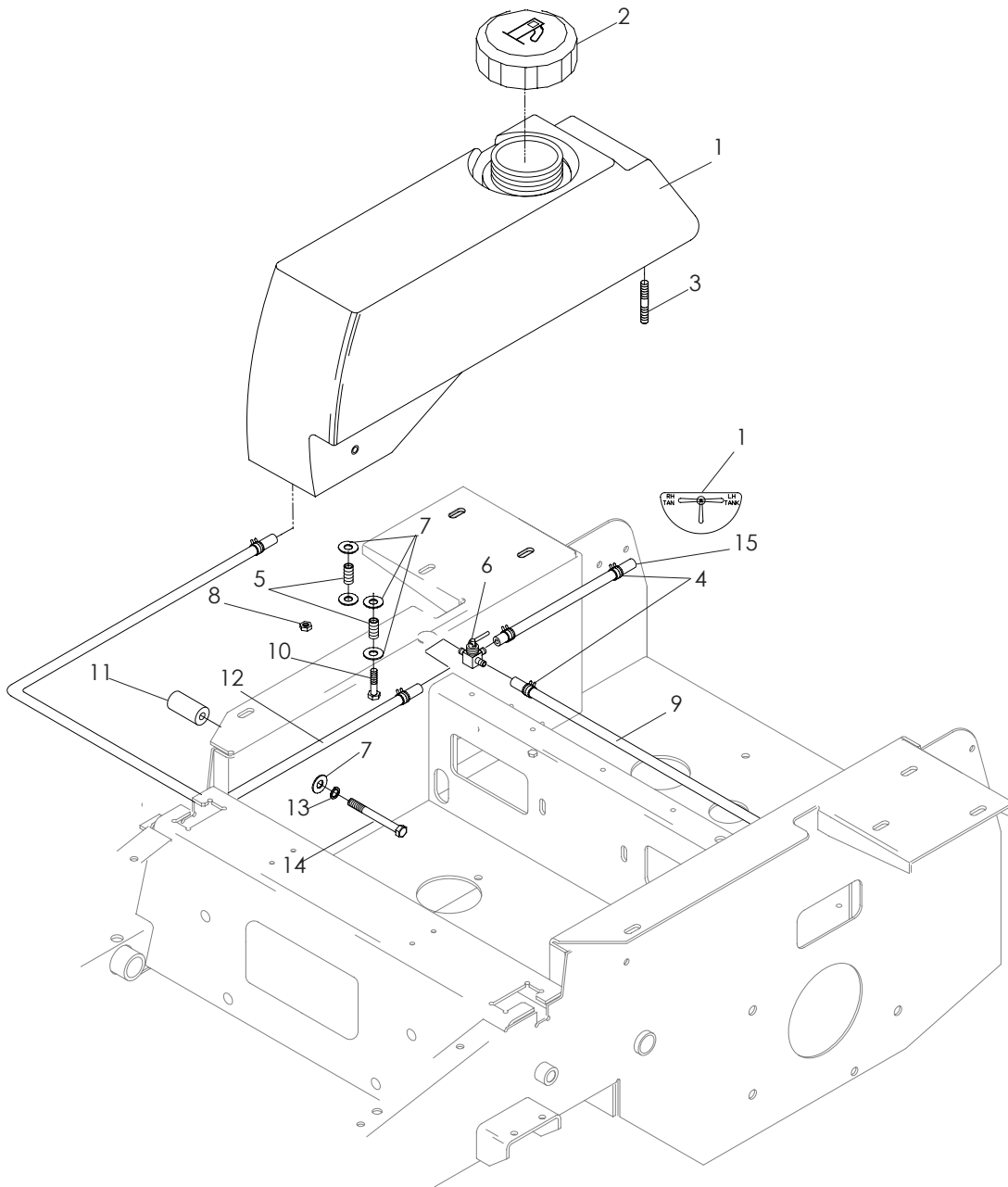
61" DECK



61" DECK

| ITEM | PART NO. | QTY. | DESCRIPTION | ITEM | PART NO. | QTY. | DESCRIPTION |
|------|------------|-------|--|------|------------|-------|--|
| 1.. | 510 063302 | ...1 | DECK W/DECALS | 28.. | 539 990613 |2 | NUT $\frac{3}{8}$ -16 HEX WHIZLK |
| 2.. | 539 107610 |6 | WHEEL, GAUGE | 29.. | 539 105192 |1 | SPRING |
| 3.. | 539 108366 |6 | HCS $\frac{1}{2}$ -13 x 4 | 30.. | 539 108611 |1 | 61 BELTSHIELD RT. |
| 4.. | 539 101331 |6 | NUT $\frac{1}{2}$ -13 HEX NYLOC | 31.. | 539 108610 |1 | 61 BELTSHIELD LT |
| 5.. | 539 990258 |6 | NUT $\frac{1}{2}$ -13 HEX | 32.. | 539 990517 |6 | WASHER $\frac{3}{8}$ STD FLT |
| 6.. | 539 131383 |3 | HOUSING ASSM, 52/61 | 33.. | 539 105465 |1 | BAFFLE MAIN |
| 7.. | 539 130653 |3 | NUT, FLANGE $\frac{3}{4}$ -16 | 34.. | 539 105461 |1 | BAFFLE CENTER |
| 8.. | 539 112125 |3 | PULLEY, 61 | 35.. | 539 990316 |5 | RHSNB $\frac{5}{16}$ -18 x $\frac{3}{4}$ |
| 9.. | 539 990627 | ..14 | HCS $\frac{5}{16}$ -18 x $1\frac{1}{4}$ | 36.. | 539 102641 |4 | LIFT CHAIN |
| 10.. | 539 101733 |3 | BLADE, 21" | 37.. | 539 108073 |8 | HCS $\frac{7}{16}$ -14 x $1\frac{3}{4}$ |
| 11.. | 539 103299 |3 | HCS $\frac{5}{8}$ -18 x $1\frac{1}{4}$ | 38.. | 539 102582 |8 | NUT $\frac{7}{16}$ -14 HEX WHIZ LK |
| 12.. | 539 990333 |3 | WASHER $\frac{5}{8}$ SLW | 39.. | 539 104864 |8 | WASHER $\frac{7}{16}$ FLAT |
| 13.. | 539 130917 |1 | PIVOT BRACKET, CHUTE | 40.. | 539 119124 |8 | NUT $\frac{7}{16}$ -14 HEX NYLOC |
| 14.. | 539 130901 |1 | RUBBER CHUTE, 52/61 | 41.. | 539 104336 |1 | BELT, DECK 61" |
| 15.. | 539 130920 |1 | BRACKET, REINFORCE | 42.. | 539 108754 |2 | SHAFT SEAL |
| 16.. | 539 100472 |2 | RHSNB $\frac{5}{16}$ -18 x $1\frac{1}{4}$ | 43.. | 539 108449 |1 | BOTTOM DUST CAP |
| 17.. | 539 102933 |2 | RHSNB $\frac{5}{16}$ -18 x $1\frac{1}{2}$ | 44.. | 539 977326 |1 | GREASE POPPET |
| 18.. | 539 990717 | ..23 | NUT $\frac{5}{16}$ -18 HEX NYLOC | 45.. | 539 101474 |1 | ZERK |
| 19.. | 539 990692 |9 | WASHER $\frac{5}{16}$ STD FLT | 46.. | 539 130391 |1 | ARM, IDLER - W/BEARINGS |
| 20.. | 539 102612 |2 | HCS $\frac{3}{8}$ -16 x $2\frac{3}{4}$ | 47.. | 539 130235 |1 | RHSNB $\frac{3}{8}$ -16 x $2\frac{3}{4}$ |
| 21.. | 539 103295 |2 | BUSHING, IDLER | 48.. | 539 107042 |1 | HCS $\frac{3}{8}$ -16 x $1\frac{1}{2}$ GR 8 |
| 22.. | 539 103257 |1 | IDLER PULLEY | 49.. | 539 109332 |1 | NUT $\frac{3}{8}$ -16 HEX JAM |
| 23.. | 539 103258 |1 | IDLER PULLEY (TALL) | 50.. | 539 130242 |1 | BUSHING, IDLER |
| 24.. | 539 111897 |4 | WASHER $\frac{3}{8}$ SPECIAL | 51.. | 539 990122 |1 | WASHER $\frac{3}{8}$ SAE FLT |
| 25.. | 539 108450 |4 | TOP DUST CAP | 52.. | 539 101341 |1 | HCS $\frac{3}{8}$ -16 x 3 |
| 26.. | 539 976979 | ..11 | NUT $\frac{3}{8}$ -16 HEX NYLOC | 53.. | 539 130205 | ...1 | ... PIVOT, BEARING |
| 27.. | 539 976941 |1 | HCS $\frac{3}{8}$ -16 x $1\frac{1}{4}$ | 54.. | 539 114823 | ...1 | ... CAP, VINYL |

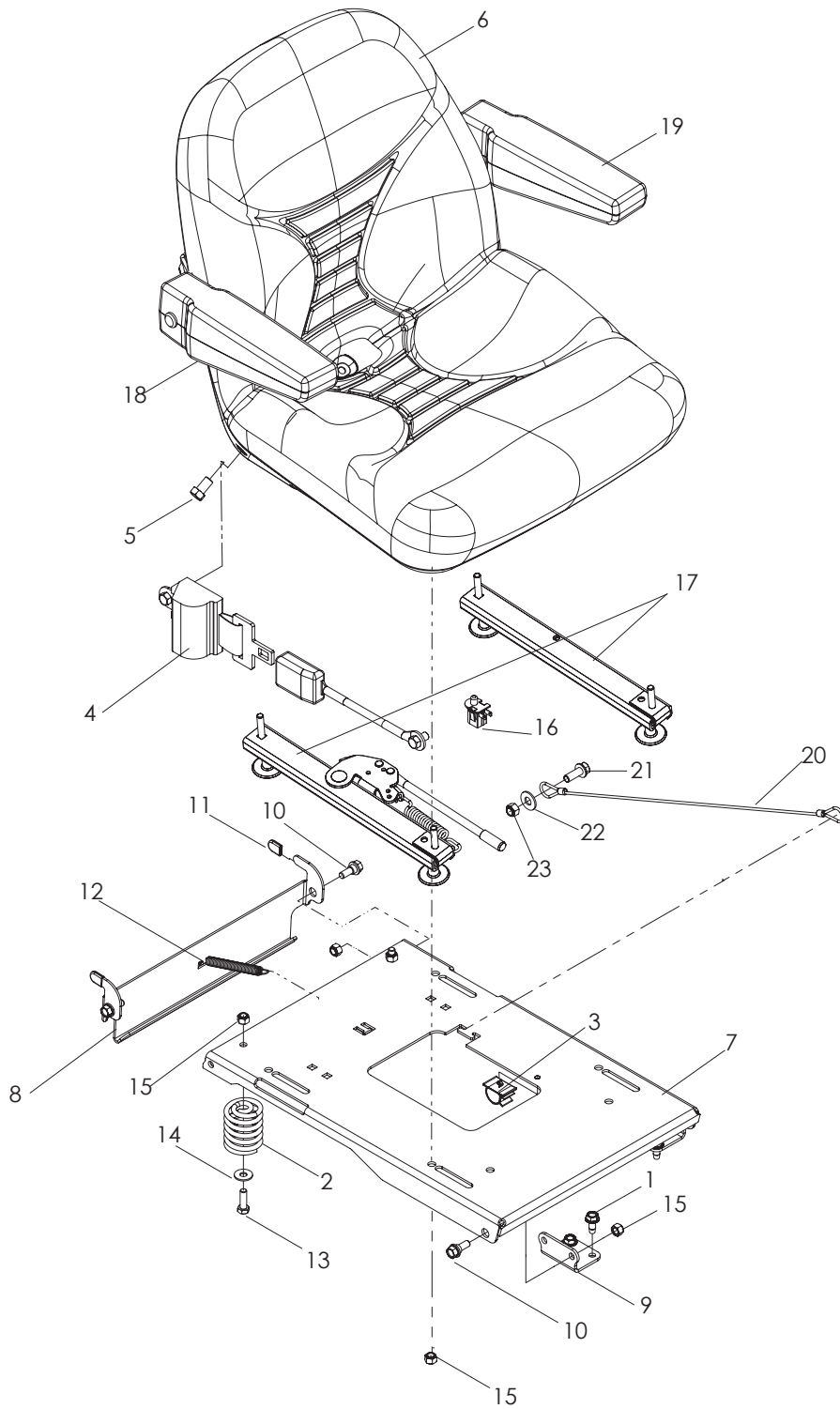
FUEL SYSTEM



FUEL SYSTEM

| ITEM | PART NO. | QTY. | DESCRIPTION | ITEM | PART NO. | QTY. | DESCRIPTION |
|------|-----------------|------|---|------|-----------------|------|--|
| 1.. | 539 104410....1 | | FUEL TANK RT | 9.. | 539 105280....1 | | FUEL LINE |
| | 539 104409....1 | | FUEL TANK LT | 10.. | 539 990209....2 | | HCS ⁵ / ₁₆ -18 x 1 |
| 2.. | 539 106188....2 | | FUEL CAP | 11.. | 539 104897....2 | | TANK SP ACER |
| 3.. | 539 102502....6 | | STUD | 12.. | 539 922091....1 | | FUEL LINE |
| 4.. | 539 912222....6 | | HOSE CLAMP | 13.. | 539 990187....2 | | WASHER ⁵ / ₁₆ LOCK |
| 5.. | 539 102845....8 | | SPRING | 14.. | 539 102335....2 | | HCS ⁵ / ₁₆ -18 x 4 |
| 6.. | 539 102679....1 | | FUEL VALVE | 15.. | 539 108212....1 | | FUEL LINE |
| 7.. | 539 990692..18 | | WASHER ⁵ / ₁₆ STD FLT | 16.. | 539 102670....1 | | DECAL, FUEL LINE |
| 8.. | 539 990184....8 | | NUT ⁵ / ₁₆ -18 CENTERLOCK | | | | |

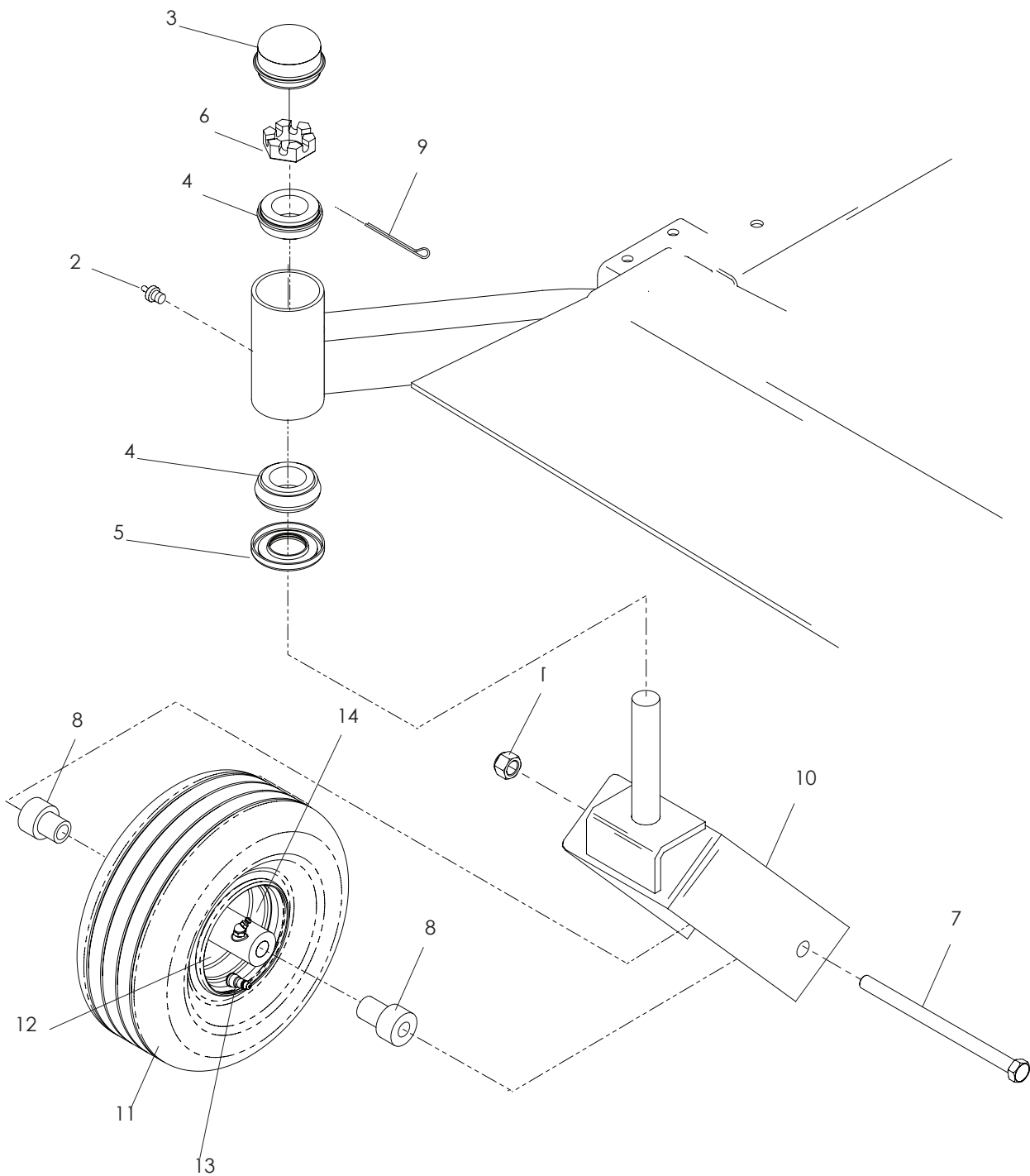
SEAT



SEAT

| ITEM | PART NO. | QTY. | DESCRIPTION | ITEM | PART NO. | QTY. | DESCRIPTION |
|------|----------------|------|---|------|----------------|------|---|
| 1.. | 539 107475.... | 4 | BOLT ⁵ / ₁₆ -18 x ³ / ₄ THD FRM | 13.. | 539 990209.... | 2 | HCS ⁵ / ₁₆ -18 x 1 |
| 2.. | 539 110300.... | 2 | SPRING, SEAT | 14.. | 539 990692.... | 2 | WASHER ⁵ / ₁₆ STD FLT |
| 3.. | 539 110815.... | 1 | CLIP, PUSH MOUNT | 15.. | 539 990717.. | 10 | NUT ⁵ / ₁₆ -18 HEX NYLOC |
| 4.. | 539 130359.... | 1 | SEAT BELT, RETRACTABLE | 16.. | 539 119741.... | 1 | SWITCH, SEAT |
| 5.. | 539 112034.... | 2 | HCS ⁷ / ₁₆ -20 x ³ / ₄ | 17.. | 539 112037.... | 1 | SEAT RAIL SET COMPLETE |
| 6.. | 539 130873.... | 1 | SEAT | 18.. | 539 112035.... | 1 | ARM REST ASSM, RT |
| 7.. | 539 130785.... | 1 | PAN, SEAT | 19.. | 539 112036.... | 1 | ARM REST ASSM, LT |
| 8.. | 539 130787.... | 1 | LATCH, SEAT | 20.. | 539 103247.... | 1 | SEAT LANYARD |
| 9.. | 539 130789.... | 2 | PIVOT, SEAT PAN | 21.. | 539 990582.... | 1 | HCS, ³ / ₈ -16 x 1 WHIZLK |
| 10.. | 539 130896.... | 4 | BOLT ⁵ / ₁₆ -18 HEX HD | 22.. | 539 990517.... | 1 | WASHER ³ / ₈ STD FLT |
| 11.. | 539 130898.... | 2 | GRIP, VINYL | 23.. | 539 976979.... | 1 | NUT ³ / ₈ -16 HEX NYLOC |
| 12.. | 539 977250.... | 1 | SPRING | | | | |

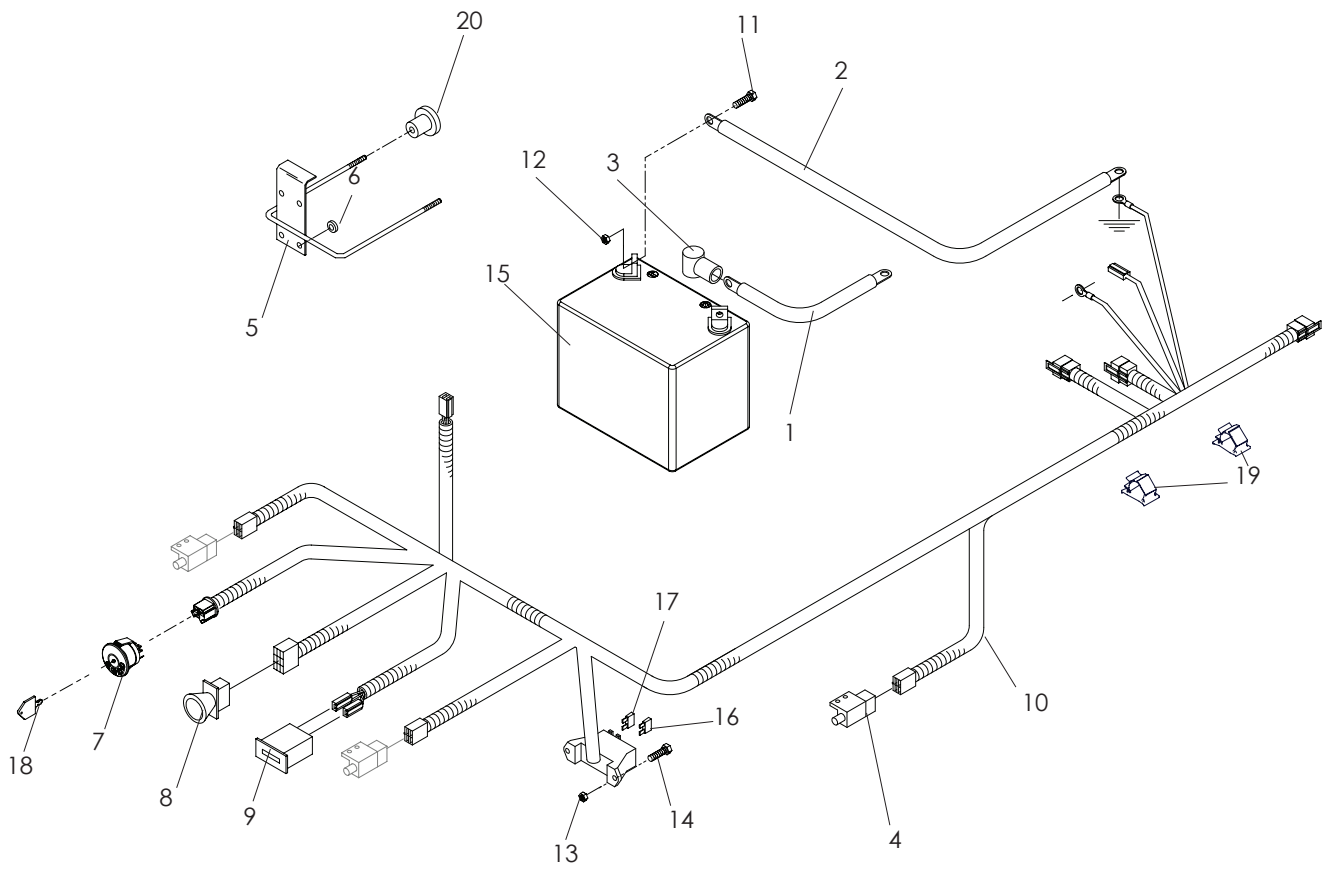
CASTER



CASTER

| ITEM | PART NO. | QTY. | DESCRIPTION | ITEM | PART NO. | QTY. | DESCRIPTION |
|------|----------------|------|-----------------------|------|----------------|------|---------------------|
| 1.. | 539 101331.... | 1 | NUT ½-13 HEX NYLOC | 8.. | 539 105518.... | 1 | SPACER |
| 2.. | 539 101474.... | 1 | ZERK | 9.. | 539 102889.... | 1 | PIN, COTTER 1/8 x 2 |
| 3.. | 539 102535.... | 1 | CAP, GREASE | 10.. | 539 105982.... | 1 | CASTER YOKE |
| 4.. | 539 102543.... | 2 | BEARING, TAPERED | 11.. | 539 105521.... | 1 | TIRE, COMPLETE |
| 5.. | 539 102851.... | 1 | SEAL | 12.. | 539 105523.... | 1 | RIM |
| 6.. | 539 102852.... | 1 | NUT 1-14, SLOTTED JAM | 13.. | 539 912234.... | 1 | VALVE STEM |
| 7.. | 539 105517.... | 1 | HCS ½-13 x 9½ | 14.. | 539 103300.... | 1 | ZERK |

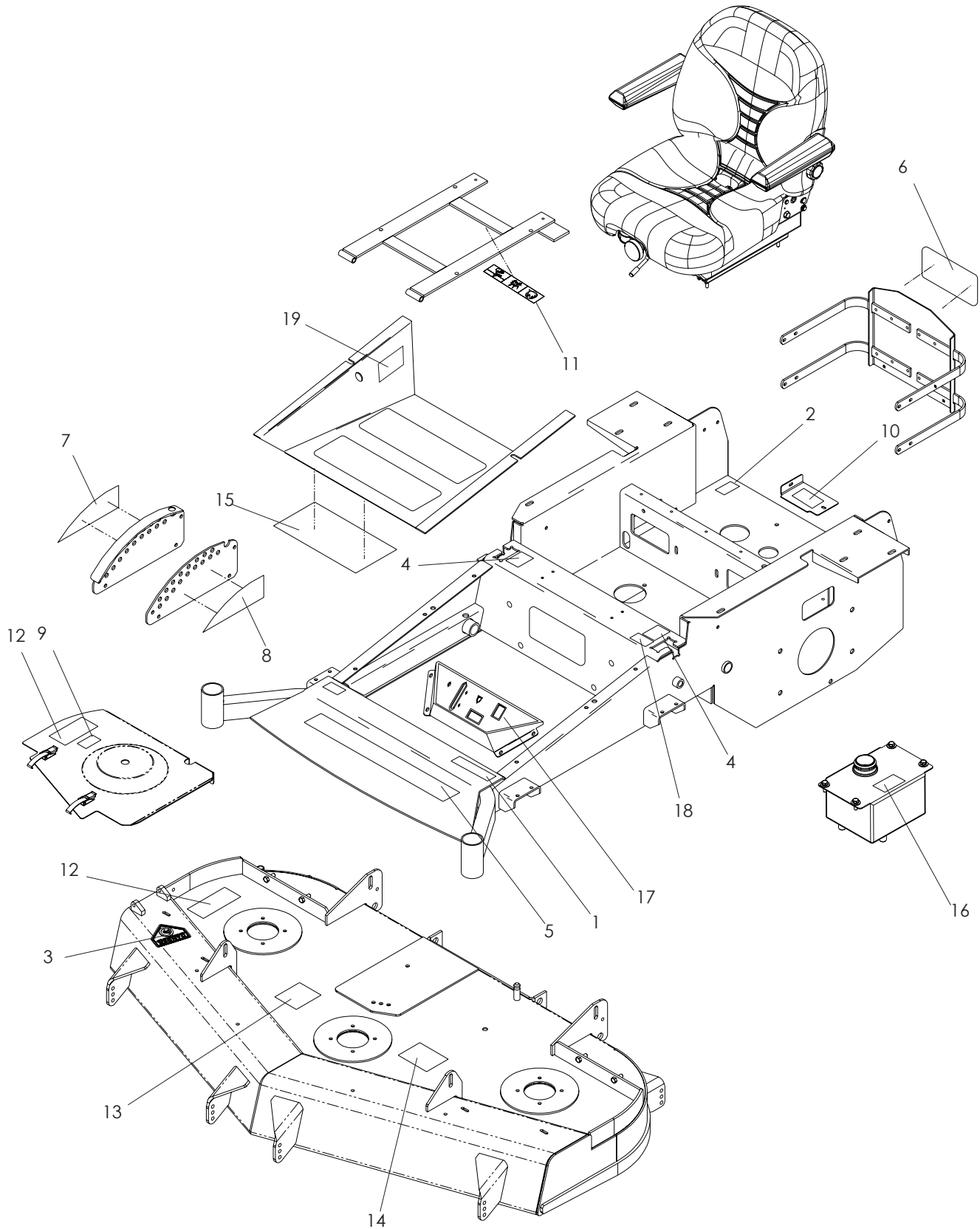
ELECTRICAL



ELECTRICAL

| ITEM | PART NO. | QTY. | DESCRIPTION | ITEM | PART NO. | QTY. | DESCRIPTION |
|------|----------------|--------|-------------------|------|----------------|--------|--|
| 1.. | 539 104974.... | 1 | CABLE, POSITIVE | 11.. | 539 976934.... | 2 | HCS ⁵ / ₁₆ -18 x ³ / ₄ |
| 2.. | 539 102758.... | 1 | CABLE, NEGATIVE | 12.. | 539 990717.... | 2 | NUT ⁵ / ₁₆ -18 HEX NYLOC |
| 3.. | 539 102759.... | 2 | INSULATOR | 13.. | 539 976977.... | 2 | NUT 10-24, NYLOC |
| 4.. | 539 113792.... | 1 | SWITCH, INTERLOCK | 14.. | 539 102617.... | 2 | SCREW 10-24 x ⁷ / ₈ |
| 5.. | 539 105728.... | 1 | BATTERY HOLD DOWN | 15.. | 539 102436.... | 1 | BATTERY, DRY |
| 6.. | 539 102587.... | 4 | BUMPER | 16.. | 539 101771.... | 1 | FUSE, 7.5 AMP, 32V, ATO |
| 7.. | 539 107541.... | 1 | SWITCH, IGNITION | 17.. | 539 102086.... | 1 | FUSE, 20 AMP, 32 V, ATO |
| 8.. | 539 131627.... | 1 | SWITCH, PTO | 18.. | 539 107544.... | 1 | KEY, PADDED |
| 9.. | 539 110074.... | 1 | METER, HOUR | 19.. | 539 110815.... | 2 | CLIP, PUSH MOUNT |
| 10.. | 539 113791.... | 1 | FRAME HARNESS | 20.. | 539 105169.... | 2 | KNOB |

DECALS

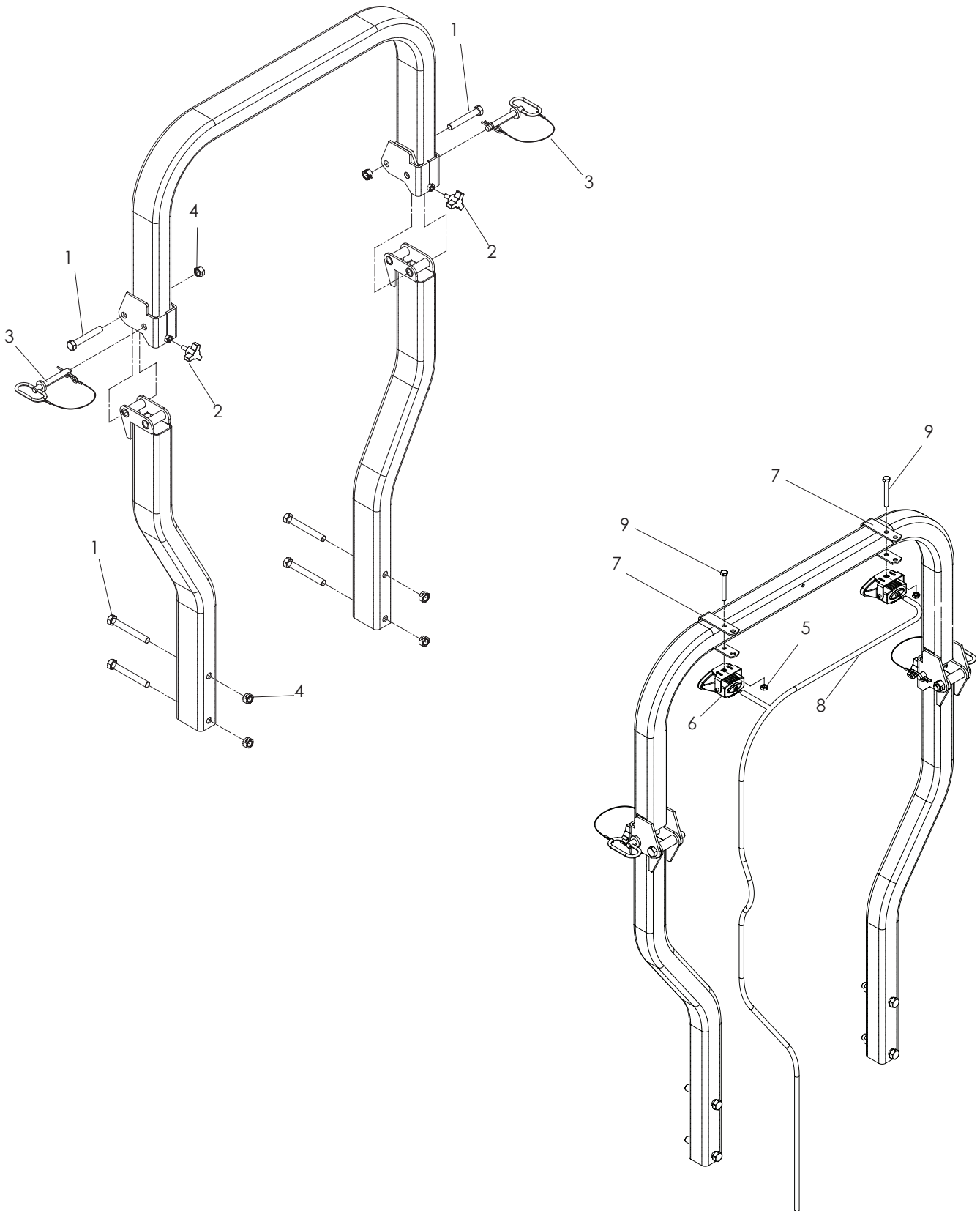


DECALS

| ITEM | PART NO. | QTY. | DESCRIPTION | ITEM | PART NO. | QTY. | DESCRIPTION |
|------|------------|-------|-----------------------------|------|--------------|-------|-------------------------|
| 1.. | 539 112701 |1 |DECAL, LZ5227 | 12.. | 539 105746 |2 |DECAL, SEVERING |
| | 539 111120 | ... 1 | DECAL, LZ6127 | 13.. | 539 105232 |1 |DECAL, ANTI-SCALP |
| 2.. | 539 101881 |1 |DECAL, PROP 65 | 14.. | 539 105012 |1 |DECAL, BELT ROUTING |
| 3.. | 539 913010 |1 |DECAL, WARNING | 15.. | 539 105011 |1 |DECAL, SERVICE |
| 4.. | 539 103333 |2 |DECAL, MOTION CONTROL | 16.. | 539 114832 |1 |DECAL, OIL TANK |
| 5.. | 539 111046 |1 |DECAL, HUSQVARNA | 17.. | 539 110956 |1 |DECAL, CONSOLE |
| 6.. | 539 111055 |1 |DECAL, HUSQVARNA CRWN | 18.. | 539 110974 |1 |DECAL, TRACKING |
| 7.. | 539 104898 |1 |DECAL, HEIGHT INDICATOR | 19.. | 539 111575 |1 |DECAL, WARNING |
| 8.. | 539 104899 |1 |DECAL, HEIGHT INDICATOR | | | | NOT SHOWN |
| 9.. | 539 105743 |2 |DECAL, NO STEP | | ..539 100128 | .. 1 | ..DECAL, EXHAUST |
| 10.. | 539 105744 |1 |DECAL, DANGER BELT DR | | ..539 102670 | .. 1 | ..DECAL, FUEL LINE |
| 11.. | 539 105745 |1 |DECAL, BATTERY WARNING | | | | |

PROTECTION FRAME

ROLLOVER PROTECTION SYSTEM (ROPS) LIGHT KIT



PROTECTION FRAME

| ITEM | PART NO. | QTY. | DESCRIPTION |
|------|------------------|------|------------------|
| 1.. | 539 103433....6 | | HCS ½-13 x 3¼ |
| 2.. | 539 132083....2 | | KNOB w/STUD |
| 3.. | 539 1110362 | | LANYARD W/PIN ½" |
| 4.. | 539 200100....6 | | NUT ½-13, CTRLK |

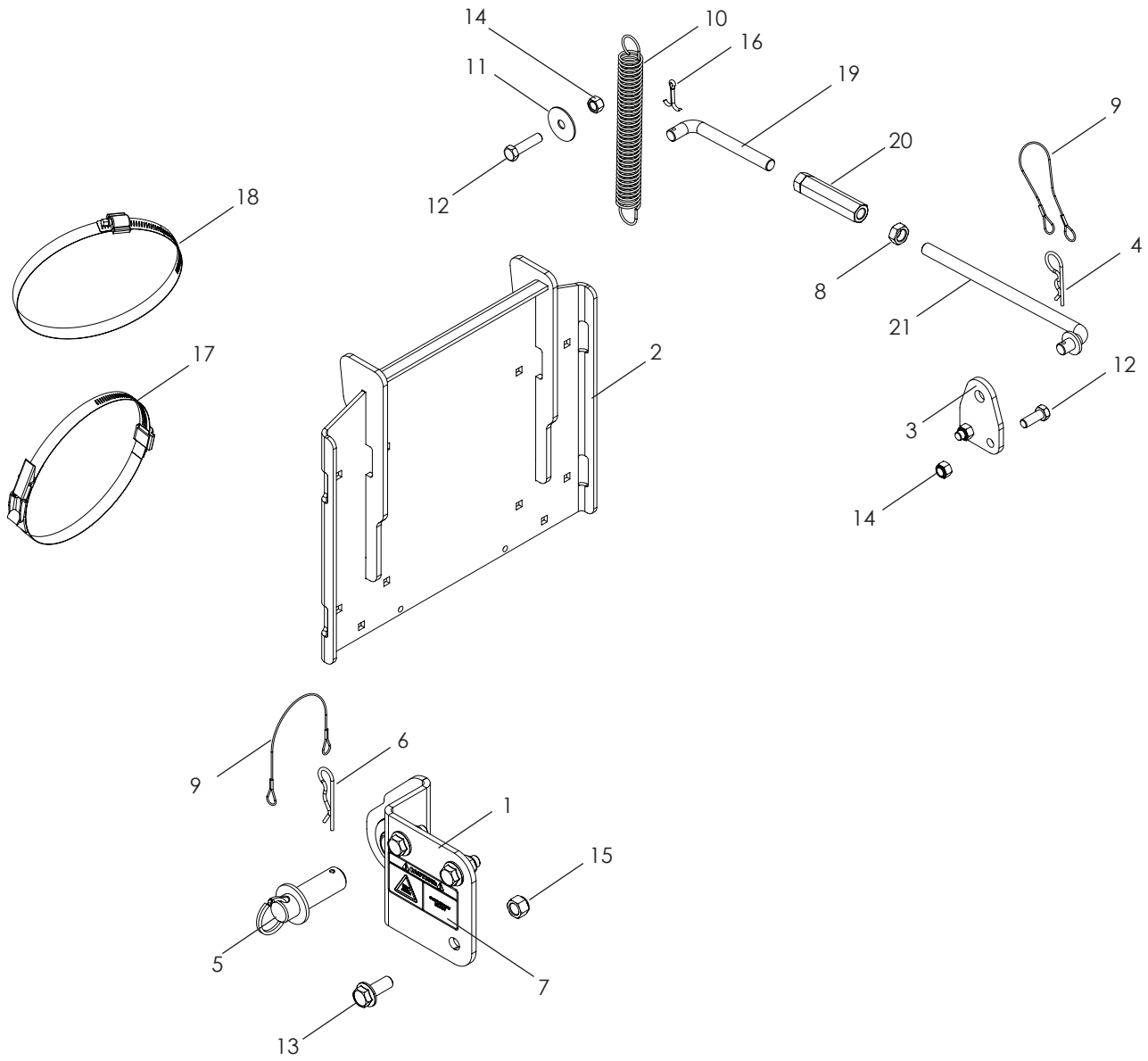
Light Kit is Accessory available for ROPS

| | | | |
|-----|------------------|------|------------------------|
| 5.. | 539 107897....2 | | NUT 5/16-18, JAM |
| 6.. | 539 1115772 | | LIGHT w/BRKT & HRDWARE |
| 7.. | 539 1115782 | | MOUNTING BRKT, LIGHT |
| 8.. | 539 1115801 | | LIGHT HARNESS |
| 9.. | 539 991046....2 | | HCS 5/16-18 x 2½ |

| ITEM | PART NO. | QTY. | DESCRIPTION |
|------|------------------|-------|---|
| 10.. | NOT SHOWN | | |
| | 539 111444 ... 1 | | ROPS, COMPLETE W/ SEAT BELT |
| | 539 130359... 1 | | SEAT BELT, RETRACTABLE |
| | 539 111579 ... 1 | | LIGHT KIT COMPLETE |
| | 539 976856. 16 | | TIE, PLASTIC |
| | 539 111815 ... 1 | | REPLACEMENT BULB 12V, 35 WATT (NOT INCLUDED IN KIT) |

ACCESSORIES

HCS13 - MOUNTING KIT

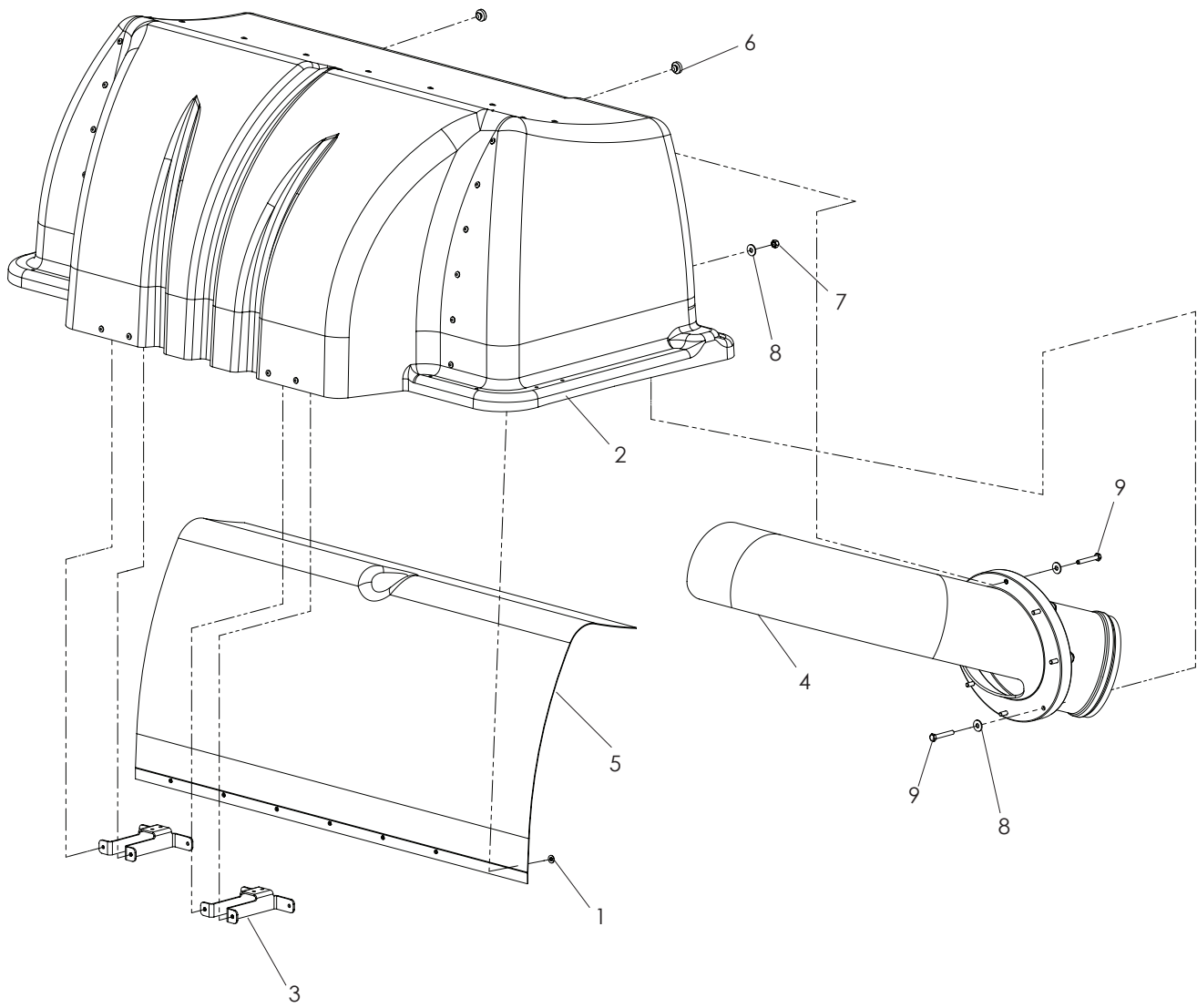


ACCESSORIES

| ITEM | PART NO. | QTY. | DESCRIPTION | ITEM | PART NO. | QTY. | DESCRIPTION |
|------|------------|-------|-------------------------------|------|------------|-------|--|
| 1.. | 539 111322 |1 | BRACKET, RT W/DECAL | 11.. | 539 102998 |2 | WASHER, FRICTION |
| | 539 111199 | ... 1 | BRACKET, LT | 12.. | 539 990563 |6 | HCS $\frac{3}{8}$ -16 x 1 |
| 2.. | 539 111197 |1 | REAR GUARD | 13.. | 539 990622 |6 | HFCS $\frac{1}{2}$ -13 x $1\frac{1}{4}$ WHIZLK |
| 3.. | 539 111215 |2 | SUPPORT BRACKET | 14.. | 539 976979 |6 | NUT $\frac{3}{8}$ -16 HEX NYLOC |
| 4.. | 539 976989 |2 | PIN, HAIR | 15.. | 539 101331 |6 | NUT $\frac{1}{2}$ -13 HEX NYLOC |
| 5.. | 539 111206 |2 | PIN, HITCH | 16.. | 539 990654 |2 | PIN, COTTER $\frac{5}{32}$ x $1\frac{1}{4}$ |
| 6.. | 539 111192 |2 | PIN, HAIR | 17.. | 539 109901 |1 | OVER CENTER BAND |
| 7.. | 539 111212 |1 | DECAL, HOT SURFACE | 18.. | 539 097076 |1 | HOSE CLAMP |
| 8.. | 539 108736 |2 | NUT $\frac{1}{2}$ -20 HEX JAM | 19.. | 539 111208 |2 | SUPPORT LINKAGE, LH |
| 9.. | 539 102563 |4 | LANYARD | 20.. | 539 111207 |2 | TURNBUCKLE $\frac{1}{2}$ |
| 10.. | 539 111191 |2 | SPRING | 21.. | 539 111210 |2 | SUPPORT LINKAGE |

ACCESSORIES

HOOD ASSEMBLY - 539 113756



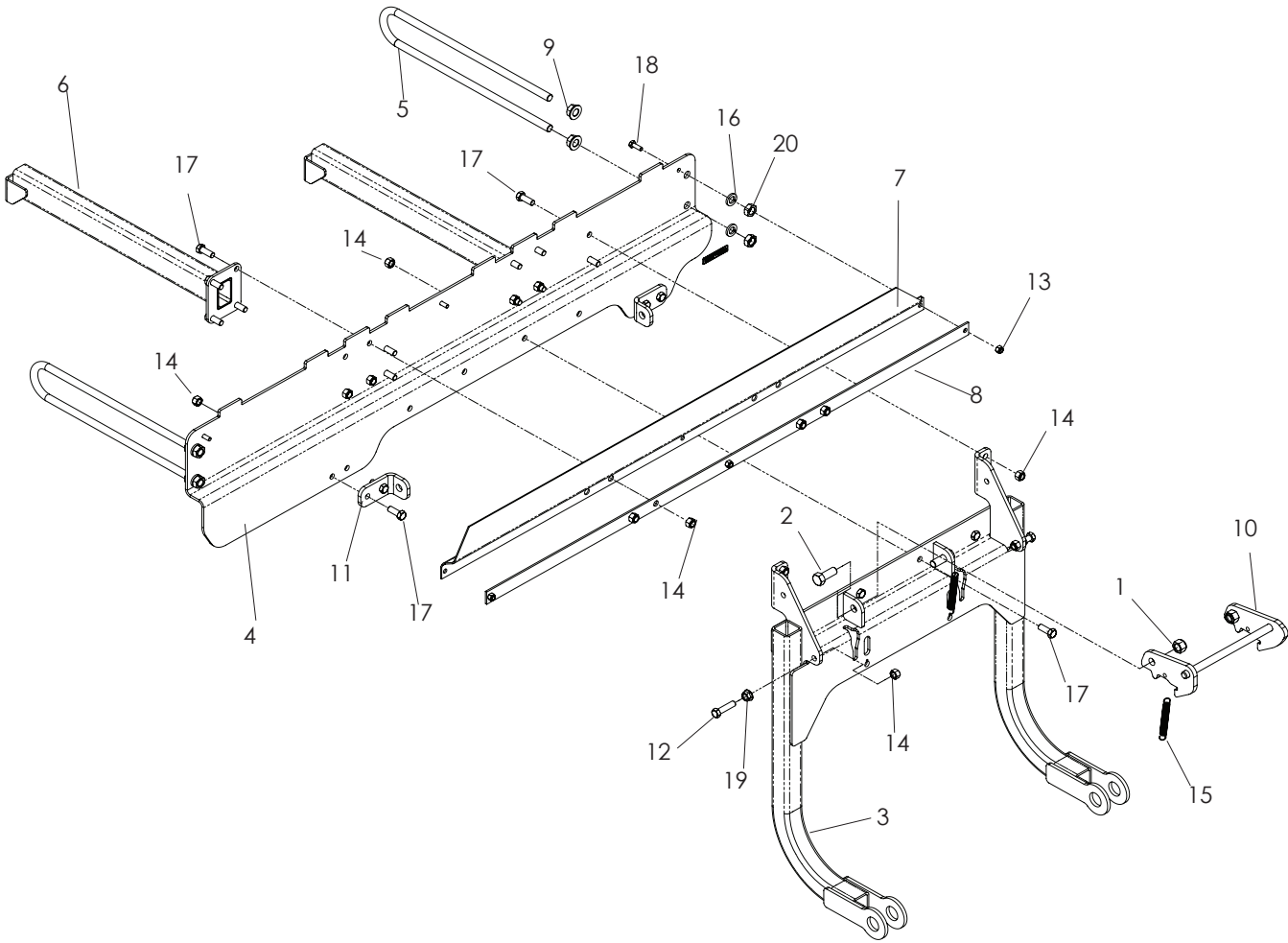
ACCESSORIES

| ITEM | PART NO. | QTY. | DESCRIPTION |
|------|-----------------|---------|---------------------|
| 1.. | 539 105408.. | 21 | WASHER #10 |
| 2.. | 539 111172 | 1 | HOOD |
| 3.. | 539 111175 | 2 | SUPPORT, DRAW LATCH |
| 4.. | 539 111182 | 1 | INLET TUBE |
| 5.. | 539 111183 | 1 | MESH, POLY DIAMOND |

| ITEM | PART NO. | QTY. | DESCRIPTION |
|------|----------------|---------|--------------------|
| 6.. | 539 102587.... | 6 | GROMMET |
| 7.. | 539 976978.... | 8 | NUT ¼-20 HEX NYLOC |
| 8.. | 539 990598.. | 16 | WASHER ¼ |
| 9.. | 539 991003.... | 8 | HCS ¼-20 x 1¾ |

ACCESSORIES

HITCH ASSEMBLY - 539 111280



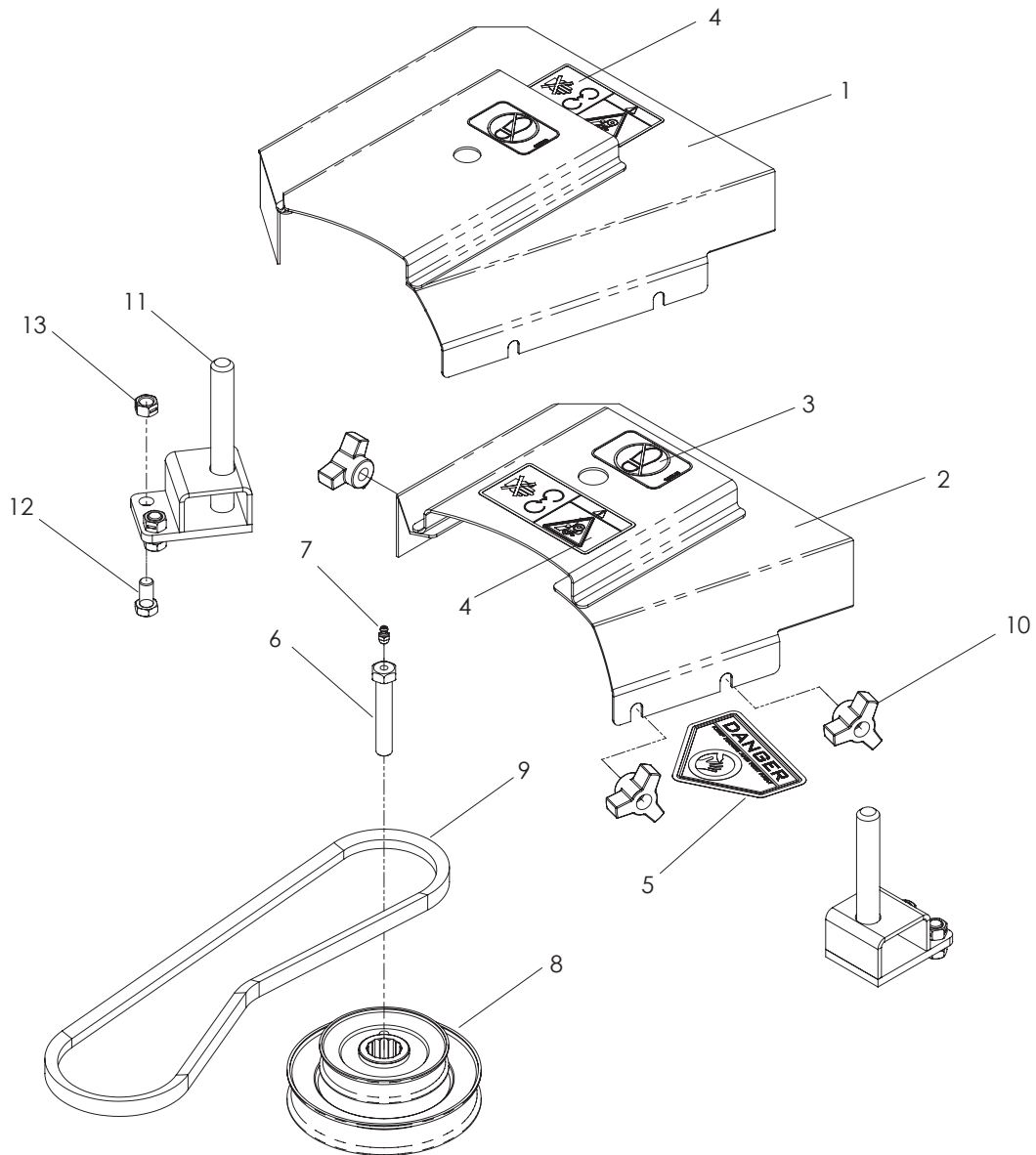
ACCESSORIES

| ITEM | PART NO. | QTY. | DESCRIPTION |
|------|------------------|------|--------------------|
| 1.. | 539 101331....2 | | NUT ½-13 HEX NYLOC |
| 2.. | 539 108369....2 | | HCS ½-13 x 1¼ |
| 3.. | 539 1111551 | | HITCH |
| 4.. | 539 1111571 | | MOUNT Z BRACE |
| 5.. | 539 1111582 | | SUPPORT, OUTER |
| 6.. | 539 1111622 | | SUPPORT ARM |
| 7.. | 539 1111671 | | SEAL, RUBBER |
| 8.. | 539 1111711 | | SEAL STRAP |
| 9.. | 539 1111874 | | NUT ½ -13, WHIZLK |
| 10.. | 539 1111901 | | LATCH |
| 11.. | 539 1112672 | | BRACKET, SUPPORT |
| 12.. | 539 990655....2 | | HCS ¾-16 x 1½ |

| ITEM | PART NO. | QTY. | DESCRIPTION |
|-----------|-------------------|-------|-----------------------|
| 13.. | 539 976978....3 | | NUT ¼-20 HEX NYLOC |
| 14.. | 539 976979. 22 | | NUT ¾-16 HEX NYLOC |
| 15.. | 539 977250....2 | | SPRING |
| 16.. | 539 990254....4 | | LOCKWASHER ½ |
| 17.. | 539 990563..20 | | HCS ¾-16 x 1 |
| 18.. | 539 990580....3 | | HCS ¼-20 x ¾ |
| 19.. | 539 990613....2 | | NUT ¾-16 HEX WHIZLK |
| 20.. | 539 990625....4 | | NUT ½-13 JAM |
| NOT SHOWN | | | |
| | ...539 917150.... | 1.... | DECAL, PATENT PENDING |

ACCESSORIES

DRIVE KIT ASSEMBLY

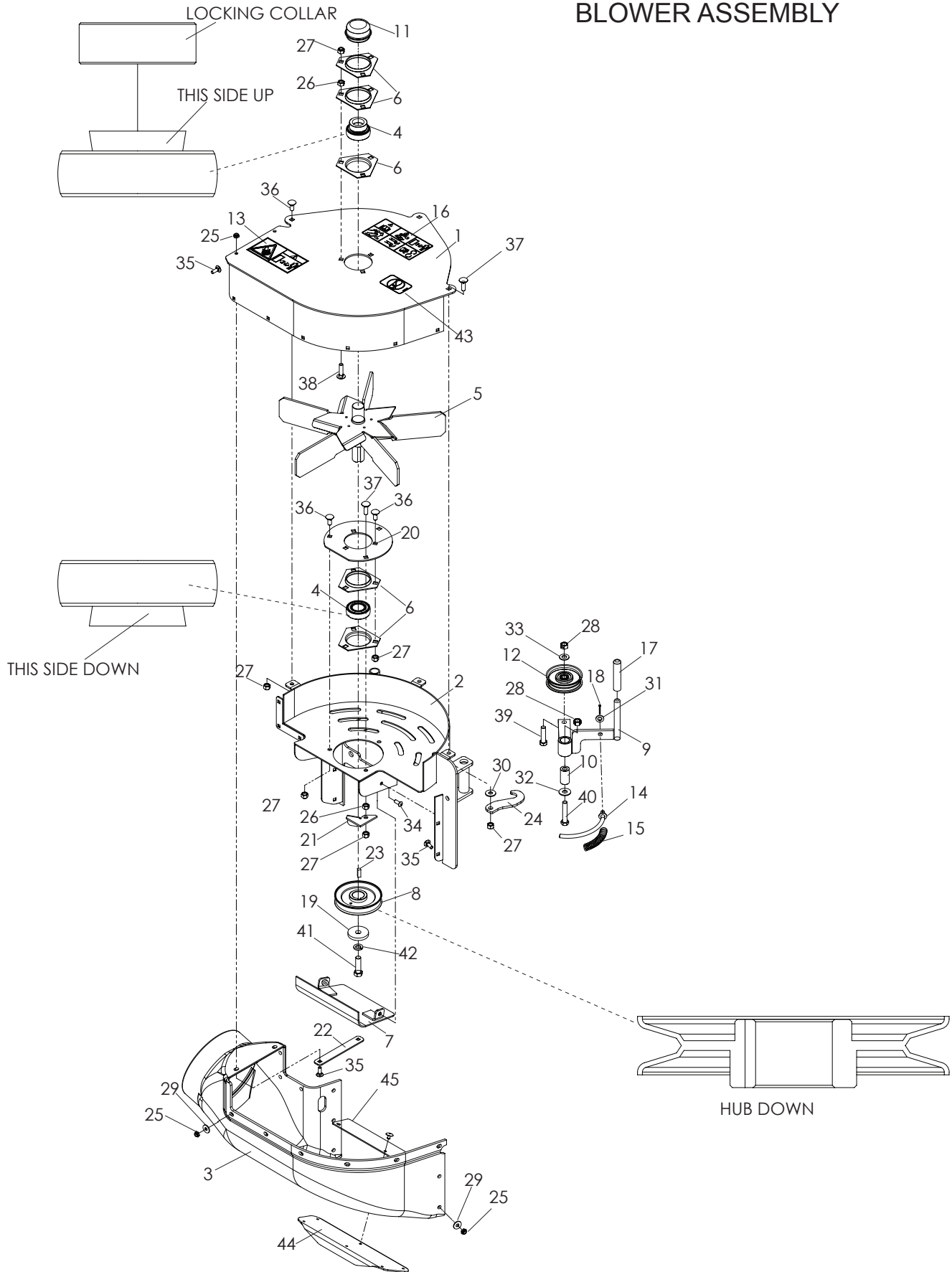


ACCESSORIES

| ITEM | PART NO. | QTY. | DESCRIPTION | ITEM | PART NO. | QTY. | DESCRIPTION |
|------|------------|-------|---|-----------|------------|-------|--|
| 1.. | 539 111268 |1 | SHIELD W/DECALS 52" | 9.. | 539 106725 |1 | BELT, 52" |
| 2.. | 539 111269 |1 | SHIELD W/DECALS 61" | | 539 106726 | ... 1 | BELT, 61" |
| 3.. | 539 105743 |1 | DECAL, NO STEP | 10.. | 539 102070 |3 | KNOB, THREE PRONG |
| 4.. | 539 105744 |1 | DECAL, DANGER BELT DR | 11.. | 539 108944 |2 | BLOWER PIN, SM |
| 5.. | 539 913010 |1 | DECAL, CPSC | 12.. | 539 990134 |4 | HCS $\frac{3}{8}$ -16 x $\frac{3}{4}$ |
| 6.. | 539 112138 |1 | HCS $\frac{7}{16}$ -20 x 2 $\frac{1}{2}$ SPECIAL | 13.. | 539 990546 |4 | NUT $\frac{3}{8}$ -16 CENTERLOCK |
| 7.. | 539 976998 |1 | ZERK | NOT SHOWN | | | |
| 8.. | 539 108947 |1 | PULLEY, DBL, STACKED, 52" | | 539 111296 | ... 1 | DRIVE KIT, 52" |
| | 539 108948 | ... 1 | PULLEY, DBL, STACKED, 61" | | 539 111297 | ... 1 | DRIVE KIT, 61" |

ACCESSORIES

BLOWER ASSEMBLY

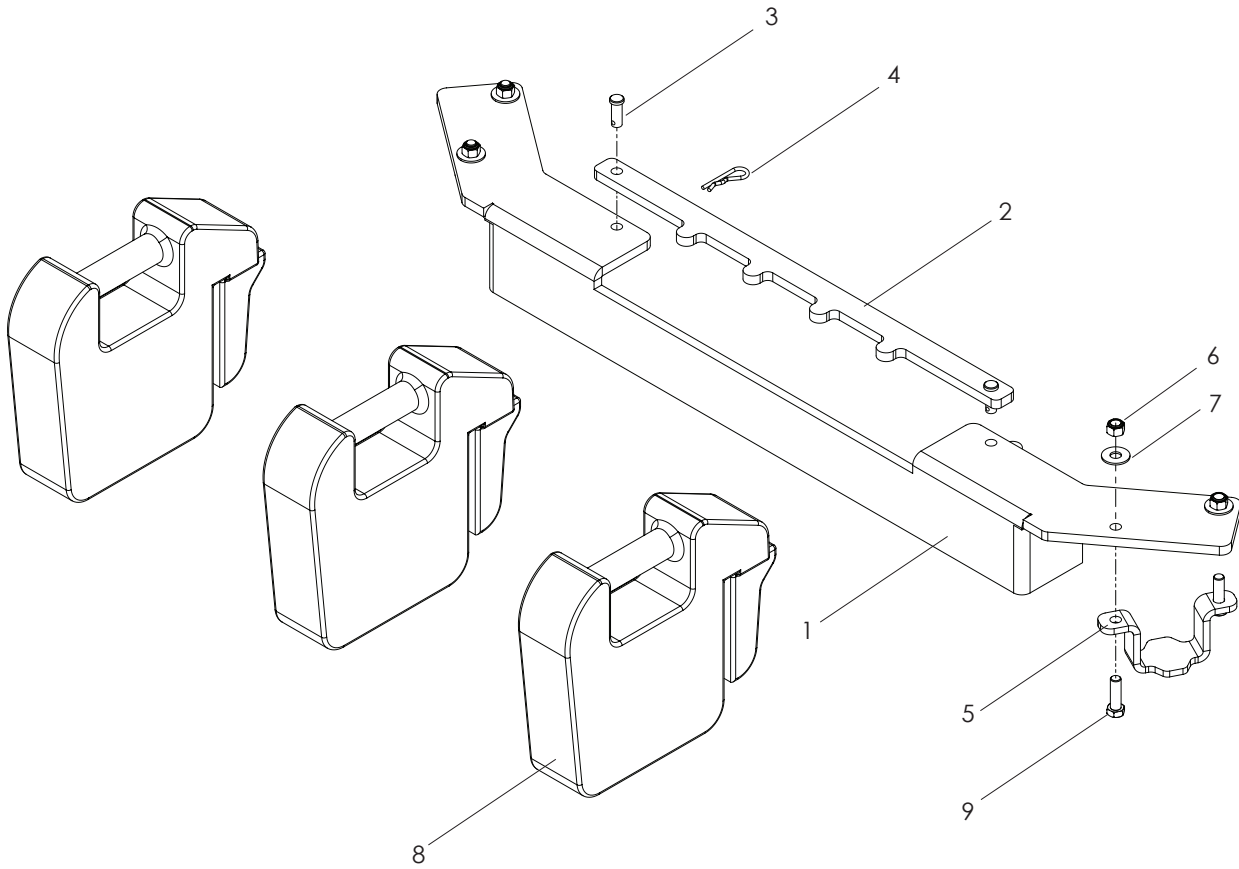


ACCESSORIES

| ITEM | PART NO. | QTY. | DESCRIPTION | ITEM | PART NO. | QTY. | DESCRIPTION |
|------|------------|-------|------------------------|------|------------|-------|-------------------------|
| 1.. | 539 111331 |1 | FAN COVER W/DECALS | 24.. | 539 111303 |1 | IDLER ARM KEEPER |
| 2.. | 539 108941 |1 | BLOWER HOUSING | 25.. | 539 108120 | ..16 | NUT 1/4-20, THIN, NYLOC |
| 3.. | 539 109900 |1 | LOWER HOUSING | 26.. | 539 990196 |4 | NUT 5/16-18 |
| 4.. | 539 106786 |2 | BEARING | 27.. | 539 990717 | ..12 | NUT 5/16-18 HEX NYLOC |
| 5.. | 539 110111 |1 | FAN | 28.. | 539 990546 |2 | NUT 3/8-16 CENTERLOCK |
| 6.. | 539 102691 |5 | FLANGETTE | 29.. | 539 990598 | ..14 | WASHER 1/4 |
| 7.. | 539 108301 |1 | COVER PLATE | 30.. | 539 990692 |1 | WASHER 5/16 STD FLT |
| 8.. | 539 106713 |1 | SHEAVE, 4" | 31.. | 539 990188 |1 | WASHER 5/16 SAE |
| 9.. | 539 106715 |1 | IDLER ARM | 32.. | 539 990517 |1 | WASHER 3/8 STD FLT |
| 10.. | 539 101836 |1 | SLEEVE BUSHING | 33.. | 539 990122 |1 | WASHER 3/8 SAE FLT |
| 11.. | 539 102535 | ...1 | CAP, GREASE | 34.. | 539 111229 |2 | SCREW, 1/4-20 x 5/8 BTN |
| 12.. | 539 106721 |1 | IDLER | 35.. | 539 990074 | ..16 | RHSNB 1/4-20 x 3/4 GR2 |
| 13.. | 539 106741 |1 | DECAL, SEVERING | 36.. | 539 990316 |7 | RHSNB 5/16-18 x 3/4 |
| 14.. | 539 106801 |1 | SPRING ROD | 37.. | 539 990208 |2 | RHSNB 5/16-18 x 1 |
| 15.. | 539 106720 |1 | SPRING | 38.. | 539 100472 |3 | RHSNB 5/16-18 x 1 1/4 |
| 16.. | 539 105785 |1 | DECAL, WARNING | 39.. | 539 990655 |1 | HCS 3/8-16 x 1 1/2 |
| 17.. | 539 101050 |1 | GRIP, VINYL | 40.. | 539 990588 |1 | HCS 3/8-16 x 2 |
| 18.. | 539 990037 |1 | PIN, COTTER 3/32 x 3/4 | 41.. | 539 100141 |1 | HCS 7/16-20 x 1 1/2 |
| 19.. | 539 106504 |1 | HEAVY WASHER | 42.. | 539 990247 |1 | LOCKWASHER 7/16 |
| 20.. | 539 106809 |1 | BEARING PLATE | 43.. | 539 105743 |1 | DECAL, NO STEP |
| 21.. | 539 106811 |1 | BELT GUIDE | 44.. | 539 111340 |1 | BLOWER SUPPORT |
| 22.. | 539 106812 |1 | BACKING | 45.. | 539 110058 |1 | PLATE, BLOWOUT |
| 23.. | 539 102067 |1 | KEY 1/4 SQ x 3/4 | | | | |

ACCESSORIES

WEIGHT KIT



ACCESSORIES

| ITEM | PART NO. | QTY. | DESCRIPTION | ITEM | PART NO. | QTY. | DESCRIPTION |
|------|-----------------|--------|-----------------------|------|----------------|--------|--|
| 1.. | 539 020255.... | 1 | WEIGHT BAR, FRONT | 6.. | 539 976979.... | 4 | NUT $\frac{3}{8}$ -16 HEX NYLOC |
| 2.. | 539 111313 | 1 | HOLD DOWN, WEIGHT BAR | 7.. | 539 990517.... | 4 | WASHER $\frac{3}{8}$ STD FLT |
| 3.. | 539 102049.... | 2 | CLEVIS PIN | 8.. | 539 092531.... | 3 | CAST COUNTERWEIGHT |
| 4.. | 539 108096.... | 2 | SPRING RETAINER | 9.. | 539 976941.... | 4 | HCS $\frac{3}{8}$ -16 x $1\frac{1}{4}$ |
| 5.. | 539 111259 | 2 | WEIGHT KEEPER | | | | |

