

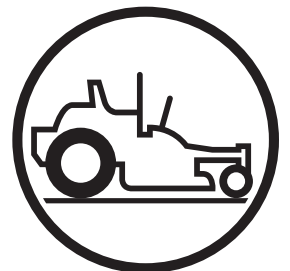
## Parts Manual

EZ4624 BF / 968999688

EZ4220 BF / 968999693

EZ4824 BF / 968999697

Please read the operator's manual carefully and make sure you understand the instructions before using the machine.



**English**

MODEL NUMBER \_\_\_\_\_

SERIAL NUMBER \_\_\_\_\_

DATE PURCHASED \_\_\_\_\_

DEALER ADDRESS \_\_\_\_\_

NOTES \_\_\_\_\_

\_\_\_\_\_

\_\_\_\_\_

\_\_\_\_\_

\_\_\_\_\_

\_\_\_\_\_

\_\_\_\_\_

\_\_\_\_\_

\_\_\_\_\_

\_\_\_\_\_

\_\_\_\_\_

\_\_\_\_\_

\_\_\_\_\_

\_\_\_\_\_

\_\_\_\_\_

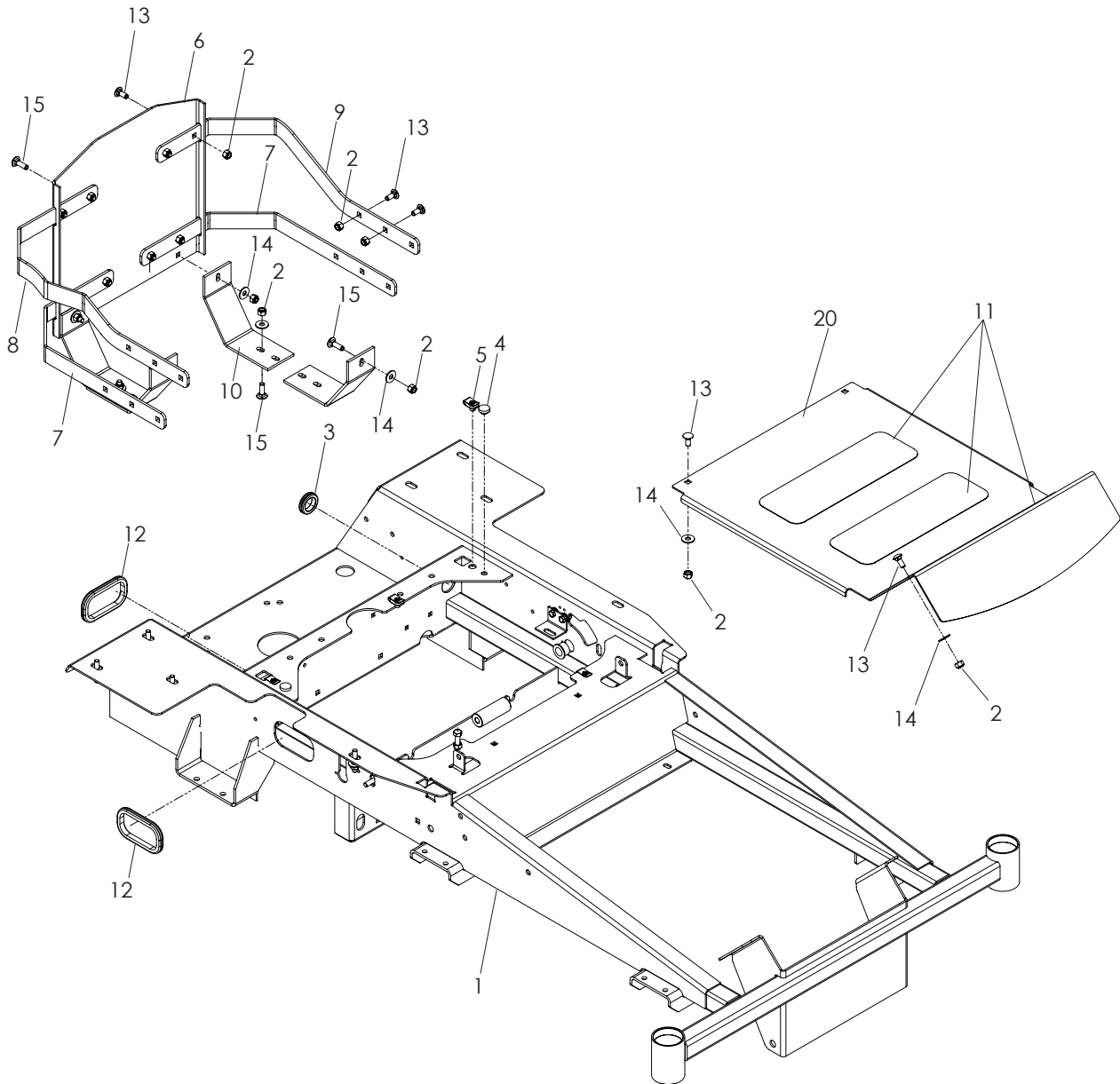
# CONTENTS

---

CHASSIS / FRAME .....	4	42 INCH CUTTING DECK.....	20
ENGINE.....	8	46 INCH CUTTING DECK.....	22
MODEL EZ4624.....	8	48 INCH CUTTING DECK.....	24
MODELS EZ4220, EZ4824.....	10	CONTROLS.....	26
STEERING .....	12	SEAT .....	28
PARKING BRAKE .....	14	WHEELS AND TIRES .....	30
HYDRAULIC PUMP-MOTOR.....	16	DECALS .....	32
MOWER LIFT / DECK LIFT.....	18		

NOTE: ALL FASTENERS ARE GRADE 5 UNLESS OTHERWISE SPECIFIED.

# CHASSIS / FRAME

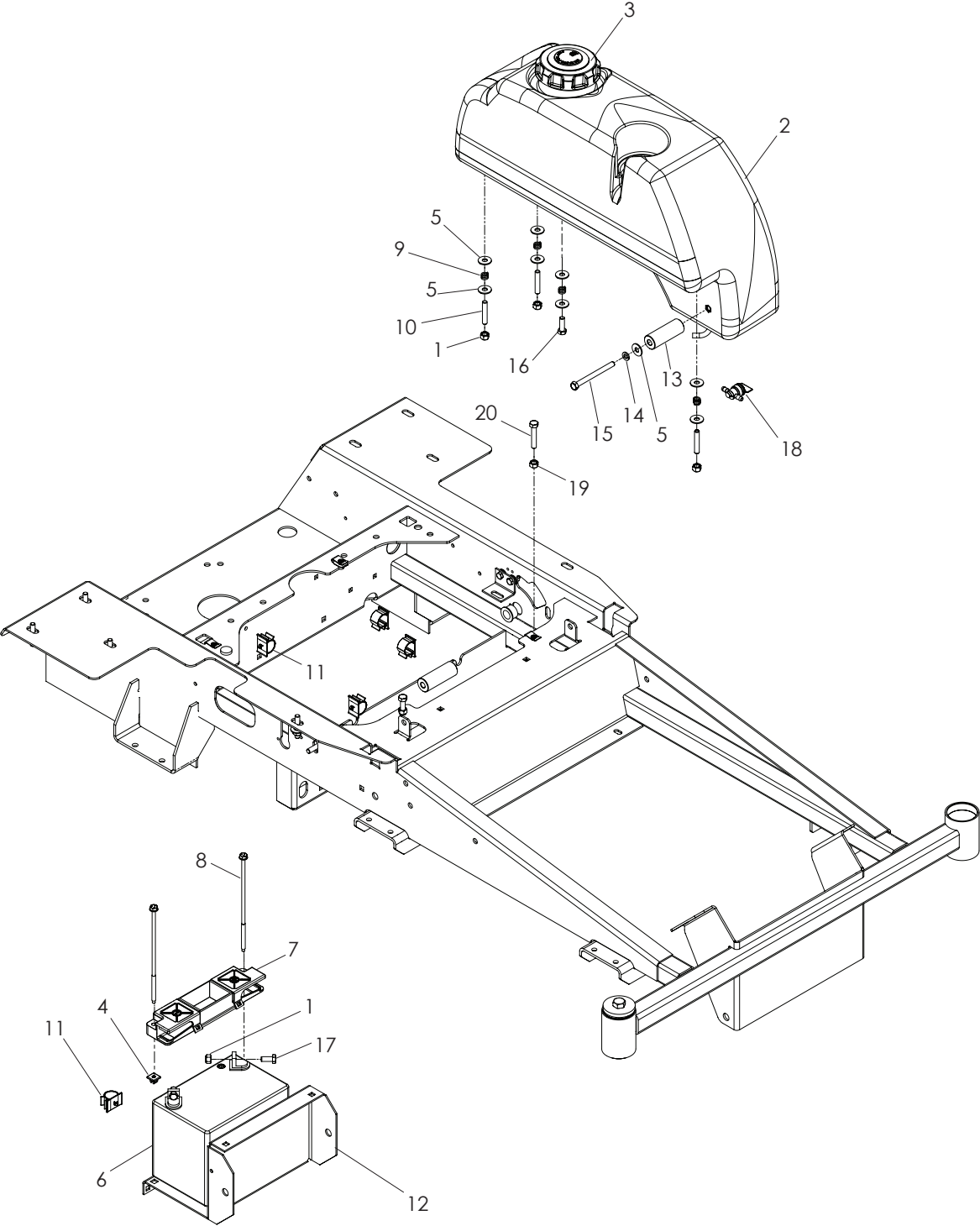


## CHASSIS / FRAME

---

ITEM	PART NO.	QTY.	DESCRIPTION	ITEM	PART NO.	QTY.	DESCRIPTION
1..	539 112798	.....1 ...	FRAME W/DECALS All Models Before Serial No. 0749xxxxx	7..	539 112780	.....2 ...	LOWER GUARD
..	965 885601	.....1 ...	FRAME W/DECALS Models EZ4625 and EZ4824 After Serial No. 0749xxxxx	8..	539 112781	.....1 ...	UPPER RT HAND GUARD
2..	539 990717	...16 ...	NUT <sup>5</sup> / <sub>16</sub> -18 NYLOC	9..	539 112782	.....1 ...	UPPER LT HAND GUARD
3..	539 105974	.....1 ...	RUBBER GROMMET	10..	539 112783	.....4 ...	SKID PLATE
4..	539 102587	.....2 ...	GROMMET, BUMPER	11..	539 977778	.....3 ...	PAD, ABRASIVE
5..	539 104763	.....2 ...	NUT <sup>5</sup> / <sub>16</sub> -18 RETAINER-U	12..	539 107116	.....1 ...	GROMMET
6..	539 106959	.....1 ...	ENGINE GUARD	13..	539 990316	...20 ...	RHSNB <sup>5</sup> / <sub>16</sub> -18 x <sup>3</sup> / <sub>4</sub>
				14..	539 990692	...10 ...	WASHER <sup>5</sup> / <sub>16</sub>
				15..	539 990208	.....6 ...	RHSNB <sup>5</sup> / <sub>16</sub> -18 x 1
				16..	539 112228	.....1 ...	PAN, FLOOR

# CHASSIS / FRAME



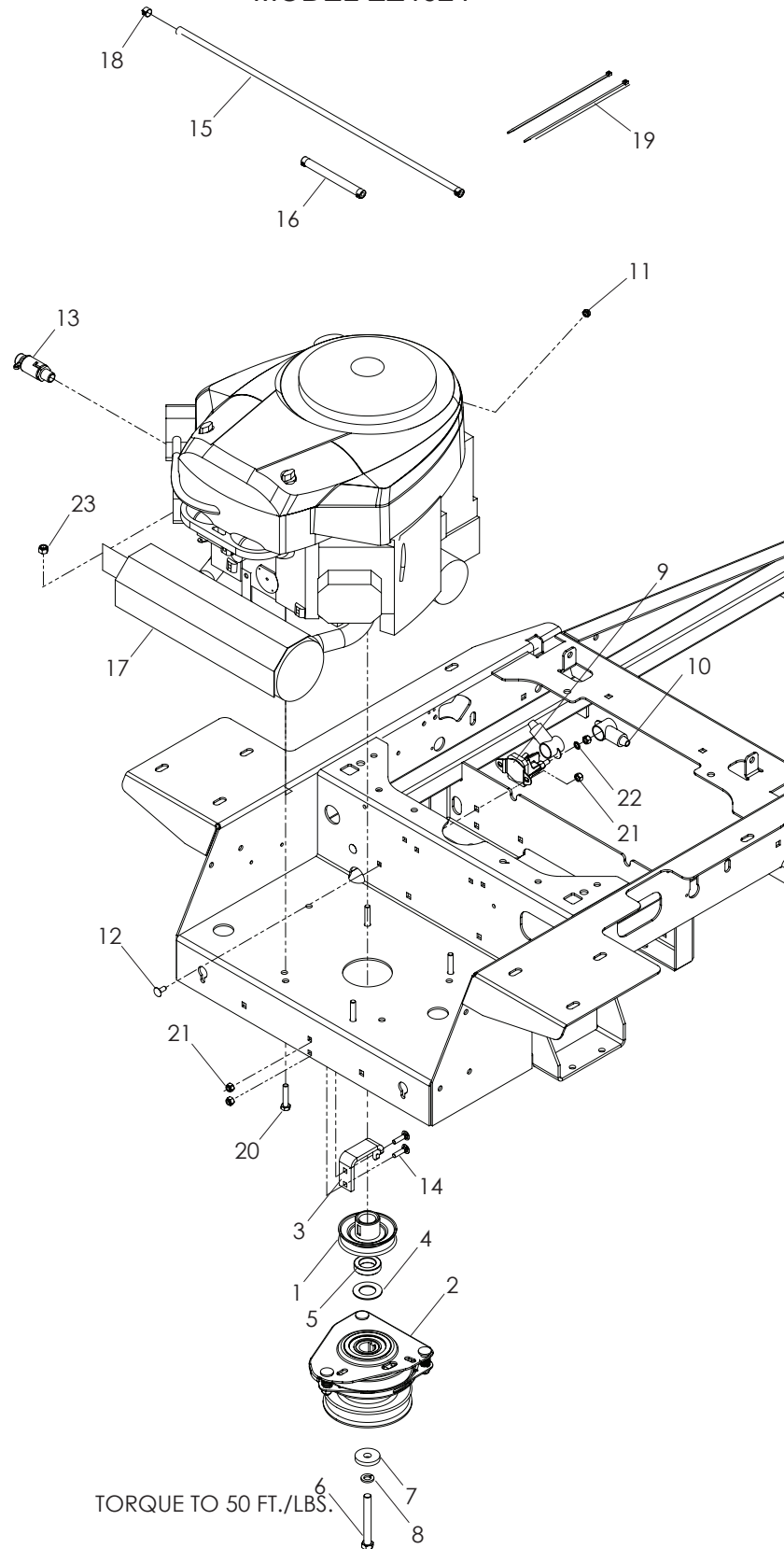
## CHASSIS / FRAME

---

ITEM	PART NO.	QTY.	DESCRIPTION	ITEM	PART NO.	QTY.	DESCRIPTION
1..	539 990717	.....5	... NUT $\frac{5}{16}$ -18 NYLOC	13..	539 112446	.....2	... TANK SPACER
2..	539 104409	.....1	... FUEL TANK, LEFT	14..	539 990187	.....2	... LOCKWASHER $\frac{5}{16}$
3..	539 106188	.....1	... FUEL CAP	15..	539 107270	.....2	... HCS $\frac{5}{16}$ -18 x $3\frac{1}{2}$
4..	539 107629	.....2	... PUSH NUT NYLON	16..	539 990209	.....2	... HCS $\frac{5}{16}$ -18 x 1
5..	539 990692	.....9	... WASHER $\frac{5}{16}$	17..	539 976934	.....2	... HCS $\frac{5}{16}$ -18 x $\frac{3}{4}$
6..	539 102436	.....1	... BATTERY	18..	539 916325	.....1	... FUEL VALVE
7..	539 107628	.....1	... BATTERY HOLD DOWN	19..	539 990196	.....2	... NUT $\frac{5}{16}$ -18
8..	539 107632	.....2	... BOLT, $\frac{1}{4}$ x $7\frac{1}{2}$	20..	539 108394	.....2	... HCS $\frac{5}{16}$ -18 x $1\frac{3}{4}$ TPBL
9..	539 102845	.....8	... SPRING, TANK MOUNT				NOT SHOWN
10..	539 102502	.....6	... TANK STUD, FUEL $\frac{5}{16}$ C	..	539 113793	.....1	... WIRE HARNESS
11..	539 110815	.....5	... PUSH MOUNT, WIRE CLIP	..	539 110068	.....1	... BATTERY CABLE, NEG
12..	539 112408	.....1	... BATTERY TRAY				

# ENGINE

## BRIGGS & STRATTON MODEL EZ4624





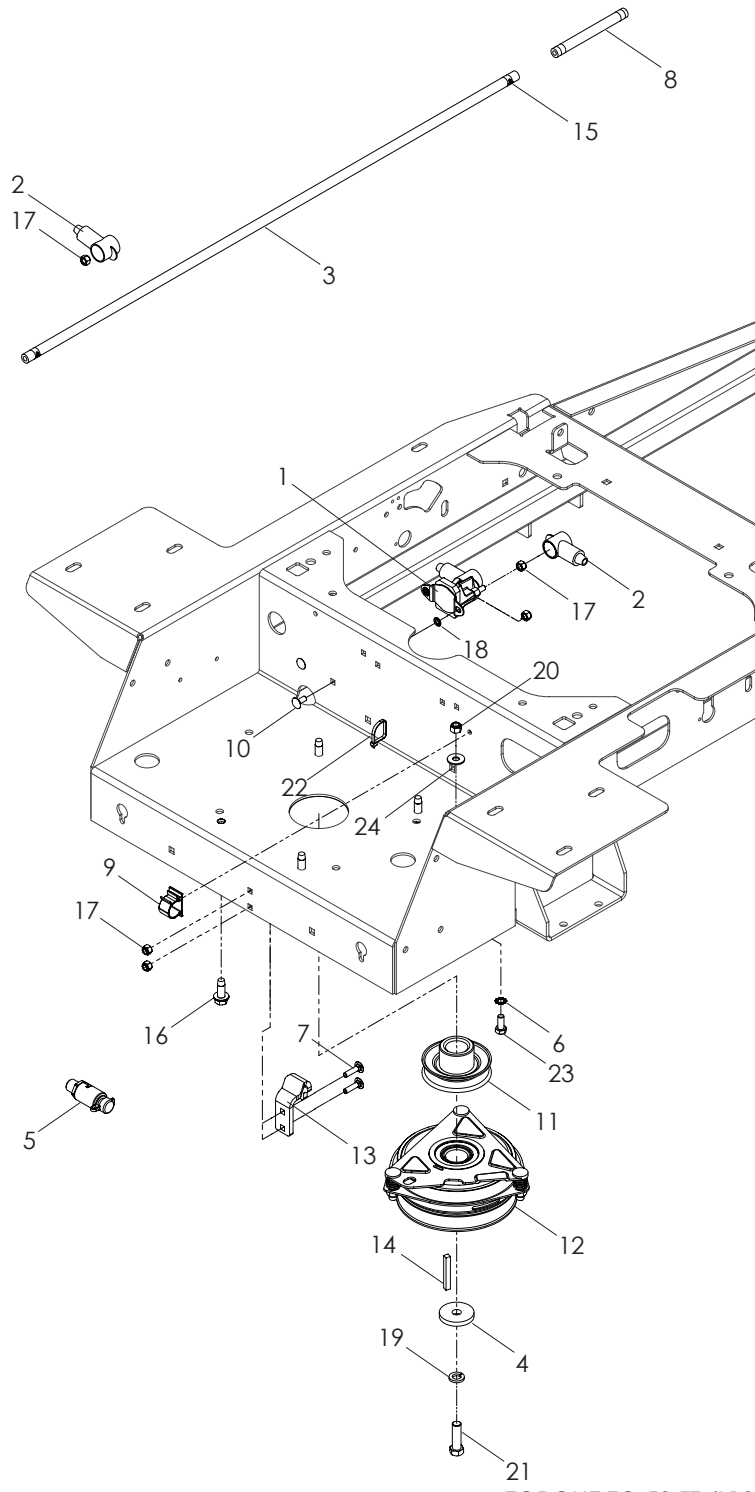
# ENGINE

---

ITEM	PART NO.	QTY.	DESCRIPTION	ITEM	PART NO.	QTY.	DESCRIPTION
1..	539 114530	....1	.. PULLEY, ENGINE	14..	539 109800	....2	.. RHSNB ¼-20 x 1
2..	539 113977	....1	.. CLUTCH, 90 FT/LBS	15..	539 110424	....1	.. FUEL LINE 24"
3..	539 112249	....1	.. CLUTCH TIE DOWN	16..	539 110425	....1	.. FUEL LINE 5"
4..	539 113987	....1	.. SPACER	17..	539 121325	....1	.. MUFFLER
5..	539 114387	....1	.. SPACER	18..	539 912222	....4	.. HOSE CLAMP
6..	539 976944	....1	.. HCS 7/16-20 x 3½	19..	539 976856	....2	.. WIRE TIE
7..	539 110064	....1	.. CLUTCH WASHER	20..	539 976935	....4	.. HCS 5/16-18 x 1½
8..	539 990247	....1	.. WASHER 7/16 SLW	21..	539 976978	....6	.. NUT ¼-20 HEX NYLOC
9..	539 101714	....1	.. SOLENOID	22..	539 990053	....2	.. WASHER ¼ INT TOOTH LK
10..	539 102759	....3	.. INSULATOR	23..	539 990717	....4	.. NUT 5/16-18 HEX NYLOC
11..	539 108120	....1	.. NUT ¼-20 HEX THIN NYLOC	NOT SHOWN			
12..	539 111786	....2	.. RHSSNB ¼-20 x 5/8	..	539 103306	....1	... CABLE, POSITIVE
13..	539 110093	....1	.. PLUG, OIL DRAIN	..	539 107516	....1	.. PIGTAIL, ENGINE CV490S

# ENGINE

KOHLER  
MODELS EZ4220, EZ4824



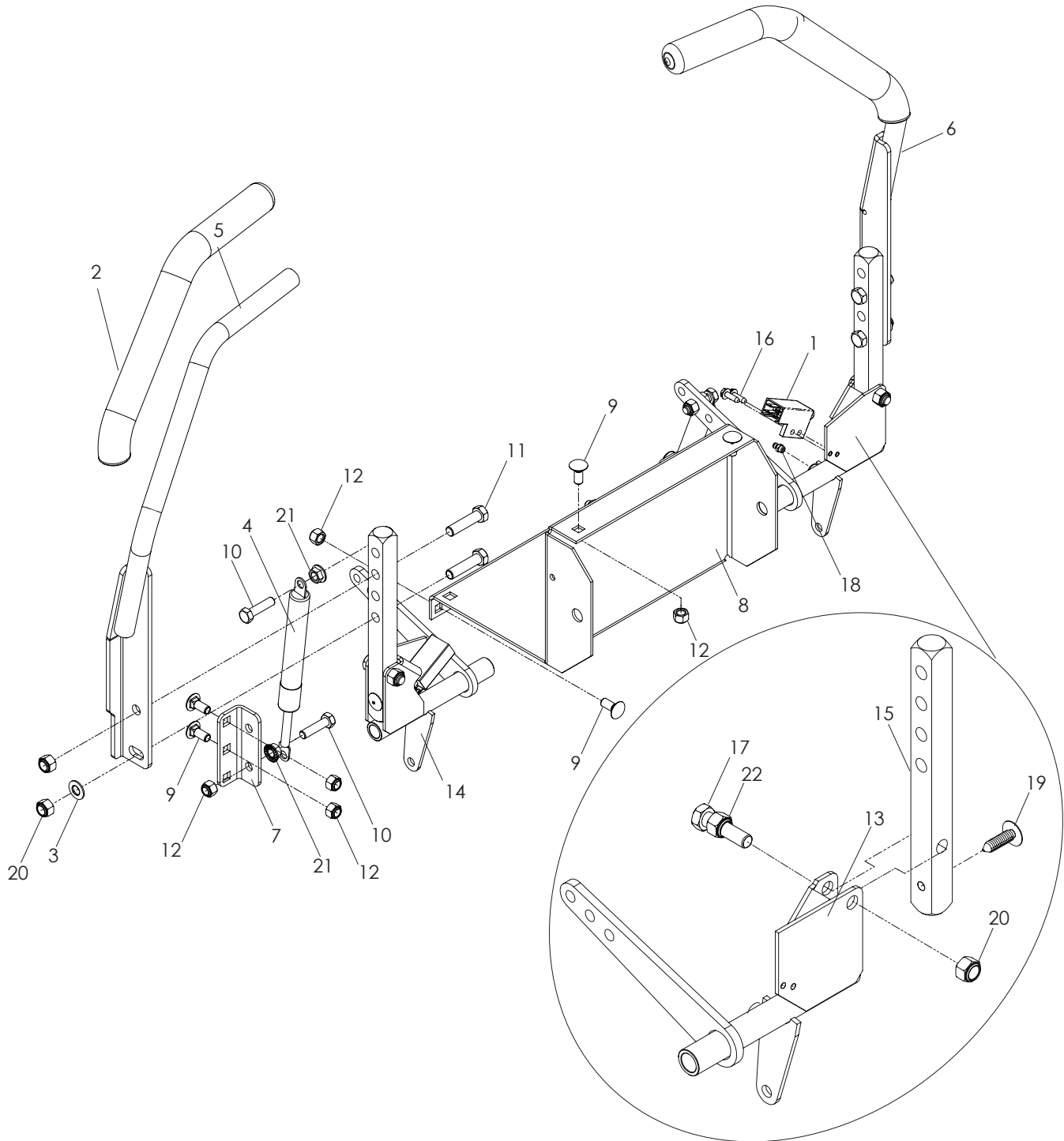
TORQUE TO 50 FT./LBS

# ENGINE

---

ITEM	PART NO.	QTY.	DESCRIPTION	ITEM	PART NO.	QTY.	DESCRIPTION
1..	539 101714	.....1	... SOLENOID	15..	539 912222	.....4	... CLAMP, HOSE
2..	539 102759	.....3	... INSULATOR, BATTERY	16..	539 107476	.....4	... BOLT, $\frac{3}{8}$ -16 x 1 THD FORM
3..	539 105280	.....1	... FUEL LINE, 35"	17..	539 976978	.....6	... NUT $\frac{1}{4}$ -20 NYLOC
4..	539 106504	.....1	... WASHER .469	18..	539 990053	.....2	... WASHER $\frac{1}{4}$
5..	539 110093	.....1	... PLUG OIL DRAIN	19..	539 990247	.....1	... WASHER $\frac{7}{16}$
6..	539 109556	.....1	... WASHER $\frac{5}{16}$ EXT STAR	20..	539 990717	.....1	... NUT $\frac{5}{16}$ -18 NYLOC
7..	539 109800	.....2	... RHSNB $\frac{1}{4}$ -20 x 1	21..	539 100141	.....1	... HCS $\frac{7}{16}$ -20 x $1\frac{1}{2}$
8..	539 110425	.....1	... FUEL LINE, 5"	22..	539 976856	.....1	... WIRE TIE
9..	539 110815	.....1	... PUSH-MOUNT WIRE CLIP	23..	539 976934	.....1	... HCS $\frac{5}{16}$ -18 x $\frac{3}{4}$
10..	539 111786	.....2	... RHSSNB, $\frac{1}{4}$ -20 x $\frac{5}{8}$	24..	539 990692	.....1	... WASHER $\frac{5}{16}$
11..	539 113436	.....1	... PULLEY, DRIVE	NOT SHOWN			
12..	539 113437	.....1	... CLUTCH	..	539 103306	.....2	... CABLE, POSITIVE, LONG
13..	539 113441	.....1	... CLUTCH TIE DOWN	..	539 107516	.....1	... PIGTAIL, ENGINE
14..	539 910210	.....1	... KEY $\frac{1}{4}$ SQ x 2	..	539 105896	.....1	... MUFFLER

# STEERING

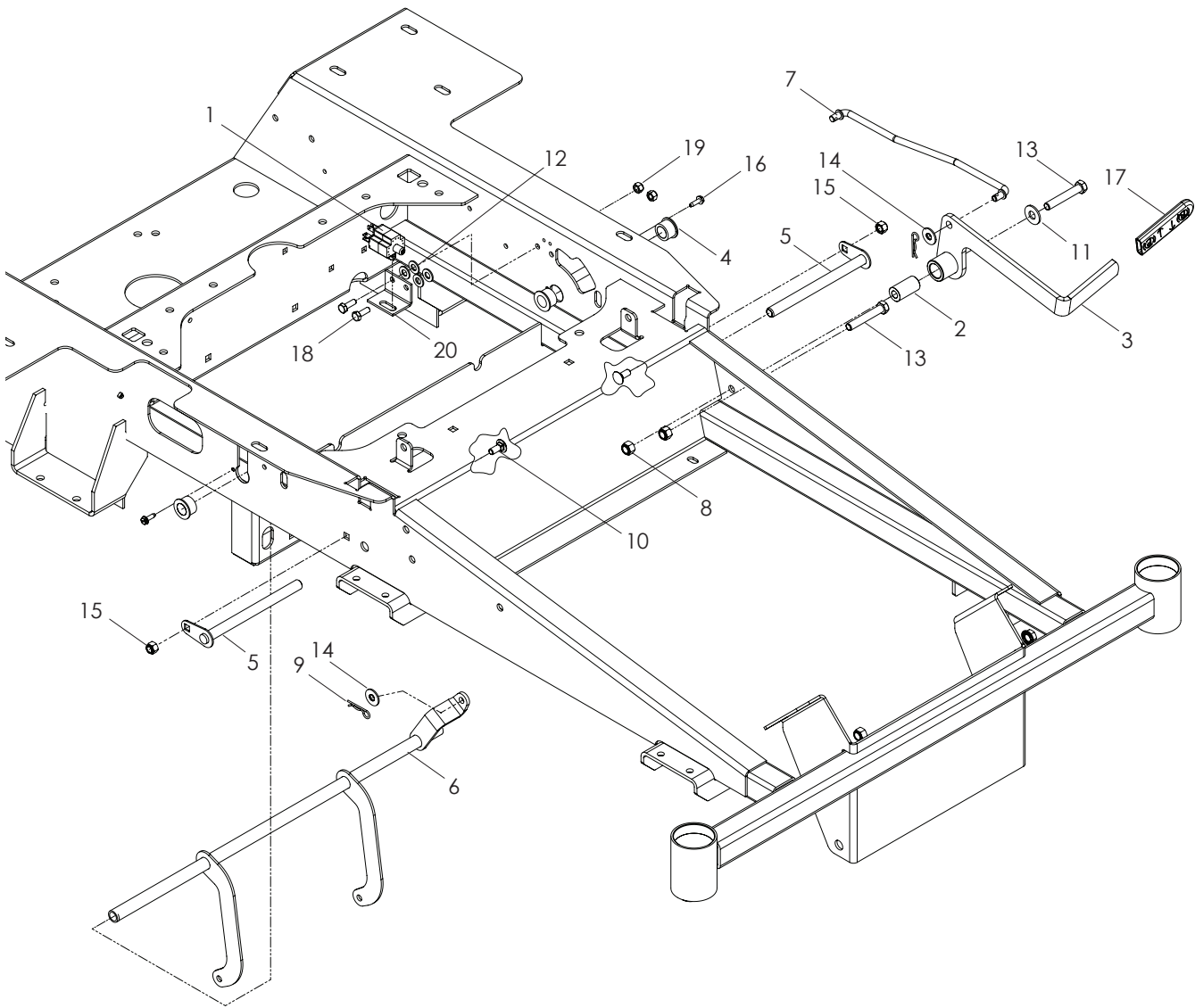


# STEERING

---

ITEM	PART NO.	QTY.	DESCRIPTION	ITEM	PART NO.	QTY.	DESCRIPTION
1..	539 101080	.....2	... SWITCH, INTERLOCK	12..	539 990717	...12	... NUT <sup>5</sup> / <sub>16</sub> -18 NYLOC
2..	539 102592	.....2	... CUSHION, DRIVE LEVER	13..	539 112096	.....1	... CONTROL, LEFT
3..	539 102593	.....2	... LOCKWASHER <sup>3</sup> / <sub>8</sub>	14..	539 112095	.....1	... CONTROL, RIGHT
4..	539 102720	.....2	... DAMPENER	15..	539 112088	.....1	... CONTROL ARM
5..	539 110826	.....1	... DRIVE LEVER, RIGHT	16..	539 991034	.....4	... SCREW 10-24 x <sup>5</sup> / <sub>8</sub> WASH HD
6..	539 110827	.....1	... DRIVE LEVER, LEFT	17..	539 110122	.....1	... HCS <sup>3</sup> / <sub>8</sub> -16 x 2 <sup>1</sup> / <sub>2</sub> TPBLT
7..	539 112300	.....2	... DAMPENER BRACKET	18..	539 976998	.....1	... ZERK
8..	539 112408	.....1	... BATTERY TRAY	19..	539 113107	.....1	... RIVET, NYLON PUSH-IN
9..	539 990316	.....8	... RHSNB <sup>5</sup> / <sub>16</sub> -18 x <sup>3</sup> / <sub>4</sub>	20..	539 976979	.....1	... NUT <sup>3</sup> / <sub>8</sub> -16 NYLOC
10..	539 990627	.....4	... HCS <sup>5</sup> / <sub>16</sub> -18 x 1 <sup>1</sup> / <sub>4</sub>	21..	539 990585	.....4	... NUT <sup>5</sup> / <sub>16</sub> -18 WHIZLK
11..	539 990655	.....6	... HCS <sup>3</sup> / <sub>8</sub> -16 x 1 <sup>1</sup> / <sub>2</sub>	22..	539 990546	.....1	... NUT <sup>3</sup> / <sub>8</sub> -16 CENTERLOCK

# PARKING BRAKE



# PARKING BRAKE

---

ITEM	PART NO.	QTY.	DESCRIPTION
1..	539 113792	.....1	... SWITCH, BRAKE
2..	539 101836	.....1	... BUSHING
3..	539 109363	.....1	... BRAKE LEVER
4..	539 109368	.....3	... BUSHING, PLASTIC
5..	539 112306	.....2	... SHAFT, PIVOT
6..	539 112313	.....1	... BRAKE SHAFT
7..	539 112314	.....1	... LINKAGE
8..	539 976979	.....4	... NUT $\frac{3}{8}$ -16 NYLOC
9..	539 976988	.....2	... PIN, HAIR .073 x $1\frac{7}{16}$
10..	539 990316	.....2	... RHSNB $\frac{5}{16}$ -18 x $\frac{3}{4}$
11..	539 990517	.....1	... WASHER $\frac{3}{8}$

ITEM	PART NO.	QTY.	DESCRIPTION
12..	539 990188	.....4	... WASHER $\frac{5}{16}$ SAE FLAT
13..	539 990629	.....3	... HCS $\frac{3}{8}$ -16 x $2\frac{1}{4}$
14..	539 990692	.....3	... WASHER $\frac{5}{16}$
15..	539 990717	.....2	... NUT $\frac{5}{16}$ -18 NYLOC
16..	539 991034	.....2	... SCREW #10-24 x $\frac{5}{8}$ WASH HD
17..	539 109798	.....1	... GRIP, PARK BRAKE
18..	539 990580	.....2	... HCS $\frac{1}{4}$ -20 x $\frac{3}{4}$
19..	539 976978	.....2	... NUT $\frac{1}{4}$ -20 NYLOC
20..	539 114803	.....1	... BRACKET, BRAKE SWITCH

# HYDRAULIC PUMP-MOTOR



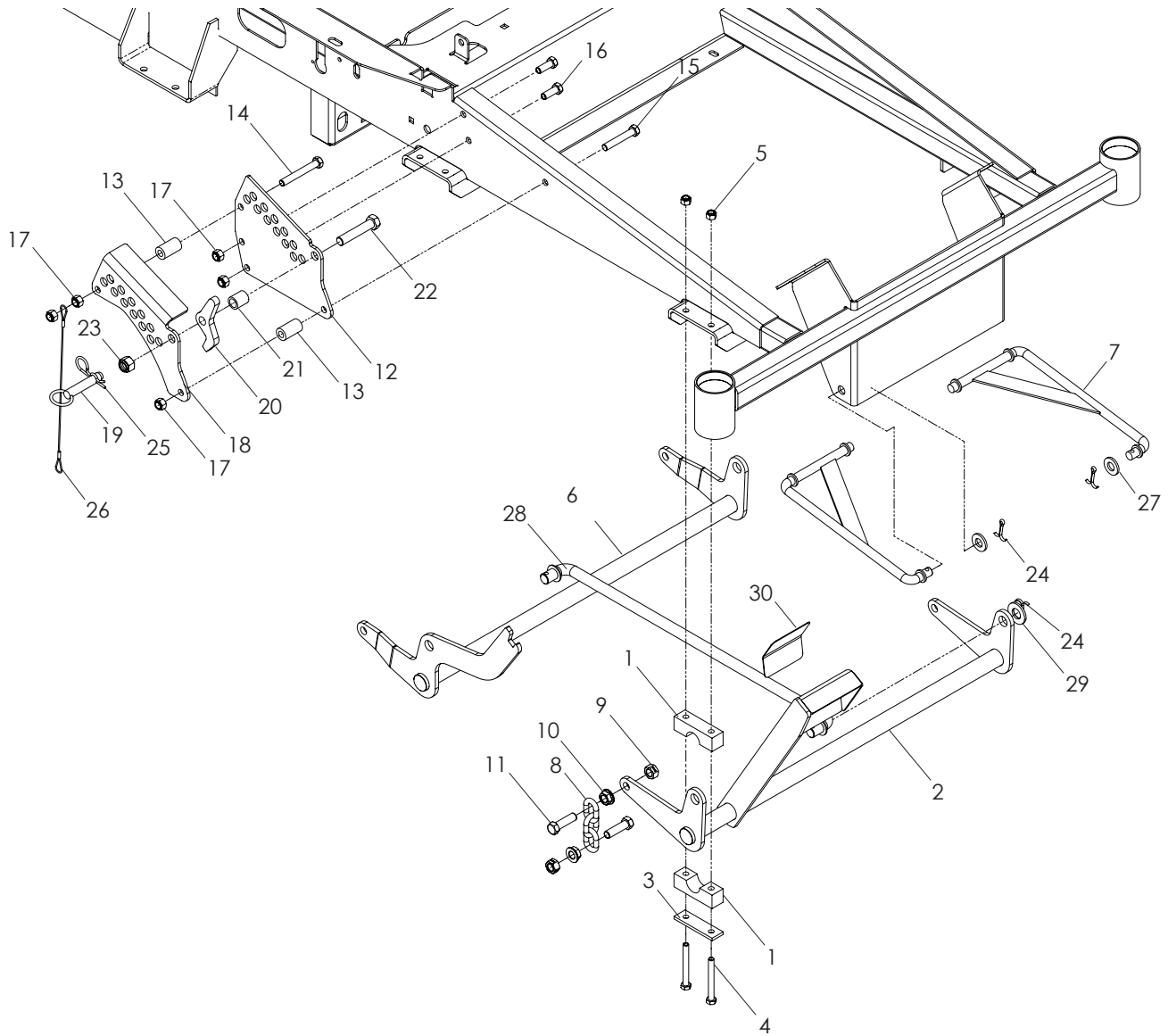


# HYDRAULIC PUMP-MOTOR

---

ITEM	PART NO.	QTY.	DESCRIPTION	ITEM	PART NO.	QTY.	DESCRIPTION
1..	539 101173	.....8	NUT 1/2-20 LUG	25..	539 112407	.....1	PULLEY, IDLER PLATE
2..	539 101721	.....4	HCS 5/16-18 x 2 3/4	26..	539 112949	.....2	SWIVEL, 1/4-28
3..	539 101224	.....2	SPRING	27..	539 923515	.....1	SPACER
4..	539 103256	.....1	SPRING, EXTENSION	28..	539 976938	.....4	HCS 5/16-18 x 2 1/4
5..	539 104334	.....1	BELT, PUMP	29..	539 976978	.....2	NUT 1/4-20 NYLOC
6..	539 108739	.....2	NUT 1/4-28	30..	539 976979	.....4	NUT 3/8-16 NYLOC
7..	539 109800	.....2	RHSNB 1/4-20 x 1	31..	539 976988	.....6	PIN, HAIR, .073 x 1 7/16
8..	539 110311	.....2	PULLEY, IDLER	32..	539 990118	.....2	WASHER 3/8
9..	539 110943	.....4	NUT 5/16 NYLOC	33..	539 990188	.....12	WASHER 5/16 SAE
10..	539 101231	.....1	SPINDLE, IDLER	34..	539 990316	.....4	RHSNB 5/16-18 x 3/4
11..	539 101331	.....1	NUT 1/2-13 NYLOC	35..	539 990588	.....3	HCS 3/8-16 x 2
12..	539 101332	.....1	HCS 1/2-13 1/4 x 2 3/4	36..	539 990613	.....1	NUT 3/8-16 WHIZLK
13..	539 101350	.....1	HCS 3/8-16 x 3 TAP	37..	539 990655	.....1	HCS 3/8-16 x 1 1/2
14..	539 112092	.....1	ARM, IDLER	38..	539 990717	.....14	NUT 5/16-18 NYLOC
15..	539 112670	.....1	HEAVY WASHER	39..	539 113466	.....2	OIL FILTER
16..	539 990692	.....4	WASHER 5/16	40..	539 112099	.....2	DRIVE LINKAGE
17..	539 112308	.....2	BRAKE SWIVEL	41..	539 990223	.....6	NUT 5/16-24
18..	539 112309	.....2	BRAKE LINKAGE	42..	539 991073	.....2	NUT 5/16-24, LH
19..	539 112316	.....1	ZT2800, RIGHT	43..	539 110604	.....2	ROD END, LEFT
20..	539 112317	.....1	ZT2800, LEFT	44..	539 110603	.....2	ROD END, RIGHT
21..	539 112318	.....1	EXPANSION TANK W/CAP	45..	539 112669	.....1	HOSE KIT
22..	539 112449	.....1	CAP	46..	539 130516	.....2	TAB, SPRING
23..	539 112319	.....2	BYPASS LINKAGE	47..	539 977250	.....2	SPRING
24..	539 112342	.....1	2800 CROSS SUPPORT				

# MOWER LIFT / DECK LIFT

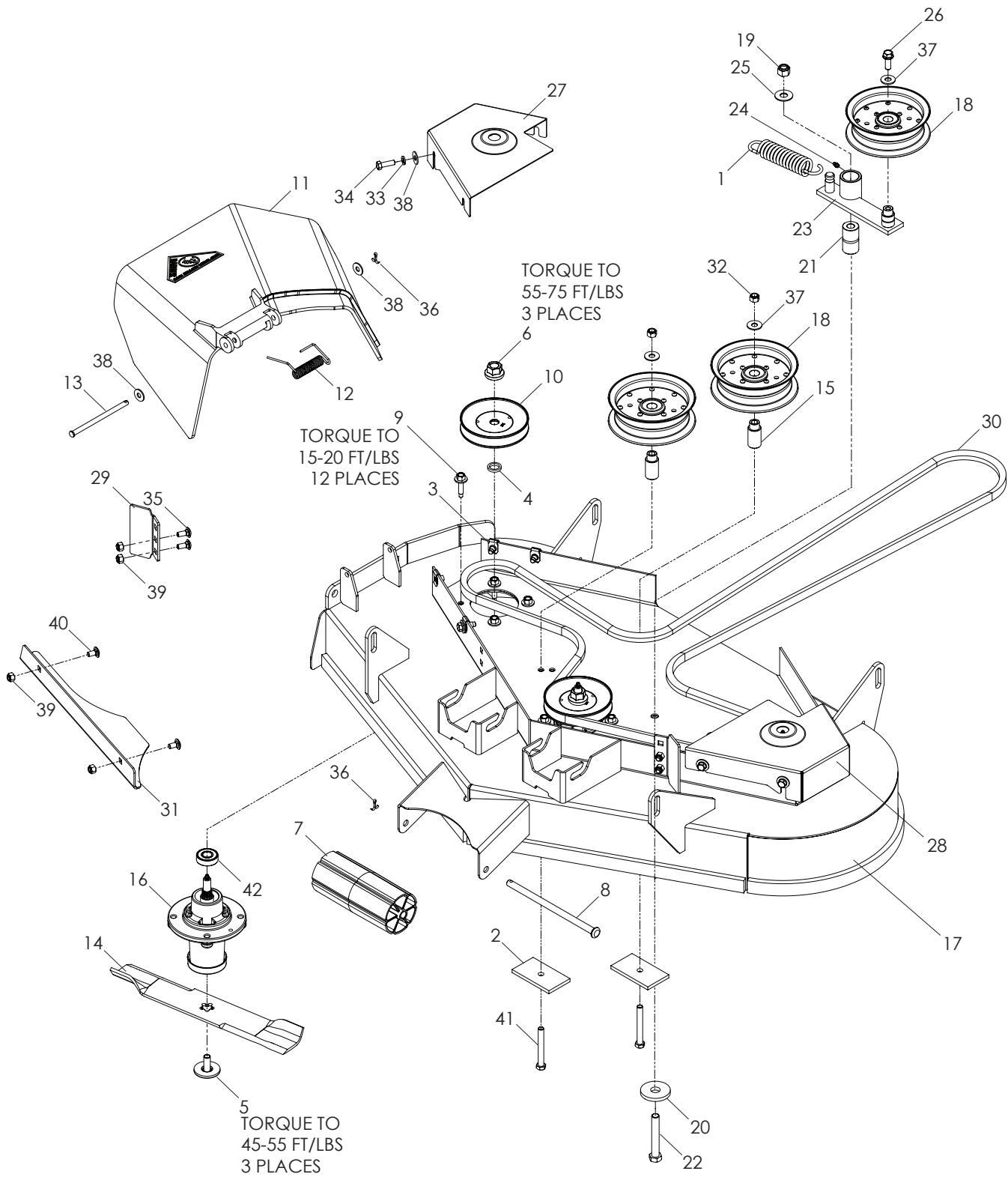


# MOWER LIFT / DECK LIFT

---

ITEM	PART NO.	QTY.	DESCRIPTION	ITEM	PART NO.	QTY.	DESCRIPTION
1..	539 104808	.....8	... PILLOW BLOCK	16..	539 990563	.....2	... HCS $\frac{3}{8}$ -16 x 1
2..	539 112220	.....1	... FRONT LIFT SHAFT	17..	539 976979	... 11	... NUT $\frac{3}{8}$ -16 NYLOC
3..	539 104807	.....4	... REINFORCEMENT BAR	18..	539 112232	.....1	... HT ADJ PLATE, OUTER
4..	539 101721	.....8	... HCS $\frac{5}{16}$ -18 x $2\frac{3}{4}$	19..	539 102526	.....1	... LIFT PIN
5..	539 990717	.....8	... NUT $\frac{5}{16}$ -18 NYLOC	20..	539 112234	.....1	... PAWL, STOP
6..	539 112224	.....1	... REAR LIFT SHAFT	21..	539 112236	.....1	... SPACER
7..	539 112223	.....2	... STRUT LINKAGE	22..	539 108346	.....1	... HCS $\frac{1}{2}$ -13 x $2\frac{1}{2}$
8..	539 109693	.....4	... LIFT CHAIN, 3 LINKS	23..	539 101331	.....1	... NUT $\frac{1}{2}$ -13 NYLOC
9..	539 990839	.....8	... NUT $\frac{7}{16}$ -14 CENTERLOCK	24..	539 990654	.....6	... COTTER PIN, $\frac{5}{32}$ x $1\frac{1}{4}$
10..	539 102582	.....8	... NUT $\frac{7}{16}$ -14 WHIZLK	25..	539 976989	.....1	... HAIRPIN, #4
11..	539 101175	.....8	... HCS $\frac{7}{16}$ -14 x $1\frac{1}{2}$	26..	539 105059	.....1	... LANYARD
12..	539 112230	.....1	... HEIGHT ADJUST PLATE	27..	539 990250	.....2	... WASHER $\frac{1}{2}$ SAE
13..	539 104530	.....2	... SPACER	28..	539 110808	.....2	... DECK LIFT LINK
14..	539 102612	.....1	... HCS $\frac{3}{8}$ -16 x $2\frac{3}{4}$	29..	539 976982	.....4	... WASHER $\frac{5}{8}$ SAE
15..	539 990629	.....3	... HCS $\frac{3}{8}$ -16 x $2\frac{1}{4}$	30..	539 105187	.....1	... ANTI-SKID PAD

# 42 INCH CUTTING DECK

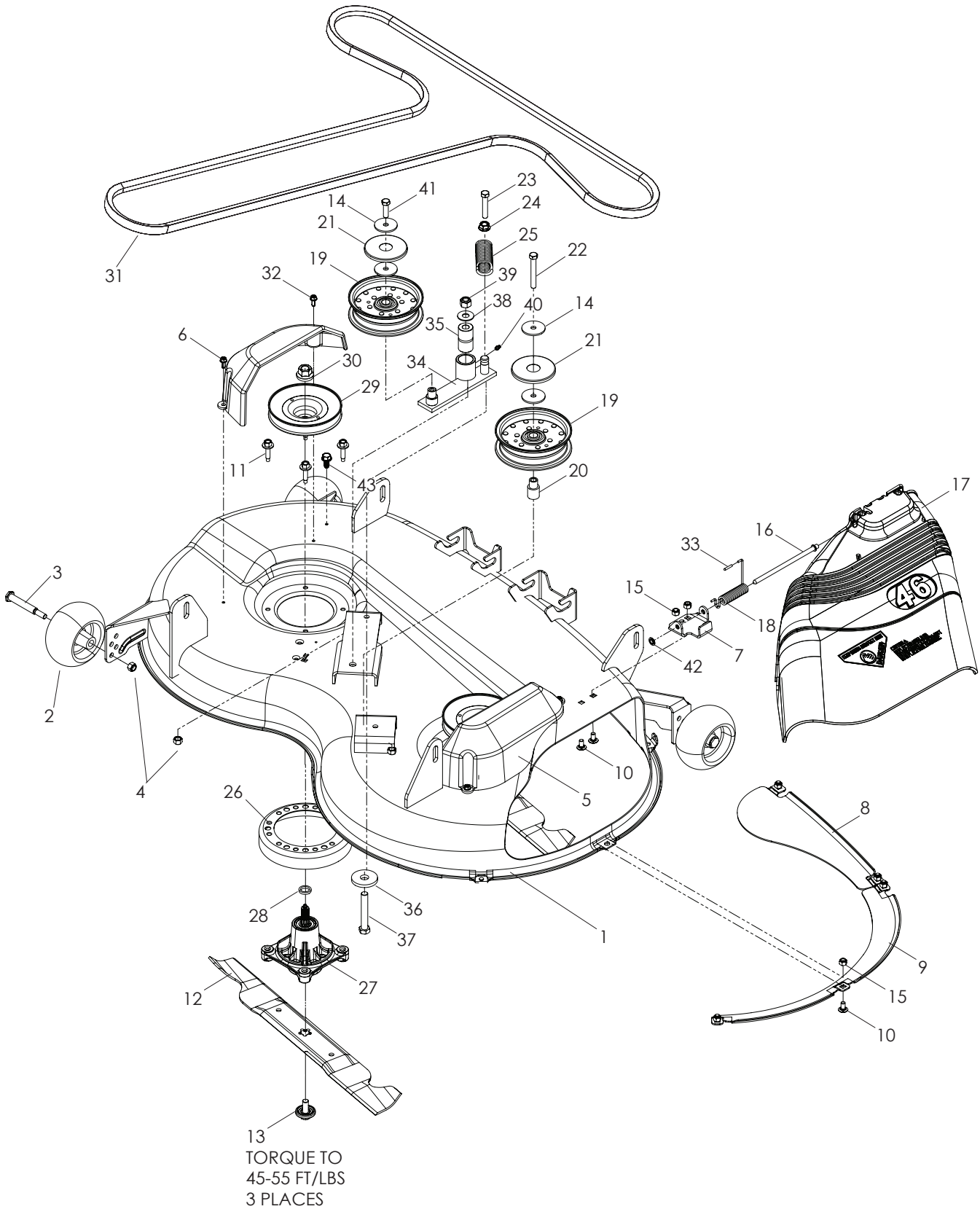


# 42 INCH CUTTING DECK

---

ITEM	PART NO.	QTY.	DESCRIPTION	ITEM	PART NO.	QTY.	DESCRIPTION
1..	539 103256	.....1	... SPRING, EXTENSION	22..	539 103433	.....1	... HCS ½-13 x 3¼
2..	539 103303	.....2	... PAD	23..	539 112198	.....1	... ARM, IDLER
3..	539 104763	.....8	... NUT 5/16-18 RETAINER-U	24..	539 976998	.....1	... ZERK, STRAIGHT ¼-28
4..	539 107520	.....3	... WASHER, SPACER	25..	539 990550	.....1	... WASHER 9/16
5..	539 107522	.....3	... BOLT 7/16 SPEC	26..	539 990582	.....1	... HCS 3/8-16 x 1 WHIZLK
6..	539 107590	.....3	... NUT 9/16 TOP CNTRLOCK	27..	539 112238	.....1	... BELTSHIELD, RIGHT
7..	532 176066	.....1	... ROLLER, NOSE	28..	539 112240	.....1	... BELTSHIELD, LEFT
8..	539 107613	.....1	... ROD, ROLLER, NARROW	29..	539 112248	.....2	... DECK STOP
9..	539 107630	...12	... SCREW 5/16-18 x 1¾ WSH HD	30..	539 112334	.....1	... BELT
10..	539 110315	.....3	... PULLEY, MANDREL	31..	539 112413	.....1	... PLATE, CONFINEMENT
11..	539 110731	.....1	... CHUTE, DISCHARGE	32..	539 976979	.....2	... NUT 3/8-16 NYLOC
12..	539 110735	.....1	... SPRING, TORSION	33..	539 990187	.....8	... LOCKWASHER 5/16
13..	539 110736	.....1	... PIN-CLEVIS, 5/16 DIA x 5.19	34..	539 990209	.....8	... HCS 5/16-18 x 1
14..	539 112078	.....3	... BLADE, 14.625"	35..	539 990316	.....4	... RHSNB 5/16-18 x ¾
15..	539 112169	.....2	... BUSHING, IDLER	36..	539 990365	.....2	... PIN, COTTER 1/8 x ¾
16..	539 112170	.....3	... HOUSING ASSEMBLY	37..	539 990517	.....3	... WASHER 3/8
17..	539 112748	.....1	... DECK W/DECALS	38..	539 990692	...10	... WASHER 5/16
18..	539 132728	.....3	... PULLEY, IDLER NYLON	39..	539 990717	.....6	... NUT 5/16-18 NYLOC
19..	539 101331	.....1	... NUT ½-13 NYLOC	40..	539 990799	.....2	... RHSNB 5/16-18 x 5/8
20..	539 102243	.....1	... WASHER .65 SUPPORT	41..	539 101341	.....2	... HCS 3/8-16 x 3
21..	539 103427	.....1	... BUSHING, PIVOT	42..	539 112050	.....3	... BEARING, BALL

# 46 INCH CUTTING DECK

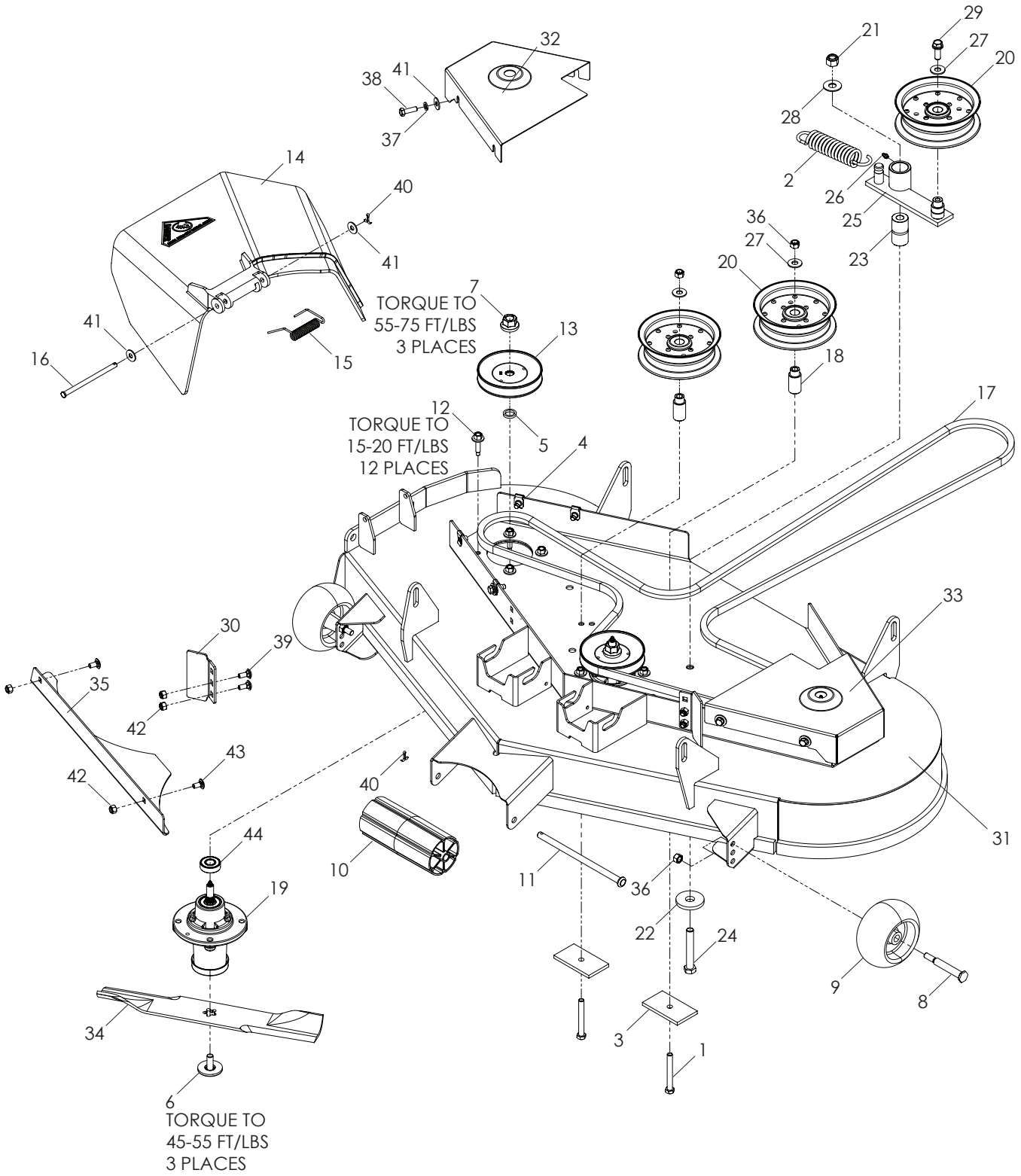


# 46 INCH CUTTING DECK

---

ITEM	PART NO.	QTY.	DESCRIPTION	ITEM	PART NO.	QTY.	DESCRIPTION
1..	539 131487	.....1	... DECK W/DECALS	23..	539 990588	.....1	... HCS 3/8-16 x 2
2..	539 107610	.....3	... WHEEL GAUGE	24..	539 990613	.....1	... NUT 3/8-16 WHIZLK
3..	539 107608	.....3	... SB 1/2 x 2 5/8	25..	539 103256	.....1	... SPRING, EXTENSION
4..	539 976979	.....5	... NUT 3/8-16 NYLOC	26..	539 107518	.....2	... STRIPPER, ROUND
5..	532 405506	.....1	... SHIELD, BELT, RIGHT	27..	539 107515	.....2	... CUTTER HOUSING
6..	532 405507	.....1	... SHIELD, BELT, LEFT	28..	539 107520	.....2	... WASHER, SPACER
7..	532 192557	.....1	... BRACKET, DEFLECTOR	29..	539 113962	.....2	... PULLEY, DRIVEN
8..	532 403149	.....1	... BAFFLE, FRONT	30..	539 107590	.....2	... NUT 9/16 TOP CNTRLOCK
9..	532 403150	.....1	... BAFFLE, FRONT, RIGHT	31..	539 113917	.....1	... BELT, DECK
10..	539 990799	.....7	... RHSNB 5/16-18 x 5/8	32..	539 107631	.....4	... SCREW 1/4-20 x 5/8 THDROLL
11..	539 107630	.....8	... SCREW 5/16-18 x 1 3/8 WSH HD	33..	539 107627	.....1	... CAP, SLEEVE
12..	777 405380	.....2	... BLADE 46" HI-LIFT	34..	539 103230	.....1	... ARM, IDLER
13..	532 193003	.....2	... BOLT, WASHER 7/16-20 UNF	35..	539 103427	.....1	... BUSHING, PIVOT
14..	539 111897	.....4	... WASHER 3/8 SPECIAL	36..	539 102243	.....1	... WASHER .65 SUPPORT
15..	539 990717	.....7	... NUT 5/16-18 NYLOC	37..	539 103433	.....1	... HCS 1/2-13 x 3 1/4
16..	539 110462	.....1	... ROD, HINGE	38..	539 990550	.....1	... WASHER 9/16
17..	532 405357	.....1	... SHIELD, DEFLECTOR	39..	539 101331	.....1	... NUT 1/2-13 NYLOC
18..	539 107609	.....1	... SPRING, TORSION	40..	539 976998	.....1	... ZERK
19..	539 103257	.....2	... PULLEY, IDLER	41..	539 976941	.....1	... HCS 3/8-16 x 1 1/4
20..	539 103295	.....1	... BUSHING, IDLER	42..	539 107626	.....1	... PUSHNUT
21..	539 108450	.....2	... TOP DUST CAP	43..	539 133027	.....1	... SCREW 3/8-16 x 3/4 THD CUT
22..	539 106492	.....1	... HCS 3/8-16 x 2 3/4				

# 48 INCH CUTTING DECK





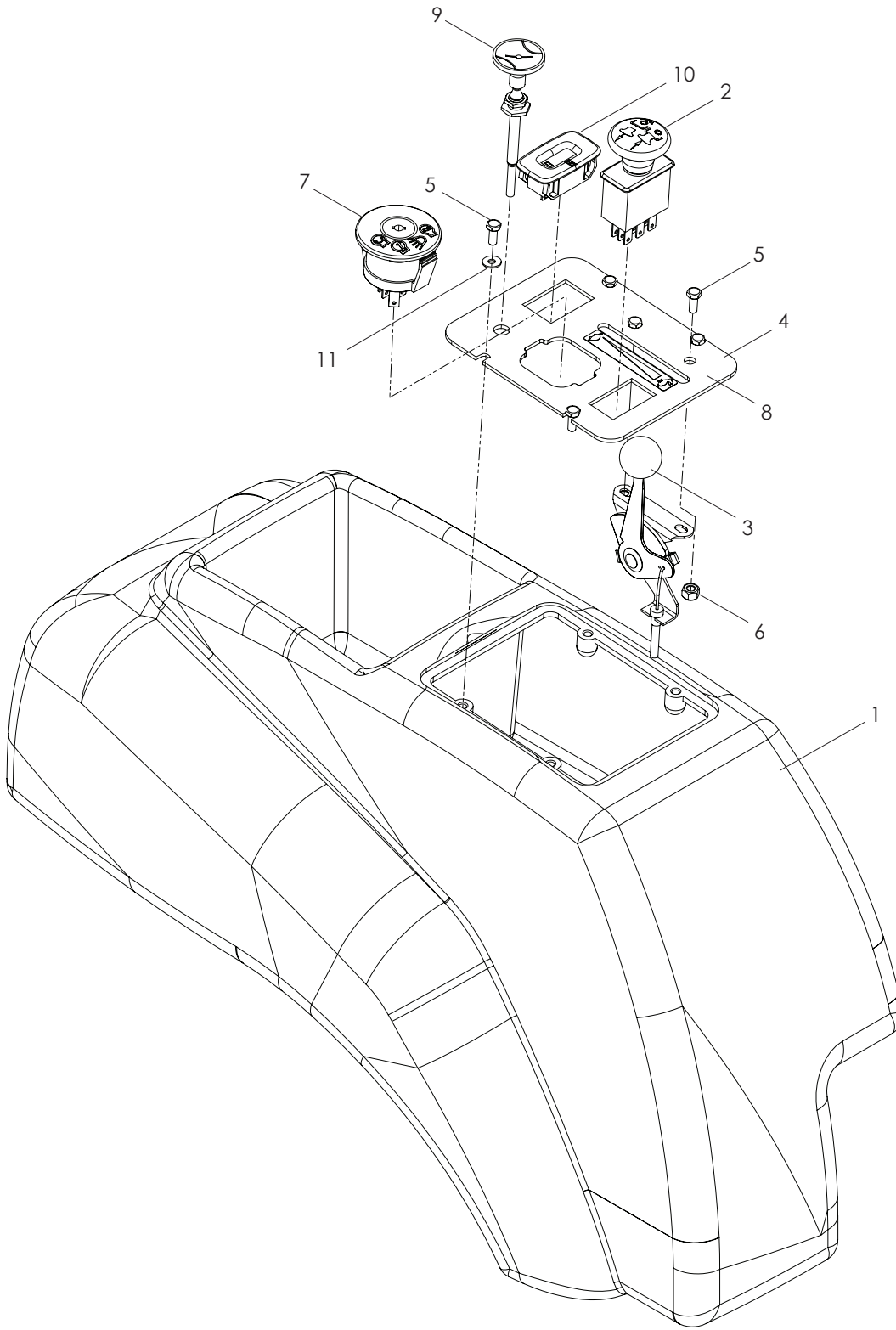
# 48 INCH CUTTING DECK

---

ITEM	PART NO.	QTY.	DESCRIPTION	ITEM	PART NO.	QTY.	DESCRIPTION
1..	539 101341	.....2	... HCS $\frac{3}{8}$ -16 x 3	23..	539 103427	.....1	... BUSHING, PIVOT
2..	539 103256	.....1	... SPRING, EXTENSION	24..	539 103433	.....1	... HCS $\frac{1}{2}$ -13 x $3\frac{1}{4}$
3..	539 103303	.....2	... PAD	25..	539 112198	.....1	... ARM, IDLER
4..	539 104763	.....8	... NUT $\frac{5}{16}$ -18 RETAINER-U	26..	539 976998	.....1	... ZERK, STRAIGHT $\frac{1}{4}$ -28
5..	539 107520	.....3	... WASHER, SPACER	27..	539 990517	.....3	... WASHER $\frac{3}{8}$
6..	539 107522	.....3	... BOLT $\frac{7}{16}$	28..	539 990550	.....1	... WASHER $\frac{9}{16}$
7..	539 107590	.....3	... NUT $\frac{9}{16}$ TOP CNTRLOCK	29..	539 990582	.....1	... HCS $\frac{3}{8}$ -16 x 1 WHIZLK
8..	539 107608	.....3	... SB $\frac{1}{2}$ x $2\frac{5}{8}$	30..	539 112248	.....2	... DECK STOP
9..	539 107610	.....2	... WHEEL, GAUGE	31..	539 114047	.....1	... 48" DECK W/DECALS
10..	532 176066	.....1	... ROLLER, NOSE	32..	539 114051	.....1	... BELT SHIELD W/DECAL, RT
11..	539 107613	.....1	... ROD, ROLLER, NARROW	33..	539 114052	.....1	... BELT SHIELD W/DECAL, LT
12..	539 107630	...12	... SCREW $\frac{5}{16}$ -18 x $1\frac{3}{8}$ WSH HD	34..	539 113425	.....3	... BLADE, 16 $\frac{1}{4}$ "
13..	539 110315	.....3	... PULLEY, MANDREL	35..	539 113427	.....1	... PLATE, CONFINEMENT
14..	539 110732	.....1	... CHUTE, DISCHARGE	36..	539 976979	.....4	... NUT $\frac{3}{8}$ -16 NYLOC
15..	539 110735	.....1	... SPRING, TORSION	37..	539 990187	.....8	... LOCKWASHER $\frac{5}{16}$
16..	539 110736	.....1	... PIN, CLEVIS $\frac{5}{16}$ DIA x 5.19	38..	539 990209	.....8	... HCS $\frac{5}{16}$ -18 x 1
17..	539 110832	.....1	... DECK BELT	39..	539 990316	.....4	... RHSNB $\frac{5}{16}$ -18 x $\frac{3}{4}$
18..	539 112169	.....3	... BUSHING, IDLER	40..	539 990365	.....2	... PIN, COTTER $\frac{1}{8}$ x $\frac{3}{4}$
19..	539 112170	.....3	... HOUSING ASSEMBLY	41..	539 990692	...10	... WASHER $\frac{5}{16}$
20..	539 132728	.....3	... PULLEY, IDLER	42..	539 990717	.....6	... NUT $\frac{5}{16}$ -18 NYLOC
21..	539 101331	.....1	... NUT $\frac{1}{2}$ -13 NYLOC	43..	539 990799	.....2	... RHSNB $\frac{5}{16}$ -18 x $\frac{5}{8}$
22..	539 102243	.....1	... WASHER .65 SUPPORT	44..	539 112050	.....3	... BEARING, BALL

# CONTROLS

---



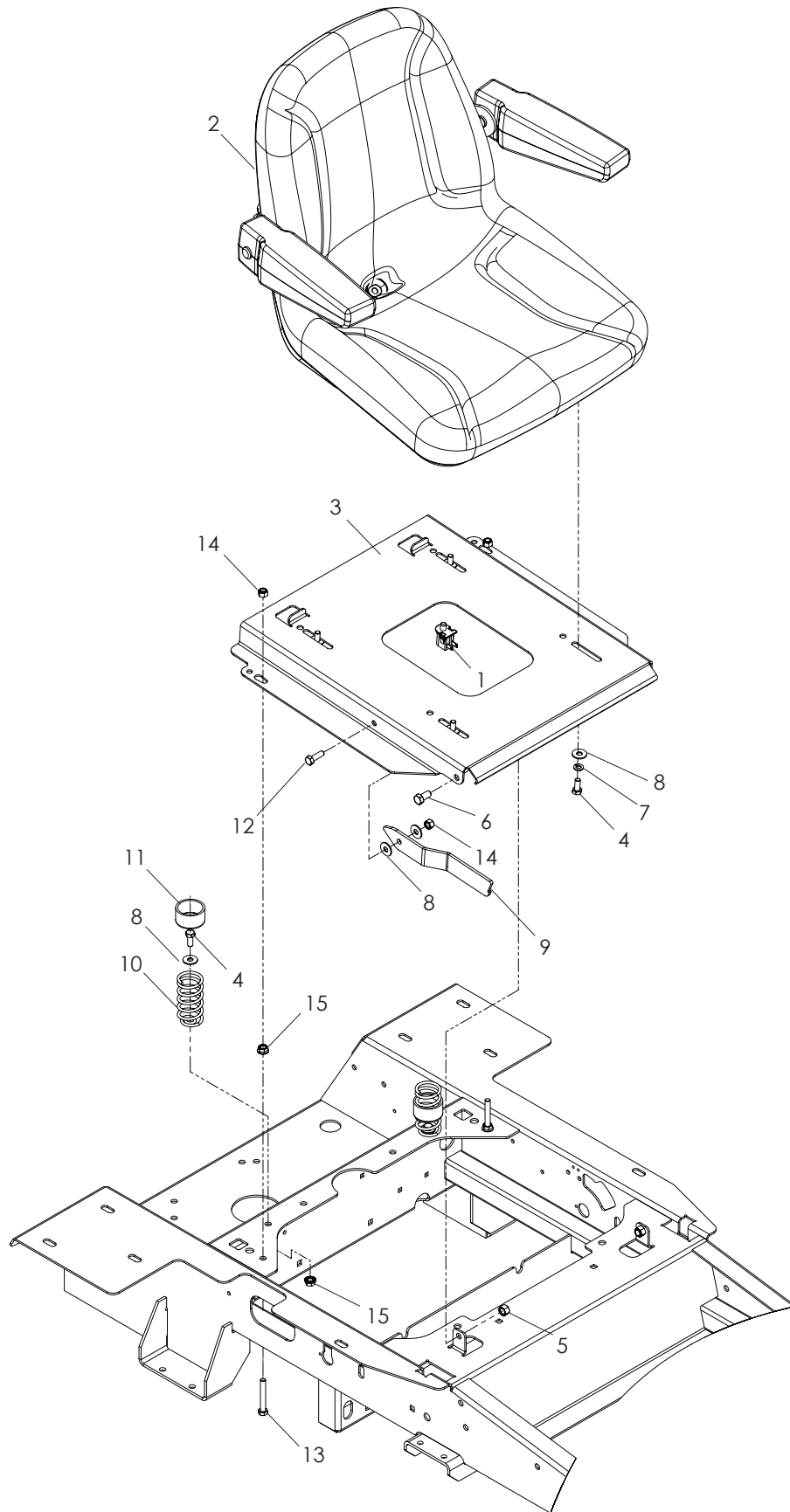
# CONTROLS

---

ITEM	PART NO.	QTY.	DESCRIPTION
1..	539 107593	.....1 ...	CONSOLE
2..	539 101768	.....1 ...	SWITCH, CLUTCH
3..	539 112438	.....1 ...	CABLE, THROTTLE
4..	539 109858	.....1 ...	PLATE, CONSOLE
5..	539 990411	.....6 ...	HCS #10-24 x ½
6..	539 976977	.....2 ...	NUT #10-24 NYLOC

ITEM	PART NO.	QTY.	DESCRIPTION
7..	539 107541	.....1 ...	SWITCH, IGNITION
8..	539 109838	.....1 ...	DECAL, THROTTLE
9..	539 130209	.....1 ...	CONTROL, CHOKE
10..	539 110074	.....1 ...	METER, HOUR
11..	539 105408	.....4 ...	WASHER #10

# SEAT



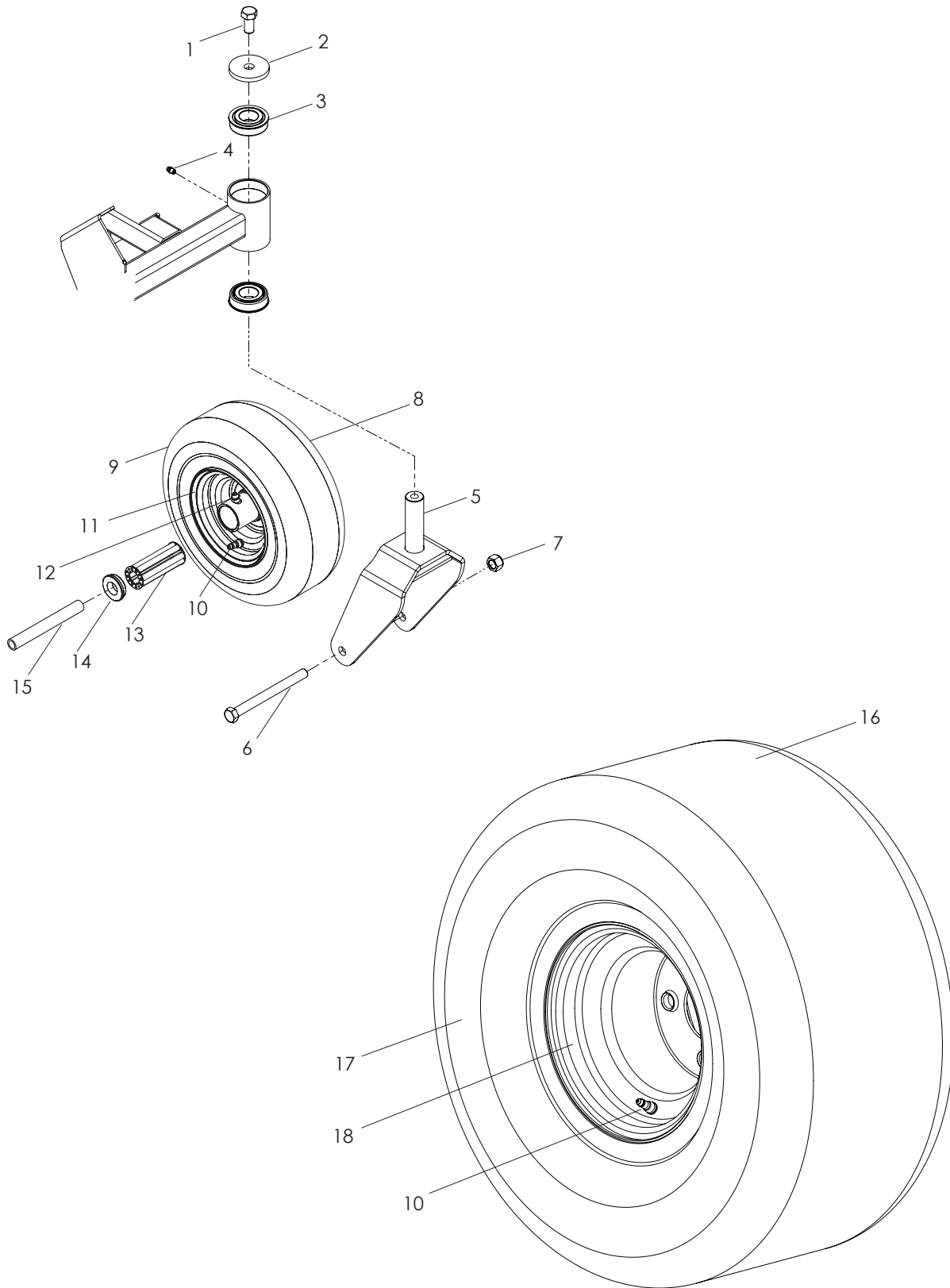
# SEAT

---

ITEM	PART NO.	QTY.	DESCRIPTION
1..	539 119741	.....1	... SWITCH, SEAT
2..	539 108744	.....1	... SEAT W/ARMREST
3..	539 131849	.....1	... PAN, SEAT
4..	539 976934	.....6	... HCS $\frac{5}{16}$ -18 x $\frac{3}{4}$
5..	539 976979	.....2	... NUT $\frac{3}{8}$ -16 NYLOC
6..	539 990134	.....2	... HCS $\frac{3}{8}$ -16 x $\frac{3}{4}$
7..	539 990187	.....4	... LOCKWASHER $\frac{5}{16}$
8..	539 990692	.....8	... WASHER $\frac{5}{16}$

ITEM	PART NO.	QTY.	DESCRIPTION
9..	539 114631	.....1	... ARM, PROP
10..	539 122632	.....2	... SPRING, SEAT
11..	539 119884	.....2	... CAP, SPRING
12..	539 990209	.....1	... HCS $\frac{5}{16}$ -18 x 1
13..	539 991055	.....2	... HCS $\frac{5}{16}$ -18 x $2\frac{1}{4}$ TAP
14..	539 990717	.....3	... NUT $\frac{5}{16}$ -18 NYLOC
15..	539 990585	.....4	... NUT $\frac{5}{16}$ -18 WHIZLK

# WHEELS AND TIRES

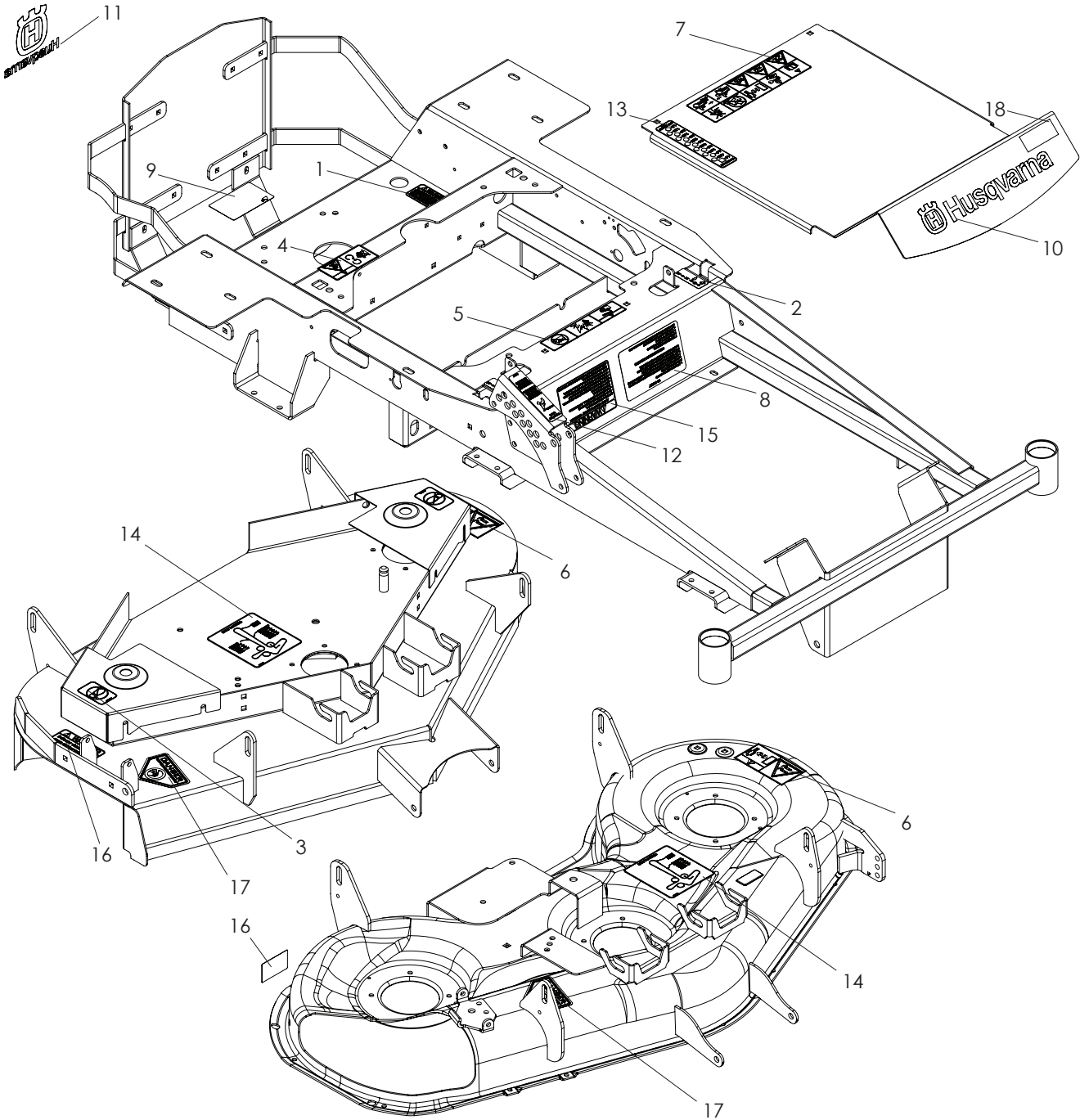


# WHEELS AND TIRES

---

ITEM	PART NO.	QTY.	DESCRIPTION	ITEM	PART NO.	QTY.	DESCRIPTION
1..	539 990646	.....2	HCS 1/2-13 x 1	16..	539 130820	.....2	TIRE & RIM, REAR
2..	539 112670	.....2	HEAVY WASHER	..	539 131996	.....2	TIRE & RIM, REAR
3..	539 112660	.....4	BEARING, FLANGED				Model EZ4824
4..	539 101474	.....4	ZERK				After Serial No. 0749xxxxx
5..	539 113444	.....2	CASTER YOKE	..	539 131110	.....2	TIRE & RIM, REAR
6..	539 101907	.....2	HCS 1/2-13 x 5 1/2				Model EZ4624
7..	539 101331	.....2	NUT 1/2-13 NYLOC				After Serial No. 0805xxxxx
8..	539 106993	.....2	CASTER TIRE, COMPLETE	..	539 112212	.....2	TIRE & RIM, REAR
			Items 8-14				MODEL EZ4220
9..	539 106995	.....2	TIRE, 4 PLY, 410/350-5	17..	539 130822	.....1	TIRE
10..	539 912234	.....2	VALVE STEM	..	539 131997	.....2	TIRE, REAR
11..	539 106994	.....2	RIM				Model EZ4824
12..	539 103300	.....2	ZERK				After Serial No. 0749xxxxx
13..	539 105307	.....1	ROLLER BEARING 3 1/4	..	539 131109	.....2	TIRE, REAR
14..	539 102484	.....4	BEARING, FLANGED				Model EZ4624
15..	539 105543	.....2	SPACER				After Serial No. 0805xxxxx
				..	539 112213	.....1	TIRE, MODEL EZ4220
				18..	539 112217	.....1	RIM
				..	539 112214	.....1	RIM, MODEL EZ4220

# DECALS





# DECALS

---

ITEM	PART NO.	QTY.	DESCRIPTION	ITEM	PART NO.	QTY.	DESCRIPTION
1..	539 101881 .....	1 ...	DECAL, PROP 65	11..	539 111055.....	1 ...	DECAL, CROWN
2..	539 103333 .....	2 ...	DECAL, MOTION CONTROL	12..	539 112657 .....	1 ...	DECAL, TRNSPORT RELEASE
3..	539 105743 .....	2 ...	DECAL, NO STEP	13..	539 112785 .....	1 ...	DECAL, HEIGHT ADJSTMENT
4..	539 105744 .....	1 ...	DECAL, DANGER BELT	14..	539 113442 .....	1 ...	DECAL, BELT ROUTING
5..	539 105745 .....	1 ...	DECAL, BATTERY WARNING	15..	539 113213 .....	1 ...	DECAL, WARNING
6..	539 105746 .....	1 ...	DECAL, SEVERING	16..	539 113224 .....	1 ...	DECAL, CAUTION
7..	539 107959 .....	1 ...	DECAL, WARNING	17..	539 913010 .....	1 ...	DECAL, WARNING
8..	539 108179 .....	1 ...	DECAL, START	18..	539 131321 .....	1 ...	DECAL, EZ4220
9..	539 108385 .....	1 ...	DECAL, DO NOT TOW	..	539 131287 .....	1 ...	DECAL, EZ4624
10..	539 111047.....	1 ...	DECAL, HUSQVARNA	..	539 131438 .....	1 ...	DECAL, EZ4824

