

# ILLUSTRATED PARTS LIST

# Husqvarna

## ROTARY LAWN MOWER

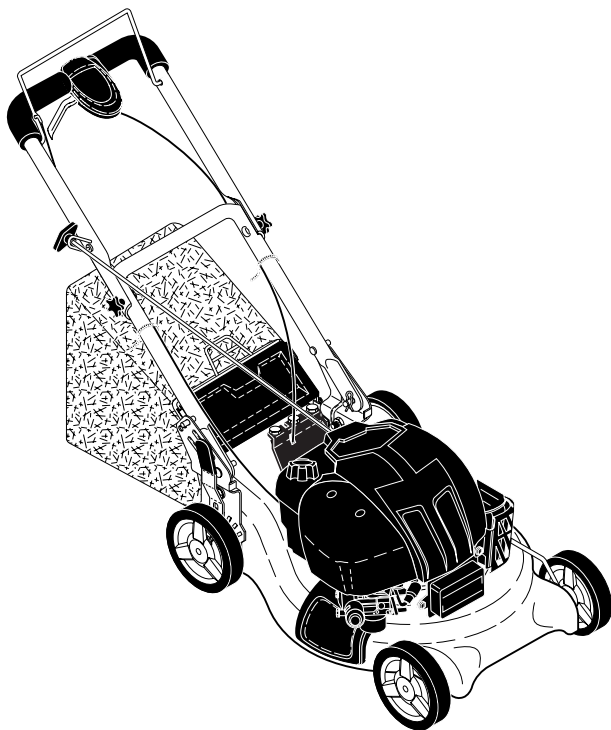
875 Series Briggs & Stratton Engine

Power-Propelled

21" Multi-Cut

Model No.

**917.374456**



### **CAUTION:**

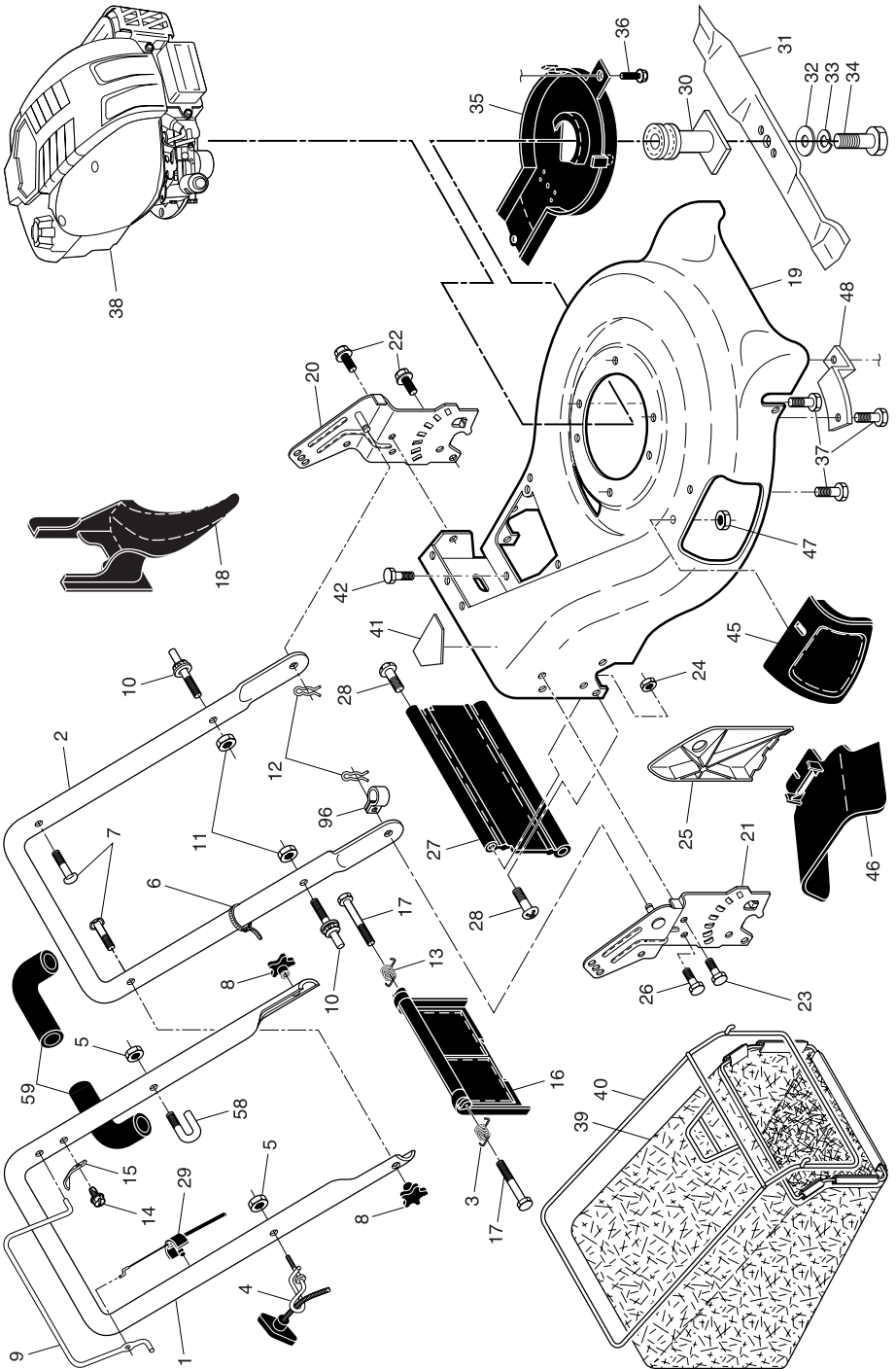
Read and follow all  
Safety Rules and Instructions  
before operating this equipment

Sears, Roebuck and Co., Hoffman Estates, IL 60179 U.S.A.

Visit our Craftsman website: [www.sears.com/craftsman](http://www.sears.com/craftsman)

# REPAIR PARTS

HUSQVARNA ROTARY LAWN MOWER -- MODEL NUMBER 917.374456



## HUSQVARNA ROTARY LAWN MOWER -- MODEL NUMBER 917.374456

KEY NO.	PART NO.	DESCRIPTION	KEY NO.	PART NO.	DESCRIPTION
1	199982	Upper Handle Assembly (Includes Foam Grip)	29	191221	Cable, Operator Presence
2	193664X498	Handle, Lower	30	189179	Blade Adapter / Pulley
3	405416	Spring, Rear Door, RH	31	406712	Blade, 21"
4	194788	Rope Guide	32	851074	Washer
5	132004	Nut, Hex, with Lockwasher Insert 1/4-20	33	850263	Washer, Lock
6	66426	Wire, Tie	34	851084	Bolt, Hex Head
7	191574	Bolt, Handle 5/16-18 x 2-5/8	35	405843	Debris Shield
8	185588	Knob, Handle	36	192325	Bolt
9	194580X422	Control Bar	37	150406	Bolt, Engine
10	188821	Pin, Handle Adjustment	38	---	Engine, Briggs & Stratton, Model Number 128602-1102-E1 (See Breakdown)
11	751153	Nut, Hex	39	409726	Grassbag
12	51793	Cotter, Hairpin	40	411951	Frame, Grassbag
13	405415	Spring, Rear Door, LH	41	404763	Danger Decal
14	750634	Screw	42	54583	Screw
15	850733X004	Bracket, Upstop	45	183058X418	Mulcher Door Assembly
16	401815X428	Rear Door Assembly	46	169699X418	Discharge Guard
17	184193	Bolt, Rear Door	47	88349	Nut, Hex
18	198170	Plug, Mulcher	48	188839X004	Mounting Bracket, Debris Shield
19	410453	Kit, Housing	58	182003	Clip, Packaging
20	193917X422	Handle Bracket Assembly, LH	59	182748	Grip, Foam
21	193916X422	Handle Bracket Assembly, RH	96	197991	Clip, Cable
22	150078	Screw, Hex Washer Head	--	404764	Warning Decal (not shown)
23	163183	Bolt, Hex Head 5/16-18 x 5/8	--	419903	Owner's Manual, English / Spanish
24	73800500	Nut, Hex, with Lockwasher Insert 5/16-18	Available accessories not included with lawn mower:		
25	161333	Baffle, Side	--	71 33623	Gas Can (2.5 Gallon Container)
26	163409	Screw, Hi-Lo Thread #12 x 5/8	--	71 33500	Fuel Stabilizer
27	408442	Skirt, Rear	--	71 33000	SAE 30W Oil (20 Ounce Bottle)
28	88652	Screw, Hinge 1/4-20 x 1.25			

**NOTE:** All component dimensions given in U.S. inches. 1 inch = 25.4 mm.

**IMPORTANT:** Use only Original Equipment Manufacturer (O.E.M.) replacement parts. Failure to do so could be hazardous, damage your lawn mower and void your warranty.

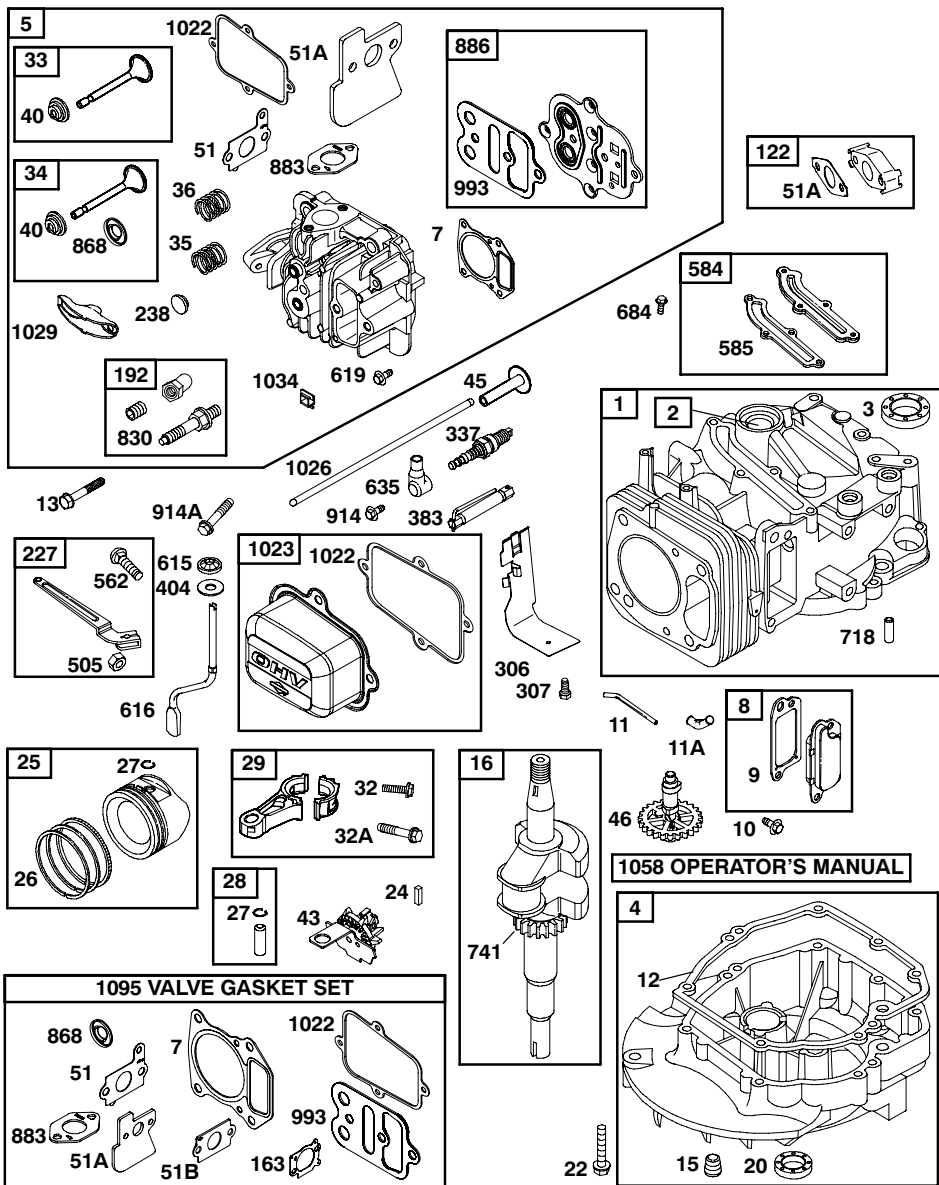


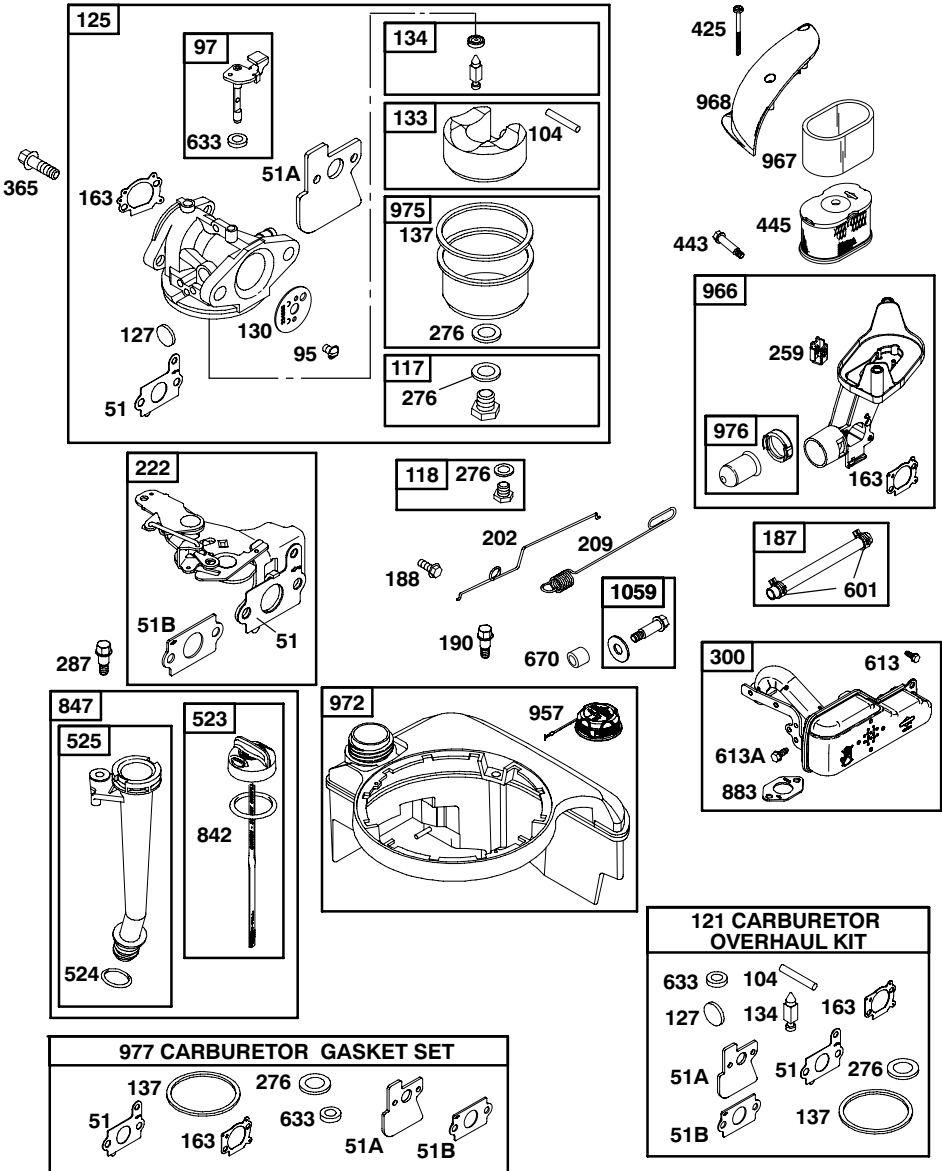
## HUSQVARNA ROTARY LAWN MOWER -- MODEL NUMBER 917.374456

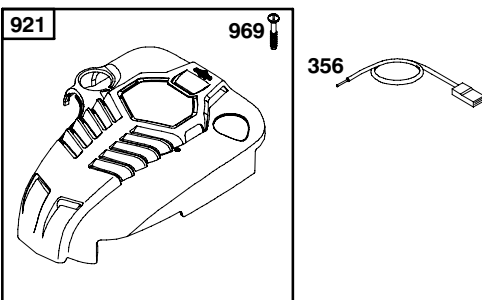
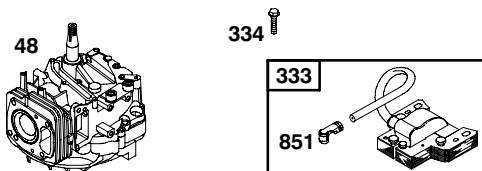
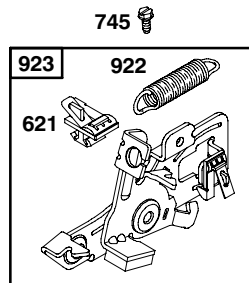
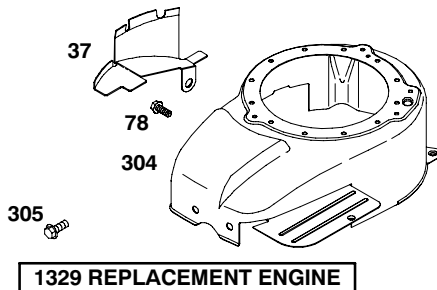
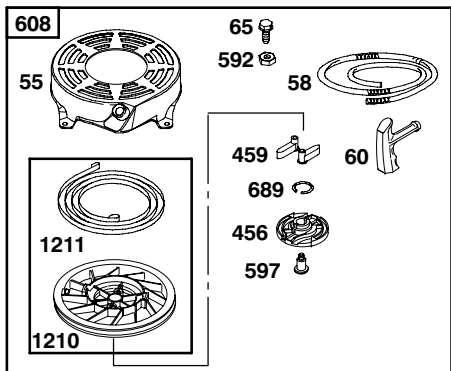
KEY NO.	PART NO.	DESCRIPTION	KEY NO.	PART NO.	DESCRIPTION	KEY NO.	PART NO.	DESCRIPTION
1	407344	Drive Control Assembly	25	199775X418	Cover Drive	47	67725	Washer, Flat
2	406260X460	Cover, Top	26	750634	Screw, Threaded, Rolled #10-25 x .50	49	163409	Screw, Hi-Lo Thread Belt Keeper
3	406262	Pulley	28	12000058	E-Ring 7/16	50	404832X004	Case, Upper
4	190039	Lever, Drive Control	29	189403	Cover, Dust, Wheel	61	412757	Shaft, Output, Long
5	406261X460	Cover, Bottom	31	404845	Pawl	62	183508	Seal, Output Shaft
6	181698	Screw	32	405746X460	Wheel & Tire Assembly, Rear 8 x 1-3/4	63	183511	Bushing
7	400235X479	Mounting Bracket	33	409148	Nut, Flangelock 3/8-16	64	183509	Washer
9	406258	Cable, Drive	34	851226	Washer	65	183514	Seal, Worm Shaft
11	406558	Spring, Return	35	403102X004	Shaft Assembly, Rear	66	183506	Bearing, Ball
13	404839	Gear Case Assembly	36	407175X004	Shaft Assembly, Front	67	412742	Gear, 28 Teeth
14	193443	Pulley, Drive	37	161463	Retainer, Front Shaft	68	412739	Fixed Dog Clutch, LH
15	88348	Washer, Flat	38	163409	Screw #12 x 5/8	69	412741	Pin, Output Shaft
16	407147	Rod, Connecting	39	407059	Bolt, Shoulder, Semi-Gimlett Point	70	412740	Movable Dog Clutch, LH
17	409616	Spring, Extension	40	401273X460	Wheel & Tire Assembly, Front 8 x 1-3/4	71	412756	Shaft, Output, Short
18	418835X004	Spring, Selector	41	404835	Pinion	72	183513	Screw, Case
19	189808X418	Knob, Selector Spring	42	197480	O-Ring	73	412747	Case, Lower
20	12000022	E-Ring 7/8	44	406580	V-Belt 1/4-20 x 3/4	75	412746	Pin, Worm Shaft
21	404838	Bearing, Support				76	412743	Movable Dog Clutch, RH
22	191039	Bearing, Ball				77	412744	Fixed Dog Clutch, RH
23	161118X004	Retainer, Drive Assembly				78	410731	Spring, Leaf
24	17060410	Screw, Tapping, Hex Head 1/4-20 x 3/4				79	412737	Shaft, Worm

**NOTE:** All component dimensions given in U.S. inches. 1 inch = 25.4 mm.

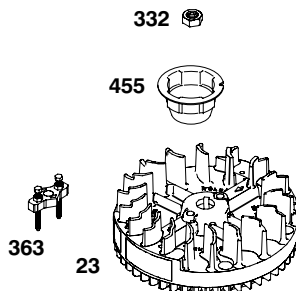
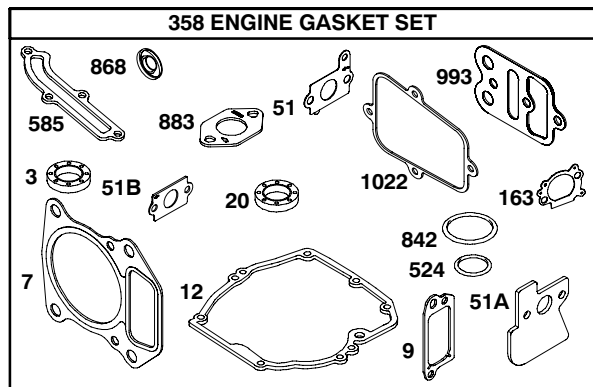
**IMPORTANT:** Use only Original Equipment Manufacturer (O.E.M.) replacement parts. Failure to do so could be hazardous, damage your lawn mower and void your warranty.







1330 REPAIR MANUAL





KEY PART NO.	NO.	DESCRIPTION	KEY PART NO.	NO.	DESCRIPTION
1	692670	Cylinder Assembly	65	690837	Screw (Rewind Starter)
2	399269	Kit-Bushing/Seal	78	691108	Screw (Flywheel Guard)
3	299819s	• Seal-Oil (Magneto Side)	95	691636	Screw (Throttle Valve)
4	493279	Sump-Engine	97	790121	Shaft-Throttle
5	792381	Head-Cylinder	104	691242	Ø Pin-Float Hinge
7	697230	+ Gasket-Cylinder Head	117	498981	Jet-Main (Standard)
8	495786	Breather Assembly	118	498978	Jet-Main (High Altitude)
9	699833	• Gasket-Breather	121	792383	Kit-Carburetor Overhaul
10	691125	Screw (Breather Assembly)	122	792382	Spacer-Carburetor
11	691781	Tube-Breather	125	790120	Carburetor
11A	692937	Tube-Breather	127	694468	Ø Plug-Welch
12	692232	• Gasket-Crankcase	130	696564	Valve-Throttle
13	691137	Screw (Cylinder Head)	133	398187	Float-Carburetor
15	691680	Plug-Oil Drain	134	398188	Ø Valve-Needle/Seat
16	691456	Crankshaft	137	693981	Ø‡ Gasket-Float Bowl
20	399781s	• Seal-Oil (PTO Side)	163	691894	•Ø‡+ Gasket-Air Cleaner
22	691092	Screw (Engine Sump)	187	791766	Line-Fuel (Cut to Required Length)
23	697610	Flywheel	188	691147	Screw (Control Bracket)
24	222698s	Key-Flywheel	190	690940	Screw (Fuel Tank)
25	795429	Piston Assembly (Standard Size)	192	694543	Ball-Rocker Arm
	795430	Piston Assembly (.020" Oversize)	202	691303	Link-Mechanical Governor
26	795431	Ring Set (Standard)	209	691851	Spring-Governor
	795432	Ring Set (.020" Oversize)	222	697614	Bracket-Control
27	691866	Lock-Piston Pin	227	691467	Control Lever-Governor
28	499423	Pin-Piston	238	691300	Cap-Valve
29	499424	Rod-Connecting	259	691189	Bracket-Casing Clamp
32	691664	Screw (Connecting Rod)	276	271716	Ø‡ Washer-Sealing
32A	695759	Screw (Connecting Rod)	287	690940	Screw (Dipstick Tube)
33	499642	Valve-Exhaust	300	697590	Muffler
34	499641	Valve-Intake	304	695976	Housing-Blower
35	691304	Spring-Valve (Intake)	305	691108	Screw (Blower Housing)
36	691304	Spring-Valve (Exhaust)	306	691232	Shield-Cylinder
37	793756	Guard-Flywheel	307	690345	Screw (Cylinder Shield)
40	692194	Retainer-Valve	332	690662	Nut (Flywheel)
43	691997	Slinger-Governor/Oil	333	802574	Armature-Magneto
45	690977	Tappet-Valve	334	691061	Screw (Armature Magneto)
46	694039	Camshaft	337	692051	Plug-Spark
48	692748	Short Block	356	692390	Wire-Stop
51	692668	•Ø‡+ Gasket-Intake	358	795442	Gasket Set-Engine
51A	692555	•Ø‡+ Gasket-Intake	363	19069	Puller-Flywheel
51B	697735	•Ø‡+ Gasket-Intake	365	691129	Screw (Carburetor)
55	691421	Housing-Rewind Starter	383	19374s	Wrench-Spark Plug
58	697316	Rope-Starter (Cut to Required Length)	404	690272	Washer (Governor Crank)
60	281434s	Grip-Starter Rope	425	690244	Screw (Air Cleaner Cover)
			443	690255	Screw (Air Cleaner Primer Base)

KEY PART NO.	NO.	DESCRIPTION	KEY PART NO.	NO.	DESCRIPTION
445	697029	Filter, Air Cleaner Cartridge	957	793606	Cap-Fuel Tank
455	791960	Cup-Flywheel	966	690243	Base-Air Cleaner Primer
456	692299	Plate-Pawl Friction	967	273356s	Filter-Pre Cleaner
459	281505s	Pawl-Ratchet	968	691342	Cover-Air Cleaner
505	691251	Nut (Governor Control Lever)	969	691138	Screw (Blower Housing Cover)
523	499621	Dipstick	972	699374	Tank-Fuel
524	692296	• Seal-Dipstick Tube	975	493640	Bowl-Float
525	495265	Tube-Dipstick	976	694395	Primer-Carburetor
562	92613	Bolt (Governor Control Lever)	977	792385	Set-Carburetor Gasket
584	697734	Cover-Breather Passage	993	694088	*+ Gasket, Cylinder Head Plate
585	691879	• Gasket-Breather Passage	1022	691890	*+ Gasket-Rocker Cover
592	690800	Nut (Rewind Starter)	1023	499624	Cover-Rocker Arm
597	691696	Screw (Pawl Friction Plate)	1026	795444	Rod-Push
601	791850	Clamp-Hose	1029	691230	Arm-Rocker
608	497680	Starter-Rewind	1034	691343	Guide-Push Rod
613	691108	Screw (Muffler)	1036	- - -	Label-Emissions (Available from an authorized Briggs & Stratton Service Dealer)
613A	691140	Screw (Muffler)	1058	277102TRI	Operator's Manual
615	690340	Retainer-Governor Shaft	1059	692311	Kit-Screw/Washer
616	698801	Crank-Governor	1095	792386	Set-Valve Gasket
619	691108	Screw (Cylinder Head Plate)	1210	498144	Assembly-Pulley/Spring (Pulley)
621	692310	Switch-Stop	1211	498144	Assembly-Pulley/Spring (Spring)
633	691321	Ø‡ Seal-Throttle Shaft	1329	12S502-0025	Replacement Engine (Replacement engine listed is not available in the State of California. Repair with individual parts.)
635	66538s	Boot-Spark Plug	1330	272147	Repair Manual
670	692294	Spacer-Fuel Tank	- -	398067	Spark Arrester (available accessory)
684	690345	Screw (Breather Passage Cover)	•	Included in Engine Gasket Set, Key No. 358	
689	691855	Spring-Friction	Ø	Included in Carb. Overhaul Kit, Key No. 121	
718	690959	Pin-Locating	‡	Included in Carb. Gasket Set, Key No. 977	
741	794388	Gear-Timing	+	Included in Valve Gasket Set, Key No. 1095	
745	691648	Screw (Brake)			
830	694544	Stud (Rocker Arm)			
842	691031	• Seal-O Ring (Dipstick Tube)			
847	692047	Assembly-Dipstick/Tube			
851	493880s	Terminal-Spark Plug			
868	795440	*+ Seal-Valve			
883	691893	*+ Gasket-Exhaust			
886	696268	Gasket Kit, Cylinder Head/Plate			
914	691108	Screw (Rocker Cover)			
914A	691127	Screw (Rocker Cover)			
921	691465	Cover-Blower Housing			
922	692135	Spring-Brake			
923	695891	Brake			

**NOTE:** All component dimensions given in U.S. inches. 1 inch = 25.4 mm

## Engine Power Rating Information

The gross power rating for individual gas engine models is labeled in accordance with SAE (Society of Automotive Engineers) code J11940 (Small Engine Power & Torque Rating Procedure), and rating performance has been obtained and corrected in accordance with SAE J1995 (Revision 2002-5). Actual gross engine power will be lower and is affected by, among other things, ambient operating conditions and engine-to-engine variability. Given both the wide array of products on which engines are placed and the variety of environmental issues applicable to operating the equipment, the gas engine will not develop the rated gross power when used in a given piece of power equipment (actual "on-site" or net horsepower). This difference is due to a variety of factors including, but not limited to, accessories (air cleaner, exhaust, charging, cooling, carburetor, fuel pump, etc.), application limitations, ambient operating conditions (temperature, humidity, altitude), and engine-to-engine variability. Due to manufacturing and capacity limitations, Briggs & Stratton may substitute an engine of higher rated power for this Series engine.