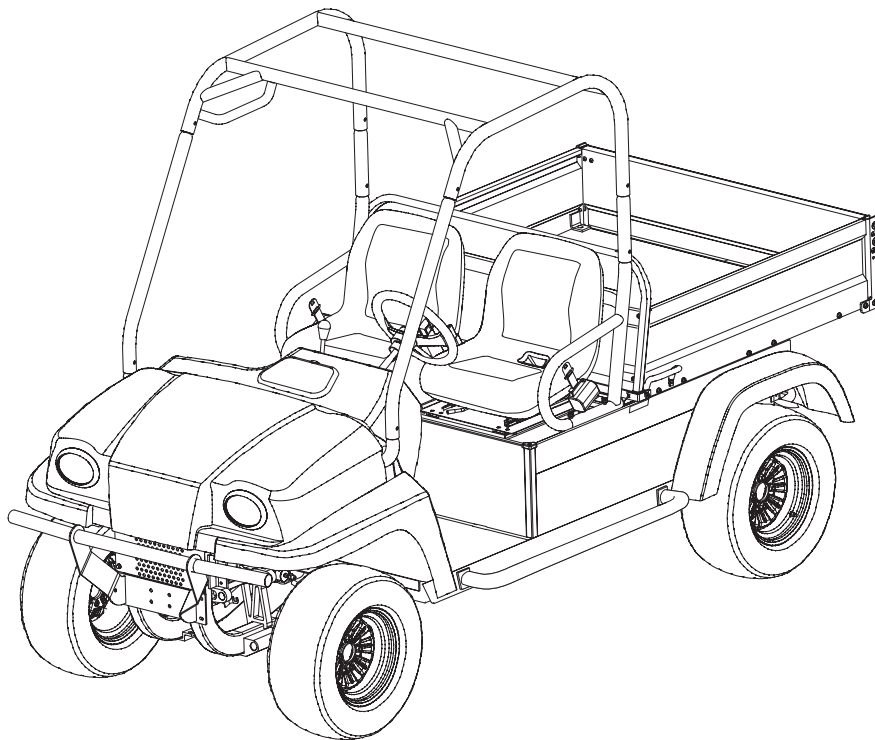




2005
HUV4420 and HUV4420-D
Illustrated Parts List



HUV4420 and HUV4420-D
Gasoline and Diesel Vehicles

Manual Number 603001805
Edition Code 0105F1207E

USING THE ILLUSTRATED PARTS LIST

⚠ WARNING

- **This manual is to be used only for identification and ordering of service parts. Be sure to read and use the maintenance and service manual before attempting any vehicle repairs.**

This manual covers all HUV4420 gasoline and HUV4420-D diesel vehicles.

The manual is divided into 15 sections. Sections 1 through 14 pertain to the gasoline and diesel vehicles, Section 15 pertains to tools that are used on all Husqvarna products.

Use the Table of Contents to find the sections and pages that contain the parts and assemblies you seek. The Table of Contents lists section numbers, and under them, the individual page titles and numbers to be found in that section. The index can be used to find specific parts and assemblies. The index is divided into numerical and alphabetical listings with the page numbers in italic text.

There is a two-page spread for each individual page title in the Table of Contents. On the left-hand page is an illustration showing the parts in their relative positions; the parts are each tagged with an item number in a balloon. The right-hand page is the parts list page, and gives the page title at the top, then the item numbers (corresponding to the numbers on the illustration), part descriptions, and quantity of parts used.

Note that a part description may be indented. This indentation corresponds to a parts assembly level indicated by the numbers 1, 2, 3, and 4 at the top left corner of the parts description area of the parts list page. A part that is indented to *level 2* is a component of the *level 1* part (assembly) that it is listed under. A *level 3* part is a component of the *level 2* part that it is listed under, and a *level 4* part is a component of the *level 3* part preceding it. In each case, the part quantity given for a level 2, 3, or 4 part *is the quantity used per next higher level assembly of which it is a component*. A part that is not indented is a *level 1* part. This means that the quantity given is the quantity used per the portion of the vehicle illustrated on that particular spread.

HOW TO ORDER PARTS

Replacement parts and accessories can be obtained from our network of authorized dealers and distributors. For the name and address of the Husqvarna representative nearest you, logon to our web site at www.usa.husqvarna.com. If you would prefer to write to us, direct your letter to: Husqvarna, Attention: Marketing Services, 7349 Statesville Rd., Charlotte, NC 28269 USA. Your local authorized Husqvarna representative can also provide technical advice, parts, and service manuals.



Husqvarna Forest and Garden
7349 Statesville Rd.
Charlotte, NC 28269
USA
www.husqvarna.com

NOTE: *This illustrated parts list represents the most current information at the time of publication. Husqvarna is continually working to further improve its vehicles and other products. These improvements may affect the parts used to service the vehicle. Any modification and/or significant change in specifications will be forwarded to all Husqvarna distributors/dealers and will, when applicable, appear in future editions of this illustrated parts list.*

Husqvarna reserves the right to change specifications and designs at any time without notice and without the obligation of making changes to units previously sold.

CONTENTS

SECTION 1 – BODY AND TRIM

Front Body Trim, Gasoline Vehicles	1-3
Front Body Trim, Diesel Vehicles	1-5
Front Body Components	1-7
Front Seats and Cup Holder	1-9
ROPS	1-11
Tilt Bed and Hinge	1-13
Electric Bed Lift	1-15
Cargo Box	1-17
Rear Body Trim	1-19
Camouflage Covers	1-21

SECTION 2 – WHEELS AND TIRES

Wheels and Tires, All-Terrain Tread	2-3
Wheels and Tires, Mud Tread	2-5

SECTION 3 – DECALS

Safety Decals, Gasoline Decals	3-3
Safety Decals, Gasoline Vehicles, Continued	3-5
Safety Decals, Diesel Vehicles	3-7
Safety Decals, Diesel Vehicles, Continued	3-9
Badging Decals, HUV 4420	3-11

SECTION 4 – BRAKE SYSTEMS

Front Brake Assembly	4-3
Rear Brake Assembly	4-5
Master Cylinder	4-7
Hydraulic Brake Lines and Clips	4-9
Park Brake Assembly with Pulley System	4-11
Park Brake Assembly with Bellcrank System	4-13

SECTION 5 – PEDAL GROUP

Accelerator Pedal Assembly	5-3
Brake Pedal Assembly	5-5
Park Brake Pedal Assembly	5-7
Park Brake Pedal Assembly with Bellcrank System	5-9

CONTENTS

SECTION 6 – STEERING AND SUSPENSION

Steering Column	6-3
Steering Gear Assembly	6-5
Front Suspension – A-Arms	6-7
Front Suspension (Standard)	6-9
Front Suspension (High-Capacity Option)	6-11
Rear Suspension (Standard)	6-13
Rear Suspension (High-Capacity Option)	6-15

SECTION 7 – ELECTRICAL SYSTEM

Wiring – Gasoline Vehicles	7-5
Forward/Reverse Shifter Assembly	7-7
Wiring – Diesel Vehicles	7-11
Headlights	7-13
Electrical Component Box, Gasoline Vehicles	7-15
Electrical Component Box, Diesel Vehicles	7-17
Electrical Components, Instrument Panel, Gasoline Vehicles	7-19
Electrical Components, Instrument Panel, Diesel Vehicles	7-21
Battery – Gasoline Vehicles	7-23
Battery – Diesel Vehicles	7-25

SECTION 8 – DIESEL ENGINE – CLOSED BREATHER

Kubota D722 Diesel Engine Mounting	8-3
Crankcase	8-5
Oil Pan	8-7
Cylinder Head	8-9
Gear Case	8-11
Head Cover	8-13
Dipstick and Guide	8-15
Oil Pump	8-17
Main Bearing Case	8-19
Camshaft and Idle Gear	8-21
Piston and Crankshaft	8-23
Flywheel	8-25
Shaft	8-27
Idle Apparatus	8-29
Stop Solenoid	8-31
40-Amp Alternator	8-33

CONTENTS

60-Amp Alternator	8-35
Injection Pump	8-37
Speed Control Plate	8-39
Nozzle Holders and Glow Plugs	8-41
Governor Components	8-43
Starter	8-45
Valves and Rocker Arms	8-47
Diesel Inlet Manifold	8-49
Exhaust Manifold	8-51
Gasket Kits	8-53
Piston Kit	8-55

SECTION 9 – HONDA GX620 GASOLINE ENGINE

Honda GX620 Gasoline Engine Mounting	9-3
Shrouds and Brackets	9-5
Ignition Components and Flywheel	9-7
Oil Circulation	9-9
Cylinder Head	9-11
Crankcase and Crankshaft	9-13
Oil Filter Adapter and Voltage Regulator	9-15

SECTION 10 – FUEL, INTAKE, AND GOVERNOR SYSTEM

Fuel System – Gasoline Vehicles	10-3
Fuel Tank – Gasoline Vehicles	10-5
Fuel System – Diesel Vehicles	10-7
Fuel Tank – Diesel Vehicles	10-9
Carburetor Assembly, Honda Gasoline Vehicles	10-11
Carburetor Installation – Honda Gasoline Vehicles	10-13
Governor and Accelerator Cables, Gasoline Vehicles	10-15
Choke Cable, Gasoline Vehicles	10-17
Accelerator Cable, Diesel Vehicles	10-19
Governor Cover – Gasoline Vehicles	10-21
Governor System – Gasoline Vehicles	10-23
Intake Duct and Air Box Assembly – Honda Gasoline Vehicles	10-25
Intake Duct and Air Box Assembly – Diesel Vehicles	10-27

SECTION 11 – EXHAUST SYSTEM

Exhaust System, Gasoline Vehicles	11-3
Exhaust System, Diesel Vehicles	11-5

CONTENTS

SECTION 12 – CLUTCHES

Clutch Cover (Standard)	12-3
Clutch Cover (Sealed)	12-5
Drive Belt	12-7
Drive Clutch – Gasoline Vehicles	12-9
Drive Clutch – Diesel Vehicles	12-11
Driven Clutch	12-13

SECTION 13 – DRIVETRAIN COMPONENTS

Front Differential Mounting and Half Shafts	13-3
Front Differential (Output Components)	13-5
Front Differential (Input Components)	13-7
Prop Shafts	13-9
Forward/Reverse Shifter Assembly	13-11
Transmission	13-13
Transmission, Continued	13-15
Transmission, Continued	13-17
Transmission Cable	13-19
Rear Differential	13-21
Rear Differential, Continued	13-23

SECTION 14 – RADIATOR AND COOLANT SYSTEM (DIESEL VEHICLES)

Radiator	14-3
Coolant Expansion Tank	14-5
Coolant Pipes and Hoses	14-7
Water Flange and Thermostat	14-9
Water Pump	14-11
Block Coolant Pipe	14-13

SECTION 15 – MAINTENANCE AND SERVICE TOOLS

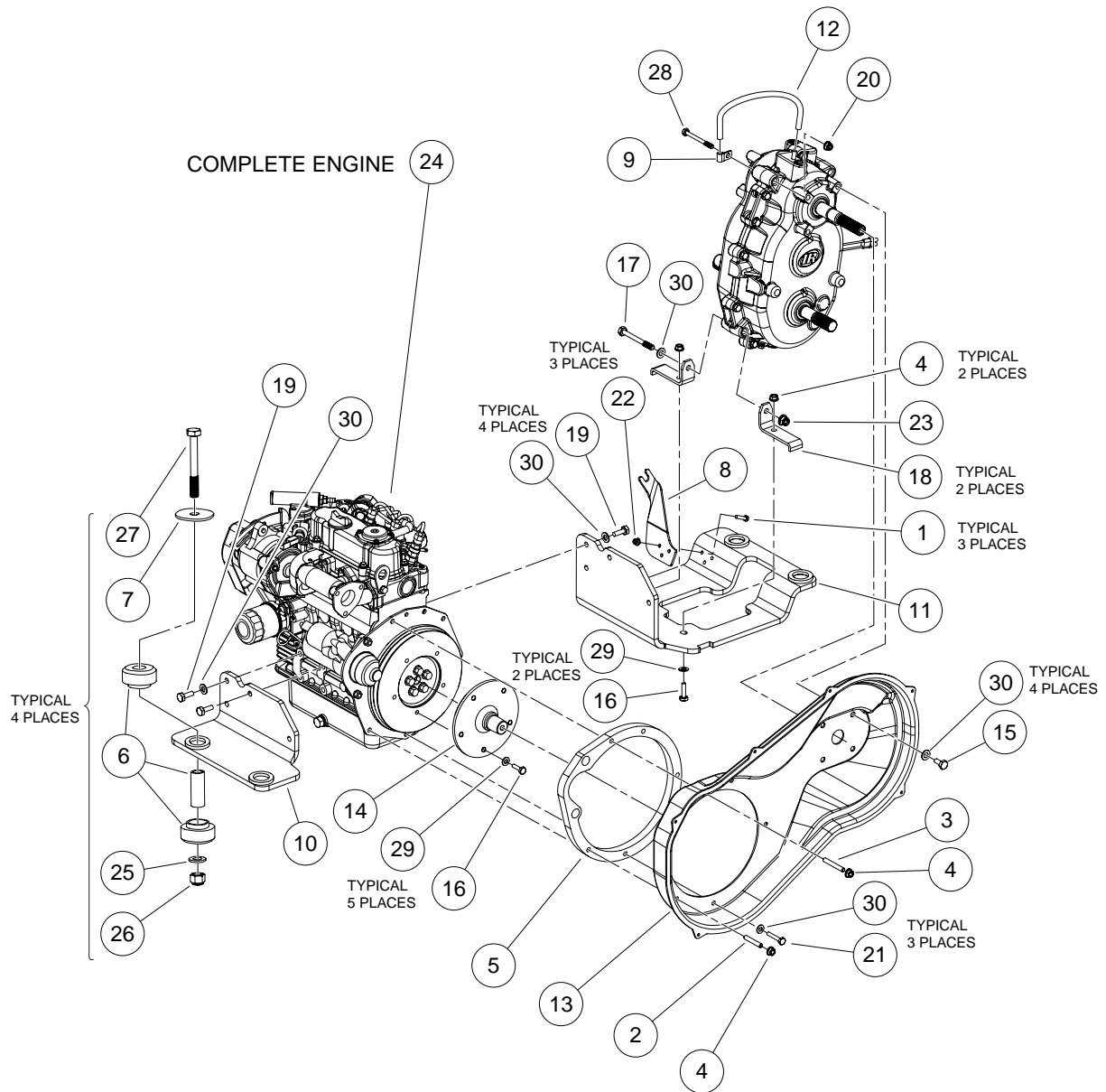
Maintenance and Service Tools	15-3
Maintenance and Service Tools, Continued	15-5
Maintenance and Service Tools, Continued	15-7
Maintenance and Service Tools, Continued	15-9
Maintenance and Service Tools, Continued	15-11

SECTION i – INDEX

DIESEL ENGINE – CLOSED BREATHER

8

D



000025-002

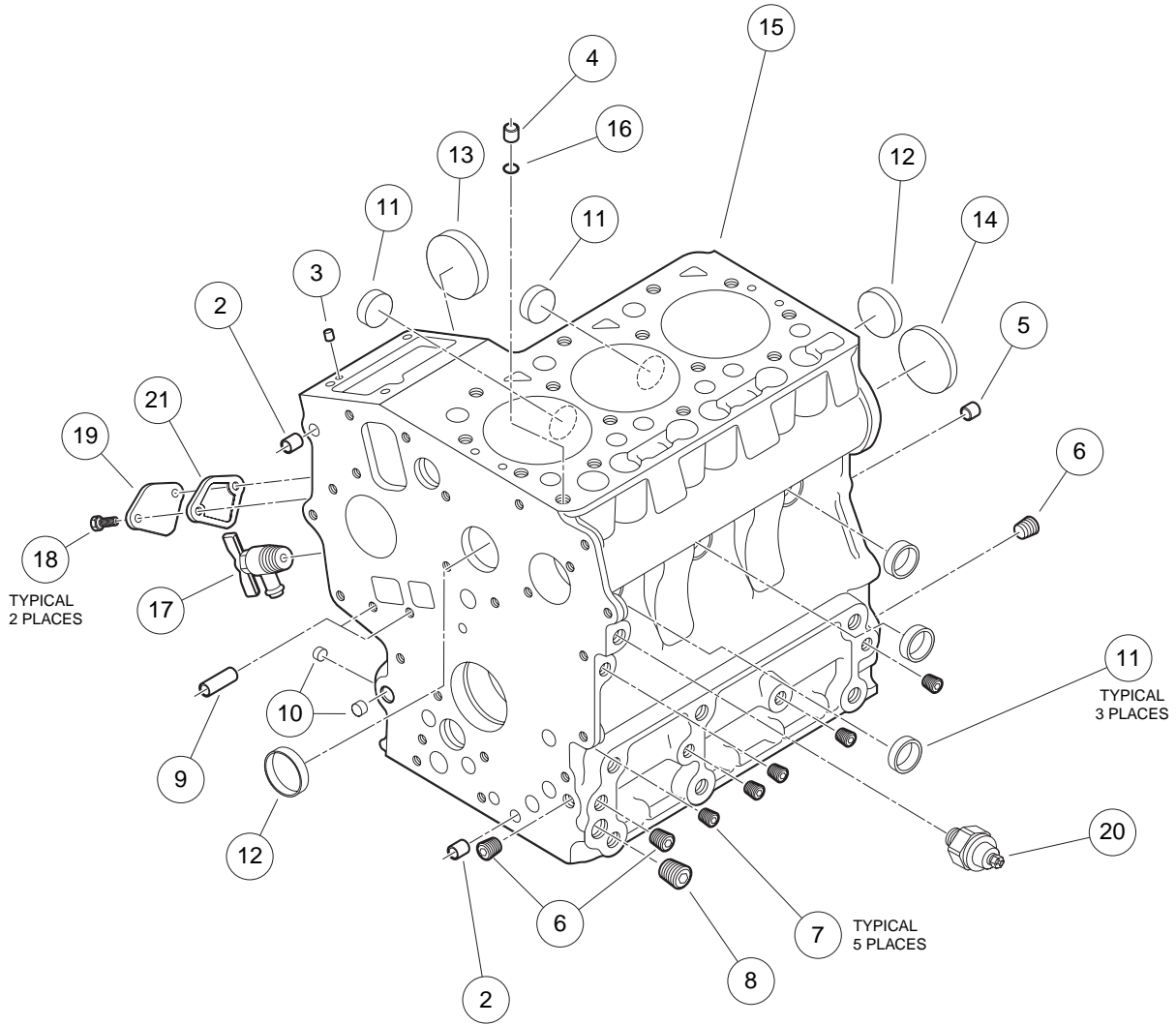
KUBOTA D722 DIESEL ENGINE MOUNTING

ITEM	PART NO.	DESCRIPTION	QTY
		1 2 3 4	
1	603 00 01-57	Screw, M6-1.00 X 25mm Hex Cap	3
2	603 00 05-13	Stud, M8-1.25 X 50 mm Two-Ended	1
3	603 00 05-14	Stud, M8-1.25 X 60mm Two-Ended	1
4	603 00 12-98	Nut,m8,all Metal Lock	7
5	603 00 09-07	Spacer, Engine, Diesel	1
6	603 00 09-08	Isolator Ring and Bushing	4
7	603 00 09-09	Washer, Snubbing, Ring N Bush	4
8	603 00 09-37	Bracket, FNR Trans Cable	1
9	603 00 09-66	P-Clamp, Insulated .312 In	1
10	603 00 09-84	Plate, Engine Mounting, Weld, Left-Hand	1
11	603 00 09-85	Plate, Engine Mounting, Weld, Right-Hand	1
12	603 00 11-11	Hose, Vent, Transmission	1
13	603 00 11-13	Cover, CVT Inner, Diesel	1
14	603 00 11-28	Shaft, CVT Adapter	1
15	603 00 11-65	Bolt, M10 X 1.5 X 20 Loctite	4
16	603 00 11-66	Bolt, M8 X 1.25 X 25 Loctite	7
17	603 00 11-69	Bolt, M10 X 1.5 X 100 Loctite	1
18	603 00 11-86	Bracket, Transmission Mounting	2
19	603 00 11-91	Bolt, M10 X 1.25 X 25 Loctite	8
20	603 00 13-08	Lock Nut, Flg M8 X 1.25 Nylon	1
21	603 00 13-16	Bolt, M8 X 1.25 X 40 with Loctite	3
22	603 00 13-17	Nut Flg, M6 X 1.0 Nylon	3
23	603 00 15-86	Nut Flg M10 X 1.5 Nylon	1
24	603 00 28-85	Engine, Kubota, D722, with Closed Breather, 60a	1
25	603 00 04-37	Washer, M12 Hard	4
26	N/A	Locknut, M12x1.75 Nylon Insert	4
27	603 00 04-40	Bolt, M12 X 1.75 X 90	4
28	603 00 04-49	Bolt, M8 X 1.25 X 80	1
29	603 00 04-50	Washer, M8 Hard	10
30	603 00 04-51	Washer, M10 Hard	12

8

D

DIESEL ENGINE



FRONT
OF VEHICLE

2 THROUGH 15
 1

000039-001

CRANKCASE

8

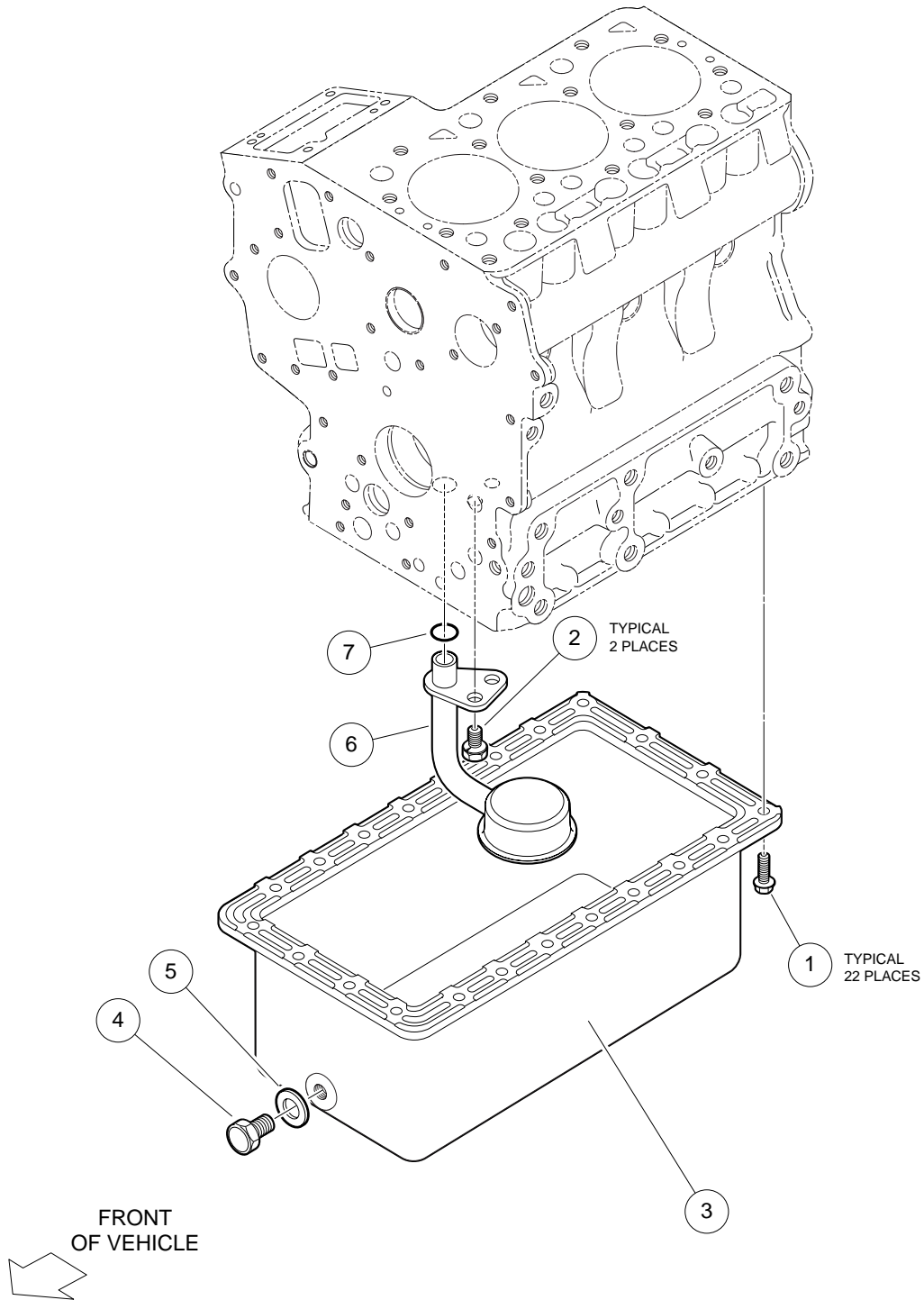
D

ITEM	PART NO.	DESCRIPTION	QTY
		1 2 3 4	
1	603 00 11-99	Engine Block (includes items 2 through 15)	1
2	603 00 12-00	Pin, Pipe, Dia 8 X 14	2
3	603 00 12-01	Pin, Straight, Dia 5 X 10	2
4	603 00 12-03	Pin, Pipe, Dia 7 X 14	1
5	603 00 12-04	Pin, Straight, Dia 8 X 16	2
6	603 00 12-05	Plug, 1/8"	3
7	603 00 12-06	Plug, 3/32"	5
8	603 00 12-07	Plug, 1/4"	1
9	603 00 12-09	Pin, Pipe, Dia 8 X 11	2
10	603 00 17-00	Cap, Sealing, Small	3
11	603 00 17-01	Cap, Sealing, Med	5
12	603 00 17-02	Cap, Sealing, Large	2
13	603 00 17-03	Cover, Fuel Camshaft	1
14	603 00 17-04	Plug, Expansion	1
15	N/A	Block, Engine	1
16	603 00 12-02	O Ring, 8 X 7	1
17	603 00 12-10	Cock, Drain	1
18	603 00 13-43	Bolt, M6 X 1 X 20	2
19	603 00 16-61	Plate, Engine Block	1
20	603 00 17-46	Switch, Oil Pressure	1
21	603 00 17-62	Gasket, Fuel Pump, D722	1

8

DIESEL ENGINE

D



000040-001

OIL PAN

ITEM	PART NO.	DESCRIPTION	QTY
		1 2 3 4	
1	603 00 12-36	Bolt, M6 X 1 X 14	22
2	603 00 12-51	Bolt, M8 X 1.25 X 15	1
3	603 00 12-52	Oil Pan	1
4	603 00 12-53	Plug, Drain, M12 X 14	1
5	603 00 12-54	Gasket, 20 X 13	1
6	603 00 12-55	Filter, Oil, Pick Up	1
7	603 00 14-59	O Ring, 20 X 17	1

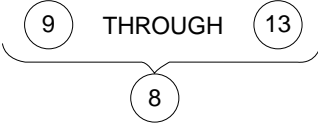
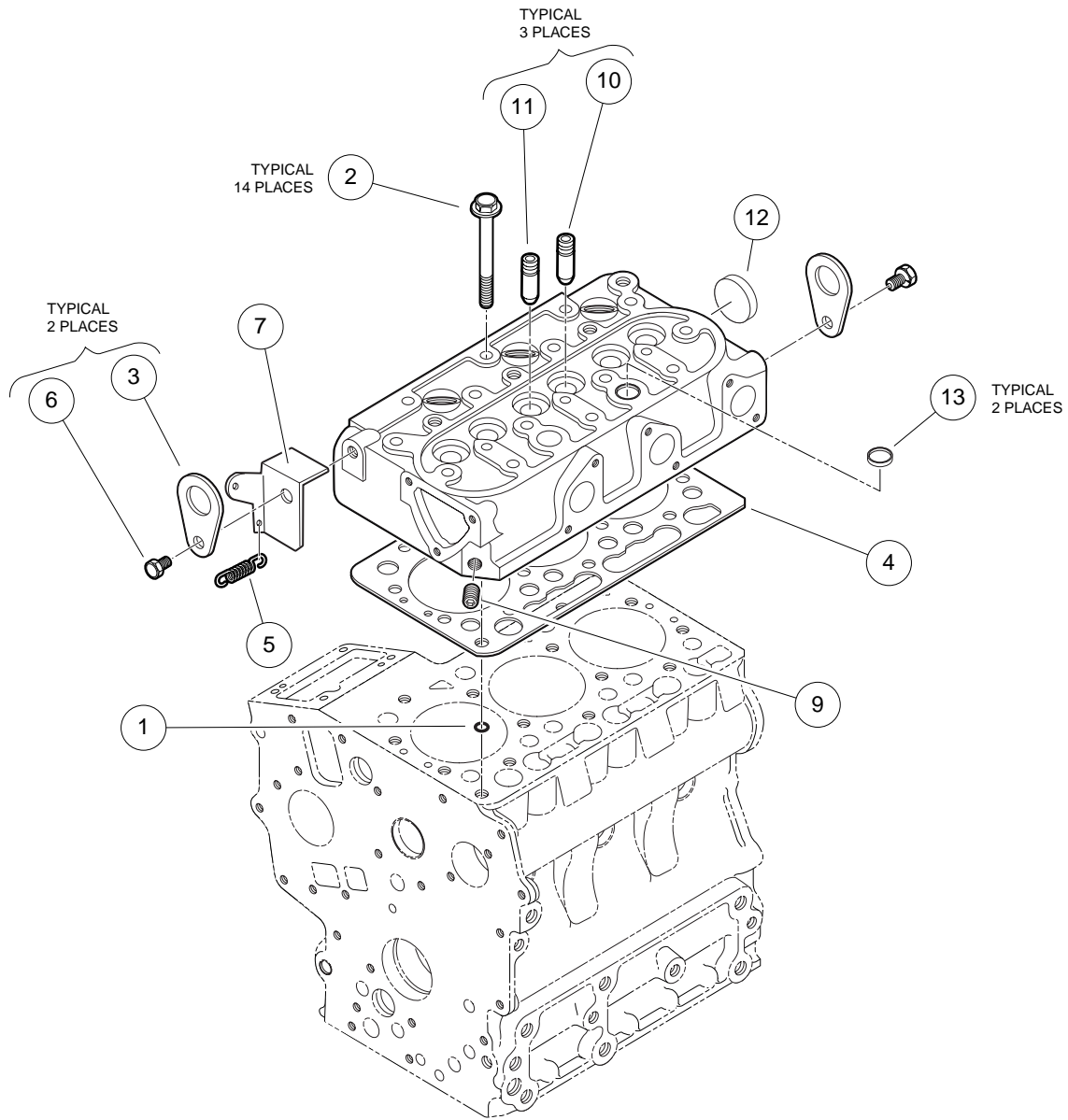
8

D

8

DIESEL ENGINE

D



FRONT
OF VEHICLE

000041-002

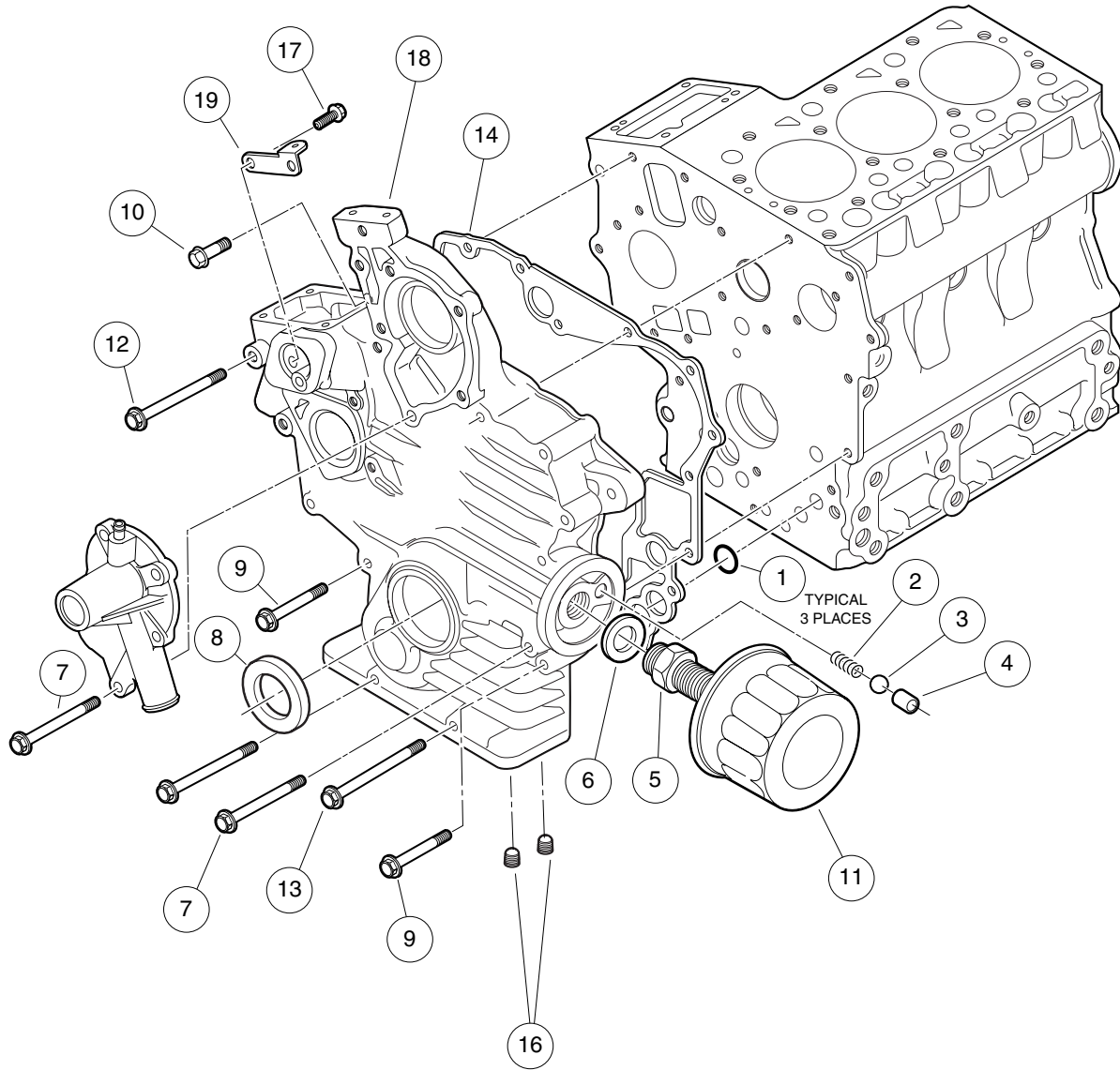
CYLINDER HEAD

ITEM	PART NO.	DESCRIPTION	QTY
		1 2 3 4	
1	603 00 12-02	O Ring, 8 X 7	1
2	603 00 14-44	Bolt, Cylinder Head	14
3	603 00 14-54	Hook, Engine	2
4	603 00 14-55	Gasket, Cylinder Head	1
5	603 00 16-62	Spring, Start	1
6	603 00 17-05	Bolt, Engine Hook	2
7	603 00 17-09	Stay, Cylinder Head	1
8	603 00 17-06	Head, Cylinder, Complete (includes items 9 through 13)	1
9	603 00 12-06	Plug, 3/32"	1
10	603 00 14-50	Guide, Exhaust Valve	3
11	603 00 14-51	Guide, Inlet Valve	3
12	603 00 17-07	Cap, Sealing, Head	1
13	603 00 17-08	Cap, Sealing, Head, Top	2

8

D

DIESEL ENGINE



000042-002

GEAR CASE

ITEM	PART NO.	DESCRIPTION	QTY
		1 2 3 4	
1	603 00 12-12	O Ring, 18 X 13	3
2	603 00 12-13	Spring, Valve	1
3	603 00 12-14	Ball, Valve	1
4	603 00 12-15	Seat, Valve	1
5	603 00 12-16	Joint, Pipe	1
6	603 00 12-17	Washer, Plain, Special	1
7	603 00 12-18	Bolt, M6 X 1 X 60	2
8	603 00 12-19	Seal, Oil	1
9	603 00 12-20	Bolt, D722, Front Case	9
10	603 00 14-56	Bolt, D722 Intake Manfld Lower	1
11	603 00 00-41	Filter, Engine Oil, D722	1
12	603 00 17-12	Bolt, Gearcase, Top	2
13	603 00 17-13	Bolt, Gearcase, Lower	1
14	603 00 17-31	Gasket, Gearcase, D722	1
15	603 00 17-11	Case, Gear (includes items 16 through 19)	1
16	603 00 12-07	Plug, 1/4"	2
17	603 00 18-11	Screw, Breather	2
18	N/A	Case, Gear	1
19	603 00 18-10	Stay, Spring	1

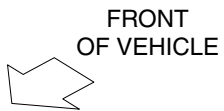
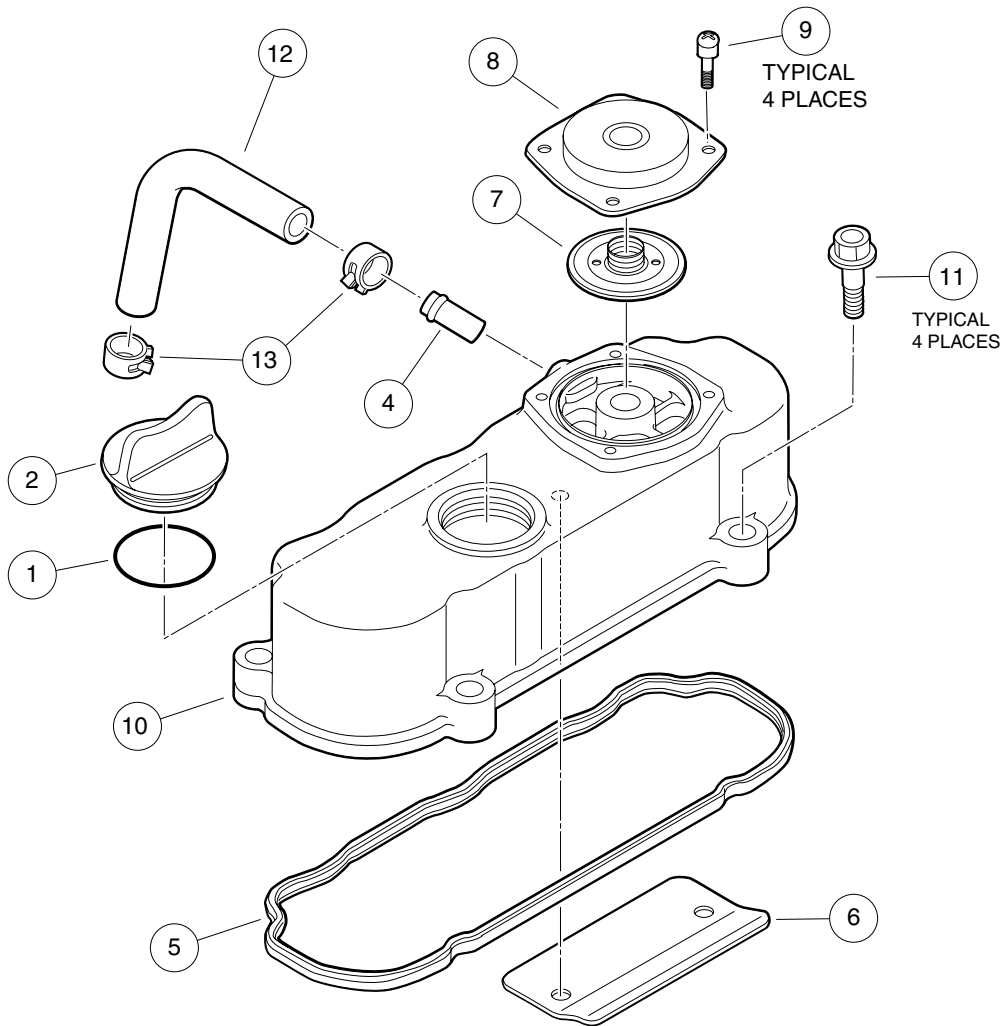
8

D

8

DIESEL ENGINE

D



000181-001

HEAD COVER

ITEM	PART NO.	DESCRIPTION	QTY
		1 2 3 4	
1	603 00 14-06	O Ring, 30 X 36	1
2	603 00 14-07	Plug, Oil Filler	1
3	603 00 18-13	Assembly, Cylinder Head Cover (includes items 4 through 10)	1
4	603 00 18-28	Pipe, Water Return, D722	1
5	603 00 18-23	Gasket, Cylinder Head Cover	1
6	603 00 18-24	Shield, Breather	1
7	603 00 18-25	Valve, Breather	1
8	603 00 18-26	Cover, Breather	1
9	603 00 18-27	Screw, Breather	4
10	N/A	Cover, Cylinder Head	1
11	603 00 18-29	Bolt, Cylinder Head Cover	4
12	603 00 18-30	Tube, Breather	1
13	603 00 18-31	Clamp, Breather Tube	2

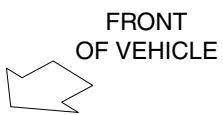
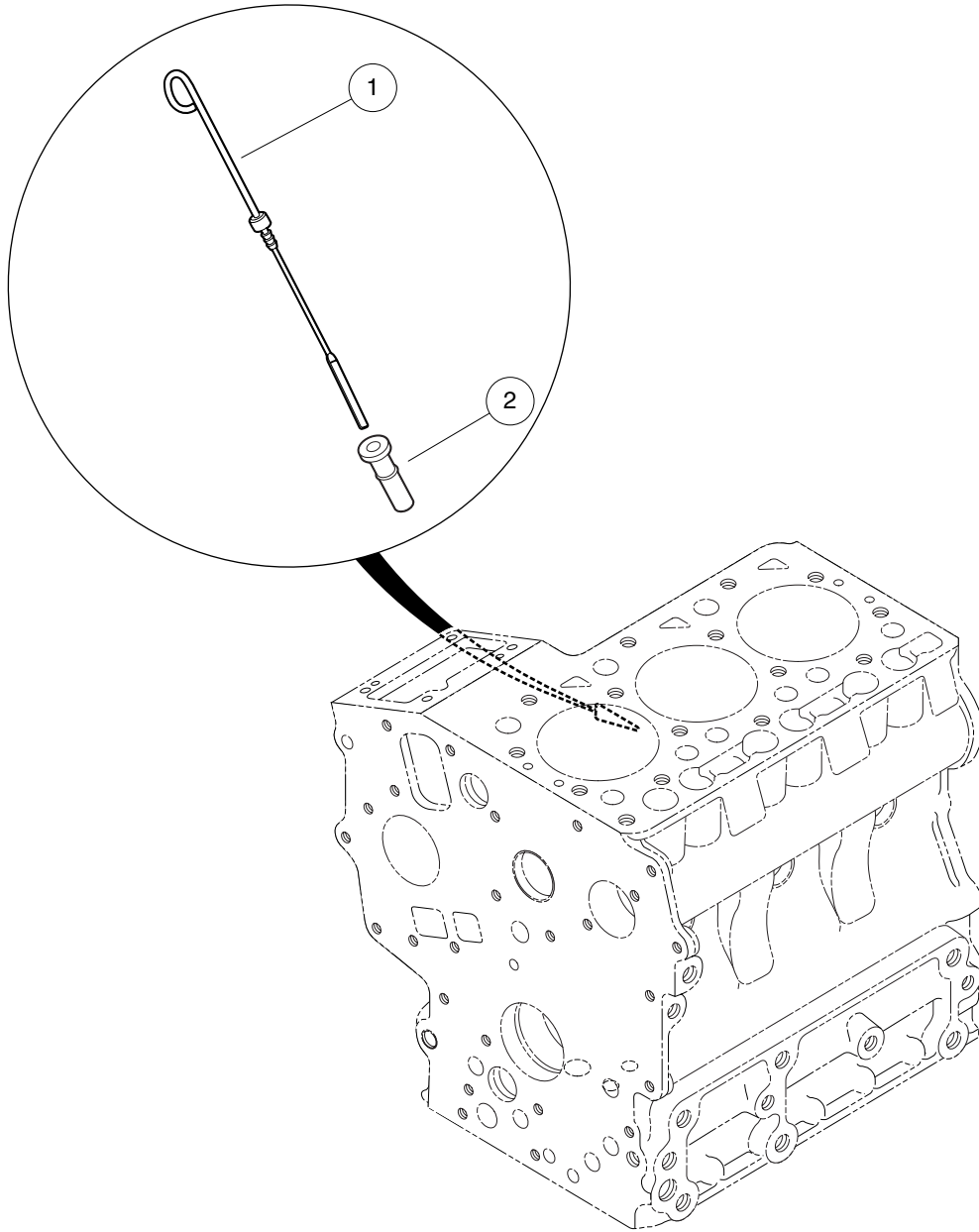
8

D

8

DIESEL ENGINE

D



000044-002

DIPSTICK AND GUIDE

ITEM	PART NO.	DESCRIPTION	QTY
		1 2 3 4	
1	603 00 12-50	Gauge, Oil	1
2	603 00 17-15	Guide, Oil Gauge	1

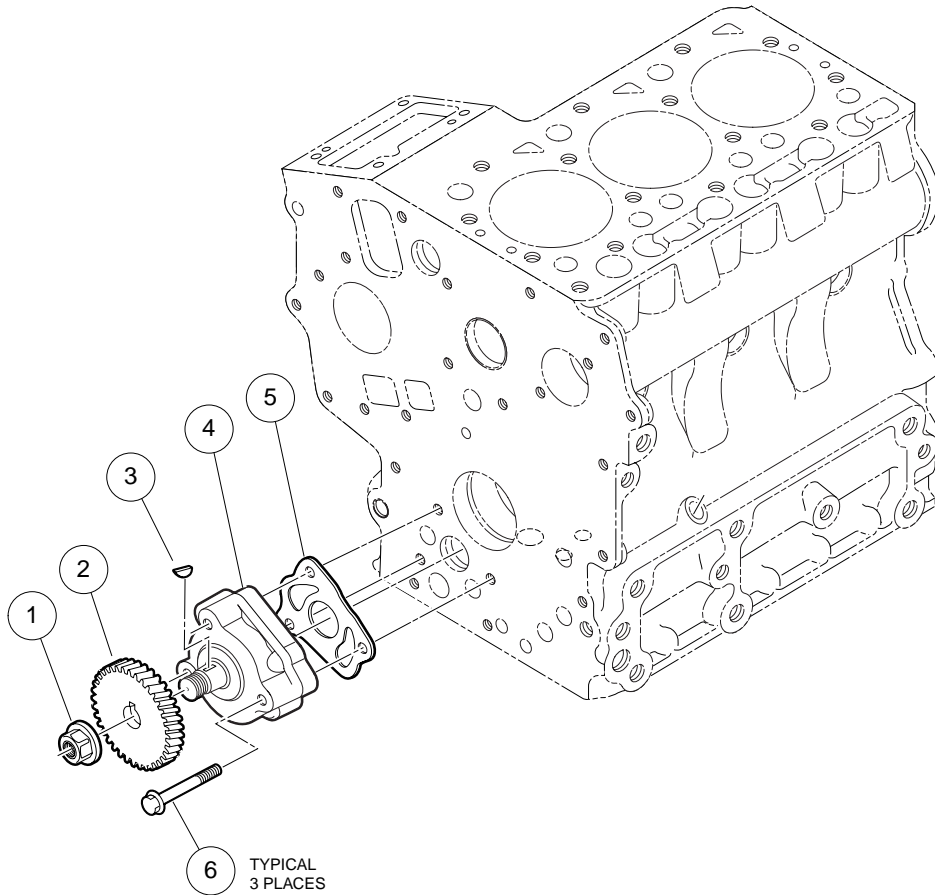
8

D

8

DIESEL ENGINE

D



000045-001

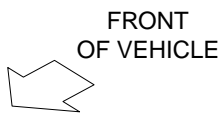
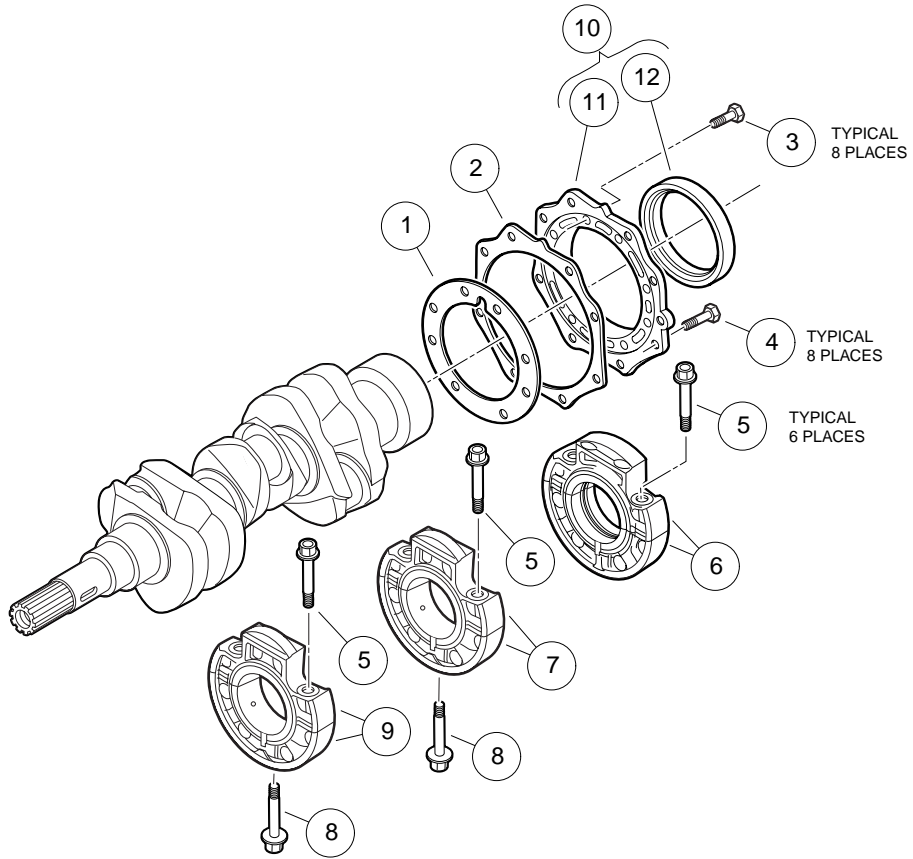
OIL PUMP

ITEM	PART NO.	DESCRIPTION	QTY
		1 2 3 4	
1	603 00 12-45	Nut, Flange, D722 Oil Pump	1
2	603 00 12-46	Gear, Oil Pump Drive	1
3	603 00 12-47	Key, Feather, 8x4	1
4	603 00 12-48	Assy, Pump, Oil	1
5	603 00 12-49	Gasket, Oil Pump	1
6	603 00 17-17	Bolt, Oil Pump	3

8

D

DIESEL ENGINE



000046-001

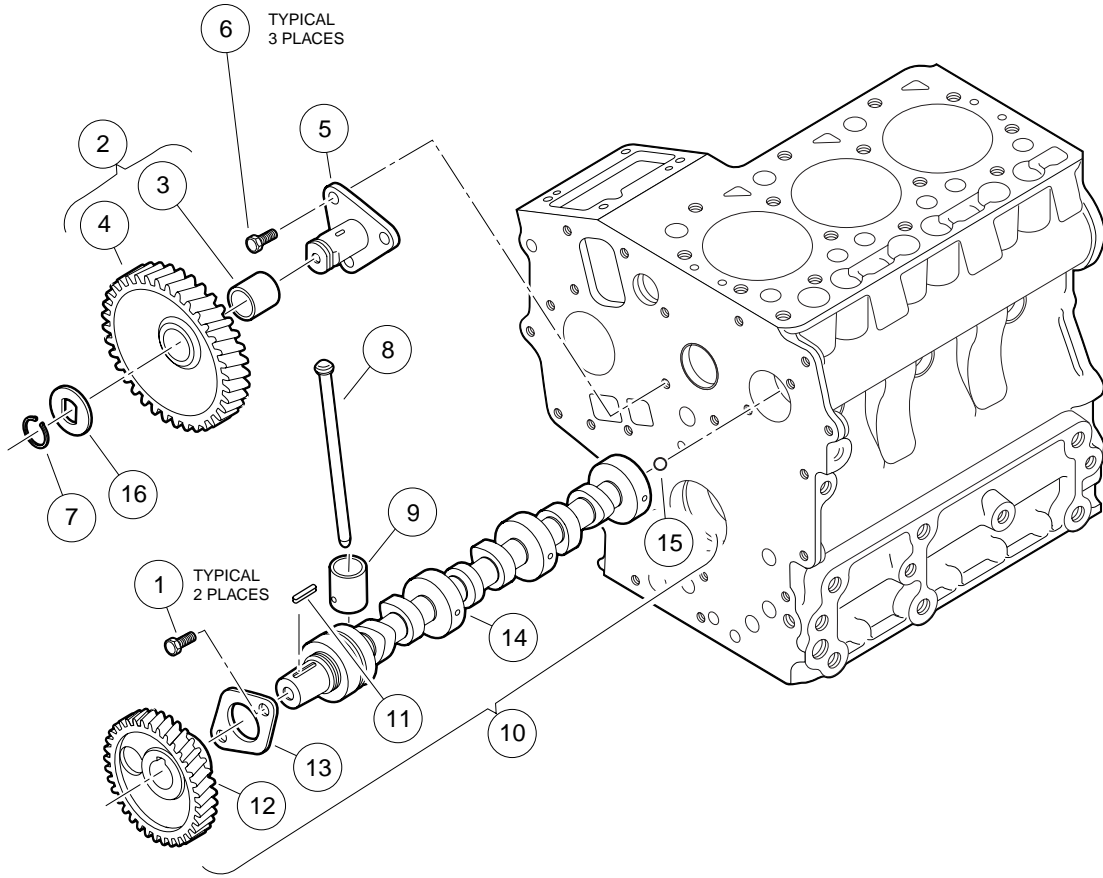
MAIN BEARING CASE

ITEM	PART NO.	DESCRIPTION	QTY
		1 2 3 4	
1	603 00 12-62	Gasket, Bearing Case	1
2	603 00 12-63	Gasket, Cover	1
3	603 00 12-66	Bolt, M6 X 1 X 20	8
4	603 00 12-67	Bolt, M6 X 1 X 22	8
5	603 00 12-74	Bolt, Bearing Case, Top	6
6	603 00 12-78	Assy Case, Main Brg, First	1
7	603 00 12-79	Assy Case, Main Brg, Sec	1
8	603 00 12-80	Bolt, Bearing Case, Bottom	2
9	603 00 12-81	Assy Case, Main Brg, Third	1
10	603 00 17-18	Assy, Cover, Bearing Case (includes items 11 and 12)	1
11	603 00 12-64	Cover, Bearing Case	1
12	603 00 12-65	Seal, Oil	1

8

D

DIESEL ENGINE



000047-002

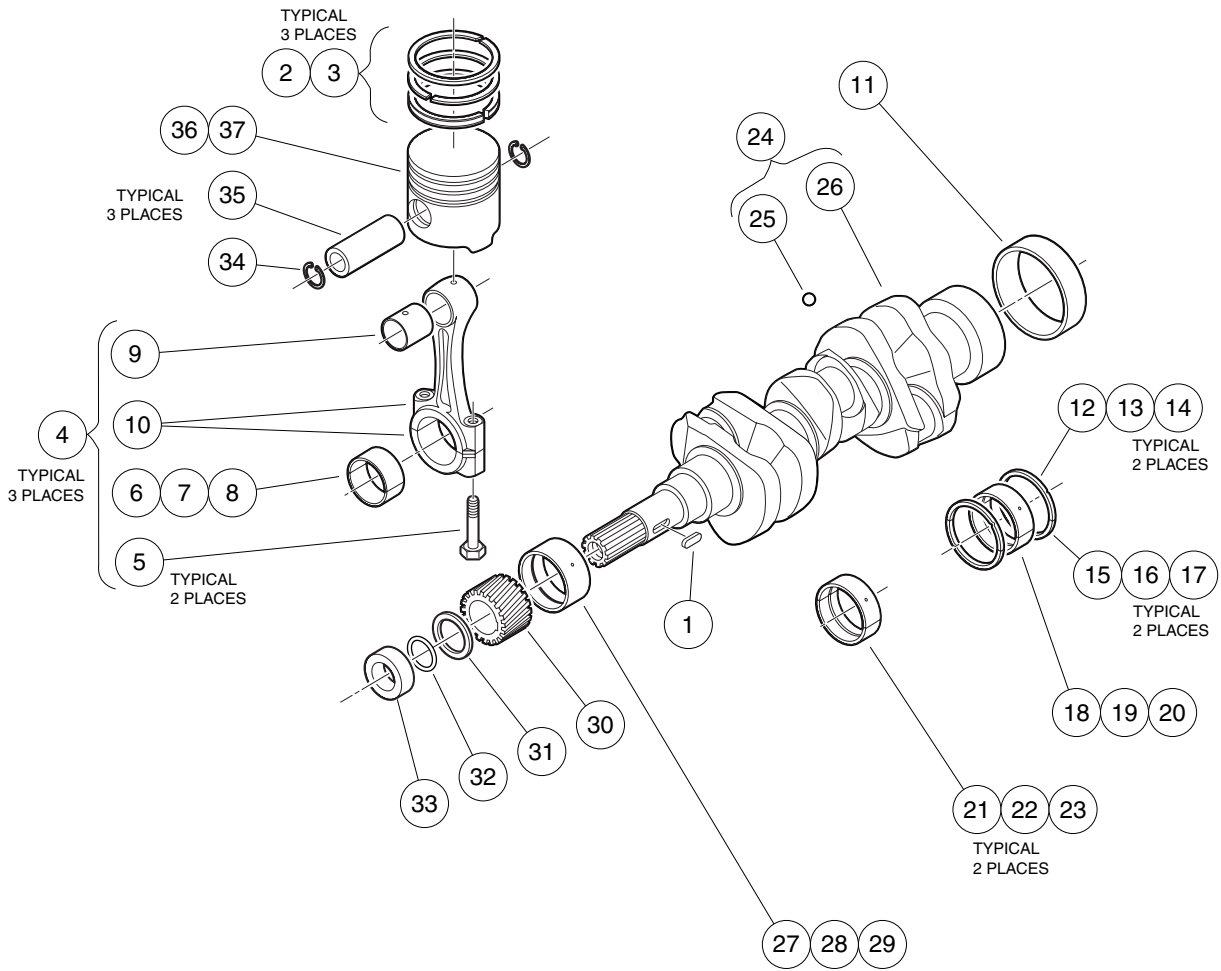
CAMSHAFT AND IDLE GEAR

ITEM	PART NO.	DESCRIPTION	QTY
		1 2 3 4	
1	603 00 12-28	Bolt, D722, Cam End	2
2	603 00 12-34	Gear, Idle (includes items 3 and 4)	1
3	N/A	Bushing, D722 Idle Gear	1
4	N/A	Gear, Idle	1
5	603 00 12-35	Shaft, Idle Gear	1
6	603 00 12-36	Bolt, M6 X 1 X 14	3
7	603 00 12-37	Ring, Snap	1
8	603 00 12-38	Push Rod	6
9	603 00 12-39	Tappet	6
10	603 00 12-42	Assy Camshaft, Long (includes items 11 through 15)	1
11	603 00 12-40	Key, Feather, Long Camshaft	1
12	603 00 12-43	Gear, Cam	1
13	603 00 12-44	Stopper, Camshaft	1
14	N/A	Camshaft	1
15	603 00 18-14	Ball, Check	1
16	603 00 14-57	Collar, Idle Gear	1

8

D

DIESEL ENGINE



000048-002

PISTON AND CRANKSHAFT

ITEM	PART NO.	DESCRIPTION	QTY
		1 2 3 4	
1	603 00 12-30	Key, Feather, Short Camshaft	1
2	603 00 12-56	Assy Piston Ring, D722 Std	3
3	603 00 12-57	Assy Piston Ring, D722 +.025	3
4	603 00 12-58	Assy, Connecting Rod (includes items 5 through 10)	3
5	603 00 12-59	Bolt, Connecting Rod	6
6	603 00 13-36	Metal, Crank, Rod, D722, Std	3
7	603 00 13-37	Metal, Crank, Rod, D722, .020	3
8	603 00 13-38	Metal, Crank, Rod, D722, .040	3
9	603 00 17-58	Bushing, Piston Pin, D722	3
10	N/A	Rod, Connecting	1
11	603 00 12-61	Sleeve, Crankshaft	1
12	603 00 12-68	Metal,crank, O Side, Std	2
13	603 00 12-69	Metal,crank, O Side, +.020	2
14	603 00 12-70	Metal,crank, O Side, +.040	2
15	603 00 12-71	Metal,crank, I Side, Std	2
16	603 00 12-72	Metal,crank, I Side, +.020	2
17	603 00 12-73	Metal,crank, I Side, +.040	2
18	603 00 12-75	Metal, Crank, Main, Rear Std	1
19	603 00 12-76	Metal, Crank, Main, Rear -.020	1
20	603 00 12-77	Metal, Crank, Main, Rear -.040	1
21	603 00 12-82	Metal, Crank, Main, Mid Std	4
22	603 00 12-83	Metal, Crank, Main, Mid +.020	2
23	603 00 12-84	Metal, Crank, Main, Mid +.040	2
24	603 00 12-85	Crankshaft (includes items 25 and 26)	1
25	603 00 12-60	Ball, Crankshaft	3
26	N/A	Crankshaft	1
27	603 00 13-28	Metal, Crank, D722, Frnt, Std	1
28	603 00 13-29	Metal, Crank, 722, Frnt, -.020	1
29	603 00 13-30	Metal, Crank, 722, Frnt, -.040	1
30	603 00 13-31	Gear, Crank	1
31	603 00 13-32	Slinger, Oil	1
32	603 00 13-33	O Ring, 23 X 26	1
33	603 00 13-34	Collar, Crankshaft	1
34	603 00 13-39	Circlip, Piston Pin	6
35	603 00 13-40	Pin, Piston	3
36	603 00 17-19	Piston, D722, Std	3
37	603 00 17-20	Piston, D722, +0.25	3

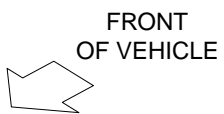
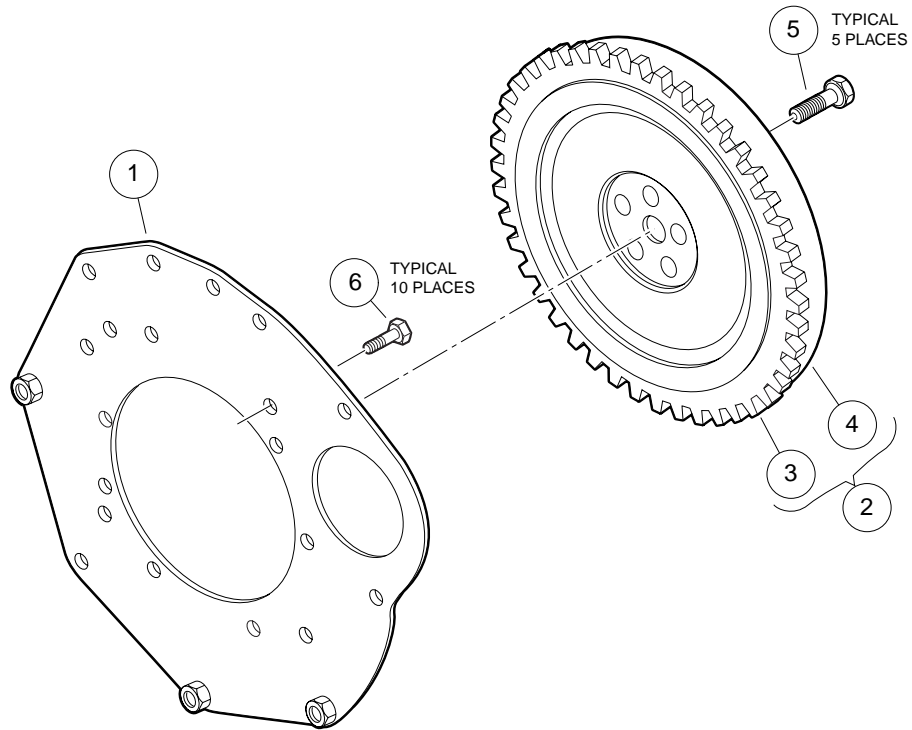
8

D

8

DIESEL ENGINE

D



000049-001

FLYWHEEL

ITEM	PART NO.	DESCRIPTION	QTY
		1 2 3 4	
1	603 00 14-27	Plate, Rear End	1
2	603 00 14-29	Flywheel (includes items 3 and 4)	1
3	603 00 14-30	Gear, Ring, D722	1
4	N/A	Flywheel	1
5	603 00 14-31	Bolt, Flange Head, M10 X 1.5 X 25	5
6	603 00 17-22	Bolt, End Plate	10

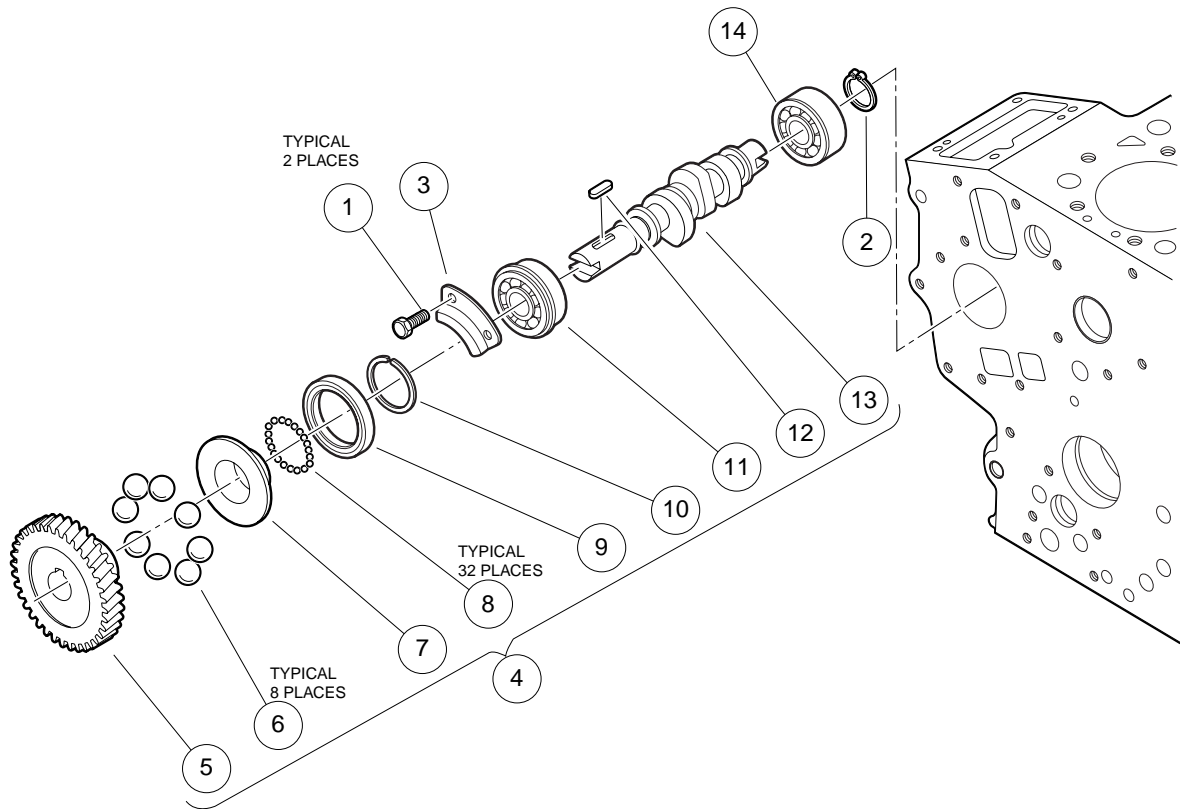
8

D

8

DIESEL ENGINE

D



FRONT
OF VEHICLE

000050-001

SHAFT

8

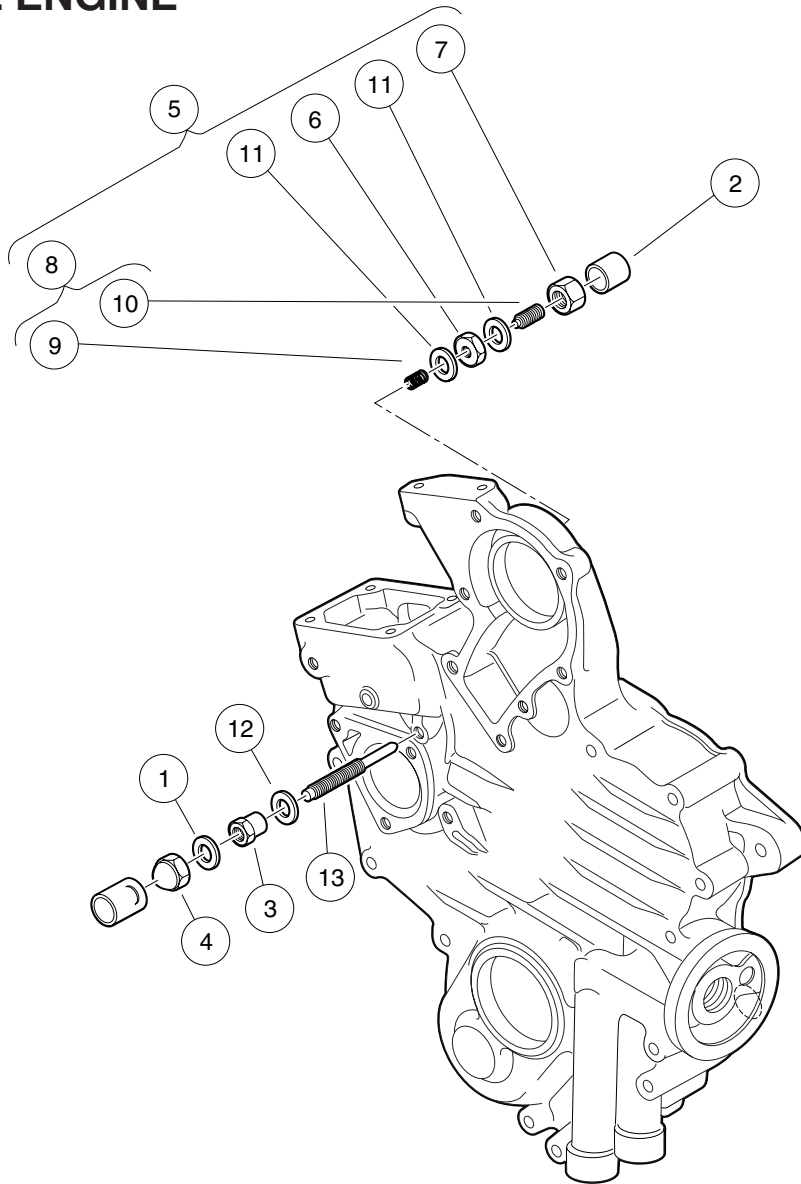
ITEM	PART NO.	DESCRIPTION	QTY
		1 2 3 4	
1	603 00 12-28	Bolt, D722, Cam End	2
2	603 00 12-32	Circlip, External	1
3	603 00 12-33	Stopper, Fuel, C/shaft	1
4	603 00 17-23	Assy, Fuel Camshaft (includes items 5 through 13)	1
5	603 00 12-22	Gear, Injection Pump	1
6	603 00 12-23	Ball, Injection Pump	8
7	603 00 12-24	Sleeve, Governor	1
8	603 00 12-25	Ball, Governor	32
9	603 00 12-26	Case, Governor Ball	1
10	603 00 12-27	Circlip	1
11	603 00 12-29	Bearing, Ball	1
12	603 00 12-30	Key, Feather, Short Camshaft	1
13	603 00 12-31	Camshaft, Fuel, Short	1
14	603 00 17-24	Bearing, Ball	1

D

8

DIESEL ENGINE

D



FRONT
OF VEHICLE
↙

000051-002

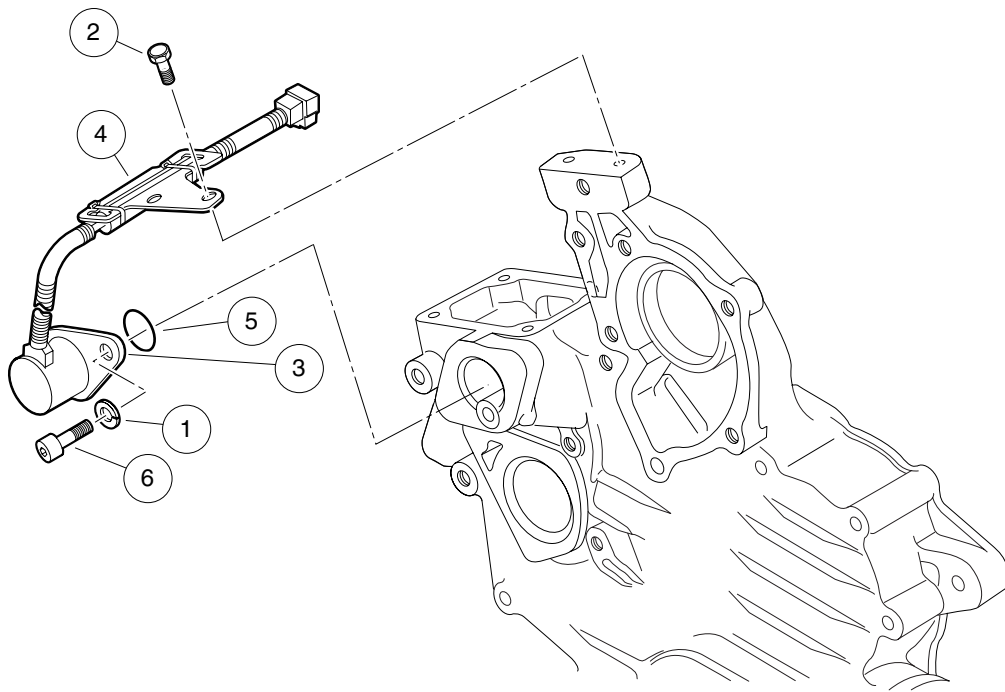
IDLE APPARATUS

ITEM	PART NO.	DESCRIPTION	QTY
		1 2 3 4	
1	603 00 13-69	Gasket, 6 X 10	1
2	603 00 13-71	Cap, Bolt Assy	1
3	603 00 13-81	Nut, Lock, Special	1
4	603 00 13-82	Nut, Special	1
5	603 00 17-25	Assy, Idle Apparatus (includes items 6 through 11)	1
6	603 00 13-70	Nut, M8, D722 Idle App, Specl	1
7	603 00 13-72	Nut, M8, D722 Idle App	1
8	603 00 17-26	Assy, Bolt, Adjusting (includes items 9 and 10)	1
9	N/A	Spring, Idle Apparatus	1
10	N/A	Stud, Idle Adjustment	1
11	603 00 28-00	Gasket, Idle Apparatus, Rear	2
12	603 00 17-28	Gasket, Idle Apparatus, Front	1
13	603 00 28-01	Bolt, Idle Adjusting	1

8

D

DIESEL ENGINE



000182-001

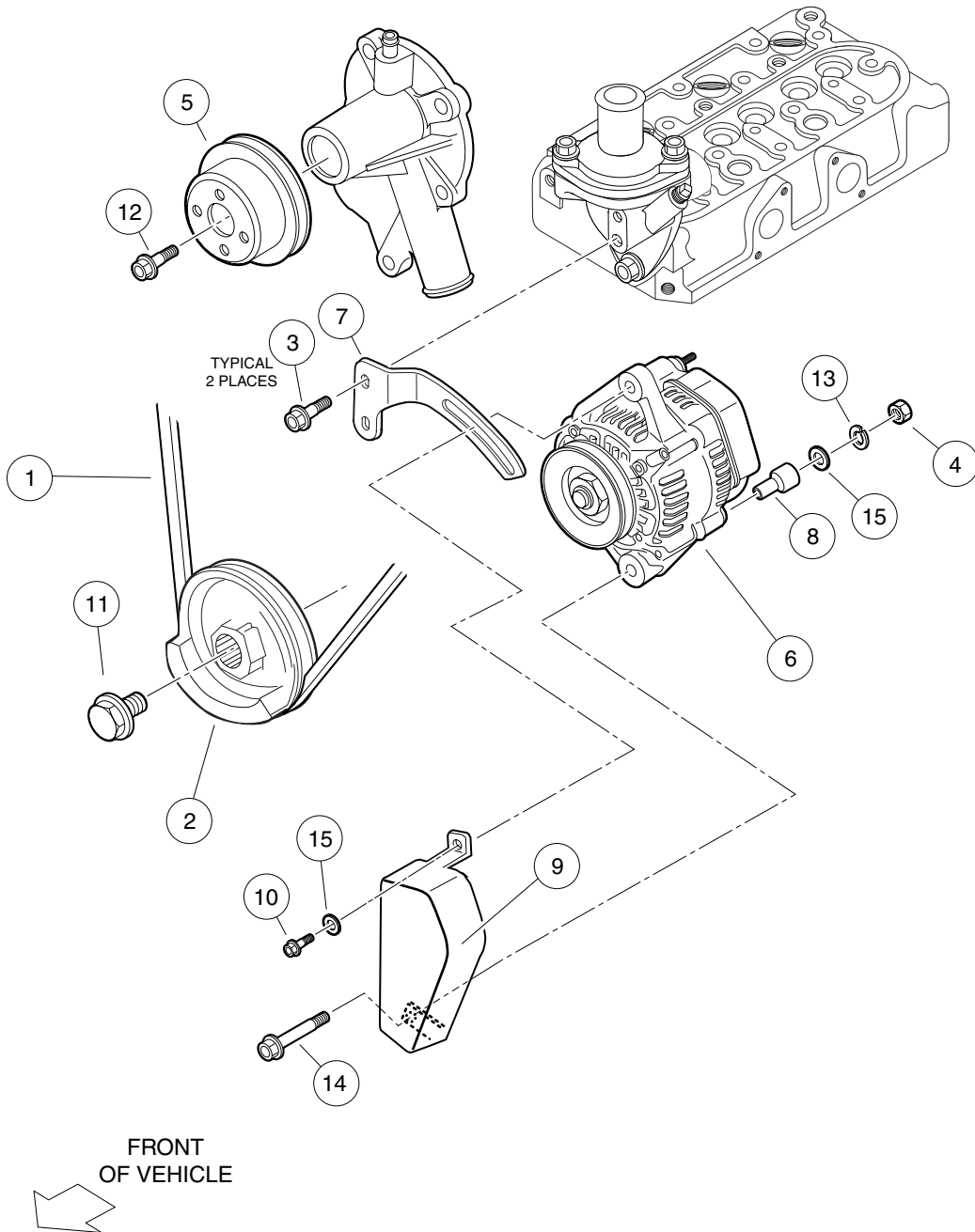
STOP SOLENOID

ITEM	PART NO.	DESCRIPTION	QTY
		1 2 3 4	
1	603 00 18-18	Washer, Spring, M6, D722	2
2	603 00 17-30	Bolt, Solenoid, Stop, D722	2
3	603 00 17-29	Solenoid, Stop	1
4	603 00 18-15	Stay, Stop Solenoid	1
5	603 00 18-16	O-Ring, Stop Solenoid	1
6	603 00 18-17	Bolt, Stop Solenoid	2

8

D

DIESEL ENGINE



000057-002

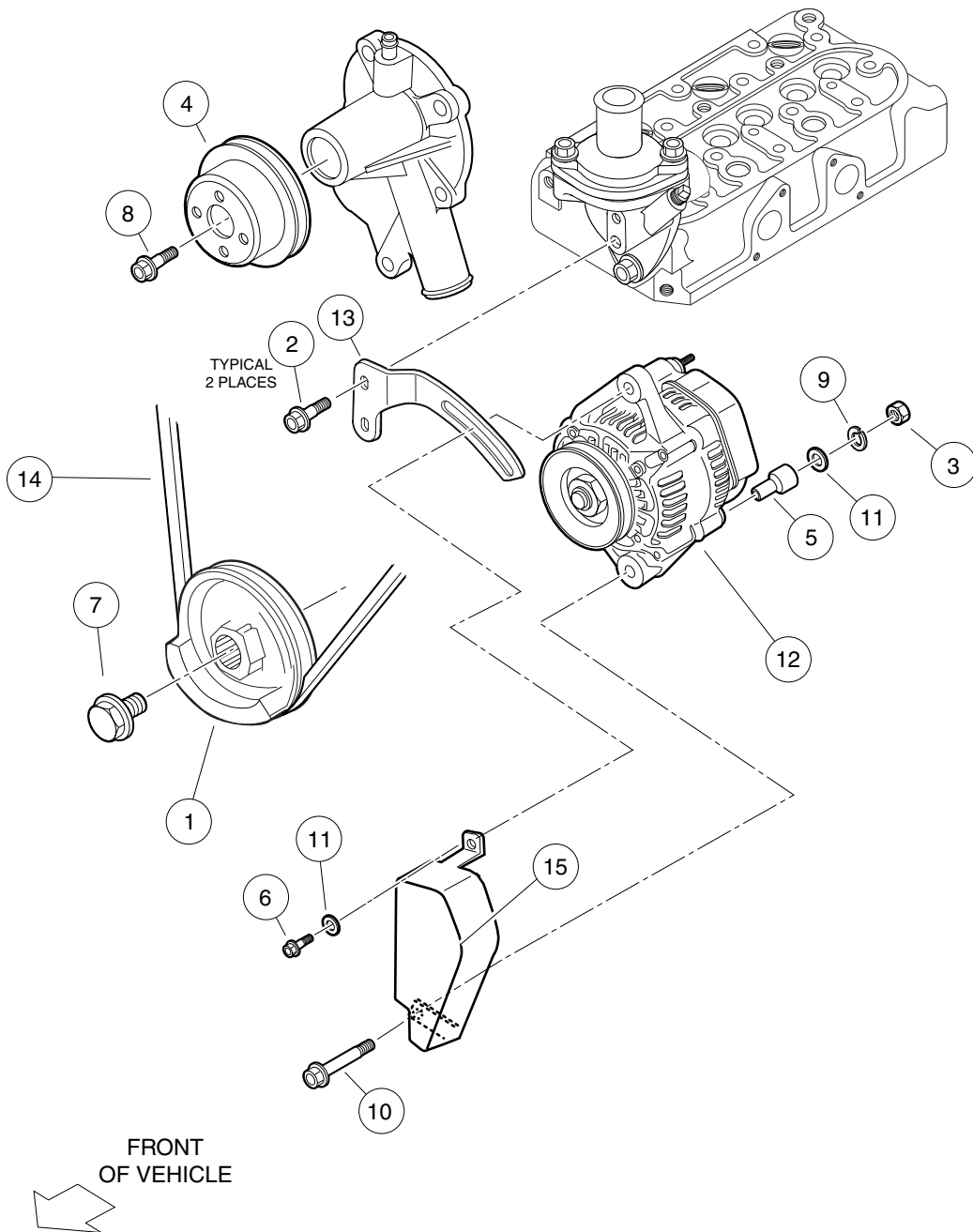
40-AMP ALTERNATOR

ITEM	PART NO.	DESCRIPTION	QTY
		1 2 3 4	
1	603 00 12-08	V-Belt	1
2	603 00 13-35	Pulley, Fan Drive	1
3	603 00 13-43	Bolt, M6 X 1 X 20	2
4	603 00 18-20	Nut, M8, Plate	1
5	603 00 16-63	Pulley, Water Pump	1
6	603 00 17-38	Alternator, 40-Amp	1
7	603 00 17-39	Stay, Alternator Assy, D722	1
8	603 00 17-40	Collar, Alternator Assy, D722	1
9	603 00 17-41	Cover, Alternator Assy, D722	1
10	603 00 17-42	Bolt, Alt, D722, Adjuster	1
11	603 00 17-44	Bolt, Alt, D722, Drive Pulley	1
12	603 00 17-51	Bolt, D722, Drive Pulley	4
13	603 00 18-19	Washer, Spring, D722, Starter	1
14	603 00 17-43	Bolt, Alternator, Lower	1
15	603 00 18-21	Washer, Alternator, Upper	2

8

D

DIESEL ENGINE



000057-003

60-AMP ALTERNATOR

ITEM	PART NO.	DESCRIPTION	QTY
		1 2 3 4	
1	603 00 13-35	Pulley, Fan Drive	1
2	603 00 13-43	Bolt, M6 X 1 X 20	2
3	603 00 18-20	Nut, M8, Plate	1
4	603 00 16-63	Pulley, Water Pump	1
5	603 00 17-40	Collar, Alternator Assy, D722	1
6	603 00 17-42	Bolt, Alt, D722, Adjuster	1
7	603 00 17-44	Bolt, Alt, D722, Drive Pulley	1
8	603 00 17-51	Bolt, D722, Drive Pulley	4
9	603 00 18-19	Washer, Spring, D722, Starter	1
10	603 00 17-43	Bolt, Alternator, Lower	1
11	603 00 18-21	Washer, Alternator, Upper	2
12	603 00 44-77	Alternator, 60 Amp	1
13	603 00 44-78	Brkt, Alt, D722, 60 Amp	1
14	603 00 44-79	Belt, Acc Drive, D722, 60 Amp	1
15	603 00 44-80	Guard, Acc Belt	1

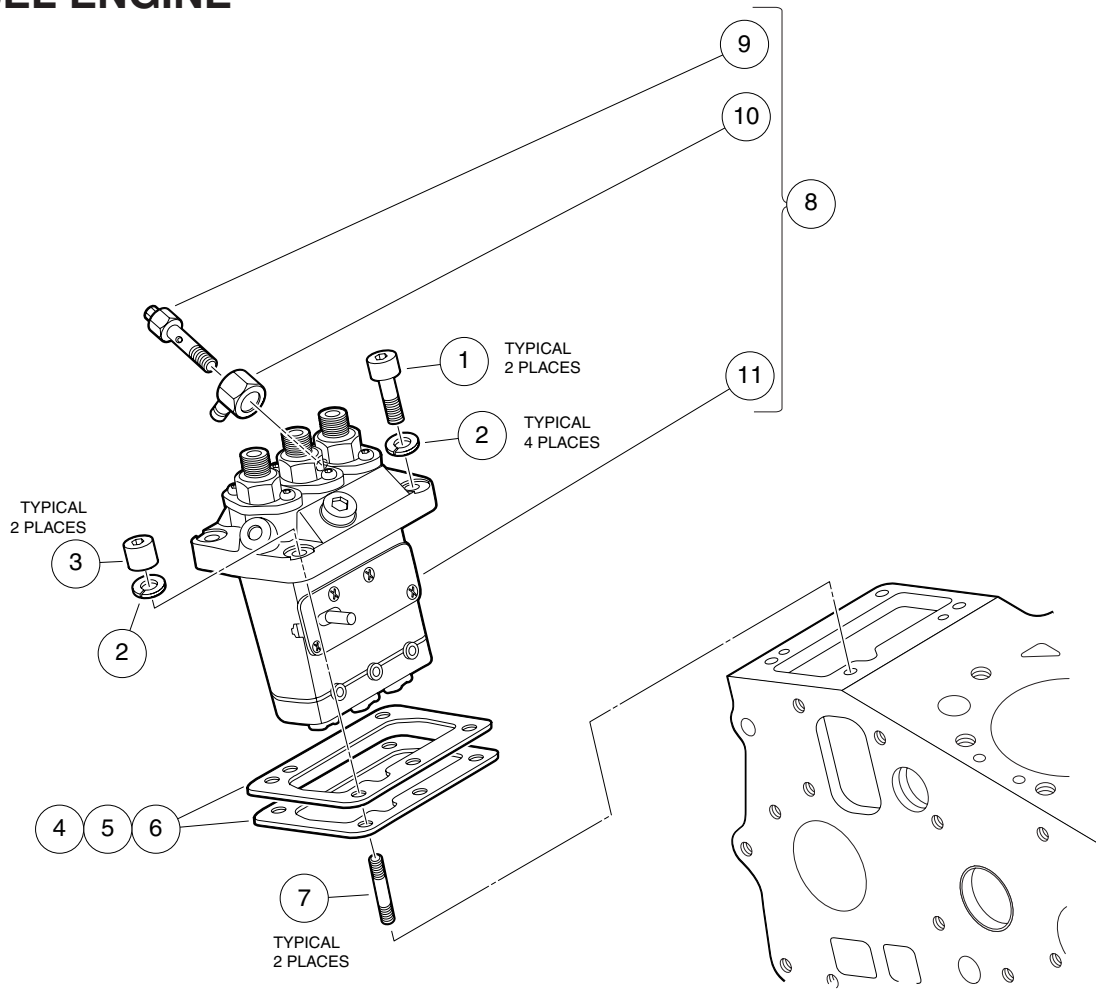
8

D

8

DIESEL ENGINE

D



FRONT
OF VEHICLE

000053-002

INJECTION PUMP

ITEM	PART NO.	DESCRIPTION	QTY
		1 2 3 4	
1	603 00 13-85	Bolt, Hex-Head, M5 X 0.75 X	2
2	603 00 18-18	Washer, Spring, M6, D722	4
3	603 00 13-87	Nut, Special	2
4	603 00 13-88	Shim, Injection Pump, 0.20 mm	A/R
5	603 00 13-89	Shim, Injection Pump, 0.25 mm	A/R
6	603 00 13-90	Shim, Injection Pump, 0.30 mm	A/R
7	603 00 13-91	Stud, M5 X 25	2
8	603 00 13-83	Assembly, Fuel Injection Pump (includes items 9 through 11)	1
9	N/A	Screw, Hollow, D722, Inj Pump	1
10	603 00 13-84	Joint, Eye	1
11	N/A	Pump, Injection	1

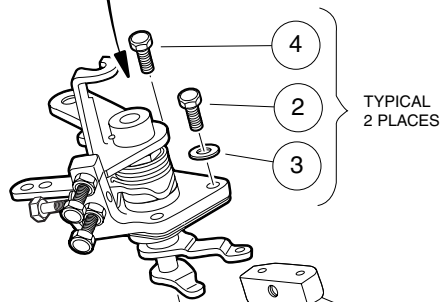
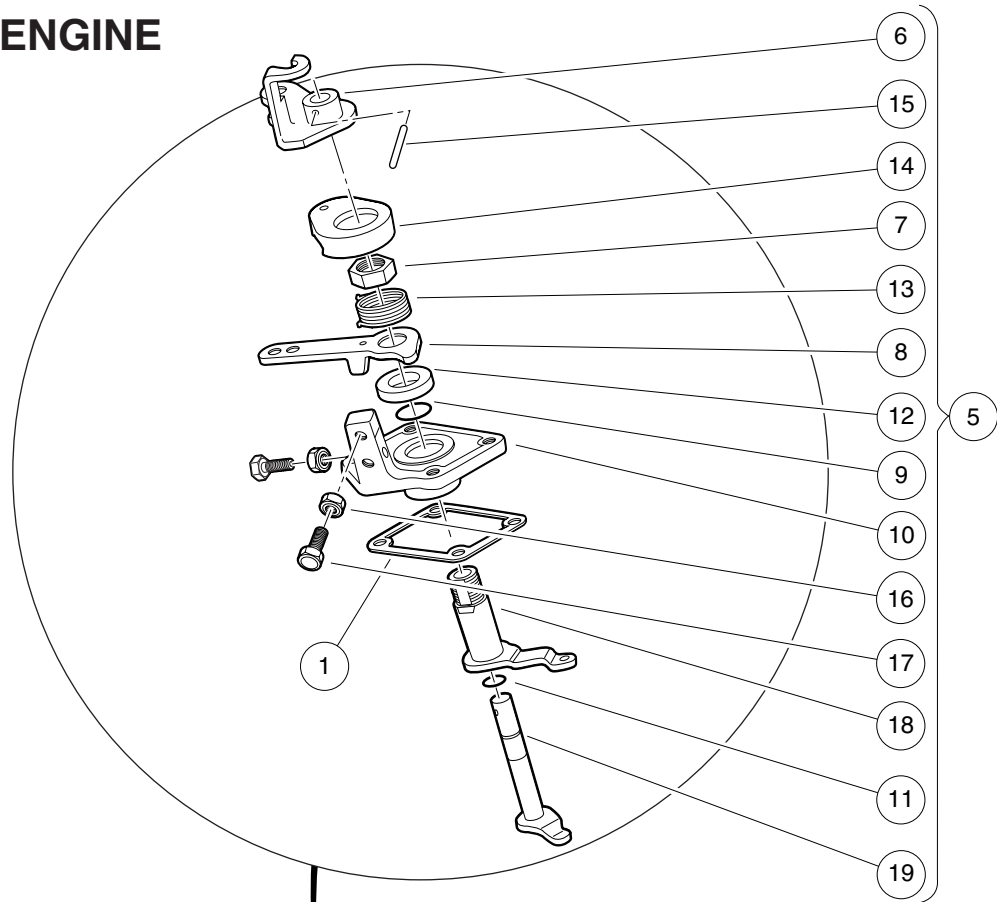
8

D

8

DIESEL ENGINE

D



FRONT
OF VEHICLE

000054-002

SPEED CONTROL PLATE

ITEM	PART NO.	DESCRIPTION	QTY
		1 2 3 4	
1	603 00 13-63	Gasket, Control Plate	1
2	603 00 13-68	Bolt, M6 X 1 X 30	2
3	603 00 13-69	Gasket, 6 X 10	2
4	603 00 14-56	Bolt, D722 Intake Manfld Lower	2
5	603 00 16-64	Assembly, Speed Plate (includes items 6 through 19)	1
6	603 00 13-55	Lever, Engine Stop	1
7	603 00 13-56	Nut, Speed Control	1
8	603 00 13-57	Lever, Speed Control	1
9	603 00 13-58	O Ring, 19 X 16	1
10	603 00 13-59	Plate, Speed Control	1
11	603 00 13-62	O Ring, 9 X 7	1
12	603 00 13-64	Collar, Lever	1
13	603 00 13-65	Spring, Return	1
14	603 00 17-32	Cap, Speed Cntrl Plate Rtrn	1
15	603 00 17-33	Pin, Spring, Speed Plate	1
16	N/A	Nut, Speed Control	2
17	N/A	Bolt, Speed Control	2
18	603 00 13-60	Lever, Governor	1
19	603 00 13-61	Shaft, Governor Lever	1

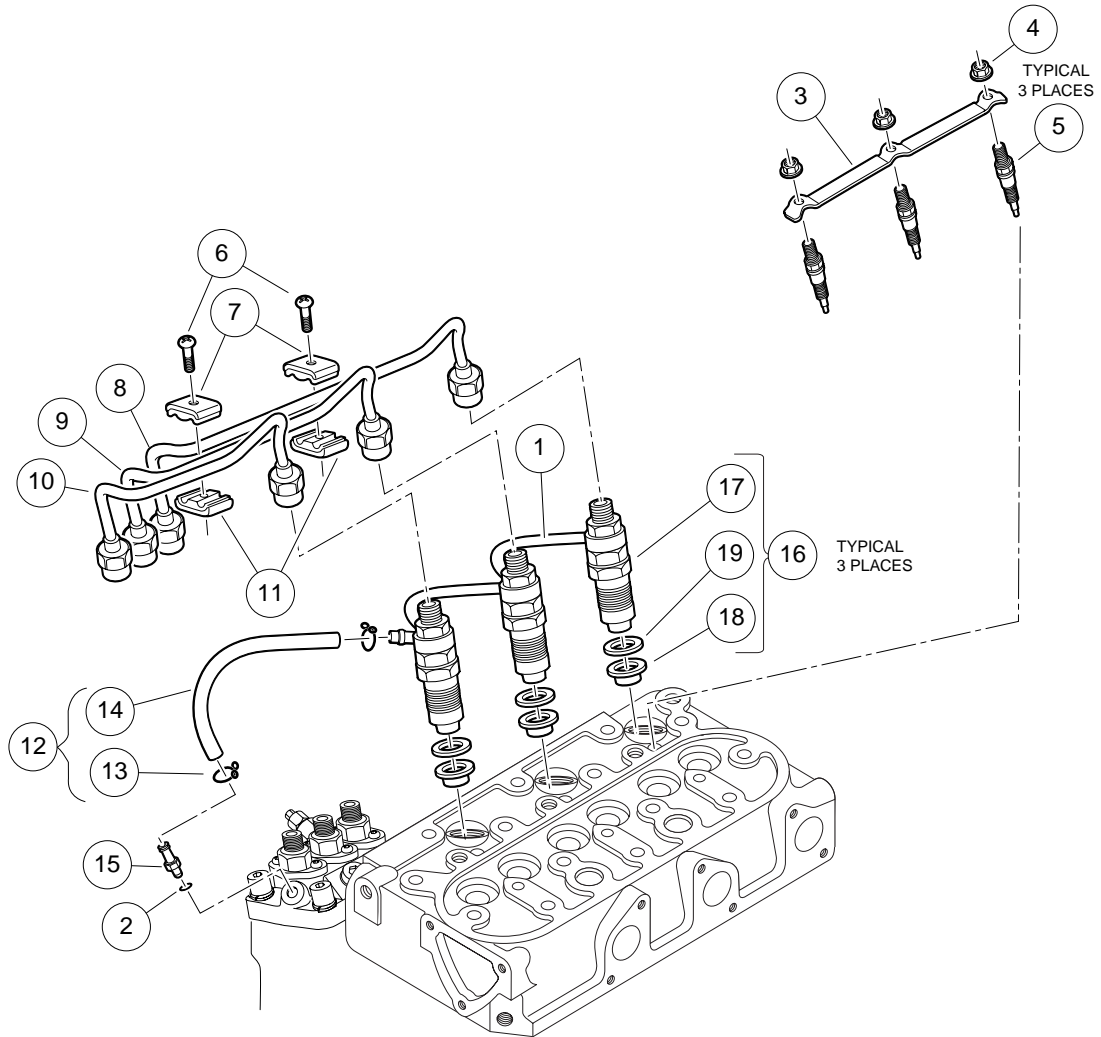
8

D

8

DIESEL ENGINE

D



FRONT
OF VEHICLE

000055-001

NOZZLE HOLDERS AND GLOW PLUGS

ITEM	PART NO.	DESCRIPTION	QTY
		1 2 3 4	
1	603 00 12-41	Assy Pipe, D722 Fuel Over Flow	1
2	603 00 13-69	Gasket, 6 X 10	1
3	603 00 13-93	Cord, Glow Plug	1
4	603 00 13-94	Nut, Flange,m4	3
5	603 00 13-95	Glow Plug	3
6	603 00 13-97	Screw, Washer	2
7	603 00 13-98	Clamp, Pipe, Top	2
8	603 00 13-99	Pipe, Injection, Left	1
9	603 00 14-00	Pipe, Injection, Right	1
10	603 00 14-01	Pipe, Injection, Middle	1
11	603 00 14-02	Clamp, Pipe, Bottom	2
12	603 00 14-03	Assy Pipe, Over Flow (includes items 13 and 14)	1
13	603 00 17-34	Clip, Pipe, Return	2
14	N/A	Hose, Overflow	1
15	603 00 14-05	Screw, Air Bleeder	1
16	603 00 17-35	Kit, Holder, Nozzle (includes items 17 through 19)	3
17	603 00 13-92	Assembly, Nozzle Holder	3
18	603 00 13-96	Seal, Heat	3
19	603 00 14-04	Gasket, Nozzle	3

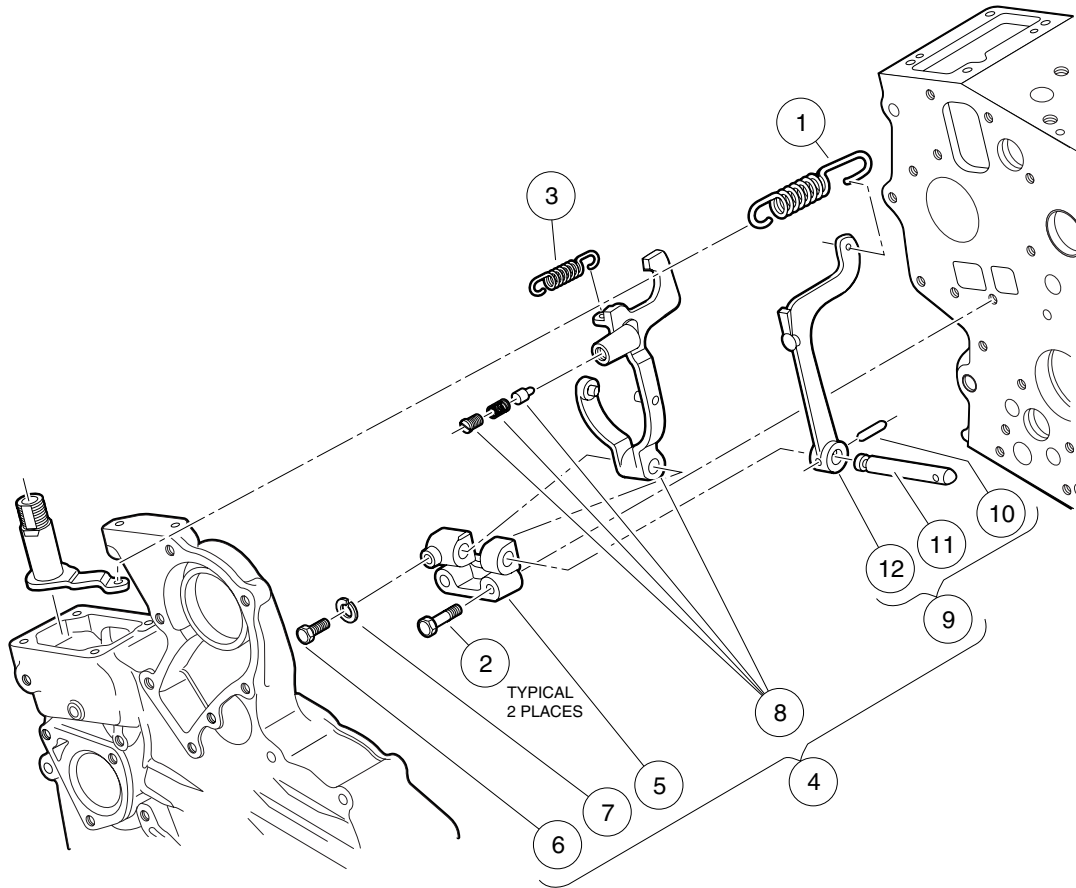
8

D

8

DIESEL ENGINE

D



FRONT
OF VEHICLE
↙

000056-002

GOVERNOR COMPONENTS

ITEM	PART NO.	DESCRIPTION	QTY
		1 2 3 4	
1	603 00 13-67	Spring, Governor	1
2	603 00 13-76	Bolt, M5 X 0.75 X 25	2
3	603 00 13-66	Spring, Start	1
4	603 00 17-36	Assembly, Governor Fork (includes items 5 through 9)	1
5	603 00 13-75	Holder, Fork Lever	1
6	603 00 13-77	Bolt, M5 X 0.75 X 11	1
7	603 00 13-78	Washer, Spring, M5	1
8	N/A	Lever, Fork, Middle, D722 CB	1
9	N/A	Assembly, Governor Fork Level, Lower, D722 CB (includes items 10 through 12)	1
10	603 00 13-54	Pin, Spring	1
11	603 00 13-79	Shaft, Fork Lever	1
12	N/A	Lever, Fork, End, D722 CB	1

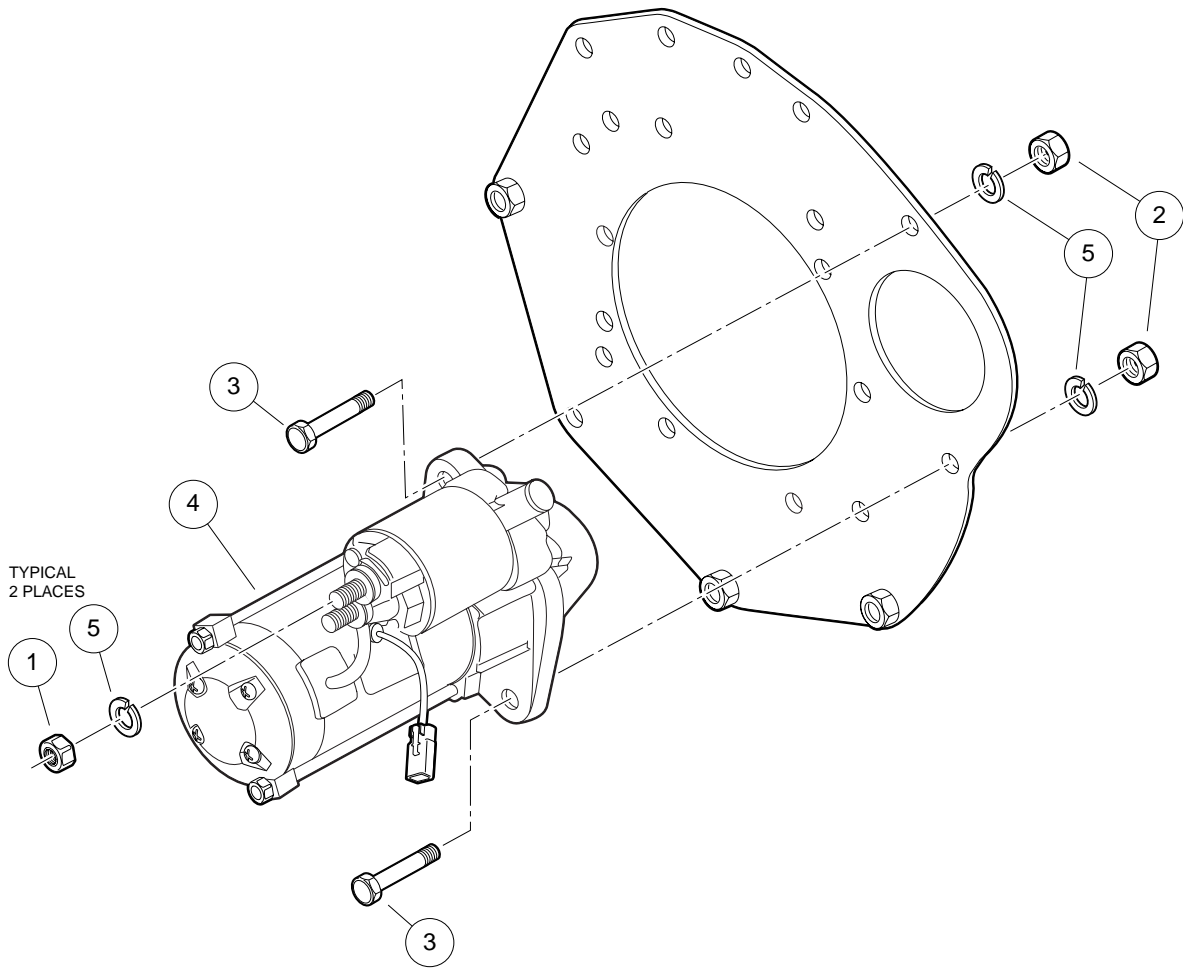
8

D

8

DIESEL ENGINE

D



TYPICAL
2 PLACES

FRONT
OF VEHICLE

000058-001

STARTER

ITEM	PART NO.	DESCRIPTION	QTY
		1 2 3 4	
1	603 00 14-17	Nut, D722, Starter	2
2	603 00 18-20	Nut, M8, Plate	2
3	603 00 14-32	Bolt, M8 X 1.25 X 28	2
4	603 00 14-33	Motor, Starter	1
5	603 00 18-19	Washer, Spring, D722, Starter	4

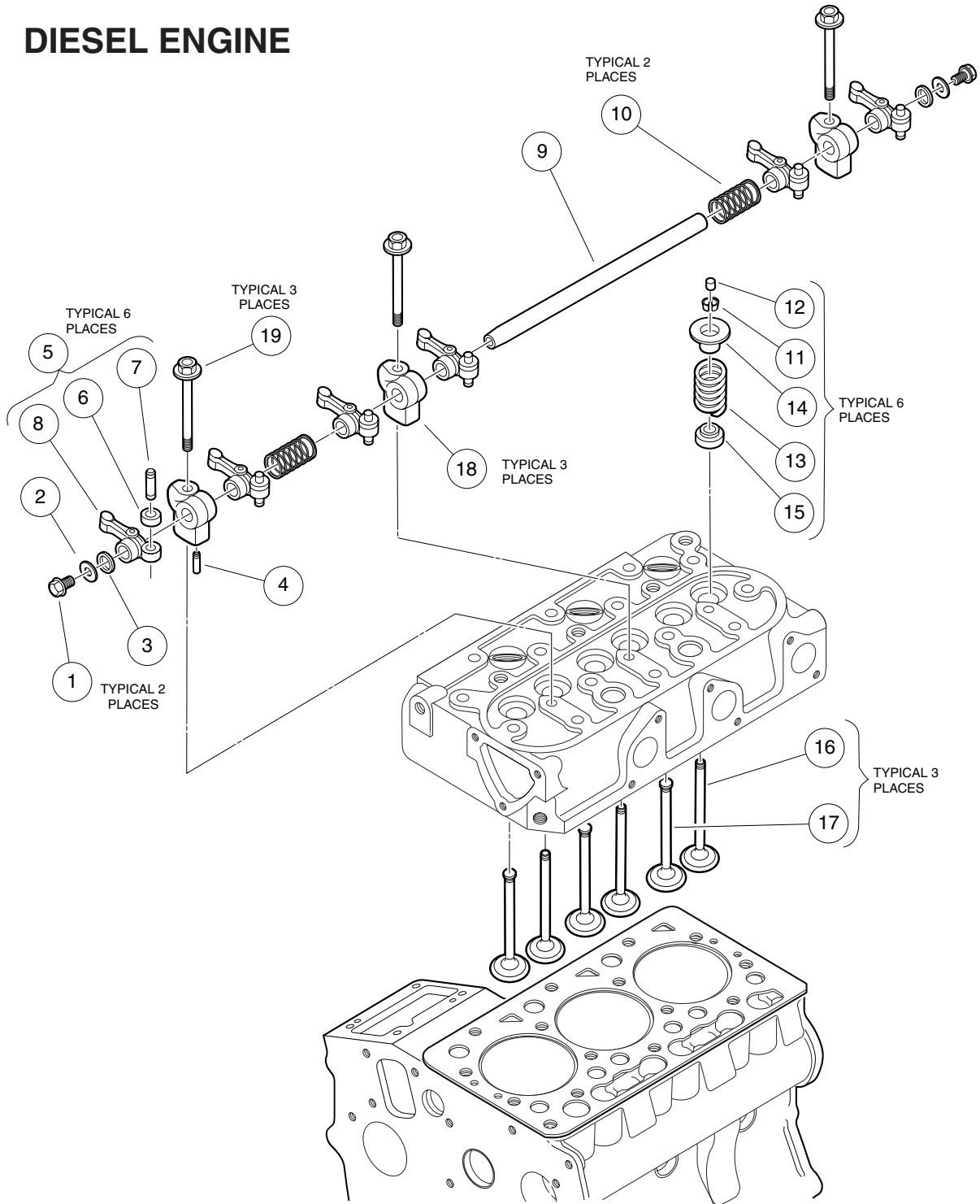
8

D

8

DIESEL ENGINE

D



FRONT
OF VEHICLE

000062-002

VALVES AND ROCKER ARMS

ITEM	PART NO.	DESCRIPTION	QTY
		1 2 3 4	
1	603 00 14-22	Bolt, M6 X 1 X 8	2
2	603 00 14-34	Washer, D722, Plain, Rocker	2
3	603 00 14-36	Washer, Rocker Arm	2
4	603 00 14-38	Pin, Spring, D722, Rocker	1
5	603 00 14-40	Assy Rocker Arm (includes items 6 through 8)	6
6	603 00 14-35	Nut, M6	6
7	603 00 14-37	Screw-Adjusting	6
8	N/A	Arm, Rocker	1
9	603 00 14-42	Shaft, Rocker Arm	1
10	603 00 14-43	Spring, Rocker Arm	2
11	603 00 14-45	Collet, Valve Spring, Set	6
12	603 00 14-46	Cap, Valve, D722	6
13	603 00 14-47	Spring, Valve	6
14	603 00 14-48	Retainer, Spring	6
15	603 00 14-49	Seal, Valve Stem	6
16	603 00 14-52	Valve, Exhaust	3
17	603 00 14-53	Valve, Inlet	3
18	603 00 14-41	Bracket, Rocker Arm, D722 Closed-Breather	3
19	603 00 14-39	Bolt, Rocker Arm	3

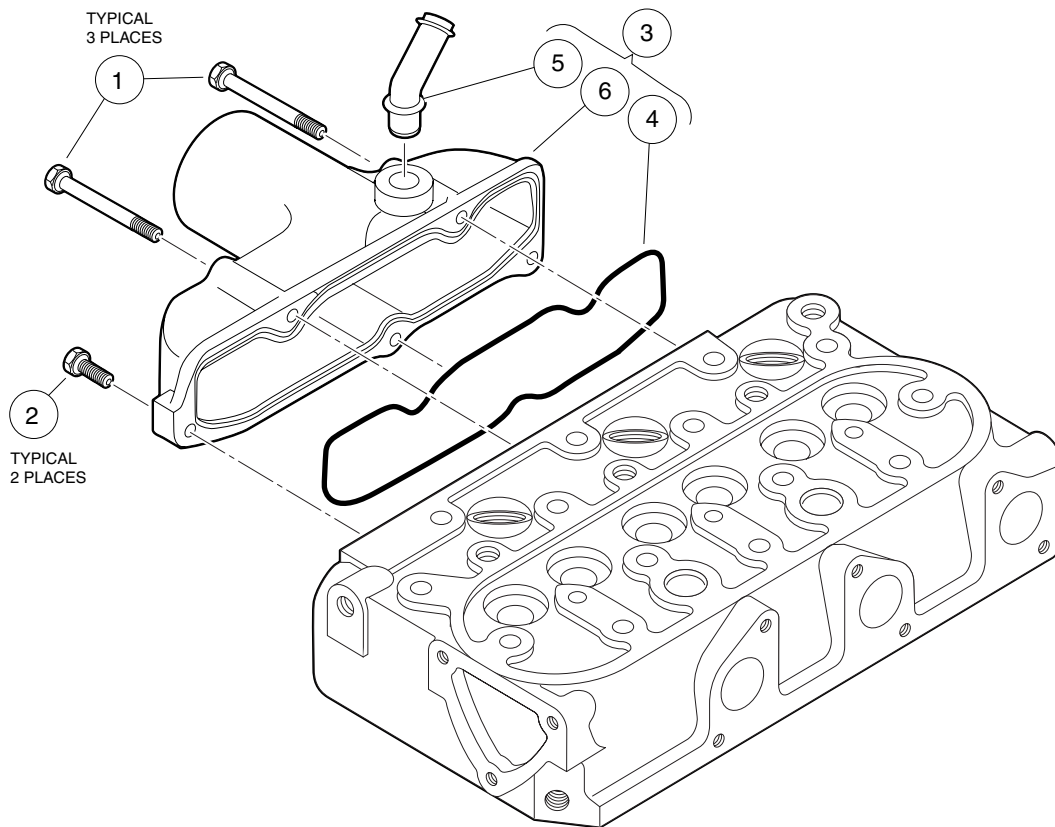
8

D

8

DIESEL ENGINE

D



FRONT
OF VEHICLE

000063-002

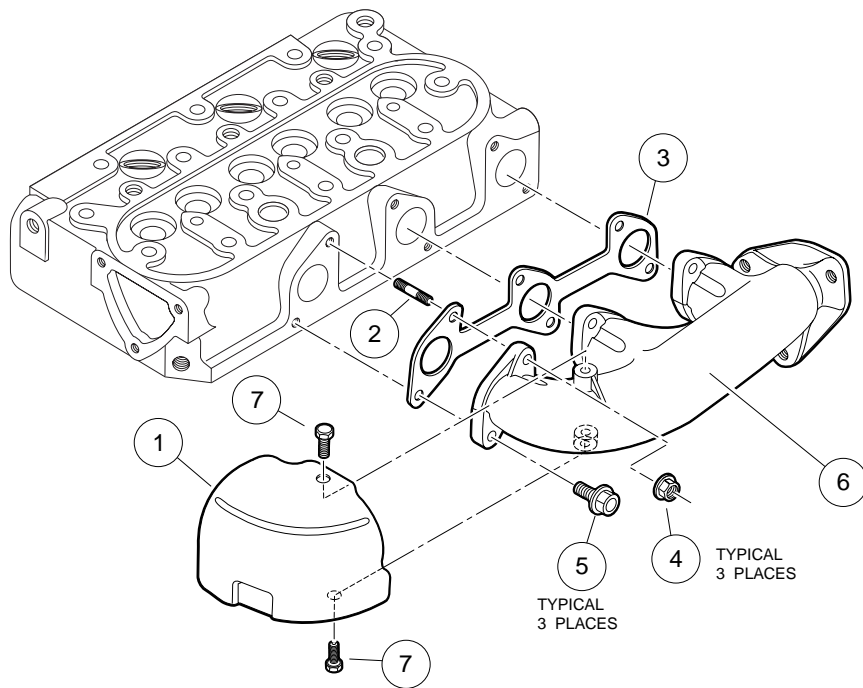
DIESEL INLET MANIFOLD

ITEM	PART NO.	DESCRIPTION	QTY
		1 2 3 4	
1	603 00 14-20	Bolt, M6 X 1 X 45	3
2	603 00 14-56	Bolt, D722 Intake Manfld Lower	2
3	603 00 14-18	Assembly, Intake Manifold (includes items 4 through 6)	1
4	603 00 14-19	Gasket, Intake Manifold	1
5	603 00 18-22	Pipe, Breather	1
6	N/A	Manifold, Intake	1

8

D

DIESEL ENGINE



000064-001

EXHAUST MANIFOLD

ITEM	PART NO.	DESCRIPTION	QTY
		1 2 3 4	
1	603 00 14-21	Cover, Heat Proof	1
2	603 00 14-23	Stud, M6 X 26	3
3	603 00 14-24	Gasket, Ex-manifold	1
4	603 00 14-25	Nut, Flange, M6, Ubs	3
5	603 00 14-26	Bolt, Flange Head, M6 X 1 X 16	3
6	603 00 17-52	Manifold, Exhaust, D722	1
7	603 00 17-53	Bolt, D722, Exhst Manfld Cover	2

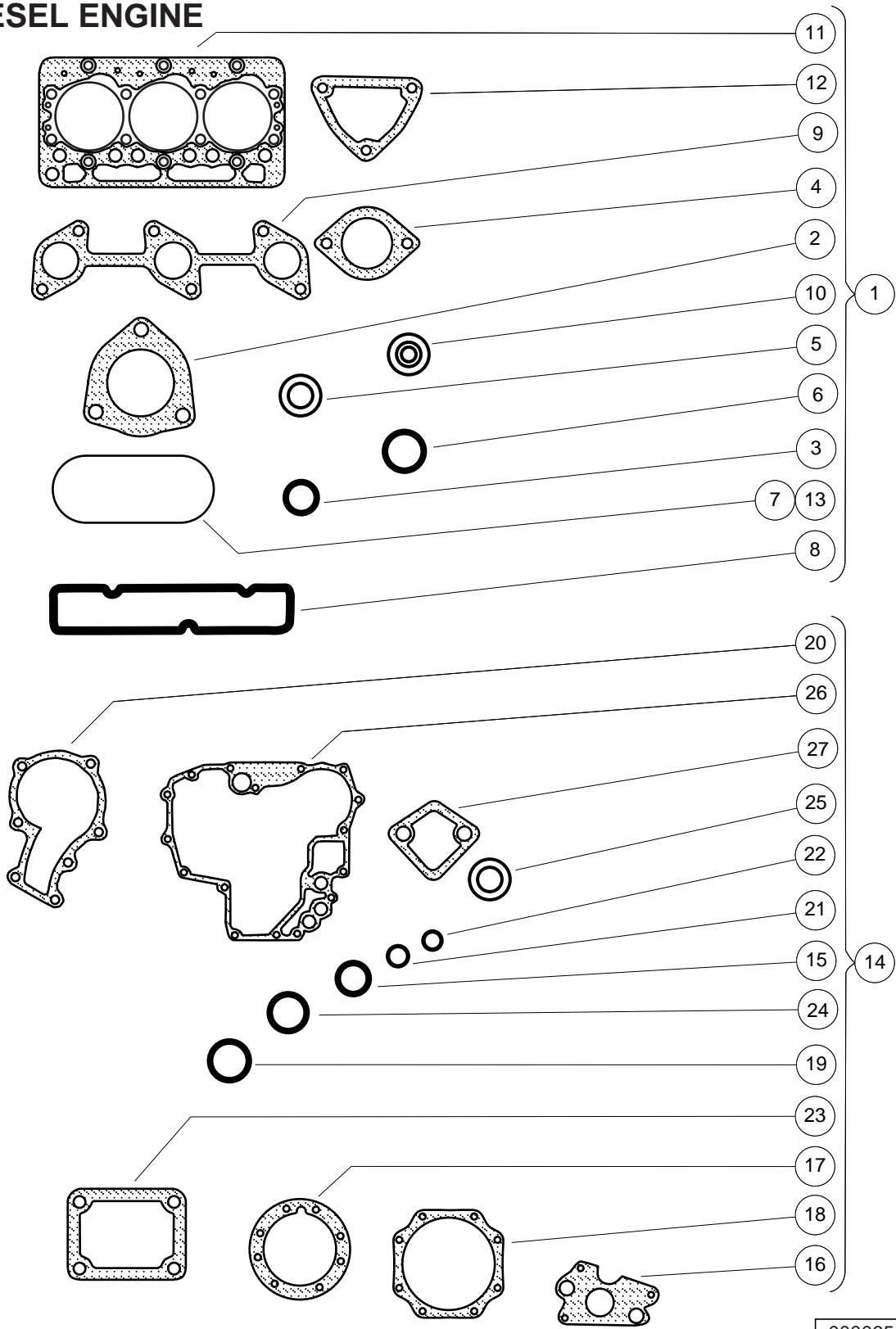
8

D

8

DIESEL ENGINE

D



000065-001

GASKET KITS

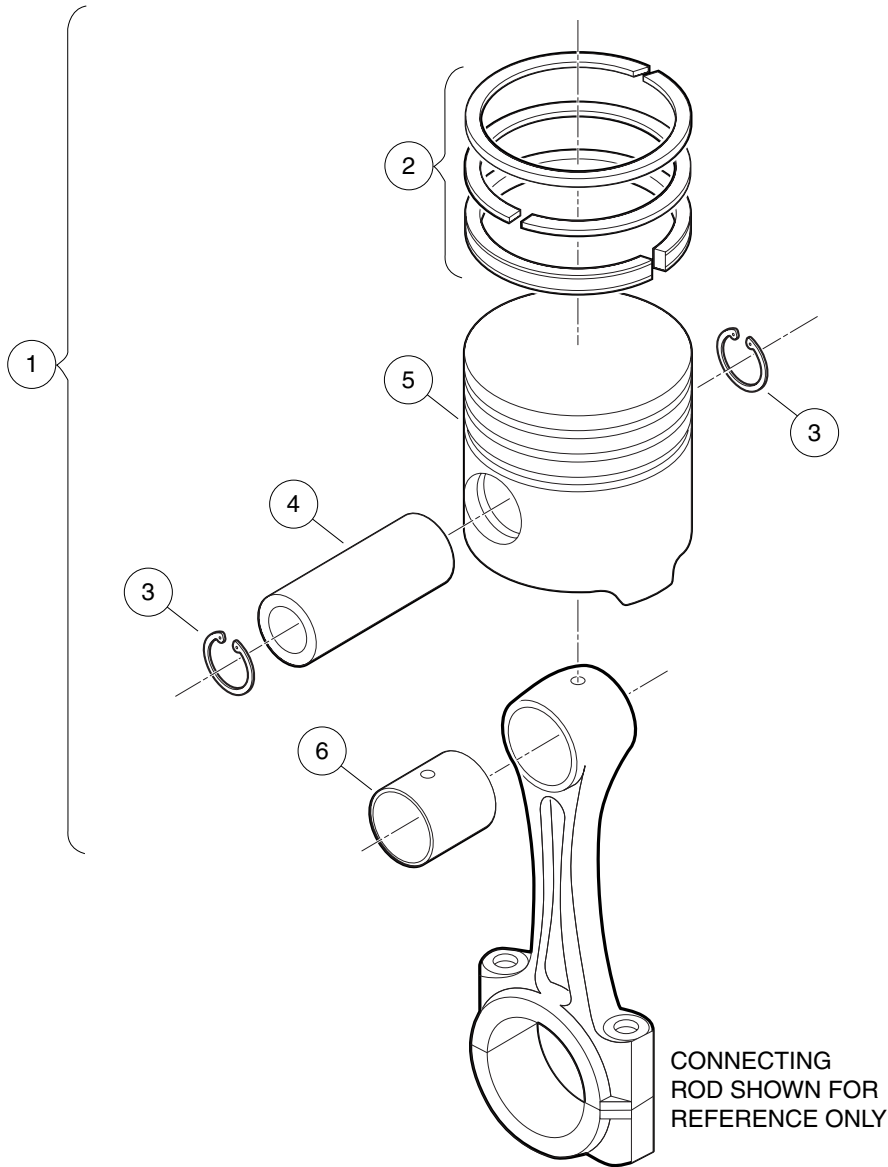
ITEM	PART NO.	DESCRIPTION	QTY
		1 2 3 4	
1	603 00 17-55	Kit, Gasket Upper, D722 (includes items 2 through 13)	1
2	603 00 09-96	Gasket, Exhaust Diesel	1
3	603 00 12-02	O Ring, 8 X 7	1
4	603 00 13-53	Gasket, Thermostat	1
5	603 00 13-69	Gasket, 6 X 10	3
6	603 00 14-06	O Ring, 30 X 36	1
7	603 00 14-10	Gasket, Head Cover	1
8	603 00 14-19	Gasket, Intake Manifold	1
9	603 00 14-24	Gasket, Ex-manifold	1
10	603 00 14-49	Seal, Valve Stem	6
11	603 00 14-55	Gasket, Cylinder Head	1
12	603 00 14-60	Gasket, Water Flange	1
13	603 00 18-23	Gasket, Cylinder Head Cover	1
14	603 00 17-56	Kit, Gasket Lower, D722 (includes items 15 through 27)	1
15	603 00 12-12	O Ring, 18 X 13	3
16	603 00 12-49	Gasket, Oil Pump	1
17	603 00 12-62	Gasket, Bearing Case	1
18	603 00 12-63	Gasket, Cover	1
19	603 00 13-33	O Ring, 23 X 26	1
20	603 00 13-49	Gasket, Water Pump, D722	1
21	603 00 13-58	O Ring, 19 X 16	1
22	603 00 13-62	O Ring, 9 X 7	1
23	603 00 13-63	Gasket, Control Plate	1
24	603 00 14-59	O Ring, 20 X 17	1
25	603 00 28-00	Gasket, Idle Apparatus, Rear	2
26	603 00 17-31	Gasket, Gearcase, D722	1
27	603 00 17-62	Gasket, Fuel Pump, D722	1

8

D

DIESEL ENGINE

D



000066-001

PISTON KIT

ITEM	PART NO.	DESCRIPTION	QTY
		1 2 3 4	
1	603 00 17-57	Kit, Piston Rebuild, D722 (includes items 2 through 6)	1
2	603 00 12-56	Assy Piston Ring, D722 Std	1
3	603 00 13-39	Circlip, Piston Pin	2
4	603 00 13-40	Pin, Piston	1
5	603 00 17-19	Piston, D722, Std	1
6	603 00 17-58	Bushing, Piston Pin, D722	1

8

D

8

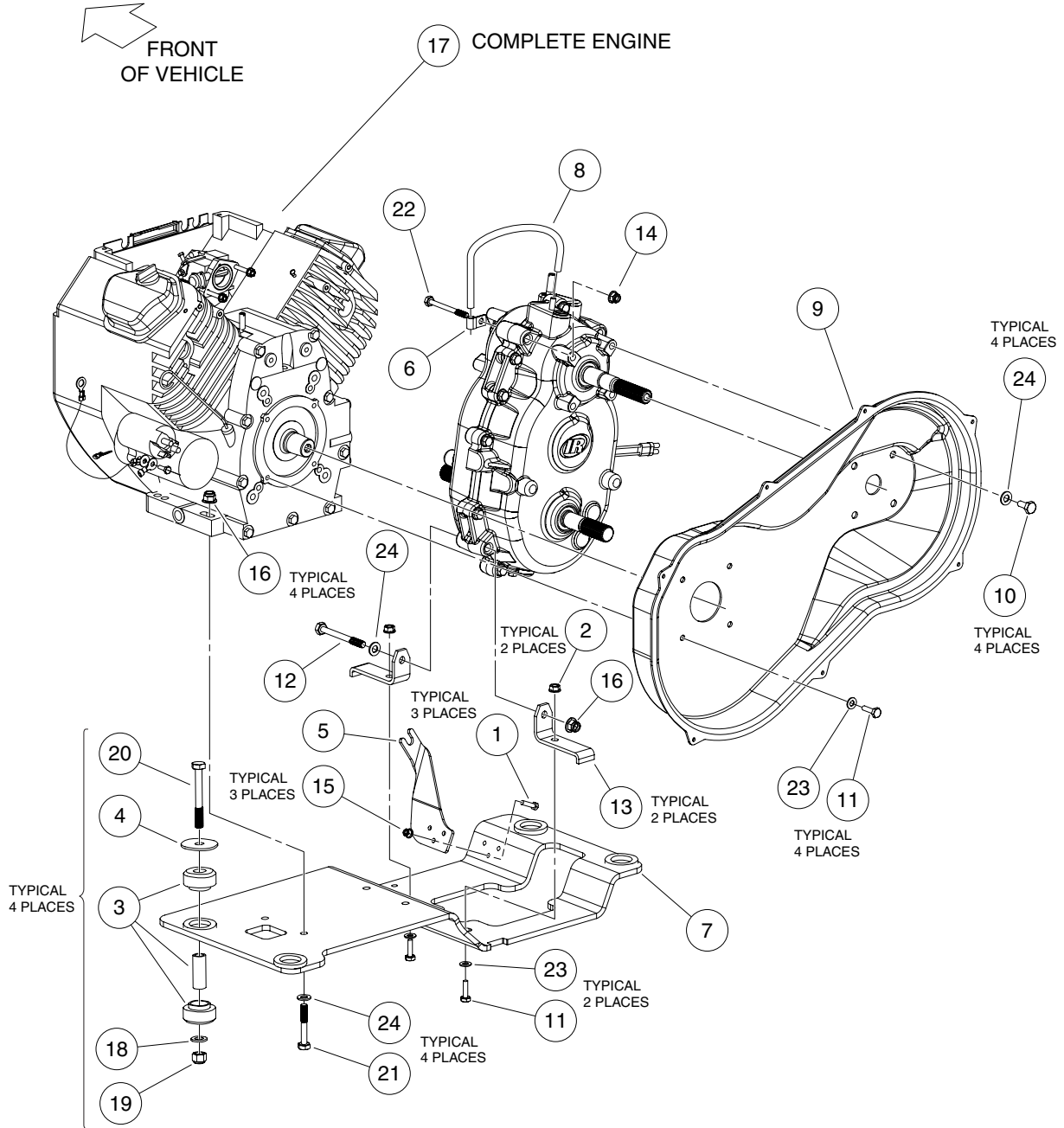
D

HONDA GX620 GASOLINE ENGINE

9

G

GASOLINE ENGINE



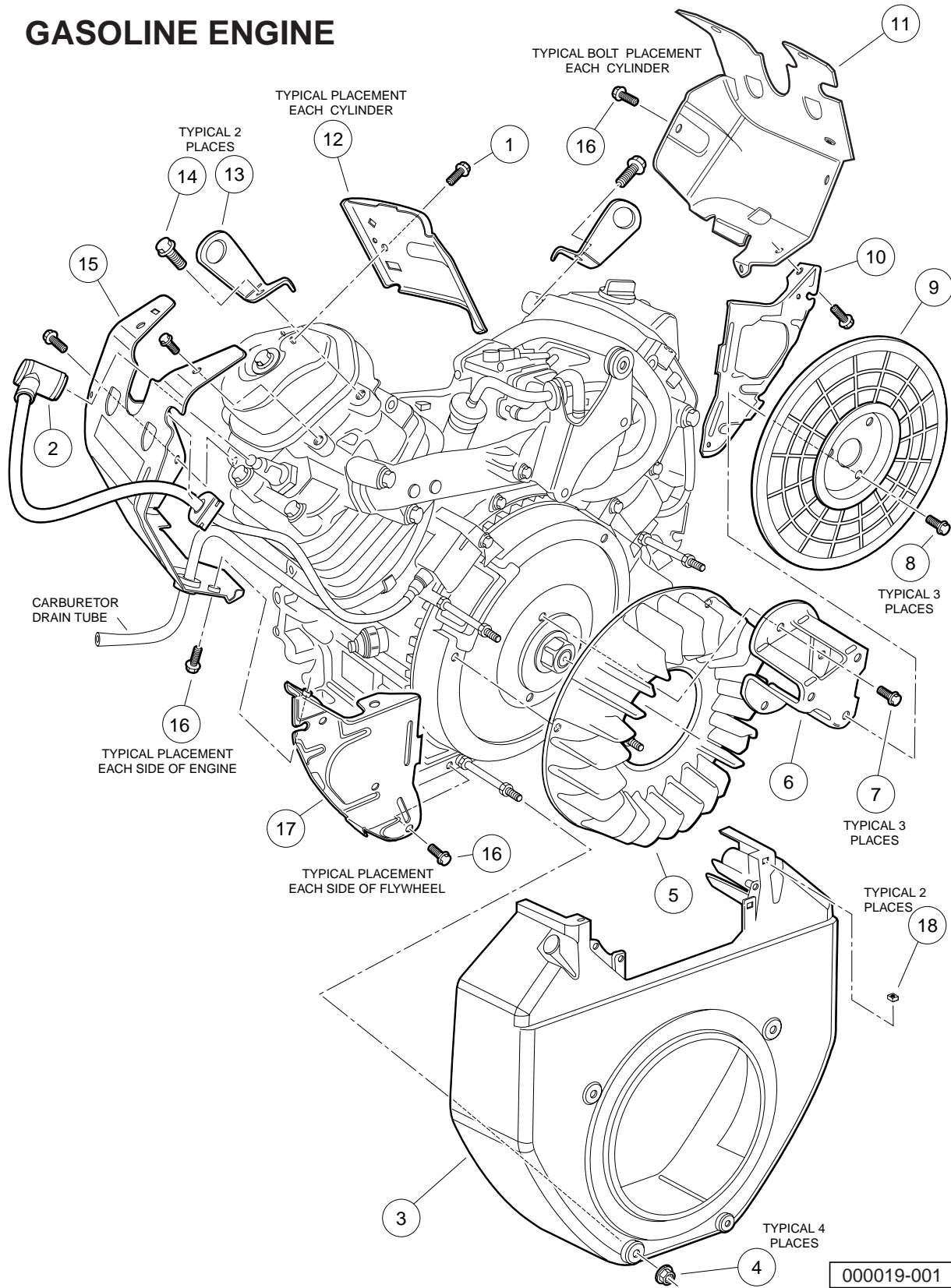
000025-003

HONDA GX620 GASOLINE ENGINE MOUNTING

ITEM	PART NO.	DESCRIPTION	QTY
		1 2 3 4	
1	603 00 01-57	Screw, M6-1.00 X 25mm Hex Cap	3
2	603 00 12-98	Nut,m8,all Metal Lock	2
3	603 00 09-08	Isolator Ring and Bushing	4
4	603 00 09-09	Washer, Snubbing, Ring N Bush	4
5	603 00 09-37	Bracket, FNR Trans Cable	1
6	603 00 09-66	P-Clamp, Insulated .312 In	1
7	603 00 09-86	Plate, Eng Mtg, Weld, Honda	1
8	603 00 11-11	Hose, Vent, Transmission	1
9	603 00 11-14	Cover, CVT Inner, Honda	1
10	603 00 11-65	Bolt, M10 X 1.5 X 20 Loctite	4
11	603 00 11-66	Bolt, M8 X 1.25 X 25 Loctite	6
12	603 00 11-69	Bolt, M10 X 1.5 X 100 Loctite	1
13	603 00 11-86	Bracket, Transmission Mounting	2
14	603 00 13-08	Lock Nut, Flg M8 X 1.25 Nylon	1
15	603 00 13-17	Nut Flg, M6 X 1.0 Nylon	3
16	603 00 15-86	Nut Flg M10 X 1.5 Nylon	5
17	531 30 82-56	Engine, Honda, No Acr	1
18	603 00 04-37	Washer, M12 Hard	4
19	N/A	Locknut, M12x1.75 Nylon Insert	4
20	603 00 04-40	Bolt, M12 X 1.75 X 90	4
21	603 00 04-41	Bolt, M10 X 1.5 X 60	4
22	603 00 04-49	Bolt, M8 X 1.25 X 80	1
23	603 00 04-50	Washer, M8 Hard	6
24	603 00 04-51	Washer, M10 Hard	9

9
G

GASOLINE ENGINE



000019-001

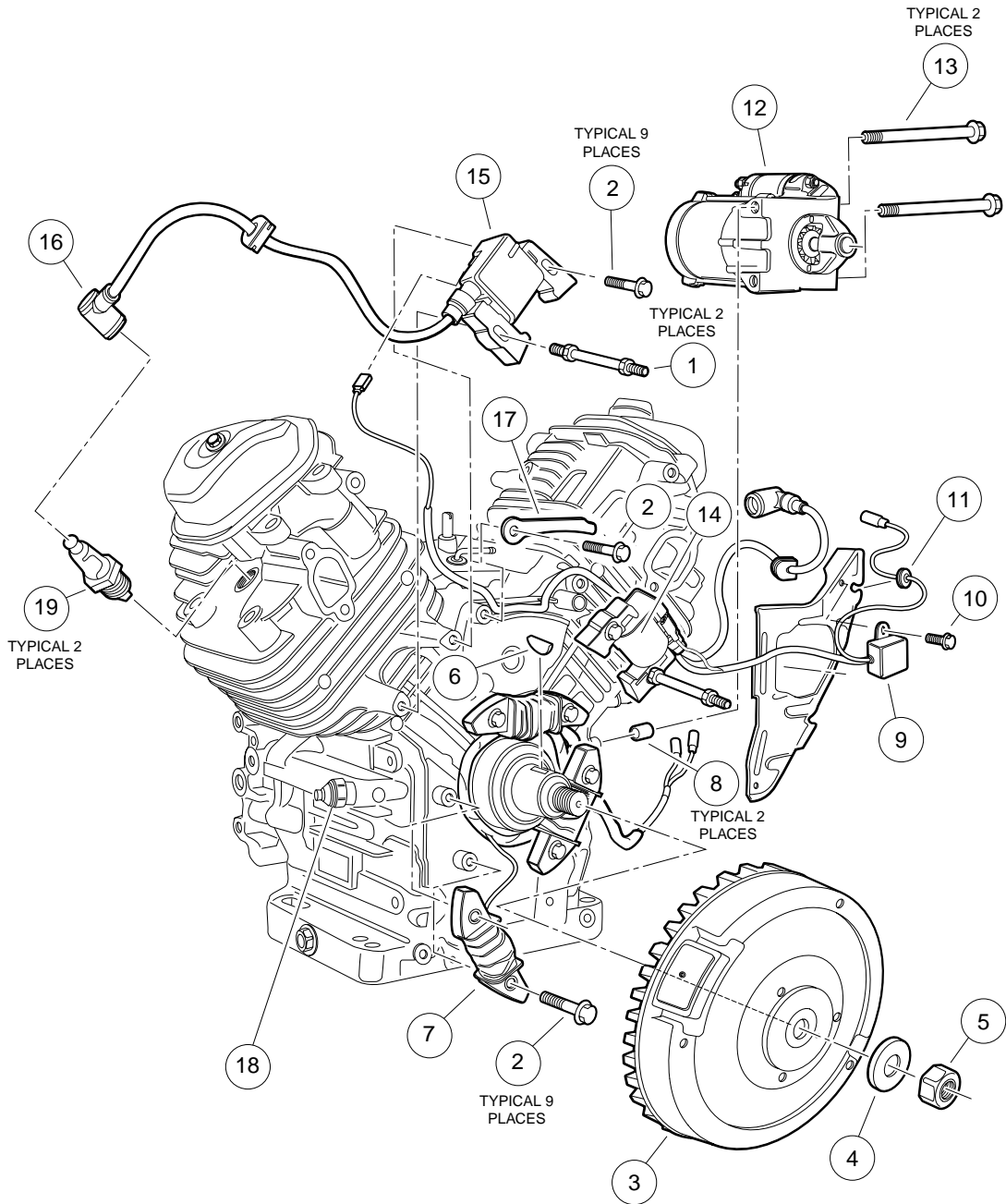
SHROUDS AND BRACKETS

ITEM	PART NO.	DESCRIPTION	QTY
		1 2 3 4	
1	603 00 14-83	Bolt, Flange Head, M6 X 11 X 4	2
2	603 00 15-68	Cap Assy, Noise Suppressor	2
3	603 00 15-69	Cover, Fan, Bright Red	1
4	603 00 15-70	Nut, Flange, M6	4
5	603 00 15-71	Fan, Cooling	1
6	603 00 15-72	Holder, Screen Grid	1
7	603 00 15-73	Bolt, Flange Head, M8 X 1.25 X 16	3
8	603 00 15-74	Bolt, Flange Head, M6 X 1 X 12	3
9	603 00 15-75	Grid Screen, PTO	1
10	603 00 15-76	Plate, R Side	1
11	603 00 15-77	Shroud, R	1
12	603 00 15-78	Shroud, Head	2
13	603 00 15-79	Hanger, Engine	2
14	603 00 15-80	Bolt, Flange Head, M8 X 1.25 X 20	2
15	603 00 15-81	Shroud, L	1
16	603 00 15-83	Bolt, Flange Head, M6 X 1 X 12	6
17	603 00 15-84	Plate, Left Side	1
18	603 00 17-78	Nut, Square, 5mm	2
<p>Note: The part number for a complete engine is 102402701.</p>			

9

G

GASOLINE ENGINE



000018-001

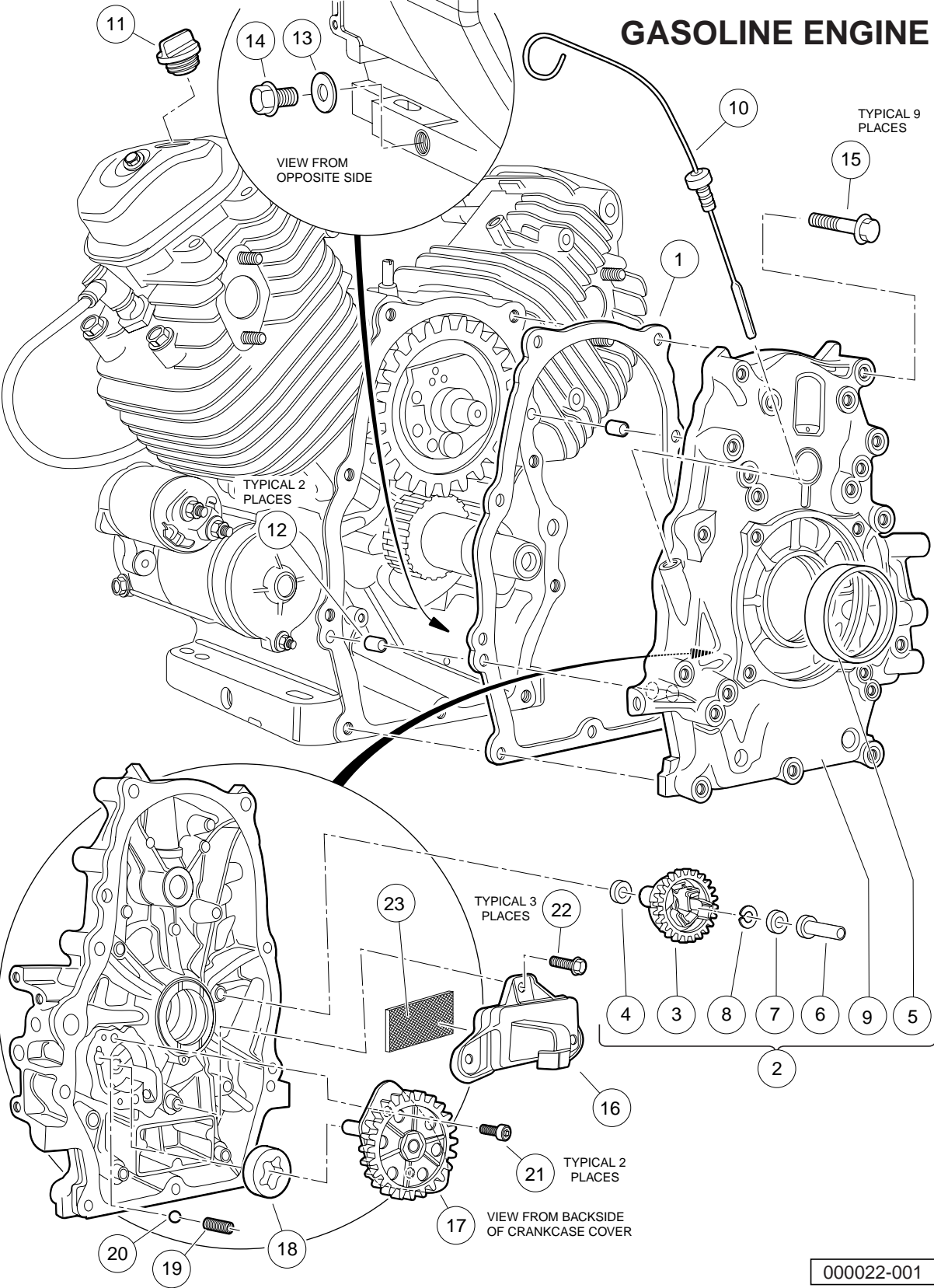
IGNITION COMPONENTS AND FLYWHEEL

ITEM	PART NO.	DESCRIPTION	QTY
		1 2 3 4	
1	603 00 14-62	Stud, Engine	2
2	603 00 15-32	Bolt, Flange Head, M6 X 1 X 32	9
3	603 00 15-55	Flywheel	1
4	603 00 35-93	Washer, M20	1
5	603 00 15-56	Nut, Flange, M20	1
6	603 00 15-58	Key, Special Woodruff, 25 X 18	1
7	603 00 15-59	Coil Assy, Charge, 12-Volt, 20-Amp	3
8	603 00 15-60	Pin, Dowel, 10x12	2
9	603 00 15-61	Diode Assembly	1
10	603 00 15-62	Bolt, Flange Head, M6 X 1 X 8	1
11	603 00 15-63	Grommet, Tool	1
12	603 00 15-64	Motor, Starter	1
13	603 00 15-65	Bolt, Flange Head, M8 X 1.25 X 110	2
14	603 00 15-66	Coil Assy, R, Ignition	2
15	603 00 15-67	Coil Assy, L, Ignition	2
16	603 00 15-68	Cap Assy, Noise Suppressor	2
17	603 00 15-82	Clamp, Wire	1
18	603 00 19-34	Switch, Oil Pressure	1
19	603 00 37-70	Spark Plug, BPR2ES	2

9

G

GASOLINE ENGINE



000022-001

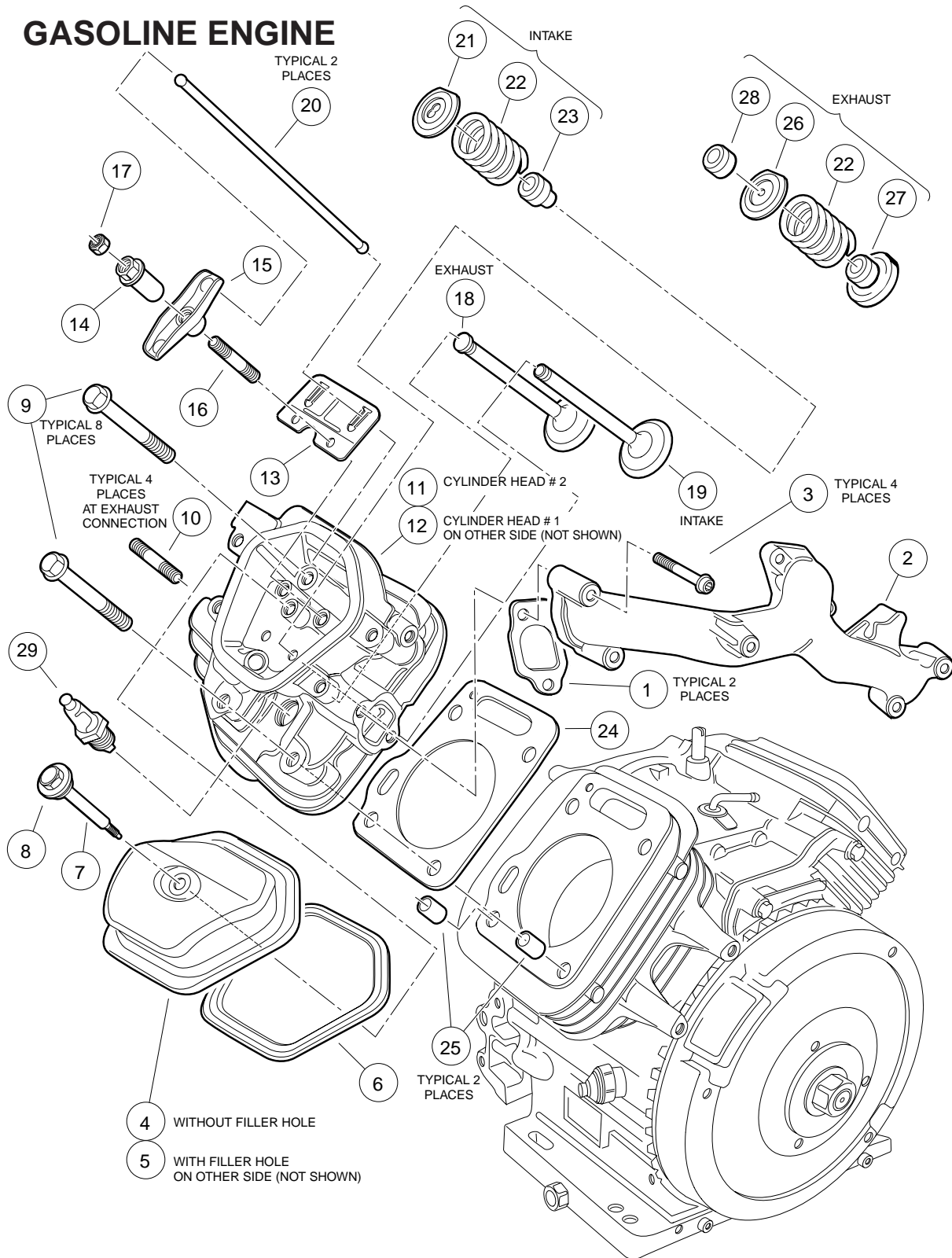
OIL CIRCULATION

ITEM	PART NO.	DESCRIPTION	QTY
		1 2 3 4	
1	603 00 14-87	Gasket, Case Cover	1
2	603 00 14-88	Cover Assembly, Crankcase (includes items 3 through 9)	1
3	603 00 14-95	Governor Assembly	1
4	603 00 15-03	Washer, Plain, M6	1
5	603 00 16-90	Seal, Oil, 38 X 58 X 9	1
6	603 00 16-91	Slider, Governor	1
7	603 00 16-92	Washer, 6 X 16	1
8	603 00 16-93	Clip, Governor	1
9	N/A	Cover, Crankcase	1
10	603 00 14-89	Dipstick, Oil	1
11	603 00 14-90	Cap, Oil Filler	1
12	603 00 14-91	Pin A, Dowel, 8 X 14	2
13	603 00 14-92	Washer, Drain Plug, M14	1
14	603 00 14-93	Bolt, Drain Plug , M14	1
15	603 00 14-94	Bolt, Flange Head, M8 X 1.25 X 50	9
16	603 00 14-96	Cover, Oil Filter	1
17	603 00 14-97	Cover Assembly, Oil Pump	1
18	603 00 14-98	Rotor, Oil Pump, Outer	1
19	603 00 14-99	Spring, Relief Valve	1
20	603 00 15-00	Ball, Steel , 3/8, #12	1
21	603 00 15-01	Bolt, Socket	2
22	603 00 15-02	Bolt, Flange Head, M6 X 1 X 20	3
23	603 00 16-94	Screen, Oil Filter	1

9

G

GASOLINE ENGINE



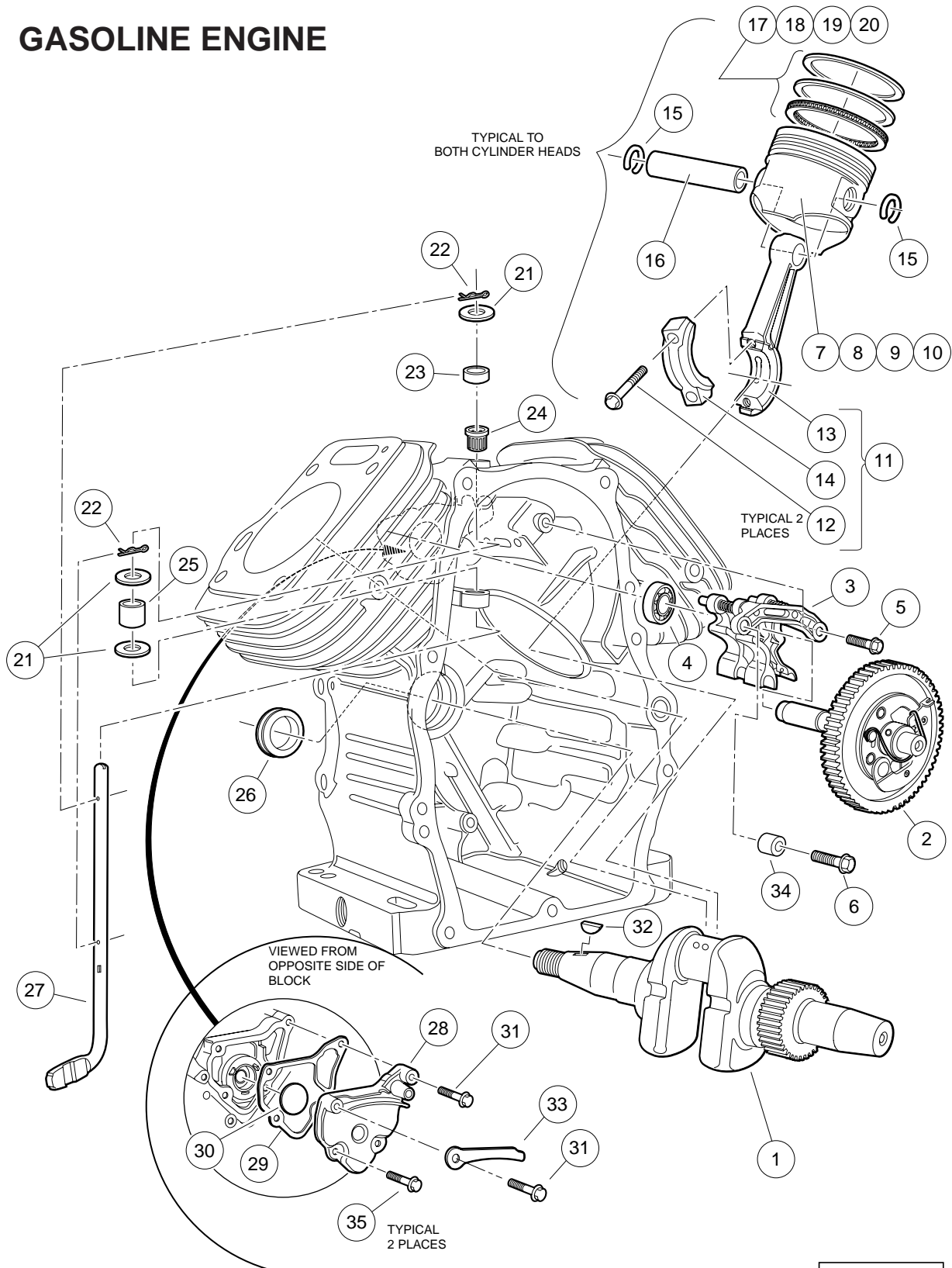
000013-001

CYLINDER HEAD

ITEM	PART NO.	DESCRIPTION	QTY
		1 2 3 4	
1	603 00 14-84	Gasket, Intake Manifold	2
2	603 00 14-85	Manifold, Inlet	1
3	603 00 14-86	Bolt, Socket, M8 X 1.25 X 45	4
4	603 00 15-33	Cover, Head	1
5	603 00 15-34	Cover, Head Filler	1
6	603 00 15-35	Gasket, Cylinder Head Cover	2
7	603 00 15-36	Bolt, Head Cover	2
8	603 00 15-37	Washer, Head Cover	2
9	603 00 15-38	Bolt, Flange Head, M10 X 1.5 X 80	8
10	603 00 15-39	Bolt, Stud, M8x22	4
11	603 00 15-40	Cylinder Head, #2	1
12	603 00 15-41	Cylinder Head, #1	1
13	603 00 15-42	Plate, Push Rod Guide	2
14	603 00 15-43	Pivot, Rocker Arm	4
15	603 00 15-44	Arm, Valve Rocker	4
16	603 00 15-45	Bolt, Pivot, M8	4
17	603 00 15-46	Nut, Pivot Adj	4
18	603 00 15-47	Valve, Ex	2
19	603 00 15-48	Valve, In	2
20	603 00 15-49	Rod, Push	4
21	603 00 15-50	Retainer, In Valve Spring	2
22	603 00 15-51	Spring, Valve	4
23	603 00 15-52	Seal, Valve Stem	2
24	603 00 15-53	Gasket, Cylinder Head	2
25	603 00 15-54	Pin A, Dowel ,12 X 20	4
26	603 00 16-85	Retainer, Ex Valve Spring	2
27	603 00 16-86	Seat, Valve Spring	2
28	603 00 16-87	Rotator, Valve	2
29	603 00 37-70	Spark Plug, BPR2ES	2

9
G

GASOLINE ENGINE



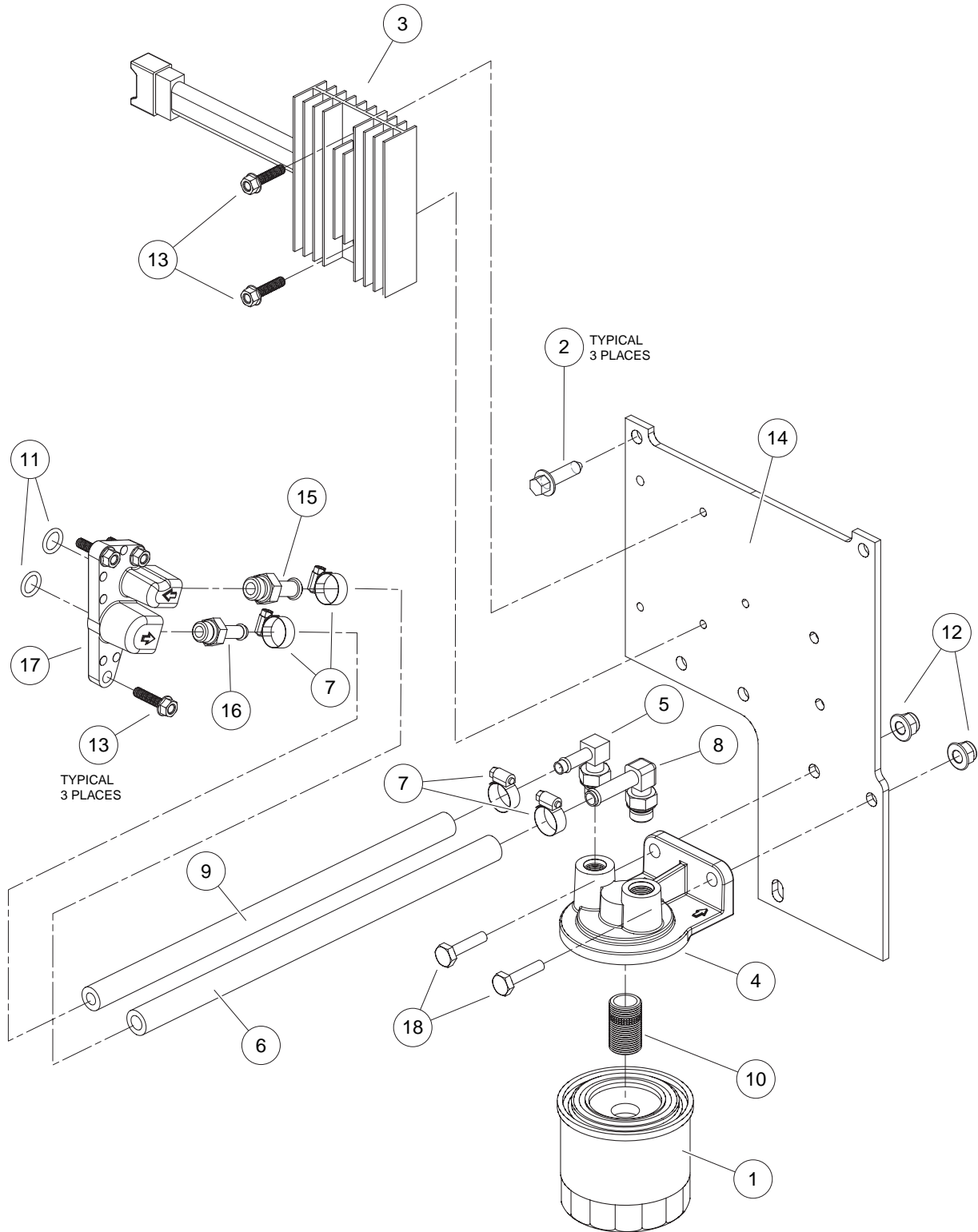
000023-001

CRANKCASE AND CRANKSHAFT

ITEM	PART NO.	DESCRIPTION	QTY
		1 2 3 4	
1	603 00 15-04	Crankshaft	1
2	603 00 15-05	Camshaft Assembly	1
3	603 00 15-06	Lifter Assembly, Valve	1
4	603 00 15-07	Bearing, Radial Ball, 6003	1
5	603 00 15-08	Bolt, Flange Head, M5 X 1 X 16	1
6	603 00 15-09	Bolt, Flange Head, M6 X 1 X 25	1
7	603 00 15-10	Piston, Std	2
8	603 00 15-11	Piston, Over-Sized 0.25	2
9	603 00 15-12	Piston, Over-Sized 0.50	2
10	603 00 15-13	Piston, 0.75	2
11	603 00 15-14	Rod Assy., Connecting (includes items 12 through 14)	2
12	603 00 15-21	Bolt, Connecting Rod, 6 X 37	2
13	N/A	Connecting Rod	1
14	N/A	Cap, Connecting Rod	1
15	603 00 15-15	Clip, Piston Pin, 18mm	4
16	603 00 15-16	Pin, Piston	2
17	603 00 15-17	Ring Set, Piston, Std	2
18	603 00 15-18	Ring Set, Piston, OS 0.25	2
19	603 00 15-19	Ring Set, Piston, OS 0.50	2
20	603 00 15-20	Ring Set, Piston, OS 0.75	2
21	603 00 15-22	Washer, Plain, M8	3
22	603 00 15-23	Pin, Lock, 8 Mm	2
23	603 00 15-24	Bearing, Needle, 8 X 12.7 X 11	1
24	603 00 15-25	Oil Seal, 8 X 14 X 5	1
25	603 00 04-46	Bearing, Needle, 8 X 12 X 10	1
26	603 00 15-27	Oil Seal, 38 X 58 X 9	1
27	603 00 15-28	Shaft, Governor Arm	1
28	603 00 15-29	Cover, Breather	1
29	603 00 15-30	Gasket, Breather Cover	1
30	603 00 15-31	Valve, Breather	1
31	603 00 15-32	Bolt, Flange Head, M6 X 1 X 32	2
32	603 00 15-58	Key, Special Woodruff, 25 X 18	1
33	603 00 15-82	Clamp, Wire	1
34	603 00 16-95	Pin A, Dowel	1
35	603 00 16-96	Bolt, Flange Head, 6 X 16	1

9
G

GASOLINE ENGINE



000083-001

OIL FILTER ADAPTER AND VOLTAGE REGULATOR

ITEM	PART NO.	DESCRIPTION	QTY
		1 2 3 4	
1	603 00 00-06	Filter, Oil	1
2	603 00 08-69	Screw, M8X1.25X30, Hex	3
3	603 00 08-85	Regulator, Voltage	1
4	603 00 09-11	Bracket, Oil Filter Mount	1
5	603 00 10-15	Adapter, 90, 5/16 Tube	1
6	603 00 10-56	Hose, 3/8, Remote Oil, Honda	1
7	603 00 10-57	Clamp, Hose	4
8	603 00 10-99	Adapter, 90, 3/8 Tube	1
9	603 00 11-00	Hose, 5/16, Remote Oil, Honda	1
10	603 00 11-42	Nipple, M20, Remote Oil	1
11	603 00 11-68	O-ring 11.8 X 2.4	2
12	603 00 13-08	Lock Nut, Flg M8 X 1.25 Nylon	2
13	603 00 15-87	Screw, M6 X 1 X 25 Thd Form	5
14	603 00 16-67	Plate, Fuel/Oil System	1
15	603 00 16-82	Adapter, 3/8 Hose	1
16	603 00 16-83	Adapter, 5/16 Hose	1
17	603 00 09-10	Adapter, Oil Filter, Honda Eng	1
18	603 00 04-43	Bolt, M8 X 1.25 X 30	2

9
G

9

G

FUEL, INTAKE, AND GOVERNOR SYSTEM

10

G

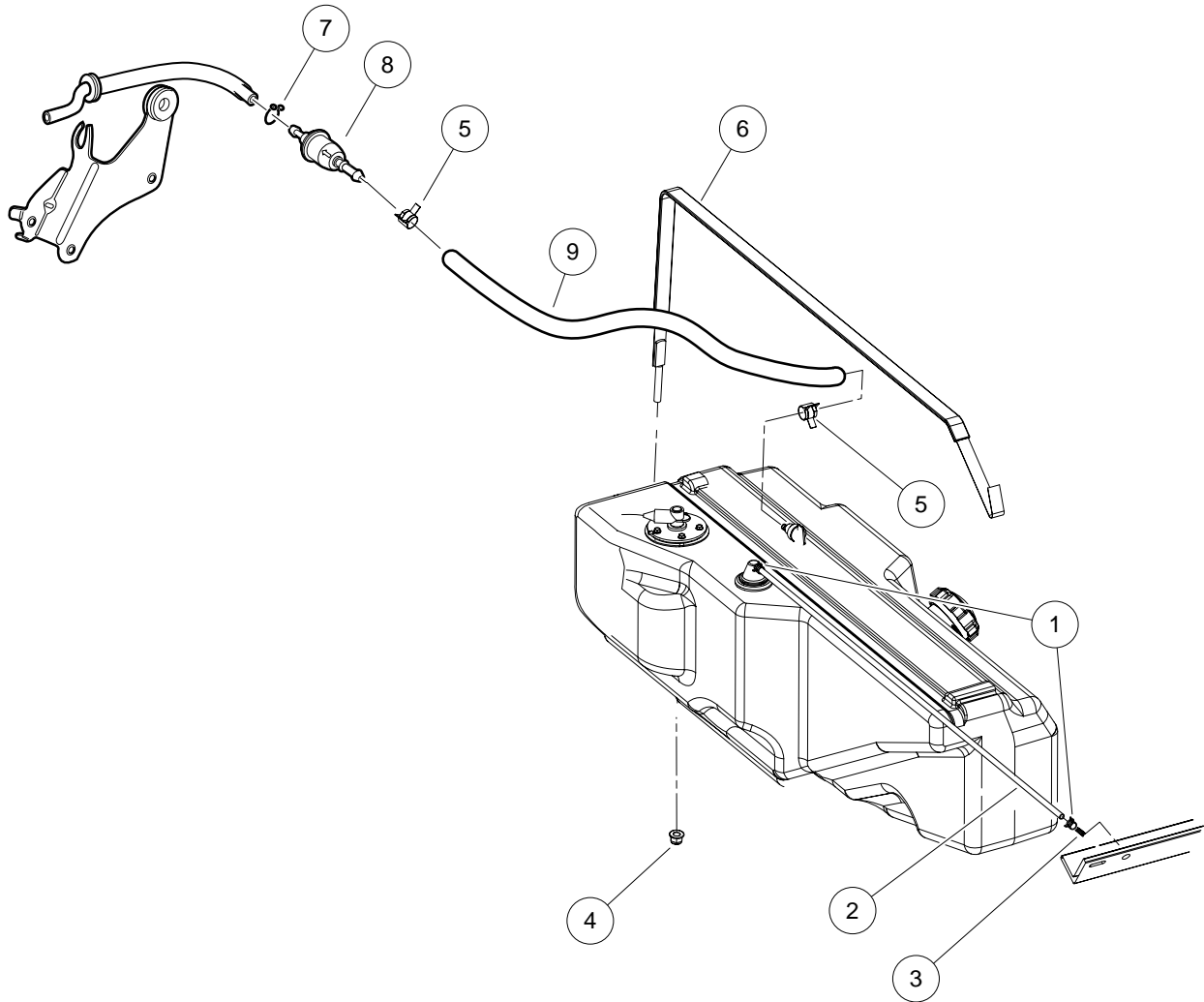
D

10

G

GASOLINE VEHICLE

D



000081-002

FUEL SYSTEM – GASOLINE VEHICLES

ITEM	PART NO.	DESCRIPTION	QTY
		1 2 3 4	
1	603 00 01-85	Clamp, 0.301 ID Hose	2
2	603 00 04-65	Hose, Fuel, Vent, 22" Long	1
3	603 00 05-03	Vent Barb	1
4	603 00 12-98	Nut,m8,all Metal Lock	1
5	603 00 09-68	Clamp, Hose, Ctb 13mm	2
6	603 00 10-00	Strap, Tank, Fuel	1
7	603 00 14-81	Clip, Tube, B10	1
8	603 00 00-37	Filter, Fuel	1
9	603 00 38-04	Hose, Tank To Filter, Fh680d	1

10

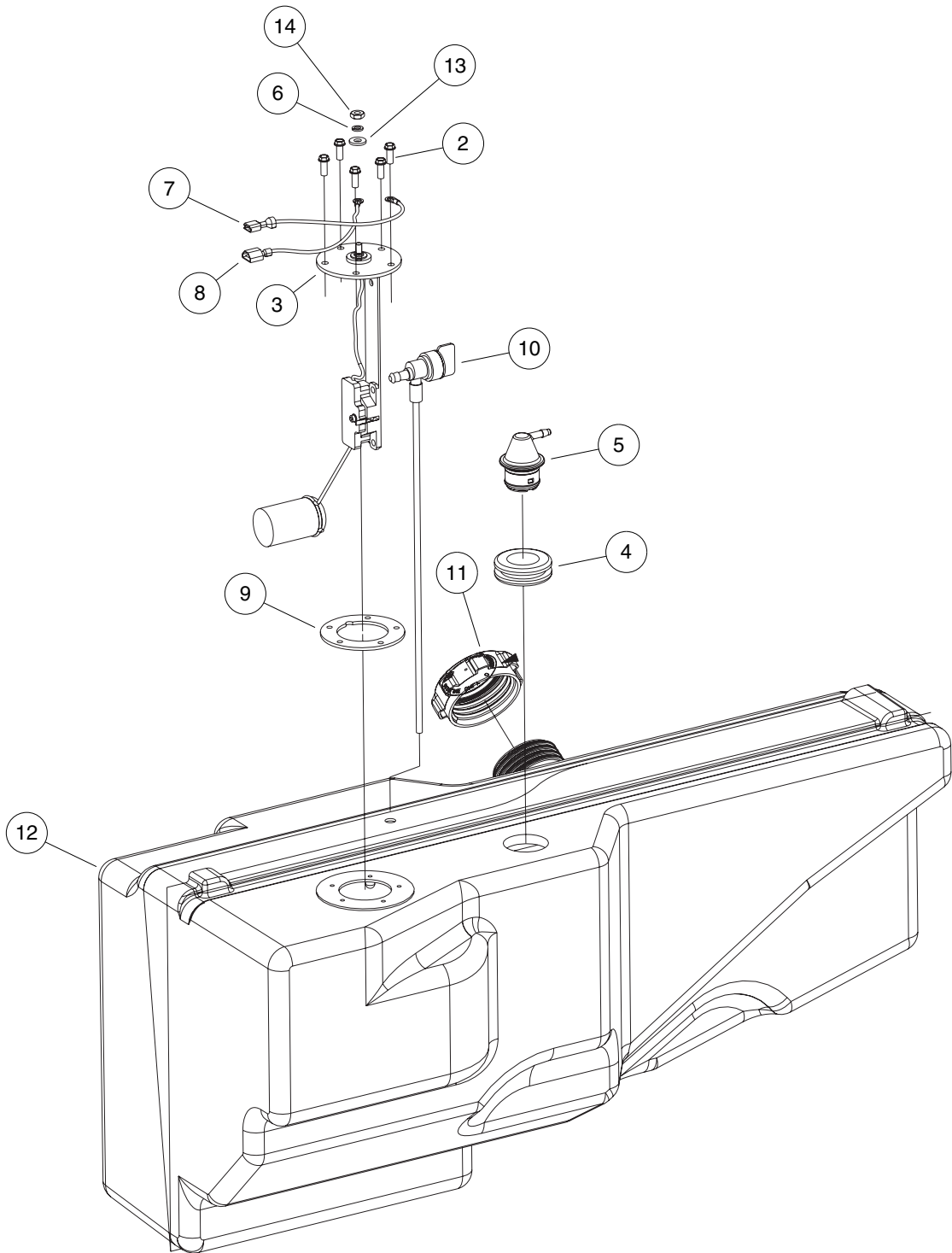
G

D

10

G

D



000082-004

FUEL TANK – GASOLINE VEHICLES

ITEM	PART NO.	DESCRIPTION	QTY
		1 2 3 4	
1	603 00 09-50	Asm, Tank, Fuel, Gas, 4x4 (includes items 2 through 14)	1
2	603 00 01-73	Screw, #10-16 Hex-Head Hi-Lo	5
3	603 00 01-74	Sending Unit, Fuel Level *	1
4	603 00 02-41	Insulation Grommet	1
5	603 00 02-42	Vent, Fuel Tank	1
6	603 00 00-61	Washer, #10 Split Lock	1
7	N/A	Wire Asm, Blk, 170mm	1
8	N/A	Wire Asm, Org, 170mm	1
9	603 00 30-57	Gasket, Rubber	1
10	603 00 15-88	Valve, Pickup Tube, Fuel	1
11	531 30 95-43	Cap, Fuel Tank, Gasoline	1
12	N/A	Tank, Fuel, Gas, 4x4	1
13	603 00 00-51	Washer, #10 Type A Flat	1
14	603 00 00-97	Nut, #10-32 Brass Hex	1
* Note: Must replace fuel sending unit gasket when servicing this component. p/n 603 00 30-57			

10

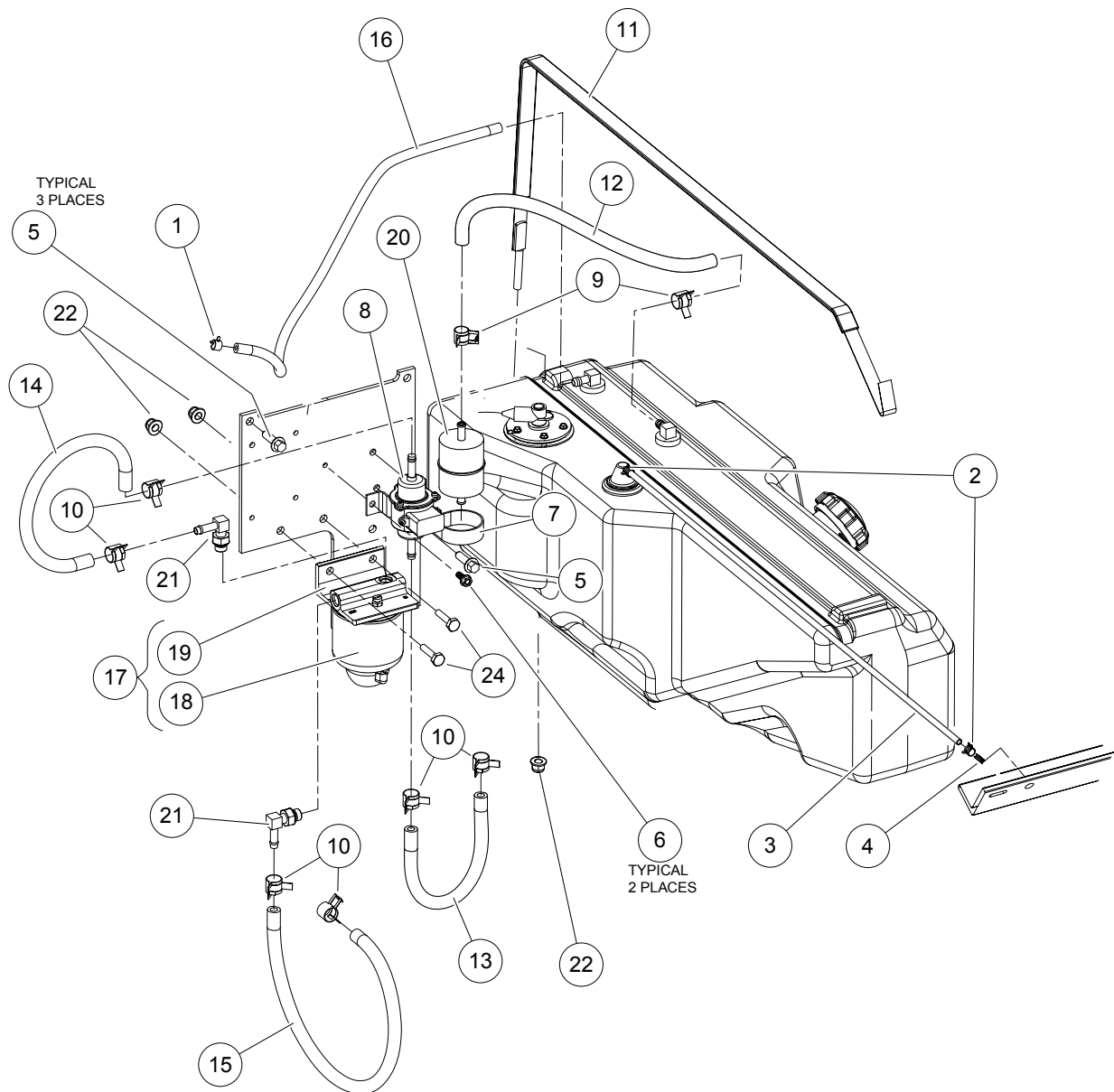
G

D

10
G

DIESEL VEHICLE

D



000081-001

FUEL SYSTEM – DIESEL VEHICLES

ITEM	PART NO.	DESCRIPTION	QTY
		1 2 3 4	
1	603 00 04-57	Clamp, Green Hose	1
2	603 00 01-85	Clamp, 0.301 ID Hose	2
3	603 00 04-65	Hose, Fuel, Vent, 22" Long	1
4	603 00 05-03	Vent Barb	1
5	603 00 08-69	Screw, M8X1.25X30, Hex	5
6	603 00 08-74	Screw, M6 X 16 Tt Hx Fl Hd	1
7	603 00 09-65	P-Clamp, Insulated 1.75 In	1
8	603 00 09-67	Pump, Diesel Fuel Electric	1
9	603 00 09-68	Clamp, Hose, Ctb 13mm	2
10	603 00 09-69	Clamp, Hose, Ctb 14mm	6
11	603 00 10-00	Strap, Tank, Fuel	1
12	603 00 10-05	Hose, Tank To Prefilter Diesel	1
13	603 00 10-06	Hose, Fuel Prefilter To Pump	1
14	603 00 10-07	Hose, Fuel Pump To Filter	1
15	603 00 10-08	Hose, Fuel Filter To Eng	1
16	603 00 10-09	Hose, Fuel Return	1
17	603 00 16-80	Filter Assy, Fuel	1
18	-----	Comes with Key # 17	1
19	603 00 10-15	Adapter, 90, 5/16 Tube	2
20	603 00 00-42	Filter, fuel	1
21	603 00 16-67	Plate, Fuel/Oil System	1
22	603 00 13-08	Lock nut, Flg M8 x 1.25 Nylon	3
24	603 00 04-43	Bolt, M8 x 1.25 x 30	3

10

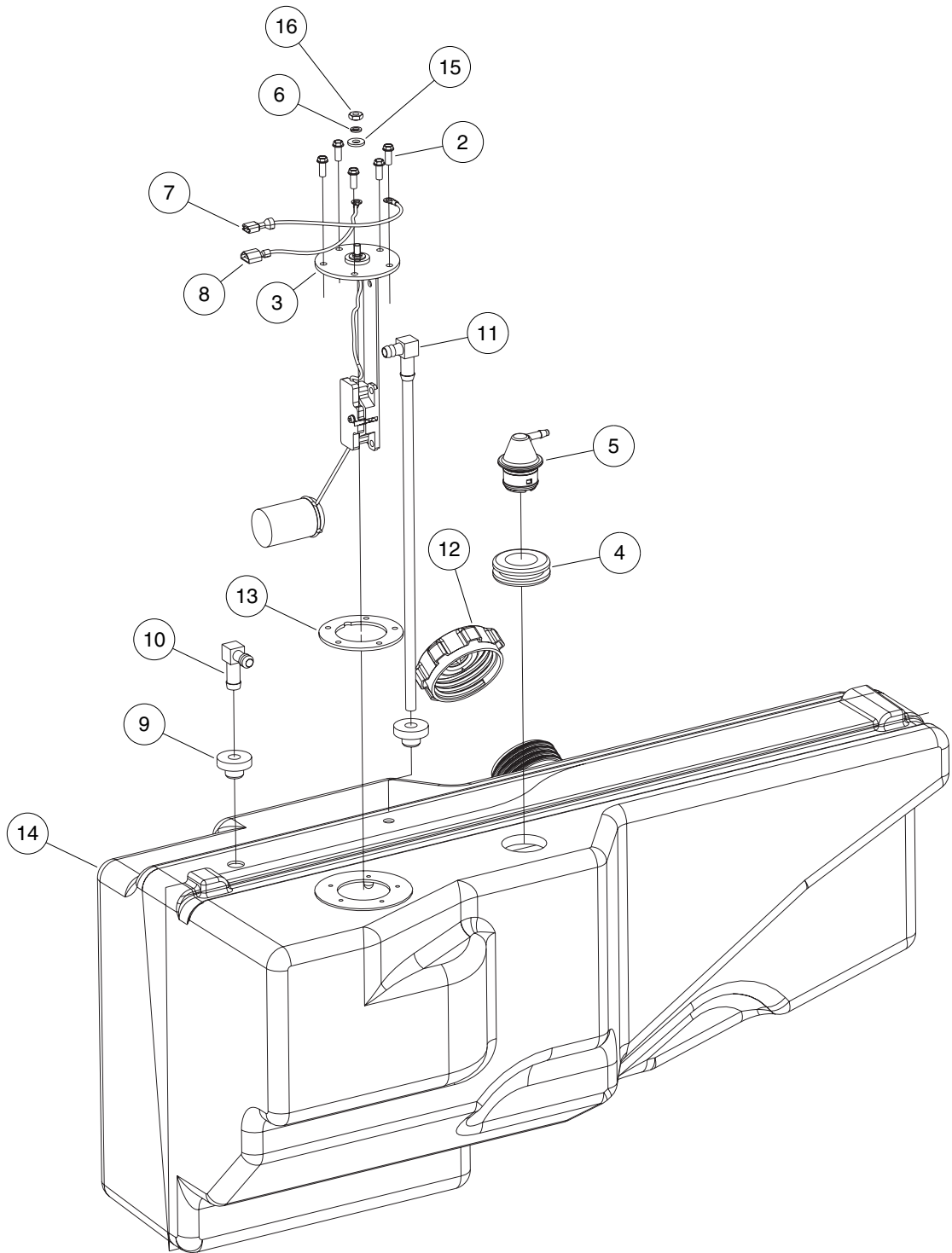
G

D

10

G

D



000082-005

FUEL TANK – DIESEL VEHICLES

ITEM	PART NO.	DESCRIPTION	QTY
		1 2 3 4	
1	603 00 09-49	Asm, Tank, Fuel, Diesel, 4x4 (includes items 2 through 16)	1
2	603 00 01-73	Screw, #10-16 Hex-Head Hi-Lo	5
3	****	Sending Unit, Fuel Level *	1
4	603 00 02-41	Insulation Grommet	1
5	603 00 02-42	Vent, Fuel Tank	1
6	603 00 00-61	Washer, #10 Split Lock	1
7	N/A	Wire Asm, Blk, 170mm	1
8	N/A	Wire Asm, Org, 170mm	1
9	603 00 09-51	Bushing, Line, Return	2
10	603 00 09-52	Elbow, 90 Barbed	1
11	603 00 11-52	Pickup Tube, Fuel	1
12	603 00 11-87	Cap, Fuel (Diesel)	1
13	603 00 30-57	Gasket, Rubber	1
14	N/A	Tank, Fuel, Diesel, 4x4	1
15	603 00 00-51	Washer, #10 Type A Flat	1
16	603 00 00-97	Nut, #10-32 Brass Hex	1
<p>**** Special order item available upon request.</p> <p>* Note: Must replace fuel sending unit gasket when servicing this component.</p>			

10

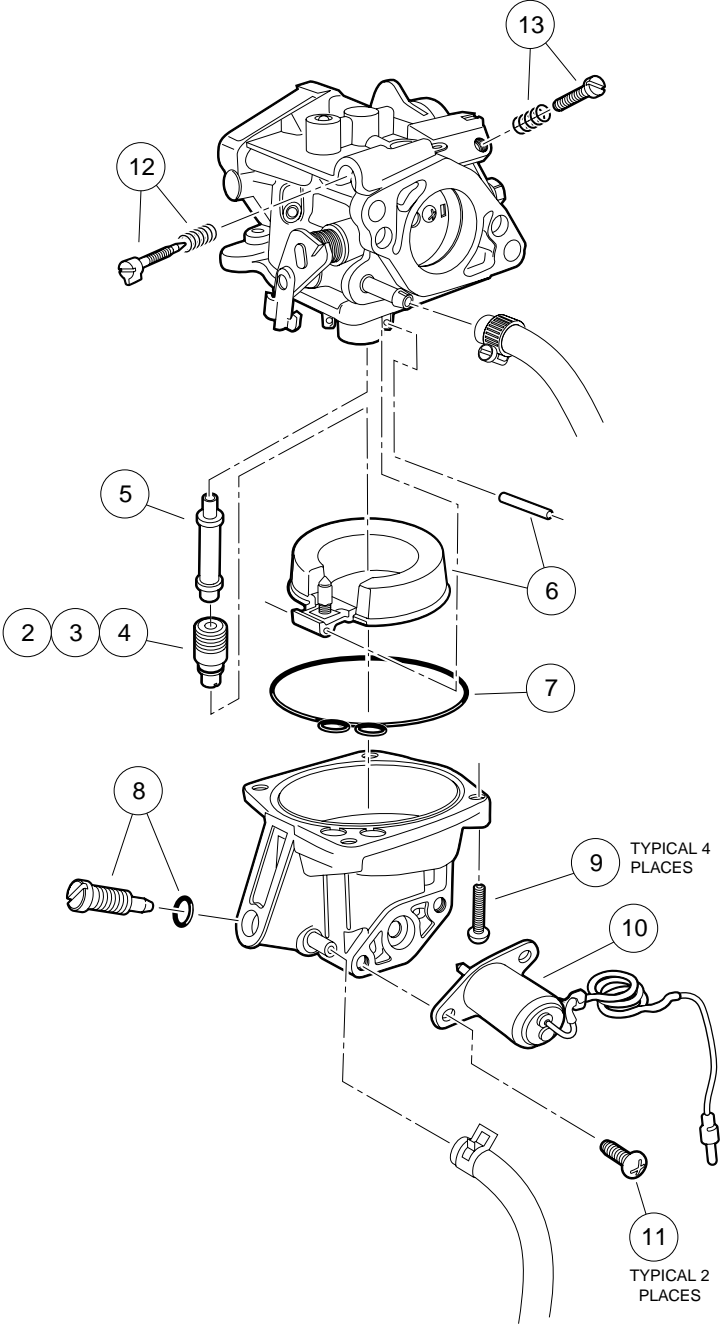
G

D

10
G

HONDA GASOLINE VEHICLE

D



000020-001

CARBURETOR ASSEMBLY, HONDA GASOLINE VEHICLES

ITEM	PART NO.	DESCRIPTION	QTY
		1 2 3 4	
1	603 00 14-61	Carburetor, Seal Shaft (includes items 2 through 13)	1
2	603 00 13-19	Jet, GX620, #102 (8000 ft. and higher (2438 m and higher))	1
3	603 00 13-20	Jet, GX620, #105 (5000-8000 ft. (1524-2438 m))	1
4	603 00 13-21	Jet, GX620, #108 (0-5000 ft. (0-1524 m))	1
5	603 00 14-63	Nozzle, Main	1
6	603 00 14-64	Float Set	1
7	603 00 14-65	Gasket Set	1
8	603 00 14-66	Screw Set, Drain	1
9	603 00 14-67	Screw-Washer, M4 X 14	4
10	603 00 14-68	Valve Assy., Solenoid	1
11	603 00 14-69	Screw-Washer, M5 X 12	2
12	603 00 16-88	Screw Set, Left	1
13	603 00 16-89	Screw Set, Right	1

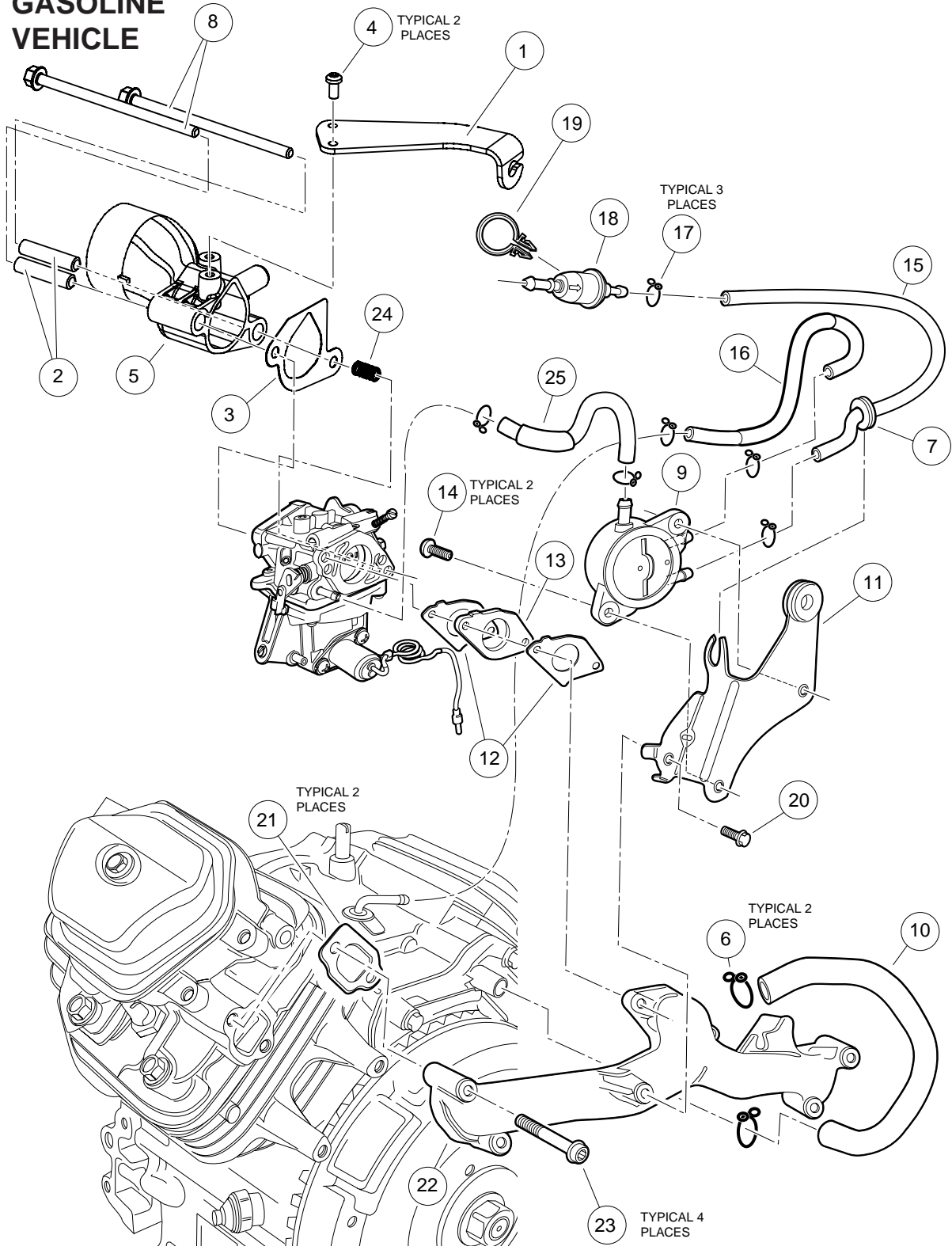
10
G
D

10

G

D

GASOLINE VEHICLE



000021-001

CARBURETOR INSTALLATION – HONDA GASOLINE VEHICLES

ITEM	PART NO.	DESCRIPTION	QTY
		1 2 3 4	
1	603 00 09-40	Bracket, Choke Cable	1
2	603 00 11-15	Insert, Adapter, Carburetor	2
3	603 00 11-82	Gasket, Adapter, Carburetor	1
4	603 00 13-01	Screw Tapping, M5 X 0.8x10	2
5	603 00 13-13	Adapter, Intake Honda GX620	1
6	603 00 14-70	Clip, Breather Tube	1
7	603 00 14-71	Grommet, Reserve Tank	1
8	603 00 14-72	Bolt, Flange Head, M6 X 1 X 120	2
9	603 00 14-73	Pump Assy., Fuel, Sup	1
10	603 00 14-74	Tube, Breather	1
11	603 00 14-75	Stay, Fuel Pump	1
12	603 00 14-76	Gasket, Carburetor	2
13	603 00 14-77	Insulator, Carburetor	1
14	603 00 14-78	Srew-Washer, M6 X 16	2
15	603 00 14-79	Tube B, Fuel	1
16	603 00 14-80	Tube, Diaphragm	1
17	603 00 14-81	Clip, Tube, B10	3
18	603 00 00-37	Filter, Fuel	1
19	603 00 14-82	Clip, Wire Harness	1
20	603 00 14-83	Bolt, Flange Head, M6 X 11 X 4	2
21	603 00 14-84	Gasket, Intake Manifold	2
22	603 00 14-85	Manifold, Inlet	1
23	603 00 14-86	Bolt, Socket, M8 X 1.25 X 45	4
24	603 00 16-68	Spring, Continuity, Solenoid	1
25	603 00 16-97	Tube A, Fuel	1

10

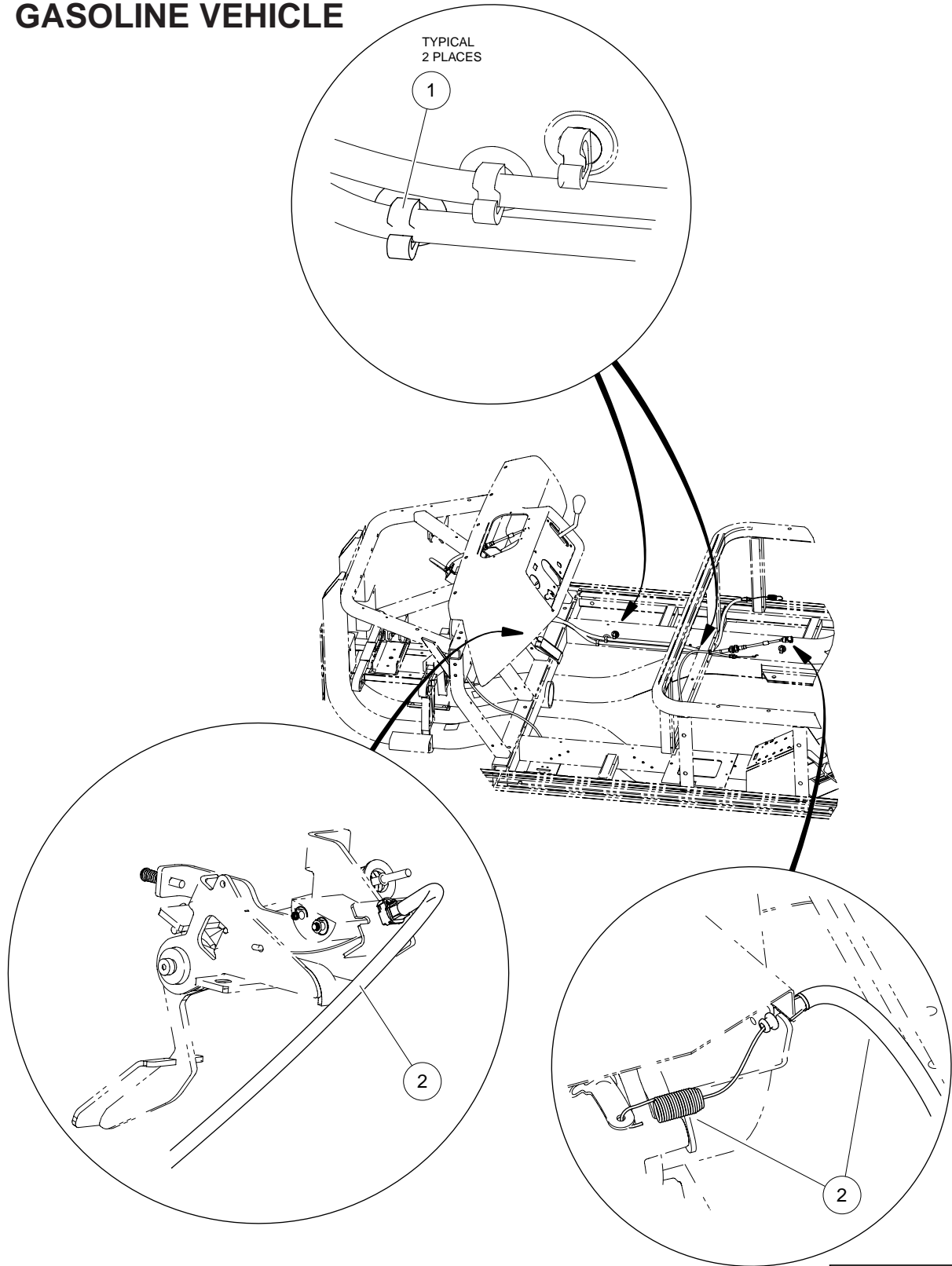
G

D

10
G

GASOLINE VEHICLE

D



000033-001

GOVERNOR AND ACCELERATOR CABLES, GASOLINE VEHICLES

ITEM	PART NO.	DESCRIPTION	QTY
		1 2 3 4	
1	603 00 11-43	Clip, Brake Line	2
2	603 00 11-92	Cable, Accelerator, GX620	1

10

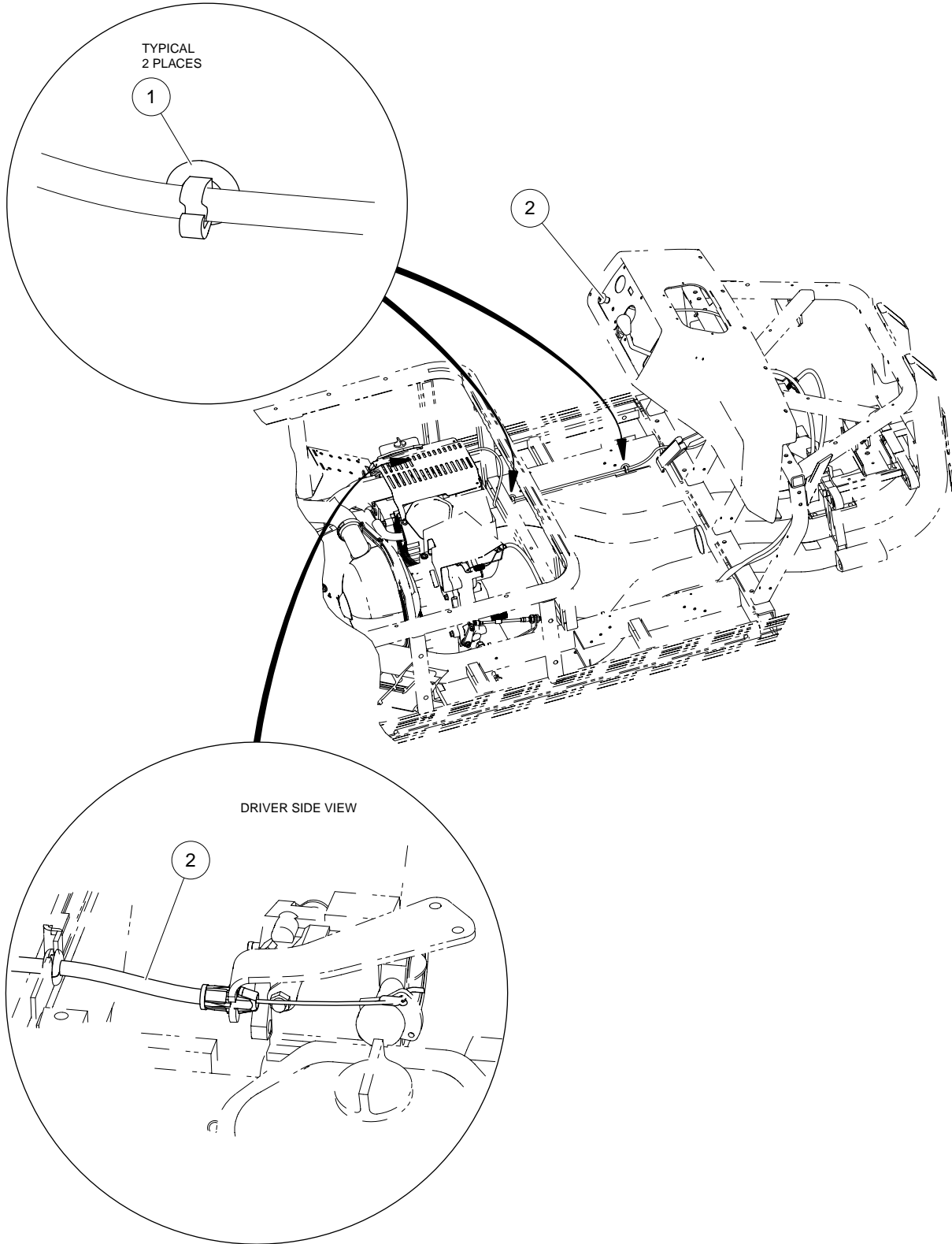
G

D

10
G

D

GASOLINE VEHICLE



000034-001

CHOKE CABLE, GASOLINE VEHICLES

ITEM	PART NO.	DESCRIPTION	QTY
		1 2 3 4	
1	603 00 11-43	Clip, Brake Line	2
2	603 00 09-19	Cable, Choke	1

10

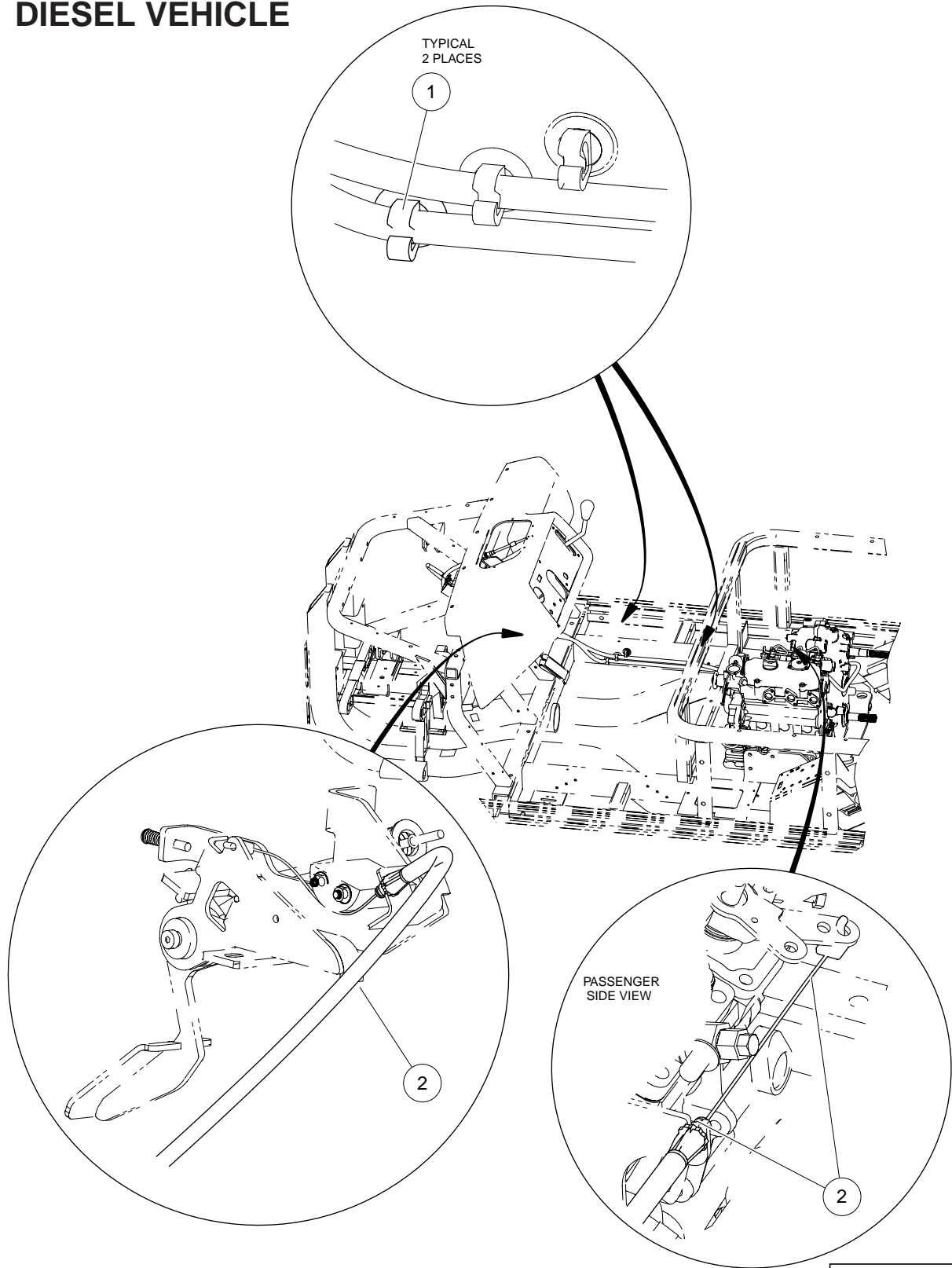
G

D

10
G

DIESEL VEHICLE

D



000035-001

ACCELERATOR CABLE, DIESEL VEHICLES

ITEM	PART NO.	DESCRIPTION	QTY
		1 2 3 4	
1	603 00 11-43	Clip, Brake Line	2
2	603 00 11-93	Cable, Accelerator, Diesel	1

10

G

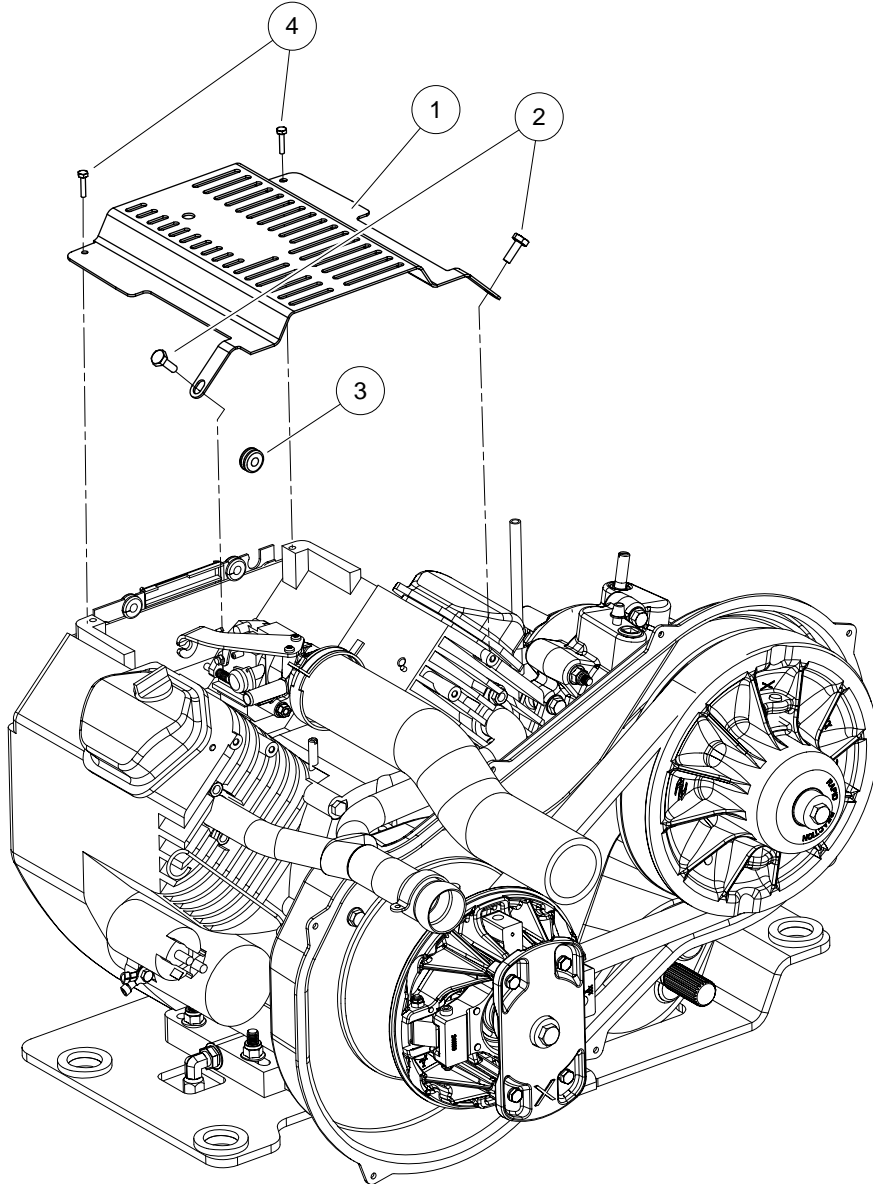
D

10

G

GASOLINE VEHICLE

D



000085-001

GOVERNOR COVER – GASOLINE VEHICLES

ITEM	PART NO.	DESCRIPTION	QTY
		1 2 3 4	
1	603 00 10-74	Cover, Engine, Honda	1
2	603 00 11-90	Bolt, M8 X 1.25 X 20	2
3	603 00 16-66	Grommet, Split, 50 Durometer	2
4	603 00 04-44	Bolt, M5 X .8 X 20	2

10

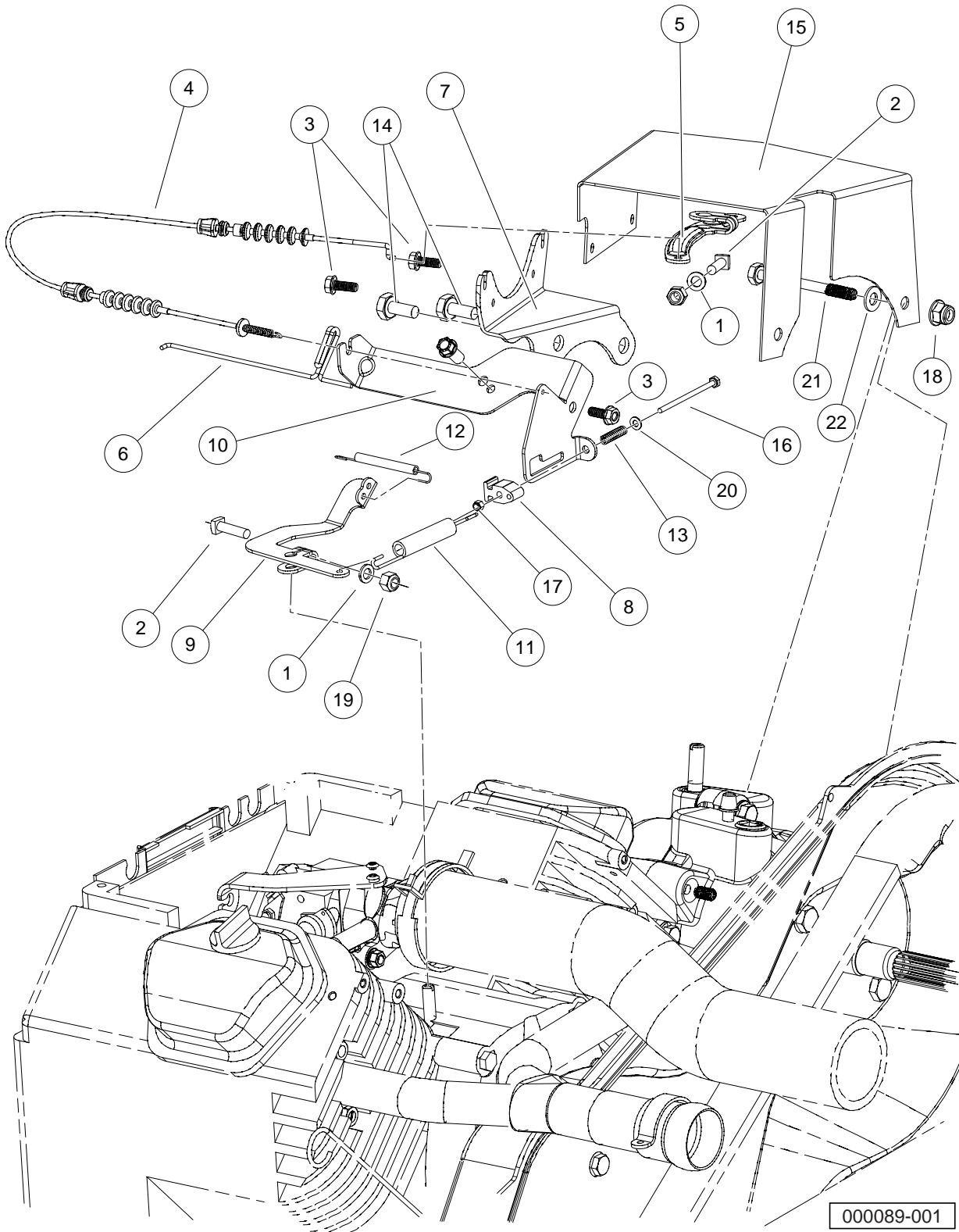
G

D

10
G

GASOLINE VEHICLE

D



GOVERNOR SYSTEM – GASOLINE VEHICLES

ITEM	PART NO.	DESCRIPTION	QTY
		1 2 3 4	
1	603 00 01-94	Washer, 1/4 Flat	2
2	603 00 05-57	Screw, 1/4-20 X 1.00 Square-Head	2
3	603 00 08-74	Screw, M6 X 16 Tt Hx Fl Hd	3
4	603 00 09-97	Cable, Engine Governor	1
5	603 00 10-12	Bracket, Governor, Arm, Trans	1
6	603 00 10-13	Wire, Governor	1
7	603 00 10-75	Bracket, Governor, Trans Cable	1
8	603 00 10-77	Adjuster, Spring, Idle	1
9	603 00 10-88	Bracket, Arm, Gov, Engine	1
10	603 00 10-89	Bracket, Cable, Gov, Engine	1
11	603 00 10-94	Spring	1
12	603 00 10-95	Spring, Carb	1
13	603 00 10-96	Spring, Compression, Adj, Idle	1
14	603 00 11-65	Bolt, M10 X 1.5 X 20 Loctite	2
15	603 00 11-94	Guard, Governor, Ground Speed	1
16	603 00 12-96	Bolt, M4 X .7 X 60	1
17	603 00 12-97	Nut Flg, M4 X 0.7 Mech Def	1
18	603 00 13-08	Lock Nut, Flg M8 X 1.25 Nylon	1
19	603 00 00-89	Locknut, 1/4-20 Nylon Insert	2
20	603 00 04-47	Washer, M4	1
21	603 00 04-49	Bolt, M8 X 1.25 X 80	1
22	603 00 04-50	Washer, M8 Hard	1

10

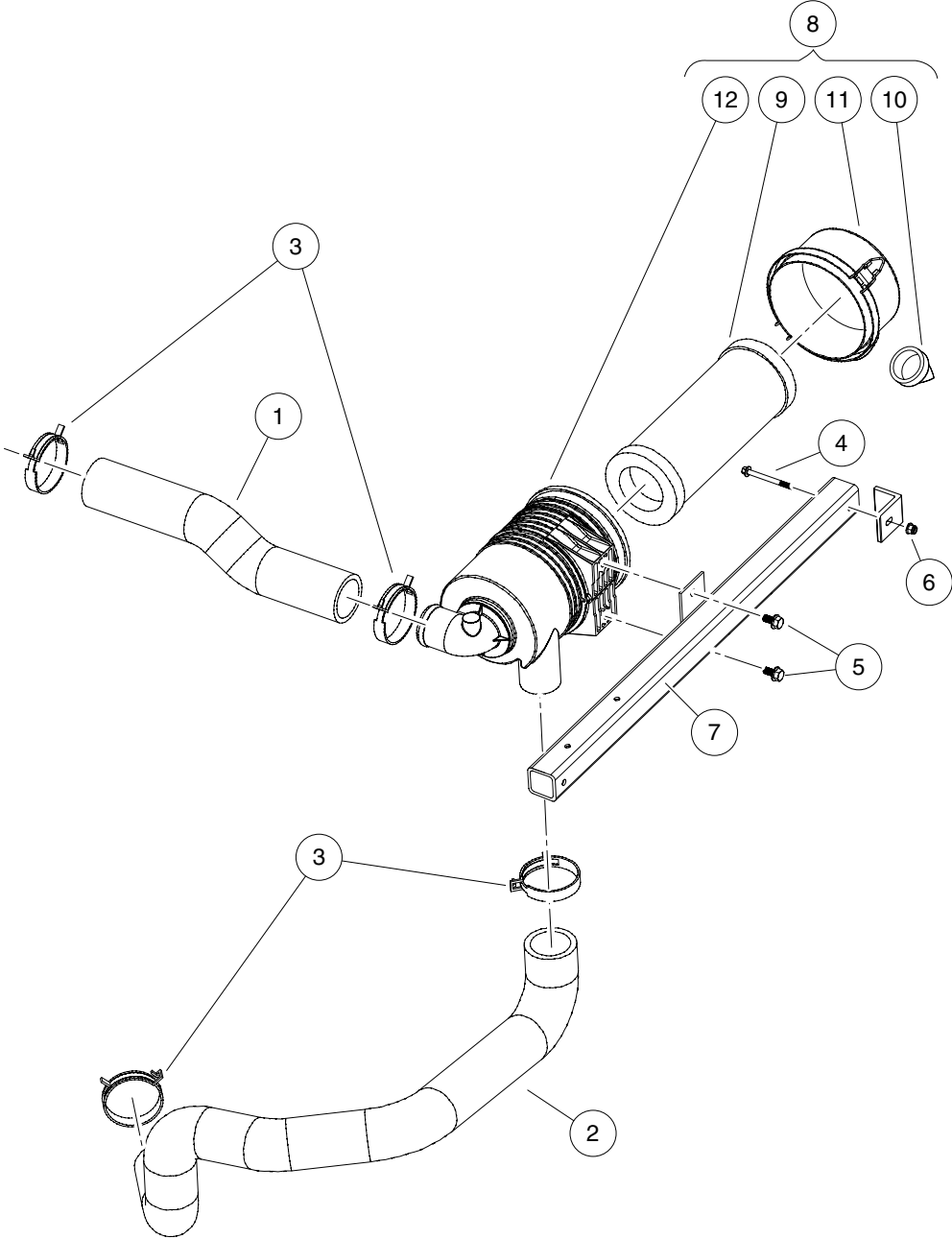
G

D

10
G

GASOLINE VEHICLE

D



000090-001

INTAKE DUCT AND AIR BOX ASSEMBLY – HONDA GASOLINE VEHICLES

ITEM	PART NO.	DESCRIPTION	QTY
		1 2 3 4	
1	603 00 09-31	Hose, Intake, GX620	1
2	603 00 09-43	Hose, Intake, Primary	1
3	603 00 09-76	Clamp, Hose, Ctb 64mm	4
4	603 00 11-98	Bolt, M 6 X 1.0 X 65 Hex, Flange, Head, Black	2
5	603 00 13-15	Bolt Flanged Head, M8 X1.25x 16 with Loctite	2
6	603 00 13-17	Nut Flg, M6 X 1.0 Nylon	2
7	N/A	Weldment, Support, Air Cleaner	1
8	603 00 09-33	Filter, Air, Canister, W/labe (includes items 9 through 12)	1
9	603 00 00-10	Element, Filter, Air, 5 In	1
10	603 00 16-98	Valve, Evacuator, Filter Air	1
11	603 00 16-99	Cap, Latch Lock, Filter, Air	1
12	N/A	Body, Canister, Filter, Air	1

10

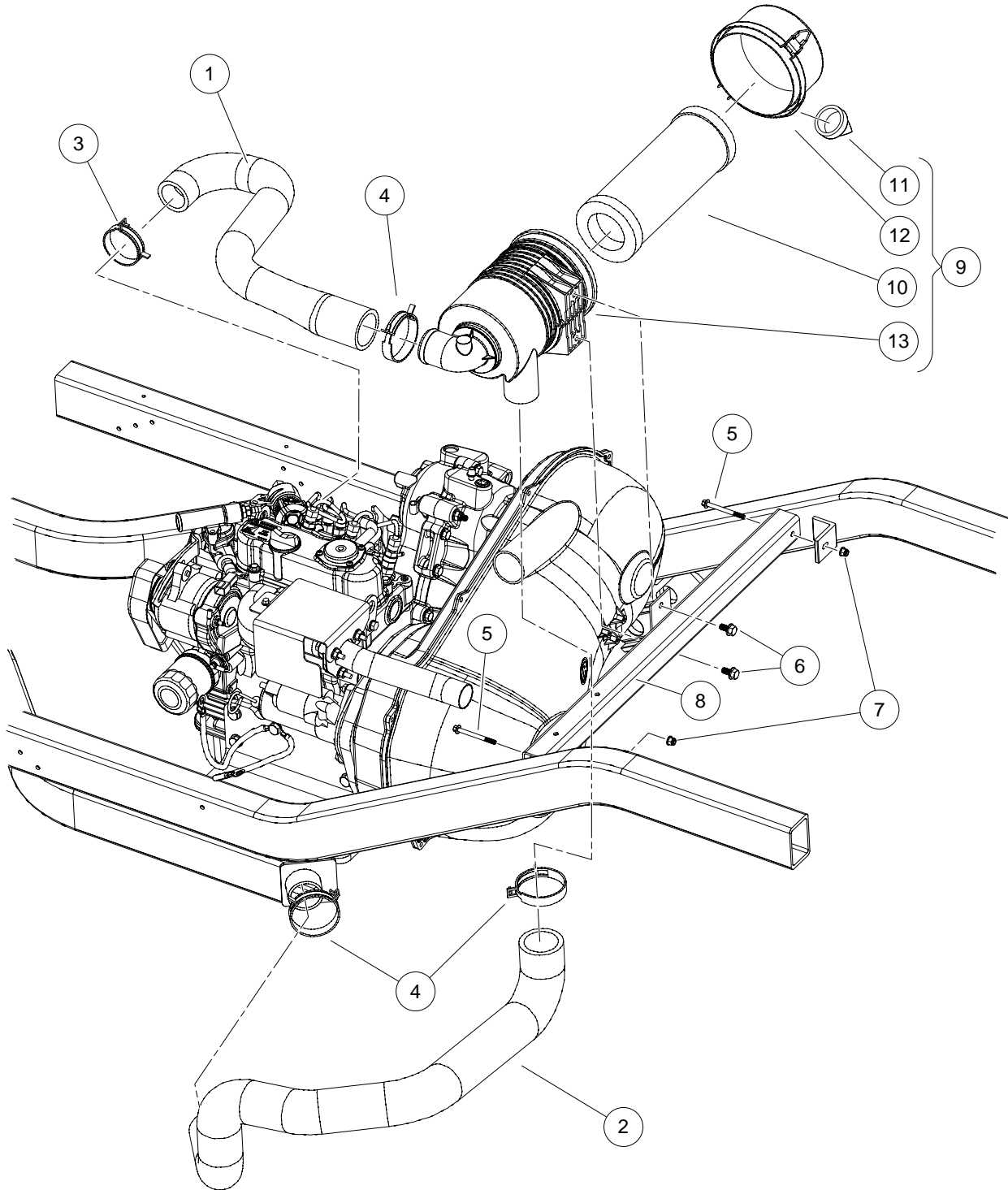
G

D

10
G

DIESEL VEHICLE

D



000090-002

INTAKE DUCT AND AIR BOX ASSEMBLY – DIESEL VEHICLES

ITEM	PART NO.	DESCRIPTION	QTY
		1 2 3 4	
1	603 00 09-32	Hose, Intake, D722	1
2	603 00 09-43	Hose, Intake, Primary	1
3	603 00 09-75	Clamp, Hose, Ctb 55mm	1
4	603 00 09-76	Clamp, Hose, Ctb 64mm	3
5	603 00 11-98	Bolt, M 6 X 1.0 X 65 Hex, Flange, Head, Black	2
6	603 00 13-15	Bolt Flanged Head, M8 X1.25x 16 with Loctite	2
7	603 00 13-17	Nut Flg, M6 X 1.0 Nylon	2
8	N/A	Weldment, Support, Air Cleaner	1
9	603 00 09-33	Filter, Air, Canister, W/labe (includes items 10 through 13)	1
10	603 00 00-10	Element, Filter, Air, 5 In	1
11	603 00 16-98	Valve, Evacuator, Filter Air	1
12	603 00 16-99	Cap, Latch Lock, Filter, Air	1
13	N/A	Body, Canister, Filter, Air	1

10

G

D

10

G

D

EXHAUST SYSTEM

11

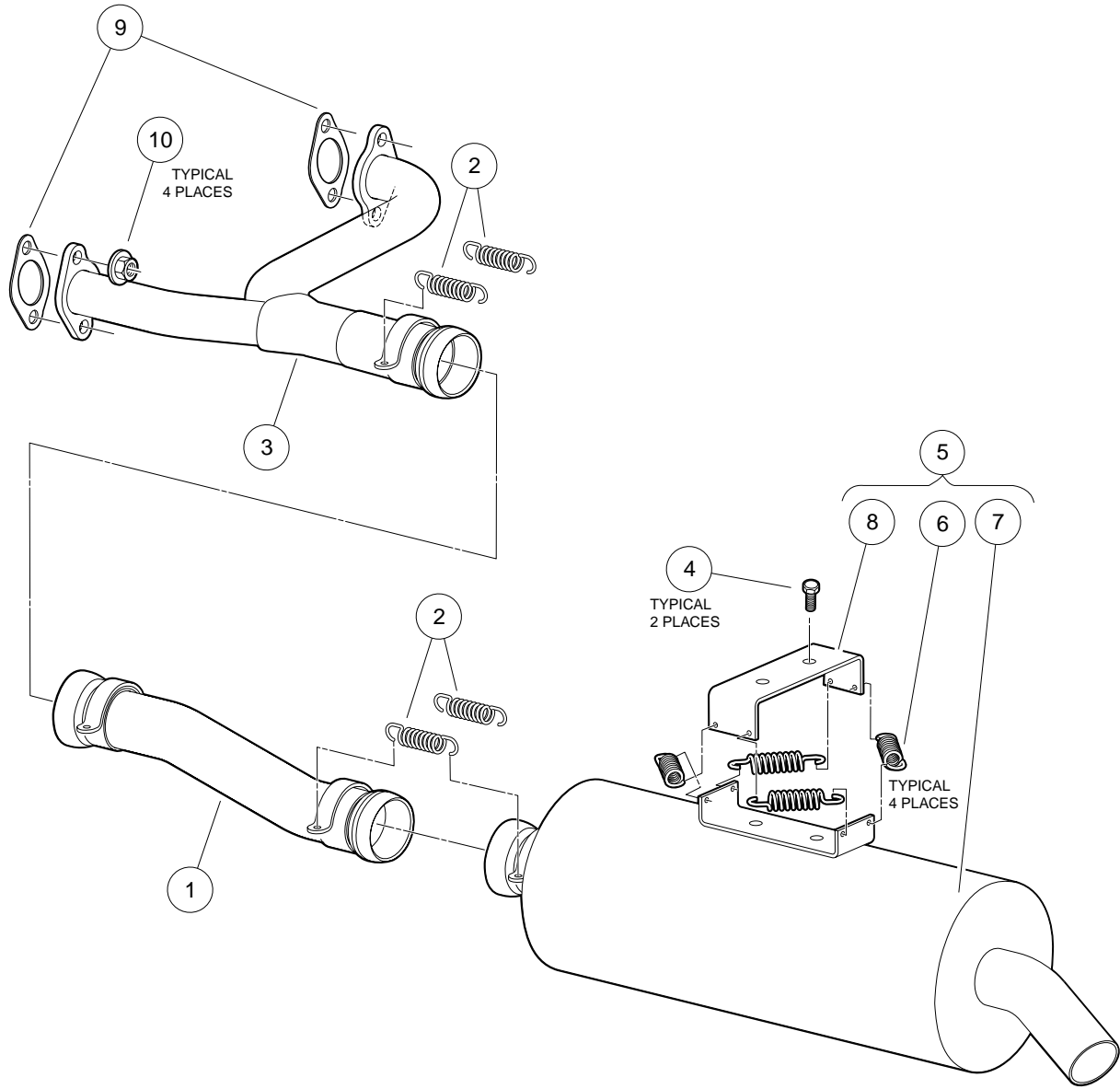
G

D

11

G

D



000075-001

EXHAUST SYSTEM, GASOLINE VEHICLES

ITEM	PART NO.	DESCRIPTION	QTY
		1 2 3 4	
1	603 00 09-59	Pipe, Exhaust Intermediate	1
2	603 00 09-60	Spring, Exhaust	4
3	603 00 09-61	Header, Exhaust, Gas	1
4	603 00 13-15	Bolt Flanged Head, M8 X1.25x 16 with Loctite	2
5	603 00 29-47	Asm, Muffler, AWD Homologation (includes items 6 through 8)	1
6	603 00 09-60	Spring, Exhaust	4
7	N/A	Muffler	1
8	N/A	Bracket, Muffler	1
9	603 00 09-62	Gasket, Exhaust, Gx620	2
10	603 00 05-12	Nut Flg, M8 X 1.25 Serrated	4

11

G

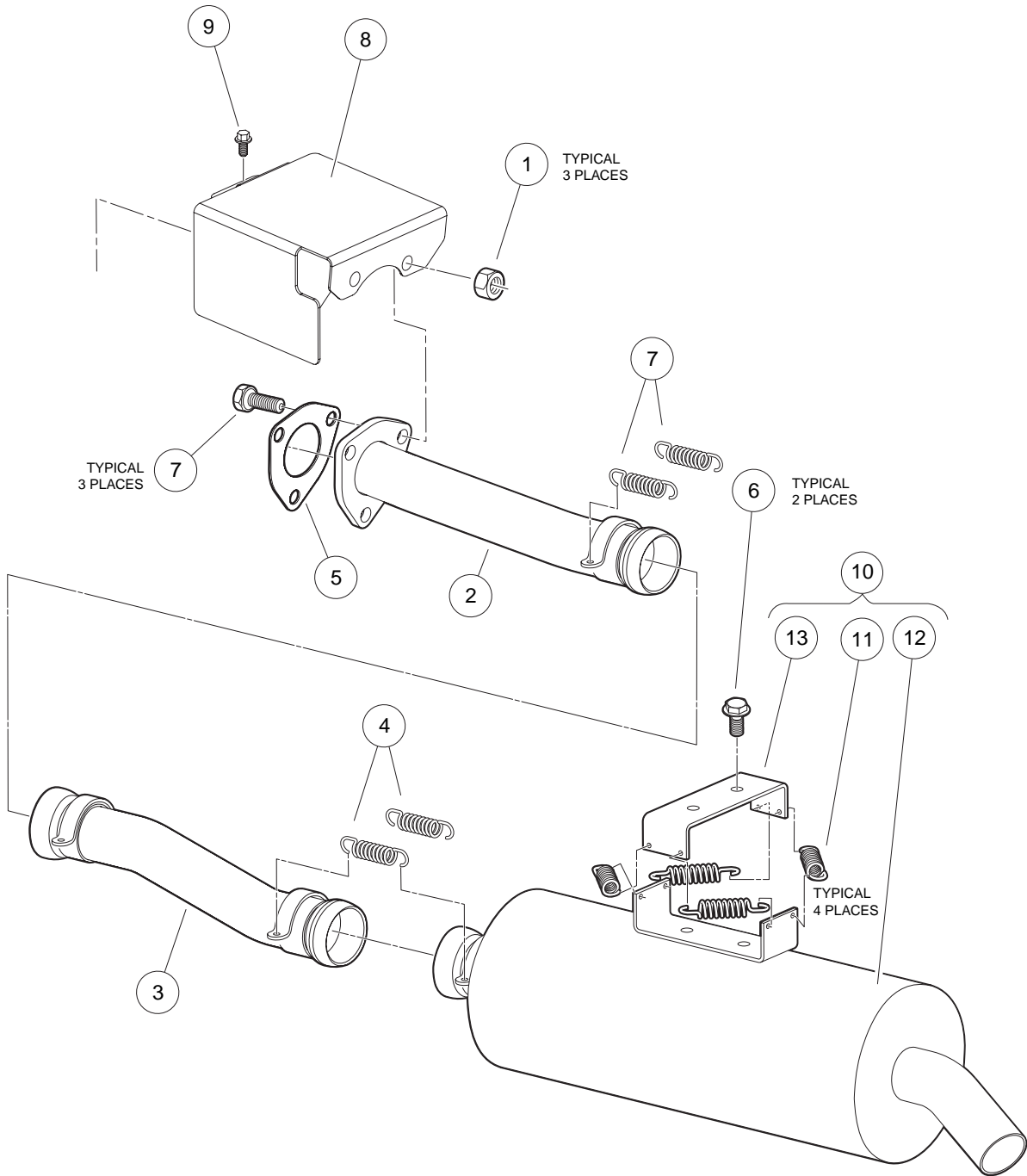
D

11

G

D

DIESEL VEHICLE



000075-002

EXHAUST SYSTEM, DIESEL VEHICLES

ITEM	PART NO.	DESCRIPTION	QTY
		1 2 3 4	
1	603 00 12-98	Nut,m8,all Metal Lock	3
2	603 00 09-58	Pipe, Exhaust Diesel Main	1
3	603 00 09-59	Pipe, Exhaust Intermediate	1
4	603 00 09-60	Spring, Exhaust	4
5	603 00 09-96	Gasket, Exhaust Diesel	1
6	603 00 13-15	Bolt Flanged Head, M8 X1.25x 16 with Loctite	2
7	603 00 13-16	Bolt, M8 X 1.25 X 40 with Loctite	3
8	603 00 13-24	Shield, Diesel Exhaust	1
9	603 00 17-53	Bolt, D722, Exhst Manfld Cover	1
10	603 00 29-47	Asm, Muffler, AWD Homologation (includes items 11 through 13)	1
11	603 00 09-60	Spring, Exhaust	4
12	N/A	Muffler	1
13	N/A	Bracket, Muffler	1

11

G

D

INDEX

Part Number and Page

531 30 07-38	12-5	603 00 01-00	15-11	603 00 04-43	9-15, 10-7
531 30 10-26	1-21	603 00 01-06	1-15	603 00 04-44	10-21
531 30 71-07	5-9	603 00 01-07	1-13, 1-17	603 00 04-45	5-3
531 30 71-09	4-13	603 00 01-08	1-17	603 00 04-46	9-13
531 30 71-10	5-9	603 00 01-09	4-11, 4-13	603 00 04-47	10-23
531 30 71-13	5-9	603 00 01-16	7-23, 7-25	603 00 04-48	1-3, 1-5, 1-7
531 30 73-75	5-7, 5-9	603 00 01-19	13-19	603 00 04-49	8-3, 9-3, 10-23
531 30 81-39	12-9, 12-11	603 00 01-23	3-3, 3-7	603 00 04-50	8-3, 9-3, 10-23, 14-3
531 30 81-40	12-9, 12-11	603 00 01-25	1-9	603 00 04-51	8-3, 9-3
531 30 82-51	1-9	603 00 01-30	4-11, 4-13	603 00 04-52	1-11
531 30 82-56	9-3	603 00 01-35	7-15, 7-17	603 00 04-53	14-7
531 30 95-43	10-5	603 00 01-36	1-13	603 00 04-54	4-7
531 30 95-44	13-3	603 00 01-41	4-11	603 00 04-55	4-11
531 30 95-70	13-15	603 00 01-57	1-19, 8-3, 9-3, 13-19	603 00 04-57	10-7
603 00 00-01	15-7	603 00 01-66	6-5	603 00 04-58	1-19
603 00 00-02	7-23, 7-25	603 00 01-67	6-5	603 00 04-62	3-5
603 00 00-03	15-3	603 00 01-68	6-5	603 00 04-63	3-3, 3-7
603 00 00-05	15-9	603 00 01-69	6-5	603 00 04-65	10-3, 10-7
603 00 00-06	9-15	603 00 01-70	6-5	603 00 04-66	3-3, 3-7
603 00 00-10	10-25, 10-27	603 00 01-72	1-17	603 00 04-93	7-19, 7-21
603 00 00-26	1-21	603 00 01-73	10-5, 10-9	603 00 05-03	10-3, 10-7
603 00 00-30	2-5	603 00 01-75	4-11, 4-13	603 00 05-12	11-3, 14-3
603 00 00-31	2-5	603 00 01-84	1-9	603 00 05-13	8-3
603 00 00-32	2-3, 2-5	603 00 01-85	10-3, 10-7	603 00 05-14	8-3
603 00 00-33	2-3, 2-5	603 00 01-91	7-19, 7-21	603 00 05-26	12-5
603 00 00-34	2-3, 2-5	603 00 01-94	10-23	603 00 05-49	6-5
603 00 00-35	15-9	603 00 02-22	1-3, 1-5, 1-17, 1-19, 4-7	603 00 05-50	6-5
603 00 00-37	10-3, 10-13	603 00 02-23	1-19	603 00 05-51	6-5
603 00 00-38	15-11	603 00 02-24	7-23, 7-25	603 00 05-52	6-5
603 00 00-40	15-9	603 00 02-26	1-17	603 00 05-53	6-5
603 00 00-41	8-11	603 00 02-29	1-9, 1-13, 14-3	603 00 05-57	10-23
603 00 00-42	10-7	603 00 02-32	1-17	603 00 05-58	1-11, 4-7, 4-9
603 00 00-43	15-11	603 00 02-34	7-7, 13-11	603 00 05-73	1-17
603 00 00-45	1-21	603 00 02-36	7-7, 13-11	603 00 05-76	7-23, 7-25
603 00 00-51	4-11, 10-5, 10-9	603 00 02-41	10-5, 10-9	603 00 05-79	1-9
603 00 00-54	1-11, 1-17, 7-15, 7-17	603 00 02-42	10-5, 10-9	603 00 06-07	15-7
603 00 00-55	13-15	603 00 02-50	1-13	603 00 06-16	1-17
603 00 00-56	1-15, 1-19	603 00 02-55	1-13, 1-17	603 00 06-32	4-11, 4-13
603 00 00-58	1-9	603 00 02-63	1-13	603 00 06-36	6-5
603 00 00-61	10-5, 10-9	603 00 02-64	6-13, 6-15	603 00 06-65	2-3
603 00 00-63	4-13, 5-9	603 00 02-67	7-15, 7-17	603 00 06-67	2-3
603 00 00-64	7-15, 7-17	603 00 02-72	7-19, 7-21	603 00 06-70	2-3
603 00 00-65	4-11, 7-23, 7-25	603 00 02-81	6-11	603 00 06-71	2-3
603 00 00-78	1-13, 1-17, 7-23, 7-25	603 00 03-65	1-15	603 00 06-72	2-5
603 00 00-80	1-13, 1-19	603 00 03-66	7-19, 7-21	603 00 06-74	1-3, 1-5
603 00 00-86	7-7, 13-11	603 00 03-71	7-7, 13-11	603 00 06-76	1-3, 1-5
603 00 00-87	7-7, 13-11	603 00 03-76	7-7, 13-11	603 00 06-78	1-3, 1-5
603 00 00-89	1-17, 10-23	603 00 03-79	1-7	603 00 06-82	6-5
603 00 00-91	1-19	603 00 03-84	1-15	603 00 06-84	6-5, 6-7, 13-3
603 00 00-93	4-9, 4-11, 4-13	603 00 03-85	1-15	603 00 06-89	1-9
603 00 00-94	7-7, 13-11	603 00 04-34	1-15	603 00 06-93	1-19
603 00 00-95	1-13, 1-15, 6-11, 13-15	603 00 04-36	13-9	603 00 06-94	1-19
603 00 00-96	1-13, 1-15	603 00 04-37	8-3, 9-3	603 00 06-95	1-3, 1-5, 1-9, 7-19, 7-21
603 00 00-97	10-5, 10-9	603 00 04-40	8-3, 9-3	603 00 07-01	4-11
		603 00 04-41	9-3	603 00 07-27	7-19
		603 00 04-42	14-3	603 00 07-28	7-19

INDEX

603 00 07-29	1-3, 1-5	603 00 09-11	9-15	603 00 09-71	14-5, 14-7
603 00 07-36	1-9	603 00 09-12	13-9	603 00 09-72	14-7
603 00 07-37	1-3, 1-5	603 00 09-13	13-5	603 00 09-73	14-3, 14-7
603 00 07-59	4-7	603 00 09-15	13-9	603 00 09-74	14-3, 14-7
603 00 07-60	7-19	603 00 09-17	13-3	603 00 09-75	10-27
603 00 07-61	7-19	603 00 09-18	12-7	603 00 09-76	10-25, 10-27, 12-3, 12-5
603 00 07-62	7-19, 7-21	603 00 09-19	10-17	603 00 09-77	14-3
603 00 07-66	4-11, 4-13	603 00 09-20	7-19	603 00 09-78	14-5
603 00 07-73	1-11	603 00 09-21	7-21	603 00 09-79	14-5
603 00 07-74	1-9	603 00 09-22	7-21	603 00 09-80	14-5
603 00 07-77	1-9	603 00 09-23	7-7, 13-11	603 00 09-82	12-9
603 00 07-80	1-13	603 00 09-24	7-7, 13-11	603 00 09-83	12-3, 12-5
603 00 07-81	1-13, 1-15	603 00 09-25	13-3	603 00 09-84	8-3
603 00 07-97	1-13	603 00 09-26	13-21	603 00 09-85	8-3
603 00 07-98	4-7	603 00 09-27	14-7	603 00 09-86	9-3
603 00 08-01	7-19, 7-21	603 00 09-28	14-7	603 00 09-87	1-11
603 00 08-02	1-17	603 00 09-29	14-3	603 00 09-88	1-11
603 00 08-03	1-17	603 00 09-30	14-3	603 00 09-89	1-3, 1-5, 1-11
603 00 08-04	1-17	603 00 09-31	10-25	603 00 09-90	1-11
603 00 08-05	1-17	603 00 09-32	10-27	603 00 09-91	1-11
603 00 08-06	1-17	603 00 09-33	10-25, 10-27	603 00 09-92	7-15, 7-17
603 00 08-07	1-17	603 00 09-34	14-3	603 00 09-93	7-15, 7-17
603 00 08-08	1-17	603 00 09-35	5-5	603 00 09-94	7-15, 7-17
603 00 08-09	1-17	603 00 09-36	13-3	603 00 09-96	8-53, 11-5
603 00 08-11	3-3	603 00 09-37	8-3, 9-3, 13-19	603 00 09-97	10-23
603 00 08-13	1-17	603 00 09-38	12-9, 12-11	603 00 09-98	1-9
603 00 08-14	3-5, 3-9	603 00 09-39	12-13	603 00 09-99	1-9
603 00 08-16	1-17	603 00 09-40	10-13	603 00 10-00	10-3, 10-7
603 00 08-66	13-3	603 00 09-41	6-13, 6-15	603 00 10-01	1-15
603 00 08-67	13-21	603 00 09-43	10-25, 10-27	603 00 10-02	14-5
603 00 08-69	1-7, 9-15, 10-7, 14-3, 14-5	603 00 09-44	6-13, 6-15	603 00 10-03	14-7
603 00 08-70	1-3, 1-5	603 00 09-45	4-5	603 00 10-04	1-3
603 00 08-71	6-3	603 00 09-46	4-5	603 00 10-05	10-7
603 00 08-73	4-9, 6-7	603 00 09-47	4-7	603 00 10-06	10-7
603 00 08-74	4-9, 10-7, 10-23, 12-3, 12-5	603 00 09-48	4-7	603 00 10-07	10-7
603 00 08-75	1-3, 1-5, 1-9, 6-3, 6-11	603 00 09-49	10-9	603 00 10-08	10-7
603 00 08-76	6-9, 6-11	603 00 09-50	10-5	603 00 10-09	10-7
603 00 08-85	9-15	603 00 09-51	10-9	603 00 10-11	1-3, 1-5
603 00 08-90	7-23, 7-25	603 00 09-52	10-9	603 00 10-12	10-23
603 00 08-91	6-7, 13-3	603 00 09-53	4-9	603 00 10-13	10-23
603 00 08-92	6-3	603 00 09-54	4-9	603 00 10-14	14-5
603 00 08-94	6-13	603 00 09-55	13-21	603 00 10-15	9-15, 10-7
603 00 08-95	6-15	603 00 09-56	6-7	603 00 10-16	14-7
603 00 08-97	6-3	603 00 09-58	11-5	603 00 10-17	14-5
603 00 08-98	4-3	603 00 09-59	11-3, 11-5	603 00 10-18	7-5
603 00 08-99	13-3	603 00 09-60	11-3, 11-5	603 00 10-19	13-3
603 00 09-00	6-7	603 00 09-61	11-3	603 00 10-20	13-3
603 00 09-01	6-7	603 00 09-62	11-3	603 00 10-21	14-3
603 00 09-02	6-7	603 00 09-63	14-9	603 00 10-22	6-7
603 00 09-03	6-7	603 00 09-64	14-3	603 00 10-23	6-7
603 00 09-04	13-13	603 00 09-65	10-7	603 00 10-24	1-7
603 00 09-06	12-13	603 00 09-66	1-3, 1-5, 4-9, 8-3, 9-3	603 00 10-26	13-5
603 00 09-07	8-3	603 00 09-67	10-7	603 00 10-27	13-5
603 00 09-08	8-3, 9-3	603 00 09-68	10-3, 10-7	603 00 10-28	13-5
603 00 09-09	8-3, 9-3	603 00 09-69	10-7	603 00 10-29	13-5
603 00 09-10	9-15	603 00 09-70	14-5, 14-7	603 00 10-30	13-5

INDEX

603 00 10-31	13-5	603 00 11-00	9-15	603 00 11-60	1-11
603 00 10-32	13-5	603 00 11-01	3-7	603 00 11-61	1-9
603 00 10-33	13-5	603 00 11-02	1-9, 3-5, 3-9, 14-7	603 00 11-62	4-3, 4-5
603 00 10-34	13-5	603 00 11-03	3-9	603 00 11-63	5-3
603 00 10-35	13-5	603 00 11-04	3-5, 3-9	603 00 11-64	12-9
603 00 10-36	13-5	603 00 11-05	3-9	603 00 11-65	8-3, 9-3, 10-23
603 00 10-37	13-5	603 00 11-06	1-11, 3-3, 3-7	603 00 11-66	8-3, 9-3
603 00 10-38	13-5	603 00 11-07	3-5, 3-9	603 00 11-67	7-23, 14-3
603 00 10-39	13-5	603 00 11-08	3-3, 3-7	603 00 11-68	9-15
603 00 10-40	13-5	603 00 11-09	3-7, 3-9	603 00 11-69	8-3, 9-3, 12-13
603 00 10-41	13-5	603 00 11-10	14-5	603 00 11-70	6-7
603 00 10-42	13-5	603 00 11-11	8-3, 9-3	603 00 11-71	13-3
603 00 10-43	13-5	603 00 11-12	13-3	603 00 11-72	13-3
603 00 10-44	13-7	603 00 11-13	8-3	603 00 11-74	1-3, 1-5, 1-7, 1-11
603 00 10-45	13-5	603 00 11-14	9-3	603 00 11-75	4-3, 4-5
603 00 10-46	13-7	603 00 11-15	10-13	603 00 11-76	1-19
603 00 10-47	13-7	603 00 11-16	13-21	603 00 11-77	7-15, 7-17
603 00 10-48	13-7	603 00 11-17	13-21	603 00 11-78	7-17
603 00 10-49	1-9	603 00 11-18	13-23	603 00 11-79	4-11
603 00 10-50	7-23, 7-25	603 00 11-19	13-23	603 00 11-81	1-3, 1-5
603 00 10-51	7-23	603 00 11-20	13-23	603 00 11-82	10-13
603 00 10-52	7-23	603 00 11-21	13-23	603 00 11-83	4-3, 4-5
603 00 10-53	4-11	603 00 11-22	13-23	603 00 11-84	14-3
603 00 10-54	4-11	603 00 11-23	13-23	603 00 11-85	14-3
603 00 10-55	5-3, 5-5	603 00 11-24	13-23	603 00 11-86	8-3, 9-3
603 00 10-56	9-15	603 00 11-25	13-23	603 00 11-87	10-9
603 00 10-57	9-15	603 00 11-26	6-11	603 00 11-88	6-11
603 00 10-58	1-5	603 00 11-27	1-15	603 00 11-89	13-19
603 00 10-60	7-11	603 00 11-28	8-3	603 00 11-90	10-21, 14-3
603 00 10-62	6-11	603 00 11-29	1-19	603 00 11-91	7-25, 8-3
603 00 10-63	6-7	603 00 11-30	6-11	603 00 11-92	10-15
603 00 10-64	13-3	603 00 11-31	6-7	603 00 11-93	10-19
603 00 10-65	1-11	603 00 11-32	6-11	603 00 11-94	10-23
603 00 10-66	1-11	603 00 11-33	6-11	603 00 11-98	4-7, 10-25, 10-27
603 00 10-67	7-15, 7-17	603 00 11-34	6-11	603 00 11-99	8-5
603 00 10-68	7-15, 7-17	603 00 11-35	7-7, 13-11	603 00 12-00	8-5
603 00 10-69	7-25	603 00 11-37	1-9	603 00 12-01	8-5
603 00 10-70	7-25	603 00 11-38	1-9	603 00 12-02	8-5, 8-9, 8-53
603 00 10-72	13-21	603 00 11-39	4-9, 6-7	603 00 12-03	8-5
603 00 10-74	10-21	603 00 11-40	4-9, 6-7	603 00 12-04	8-5
603 00 10-75	10-23	603 00 11-41	4-9	603 00 12-05	8-5
603 00 10-76	14-3	603 00 11-42	9-15	603 00 12-06	8-5, 8-9
603 00 10-77	10-23	603 00 11-43	4-9, 10-15, 10-17, 10-19, 13-19	603 00 12-07	8-5, 8-11
603 00 10-85	1-19	603 00 11-44	13-3	603 00 12-08	8-33
603 00 10-86	1-19	603 00 11-45	1-9	603 00 12-09	8-5
603 00 10-87	1-19	603 00 11-48	6-13, 6-15	603 00 12-10	8-5
603 00 10-88	10-23	603 00 11-50	6-11	603 00 12-12	8-11, 8-53
603 00 10-89	10-23	603 00 11-51	1-3, 1-5	603 00 12-13	8-11
603 00 10-90	3-5	603 00 11-52	10-9	603 00 12-14	8-11
603 00 10-91	3-9	603 00 11-53	13-3	603 00 12-15	8-11
603 00 10-93	1-9	603 00 11-54	5-3	603 00 12-16	8-11
603 00 10-94	10-23	603 00 11-55	14-7	603 00 12-17	8-11
603 00 10-95	10-23	603 00 11-56	12-5	603 00 12-18	8-11
603 00 10-96	10-23	603 00 11-58	12-5	603 00 12-19	8-11
603 00 10-97	7-21	603 00 11-59	12-5	603 00 12-20	8-11
603 00 10-99	9-15			603 00 12-22	8-27

INDEX

603 00 12-23	8-27	603 00 12-79	8-19	603 00 13-35	8-33, 8-35
603 00 12-24	8-27	603 00 12-80	8-19	603 00 13-36	8-23
603 00 12-25	8-27	603 00 12-81	8-19	603 00 13-37	8-23
603 00 12-26	8-27	603 00 12-82	8-23	603 00 13-38	8-23
603 00 12-27	8-27	603 00 12-83	8-23	603 00 13-39	8-23, 8-55
603 00 12-28	8-21, 8-27	603 00 12-84	8-23	603 00 13-40	8-23, 8-55
603 00 12-29	8-27	603 00 12-85	8-23	603 00 13-41	14-9
603 00 12-30	8-23, 8-27	603 00 12-86	1-13, 1-15	603 00 13-42	14-9
603 00 12-31	8-27	603 00 12-88	7-7, 13-11	603 00 13-43	8-5, 8-33, 8-35, 14-9
603 00 12-32	8-27	603 00 12-89	13-19	603 00 13-44	14-13
603 00 12-33	8-27	603 00 12-91	12-5	603 00 13-45	14-13
603 00 12-34	8-21	603 00 12-92	6-7, 6-9, 6-11, 6-13, 6-15	603 00 13-46	14-13
603 00 12-35	8-21	603 00 12-94	12-11	603 00 13-47	14-13
603 00 12-36	8-7, 8-21	603 00 12-95	7-7, 13-11	603 00 13-48	14-13
603 00 12-37	8-21	603 00 12-96	10-23	603 00 13-49	8-53, 14-11
603 00 12-38	8-21	603 00 12-97	10-23	603 00 13-50	14-9
603 00 12-39	8-21	603 00 12-98	1-9, 7-7, 8-3, 9-3, 10-3, 11-5, 13-11	603 00 13-51	14-9
603 00 12-40	8-21	603 00 12-99	4-9, 5-3, 6-7	603 00 13-53	8-53, 14-9
603 00 12-41	8-41	603 00 13-00	1-3, 1-5, 1-7, 1-11	603 00 13-54	8-43
603 00 12-42	8-21	603 00 13-01	10-13	603 00 13-55	8-39
603 00 12-43	8-21	603 00 13-02	13-3	603 00 13-56	8-39
603 00 12-44	8-21	603 00 13-03	6-7	603 00 13-57	8-39
603 00 12-45	8-17	603 00 13-04	13-3	603 00 13-58	8-39, 8-53
603 00 12-46	8-17	603 00 13-05	5-3, 5-5	603 00 13-59	8-39
603 00 12-47	8-17	603 00 13-06	4-11, 4-13, 5-3, 5-5, 5-7, 5-9, 7-7, 13-11, 14-7	603 00 13-60	8-39
603 00 12-48	8-17	603 00 13-07	4-7	603 00 13-61	8-39
603 00 12-49	8-17, 8-53	603 00 13-08	1-3, 1-5, 1-15, 4-7, 4-11, 4-13, 5-3, 5-5, 5-7, 5-9, 6-3, 6-9, 6-11, 8-3, 9-3, 9-15, 10-7, 10-23, 14-3, 14-7	603 00 13-62	8-39, 8-53
603 00 12-50	8-15	603 00 13-10	6-13, 6-15	603 00 13-63	8-39, 8-53
603 00 12-51	8-7	603 00 13-11	6-13, 6-15	603 00 13-64	8-39
603 00 12-52	8-7	603 00 13-12	6-7, 6-9, 6-11, 6-13, 6-15	603 00 13-65	8-39
603 00 12-53	8-7	603 00 13-13	10-13	603 00 13-66	8-43
603 00 12-54	8-7	603 00 13-14	1-11, 3-3, 3-7	603 00 13-67	8-43
603 00 12-55	8-7	603 00 13-15	10-25, 10-27, 11-3, 11-5	603 00 13-68	8-39
603 00 12-56	8-23, 8-55	603 00 13-16	8-3, 11-5	603 00 13-69	8-29, 8-39, 8-41, 8-53
603 00 12-57	8-23	603 00 13-17	1-19, 8-3, 9-3, 10-25, 10-27, 13-19	603 00 13-70	8-29
603 00 12-58	8-23	603 00 13-18	3-11	603 00 13-71	8-29
603 00 12-59	8-23	603 00 13-19	10-11	603 00 13-72	8-29
603 00 12-60	8-23	603 00 13-20	10-11	603 00 13-75	8-43
603 00 12-61	8-23	603 00 13-21	10-11	603 00 13-76	8-43
603 00 12-62	8-19, 8-53	603 00 13-22	5-5	603 00 13-77	8-43
603 00 12-63	8-19, 8-53	603 00 13-23	12-5	603 00 13-78	8-43
603 00 12-64	8-19	603 00 13-24	11-5	603 00 13-79	8-43
603 00 12-65	8-19	603 00 13-25	1-3, 1-5	603 00 13-81	8-29
603 00 12-66	8-19	603 00 13-26	14-7	603 00 13-82	8-29
603 00 12-67	8-19, 14-11	603 00 13-27	1-15	603 00 13-83	8-37
603 00 12-68	8-23	603 00 13-28	8-23	603 00 13-84	8-37
603 00 12-69	8-23	603 00 13-29	8-23	603 00 13-85	8-37
603 00 12-70	8-23	603 00 13-30	8-23	603 00 13-87	8-37
603 00 12-71	8-23	603 00 13-31	8-23	603 00 13-88	8-37
603 00 12-72	8-23	603 00 13-32	8-23	603 00 13-89	8-37
603 00 12-73	8-23	603 00 13-33	8-23, 8-53	603 00 13-90	8-37
603 00 12-74	8-19	603 00 13-34	8-23	603 00 13-91	8-37
603 00 12-75	8-23			603 00 13-92	8-41
603 00 12-76	8-23			603 00 13-93	8-41
603 00 12-77	8-23			603 00 13-94	8-41
603 00 12-78	8-19			603 00 13-95	8-41

INDEX

603 00 13-96	8-41	603 00 14-62	9-7	603 00 15-18	9-13
603 00 13-97	8-41	603 00 14-63	10-11	603 00 15-19	9-13
603 00 13-98	8-41	603 00 14-64	10-11	603 00 15-20	9-13
603 00 13-99	8-41	603 00 14-65	10-11	603 00 15-21	9-13
603 00 14-00	8-41	603 00 14-66	10-11	603 00 15-22	9-13
603 00 14-01	8-41	603 00 14-67	10-11	603 00 15-23	9-13
603 00 14-02	8-41	603 00 14-68	10-11	603 00 15-24	9-13
603 00 14-03	8-41	603 00 14-69	10-11	603 00 15-25	9-13
603 00 14-04	8-41	603 00 14-70	10-13	603 00 15-27	9-13
603 00 14-05	8-41	603 00 14-71	10-13	603 00 15-28	9-13
603 00 14-06	8-13, 8-53	603 00 14-72	10-13	603 00 15-29	9-13
603 00 14-07	8-13	603 00 14-73	10-13	603 00 15-30	9-13
603 00 14-10	8-53	603 00 14-74	10-13	603 00 15-31	9-13
603 00 14-17	8-45	603 00 14-75	10-13	603 00 15-32	9-7, 9-13
603 00 14-18	8-49	603 00 14-76	10-13	603 00 15-33	9-11
603 00 14-19	8-49, 8-53	603 00 14-77	10-13	603 00 15-34	9-11
603 00 14-20	8-49	603 00 14-78	10-13	603 00 15-35	9-11
603 00 14-21	8-51	603 00 14-79	10-13	603 00 15-36	9-11
603 00 14-22	8-47	603 00 14-80	10-13	603 00 15-37	9-11
603 00 14-23	8-51	603 00 14-81	10-3, 10-13	603 00 15-38	9-11
603 00 14-24	8-51, 8-53	603 00 14-82	10-13	603 00 15-39	9-11
603 00 14-25	8-51	603 00 14-83	9-5, 10-13	603 00 15-40	9-11
603 00 14-26	8-51	603 00 14-84	9-11, 10-13	603 00 15-41	9-11
603 00 14-27	8-25	603 00 14-85	9-11, 10-13	603 00 15-42	9-11
603 00 14-29	8-25	603 00 14-86	9-11, 10-13	603 00 15-43	9-11
603 00 14-30	8-25	603 00 14-87	9-9	603 00 15-44	9-11
603 00 14-31	8-25	603 00 14-88	9-9	603 00 15-45	9-11
603 00 14-32	8-45	603 00 14-89	9-9	603 00 15-46	9-11
603 00 14-33	8-45	603 00 14-90	9-9	603 00 15-47	9-11
603 00 14-34	8-47	603 00 14-91	9-9	603 00 15-48	9-11
603 00 14-35	8-47	603 00 14-92	9-9	603 00 15-49	9-11
603 00 14-36	8-47	603 00 14-93	9-9	603 00 15-50	9-11
603 00 14-37	8-47	603 00 14-94	9-9	603 00 15-51	9-11
603 00 14-38	8-47	603 00 14-95	9-9	603 00 15-52	9-11
603 00 14-39	8-47	603 00 14-96	9-9	603 00 15-53	9-11
603 00 14-40	8-47	603 00 14-97	9-9	603 00 15-54	9-11
603 00 14-41	8-47	603 00 14-98	9-9	603 00 15-55	9-7
603 00 14-42	8-47	603 00 14-99	9-9	603 00 15-56	9-7
603 00 14-43	8-47	603 00 15-00	9-9	603 00 15-58	9-7, 9-13
603 00 14-44	8-9	603 00 15-01	9-9	603 00 15-59	9-7
603 00 14-45	8-47	603 00 15-02	9-9	603 00 15-60	9-7
603 00 14-46	8-47	603 00 15-03	9-9	603 00 15-61	9-7
603 00 14-47	8-47	603 00 15-04	9-13	603 00 15-62	9-7
603 00 14-48	8-47	603 00 15-05	9-13	603 00 15-63	9-7
603 00 14-49	8-47, 8-53	603 00 15-06	9-13	603 00 15-64	9-7
603 00 14-50	8-9	603 00 15-07	9-13	603 00 15-65	9-7
603 00 14-51	8-9	603 00 15-08	9-13	603 00 15-66	9-7
603 00 14-52	8-47	603 00 15-09	9-13	603 00 15-67	9-7
603 00 14-53	8-47	603 00 15-10	9-13	603 00 15-68	9-5, 9-7
603 00 14-54	8-9	603 00 15-11	9-13	603 00 15-69	9-5
603 00 14-55	8-9, 8-53	603 00 15-12	9-13	603 00 15-70	9-5
603 00 14-56	8-11, 8-39, 8-49	603 00 15-13	9-13	603 00 15-71	9-5
603 00 14-57	8-21	603 00 15-14	9-13	603 00 15-72	9-5
603 00 14-59	8-7, 8-53	603 00 15-15	9-13	603 00 15-73	9-5
603 00 14-60	8-53, 14-9	603 00 15-16	9-13	603 00 15-74	9-5
603 00 14-61	10-11	603 00 15-17	9-13	603 00 15-75	9-5

INDEX

603 00 15-76	9-5	603 00 16-33	13-21	603 00 16-94	9-9
603 00 15-77	9-5	603 00 16-35	12-13	603 00 16-95	9-13
603 00 15-78	9-5	603 00 16-36	12-13	603 00 16-96	9-13
603 00 15-79	9-5	603 00 16-37	12-13	603 00 16-97	10-13
603 00 15-80	9-5	603 00 16-38	12-13	603 00 16-98	10-25, 10-27
603 00 15-81	9-5	603 00 16-39	12-13	603 00 16-99	10-25, 10-27
603 00 15-82	9-7, 9-13	603 00 16-40	13-15	603 00 17-00	8-5
603 00 15-83	9-5	603 00 16-41	13-13	603 00 17-01	8-5
603 00 15-84	9-5	603 00 16-42	13-13, 13-15, 13-17	603 00 17-02	8-5
603 00 15-85	1-11	603 00 16-43	13-13	603 00 17-03	8-5
603 00 15-86	8-3, 9-3	603 00 16-44	13-15	603 00 17-04	8-5
603 00 15-87	9-15	603 00 16-45	13-13, 13-15	603 00 17-05	8-9
603 00 15-88	10-5	603 00 16-46	13-15	603 00 17-06	8-9
603 00 15-89	1-11	603 00 16-47	13-13	603 00 17-07	8-9
603 00 15-90	13-21	603 00 16-48	13-13, 13-15	603 00 17-08	8-9
603 00 15-91	13-21	603 00 16-49	13-13, 13-15, 13-17	603 00 17-09	8-9
603 00 15-92	13-21	603 00 16-50	13-17	603 00 17-11	8-11
603 00 15-93	13-21	603 00 16-51	13-13, 13-15	603 00 17-12	8-11
603 00 15-94	3-11	603 00 16-52	13-17	603 00 17-13	8-11
603 00 15-95	1-15	603 00 16-53	13-13	603 00 17-15	8-15
603 00 15-96	3-3, 3-7	603 00 16-54	13-13	603 00 17-17	8-17
603 00 15-97	6-13, 6-15	603 00 16-55	13-13	603 00 17-18	8-19
603 00 15-98	14-3	603 00 16-56	13-17	603 00 17-19	8-23, 8-55
603 00 15-99	1-19, 6-13, 6-15, 7-7, 13-11	603 00 16-58	13-13, 13-17	603 00 17-20	8-23
603 00 16-00	7-7, 13-11	603 00 16-59	13-17	603 00 17-22	8-25
603 00 16-01	14-3	603 00 16-60	13-17	603 00 17-23	8-27
603 00 16-02	6-13, 6-15	603 00 16-61	8-5	603 00 17-24	8-27
603 00 16-03	6-5	603 00 16-62	8-9	603 00 17-25	8-29
603 00 16-04	1-13	603 00 16-63	8-33, 8-35	603 00 17-26	8-29
603 00 16-05	4-9	603 00 16-64	8-39	603 00 17-28	8-29
603 00 16-06	4-9, 6-13, 6-15	603 00 16-66	10-21	603 00 17-29	8-31
603 00 16-07	4-9, 6-13, 6-15	603 00 16-67	9-15, 10-7	603 00 17-30	8-31
603 00 16-08	12-9, 12-11	603 00 16-68	10-13	603 00 17-31	8-11, 8-53
603 00 16-09	12-9, 12-11	603 00 16-69	13-3	603 00 17-32	8-39
603 00 16-10	12-11	603 00 16-70	4-3, 4-5	603 00 17-33	8-39
603 00 16-11	12-9, 12-11	603 00 16-71	4-7	603 00 17-34	8-41
603 00 16-12	12-9, 12-11	603 00 16-72	1-11	603 00 17-35	8-41
603 00 16-13	12-9, 12-11	603 00 16-73	1-11	603 00 17-36	8-43
603 00 16-14	12-11	603 00 16-74	1-11	603 00 17-38	8-33
603 00 16-15	12-9	603 00 16-75	1-3, 1-5	603 00 17-39	8-33
603 00 16-16	12-9, 12-11	603 00 16-76	1-3, 1-5	603 00 17-40	8-33, 8-35
603 00 16-17	12-9, 12-11	603 00 16-77	7-13	603 00 17-41	8-33
603 00 16-18	12-9, 12-11	603 00 16-80	10-7	603 00 17-42	8-33, 8-35
603 00 16-19	12-9, 12-11	603 00 16-81	13-13, 13-17	603 00 17-43	8-33, 8-35
603 00 16-20	12-9	603 00 16-82	9-15	603 00 17-44	8-33, 8-35
603 00 16-21	13-21	603 00 16-83	9-15	603 00 17-46	8-5
603 00 16-22	13-13, 13-21	603 00 16-84	6-7, 13-3	603 00 17-47	14-9
603 00 16-23	13-13, 13-21	603 00 16-85	9-11	603 00 17-48	14-9
603 00 16-24	13-13, 13-21	603 00 16-86	9-11	603 00 17-49	14-9
603 00 16-25	13-23	603 00 16-87	9-11	603 00 17-50	14-11
603 00 16-26	13-23	603 00 16-88	10-11	603 00 17-51	8-33, 8-35
603 00 16-28	13-13, 13-21	603 00 16-89	10-11	603 00 17-52	8-51
603 00 16-29	13-21	603 00 16-90	9-9	603 00 17-53	8-51, 11-5
603 00 16-30	13-21	603 00 16-91	9-9	603 00 17-54	7-21
603 00 16-31	13-23	603 00 16-92	9-9	603 00 17-55	8-53
603 00 16-32	13-21	603 00 16-93	9-9	603 00 17-56	8-53

INDEX

603 00 17-57	8-55	603 00 18-29	8-13	603 00 19-19	15-9
603 00 17-58	8-23, 8-55	603 00 18-30	8-13	603 00 19-20	15-9
603 00 17-59	1-7, 1-11	603 00 18-31	8-13	603 00 19-21	15-9
603 00 17-60	1-11	603 00 18-32	15-3	603 00 19-23	15-9
603 00 17-62	8-5, 8-53	603 00 18-33	15-3	603 00 19-24	15-9
603 00 17-63	6-13, 6-15	603 00 18-34	15-3	603 00 19-25	15-9
603 00 17-64	14-3	603 00 18-35	15-3	603 00 19-26	15-9
603 00 17-65	14-3	603 00 18-36	15-11	603 00 19-27	15-11
603 00 17-66	1-11	603 00 18-37	15-3	603 00 19-28	15-9
603 00 17-67	3-3	603 00 18-38	15-3	603 00 19-29	15-9
603 00 17-68	3-7	603 00 18-39	15-3	603 00 19-30	15-9
603 00 17-69	1-3, 1-5	603 00 18-40	15-3	603 00 19-31	15-9
603 00 17-74	1-19	603 00 18-41	15-3	603 00 19-34	9-7
603 00 17-75	1-19	603 00 18-42	15-3	603 00 19-41	7-13
603 00 17-76	1-19	603 00 18-43	15-3	603 00 20-07	15-9
603 00 17-77	5-7, 5-9	603 00 18-44	15-3	603 00 26-87	15-7
603 00 17-78	9-5	603 00 18-46	15-3	603 00 26-90	1-19
603 00 17-79	13-23	603 00 18-47	15-3	603 00 26-91	1-19
603 00 17-80	13-13	603 00 18-48	15-3	603 00 27-66	1-3, 1-5
603 00 17-81	13-13	603 00 18-49	15-3	603 00 27-78	1-3, 1-5
603 00 17-82	13-17	603 00 18-50	15-5	603 00 27-85	1-3, 1-5
603 00 17-83	13-17	603 00 18-51	15-5	603 00 27-87	15-11
603 00 17-84	13-15	603 00 18-52	15-5	603 00 28-00	8-29, 8-53
603 00 17-85	13-15	603 00 18-53	15-5	603 00 28-01	8-29
603 00 17-86	13-15	603 00 18-54	15-5	603 00 28-06	6-3
603 00 17-87	13-13	603 00 18-55	15-5	603 00 28-20	4-11
603 00 17-88	13-23	603 00 18-56	15-5	603 00 28-26	13-15
603 00 17-89	13-23	603 00 18-57	15-5	603 00 28-36	13-15
603 00 17-90	13-23	603 00 18-58	15-5	603 00 28-37	13-17
603 00 17-91	13-23	603 00 18-59	15-5	603 00 28-85	8-3
603 00 17-92	1-17, 3-11	603 00 18-60	15-5	603 00 29-24	4-13
603 00 17-93	3-11	603 00 18-61	15-5	603 00 29-25	4-13
603 00 17-94	3-11	603 00 18-62	15-5	603 00 29-30	4-13
603 00 17-96	3-11	603 00 18-63	15-5	603 00 29-35	15-5
603 00 17-97	3-11	603 00 18-64	15-5	603 00 29-36	15-5
603 00 17-98	7-13	603 00 18-67	15-5	603 00 29-38	15-5
603 00 17-99	7-13	603 00 18-75	15-5	603 00 29-39	15-5
603 00 18-10	8-11	603 00 18-78	15-11	603 00 29-40	15-5
603 00 18-11	8-11	603 00 18-81	15-7	603 00 29-41	15-5
603 00 18-12	1-13	603 00 18-83	15-7	603 00 29-47	11-3, 11-5
603 00 18-13	8-13	603 00 18-86	15-7	603 00 29-63	1-15, 6-5
603 00 18-14	8-21	603 00 18-87	15-7	603 00 29-92	15-7
603 00 18-15	8-31	603 00 18-89	15-7	603 00 30-09	12-11
603 00 18-16	8-31	603 00 18-90	15-7	603 00 30-35	13-15
603 00 18-17	8-31	603 00 18-92	15-7	603 00 30-57	10-5, 10-9
603 00 18-18	8-31, 8-37	603 00 18-94	15-7	603 00 33-69	15-7
603 00 18-19	8-33, 8-35, 8-45	603 00 18-95	15-7	603 00 33-70	15-7
603 00 18-20	8-33, 8-35, 8-45	603 00 18-96	15-7	603 00 33-71	15-7
603 00 18-21	8-33, 8-35	603 00 19-10	15-9	603 00 33-72	15-7
603 00 18-22	8-49	603 00 19-11	15-9	603 00 33-73	15-7
603 00 18-23	8-13, 8-53	603 00 19-13	15-9	603 00 33-74	15-7
603 00 18-24	8-13	603 00 19-14	15-9	603 00 33-75	15-7
603 00 18-25	8-13	603 00 19-15	15-9	603 00 33-76	15-7
603 00 18-26	8-13	603 00 19-16	15-9	603 00 33-77	15-7
603 00 18-27	8-13	603 00 19-17	15-9	603 00 33-78	15-7
603 00 18-28	8-13, 14-9	603 00 19-18	15-9	603 00 33-79	15-7

INDEX

603 00 33-80 15-7
603 00 33-81 15-7
603 00 35-22 5-9
603 00 35-23 5-9
603 00 35-24 5-9
603 00 35-25 5-9
603 00 35-26 5-7, 5-9
603 00 35-29 6-5
603 00 35-44 6-7
603 00 35-62 13-3
603 00 35-63 13-7
603 00 35-74 13-23
603 00 35-75 13-23
603 00 35-93 9-7
603 00 36-06 1-11
603 00 36-13 15-9
603 00 36-17 1-19
603 00 37-70 9-7, 9-11
603 00 38-04 10-3
603 00 38-40 5-3, 5-5
603 00 40-08 13-23
603 00 40-79 1-9
603 00 41-17 6-13, 6-15
603 00 41-37 5-9
603 00 41-38 5-9
603 00 41-68 7-19, 7-21
603 00 41-69 7-19, 7-21
603 00 44-12 12-3, 12-5
603 00 44-13 6-3
603 00 44-14 6-9, 6-11
603 00 44-75 4-3, 4-5
603 00 44-76 4-5
603 00 44-77 8-35
603 00 44-78 8-35
603 00 44-79 8-35
603 00 44-80 8-35
603 00 45-07 13-15

A

A-arm 6-7
absorber, shock 6-9, 6-11
accelerator cable 10-15, 10-19
accelerator pedal 5-3
accelerator pedal adjustment tool 15-3
accessory receptacle 7-19, 7-21
actuator 1-15
adapter
actuator 1-15
cable (IQDM) 15-7
hose 9-15
intake, engine 10-13
tube 9-15, 10-7
adapter, oil filter 9-15
adhesive, guide ring 15-3
adjuster
hydraulic brake 15-7

adjuster, forward/aft 1-9
adjuster, slide 13-3
adjuster, slider 1-9
adjuster, spring 10-23
air clean support 10-25, 10-27
air filter 10-25, 10-27
air filter canister 10-25, 10-27
air filter evacuator 10-25, 10-27
alternator 8-33, 8-35
alternator belt 8-35
arbor 15-3
arm
A- 6-7
governor 13-17
lower 6-7
rocker 8-47
valve rocker 9-11
arm, swing 6-13, 6-15
assembly
accelerator pedal 5-3
adjusting bolt 8-29
alternator 8-33
bearing case cover 8-19
brake line 4-9
brake pedal 5-5, 5-7, 5-9
brake rotor 13-3, 13-21
brush guard 1-3, 1-5
bucket seat 1-9
camshaft 8-21, 9-13
case, main bearing 8-19
connecting rod 8-23, 9-13
crankcase cover 9-9
cylinder head cover 8-13
drain cock 8-5
filler cap 4-7
forward/reverse 7-7, 13-11
fuel camshaft 8-27
fuel cap 10-9
fuel filter 10-7
fuel injection pump 8-37
fuel pump 10-7, 10-13
fuel tank vent 10-5, 10-9
gear case 13-13, 13-23
governor 9-9
governor arm 13-17
governor fork 8-43
governor fork lever 8-43
headlight 7-13
hinge, tilt bed 1-13
idle apparatus 8-29
inner ball joint 6-5
intake manifold 8-49
muffler 13-3
nozzle holder 8-41
oil pump 8-17
oil pump cover 9-9

overflow pipe 8-41
park brake pedal 5-7, 5-9
pinion 13-23
piston ring 8-23, 8-55
reservoir, remote 4-7
rocker arm 8-47
slide adjuster 13-3
speed plate 8-39
tailgate 1-17
tank, coolant expansion 14-5
tether 1-17
thermostat 14-9
tilt bed 1-13
tire 2-3, 2-5
valve, lifter 9-13
valve, solenoid 10-11
water pump 14-11
wire 7-23, 7-25, 10-5, 10-9
assembly, sub-
A-arm, upper 6-7
fly weight 13-17
front differential upright 13-3
gear case 13-13
governor spool 13-17
moveable drive clutch 12-9, 12-11
spider 12-9, 12-11
stationary 12-9, 12-11
swingarm 6-13, 6-15
weight clutch 12-9, 12-11
axle 13-21
axle tube 13-23
axle, rear, guard mounts 13-21

B

ball
check 8-21
crankshaft 8-23
governor 8-27
injection pump 8-27
steel 9-9
valve 8-11
ball joint 6-7, 13-3, 13-19
band, pipe 14-9, 14-13
banjo bolt 4-3, 4-5
bar clamp 14-7
bar, side step 1-19
bar, sway 6-11
barb, vent 10-3, 10-7
barrier, heat 1-11
base, seat holder 1-11
battery clamp 7-23, 7-25
battery discharge machine 15-3
battery terminal protector spray 15-3
battery thermometer 15-3
battery, 12-volt 7-23, 7-25
bearing

INDEX

- ball (steering pinion) 6-5
 - lower pinion 6-5
 - needle 9-13, 13-5, 13-13, 13-15, 13-23
 - radial ball 9-13
 - bearing and oil seal remover 15-3
 - bearing case cover 8-19
 - bearing case, main 8-19
 - bearing driver set 15-3
 - bearing puller 15-3
 - bearing puller wedge 15-3
 - bed, tilt 1-13
 - bell crank kit 4-13
 - bellcrank 5-9, 13-15
 - bellows 6-5, 13-21
 - belt guard 8-35
 - belt, alternator 8-35
 - belt, drive 12-7
 - belt, V- 8-33
 - bezel, fuel fill 1-19
 - block, differential spacer 13-3
 - block, engine 8-5
 - block, fuse 7-15, 7-17
 - bobbin, coil with press fit 13-5
 - body wrap 1-21
 - body, front 1-3, 1-5
 - bolt
 - adjusting 8-29
 - banjo 4-3, 4-5
 - drain plug 9-9
 - bracket
 - actuator 1-15
 - anti-sway bar 6-11
 - brake line 4-9, 6-7
 - brake pedal 5-5
 - choke cable 10-13
 - coolant bottle 14-5
 - cover inlet 12-5
 - equalizer 4-11, 4-13
 - governor arm 10-23
 - governor cable 10-23
 - hydraulic line 4-9, 6-13, 6-15
 - muffler 11-3, 11-5
 - oil filter mount 9-15
 - park brake 5-9
 - radiator mount, upper 14-3
 - rocker arm 8-47
 - seatbelt 1-11
 - steering support 1-7
 - transmission cable 8-3, 9-3, 13-19
 - transmission mounting 8-3, 9-3
 - brake adjustment tool 15-3
 - brake cable 4-13
 - brake cable release tool 15-3
 - brake caliper 4-3, 4-5
 - brake caliper return spring 4-5
 - brake fluid reservoir 4-7
 - brake line 4-9
 - brake pad service kit 4-3, 4-5
 - brake pedal 5-5, 5-7, 5-9
 - brake pedal adjustment tool 15-3
 - brake pedal tension tool 15-3
 - brake return spring 4-11, 4-13
 - brake rotor 13-3, 13-21
 - brake, park, cable pulley kit 4-11
 - breather cover 8-13
 - breather shield 8-13
 - breather tube 8-13, 10-13
 - breather valve 8-13, 9-13
 - brush guard 1-3, 1-5
 - bucket seat 1-9
 - buckle, seatbelt 1-11
 - bulb, headlight 7-13
 - bullet, detent 13-15
 - bumper
 - bed 1-15
 - rubber 1-17
 - stud 14-3
 - bushing 1-15
 - A-arm 6-7
 - anti-sway bar 6-11
 - arm, lower 6-7
 - flanged bronze 8-21
 - forward/reverse 7-7, 13-11
 - greaseless 5-3, 5-5
 - link 6-11
 - Permgilide 13-5
 - piston pin 8-23, 8-55
 - pivot, urethane 6-13, 6-15
 - plain 13-7
 - return line 10-9
 - self-lubricating 13-5
 - steel 1-13
 - teflon 6-13, 6-15
 - urethane 1-13
 - button, thrust 13-5
 - buzzer, reverse 7-7, 13-11
- ## C
- cable
 - accelerator 10-15, 10-19
 - bell crank 4-13, 5-9
 - brake 4-13
 - choke 10-17
 - governor 10-23
 - IQDM 15-7
 - park brake 4-11
 - transmission 13-19
 - cage, roll 13-5
 - calibration test module 15-3
 - caliper, brake 4-3, 4-5
 - cam installation tool 15-3
 - camshaft 8-21, 9-13
 - camshaft, fuel 8-27
 - canister, air filter 10-25, 10-27
 - cap
 - air filter 10-25, 10-27
 - bolt assembly 8-29
 - connecting rod 9-13
 - filler 4-7
 - fuel 10-9
 - fuel tank 10-5
 - inlet 12-5
 - noise suppressor 9-5, 9-7
 - oil filler 9-9
 - pressure 14-5
 - radiator 14-3
 - rubber 13-3
 - sealing 8-5, 8-9
 - spark plug 9-5, 9-7
 - speed control plate 8-39
 - steering wheel 6-3
 - valve 8-47
 - cap, front corner 1-17
 - carburetor air vent tube 10-3, 10-7
 - carburetor float level tool 15-7
 - carburetor, Honda 10-11
 - card, safety first 15-9
 - case
 - gear 8-11, 13-13, 13-21, 13-23
 - governor ball 8-27
 - main bearing 8-19
 - case cover, bearing 8-19
 - chain, transmission 13-13
 - charge coil 9-7
 - charger bezel tool 15-3
 - choke cable 10-17
 - clamp
 - bar 14-7
 - battery 7-23, 7-25
 - breather tube 8-13
 - hose 10-3, 10-7
 - p- (fuel filter) 1-3, 1-5, 4-9, 8-3, 9-3, 10-7
 - pipe 8-41
 - wire 9-7, 9-13
 - clevis pin 4-7
 - clip
 - hair pin 1-17
 - clip, brake line 4-9, 10-15, 10-17, 10-19, 13-19
 - clip, breather tube 10-13
 - clip, governor 9-9
 - clip, meter 7-19, 7-21
 - clip, piston pin 9-13
 - clip, return pipe 8-41
 - clip, tube 10-3, 10-13
 - clip, wire harness 10-13
 - closeout 1-9

INDEX

- clutch 12-13
 - clutch alignment tool 15-5
 - clutch cover 12-9, 12-11
 - clutch housing 13-5
 - clutch removal tool 15-3
 - clutch tool kit 15-5
 - clutch, diesel 12-11
 - clutch, gas 12-9
 - coil
 - charge 9-7
 - ignition 9-7
 - pocket insert 13-5
 - coil with press-fit bobbin 13-5
 - collar, alternator assembly 8-33, 8-35
 - collar, crankshaft 8-23
 - collar, idle gear 8-21
 - collar, lever 8-39
 - collet 8-47
 - column, steering 6-3
 - communication display module 15-5
 - compression gauge 15-5
 - compressor, piston ring 15-9
 - compressor, valve spring 15-11
 - connecting rod 8-23, 9-13
 - connector, relay 7-15, 7-17
 - console, drink holder 1-9
 - continuity tester 15-5
 - coolant exchanger 14-3
 - coolant expansion tank 14-5
 - coolant fill tee 14-3
 - coolant lamp sensor 14-9
 - coolant pipe 14-7
 - coolant pipe mounting tab 14-7
 - coolant temperature indicator light 7-21
 - cooling fan 9-5, 14-3
 - cord, glow plug 8-41
 - corner cap 1-17
 - cotter, rue ring 6-13, 6-15
 - cover 9-9
 - alternator assembly 8-33
 - bearing case 8-19
 - breather 8-13, 9-13
 - cargo box 1-21
 - clutch 12-9, 12-11
 - crankcase 9-9
 - CVT 8-3, 9-3, 12-3, 12-5, 12-9, 12-11
 - cylinder head 8-13
 - electrical 7-15, 7-17
 - engine 10-21
 - fan 9-5
 - fuel camshaft 8-5
 - head 9-11
 - head filler 9-11
 - heat proof 8-51
 - input 13-7
 - oil filter 9-9
 - oil pump 9-9
 - thermostat 14-9
 - cover plate, output 13-5
 - cover, steering column 6-3
 - cowl 1-3, 1-5
 - cowl support, ROPS 1-3, 1-5, 1-11
 - crank 8-23
 - crankcase 9-9
 - crankcase cover 9-9
 - crankshaft 8-23, 9-13
 - C-type stop ring 6-5
 - cup holder, seat 1-9
 - cutter, valve seat 15-5, 15-11
 - CVT 12-13
 - CVT cover kit, sealed 12-5
 - CVT cover kit, unsealed 12-3, 12-5
 - cylinder head 8-9, 9-11
 - cylinder head cover 8-13
 - cylinder, master 4-7
- ## D
- dash, front 1-7
 - dashboard 1-3, 1-5
 - decal
 - bed 3-11
 - bed load warning 3-3, 3-7
 - cowl 3-11
 - crush area warning 3-3, 3-7
 - diesel 3-11
 - diesel fuel only 3-7
 - driver/passenger 3-5, 3-9
 - ground warning 3-5, 3-9
 - high capacity 3-11
 - hot manifold warning 3-9
 - hot surface warning 1-9, 3-5, 3-9, 14-7
 - Husqvarna tailgate 1-17, 3-11
 - operating instructions 3-5, 3-9
 - ROPS certification 1-11, 3-3, 3-7
 - rotating parts 3-3
 - rotating parts and hot manifold 3-5, 3-9
 - rotating parts warning 3-7, 3-9
 - side panel 3-11
 - trailer hitch 3-3, 3-7
 - under 16 warning 1-11, 3-3, 3-7
 - vehicle loading 3-3, 3-7
 - warning, diesel instrument panel 3-7
 - warning, gas instrument panel 3-3
 - winch cable warning 3-5, 3-9
 - deflector oil 13-13
 - diaphragm tube 10-13
 - diesel tachometer probe 15-9
 - differential housing 13-23
 - differential, front 13-5
 - diode, engine stop 9-7
 - dipstick, oil 9-9
 - disc 4-11
- ## E
- E-clip 4-11, 4-13
 - elbow 10-9
 - end, tie rod 6-5
 - engine block 8-5
 - engine, diesel, Kubota D722 with closed breather 8-3
 - engine, Honda 9-3
 - equalizer 4-11, 4-13
 - exchanger, engine coolant 14-3
 - exhaust header 11-3
 - exhaust valve 8-47, 9-11
 - expansion tank, coolant 14-5
- ## F
- fan shroud 14-3
 - fan, cooling 9-5, 14-3
 - fastener, push-in 7-15, 7-17
 - fender, front 1-3, 1-5
 - fender, rear 1-19
 - filler cap 4-7
 - filter
 - air 10-25, 10-27
 - fuel 10-3, 10-7, 10-13
 - inlet cover 12-5
 - oil 8-7, 8-11, 9-15
 - filter, air, canister 10-25, 10-27
 - fitting, thread-forming grease 6-13, 6-15
 - flange, water 14-9
 - float set 10-11
 - floor mat 1-3, 1-5
 - floor plate, bed 1-13
 - fly weight 13-17

INDEX

flywheel 8-25, 9-7
flywheel puller 15-7
FNR shifter bracket 8-3, 9-3, 13-19
fork, transmission 13-17
forward/reverse assembly 7-7, 13-11
Forward/Reverse shifter 7-7, 13-11
frame, tilt bed 1-13
front body 1-3, 1-5
front differential 13-5
front panel 1-19
fuel camshaft 8-27
fuel cap 10-9
fuel filter 10-3, 10-7, 10-13
fuel gauge sending unit 10-5, 10-9
fuel injection pump 8-37
fuel pickup tube 10-9
fuel pump 10-7, 10-13
fuel tank (diesel) 10-9
fuel tank (gasoline) 10-5
fuel tank cap 10-5
fuel tank strap 10-3, 10-7
fuel tank vent 10-5, 10-9
fuel tank, diesel 10-9
fuel tank, gas 10-5
fuel tube 10-13
fuel-hour gauge 7-19, 7-21
fuse
 10-amp 7-15, 7-17
 25-amp 7-15, 7-17
 30-amp 7-17
fuse block 7-15, 7-17

G

gasket
 bearing case 8-19, 8-53
 breather cover 9-13
 carburetor 10-13
 carburetor adapter 10-13
 carburetor bowl 10-11
 case cover 9-9
 clutch cover 12-9, 12-11
 control plate 8-39, 8-53
 cover 8-19, 8-53, 12-5
 cylinder head 8-9, 8-53, 9-11
 cylinder head cover 8-13, 8-53, 9-11
 drain plug 8-7
 exhaust 8-53, 11-3, 11-5
 ex-manifold 8-51, 8-53
 fuel pump 8-5, 8-53
 gearcase 8-11, 8-53
 head cover 8-53
 head cover nut 8-29, 8-39, 8-41, 8-53
 idle apparatus 8-29, 8-53
 intake manifold 8-49, 8-53, 9-11, 10-13
 liquid 15-7
 nozzle 8-41

oil pump 8-17, 8-53
sending unit 10-5, 10-9
thermostat 8-53, 14-9
water flange 8-53, 14-9
water pump 8-53, 14-11
gauge, compression 15-5
gauge, fuel-hour 7-19, 7-21
gauge, oil 8-15
gear
 cam 8-21
 case 8-11, 13-13, 13-21, 13-23
 crank 8-23
 helical 13-15, 13-17
 idle 8-21
 injection pump 8-27
 oil pump drive 8-17
 ring 8-25, 13-5, 13-23
gear ring engagement 13-15
gear yoke 15-7
glow plug 8-41
glow plug cord 8-41
governor 9-9
governor arm 13-17
governor cable 10-23
governor fork lever 8-43
governor guard 10-23
governor lever 8-39
governor shaft installation tool 15-7
governor spool 13-17
governor wire 10-23
grid, screen 9-5
grill 1-3
grip tape, accelerator pad 5-3
grommet 10-5, 10-9, 10-13, 13-5
grommet tool 9-7
guard
 brush 1-3, 1-5
 governor 10-23
 radiator 14-3
 splash 1-7
guard, belt 8-35
guide
 accelerator cable 5-3
 detent bullet 13-15
 exhaust valve 8-9
 inlet valve 8-9
 oil gauge 8-15
 valve seat cutter 15-11
guide ring adhesive 15-3

H

hair pin clip 1-17
half shaft 13-3
handle, park brake 5-7, 5-9
hanger, engine 9-5
harness, headlight 7-13

harness, wire 7-5, 7-11
head, cylinder 8-9, 9-11
header, exhaust 11-3
headlight assembly 7-13
headlight bulb 7-13
headlight harness 7-13
headlight spacer 7-13
heat barrier 1-11
heat seal 8-41
helical gear 13-15, 13-17
hinge plate 1-9
hinge, tilt bed 1-13
holder
 drink 1-9
 fork lever 8-43
 screen grid 9-5
Honda engine 9-3
hook, engine 8-9
hose 14-5
 coolant 14-3, 14-7
 fuel filter 10-7
 fuel pump 10-7
 fuel return 10-7
 inlet cover 12-5
 intake 10-25, 10-27
 oil, remote 9-15
 overflow 8-41
 vent 8-3, 9-3, 13-3, 14-5, 14-7
hose, outlet 12-3, 12-5
housing
 clutch 13-5
 differential 13-23
 Mate-N-Lock 13-5
 steering gear 6-5
hub 4-11
hub, race/output 13-5
hydraulic brake adjuster 15-7
hydrometer 15-7

I

idle apparatus 8-29
idle gear 8-21
ignition coil 9-7
injection pump gear 8-27
inlet valve 8-47, 9-11
insert, carburetor adapter 10-13
insulator, carburetor 10-13
intake adapter, engine 10-13
intake manifold 8-49
internal retaining ring pliers 15-7
IQ display module (IQDM) 15-7
isolator ring and bushing 8-3, 9-3
isolator, twin stud 14-3

INDEX

- J**
jet, main 10-11
joint
 ball 6-7, 13-3, 13-19
 eye 8-37
 pipe 8-11
- K**
key
 feather 8-17, 8-21, 8-23, 8-27
 pair 7-21
 woodruff 9-7, 9-13
key (pair) 7-19
key switch 7-19, 7-21
key switch spacer 7-19
keyswitch nut 7-19
kit
 anti-sway 6-11
 bolt 13-5
 brake pad service 4-3, 4-5
 brake pedal adjustment tool 15-3
 camo cover 1-21
 clutch 13-5
 cover plate, input 13-7
 cover plate, output 13-5
 drain plug 13-5
 forward gear repair 13-15
 gasket 8-53
 governor shaft repair 13-17
 H-clip spring 13-5
 input shaft repair 13-17
 IQ display module (IQDM) 15-7
 neutral switch repair 13-15
 nozzle holder 8-41
 park brake handle 5-7, 5-9
 piston rebuild 8-55
 race output hub 13-5
 rear axle gear repair 13-23
 repair, minor 13-5
 reverse gear repair 13-13
 roll cage 13-5
 roller 13-5
 ROPS 1-11
 transmission shift shaft repair 13-15
 tune-up 15-9
knob, forward/reverse 7-7, 13-11
knob, light switch 7-19, 7-21
knuckle, slider steering 6-3
- L**
latch, access panel 1-3, 1-5
latch, slam 1-17
latch, spring 1-17
lever
 engine stop 8-39
- fork 8-43
governor 8-39
lost motion 5-3
speed control 8-39
light
 oil 7-19, 7-21
light switch 7-19, 7-21
light switch knob 7-19, 7-21
light, coolant temperature indicator 7-21
limit switch 7-7, 13-11
line, brake reservoir 4-7
link, drag 6-5
liquid gasket 15-7
low oil warning light 7-19, 7-21
lubricant, dry moly 15-7
lubricant, moly-teflon 15-7
- M**
main jet 10-11
manifold
 exhaust 8-51
 inlet 9-11, 10-13
 intake 8-49
mat, floor 1-3, 1-5
Mate-N-Lock housing 13-5
Mate-N-Lock pin 13-5
meter clip 7-19, 7-21
meter, volt ohm 15-11
module
 calibration test 15-3
 communication display 15-5
moly-teflon lubricant 15-7
motor
 starter 8-45, 9-7
mount, link 6-11
moveable drive clutch 12-9, 12-11
muffler 11-3, 11-5, 13-3
- N**
nipple, remote oil 9-15
noise suppressor cap 9-5, 9-7
nongrease/spacers locker 13-23
nozzle holder 8-41
nozzle, main 10-11
nut, keyswitch 7-19
nut, toggle switch 7-19, 7-21
- O**
oil deflector 13-13
oil dipstick 9-9
oil filter 8-7, 8-11, 9-15
oil filter screen 9-9
oil pan 8-7
oil pressure switch 8-5, 9-7
oil pump 8-17
oil pump drive gear 8-17
oil seal 8-11, 8-19, 9-9, 9-13, 13-5, 13-7
oil slinger 8-23
oil warning light, low 7-19, 7-21
O-ring 8-5, 8-7, 8-9, 8-11, 8-13, 8-23, 8-31, 8-39, 8-53, 9-15, 13-5, 13-7
overflow pipe 8-41
- P**
paint, touch-up 15-7
pan
 center 1-9
 oil 8-7
 seat 1-9
panel
 access 1-3, 1-5
 left 1-17
 right 1-17
 side 1-19
panel, front 1-17, 1-19
park brake cable 4-11
park brake pedal 5-7, 5-9
p-clamp (fuel filter) 1-3, 1-5, 4-9, 8-3, 9-3, 10-7
pedal, accelerator 5-3
pedal, brake 5-5, 5-7, 5-9
pin, clevis 4-7
pin, dowel 13-5
pin, Mate-N-Lock 13-5
pin, piston 8-23, 8-55, 9-13
pin, slide, caliper slide pin 4-3, 4-5
pinion 13-23
pinion, steering 6-5
pipe
 breather 8-49
 coolant 14-7
 exhaust 11-3, 11-5
 injection 8-41
 overflow 8-41
 water 14-13
 water return 8-13, 14-9
pipe band 14-9, 14-13
pipe clamp 8-41
pipe, coolant 14-7
piston 8-23, 8-55, 9-13
piston pin 8-23, 8-55, 9-13
piston ring 8-23, 8-55
piston ring compressor 15-9
piston ring pliers 15-9
piston ring set 9-13
pivot, rocker arm 9-11
plate
 armature 13-5
 back 1-13, 1-15
 cover, output 13-5
 electrical 7-15, 7-17

INDEX

- engine block 8-5
- engine mounting 8-3, 9-3
- engine, left side 9-5
- floor, bed 1-13
- fuel/oil 9-15, 10-7
- hinge 1-9
- push rod guide 9-11
- shroud 8-25, 9-5
- speed 8-39
- speed control 8-39
- thrust 13-5
- pliers
 - internal retaining ring 15-7
 - piston ring 15-9
 - retaining ring 15-9
- plug
 - drain 8-7
 - driven clutch puller 15-5
 - engine block 8-5, 8-9, 8-11, 13-13, 13-21
 - expansion 8-5
 - gearcase 13-13, 13-21
 - glow 8-41
 - oil drain 13-5
 - oil fill 13-5
 - oil filler 8-13
- plug, spark 9-7, 9-11
- press weldment 15-5
- prop shaft 13-9
- protector spray, battery terminal 15-3
- puller
 - bearing 15-3
 - clutch 15-3
 - drive clutch 15-5
 - drive clutch hub 15-5
 - driven clutch cam 15-5
 - flywheel 15-7
 - seal 15-9
 - special use tool 15-9
- pulley
 - fan drive 8-33, 8-35
 - mount 4-11
 - water pump 8-33, 8-35
- pulley, brake, park, cable, kit 4-11
- pullrod, compression spring 5-3
- pump
 - fuel 10-7, 10-13
 - fuel injection 8-37
 - oil 8-17
 - water 14-11
- push rod 8-21, 9-11
- R**
- rack guide pressure spring 6-5
- rack, steering 6-5
- radiator 14-3
- radiator cap 14-3
- radiator guard 1-5, 14-3
- radiator pipe 14-7
- reamer, valve guide 15-9
- receiver, rear 6-13, 6-15
- receptacle, accessory 7-19, 7-21
- regulator, voltage 9-15
- relay 7-15, 7-17
- relay connector 7-15, 7-17
- remover, bearing and oil seal 15-3
- reservoir, brake fluid 4-7
- reservoir, remote 4-7
- retainer
 - spring (driven clutch) 12-13
 - valve spring 8-47, 9-11
- retaining ring 13-3
- retaining ring pliers 15-9
- retractor, seat belt 1-11
- reverse buzzer 7-7, 13-11
- ring
 - piston 8-23, 8-55
 - snap 6-5
- ring gear 8-25, 13-5, 13-23
- ring set, piston 9-13
- ring, C-type stop 6-5
- ring, retaining 13-3
- rivet, blind push 1-7
- rocker arm 8-47
- rocker arm pivot 9-11
- rod
 - connecting 8-23, 9-13
 - crank crank rod 8-23
 - push 8-21, 9-11
- roll cage 13-5
- roller weight 12-9, 12-11
- roller, torque 12-9, 12-11
- ROPS certification decal 1-11, 3-3, 3-7
- ROPS cowl support 1-3, 1-5, 1-11
- ROPS kit 1-11
- ROPS support tube 1-11
- ROPS top 1-11
- ROPS weldment 1-11
- rotator, valve 9-11
- rotor, brake 13-3, 13-21
- rotor, oil pump 9-9
- rubber bumper 1-17
- S**
- safety first card 15-9
- screen grid 9-5
- screen, oil filter 9-9
- screw, valve clearance adjuster 15-9
- seal
 - dual lip 13-13, 13-15, 13-17, 13-23
 - heat 8-41
 - oil 8-11, 8-19, 9-9, 9-13, 13-5, 13-7
- steering pinion dust 6-5
- triple lip 13-13
- valve stem 8-47, 8-53, 9-11
- seal puller 15-9
- seat
 - bucket 1-9
 - valve 8-11
 - valve spring 9-11
- seat belt retractor 1-11
- seat holder base 1-11
- seat, bucket 1-9
- seatbelt buckle 1-11
- sending unit, fuel gauge 10-5, 10-9
- sensor, coolant lamp 14-9
- service kit, brake pad 4-3, 4-5
- shaft
 - CVT adapter 8-3
 - drive 13-9
 - fork lever 8-43
 - governor arm 9-13
 - governor lever 8-39
 - idle gear 8-21
 - input 13-17
 - intermediate 13-15
 - output 13-17
 - pinion 13-7
 - prop 13-9
 - rock arm 8-47
- shaft shift 13-15
- shaft, half 13-3
- sheave, drive clutch base 12-13
- sheave, driven clutch 12-13
- shield, breather 8-13
- shield, exhaust 11-5
- shift, shaft 13-15
- shim 12-9, 12-11, 13-23
- shim, armature plate 13-5
- shim, injection pump 8-37
- shock absorber 6-9, 6-11, 6-13, 6-15
- shroud 9-5
 - head 9-5
- shroud, fan 14-3
- side panel 1-19
- side step bar 1-19
- slam latch 1-17
- sleeve
 - crankshaft 8-23
 - governor 8-27
 - link 6-11
 - lower suspension 6-7
 - upper suspension 6-7
- slide pin 4-3, 4-5
- slide, adjuster 13-3
- slider, governor 9-9
- slinger, oil 8-23
- snap ring 6-5

INDEX

- solenoid, stop 8-31
 - spacer
 - engine 8-3
 - headlight 7-13
 - key switch 7-19
 - spacer block, differential 13-3
 - spanner wrench 15-9
 - spark plug 9-7, 9-11
 - spark plug cap 9-5, 9-7
 - speed plate 8-39
 - spider 12-9, 12-11
 - splash guard 1-7
 - spray, battery terminal protector 15-3
 - spring
 - access panel 1-3, 1-5
 - brake caliper return 4-5
 - brake return 4-11, 4-13
 - carburetor 10-23
 - choke spring 10-23
 - compression 10-23, 12-9, 12-11, 12-13
 - continuity 10-13
 - detent bullet 13-15
 - exhaust 11-3, 11-5
 - governor 8-43
 - governor idle 10-23
 - idle apparatus 8-29
 - pedal 5-3
 - pedal stop 5-3
 - rack guide pressure 6-5
 - relief valve 9-9
 - return 8-39
 - rocker arm 8-47
 - start 8-9, 8-43
 - torsion 5-3
 - valve 8-11, 8-47, 9-11
 - spring latch 1-17
 - sprocket 13-13
 - start spring 8-43
 - starter motor 8-45, 9-7
 - stay
 - alternator assembly 8-33
 - cylinder head 8-9
 - fuel pump 10-13
 - spring 8-11
 - stop solenoid 8-31
 - steel bushing 1-13
 - steering column 6-3
 - steering column bearing press tool 15-9
 - steering column cover 6-3
 - steering column retaining ring tool 15-9
 - steering gear housing 6-5
 - steering pinion dust seal 6-5
 - steering rack 6-5
 - steering wheel 6-3
 - steering wheel puller tool 15-9
 - stem, valve 2-3, 2-5
 - step bar, side 1-19
 - stop solenoid stay 8-31
 - stopper, camshaft 8-21
 - stopper, fuel camshaft 8-27
 - strap, fuel tank 10-3, 10-7
 - stud 8-3, 8-37, 8-51, 14-13
 - engine 9-7
 - idle adjustment 8-29
 - self-clinching 1-17
 - support yoke (steering) 6-5
 - support, access panel 1-3, 1-5
 - sway bar 6-11
 - swingarm 6-13, 6-15
 - switch
 - indicator (transmission) 13-15
 - key 7-19, 7-21
 - light 7-19, 7-21
 - limit 7-7, 13-11
 - oil pressure 8-5, 9-7
 - toggle 7-19, 7-21
- ## T
- 12-volt battery 7-23, 7-25
 - tab, coolant pipe mounting 14-7
 - tachometer 15-9
 - tachometer probe, diesel 15-9
 - tailgate 1-17
 - tailgate angle 1-17
 - tank
 - coolant expansion 14-5
 - tank, fuel 10-5, 10-9
 - tank, fuel (diesel) 10-9
 - tank, fuel (gasoline) 10-5
 - tape, grip, accelerator pad 5-3
 - tape, vinyl foam 1-9, 1-13, 14-3
 - tappet 8-21
 - tee, coolant fill 14-3
 - temperature indicator light, coolant 7-21
 - tester, continuity 15-5
 - tether 1-17
 - thermometer, battery 15-3
 - thermostat 14-9
 - thread-forming grease fitting 6-13, 6-15
 - thrust button 13-5
 - thrust plate 13-5
 - tie rod end 6-5
 - tie wrap 1-15, 4-9, 4-11, 4-13, 6-5
 - tilt bed 1-13
 - tilt bed frame 1-13
 - tire 2-3, 2-5
 - toggle switch 7-19, 7-21
 - tool
 - accelerator pedal adjustment 15-3
 - belt tensioning, starter/generator 15-11
 - brake adjustment 15-3
 - brake cable release 15-3
 - brake pedal adjustment 15-3
 - brake pedal tension 15-3
 - cam installation 15-3
 - carburetor float level 15-7
 - charger bezel 15-3
 - clutch alignment 15-5
 - cT-wrench 15-5
 - drive clutch fixed sheave 15-5
 - drive clutch holder 15-5
 - drive clutch spider removal 15-5
 - driven clutch spring compression base 15-5
 - driven clutch spring compression collar 15-5
 - driven clutch spring compression nut 15-5
 - governor shaft installation 15-7
 - grommet 9-7
 - puller, special use 15-9
 - steering column bearing press 15-9
 - steering column retaining ring 15-9
 - steering wheel puller 15-9
 - transaxle axle seal 15-9
 - transaxle pinion seal 15-9
 - transmission 15-9
 - valve guide driver 15-9
 - valve seat cutter 15-5
 - tool kit, clutch 15-5
 - top, ROPS 1-11
 - torque converter 12-13
 - torque roller 12-9, 12-11
 - touch-up paint 15-7
 - transaxle axle seal tool 15-9
 - transaxle housing 13-23
 - transaxle pinion seal tool 15-9
 - transmission cable 13-19
 - transmission cable bracket 8-3, 9-3, 13-19
 - transmission chain 13-13
 - transmission fork 13-17
 - transmission tool 15-9
 - transmission, parallel shaft 13-13
 - tube
 - axle 13-23
 - breather 8-13, 10-13
 - carburetor air vent 10-3, 10-7
 - diaphragm 10-13
 - fuel 10-13
 - fuel pickup 10-9
 - ROPS support 1-11
 - tune-up kit 15-9
 - T-wrench tool 15-5
- ## U
- upright, front differential 13-3
 - urethane bushing 1-13

INDEX

V

valve 10-25, 10-27
breather 8-13, 9-13
exhaust 8-47, 9-11
fuel pickup tube 10-5
inlet 8-47, 9-11
lifter 9-13
rocker arm 9-11
rotator 9-11
seat 8-11
solenoid 10-11
spring seat 9-11
valve clearance adjuster screw 15-9
valve guide driver tool 15-9
valve guide reamer 15-9
valve seat cutter 15-5, 15-11
valve seat cutter guide 15-11
valve seat cutter tool 15-5
valve seat t-wrench 15-11
valve spring compressor 15-11
valve stem 2-3, 2-5
V-belt 8-33
vent barb 10-3, 10-7
vent, housing, upper 13-23
vent, transmission 13-13
volt ohm meter 15-11
voltage regulator 9-15

W

warning light, low oil 7-19, 7-21
water flange 14-9
water pump 14-11
wedge, bearing puller 15-3
weight clutch 12-9, 12-11
weldment
press 15-5
weldment, accelerator pedal 5-3
weldment, accelerator pedal bracket 5-3
weldment, actuator bracket 1-15
weldment, air cleaner support 10-25, 10-27
weldment, brake pedal 5-5
weldment, coolant pipe 14-7
weldment, cowl support, ROPS 1-3, 1-5, 1-11
weldment, dash, front 1-7
weldment, Forward/Reverse shifter 7-7, 13-11
weldment, Forward/Reverse shifter bracket 7-7, 13-11
weldment, lever, lost motion 5-3
weldment, receiver 6-13, 6-15
weldment, shaft shift 13-15
weldment, tilt bed frame 1-13
weldment, top, ROPS 1-11
wheel 2-3, 2-5
wheel, steering 6-3

wire assembly 7-23, 7-25, 10-5, 10-9
wire harness 7-5, 7-11
wire harness, electric lift 1-15
wire, governor 10-23
wrap, body 1-21
wrap, tie 1-15, 4-9, 4-11, 4-13, 6-5
wrench, spanner 15-9

Y

yoke, gear 15-7
yoke, support (steering) 6-5