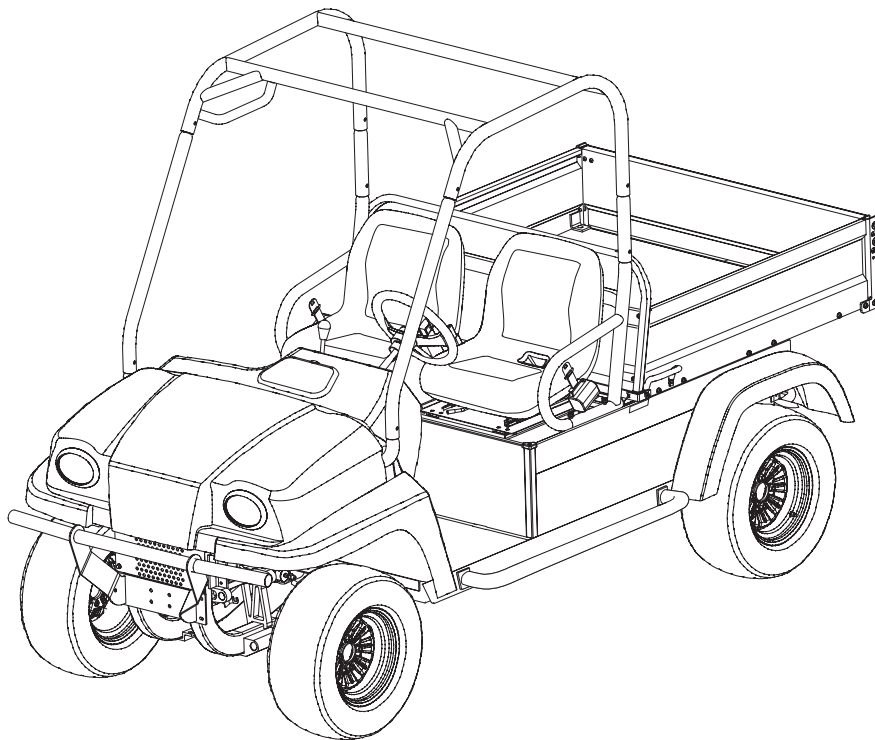




**2005**  
**HUV4420 and HUV4420-D**  
**Illustrated Parts List**



**HUV4420 and HUV4420-D**  
**Gasoline and Diesel Vehicles**

Manual Number 603001805  
Edition Code 0105F1207E



# USING THE ILLUSTRATED PARTS LIST

---

## **⚠ WARNING**

- **This manual is to be used only for identification and ordering of service parts. Be sure to read and use the maintenance and service manual before attempting any vehicle repairs.**

This manual covers all HUV4420 gasoline and HUV4420-D diesel vehicles.

The manual is divided into 15 sections. Sections 1 through 14 pertain to the gasoline and diesel vehicles, Section 15 pertains to tools that are used on all Husqvarna products.

Use the Table of Contents to find the sections and pages that contain the parts and assemblies you seek. The Table of Contents lists section numbers, and under them, the individual page titles and numbers to be found in that section. The index can be used to find specific parts and assemblies. The index is divided into numerical and alphabetical listings with the page numbers in italic text.

There is a two-page spread for each individual page title in the Table of Contents. On the left-hand page is an illustration showing the parts in their relative positions; the parts are each tagged with an item number in a balloon. The right-hand page is the parts list page, and gives the page title at the top, then the item numbers (corresponding to the numbers on the illustration), part descriptions, and quantity of parts used.

Note that a part description may be indented. This indentation corresponds to a parts assembly level indicated by the numbers 1, 2, 3, and 4 at the top left corner of the parts description area of the parts list page. A part that is indented to *level 2* is a component of the *level 1* part (assembly) that it is listed under. A *level 3* part is a component of the *level 2* part that it is listed under, and a *level 4* part is a component of the *level 3* part preceding it. In each case, the part quantity given for a level 2, 3, or 4 part *is the quantity used per next higher level assembly of which it is a component*. A part that is not indented is a *level 1* part. This means that the quantity given is the quantity used per the portion of the vehicle illustrated on that particular spread.

## HOW TO ORDER PARTS

Replacement parts and accessories can be obtained from our network of authorized dealers and distributors. For the name and address of the Husqvarna representative nearest you, logon to our web site at [www.usa.husqvarna.com](http://www.usa.husqvarna.com). If you would prefer to write to us, direct your letter to: Husqvarna, Attention: Marketing Services, 7349 Statesville Rd., Charlotte, NC 28269 USA. Your local authorized Husqvarna representative can also provide technical advice, parts, and service manuals.



Husqvarna Forest and Garden  
7349 Statesville Rd.  
Charlotte, NC 28269  
USA  
[www.husqvarna.com](http://www.husqvarna.com)

**NOTE:** *This illustrated parts list represents the most current information at the time of publication. Husqvarna is continually working to further improve its vehicles and other products. These improvements may affect the parts used to service the vehicle. Any modification and/or significant change in specifications will be forwarded to all Husqvarna distributors/dealers and will, when applicable, appear in future editions of this illustrated parts list.*

*Husqvarna reserves the right to change specifications and designs at any time without notice and without the obligation of making changes to units previously sold.*

# CONTENTS

---

## SECTION 1 – BODY AND TRIM

---

Front Body Trim, Gasoline Vehicles .....	1-3
Front Body Trim, Diesel Vehicles .....	1-5
Front Body Components .....	1-7
Front Seats and Cup Holder .....	1-9
ROPS .....	1-11
Tilt Bed and Hinge .....	1-13
Electric Bed Lift .....	1-15
Cargo Box .....	1-17
Rear Body Trim .....	1-19
Camouflage Covers .....	1-21

## SECTION 2 – WHEELS AND TIRES

---

Wheels and Tires, All-Terrain Tread .....	2-3
Wheels and Tires, Mud Tread .....	2-5

## SECTION 3 – DECALS

---

Safety Decals, Gasoline Decals .....	3-3
Safety Decals, Gasoline Vehicles, Continued .....	3-5
Safety Decals, Diesel Vehicles .....	3-7
Safety Decals, Diesel Vehicles, Continued .....	3-9
Badging Decals, HUV 4420 .....	3-11

## SECTION 4 – BRAKE SYSTEMS

---

Front Brake Assembly .....	4-3
Rear Brake Assembly .....	4-5
Master Cylinder .....	4-7
Hydraulic Brake Lines and Clips .....	4-9
Park Brake Assembly with Pulley System .....	4-11
Park Brake Assembly with Bellcrank System .....	4-13

## SECTION 5 – PEDAL GROUP

---

Accelerator Pedal Assembly .....	5-3
Brake Pedal Assembly .....	5-5
Park Brake Pedal Assembly .....	5-7
Park Brake Pedal Assembly with Bellcrank System .....	5-9

# CONTENTS

---

## SECTION 6 – STEERING AND SUSPENSION

---

Steering Column .....	6-3
Steering Gear Assembly .....	6-5
Front Suspension – A-Arms .....	6-7
Front Suspension (Standard) .....	6-9
Front Suspension (High-Capacity Option) .....	6-11
Rear Suspension (Standard) .....	6-13
Rear Suspension (High-Capacity Option) .....	6-15

---

## SECTION 7 – ELECTRICAL SYSTEM

---

Wiring – Gasoline Vehicles .....	7-5
Forward/Reverse Shifter Assembly .....	7-7
Wiring – Diesel Vehicles .....	7-11
Headlights .....	7-13
Electrical Component Box, Gasoline Vehicles .....	7-15
Electrical Component Box, Diesel Vehicles .....	7-17
Electrical Components, Instrument Panel, Gasoline Vehicles .....	7-19
Electrical Components, Instrument Panel, Diesel Vehicles .....	7-21
Battery – Gasoline Vehicles .....	7-23
Battery – Diesel Vehicles .....	7-25

---

## SECTION 8 – DIESEL ENGINE – CLOSED BREATHER

---

Kubota D722 Diesel Engine Mounting .....	8-3
Crankcase .....	8-5
Oil Pan .....	8-7
Cylinder Head .....	8-9
Gear Case .....	8-11
Head Cover .....	8-13
Dipstick and Guide .....	8-15
Oil Pump .....	8-17
Main Bearing Case .....	8-19
Camshaft and Idle Gear .....	8-21
Piston and Crankshaft .....	8-23
Flywheel .....	8-25
Shaft .....	8-27
Idle Apparatus .....	8-29
Stop Solenoid .....	8-31
40-Amp Alternator .....	8-33

# CONTENTS

---

60-Amp Alternator .....	8-35
Injection Pump .....	8-37
Speed Control Plate .....	8-39
Nozzle Holders and Glow Plugs .....	8-41
Governor Components .....	8-43
Starter .....	8-45
Valves and Rocker Arms .....	8-47
Diesel Inlet Manifold .....	8-49
Exhaust Manifold .....	8-51
Gasket Kits .....	8-53
Piston Kit .....	8-55

## SECTION 9 – HONDA GX620 GASOLINE ENGINE

---

Honda GX620 Gasoline Engine Mounting .....	9-3
Shrouds and Brackets .....	9-5
Ignition Components and Flywheel .....	9-7
Oil Circulation .....	9-9
Cylinder Head .....	9-11
Crankcase and Crankshaft .....	9-13
Oil Filter Adapter and Voltage Regulator .....	9-15

## SECTION 10 – FUEL, INTAKE, AND GOVERNOR SYSTEM

---

Fuel System – Gasoline Vehicles .....	10-3
Fuel Tank – Gasoline Vehicles .....	10-5
Fuel System – Diesel Vehicles .....	10-7
Fuel Tank – Diesel Vehicles .....	10-9
Carburetor Assembly, Honda Gasoline Vehicles .....	10-11
Carburetor Installation – Honda Gasoline Vehicles .....	10-13
Governor and Accelerator Cables, Gasoline Vehicles .....	10-15
Choke Cable, Gasoline Vehicles .....	10-17
Accelerator Cable, Diesel Vehicles .....	10-19
Governor Cover – Gasoline Vehicles .....	10-21
Governor System – Gasoline Vehicles .....	10-23
Intake Duct and Air Box Assembly – Honda Gasoline Vehicles .....	10-25
Intake Duct and Air Box Assembly – Diesel Vehicles .....	10-27

## SECTION 11 – EXHAUST SYSTEM

---

Exhaust System, Gasoline Vehicles .....	11-3
Exhaust System, Diesel Vehicles .....	11-5

# CONTENTS

---

## SECTION 12 – CLUTCHES

---

Clutch Cover (Standard) .....	12-3
Clutch Cover (Sealed) .....	12-5
Drive Belt .....	12-7
Drive Clutch – Gasoline Vehicles .....	12-9
Drive Clutch – Diesel Vehicles .....	12-11
Driven Clutch .....	12-13

---

## SECTION 13 – DRIVETRAIN COMPONENTS

---

Front Differential Mounting and Half Shafts .....	13-3
Front Differential (Output Components) .....	13-5
Front Differential (Input Components) .....	13-7
Prop Shafts .....	13-9
Forward/Reverse Shifter Assembly .....	13-11
Transmission .....	13-13
Transmission, Continued .....	13-15
Transmission, Continued .....	13-17
Transmission Cable .....	13-19
Rear Differential .....	13-21
Rear Differential, Continued .....	13-23

---

## SECTION 14 – RADIATOR AND COOLANT SYSTEM (DIESEL VEHICLES)

---

Radiator .....	14-3
Coolant Expansion Tank .....	14-5
Coolant Pipes and Hoses .....	14-7
Water Flange and Thermostat .....	14-9
Water Pump .....	14-11
Block Coolant Pipe .....	14-13

---

## SECTION 15 – MAINTENANCE AND SERVICE TOOLS

---

Maintenance and Service Tools .....	15-3
Maintenance and Service Tools, Continued .....	15-5
Maintenance and Service Tools, Continued .....	15-7
Maintenance and Service Tools, Continued .....	15-9
Maintenance and Service Tools, Continued .....	15-11

---

## SECTION i – INDEX

---



**11**

**G**

**D**

# CLUTCHES

---

12

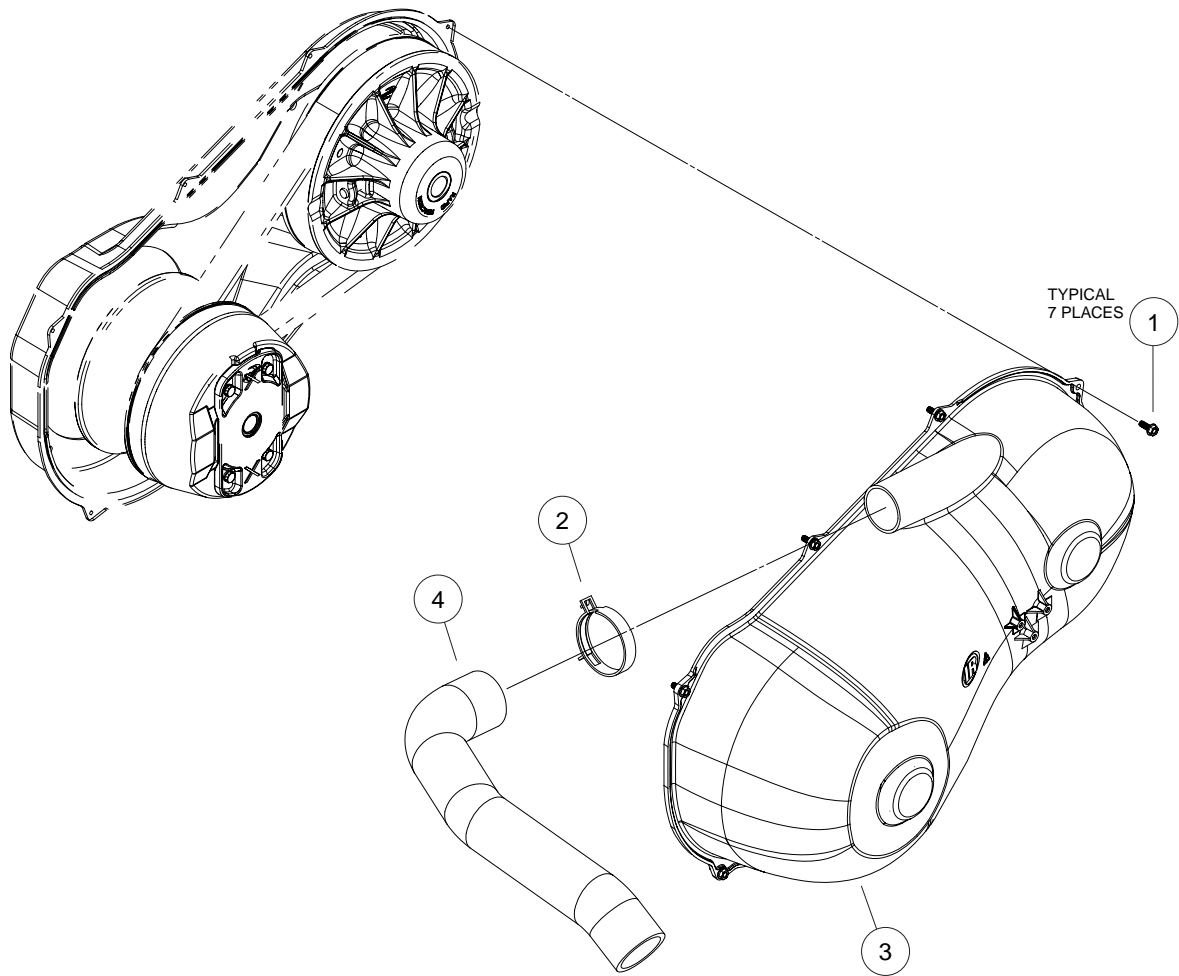
G

D

12

G

D



000008-002

# CLUTCH COVER (STANDARD)

ITEM	PART NO.	DESCRIPTION	QTY
		1 2 3 4	
1	603 00 08-74	Screw, M6 X 16 Tt Hx Fl Hd .....	7
2	603 00 09-76	Clamp, Hose, Ctb 64mm .....	1
3	603 00 09-83	Cover, CVT Outer .....	1
4	603 00 44-12	Hose, Outlet, Cvt .....	1

12

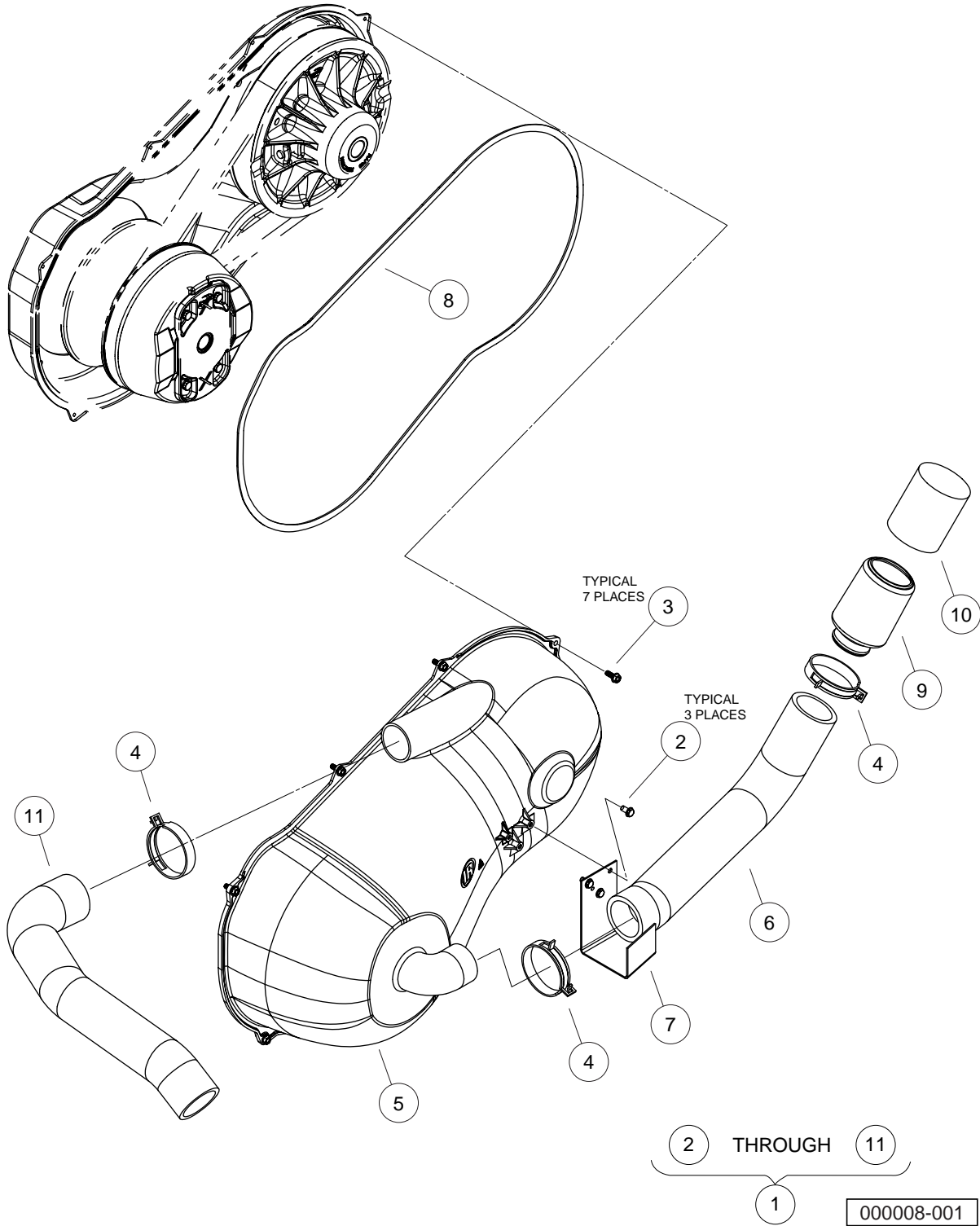
G

D

12

G

D



# CLUTCH COVER (SEALED)

ITEM	PART NO.	DESCRIPTION	QTY
		1 2 3 4	
1	531 30 07-38	Kit, Sealed CVT Cover (includes items 2 through 11) .....	1
2	603 00 05-26	Screw, 1/4-15 X 1.50 Hi-lo Hex .....	3
3	603 00 08-74	Screw, M6 X 16 Tt Hx FI Hd .....	7
4	603 00 09-76	Clamp, Hose, Ctb 64mm .....	3
5	603 00 09-83	Cover, CVT Outer .....	1
6	603 00 11-56	Hose, Inlet, Cover, CVT .....	1
7	603 00 11-58	Bracket, Inlet, Cover, CVT .....	1
8	603 00 11-59	Gasket, Cover, CVT .....	1
9	603 00 12-91	Cap, Inlet, Cover, CVT .....	1
10	603 00 13-23	Filter, Inlet, Cover, CVT .....	1
11	603 00 44-12	Hose, Outlet, Cvt .....	1

12

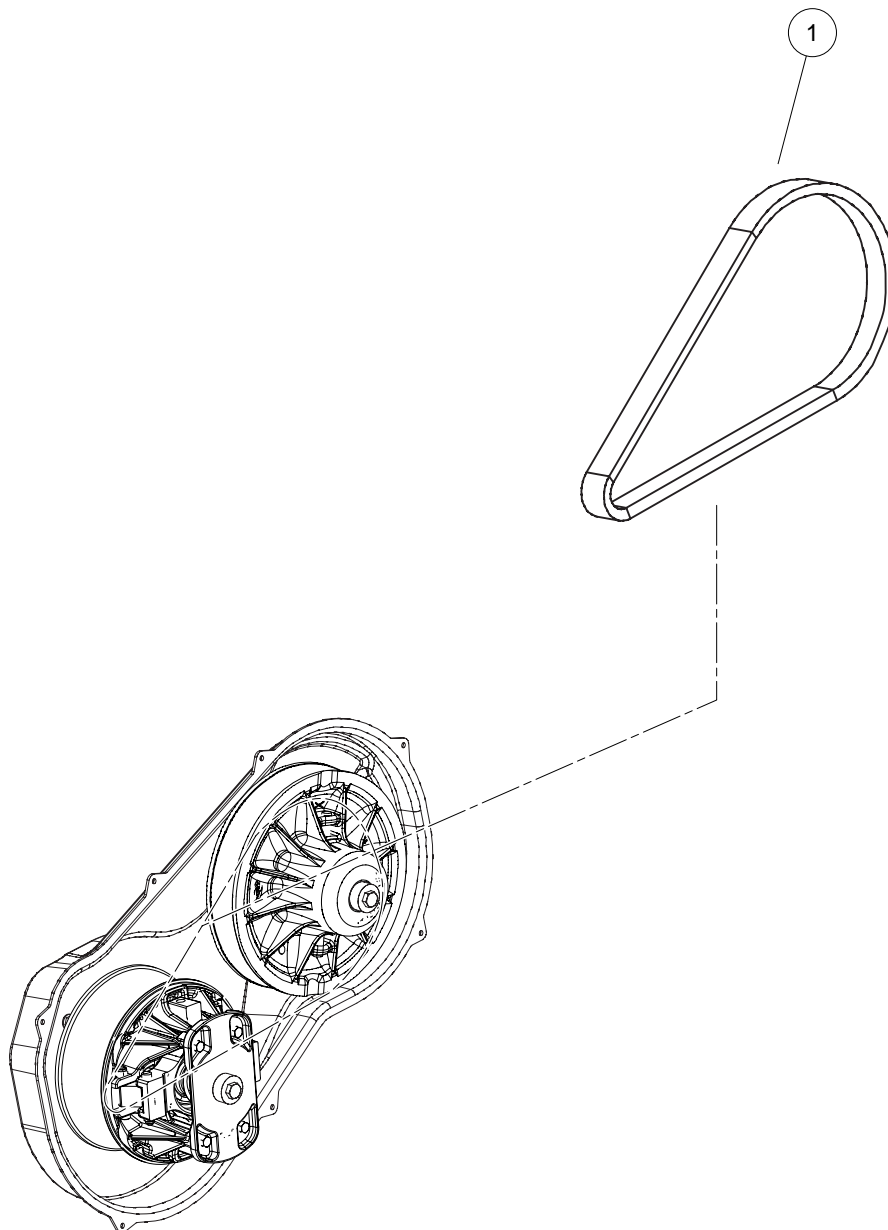
G

D

12

G

D



000084-001

# DRIVE BELT

ITEM	PART NO.	DESCRIPTION	QTY
1	603 00 09-18	1 2 3 4 Belt, Drive .....	1

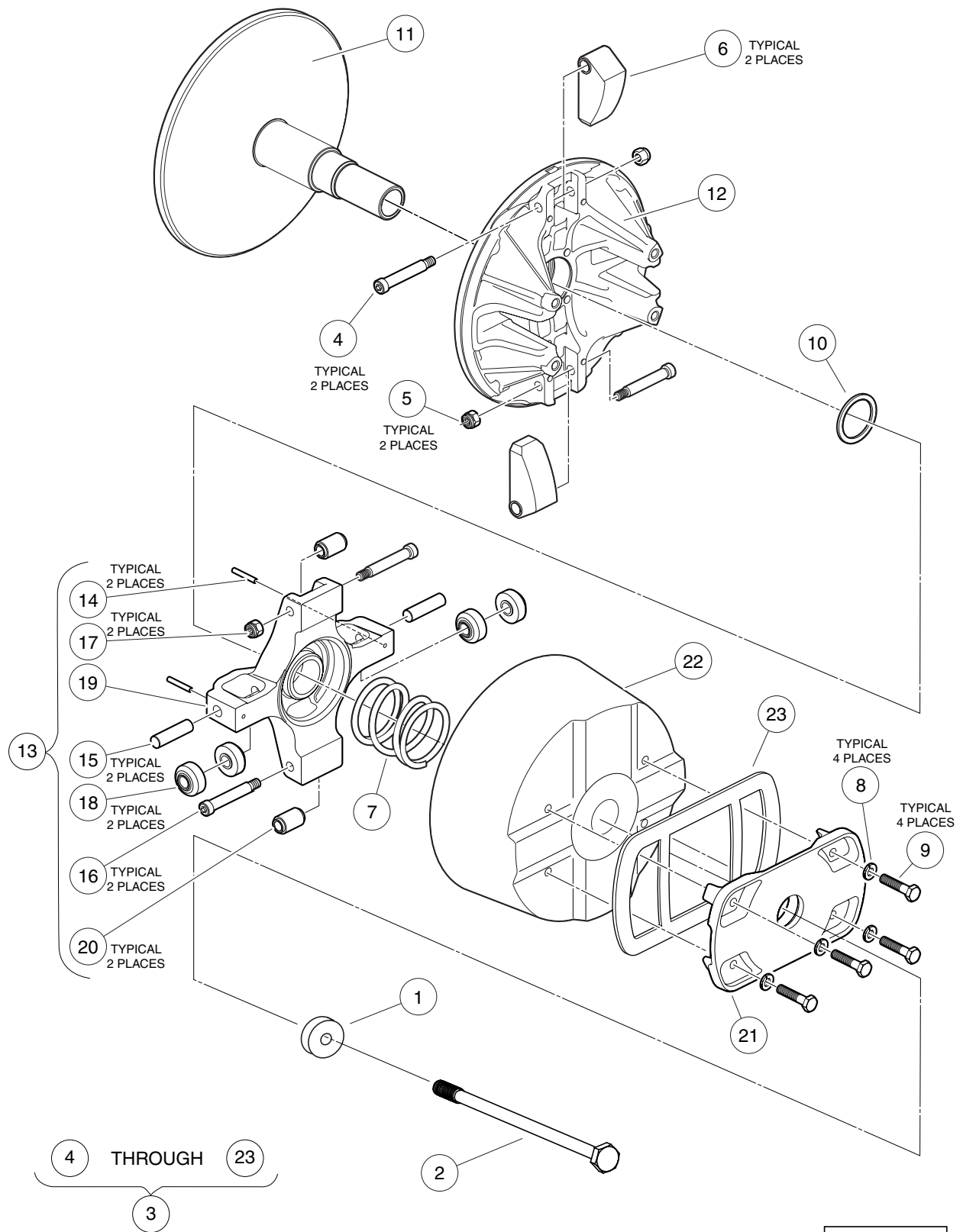
**12**  
**G**  
**D**



12

G

D



000007-003

# DRIVE CLUTCH – GASOLINE VEHICLES

ITEM	PART NO.	DESCRIPTION	QTY
		1 2 3 4	
1	603 00 09-38	Washer, Stepped .....	1
2	603 00 11-64	Bolt, M10x1.25x200 Loctite .....	1
3	603 00 09-82	Clutch, 4x4, Gas, W/cover (includes items 4 through 23) .....	1
4	603 00 16-11	Screw, Shlder Hex, .312 X 1.75 .....	2
5	603 00 16-13	Nut, Lock Hex, 1/14-20, Flexlc .....	2
6	603 00 16-15	Sub Assy, Wt Clutch, Gas .....	2
7	603 00 16-16	Spring, Compression, Primary .....	1
8	603 00 16-17	Washer, Lock, H-Spring, 1/4 .....	4
9	603 00 16-18	Screw, Cap, Hex Hd, 1/4 X 1.25 .....	4
10	603 00 16-19	Shim, 1.63 X 1.33 .....	A/R
11	N/A	Subassembly, Drive Clutch .....	1
12	N/A	Subassembly, Moveable, Drive Clutch .....	1
13	N/A	Spider Subassembly (Gasoline) (includes items 14 through 20) .....	1
14	603 00 16-08	Pin, Spring Slotted, 1.25 X 1.0 .....	2
15	603 00 16-09	Pin, Dowel, .375 X 1.50 .....	2
16	603 00 16-11	Screw, Shlder Hex, .312 X 1.75 .....	2
17	603 00 16-13	Nut, Lock Hex, 1/14-20, Flexlc .....	2
18	603 00 16-20	Roller, Torque, Gas .....	4
19	N/A	Spider, Drive Clutch .....	1
20	603 00 16-12	Sub Assy, Roller Weight .....	2
21	N/A	Cover, Drive Clutch .....	1
22	531 30 81-40	Cover, Clutch, 4x4 .....	1
23	531 30 81-39	Gasket, Cover, Clutch, 4x4 .....	1

12

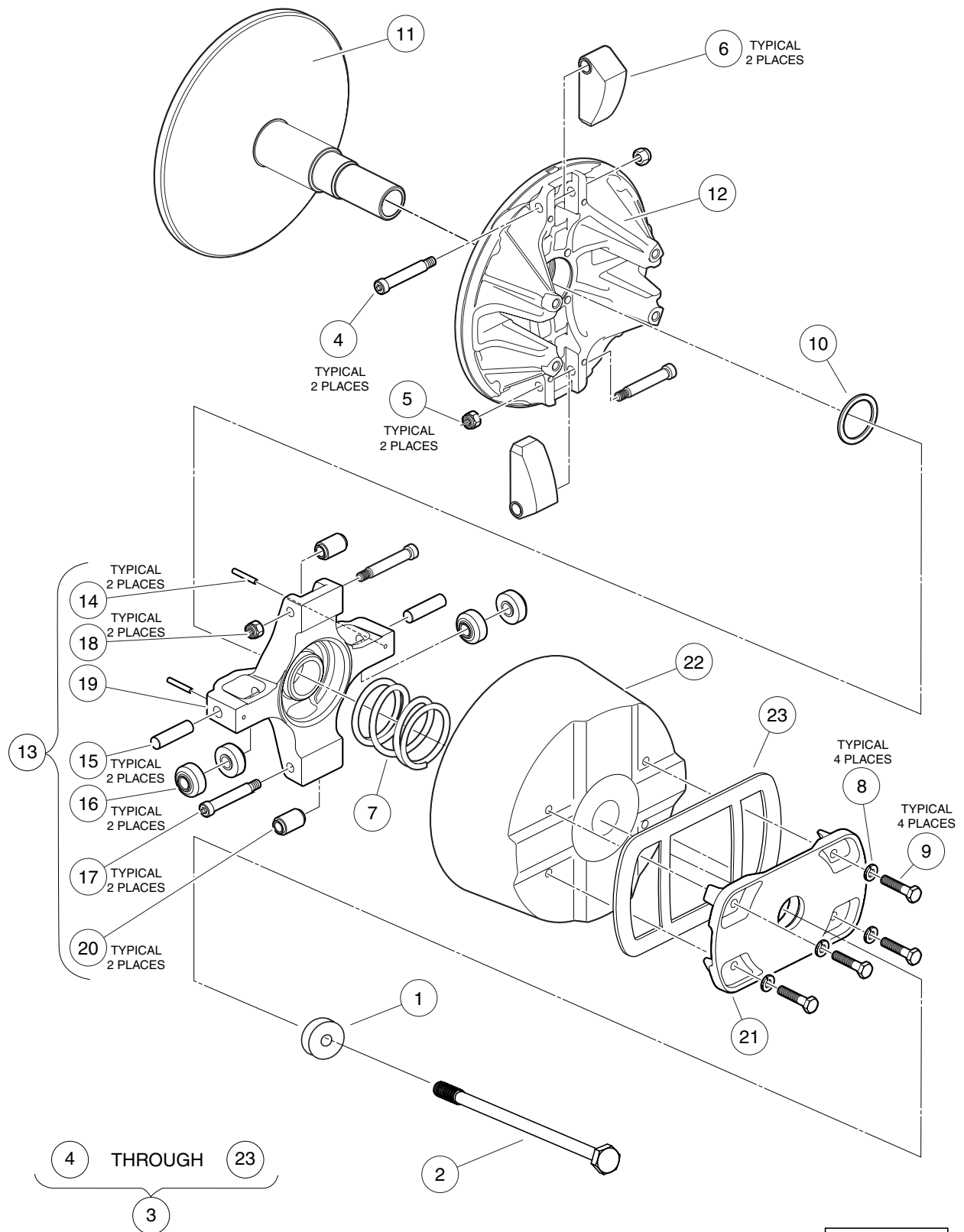
G

D

12

G

D



000007-004

# DRIVE CLUTCH – DIESEL VEHICLES

ITEM	PART NO.	DESCRIPTION	QTY
		1 2 3 4	
1	603 00 09-38	Washer, Stepped .....	1
2	603 00 12-94	Bolt, M10 X 1.5 X 160 .....	1
3	603 00 30-09	Clutch, 4x4, Diesel, W/cover (includes items 4 through 23) .....	1
4	603 00 16-11	Screw, Shlder Hex, .312 X 1.75 .....	2
5	603 00 16-13	Nut, Lock Hex, 1/14-20, Flexlc .....	2
6	603 00 16-14	Sub Assy, Wt Clutch, Diesel .....	2
7	603 00 16-16	Spring, Compression, Primary .....	1
8	603 00 16-17	Washer, Lock, H-Spring, 1/4 .....	4
9	603 00 16-18	Screw, Cap, Hex Hd, 1/4 X 1.25 .....	4
10	603 00 16-19	Shim, 1.63 X 1.33 .....	A/R
11	N/A	Subassembly, Drive Clutch .....	1
12	N/A	Subassembly, Moveable, Drive Clutch .....	1
13	N/A	Subassembly, Spider Utility, Diesel (includes items 14 through 20) .....	1
14	603 00 16-08	Pin, Spring Slotted, 1.25 X 1.0 .....	2
15	603 00 16-09	Pin, Dowel, .375 X 1.50 .....	2
16	603 00 16-10	Roller, Torque, Diesel .....	4
17	603 00 16-11	Screw, Shlder Hex, .312 X 1.75 .....	2
18	603 00 16-13	Nut, Lock Hex, 1/14-20, Flexlc .....	2
19	N/A	Spider, Drive Clutch .....	1
20	603 00 16-12	Sub Assy, Roller Weight .....	2
21	N/A	Cover, Drive Clutch .....	1
22	531 30 81-40	Cover, Clutch, 4x4 .....	1
23	531 30 81-39	Gasket, Cover, Clutch, 4x4 .....	1

12

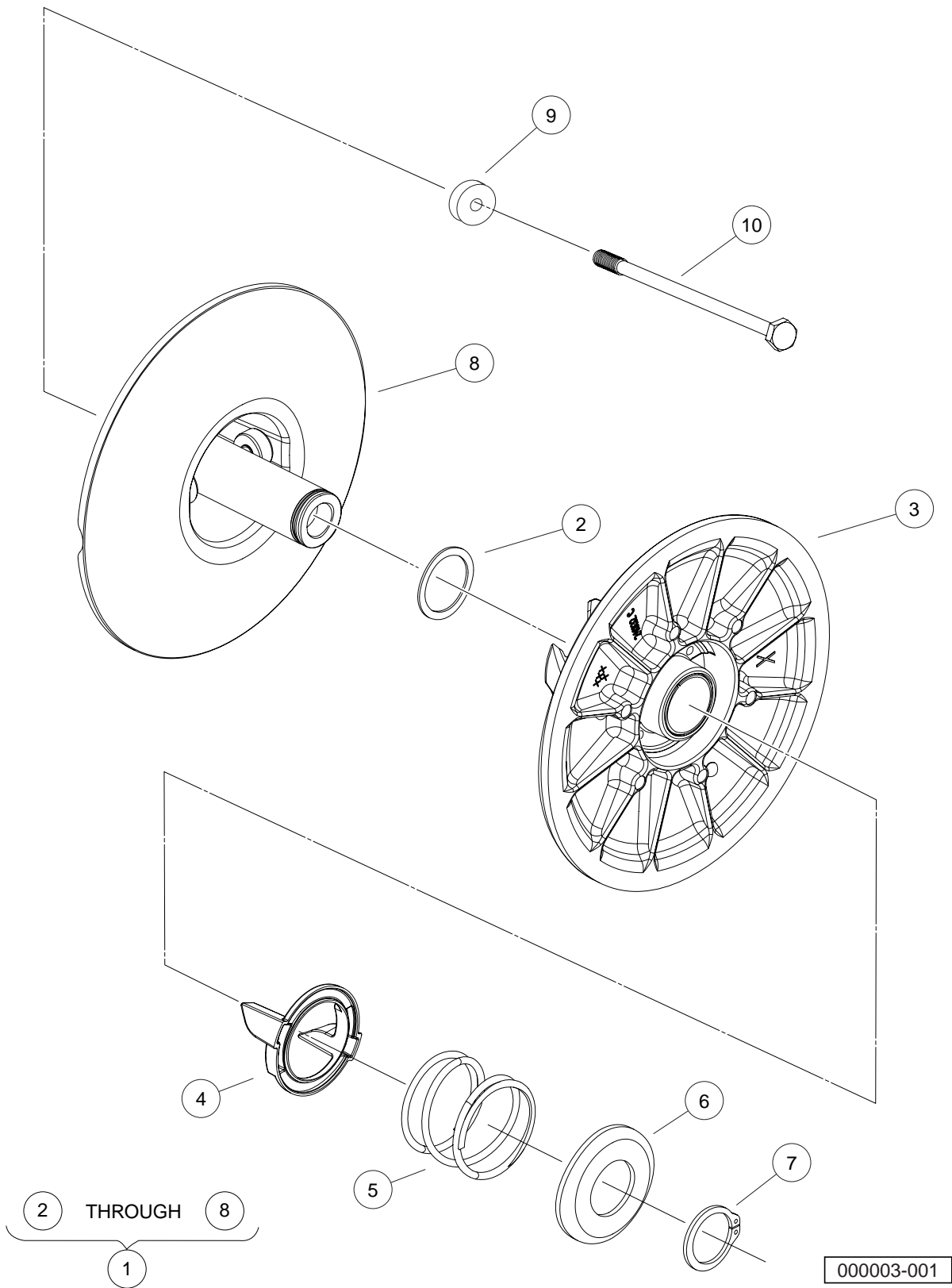
G

D

12

G

D



000003-001

# DRIVEN CLUTCH

ITEM	PART NO.	DESCRIPTION	QTY
		1 2 3 4	
1	603 00 09-06	CVT, Secondary (includes items 2 through 8) .....	1
2	603 00 16-35	Washer, Thrust, 1.53 X 1.92 .....	1
3	N/A	Sheave, Driven Clutch .....	1
4	603 00 16-36	Retainer, Spring, Inner .....	1
5	603 00 16-37	Spring, Compression, Secondary .....	1
6	603 00 16-38	Retainer, Spring, Outer .....	1
7	603 00 16-39	Ring, Retaining, External .....	1
8	N/A	Driven Clutch Base Sheave .....	1
9	603 00 09-39	Washer, Stepped .....	1
10	603 00 11-69	Bolt, M10 X 1.5 X 100 Loctite .....	1

12

G

D

12

G

D

# DRIVETRAIN COMPONENTS

---

13

G

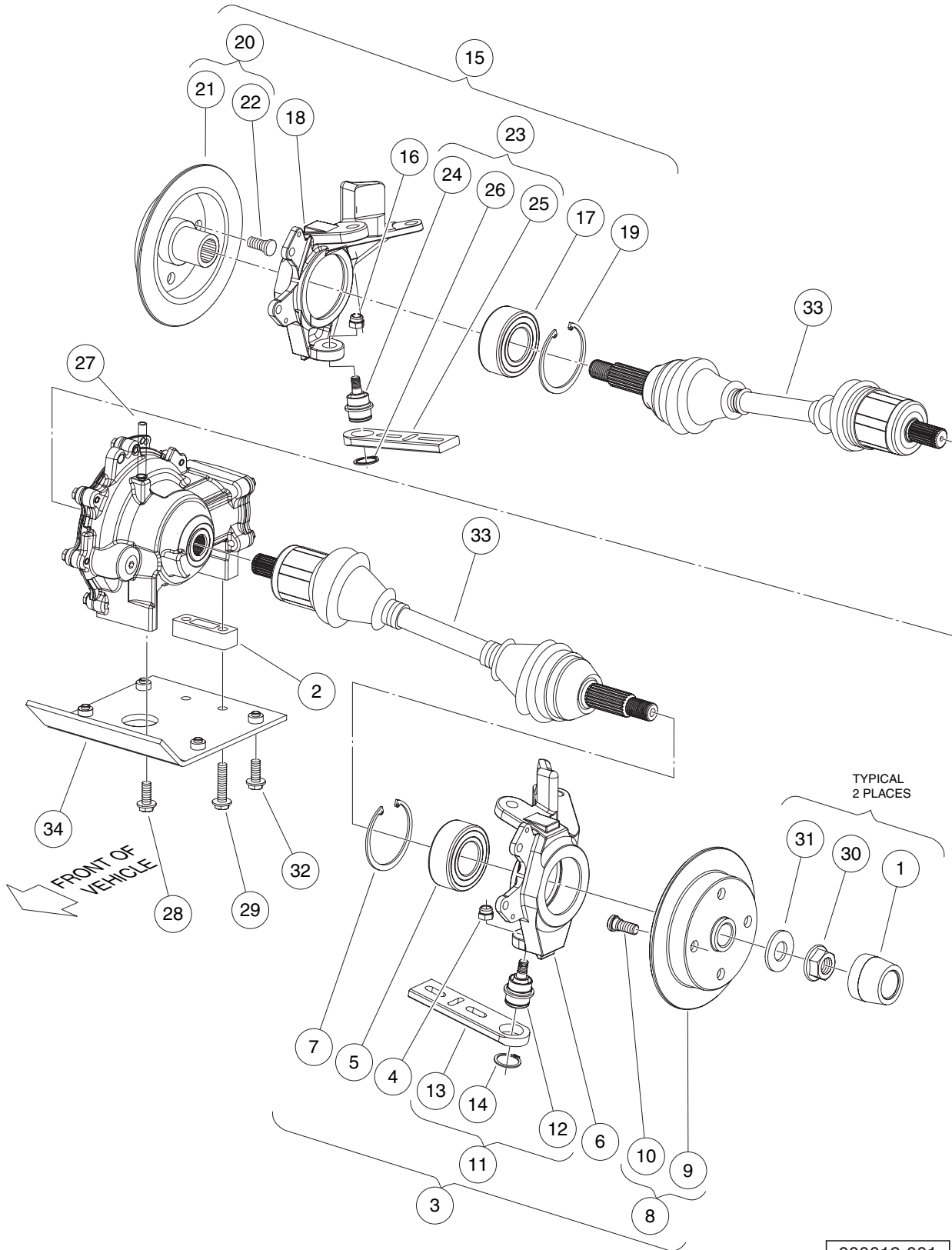
D



13

G

D



000012-001

# FRONT DIFFERENTIAL MOUNTING AND HALF SHAFTS

ITEM	PART NO.	DESCRIPTION	QTY
		1 2 3 4	
1	603 00 08-66	Center Cap, Rubber .....	2
2	603 00 09-36	Spacer Block, Diff .....	1
3	603 00 10-19	Upright Sub-Assembly, LH (includes items 4 through 11) .....	1
4	603 00 06-84	Locknut, M12-1.25 Nylon .....	1
5	603 00 08-99	Bearing .....	1
6	N/A	Upright, Left .....	1
7	603 00 09-17	Internal Retaining Ring, 80mm Bore .....	1
8	603 00 09-25	Assy, Rotor, Brake, Front (includes items 9 and 10) .....	1
9	N/A	Rotor, Brake, Front .....	1
10	603 00 11-44	Stud, Wheel Lug .....	4
11	603 00 11-53	Asm, Adjuster, Slide (includes items 12 through 14) .....	1
12	603 00 08-91	Joint, Ball .....	1
13	603 00 10-64	Slide, Adjuster .....	1
14	603 00 16-84	Ring, Retaining, Ext, 1-1/4" .....	1
15	603 00 10-20	Upright Sub-Assembly, RH (includes items 16 through 23) .....	1
16	603 00 06-84	Locknut, M12-1.25 Nylon .....	1
17	603 00 08-99	Bearing .....	1
18	N/A	Upright, Right .....	1
19	603 00 09-17	Internal Retaining Ring, 80mm Bore .....	1
20	603 00 09-25	Assy, Rotor, Brake, Front (includes items 21 and 22) .....	1
21	N/A	Rotor, Brake, Front .....	1
22	603 00 11-44	Stud, Wheel Lug .....	4
23	603 00 11-53	Asm, Adjuster, Slide (includes items 24 through 26) .....	1
24	603 00 08-91	Joint, Ball .....	1
25	603 00 10-64	Slide, Adjuster .....	1
26	603 00 16-84	Ring, Retaining, Ext, 1-1/4" .....	1
27	603 00 11-12	Hose, Vent, Front Diff .....	1
28	603 00 11-71	Bolt Flanged Head, 3/8-16x1.0 with Loctite .....	2
29	603 00 11-72	Bolt Flanged Head, 3/8-16x1.500 with Loctite .....	2
30	603 00 13-02	Nut Flg, M22 X 1.5 Mech Def .....	2
31	603 00 13-04	Washer Hard, M22 .....	2
32	603 00 16-69	Bolt, Flange Head, M10 X 1.5 X 25 .....	4
33	603 00 35-40	Shaft, Half .....	2
34	603 00 35-62	Asm, Mount, Diff Plate .....	1

13

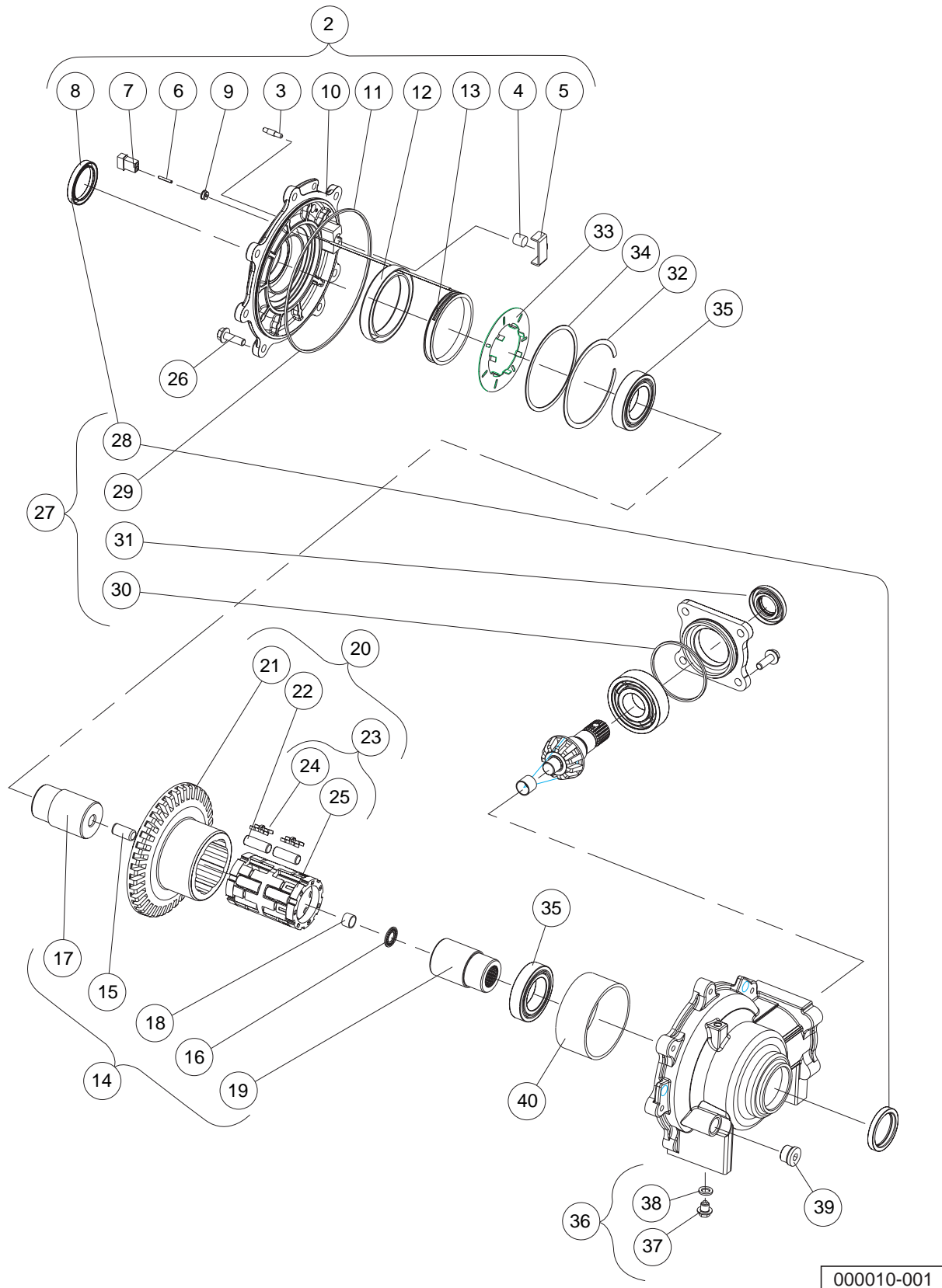
G

D

13

G

D



# FRONT DIFFERENTIAL (OUTPUT COMPONENTS)

ITEM	PART NO.	DESCRIPTION	QTY
		1 2 3 4	
1	603 00 09-13	Differential, Front * (includes items 2 through 40) .....	1
2	603 00 10-26	Kit, Assy, Output Cover Plate (includes items 3 through 13) .....	1
3	603 00 10-34	Set Screw, #10-24 UNC-3A with Patch .....	1
4	603 00 10-35	Thrust Button .....	1
5	603 00 10-36	Thrust Plate .....	1
6	N/A	Mate-N-Lock Pin .....	2
7	N/A	Mate-N-Lock Housing .....	1
8	N/A	Oil Seal .....	1
9	N/A	Grommet .....	1
10	N/A	Plate, Output Cover .....	1
11	N/A	O-Ring .....	1
12	N/A	Coil, Pocket Insert .....	1
13	N/A	Coil with Press-Fit Bobbin .....	1
14	603 00 10-27	Kit, Assy, Race Output Hub (includes items 15 through 19) .....	1
15	603 00 10-38	Pin, Dowel .....	1
16	603 00 10-39	Bearing, Needle .....	1
17	N/A	Race/Output Hub, Male .....	1
18	N/A	Bushing, PermiGlide .....	1
19	N/A	Race/Output Hub, Female .....	1
20	603 00 10-28	Kit, Assy, Clutch (includes items 21 through 23) .....	1
21	603 00 10-40	Clutch Hsg/Ring Gear, Machined .....	1
22	603 00 10-41	Kit, Roller (contains 14 rollers) .....	1
23	603 00 10-42	Kit, Assy, Roll Cage (includes items 24 and 25) .....	1
24	N/A	Kit, H-Clip Spring (contains 14 clips) .....	1
25	N/A	Roll Cage, Plastic .....	1
26	603 00 10-29	Kit, Bolt (contains 7 bolts) .....	1
27	603 00 10-30	Kit, Minor Repair (includes items 28 through 31) .....	1
28	N/A	Oil Seal .....	1
29	N/A	O-Ring .....	1
30	N/A	O-Ring .....	1
31	N/A	Oil Seal, Triple-Lipped .....	1
32	603 00 10-31	Retaining, Ring Internal .....	1
33	603 00 10-32	Plate, Armature .....	1
34	603 00 10-33	Shim, Armature, Plate .....	1
35	603 00 10-37	Bearing, Ball .....	12
36	603 00 10-43	Kit, Assy, Drain Plug (includes items 37 and 38) .....	1
37	N/A	Plug, Oil Drain .....	1
38	N/A	Washer, Nylon, 0.625 x 0.382 x 0.06 .....	1
39	603 00 10-45	Plug, Oil Fill .....	1
40	N/A	Bushing, Self-Lubricating, 80 x 85 x 20 .....	1
		* Note: This assembly also contains components listed on the following two pages.	

13

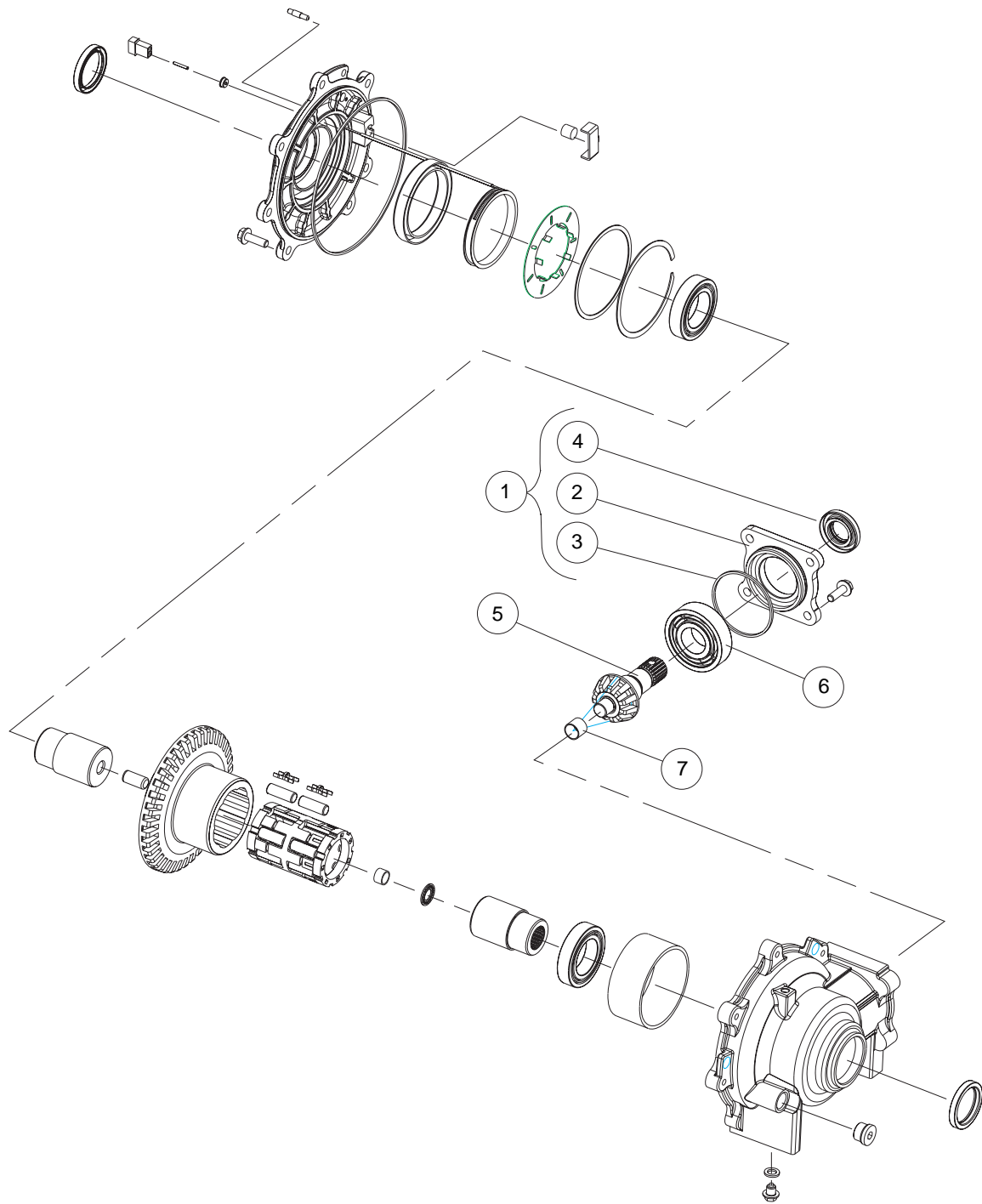
G

D

13

G

D



000010-002

# FRONT DIFFERENTIAL (INPUT COMPONENTS)

ITEM	PART NO.	DESCRIPTION	QTY
		1 2 3 4	
1	603 00 10-44	Kit, Assy, Input Cover Plate (includes items 2 through 4) .....	1
2	603 00 10-48	Cover, Input, Machined .....	1
3	N/A	O-Ring .....	1
4	N/A	Oil Seal, Triple-Lipped .....	1
5	603 00 10-46	Shaft, Pinion, Machined .....	1
6	603 00 10-47	Bearing, Ball .....	1
7	603 00 35-63	Bushing, Plain 16 Id X 15 Wide .....	1
<p style="text-align: center;">Note: This page contains a list of components internal to the front differential. See the previous pages for other front differential components.</p>			

13

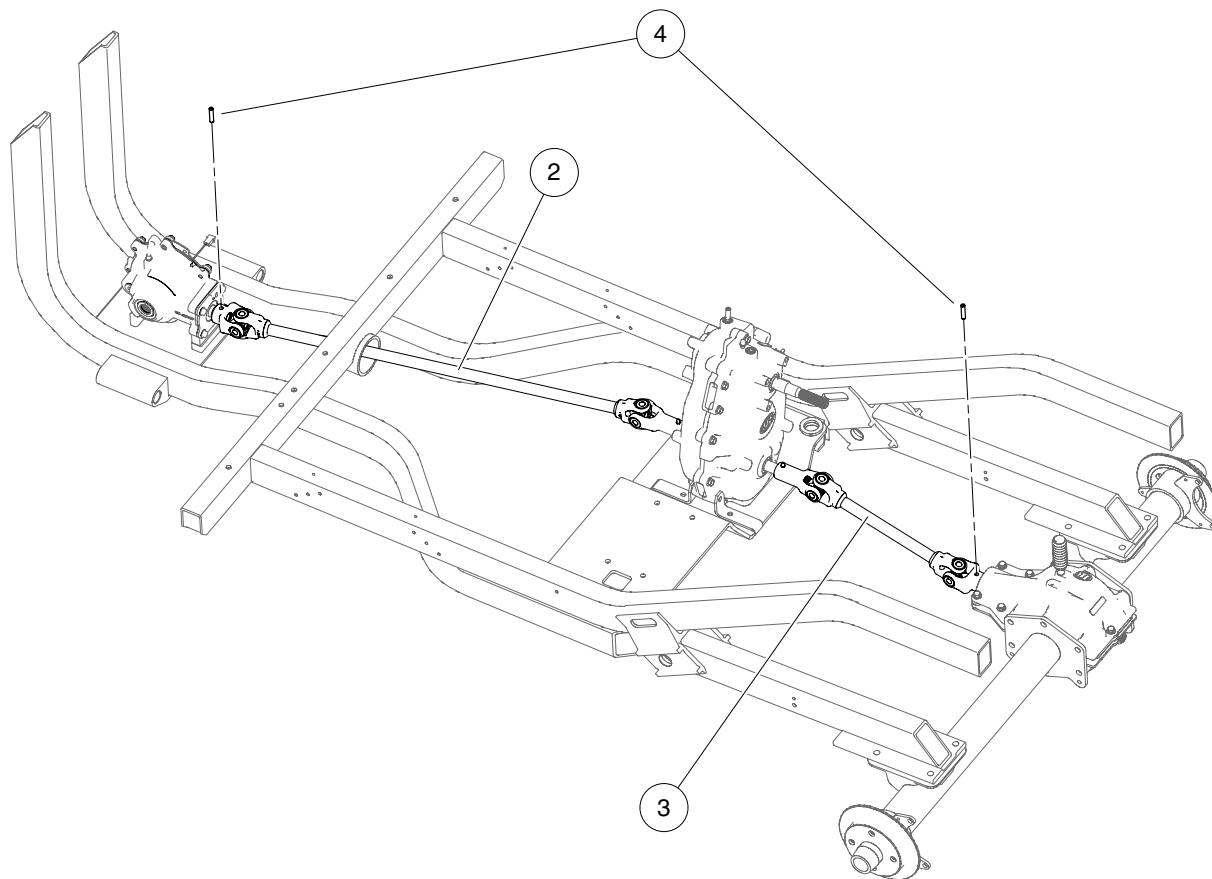
G

D

13

G

D



000091-001

# PROP SHAFTS

ITEM	PART NO.	DESCRIPTION	QTY
1	N/A	1 2 3 4 Inst, Prop Shafts, Awd (includes items 2 through 4) .....	1
2	603 00 09-12	Prop Shaft, Front .....	1
3	603 00 09-15	Prop Shaft, Rear .....	1
4	603 00 04-36	Pin, Spring, 5/16 X 1-1/2 Hd .....	2

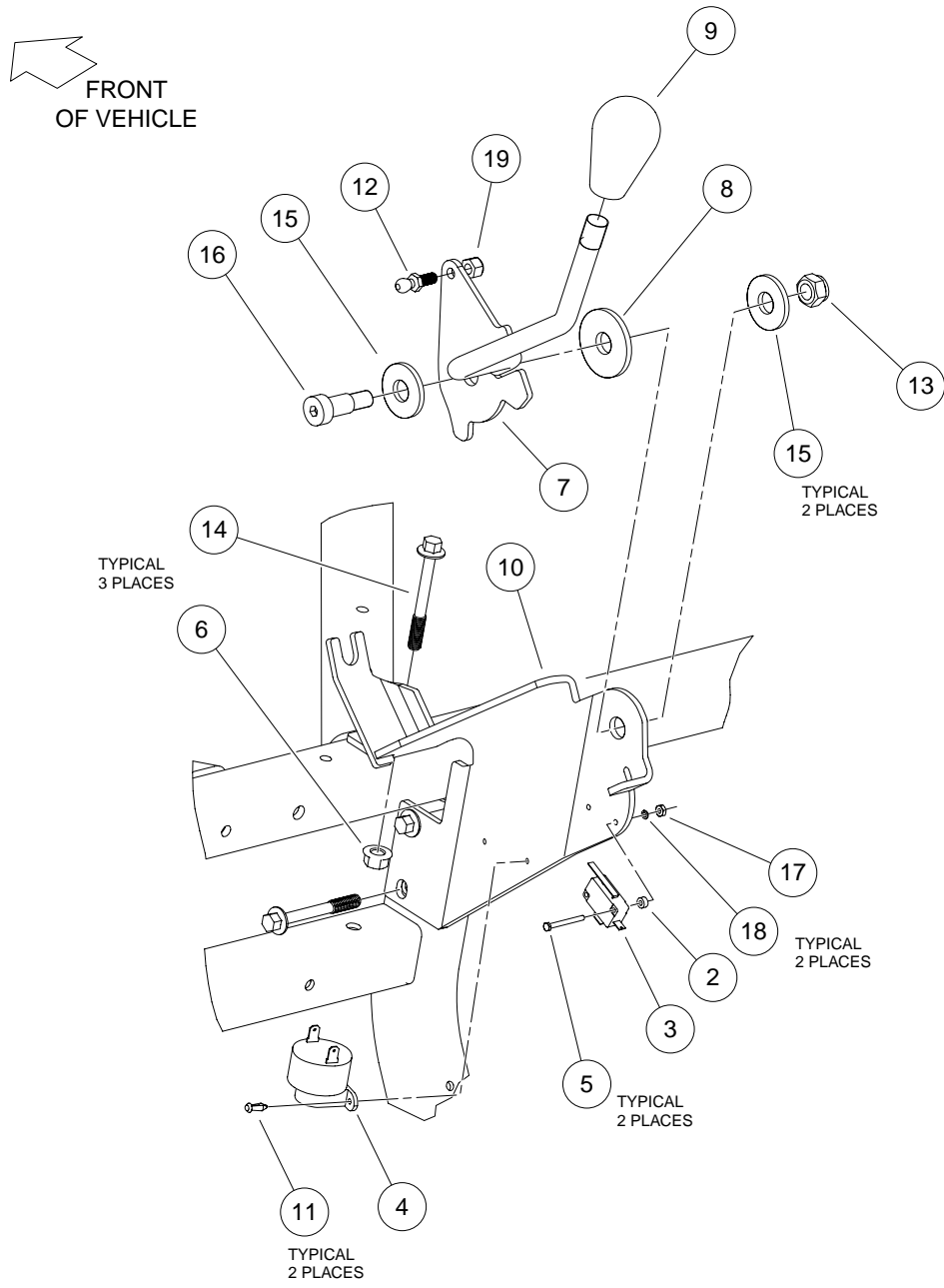
**13**  
**G**  
**D**



13

G

D



000030-001

# FORWARD/REVERSE SHIFTER ASSEMBLY

ITEM	PART NO.	DESCRIPTION	QTY
		1 2 3 4	
1	603 00 11-35	Asm, FNR (includes items 2 through 19) .....	1
2	603 00 02-34	Washer, #4 Nylon Flat .....	2
3	603 00 02-36	Switch, Limit .....	1
4	603 00 03-71	Buzzer, Reverse (9-48 VDC) .....	1
5	603 00 03-76	Screw, #4-40 X 1.125 Hx Hd Mch .....	2
6	603 00 12-98	Nut,m8,all Metal Lock .....	3
7	N/A	Weldment, FNR Shifter .....	1
8	603 00 09-23	Bushing, Fnr .....	1
9	603 00 09-24	Knob, Fnr .....	1
10	N/A	Weldment, FNR Shifter Bracket .....	1
11	N/A	Rivet, Micro Tuflok .....	2
12	603 00 12-88	Stud, Ball, .346 Dia .....	1
13	603 00 12-95	Locknut, M10x1.5 Nylon Insert .....	1
14	603 00 13-06	Bolt Flanged Head, M8 X 1.25 X 65 .....	3
15	603 00 15-99	Washer, M12 Hard Regular .....	2
16	603 00 16-00	Shoulder Bolt,m12 X 20 M10 Thd .....	1
17	603 00 00-86	Nut, #4-40 Hex Machine .....	2
18	603 00 00-87	Lockwasher, #4 Helical Split .....	2
19	603 00 00-94	Locknut, 1/4-28 Nylon Insert .....	1

13

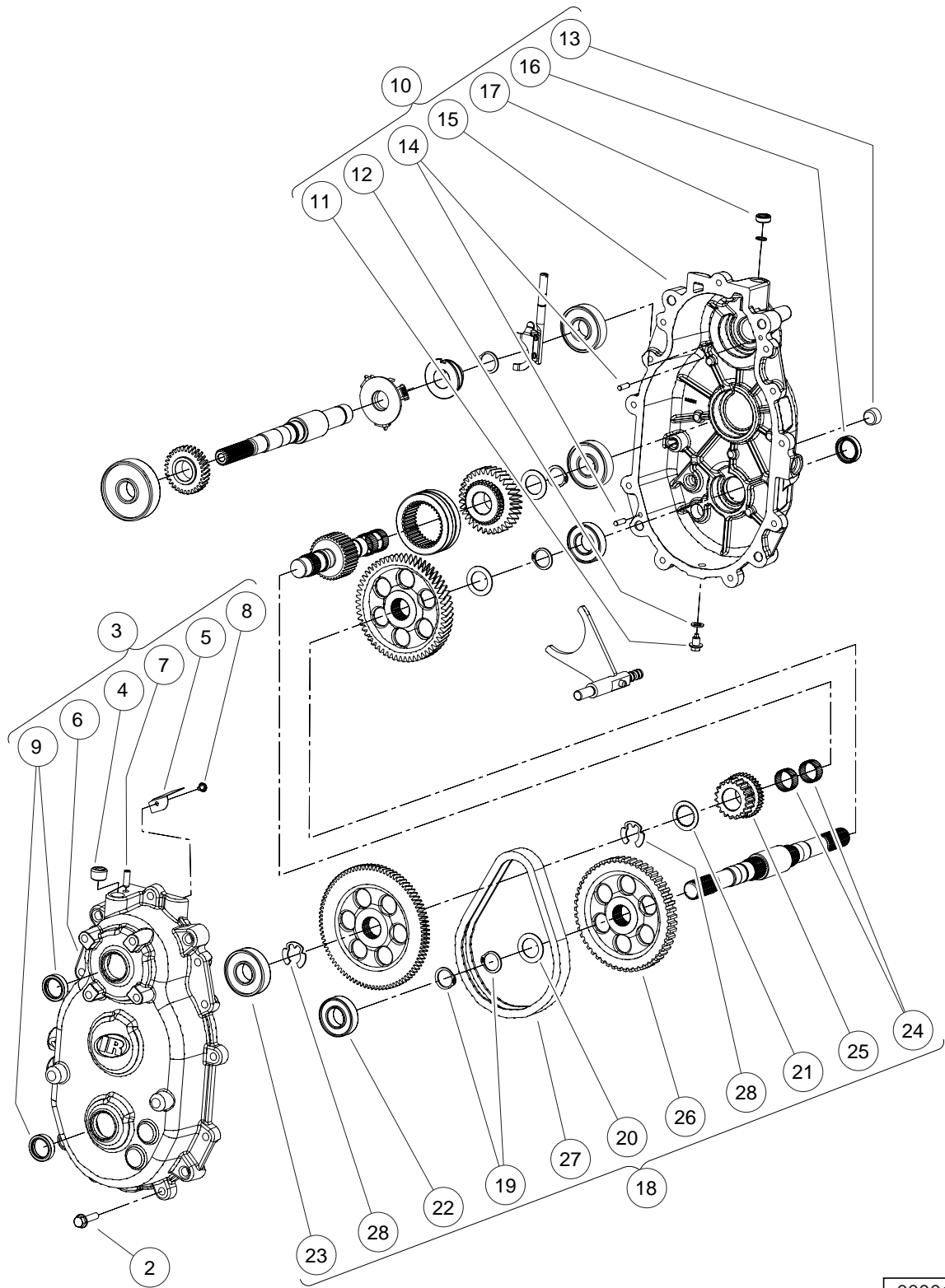
G

D

13

G

D



000016-001

# TRANSMISSION

ITEM	PART NO.	DESCRIPTION	QTY
		1 2 3 4	
1	603 00 09-04	Transmission, Parallel Shaft * (includes items 2 through 18) .....	1
2	603 00 16-22	Screw,hex Flange, M8 X 35 .....	11
3	603 00 17-80	Asm, Gear Case, Rear (includes items 4 through 9) .....	1
4	603 00 16-28	Plug, Square Skt, 1/12-14, Ptf .....	1
5	603 00 16-43	Oil, Deflector .....	1
6	N/A	Gearcase, Rear .....	1
7	603 00 16-53	Vent, Trans .....	1
8	603 00 16-54	Screw, Tapping # 10-24 X .375 .....	1
9	603 00 16-55	Seal, Triple, 25 X 35 X 7.8 .....	2
10	603 00 17-81	Asm, Gear Case, Front (includes items 11 through 17) .....	1
11	603 00 16-23	Plug,3/8-16, Hex Flange .....	1
12	603 00 16-24	Washer, .625 X .382 X .60 .....	1
13	603 00 16-28	Plug, Square Skt, 1/12-14, Ptf .....	1
14	603 00 16-41	Pin, Dowel, 6 X 20 .....	2
15	N/A	Gearcase, Front .....	1
16	603 00 16-55	Seal, Triple, 25 X 35 X 7.8 .....	1
17	603 00 16-81	Seal, Dual-Lip .....	1
18	603 00 17-87	Kit, Reverse Gear Repair (includes items 19 through 28) .....	1
19	603 00 16-42	Ring, Retaining, Basic External .....	2
20	603 00 16-45	Washer, Thrust, 1.007 X .062 .....	1
21	603 00 16-47	Washer, 26.231 X 39.167 X 1.57 .....	1
22	603 00 16-48	Bearing, Ball .....	1
23	603 00 16-49	Bearing, Ball .....	1
24	603 00 16-51	Bearing, Needle .....	2
25	N/A	Sprocket, 19-Tooth .....	1
26	N/A	Sprocket, 51-Tooth .....	1
27	N/A	Chain, .375p, .75 Wide, 60ptch .....	1
28	603 00 16-58	Ring, Retaining, E-Ring .....	2
* Note: This assembly also contains components listed on the following four pages.			

13

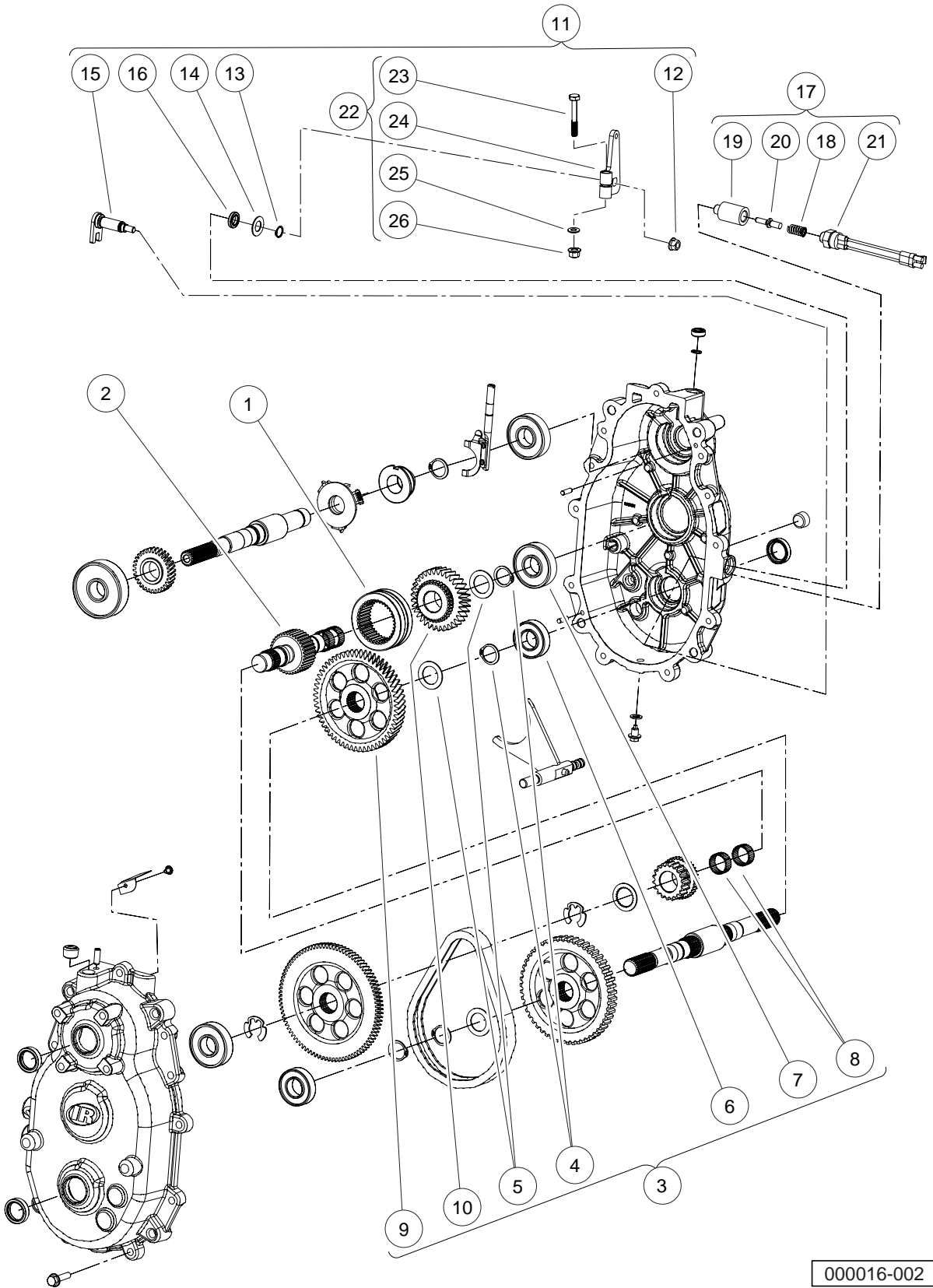
G

D

13

G

D



000016-002

# TRANSMISSION, CONTINUED

ITEM	PART NO.	DESCRIPTION	QTY
		1 2 3 4	
1	603 00 28-26	Dog, Engagement .....	1
2	603 00 28-36	Shaft, Intermediate .....	1
3	603 00 17-84	Kit, Forward Gear Repair (includes items 4 through 10) .....	1
4	603 00 16-42	Ring, Retaining, Basic External .....	2
5	603 00 16-45	Washer, Thrust, 1.007 X .062 .....	2
6	603 00 16-48	Bearing, Ball .....	1
7	603 00 16-49	Bearing, Ball .....	1
8	603 00 16-51	Bearing, Needle .....	2
9	N/A	Gear, Helical 58-Tooth .....	1
10	N/A	Gear, Helical 34-Tooth .....	1
11	603 00 17-85	Kit, Trans Shift Shaft Repair (includes items 12 through 16) .....	1
12	603 00 16-40	Nut, Lock Hex, Nylon, 5/16-24 .....	1
13	603 00 16-44	Ring, Retaining, External 9/16 .....	1
14	603 00 16-46	Washer, Flat, .58 X 1.08 X .05 .....	1
15	N/A	Weldment, Shift, Shaft .....	1
16	N/A	Seal, Dul Lip, .88 X .56 X .19 .....	1
17	603 00 17-86	Kit, Neutral Switch Repair (includes items 18 through 21) .....	1
18	N/A	Spring, .484 X .340 X 1.076 .....	1
19	N/A	Guide, Detent Bullet .....	1
20	N/A	Bullet, Detent .....	1
21	N/A	Switch, Indicator, Pollak .....	1
22	531 30 95-70	Kit, Bellcrank, D Shape, Clamp (includes items 23 through 26) .....	1
23	603 00 30-35	Bolt, 3/8-16 X 2.00 Hex Head .....	1
24	603 00 45-07	Asm, Bellcrank, D Shape, Clamp .....	1
25	603 00 00-55	Washer, 3/8 Type A Flat .....	1
26	603 00 00-95	Locknut, 3/8-16 Hex .....	1
<p>Note: This page contains a list of components internal to the transmission. See the previous pages for other transmission components.</p>			

13

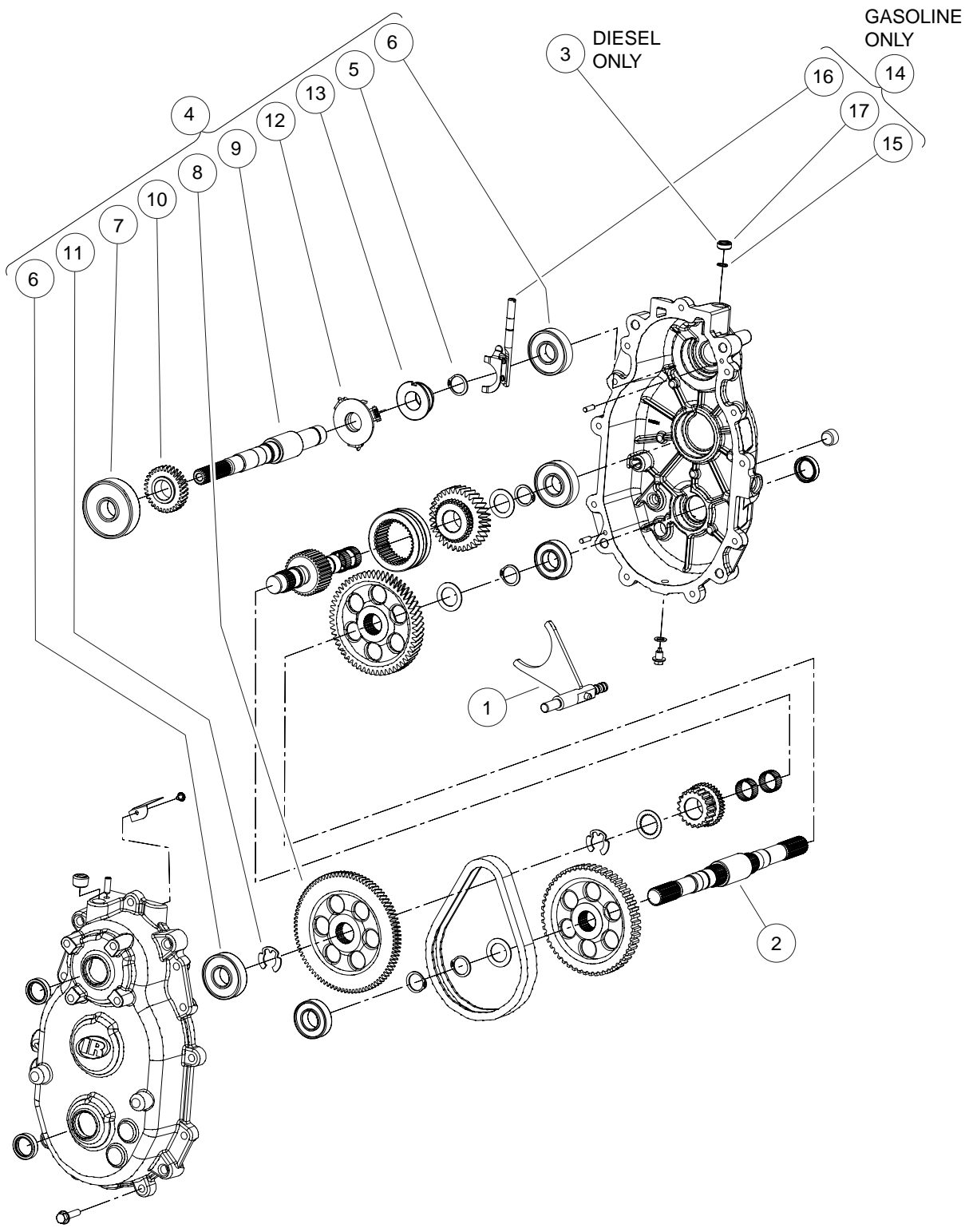
G

D

13

G

D



000016-003

# TRANSMISSION, CONTINUED

ITEM	PART NO.	DESCRIPTION	QTY
		1 2 3 4	
1	603 00 16-52	Fork, Transmission .....	1
2	603 00 28-37	Shaft, Output .....	1
3	603 00 16-56	Plug, 19mm .....	1
4	603 00 17-82	Kit, Input Shaft Repair (includes items 5 through 13) .....	1
5	603 00 16-42	Ring, Retaining, Basic External .....	1
6	603 00 16-49	Bearing, Ball .....	2
7	603 00 16-50	Bearing, Ball .....	1
8	N/A	Gear, Helical 90-Tooth .....	1
9	N/A	Shaft, Input .....	1
10	N/A	Gear, Helical, 31-tooth .....	1
11	603 00 16-58	Ring, Retaining, E-Ring .....	1
12	N/A	Sub Assy, Fly Weight .....	1
13	N/A	Sub Assy, Governor Spool .....	1
14	603 00 17-83	Kit, Governor Shaft Repair (includes items 15 through 17) .....	2
15	603 00 16-59	Ring, Retaining .....	1
16	603 00 16-60	Assy, Governor Arm .....	1
17	603 00 16-81	Seal, Dual-Lip .....	1
<p>Note: This page contains a list of components internal to the transmission. See the previous pages for other transmission components.</p>			

13

G

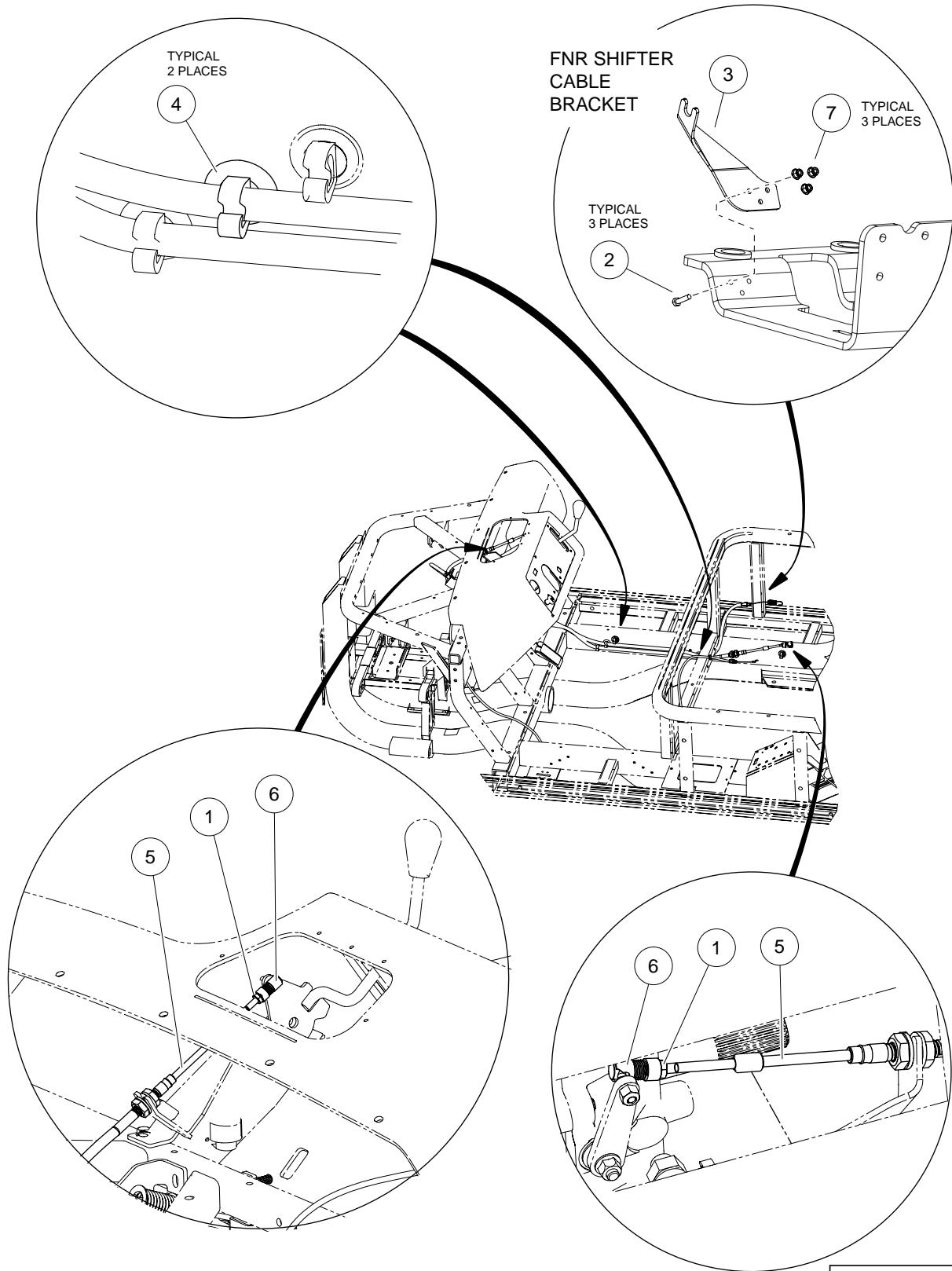
D



13

G

D



000032-001

# TRANSMISSION CABLE

ITEM	PART NO.	DESCRIPTION	QTY
		1 2 3 4	
1	603 00 01-19	Nut, 1/4-28 Hex Jam .....	2
2	603 00 01-57	Screw, M6-1.00 X 25mm Hex Cap .....	3
3	603 00 09-37	Bracket, FNR Trans Cable .....	1
4	603 00 11-43	Clip, Brake Line .....	2
5	603 00 11-89	Cable, Transmission Shift .....	1
6	603 00 12-89	Joint, Ball, .346 Dia .....	2
7	603 00 13-17	Nut Flg, M6 X 1.0 Nylon .....	3

13

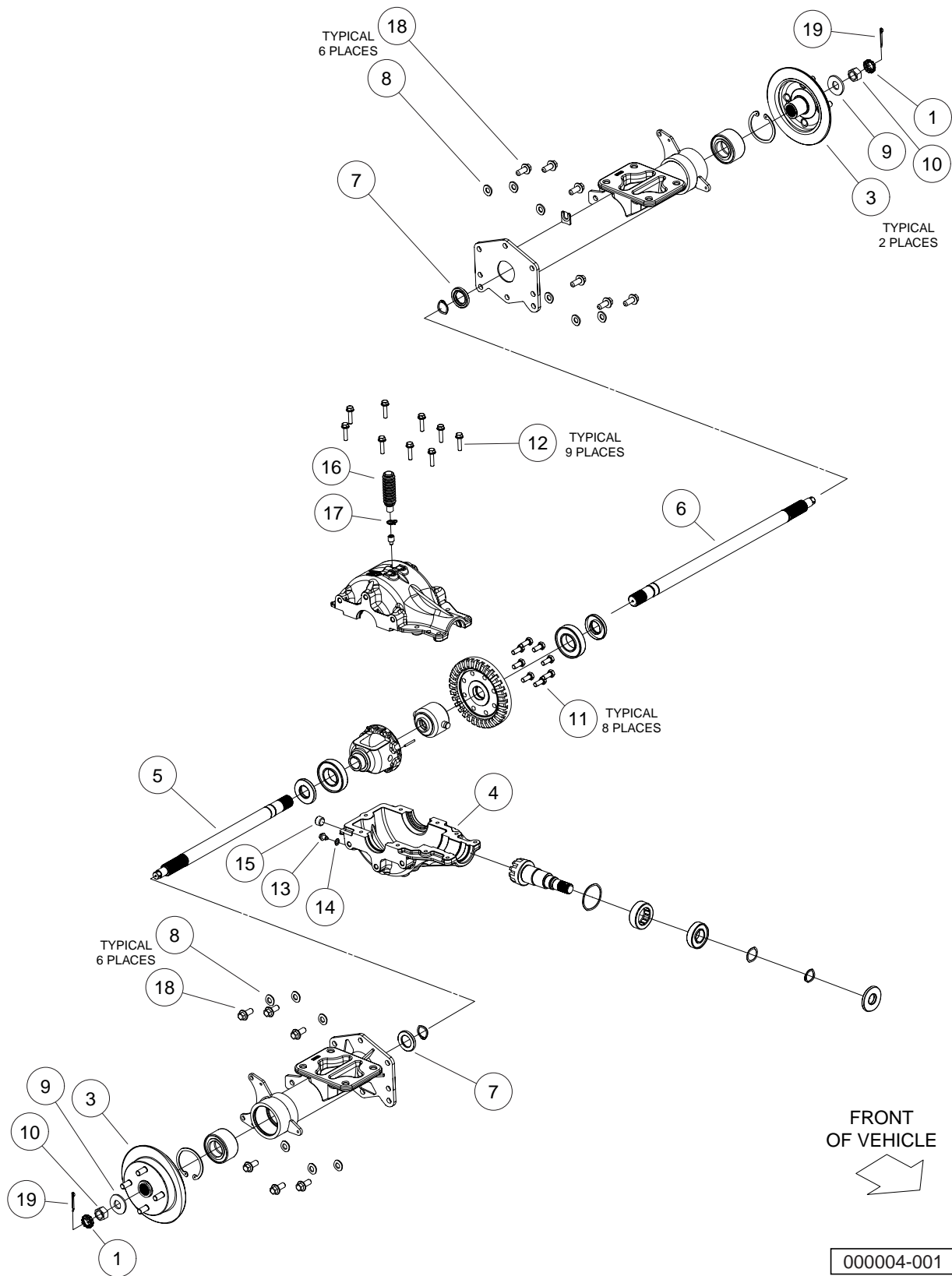
G

D

13

G

D



# REAR DIFFERENTIAL

ITEM	PART NO.	DESCRIPTION	QTY
		1 2 3 4	
1	603 00 09-55	Axle, Rear, Guard Mounts (includes items 2 through 19) .....	1
2	603 00 08-67	Locking Cap, Nut .....	2
3	603 00 09-26	Assy, Rotor, Brake, Rear .....	2
4	603 00 10-72	Gearcase, Lower, Machined .....	1
5	603 00 11-16	Axle, Right-hand .....	1
6	603 00 11-17	Axle, Left-Hand .....	1
7	603 00 15-90	Washer, counterbored 51 X 30 .....	2
8	603 00 15-91	Washer, Belleville, 1.063 X .043 .....	12
9	603 00 15-92	Washer, Belleville, 49 X 4 .....	2
10	603 00 15-93	Nut, Hex, M20 X 1.5 , Modified .....	2
11	603 00 16-21	Screw, M10 X 25 .....	8
12	603 00 16-22	Screw, hex Flange, M8 X 35 .....	9
13	603 00 16-23	Plug, 3/8-16, Hex Flange .....	1
14	603 00 16-24	Washer, .625 X .382 X .60 .....	1
15	603 00 16-28	Plug, Square Skt, 1/12-14, Ptf .....	1
16	603 00 16-29	Bellows, Vent, Upper Housing .....	1
17	603 00 16-30	Clamp, Hose, Dw-9.5 .....	1
18	603 00 16-32	Screw, Hex Fl, M12 X 1.75 X 30 .....	12
19	603 00 16-33	Pin, Cotter, 5/32 X 1.25 .....	2

13

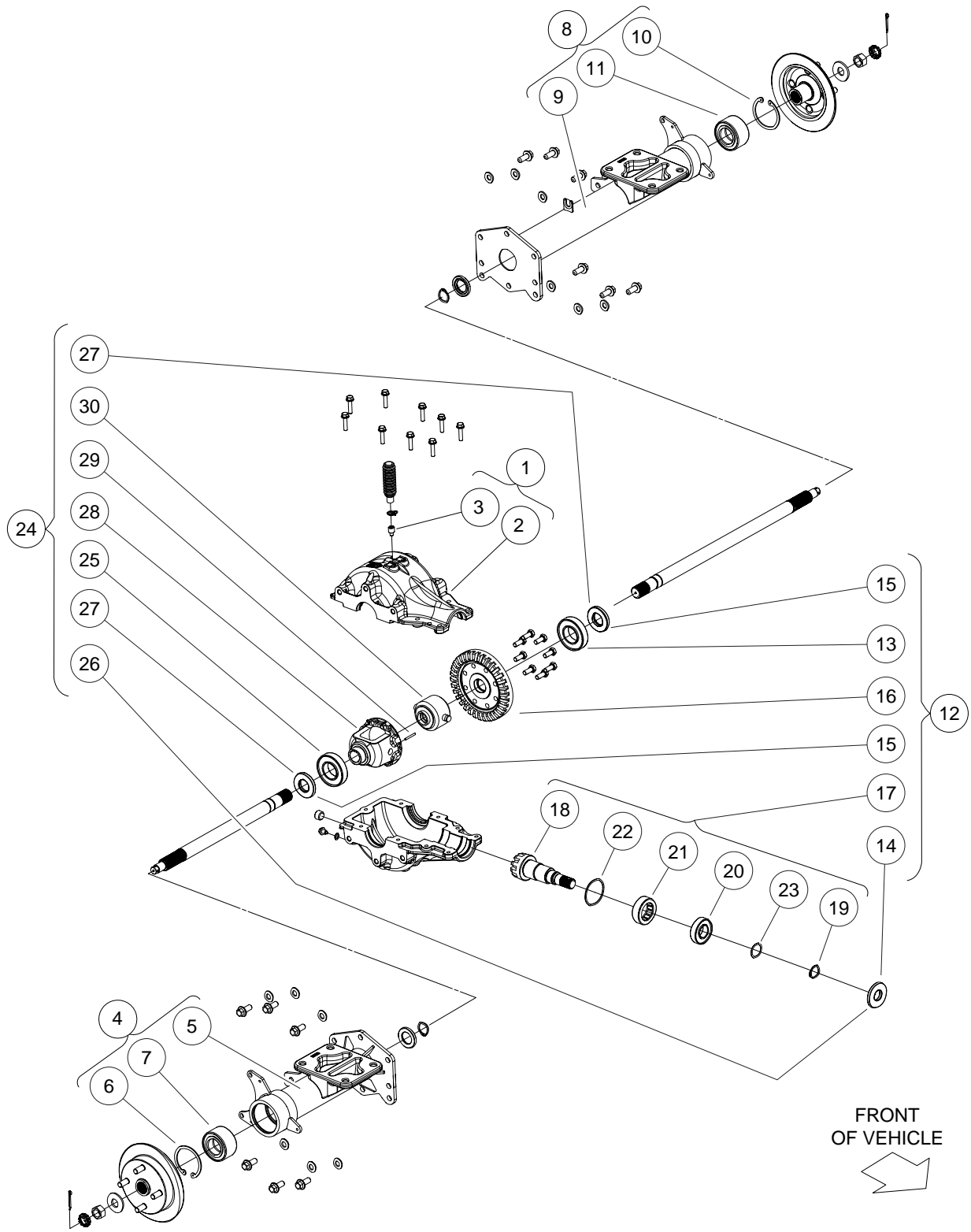
G

D

13

G

D



000004-002

# REAR DIFFERENTIAL, CONTINUED

ITEM	PART NO.	DESCRIPTION	QTY
		1 2 3 4	
1	603 00 17-88	Asm, Gearcase, Upper (includes items 2 and 3) .....	1
2	N/A	Gearcase, Upper, Machined .....	1
3	603 00 16-26	Vent, Top, Upper Housing .....	1
4	603 00 17-89	Asm, Axle Tube, RH (includes items 5 through 7) .....	1
5	N/A	Weldment, Axle Tube Rh .....	1
6	603 00 11-18	Ring, Retaining, Internal .....	1
7	603 00 11-23	Bearing .....	1
8	603 00 17-90	Asm, Axle Tube, LH (includes items 9 through 11) .....	1
9	N/A	Weldment, Axle Tube Lh .....	1
10	603 00 11-18	Ring, Retaining, Internal .....	1
11	603 00 11-23	Bearing .....	1
12	603 00 17-91	Kit, Rear Axle Gear Repair (includes items 13 through 17) .....	1
13	603 00 11-22	Bearing, Ball .....	1
14	603 00 11-24	Seal, Dual-Lip 25x 62x 7tc .....	1
15	603 00 11-25	Seal, Dual-Lip 30x 62x 8tc .....	2
16	N/A	Gear, Ring, 33-Tooth .....	1
17	N/A	Asm, Pinion W/ Bearings (includes items 18 through 23) .....	1
18	N/A	Pinion, 10t Machined .....	1
19	603 00 11-19	Ring, Retaining, External .....	1
20	603 00 11-20	Bearing, Ball .....	1
21	603 00 11-21	Bearing, Needle, Drawn Shell .....	1
22	603 00 16-25	Washer, 2.625 X 2.367 X .06 .....	1
23	603 00 16-31	Shim, 1.50 X 1.189 X .008 .....	1
24	603 00 17-79	Asm, Differential & Carrier (includes items 25 through 30) .....	1
25	603 00 11-22	Bearing, Ball .....	1
26	603 00 11-24	Seal, Dual-Lip 25x 62x 7tc .....	1
27	603 00 11-25	Seal, Dual-Lip 30x 62x 8tc .....	2
28	603 00 35-74	Housing, Differential, Mach .....	1
29	603 00 40-08	Pin, Dowel, 4 X 35 .....	1
30	603 00 35-75	Asm, Locker, Nongrease/Spacers .....	1

**13**

**G**

**D**

**13**

**G**

**D**

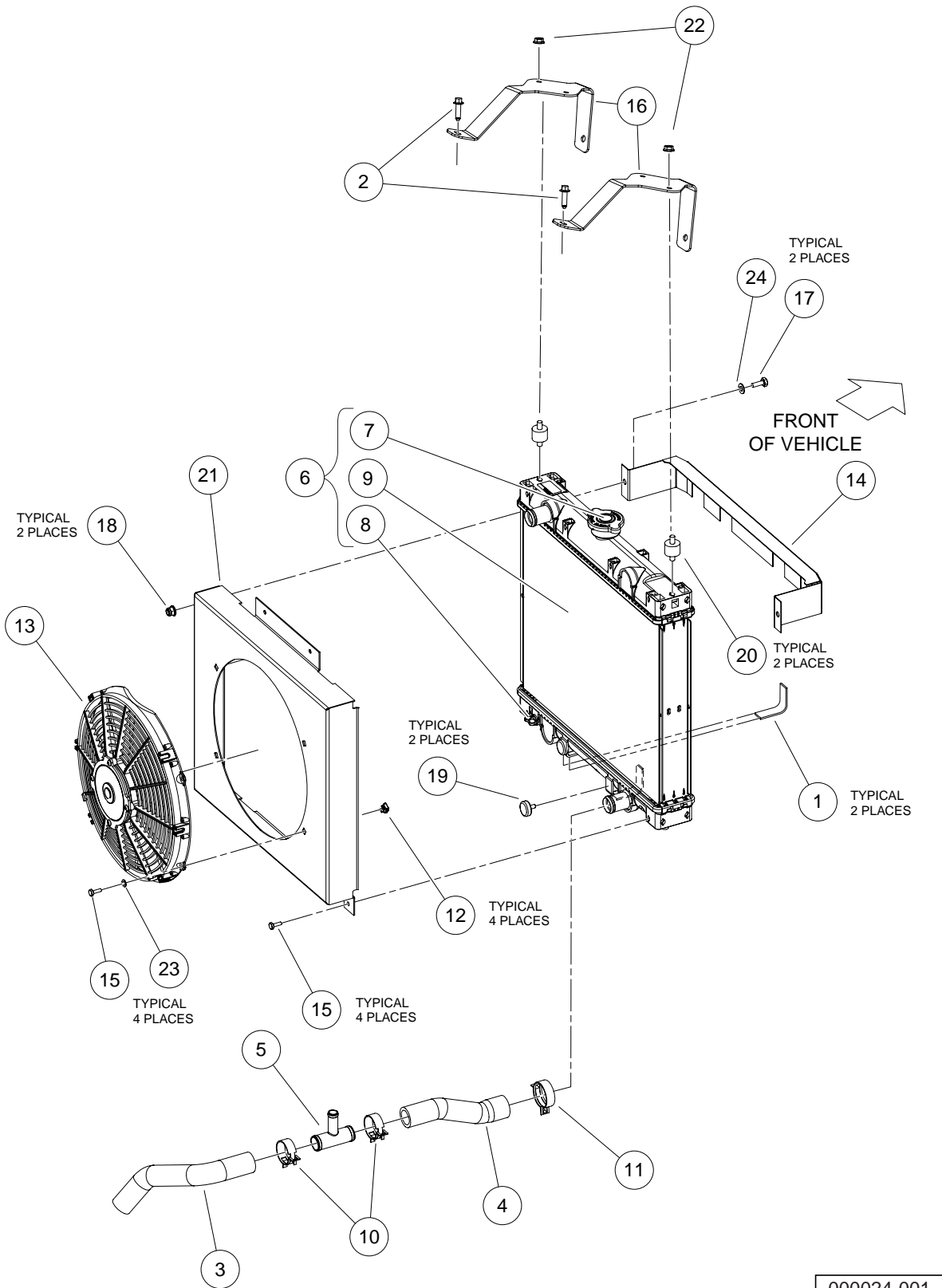
# RADIATOR AND COOLANT SYSTEM (DIESEL VEHICLES)

---

14

*D*





000024-001

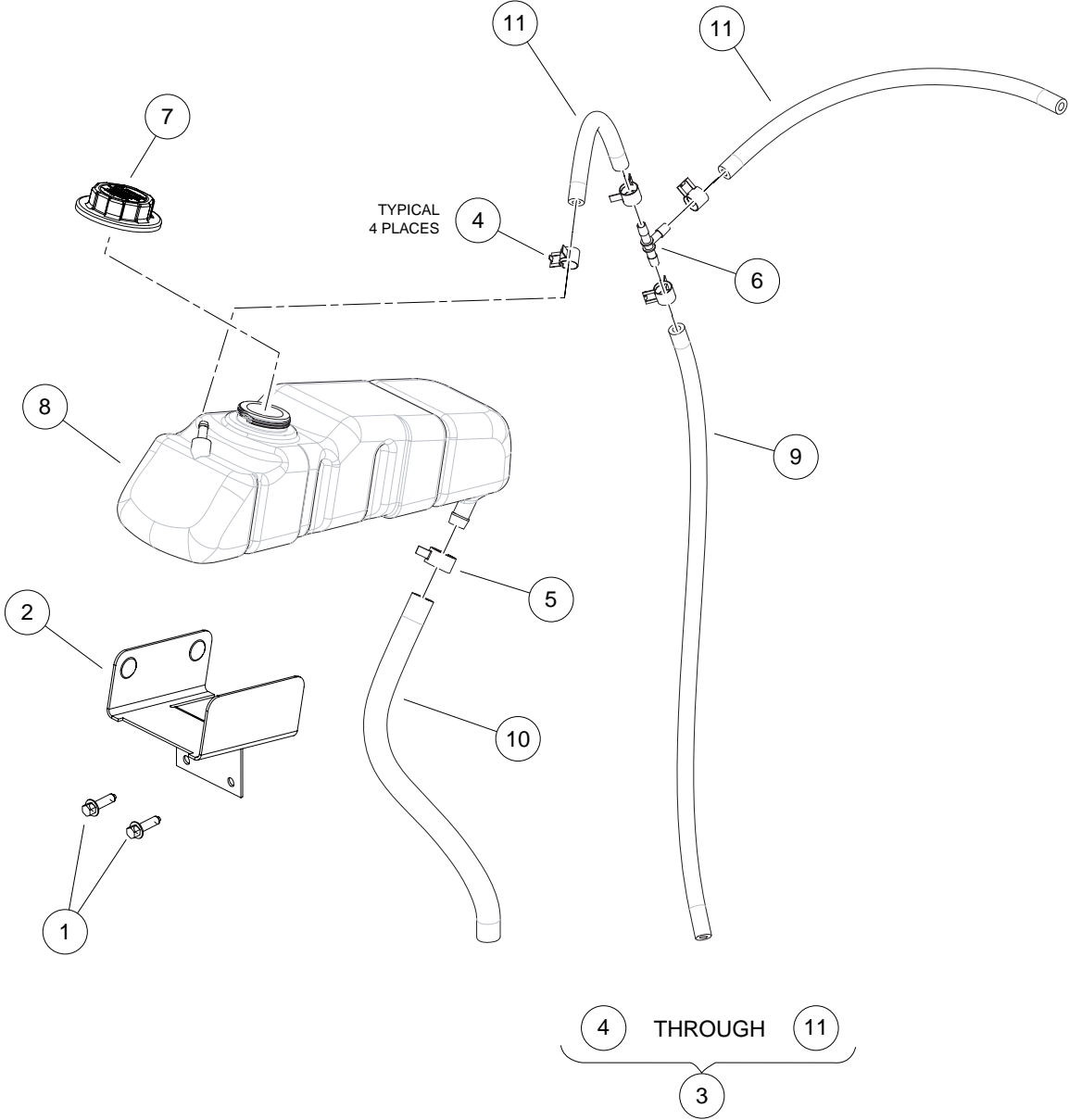
# RADIATOR

14

D

ITEM	PART NO.	DESCRIPTION	QTY
		1 2 3 4	
1	603 00 02-29	Tape, Vinyl Foam 1/8" x 3/4" .....	A/R
2	603 00 08-69	Screw, M8X1.25X30, Hex .....	2
3	603 00 09-29	Hose, Coolant Lower Pipe .....	1
4	603 00 09-30	Hose, Coolant Lower Rad .....	1
5	603 00 09-34	Tee, Coolant Fill .....	1
6	603 00 09-64	Exchanger, Engine Coolant (includes items 7 through 9) .....	1
7	603 00 17-64	Cap, Radiator .....	1
8	603 00 17-65	Drain Cock, Radiator .....	1
9	N/A	Radiator .....	1
10	603 00 09-73	Clamp, Hose, Ctb 35mm .....	2
11	603 00 09-74	Clamp, Hose, Ctb 38mm .....	1
12	603 00 09-77	Nut, Self Retaining .....	4
13	603 00 10-21	Fan, Cooling 12 In Elect .....	1
14	603 00 10-76	Guard, Radiator, Top .....	1
15	603 00 11-67	Bolt, M6 X 1 X 16 Loctite .....	8
16	603 00 11-84	Bracket, Upper Radiator Mount .....	2
17	603 00 11-90	Bolt, M8 X 1.25 X 20 .....	2
18	603 00 13-08	Lock Nut, Flg M8 X 1.25 Nylon .....	2
19	603 00 15-98	Bumper, 13mm Stud .....	2
20	603 00 16-01	Isolator, Twin-Stud .....	2
21	603 00 11-85	Shroud, Radiator Fan .....	1
22	603 00 05-12	Nut Flg, M8 X 1.25 Serrated .....	2
23	603 00 04-42	Washer, M6 .....	4
24	603 00 04-50	Washer, M8 Hard .....	2

DIESEL VEHICLE



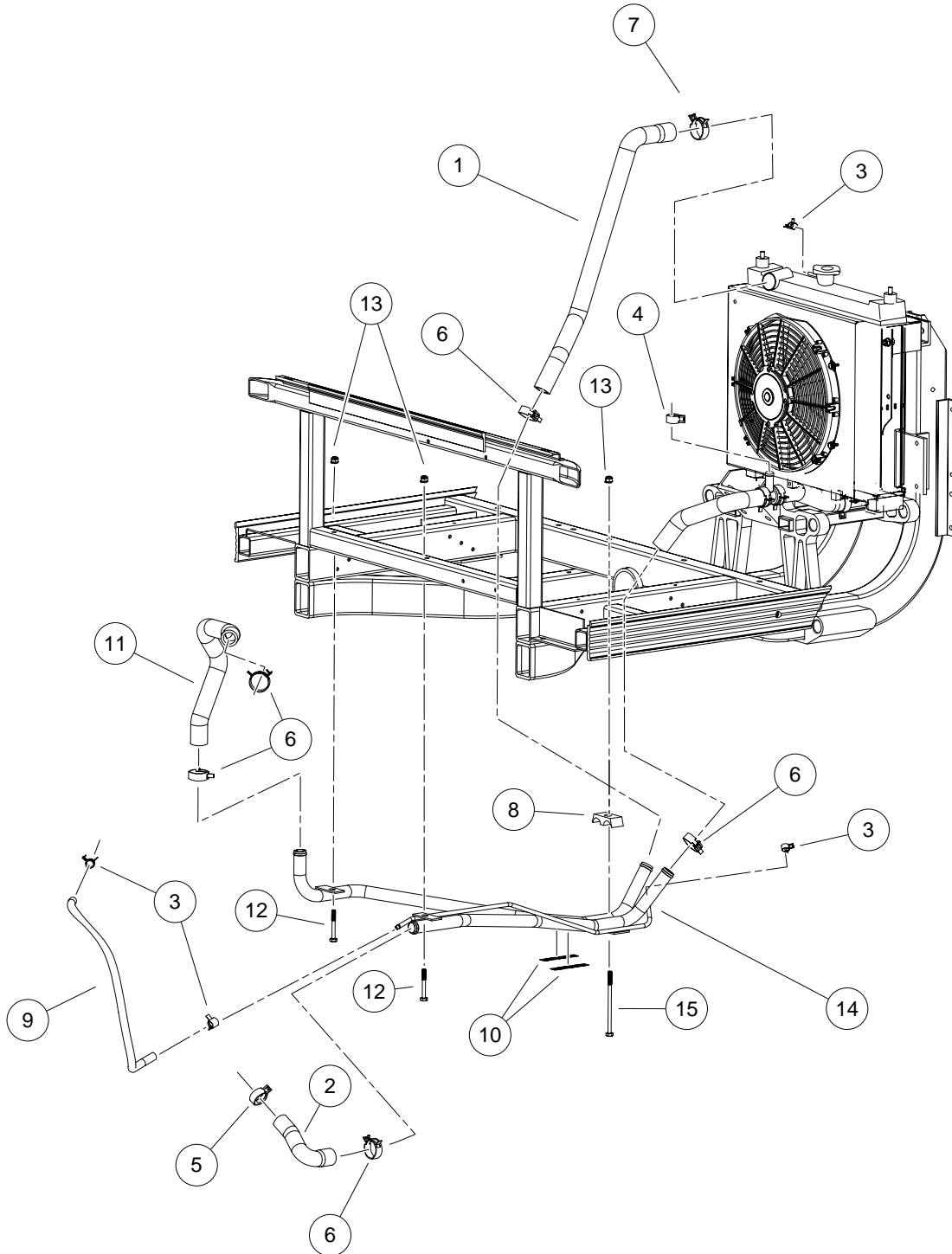
000078-001

# COOLANT EXPANSION TANK

ITEM	PART NO.	DESCRIPTION	QTY
		1 2 3 4	
1	603 00 08-69	Screw, M8X1.25X30, Hex .....	2
2	603 00 11-10	Bracket, Coolant Bottle .....	1
3	N/A	Asm, Tank, Expansion (includes items 4 through 11) .....	1
4	603 00 09-70	Clamp, Hose, CTB 15mm .....	4
5	603 00 09-71	Clamp, Hose, CTB 22mm .....	1
6	603 00 09-80	Fitting, Tee .....	1
7	603 00 10-02	Cap, Radiator .....	1
8	603 00 10-14	Tank, Expansion .....	1
9	603 00 10-17	Hose, Tee To Vent Tube, Coolnt .....	1
10	603 00 09-78	Hose, Clnt, 5/8 Sae J20r3 Bulk .....	A/R
11	603 00 09-79	Hose, Clnt 5/16 Sae J20r3 Bulk .....	A/R

14

D



000079-001

# COOLANT PIPES AND HOSES

ITEM	PART NO.	DESCRIPTION	QTY
		1 2 3 4	
1	603 00 09-27	Hose, Coolant Upper Rad .....	1
2	603 00 09-28	Hose, Coolant Lower Eng .....	1
3	603 00 09-70	Clamp, Hose, CTB 15mm .....	4
4	603 00 09-71	Clamp, Hose, CTB 22mm .....	1
5	603 00 09-72	Clamp, Hose, Ctb 30mm .....	1
6	603 00 09-73	Clamp, Hose, Ctb 35mm .....	5
7	603 00 09-74	Clamp, Hose, Ctb 38mm .....	1
8	603 00 10-03	Clamp, Bar .....	1
9	603 00 10-16	Hose, Vent Tube To Eng, Coolnt .....	1
10	603 00 11-02	Decal, Hot Surface Warning .....	2
11	603 00 11-55	Hose, Coolant, Return, Engine .....	1
12	603 00 13-06	Bolt Flanged Head, M8 X 1.25 X 65 .....	2
13	603 00 13-08	Lock Nut, Flg M8 X 1.25 Nylon .....	3
14	603 00 13-26	Weldment, Group, Coolant Pipe (includes items 15 through 19) .....	1
15	N/A	Pipe, Coolant Upper .....	1
16	N/A	Pipe, Coolant Lower .....	1
17	N/A	Tab, Rear Mntg, Coolant Pipe .....	2
18	N/A	Pipe, Vent, Coolant .....	1
19	N/A	Tab, Cooling Pipe Mount .....	1
20	603 00 04-53	Bolt, M8 X 1.25 X 130 .....	1

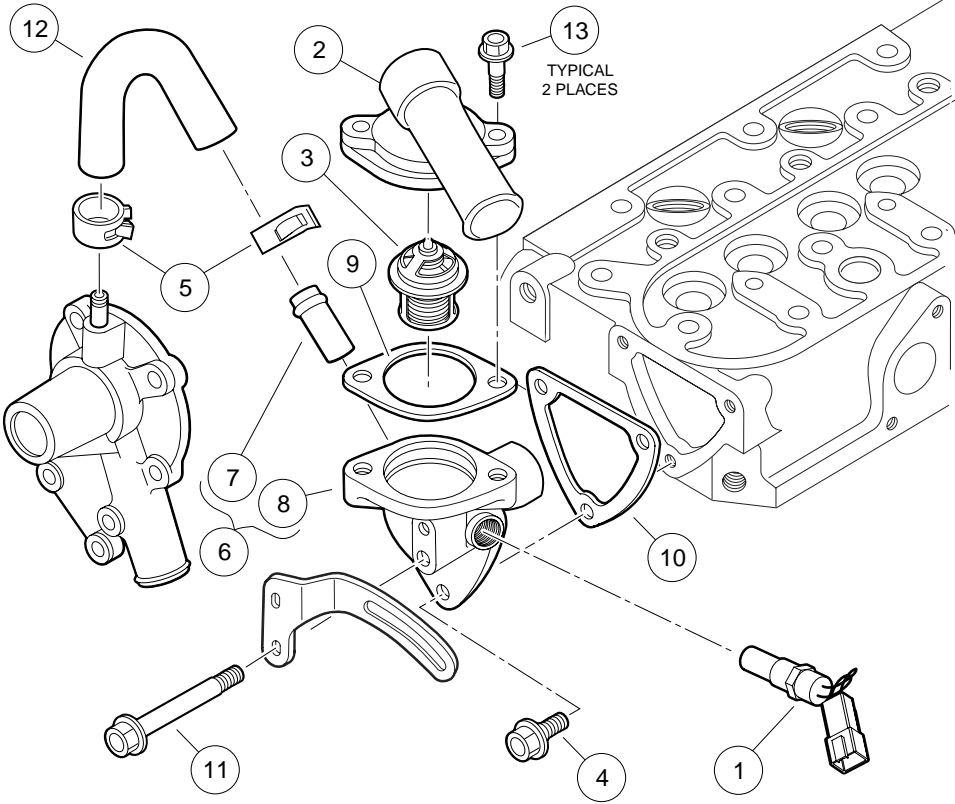
14

D

14

DIESEL VEHICLE

D



FRONT  
OF VEHICLE  
↙

000059-001

# WATER FLANGE AND THERMOSTAT

ITEM	PART NO.	DESCRIPTION	QTY
		1 2 3 4	
1	603 00 09-63	Sensor, Coolant Temp .....	1
2	603 00 13-41	Cover, Thermostat .....	1
3	603 00 13-42	Assy, Thermostat .....	1
4	603 00 13-43	Bolt, M6 X 1 X 20 .....	2
5	603 00 13-50	Band, Pipe .....	2
6	603 00 13-51	Flange, Water (includes items 7 and 8) .....	1
7	603 00 18-28	Pipe, Water Return, D722 .....	1
8	N/A	Flange, Water .....	1
9	603 00 13-53	Gasket, Thermostat .....	1
10	603 00 14-60	Gasket, Water Flange .....	1
11	603 00 17-47	Bolt, Alt, D722, Stay Lower .....	1
12	603 00 17-48	Pipe, Water Return, D722 .....	1
13	603 00 17-49	Bolt, D722, Thermostat Cover .....	2

14

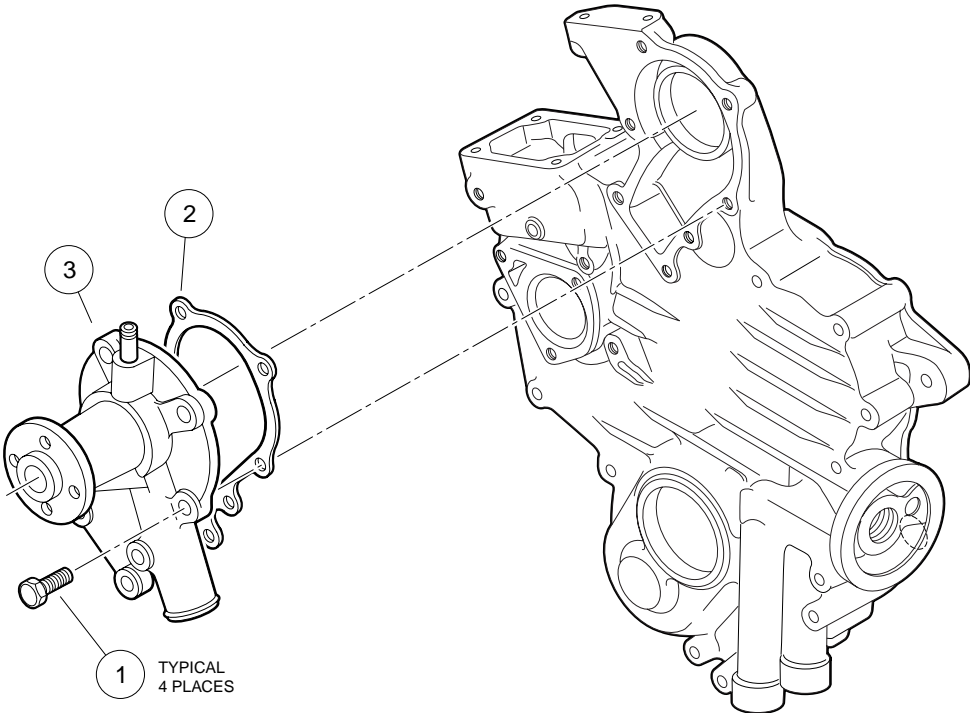
D



14

DIESEL VEHICLE

D



FRONT  
OF VEHICLE

000060-001

# WATER PUMP

ITEM	PART NO.	DESCRIPTION	QTY
		1 2 3 4	
1	603 00 12-67	Bolt, M6 X 1 X 22 .....	4
2	603 00 13-49	Gasket, Water Pump, D722 .....	1
3	603 00 17-50	Water Pump Assembly .....	1

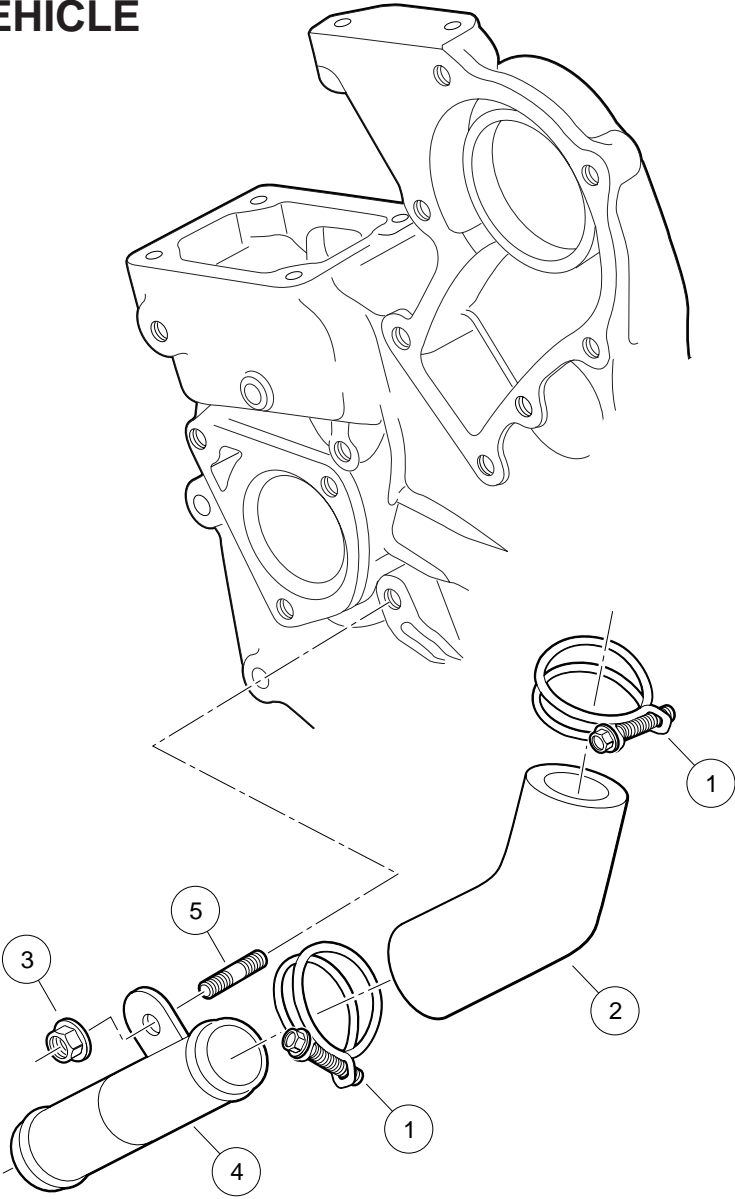
14

D

14

DIESEL VEHICLE

D



FRONT  
OF VEHICLE  
↙

000061-001

# BLOCK COOLANT PIPE

ITEM	PART NO.	DESCRIPTION	QTY
		<b>1 2 3 4</b>	
1	603 00 13-44	Band, Pipe, with Nut .....	2
2	603 00 13-45	Pipe, Water, Bent .....	1
3	603 00 13-46	Nut, Flange, M6 .....	1
4	603 00 13-47	Pipe, Water, Bent .....	1
5	603 00 13-48	Stud, M6 X 15 .....	1

**14**

**D**

14

*D*

# MAINTENANCE AND SERVICE TOOLS

---

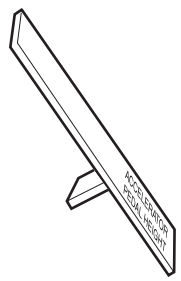
15

G

E

D

**15  
G  
E  
D**



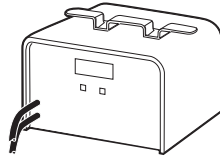
1



2



3



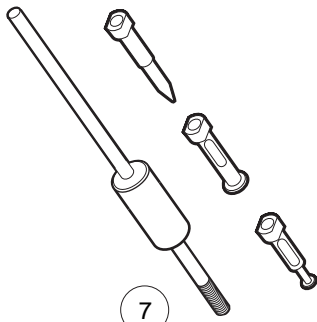
4



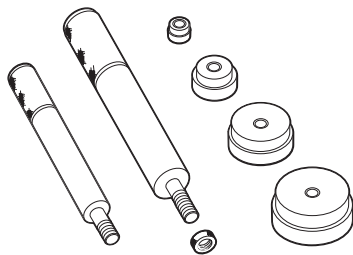
5



6



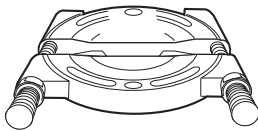
7



8



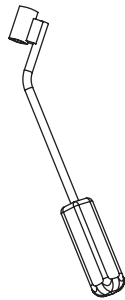
9



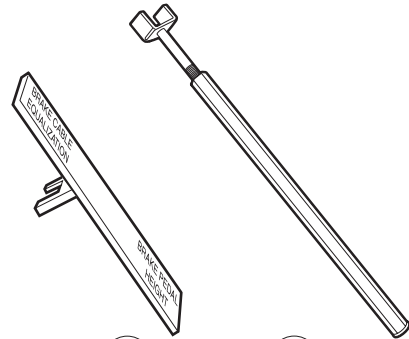
10



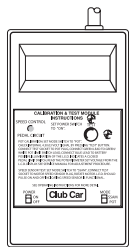
11



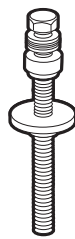
12



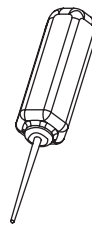
13



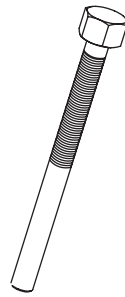
16



17



18



19

# MAINTENANCE AND SERVICE TOOLS

ITEM	PART NO.	DESCRIPTION	QTY DIESEL	QTY GAS	QTY ELEC
		<p style="text-align: center;">1 2 3 4</p> <p>The following tool list includes all tools available from Husqvarna for maintenance and service procedures for gasoline, electric, and/or diesel vehicles, both past and present models. Be sure to carefully examine the tool list for applicability to your vehicle before ordering.</p>			
1	603 00 18-32	Accelerator Pedal Adjustment Tool .....		1	1
2	603 00 18-33	Adhesive, Guide Ring, 3-Gram Tube .....			1
3	603 00 18-34	Arbor .....		1	
4	603 00 18-35	Battery Discharge Machine, 36/48 Volt .....			1
5	603 00 00-03	Battery Terminal Protector Spray .....	1	1	1
6	603 00 18-37	Battery Thermometer .....	1	1	1
7	603 00 18-38	Bearing and Oil Seal Remover Assembly .....	1	1	1
8	603 00 18-39	Bearing Driver Set .....	1	1	1
9	603 00 18-40	Bearing Puller .....	1	1	1
10	603 00 18-41	Bearing Puller Wedge Attachment .....	1	1	1
11	603 00 18-42	Brake Adjustment Tool (used only on vehicles with manually adjusted mechanical brakes) .....		1	1
12	603 00 18-43	Brake Cable Release Tool .....	1	1	1
13	603 00 18-44	Brake Pedal Adjustment Tool Kit (includes items 14 and 15) .....			1
14	****	Brake Pedal Adjustment Tool .....			1
15	****	Brake Pedal Tension Tool .....			1
16	603 00 18-46	Calibration Test Module .....			1
17	603 00 18-47	Cam Installation Tool .....		1	
18	603 00 18-48	Charger Bezel Tool .....			1
19	603 00 18-49	Clutch Removal Tool (for 4x4 vehicles) .....	1	1	
		<p>Please refer to the maintenance and service manual for proper tool application.</p> <p>**** Special order item available upon request</p>			

15

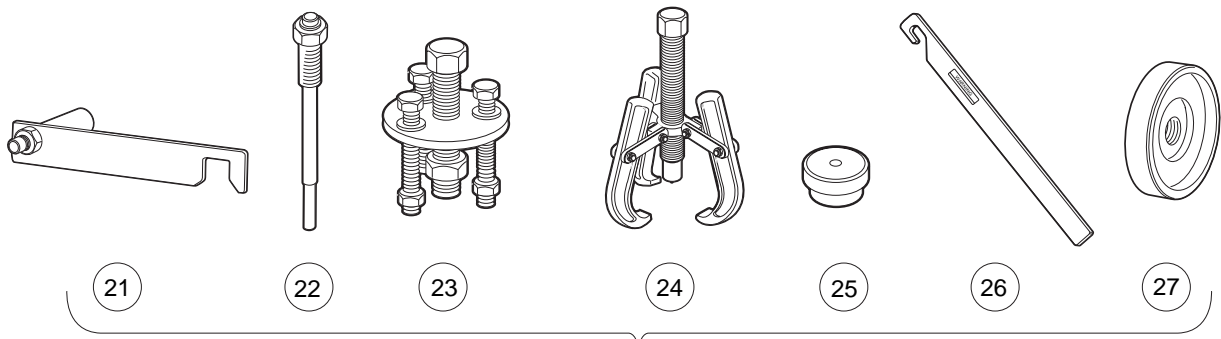
G

E

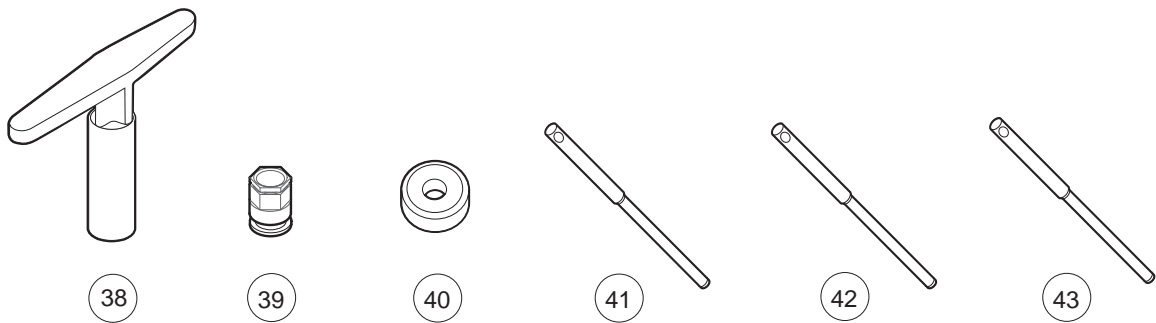
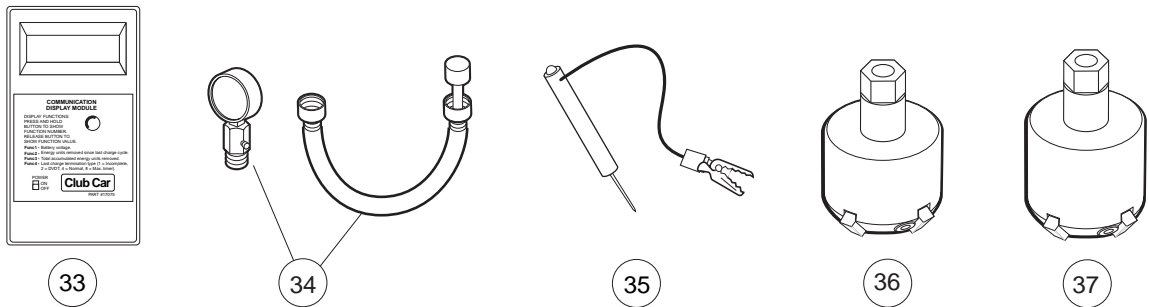
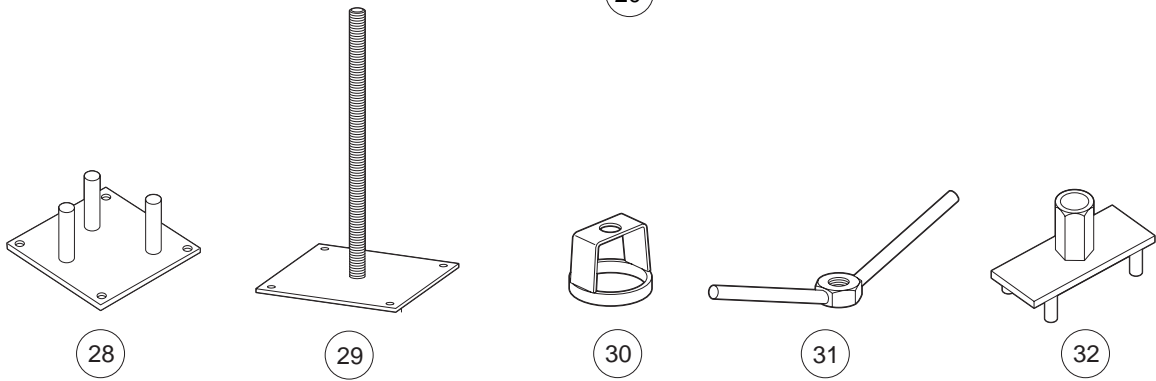
D



**15**  
**G**  
**E**  
**D**



(21) (22) (23) (24) (25) (26) (27)  
20



# MAINTENANCE AND SERVICE TOOLS, CONTINUED

ITEM	PART NO.	DESCRIPTION	QTY DIESEL	QTY GAS	QTY ELEC
		<b>1 2 3 4</b>			
20	603 00 18-50	Clutch Tool Kit (includes items 21 - 27) .....		1	
21	603 00 18-51	Clutch Alignment Tool (for pre-unitized transaxle vehicles built prior to 1997 model year) .....		1	
22	603 00 18-52	Drive Clutch Puller (for Kawasaki engines only) .....		1	
23	603 00 18-53	Drive Clutch Hub Puller (for Kawasaki engines only) .....		1	
24	603 00 18-54	Driven Clutch Cam Puller (for Kawasaki engines only) .....		1	
25	603 00 18-55	Driven Clutch Puller Plug (for Kawasaki engines only) .....		1	
26	603 00 18-56	Drive Clutch Holder Tool Assembly (for Kawasaki engines only) .....		1	
27	603 00 18-57	Press Weldment (for Kawasaki engines only) .....		1	
28	603 00 18-58	Drive ClutchFixed Sheave Tool (for 4x4 vehicles) .....			1
29	603 00 18-60	Driven Clutch Spring Compression Base (for use with items 30 and 31) (for 4x4 vehicles) .....	1	1	
30	603 00 18-61	Driven Clutch Spring Compression Collar (for use with items 29 and 31) (for 4x4 vehicles) .....	1	1	
31	603 00 18-62	Driven Clutch Spring Compression Nut (for use with items 29 and 30) (for 4x4 vehicles) .....	1	1	
32	603 00 18-59	Drive Clutch Spider Removal Tool (for 4x4 vehicles) .....	1	1	
33	603 00 18-63	Communication Display Module .....			1
34	603 00 18-64	Compression Gauge and Adapter .....		1	
35	603 00 18-67	Continuity Tester .....		1	1
36	603 00 29-35	Cutter, Valve Seat, #122 .....		1	
37	603 00 29-36	Cutter, Valve Seat #115 .....		1	
38	603 00 29-38	Wrench, T, #505 .....		1	
39	603 00 29-38	Adapter, T-Wrench.....		1	
40	603 00 18-75	Cutter, Valve Seat, 60 Degree (requires item 51) (for Honda GX620 Gasoline Engines) .....		1	
41	603 00 29-39	Pilot, 6.6 MM.....		1	
42	603 00 29-40	Pilot, 6.62 MM.....		1	
43	603 00 29-41	Pilot, 6.65 MM.....		1	
		Please refer to the maintenance and service manual for proper tool application.			

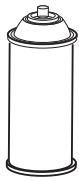
15

G

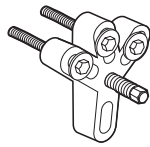
E

D

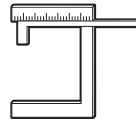
**15  
G  
E  
D**



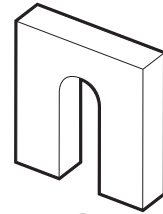
44



45



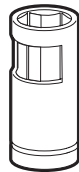
46



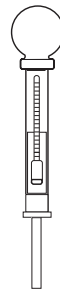
47



48



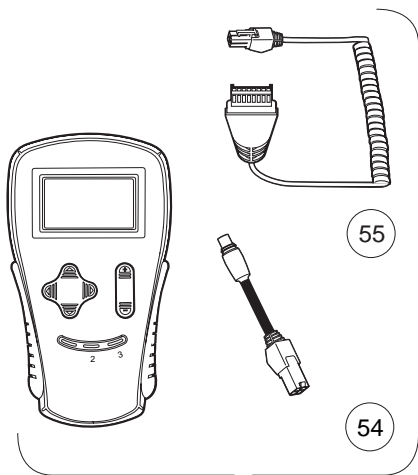
49



50



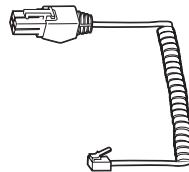
51



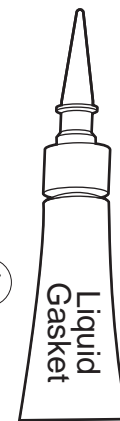
52 53

55

54



56



57



58



59 60



61

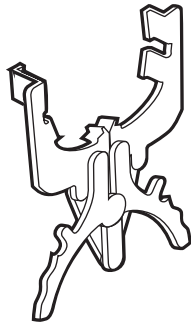
# MAINTENANCE AND SERVICE TOOLS, CONTINUED

ITEM	PART NO.	DESCRIPTION	QTY	QTY	QTY	15
			DIESEL	GAS	ELEC	
		1 2 3 4				G
44	603 00 00-01	Dry Moly Lubricant .....	1	1	1	
45	603 00 18-81	Flywheel Puller Kit (for Kawasaki Engines) .....		1		D
46	603 00 18-83	Gauge, Carburetor Float Level (for Honda GX620 Gasoline Engines) .....		1		
47	603 00 18-86	Gear Yoke .....	1	1	1	
48	603 00 18-87	Governor Shaft Installation Tool (for Kawasaki Engine Vehicles) .....		1		
49	603 00 18-89	Hydraulic Brake Adjuster (for HUV 4213) .....			1	
50	603 00 18-90	Hydrometer .....	1	1	1	
51	603 00 18-92	Internal Retaining Ring Pliers .....	1	1	1	
52	603 00 26-87	IQ Display Module (IQDM) Kit (for electric vehicles only) .....			1	
		(includes items 54 and 55)				
53	603 00 33-69	IQ Display Module (IQDM-P) Kit (for electric vehicles only) .....			1	
		(includes items 54 and 55)				
54	603 00 18-94	Adaptor, Cable .....			1	
55	603 00 18-95	IQDM Series 2 Cable .....			1	
56	603 00 18-96	IQDM Series 1 Cable (replacement) .....			1	
57	603 00 06-07	Liquid Gasket (transaxle case) .....	1	1	1	
58	603 00 29-92	Moly-Teflon Lubricant (4-oz. (113-gram) tube) .....			1	
59	603 00 33-70	Paint, Touch-Up – Beige .....		1	1	
59	603 00 33-71	Paint, Touch-Up – Black .....		1	1	
59	603 00 33-72	Paint, Touch-Up – Burgundy .....		1	1	
59	603 00 33-73	Paint, Touch-Up – Classic Blue (Navy) .....		1	1	
59	603 00 33-74	Paint, Touch-Up – Dark Gray .....	1	1	1	
59	603 00 33-75	Paint, Touch-Up – Dark Green .....	1	1	1	
59	603 00 33-76	Paint, Touch-Up – Gray .....	1	1	1	
59	603 00 33-77	Paint, Touch-Up – Red .....	1	1	1	
59	603 00 33-78	Paint, Touch-Up – Royal Blue (Pacific Blue) .....		1	1	
59	603 00 33-79	Paint, Touch-Up – White .....	1	1	1	
60	603 00 33-80	Paint, Precedent Underbody – Gray.....		1	1	
61	603 00 33-81	Paint Pen, Touch-Up, Precedent Underbody – Black.....		1	1	
		Please refer to the maintenance and service manual for proper tool application.				

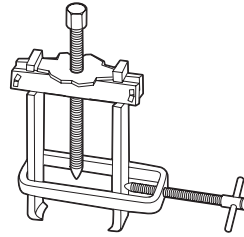
**15  
G  
E  
D**



62



63



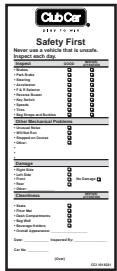
64



65



66



67



68



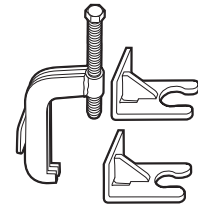
69



70



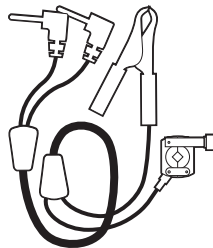
71



72



73



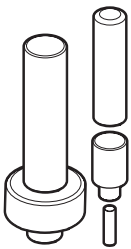
74



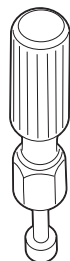
75



76



77



83



84



85



86

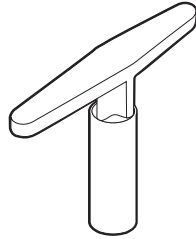
# MAINTENANCE AND SERVICE TOOLS, CONTINUED

ITEM	PART NO.	DESCRIPTION	QTY	QTY	QTY	15
			DIESEL	GAS	ELEC	
		1 2 3 4				G
62	603 00 19-10	Piston Ring Compressor Kit (FE290, FE350 and FE400 engines) .....		1		E
63	603 00 19-11	Piston Ring Pliers (for Kawasaki Engines) .....		1		D
64	603 00 19-13	Puller, Special Use (for Kubota D722 Diesel Engines) .....	1			
65	603 00 19-14	Retaining Ring Pliers, 45° External .....	1	1	1	
66	603 00 19-15	Retaining Ring Pliers, 90° Internal .....	1	1	1	
67	603 00 19-16	Safety First Card (50 per pack) .....	1	1	1	
68	603 00 19-17	Seal Puller .....	1	1	1	
69	603 00 19-18	Spanner Wrench (for coil over shock front suspension vehicles only) .....	1	1		
70	603 00 19-19	Steering Column Bearing Press Tool .....		1	1	
71	603 00 19-20	Steering Column Retaining Ring Tool .....		1	1	
72	603 00 19-21	Steering Wheel Puller Tool .....	1	1	1	
73	603 00 20-07	Tachometer (includes gasoline engine pick up lead only) .....	1	1		
74	603 00 19-23	Tachometer Diesel Probe (for use with item 73) .....	1			
75	603 00 19-24	Transaxle Axle Seal Tool .....		1		
76	603 00 19-25	Transaxle Pinion Seal Tool .....		1		
77	603 00 19-26	Transmission Tool Kit .....		1		
78	603 00 00-05	Tune-Up Kit, All OHV (for Kawasaki Engines) (includes air filter, spark plug, oil filter, fuel filters) (not shown) .....		1		
79	603 00 00-35	Tune-Up Kit, Gx620 (for Honda Engines) (includes air filter, spark plug, oil filter, fuel filters) (not shown) .....		1		
80	603 00 00-40	Tune-Up Kit, D722 (for Kubota Engines) (includes air filter, oil filter, fuel filters, water separator filter) (not shown) .....	1			
81	603 00 36-13	Tune-Up Kit, Precedent (for FE290/350 Engines) (includes air filter, spark plug, oil filter, fuel filters) (not shown) .....			1	
82	603 00 19-28	Valve Clearance Adjuster Screw Holder (for FE290 engines only) .....		1		
83	603 00 19-29	Valve Guide Driver (for Honda GX620 Gasoline Engines) .....		1		
84	603 00 19-30	Valve Guide Reamer (FE290, FE350, and FE400 only).....		1		
85	603 00 19-31	Valve Guide Reamer, 6.6 mm (for Honda GX620 Gasoline Engines) .....		1		

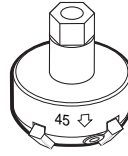
**15**  
**G**  
**E**  
**D**



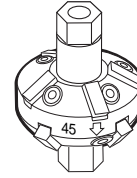
87



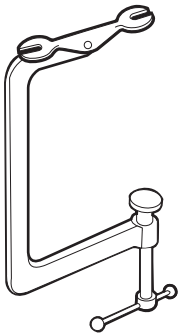
88



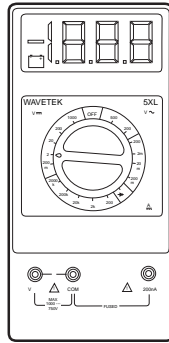
89



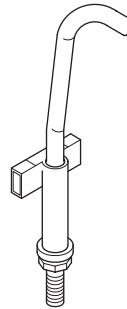
90



91



92



93

# MAINTENANCE AND SERVICE TOOLS, CONTINUED

ITEM	PART NO.	DESCRIPTION	QTY DIESEL	QTY GAS	QTY ELEC
		1 2 3 4			
86	603 00 19-27	Valve Seat Cutter Guide .....		1	
87	603 00 18-78	Valve Seat Cutter T-Wrench .....		1	
88	603 00 18-36	Valve Seat Cutter, 45° (32 mm diameter) (for FE290 engines only) .....		1	
89	603 00 01-00	Valve Seat Cutter, 45°/30° (35 mm diameter) .....		1	
90	603 00 00-43	Valve Spring Compressor .....		1	
91	603 00 00-38	Volt Ohm Meter .....	1	1	1
92	603 00 27-87	Tool, Tensioning, Starter Generator (For gasoline vehicles) .....		1	

15

G

E

D





# INDEX

## Part Number and Page

531 30 07-38	12-5	603 00 01-00	15-11	603 00 04-43	9-15, 10-7
531 30 10-26	1-21	603 00 01-06	1-15	603 00 04-44	10-21
531 30 71-07	5-9	603 00 01-07	1-13, 1-17	603 00 04-45	5-3
531 30 71-09	4-13	603 00 01-08	1-17	603 00 04-46	9-13
531 30 71-10	5-9	603 00 01-09	4-11, 4-13	603 00 04-47	10-23
531 30 71-13	5-9	603 00 01-16	7-23, 7-25	603 00 04-48	1-3, 1-5, 1-7
531 30 73-75	5-7, 5-9	603 00 01-19	13-19	603 00 04-49	8-3, 9-3, 10-23
531 30 81-39	12-9, 12-11	603 00 01-23	3-3, 3-7	603 00 04-50	8-3, 9-3, 10-23, 14-3
531 30 81-40	12-9, 12-11	603 00 01-25	1-9	603 00 04-51	8-3, 9-3
531 30 82-51	1-9	603 00 01-30	4-11, 4-13	603 00 04-52	1-11
531 30 82-56	9-3	603 00 01-35	7-15, 7-17	603 00 04-53	14-7
531 30 95-43	10-5	603 00 01-36	1-13	603 00 04-54	4-7
531 30 95-44	13-3	603 00 01-41	4-11	603 00 04-55	4-11
531 30 95-70	13-15	603 00 01-57	1-19, 8-3, 9-3, 13-19	603 00 04-57	10-7
603 00 00-01	15-7	603 00 01-66	6-5	603 00 04-58	1-19
603 00 00-02	7-23, 7-25	603 00 01-67	6-5	603 00 04-62	3-5
603 00 00-03	15-3	603 00 01-68	6-5	603 00 04-63	3-3, 3-7
603 00 00-05	15-9	603 00 01-69	6-5	603 00 04-65	10-3, 10-7
603 00 00-06	9-15	603 00 01-70	6-5	603 00 04-66	3-3, 3-7
603 00 00-10	10-25, 10-27	603 00 01-72	1-17	603 00 04-93	7-19, 7-21
603 00 00-26	1-21	603 00 01-73	10-5, 10-9	603 00 05-03	10-3, 10-7
603 00 00-30	2-5	603 00 01-75	4-11, 4-13	603 00 05-12	11-3, 14-3
603 00 00-31	2-5	603 00 01-84	1-9	603 00 05-13	8-3
603 00 00-32	2-3, 2-5	603 00 01-85	10-3, 10-7	603 00 05-14	8-3
603 00 00-33	2-3, 2-5	603 00 01-91	7-19, 7-21	603 00 05-26	12-5
603 00 00-34	2-3, 2-5	603 00 01-94	10-23	603 00 05-49	6-5
603 00 00-35	15-9	603 00 02-22	1-3, 1-5, 1-17, 1-19, 4-7	603 00 05-50	6-5
603 00 00-37	10-3, 10-13	603 00 02-23	1-19	603 00 05-51	6-5
603 00 00-38	15-11	603 00 02-24	7-23, 7-25	603 00 05-52	6-5
603 00 00-40	15-9	603 00 02-26	1-17	603 00 05-53	6-5
603 00 00-41	8-11	603 00 02-29	1-9, 1-13, 14-3	603 00 05-57	10-23
603 00 00-42	10-7	603 00 02-32	1-17	603 00 05-58	1-11, 4-7, 4-9
603 00 00-43	15-11	603 00 02-34	7-7, 13-11	603 00 05-73	1-17
603 00 00-45	1-21	603 00 02-36	7-7, 13-11	603 00 05-76	7-23, 7-25
603 00 00-51	4-11, 10-5, 10-9	603 00 02-41	10-5, 10-9	603 00 05-79	1-9
603 00 00-54	1-11, 1-17, 7-15, 7-17	603 00 02-42	10-5, 10-9	603 00 06-07	15-7
603 00 00-55	13-15	603 00 02-50	1-13	603 00 06-16	1-17
603 00 00-56	1-15, 1-19	603 00 02-55	1-13, 1-17	603 00 06-32	4-11, 4-13
603 00 00-58	1-9	603 00 02-63	1-13	603 00 06-36	6-5
603 00 00-61	10-5, 10-9	603 00 02-64	6-13, 6-15	603 00 06-65	2-3
603 00 00-63	4-13, 5-9	603 00 02-67	7-15, 7-17	603 00 06-67	2-3
603 00 00-64	7-15, 7-17	603 00 02-72	7-19, 7-21	603 00 06-70	2-3
603 00 00-65	4-11, 7-23, 7-25	603 00 02-81	6-11	603 00 06-71	2-3
603 00 00-78	1-13, 1-17, 7-23, 7-25	603 00 03-65	1-15	603 00 06-72	2-5
603 00 00-80	1-13, 1-19	603 00 03-66	7-19, 7-21	603 00 06-74	1-3, 1-5
603 00 00-86	7-7, 13-11	603 00 03-71	7-7, 13-11	603 00 06-76	1-3, 1-5
603 00 00-87	7-7, 13-11	603 00 03-76	7-7, 13-11	603 00 06-78	1-3, 1-5
603 00 00-89	1-17, 10-23	603 00 03-79	1-7	603 00 06-82	6-5
603 00 00-91	1-19	603 00 03-84	1-15	603 00 06-84	6-5, 6-7, 13-3
603 00 00-93	4-9, 4-11, 4-13	603 00 03-85	1-15	603 00 06-89	1-9
603 00 00-94	7-7, 13-11	603 00 04-34	1-15	603 00 06-93	1-19
603 00 00-95	1-13, 1-15, 6-11, 13-15	603 00 04-36	13-9	603 00 06-94	1-19
603 00 00-96	1-13, 1-15	603 00 04-37	8-3, 9-3	603 00 06-95	1-3, 1-5, 1-9, 7-19, 7-21
603 00 00-97	10-5, 10-9	603 00 04-40	8-3, 9-3	603 00 07-01	4-11
		603 00 04-41	9-3	603 00 07-27	7-19
		603 00 04-42	14-3	603 00 07-28	7-19

# INDEX

603 00 07-29	1-3, 1-5	603 00 09-11	9-15	603 00 09-71	14-5, 14-7
603 00 07-36	1-9	603 00 09-12	13-9	603 00 09-72	14-7
603 00 07-37	1-3, 1-5	603 00 09-13	13-5	603 00 09-73	14-3, 14-7
603 00 07-59	4-7	603 00 09-15	13-9	603 00 09-74	14-3, 14-7
603 00 07-60	7-19	603 00 09-17	13-3	603 00 09-75	10-27
603 00 07-61	7-19	603 00 09-18	12-7	603 00 09-76	10-25, 10-27, 12-3, 12-5
603 00 07-62	7-19, 7-21	603 00 09-19	10-17	603 00 09-77	14-3
603 00 07-66	4-11, 4-13	603 00 09-20	7-19	603 00 09-78	14-5
603 00 07-73	1-11	603 00 09-21	7-21	603 00 09-79	14-5
603 00 07-74	1-9	603 00 09-22	7-21	603 00 09-80	14-5
603 00 07-77	1-9	603 00 09-23	7-7, 13-11	603 00 09-82	12-9
603 00 07-80	1-13	603 00 09-24	7-7, 13-11	603 00 09-83	12-3, 12-5
603 00 07-81	1-13, 1-15	603 00 09-25	13-3	603 00 09-84	8-3
603 00 07-97	1-13	603 00 09-26	13-21	603 00 09-85	8-3
603 00 07-98	4-7	603 00 09-27	14-7	603 00 09-86	9-3
603 00 08-01	7-19, 7-21	603 00 09-28	14-7	603 00 09-87	1-11
603 00 08-02	1-17	603 00 09-29	14-3	603 00 09-88	1-11
603 00 08-03	1-17	603 00 09-30	14-3	603 00 09-89	1-3, 1-5, 1-11
603 00 08-04	1-17	603 00 09-31	10-25	603 00 09-90	1-11
603 00 08-05	1-17	603 00 09-32	10-27	603 00 09-91	1-11
603 00 08-06	1-17	603 00 09-33	10-25, 10-27	603 00 09-92	7-15, 7-17
603 00 08-07	1-17	603 00 09-34	14-3	603 00 09-93	7-15, 7-17
603 00 08-08	1-17	603 00 09-35	5-5	603 00 09-94	7-15, 7-17
603 00 08-09	1-17	603 00 09-36	13-3	603 00 09-96	8-53, 11-5
603 00 08-11	3-3	603 00 09-37	8-3, 9-3, 13-19	603 00 09-97	10-23
603 00 08-13	1-17	603 00 09-38	12-9, 12-11	603 00 09-98	1-9
603 00 08-14	3-5, 3-9	603 00 09-39	12-13	603 00 09-99	1-9
603 00 08-16	1-17	603 00 09-40	10-13	603 00 10-00	10-3, 10-7
603 00 08-66	13-3	603 00 09-41	6-13, 6-15	603 00 10-01	1-15
603 00 08-67	13-21	603 00 09-43	10-25, 10-27	603 00 10-02	14-5
603 00 08-69	1-7, 9-15, 10-7, 14-3, 14-5	603 00 09-44	6-13, 6-15	603 00 10-03	14-7
603 00 08-70	1-3, 1-5	603 00 09-45	4-5	603 00 10-04	1-3
603 00 08-71	6-3	603 00 09-46	4-5	603 00 10-05	10-7
603 00 08-73	4-9, 6-7	603 00 09-47	4-7	603 00 10-06	10-7
603 00 08-74	4-9, 10-7, 10-23, 12-3, 12-5	603 00 09-48	4-7	603 00 10-07	10-7
603 00 08-75	1-3, 1-5, 1-9, 6-3, 6-11	603 00 09-49	10-9	603 00 10-08	10-7
603 00 08-76	6-9, 6-11	603 00 09-50	10-5	603 00 10-09	10-7
603 00 08-85	9-15	603 00 09-51	10-9	603 00 10-11	1-3, 1-5
603 00 08-90	7-23, 7-25	603 00 09-52	10-9	603 00 10-12	10-23
603 00 08-91	6-7, 13-3	603 00 09-53	4-9	603 00 10-13	10-23
603 00 08-92	6-3	603 00 09-54	4-9	603 00 10-14	14-5
603 00 08-94	6-13	603 00 09-55	13-21	603 00 10-15	9-15, 10-7
603 00 08-95	6-15	603 00 09-56	6-7	603 00 10-16	14-7
603 00 08-97	6-3	603 00 09-58	11-5	603 00 10-17	14-5
603 00 08-98	4-3	603 00 09-59	11-3, 11-5	603 00 10-18	7-5
603 00 08-99	13-3	603 00 09-60	11-3, 11-5	603 00 10-19	13-3
603 00 09-00	6-7	603 00 09-61	11-3	603 00 10-20	13-3
603 00 09-01	6-7	603 00 09-62	11-3	603 00 10-21	14-3
603 00 09-02	6-7	603 00 09-63	14-9	603 00 10-22	6-7
603 00 09-03	6-7	603 00 09-64	14-3	603 00 10-23	6-7
603 00 09-04	13-13	603 00 09-65	10-7	603 00 10-24	1-7
603 00 09-06	12-13	603 00 09-66	1-3, 1-5, 4-9, 8-3, 9-3	603 00 10-26	13-5
603 00 09-07	8-3	603 00 09-67	10-7	603 00 10-27	13-5
603 00 09-08	8-3, 9-3	603 00 09-68	10-3, 10-7	603 00 10-28	13-5
603 00 09-09	8-3, 9-3	603 00 09-69	10-7	603 00 10-29	13-5
603 00 09-10	9-15	603 00 09-70	14-5, 14-7	603 00 10-30	13-5

# INDEX

603 00 10-31	13-5	603 00 11-00	9-15	603 00 11-60	1-11
603 00 10-32	13-5	603 00 11-01	3-7	603 00 11-61	1-9
603 00 10-33	13-5	603 00 11-02	1-9, 3-5, 3-9, 14-7	603 00 11-62	4-3, 4-5
603 00 10-34	13-5	603 00 11-03	3-9	603 00 11-63	5-3
603 00 10-35	13-5	603 00 11-04	3-5, 3-9	603 00 11-64	12-9
603 00 10-36	13-5	603 00 11-05	3-9	603 00 11-65	8-3, 9-3, 10-23
603 00 10-37	13-5	603 00 11-06	1-11, 3-3, 3-7	603 00 11-66	8-3, 9-3
603 00 10-38	13-5	603 00 11-07	3-5, 3-9	603 00 11-67	7-23, 14-3
603 00 10-39	13-5	603 00 11-08	3-3, 3-7	603 00 11-68	9-15
603 00 10-40	13-5	603 00 11-09	3-7, 3-9	603 00 11-69	8-3, 9-3, 12-13
603 00 10-41	13-5	603 00 11-10	14-5	603 00 11-70	6-7
603 00 10-42	13-5	603 00 11-11	8-3, 9-3	603 00 11-71	13-3
603 00 10-43	13-5	603 00 11-12	13-3	603 00 11-72	13-3
603 00 10-44	13-7	603 00 11-13	8-3	603 00 11-74	1-3, 1-5, 1-7, 1-11
603 00 10-45	13-5	603 00 11-14	9-3	603 00 11-75	4-3, 4-5
603 00 10-46	13-7	603 00 11-15	10-13	603 00 11-76	1-19
603 00 10-47	13-7	603 00 11-16	13-21	603 00 11-77	7-15, 7-17
603 00 10-48	13-7	603 00 11-17	13-21	603 00 11-78	7-17
603 00 10-49	1-9	603 00 11-18	13-23	603 00 11-79	4-11
603 00 10-50	7-23, 7-25	603 00 11-19	13-23	603 00 11-81	1-3, 1-5
603 00 10-51	7-23	603 00 11-20	13-23	603 00 11-82	10-13
603 00 10-52	7-23	603 00 11-21	13-23	603 00 11-83	4-3, 4-5
603 00 10-53	4-11	603 00 11-22	13-23	603 00 11-84	14-3
603 00 10-54	4-11	603 00 11-23	13-23	603 00 11-85	14-3
603 00 10-55	5-3, 5-5	603 00 11-24	13-23	603 00 11-86	8-3, 9-3
603 00 10-56	9-15	603 00 11-25	13-23	603 00 11-87	10-9
603 00 10-57	9-15	603 00 11-26	6-11	603 00 11-88	6-11
603 00 10-58	1-5	603 00 11-27	1-15	603 00 11-89	13-19
603 00 10-60	7-11	603 00 11-28	8-3	603 00 11-90	10-21, 14-3
603 00 10-62	6-11	603 00 11-29	1-19	603 00 11-91	7-25, 8-3
603 00 10-63	6-7	603 00 11-30	6-11	603 00 11-92	10-15
603 00 10-64	13-3	603 00 11-31	6-7	603 00 11-93	10-19
603 00 10-65	1-11	603 00 11-32	6-11	603 00 11-94	10-23
603 00 10-66	1-11	603 00 11-33	6-11	603 00 11-98	4-7, 10-25, 10-27
603 00 10-67	7-15, 7-17	603 00 11-34	6-11	603 00 11-99	8-5
603 00 10-68	7-15, 7-17	603 00 11-35	7-7, 13-11	603 00 12-00	8-5
603 00 10-69	7-25	603 00 11-37	1-9	603 00 12-01	8-5
603 00 10-70	7-25	603 00 11-38	1-9	603 00 12-02	8-5, 8-9, 8-53
603 00 10-72	13-21	603 00 11-39	4-9, 6-7	603 00 12-03	8-5
603 00 10-74	10-21	603 00 11-40	4-9, 6-7	603 00 12-04	8-5
603 00 10-75	10-23	603 00 11-41	4-9	603 00 12-05	8-5
603 00 10-76	14-3	603 00 11-42	9-15	603 00 12-06	8-5, 8-9
603 00 10-77	10-23	603 00 11-43	4-9, 10-15, 10-17, 10-19, 13-19	603 00 12-07	8-5, 8-11
603 00 10-85	1-19	603 00 11-44	13-3	603 00 12-08	8-33
603 00 10-86	1-19	603 00 11-45	1-9	603 00 12-09	8-5
603 00 10-87	1-19	603 00 11-48	6-13, 6-15	603 00 12-10	8-5
603 00 10-88	10-23	603 00 11-50	6-11	603 00 12-12	8-11, 8-53
603 00 10-89	10-23	603 00 11-51	1-3, 1-5	603 00 12-13	8-11
603 00 10-90	3-5	603 00 11-52	10-9	603 00 12-14	8-11
603 00 10-91	3-9	603 00 11-53	13-3	603 00 12-15	8-11
603 00 10-93	1-9	603 00 11-54	5-3	603 00 12-16	8-11
603 00 10-94	10-23	603 00 11-55	14-7	603 00 12-17	8-11
603 00 10-95	10-23	603 00 11-56	12-5	603 00 12-18	8-11
603 00 10-96	10-23	603 00 11-58	12-5	603 00 12-19	8-11
603 00 10-97	7-21	603 00 11-59	12-5	603 00 12-20	8-11
603 00 10-99	9-15			603 00 12-22	8-27

# INDEX

603 00 12-23	8-27	603 00 12-79	8-19	603 00 13-35	8-33, 8-35
603 00 12-24	8-27	603 00 12-80	8-19	603 00 13-36	8-23
603 00 12-25	8-27	603 00 12-81	8-19	603 00 13-37	8-23
603 00 12-26	8-27	603 00 12-82	8-23	603 00 13-38	8-23
603 00 12-27	8-27	603 00 12-83	8-23	603 00 13-39	8-23, 8-55
603 00 12-28	8-21, 8-27	603 00 12-84	8-23	603 00 13-40	8-23, 8-55
603 00 12-29	8-27	603 00 12-85	8-23	603 00 13-41	14-9
603 00 12-30	8-23, 8-27	603 00 12-86	1-13, 1-15	603 00 13-42	14-9
603 00 12-31	8-27	603 00 12-88	7-7, 13-11	603 00 13-43	8-5, 8-33, 8-35, 14-9
603 00 12-32	8-27	603 00 12-89	13-19	603 00 13-44	14-13
603 00 12-33	8-27	603 00 12-91	12-5	603 00 13-45	14-13
603 00 12-34	8-21	603 00 12-92	6-7, 6-9, 6-11, 6-13, 6-15	603 00 13-46	14-13
603 00 12-35	8-21	603 00 12-94	12-11	603 00 13-47	14-13
603 00 12-36	8-7, 8-21	603 00 12-95	7-7, 13-11	603 00 13-48	14-13
603 00 12-37	8-21	603 00 12-96	10-23	603 00 13-49	8-53, 14-11
603 00 12-38	8-21	603 00 12-97	10-23	603 00 13-50	14-9
603 00 12-39	8-21	603 00 12-98	1-9, 7-7, 8-3, 9-3, 10-3, 11-5, 13-11	603 00 13-51	14-9
603 00 12-40	8-21	603 00 12-99	4-9, 5-3, 6-7	603 00 13-53	8-53, 14-9
603 00 12-41	8-41	603 00 13-00	1-3, 1-5, 1-7, 1-11	603 00 13-54	8-43
603 00 12-42	8-21	603 00 13-01	10-13	603 00 13-55	8-39
603 00 12-43	8-21	603 00 13-02	13-3	603 00 13-56	8-39
603 00 12-44	8-21	603 00 13-03	6-7	603 00 13-57	8-39
603 00 12-45	8-17	603 00 13-04	13-3	603 00 13-58	8-39, 8-53
603 00 12-46	8-17	603 00 13-05	5-3, 5-5	603 00 13-59	8-39
603 00 12-47	8-17	603 00 13-06	4-11, 4-13, 5-3, 5-5, 5-7, 5-9, 7-7, 13-11, 14-7	603 00 13-60	8-39
603 00 12-48	8-17	603 00 13-07	4-7	603 00 13-61	8-39
603 00 12-49	8-17, 8-53	603 00 13-08	1-3, 1-5, 1-15, 4-7, 4-11, 4-13, 5-3, 5-5, 5-7, 5-9, 6-3, 6-9, 6-11, 8-3, 9-3, 9-15, 10-7, 10-23, 14-3, 14-7	603 00 13-62	8-39, 8-53
603 00 12-50	8-15	603 00 13-10	6-13, 6-15	603 00 13-63	8-39, 8-53
603 00 12-51	8-7	603 00 13-11	6-13, 6-15	603 00 13-64	8-39
603 00 12-52	8-7	603 00 13-12	6-7, 6-9, 6-11, 6-13, 6-15	603 00 13-65	8-39
603 00 12-53	8-7	603 00 13-13	10-13	603 00 13-66	8-43
603 00 12-54	8-7	603 00 13-14	1-11, 3-3, 3-7	603 00 13-67	8-43
603 00 12-55	8-7	603 00 13-15	10-25, 10-27, 11-3, 11-5	603 00 13-68	8-39
603 00 12-56	8-23, 8-55	603 00 13-16	8-3, 11-5	603 00 13-69	8-29, 8-39, 8-41, 8-53
603 00 12-57	8-23	603 00 13-17	1-19, 8-3, 9-3, 10-25, 10-27, 13-19	603 00 13-70	8-29
603 00 12-58	8-23	603 00 13-18	3-11	603 00 13-71	8-29
603 00 12-59	8-23	603 00 13-19	10-11	603 00 13-72	8-29
603 00 12-60	8-23	603 00 13-20	10-11	603 00 13-75	8-43
603 00 12-61	8-23	603 00 13-21	10-11	603 00 13-76	8-43
603 00 12-62	8-19, 8-53	603 00 13-22	5-5	603 00 13-77	8-43
603 00 12-63	8-19, 8-53	603 00 13-23	12-5	603 00 13-78	8-43
603 00 12-64	8-19	603 00 13-24	11-5	603 00 13-79	8-43
603 00 12-65	8-19	603 00 13-25	1-3, 1-5	603 00 13-81	8-29
603 00 12-66	8-19	603 00 13-26	14-7	603 00 13-82	8-29
603 00 12-67	8-19, 14-11	603 00 13-27	1-15	603 00 13-83	8-37
603 00 12-68	8-23	603 00 13-28	8-23	603 00 13-84	8-37
603 00 12-69	8-23	603 00 13-29	8-23	603 00 13-85	8-37
603 00 12-70	8-23	603 00 13-30	8-23	603 00 13-87	8-37
603 00 12-71	8-23	603 00 13-31	8-23	603 00 13-88	8-37
603 00 12-72	8-23	603 00 13-32	8-23	603 00 13-89	8-37
603 00 12-73	8-23	603 00 13-33	8-23, 8-53	603 00 13-90	8-37
603 00 12-74	8-19	603 00 13-34	8-23	603 00 13-91	8-37
603 00 12-75	8-23			603 00 13-92	8-41
603 00 12-76	8-23			603 00 13-93	8-41
603 00 12-77	8-23			603 00 13-94	8-41
603 00 12-78	8-19			603 00 13-95	8-41

# INDEX

603 00 13-96	8-41	603 00 14-62	9-7	603 00 15-18	9-13
603 00 13-97	8-41	603 00 14-63	10-11	603 00 15-19	9-13
603 00 13-98	8-41	603 00 14-64	10-11	603 00 15-20	9-13
603 00 13-99	8-41	603 00 14-65	10-11	603 00 15-21	9-13
603 00 14-00	8-41	603 00 14-66	10-11	603 00 15-22	9-13
603 00 14-01	8-41	603 00 14-67	10-11	603 00 15-23	9-13
603 00 14-02	8-41	603 00 14-68	10-11	603 00 15-24	9-13
603 00 14-03	8-41	603 00 14-69	10-11	603 00 15-25	9-13
603 00 14-04	8-41	603 00 14-70	10-13	603 00 15-27	9-13
603 00 14-05	8-41	603 00 14-71	10-13	603 00 15-28	9-13
603 00 14-06	8-13, 8-53	603 00 14-72	10-13	603 00 15-29	9-13
603 00 14-07	8-13	603 00 14-73	10-13	603 00 15-30	9-13
603 00 14-10	8-53	603 00 14-74	10-13	603 00 15-31	9-13
603 00 14-17	8-45	603 00 14-75	10-13	603 00 15-32	9-7, 9-13
603 00 14-18	8-49	603 00 14-76	10-13	603 00 15-33	9-11
603 00 14-19	8-49, 8-53	603 00 14-77	10-13	603 00 15-34	9-11
603 00 14-20	8-49	603 00 14-78	10-13	603 00 15-35	9-11
603 00 14-21	8-51	603 00 14-79	10-13	603 00 15-36	9-11
603 00 14-22	8-47	603 00 14-80	10-13	603 00 15-37	9-11
603 00 14-23	8-51	603 00 14-81	10-3, 10-13	603 00 15-38	9-11
603 00 14-24	8-51, 8-53	603 00 14-82	10-13	603 00 15-39	9-11
603 00 14-25	8-51	603 00 14-83	9-5, 10-13	603 00 15-40	9-11
603 00 14-26	8-51	603 00 14-84	9-11, 10-13	603 00 15-41	9-11
603 00 14-27	8-25	603 00 14-85	9-11, 10-13	603 00 15-42	9-11
603 00 14-29	8-25	603 00 14-86	9-11, 10-13	603 00 15-43	9-11
603 00 14-30	8-25	603 00 14-87	9-9	603 00 15-44	9-11
603 00 14-31	8-25	603 00 14-88	9-9	603 00 15-45	9-11
603 00 14-32	8-45	603 00 14-89	9-9	603 00 15-46	9-11
603 00 14-33	8-45	603 00 14-90	9-9	603 00 15-47	9-11
603 00 14-34	8-47	603 00 14-91	9-9	603 00 15-48	9-11
603 00 14-35	8-47	603 00 14-92	9-9	603 00 15-49	9-11
603 00 14-36	8-47	603 00 14-93	9-9	603 00 15-50	9-11
603 00 14-37	8-47	603 00 14-94	9-9	603 00 15-51	9-11
603 00 14-38	8-47	603 00 14-95	9-9	603 00 15-52	9-11
603 00 14-39	8-47	603 00 14-96	9-9	603 00 15-53	9-11
603 00 14-40	8-47	603 00 14-97	9-9	603 00 15-54	9-11
603 00 14-41	8-47	603 00 14-98	9-9	603 00 15-55	9-7
603 00 14-42	8-47	603 00 14-99	9-9	603 00 15-56	9-7
603 00 14-43	8-47	603 00 15-00	9-9	603 00 15-58	9-7, 9-13
603 00 14-44	8-9	603 00 15-01	9-9	603 00 15-59	9-7
603 00 14-45	8-47	603 00 15-02	9-9	603 00 15-60	9-7
603 00 14-46	8-47	603 00 15-03	9-9	603 00 15-61	9-7
603 00 14-47	8-47	603 00 15-04	9-13	603 00 15-62	9-7
603 00 14-48	8-47	603 00 15-05	9-13	603 00 15-63	9-7
603 00 14-49	8-47, 8-53	603 00 15-06	9-13	603 00 15-64	9-7
603 00 14-50	8-9	603 00 15-07	9-13	603 00 15-65	9-7
603 00 14-51	8-9	603 00 15-08	9-13	603 00 15-66	9-7
603 00 14-52	8-47	603 00 15-09	9-13	603 00 15-67	9-7
603 00 14-53	8-47	603 00 15-10	9-13	603 00 15-68	9-5, 9-7
603 00 14-54	8-9	603 00 15-11	9-13	603 00 15-69	9-5
603 00 14-55	8-9, 8-53	603 00 15-12	9-13	603 00 15-70	9-5
603 00 14-56	8-11, 8-39, 8-49	603 00 15-13	9-13	603 00 15-71	9-5
603 00 14-57	8-21	603 00 15-14	9-13	603 00 15-72	9-5
603 00 14-59	8-7, 8-53	603 00 15-15	9-13	603 00 15-73	9-5
603 00 14-60	8-53, 14-9	603 00 15-16	9-13	603 00 15-74	9-5
603 00 14-61	10-11	603 00 15-17	9-13	603 00 15-75	9-5

# INDEX

603 00 15-76	9-5	603 00 16-33	13-21	603 00 16-94	9-9
603 00 15-77	9-5	603 00 16-35	12-13	603 00 16-95	9-13
603 00 15-78	9-5	603 00 16-36	12-13	603 00 16-96	9-13
603 00 15-79	9-5	603 00 16-37	12-13	603 00 16-97	10-13
603 00 15-80	9-5	603 00 16-38	12-13	603 00 16-98	10-25, 10-27
603 00 15-81	9-5	603 00 16-39	12-13	603 00 16-99	10-25, 10-27
603 00 15-82	9-7, 9-13	603 00 16-40	13-15	603 00 17-00	8-5
603 00 15-83	9-5	603 00 16-41	13-13	603 00 17-01	8-5
603 00 15-84	9-5	603 00 16-42	13-13, 13-15, 13-17	603 00 17-02	8-5
603 00 15-85	1-11	603 00 16-43	13-13	603 00 17-03	8-5
603 00 15-86	8-3, 9-3	603 00 16-44	13-15	603 00 17-04	8-5
603 00 15-87	9-15	603 00 16-45	13-13, 13-15	603 00 17-05	8-9
603 00 15-88	10-5	603 00 16-46	13-15	603 00 17-06	8-9
603 00 15-89	1-11	603 00 16-47	13-13	603 00 17-07	8-9
603 00 15-90	13-21	603 00 16-48	13-13, 13-15	603 00 17-08	8-9
603 00 15-91	13-21	603 00 16-49	13-13, 13-15, 13-17	603 00 17-09	8-9
603 00 15-92	13-21	603 00 16-50	13-17	603 00 17-11	8-11
603 00 15-93	13-21	603 00 16-51	13-13, 13-15	603 00 17-12	8-11
603 00 15-94	3-11	603 00 16-52	13-17	603 00 17-13	8-11
603 00 15-95	1-15	603 00 16-53	13-13	603 00 17-15	8-15
603 00 15-96	3-3, 3-7	603 00 16-54	13-13	603 00 17-17	8-17
603 00 15-97	6-13, 6-15	603 00 16-55	13-13	603 00 17-18	8-19
603 00 15-98	14-3	603 00 16-56	13-17	603 00 17-19	8-23, 8-55
603 00 15-99	1-19, 6-13, 6-15, 7-7, 13-11	603 00 16-58	13-13, 13-17	603 00 17-20	8-23
603 00 16-00	7-7, 13-11	603 00 16-59	13-17	603 00 17-22	8-25
603 00 16-01	14-3	603 00 16-60	13-17	603 00 17-23	8-27
603 00 16-02	6-13, 6-15	603 00 16-61	8-5	603 00 17-24	8-27
603 00 16-03	6-5	603 00 16-62	8-9	603 00 17-25	8-29
603 00 16-04	1-13	603 00 16-63	8-33, 8-35	603 00 17-26	8-29
603 00 16-05	4-9	603 00 16-64	8-39	603 00 17-28	8-29
603 00 16-06	4-9, 6-13, 6-15	603 00 16-66	10-21	603 00 17-29	8-31
603 00 16-07	4-9, 6-13, 6-15	603 00 16-67	9-15, 10-7	603 00 17-30	8-31
603 00 16-08	12-9, 12-11	603 00 16-68	10-13	603 00 17-31	8-11, 8-53
603 00 16-09	12-9, 12-11	603 00 16-69	13-3	603 00 17-32	8-39
603 00 16-10	12-11	603 00 16-70	4-3, 4-5	603 00 17-33	8-39
603 00 16-11	12-9, 12-11	603 00 16-71	4-7	603 00 17-34	8-41
603 00 16-12	12-9, 12-11	603 00 16-72	1-11	603 00 17-35	8-41
603 00 16-13	12-9, 12-11	603 00 16-73	1-11	603 00 17-36	8-43
603 00 16-14	12-11	603 00 16-74	1-11	603 00 17-38	8-33
603 00 16-15	12-9	603 00 16-75	1-3, 1-5	603 00 17-39	8-33
603 00 16-16	12-9, 12-11	603 00 16-76	1-3, 1-5	603 00 17-40	8-33, 8-35
603 00 16-17	12-9, 12-11	603 00 16-77	7-13	603 00 17-41	8-33
603 00 16-18	12-9, 12-11	603 00 16-80	10-7	603 00 17-42	8-33, 8-35
603 00 16-19	12-9, 12-11	603 00 16-81	13-13, 13-17	603 00 17-43	8-33, 8-35
603 00 16-20	12-9	603 00 16-82	9-15	603 00 17-44	8-33, 8-35
603 00 16-21	13-21	603 00 16-83	9-15	603 00 17-46	8-5
603 00 16-22	13-13, 13-21	603 00 16-84	6-7, 13-3	603 00 17-47	14-9
603 00 16-23	13-13, 13-21	603 00 16-85	9-11	603 00 17-48	14-9
603 00 16-24	13-13, 13-21	603 00 16-86	9-11	603 00 17-49	14-9
603 00 16-25	13-23	603 00 16-87	9-11	603 00 17-50	14-11
603 00 16-26	13-23	603 00 16-88	10-11	603 00 17-51	8-33, 8-35
603 00 16-28	13-13, 13-21	603 00 16-89	10-11	603 00 17-52	8-51
603 00 16-29	13-21	603 00 16-90	9-9	603 00 17-53	8-51, 11-5
603 00 16-30	13-21	603 00 16-91	9-9	603 00 17-54	7-21
603 00 16-31	13-23	603 00 16-92	9-9	603 00 17-55	8-53
603 00 16-32	13-21	603 00 16-93	9-9	603 00 17-56	8-53

# INDEX

603 00 17-57	8-55	603 00 18-29	8-13	603 00 19-19	15-9
603 00 17-58	8-23, 8-55	603 00 18-30	8-13	603 00 19-20	15-9
603 00 17-59	1-7, 1-11	603 00 18-31	8-13	603 00 19-21	15-9
603 00 17-60	1-11	603 00 18-32	15-3	603 00 19-23	15-9
603 00 17-62	8-5, 8-53	603 00 18-33	15-3	603 00 19-24	15-9
603 00 17-63	6-13, 6-15	603 00 18-34	15-3	603 00 19-25	15-9
603 00 17-64	14-3	603 00 18-35	15-3	603 00 19-26	15-9
603 00 17-65	14-3	603 00 18-36	15-11	603 00 19-27	15-11
603 00 17-66	1-11	603 00 18-37	15-3	603 00 19-28	15-9
603 00 17-67	3-3	603 00 18-38	15-3	603 00 19-29	15-9
603 00 17-68	3-7	603 00 18-39	15-3	603 00 19-30	15-9
603 00 17-69	1-3, 1-5	603 00 18-40	15-3	603 00 19-31	15-9
603 00 17-74	1-19	603 00 18-41	15-3	603 00 19-34	9-7
603 00 17-75	1-19	603 00 18-42	15-3	603 00 19-41	7-13
603 00 17-76	1-19	603 00 18-43	15-3	603 00 20-07	15-9
603 00 17-77	5-7, 5-9	603 00 18-44	15-3	603 00 26-87	15-7
603 00 17-78	9-5	603 00 18-46	15-3	603 00 26-90	1-19
603 00 17-79	13-23	603 00 18-47	15-3	603 00 26-91	1-19
603 00 17-80	13-13	603 00 18-48	15-3	603 00 27-66	1-3, 1-5
603 00 17-81	13-13	603 00 18-49	15-3	603 00 27-78	1-3, 1-5
603 00 17-82	13-17	603 00 18-50	15-5	603 00 27-85	1-3, 1-5
603 00 17-83	13-17	603 00 18-51	15-5	603 00 27-87	15-11
603 00 17-84	13-15	603 00 18-52	15-5	603 00 28-00	8-29, 8-53
603 00 17-85	13-15	603 00 18-53	15-5	603 00 28-01	8-29
603 00 17-86	13-15	603 00 18-54	15-5	603 00 28-06	6-3
603 00 17-87	13-13	603 00 18-55	15-5	603 00 28-20	4-11
603 00 17-88	13-23	603 00 18-56	15-5	603 00 28-26	13-15
603 00 17-89	13-23	603 00 18-57	15-5	603 00 28-36	13-15
603 00 17-90	13-23	603 00 18-58	15-5	603 00 28-37	13-17
603 00 17-91	13-23	603 00 18-59	15-5	603 00 28-85	8-3
603 00 17-92	1-17, 3-11	603 00 18-60	15-5	603 00 29-24	4-13
603 00 17-93	3-11	603 00 18-61	15-5	603 00 29-25	4-13
603 00 17-94	3-11	603 00 18-62	15-5	603 00 29-30	4-13
603 00 17-96	3-11	603 00 18-63	15-5	603 00 29-35	15-5
603 00 17-97	3-11	603 00 18-64	15-5	603 00 29-36	15-5
603 00 17-98	7-13	603 00 18-67	15-5	603 00 29-38	15-5
603 00 17-99	7-13	603 00 18-75	15-5	603 00 29-39	15-5
603 00 18-10	8-11	603 00 18-78	15-11	603 00 29-40	15-5
603 00 18-11	8-11	603 00 18-81	15-7	603 00 29-41	15-5
603 00 18-12	1-13	603 00 18-83	15-7	603 00 29-47	11-3, 11-5
603 00 18-13	8-13	603 00 18-86	15-7	603 00 29-63	1-15, 6-5
603 00 18-14	8-21	603 00 18-87	15-7	603 00 29-92	15-7
603 00 18-15	8-31	603 00 18-89	15-7	603 00 30-09	12-11
603 00 18-16	8-31	603 00 18-90	15-7	603 00 30-35	13-15
603 00 18-17	8-31	603 00 18-92	15-7	603 00 30-57	10-5, 10-9
603 00 18-18	8-31, 8-37	603 00 18-94	15-7	603 00 33-69	15-7
603 00 18-19	8-33, 8-35, 8-45	603 00 18-95	15-7	603 00 33-70	15-7
603 00 18-20	8-33, 8-35, 8-45	603 00 18-96	15-7	603 00 33-71	15-7
603 00 18-21	8-33, 8-35	603 00 19-10	15-9	603 00 33-72	15-7
603 00 18-22	8-49	603 00 19-11	15-9	603 00 33-73	15-7
603 00 18-23	8-13, 8-53	603 00 19-13	15-9	603 00 33-74	15-7
603 00 18-24	8-13	603 00 19-14	15-9	603 00 33-75	15-7
603 00 18-25	8-13	603 00 19-15	15-9	603 00 33-76	15-7
603 00 18-26	8-13	603 00 19-16	15-9	603 00 33-77	15-7
603 00 18-27	8-13	603 00 19-17	15-9	603 00 33-78	15-7
603 00 18-28	8-13, 14-9	603 00 19-18	15-9	603 00 33-79	15-7



# INDEX

603 00 33-80 15-7  
603 00 33-81 15-7  
603 00 35-22 5-9  
603 00 35-23 5-9  
603 00 35-24 5-9  
603 00 35-25 5-9  
603 00 35-26 5-7, 5-9  
603 00 35-29 6-5  
603 00 35-44 6-7  
603 00 35-62 13-3  
603 00 35-63 13-7  
603 00 35-74 13-23  
603 00 35-75 13-23  
603 00 35-93 9-7  
603 00 36-06 1-11  
603 00 36-13 15-9  
603 00 36-17 1-19  
603 00 37-70 9-7, 9-11  
603 00 38-04 10-3  
603 00 38-40 5-3, 5-5  
603 00 40-08 13-23  
603 00 40-79 1-9  
603 00 41-17 6-13, 6-15  
603 00 41-37 5-9  
603 00 41-38 5-9  
603 00 41-68 7-19, 7-21  
603 00 41-69 7-19, 7-21  
603 00 44-12 12-3, 12-5  
603 00 44-13 6-3  
603 00 44-14 6-9, 6-11  
603 00 44-75 4-3, 4-5  
603 00 44-76 4-5  
603 00 44-77 8-35  
603 00 44-78 8-35  
603 00 44-79 8-35  
603 00 44-80 8-35  
603 00 45-07 13-15

## A

A-arm 6-7  
absorber, shock 6-9, 6-11  
accelerator cable 10-15, 10-19  
accelerator pedal 5-3  
accelerator pedal adjustment tool 15-3  
accessory receptacle 7-19, 7-21  
actuator 1-15  
adapter  
actuator 1-15  
cable (IQDM) 15-7  
hose 9-15  
intake, engine 10-13  
tube 9-15, 10-7  
adapter, oil filter 9-15  
adhesive, guide ring 15-3  
adjuster  
hydraulic brake 15-7

adjuster, forward/aft 1-9  
adjuster, slide 13-3  
adjuster, slider 1-9  
adjuster, spring 10-23  
air clean support 10-25, 10-27  
air filter 10-25, 10-27  
air filter canister 10-25, 10-27  
air filter evacuator 10-25, 10-27  
alternator 8-33, 8-35  
alternator belt 8-35  
arbor 15-3  
arm  
A- 6-7  
governor 13-17  
lower 6-7  
rocker 8-47  
valve rocker 9-11  
arm, swing 6-13, 6-15  
assembly  
accelerator pedal 5-3  
adjusting bolt 8-29  
alternator 8-33  
bearing case cover 8-19  
brake line 4-9  
brake pedal 5-5, 5-7, 5-9  
brake rotor 13-3, 13-21  
brush guard 1-3, 1-5  
bucket seat 1-9  
camshaft 8-21, 9-13  
case, main bearing 8-19  
connecting rod 8-23, 9-13  
crankcase cover 9-9  
cylinder head cover 8-13  
drain cock 8-5  
filler cap 4-7  
forward/reverse 7-7, 13-11  
fuel camshaft 8-27  
fuel cap 10-9  
fuel filter 10-7  
fuel injection pump 8-37  
fuel pump 10-7, 10-13  
fuel tank vent 10-5, 10-9  
gear case 13-13, 13-23  
governor 9-9  
governor arm 13-17  
governor fork 8-43  
governor fork lever 8-43  
headlight 7-13  
hinge, tilt bed 1-13  
idle apparatus 8-29  
inner ball joint 6-5  
intake manifold 8-49  
muffler 13-3  
nozzle holder 8-41  
oil pump 8-17  
oil pump cover 9-9

overflow pipe 8-41  
park brake pedal 5-7, 5-9  
pinion 13-23  
piston ring 8-23, 8-55  
reservoir, remote 4-7  
rocker arm 8-47  
slide adjuster 13-3  
speed plate 8-39  
tailgate 1-17  
tank, coolant expansion 14-5  
tether 1-17  
thermostat 14-9  
tilt bed 1-13  
tire 2-3, 2-5  
valve, lifter 9-13  
valve, solenoid 10-11  
water pump 14-11  
wire 7-23, 7-25, 10-5, 10-9  
assembly, sub-  
A-arm, upper 6-7  
fly weight 13-17  
front differential upright 13-3  
gear case 13-13  
governor spool 13-17  
moveable drive clutch 12-9, 12-11  
spider 12-9, 12-11  
stationary 12-9, 12-11  
swingarm 6-13, 6-15  
weight clutch 12-9, 12-11  
axle 13-21  
axle tube 13-23  
axle, rear, guard mounts 13-21

## B

ball  
check 8-21  
crankshaft 8-23  
governor 8-27  
injection pump 8-27  
steel 9-9  
valve 8-11  
ball joint 6-7, 13-3, 13-19  
band, pipe 14-9, 14-13  
banjo bolt 4-3, 4-5  
bar clamp 14-7  
bar, side step 1-19  
bar, sway 6-11  
barb, vent 10-3, 10-7  
barrier, heat 1-11  
base, seat holder 1-11  
battery clamp 7-23, 7-25  
battery discharge machine 15-3  
battery terminal protector spray 15-3  
battery thermometer 15-3  
battery, 12-volt 7-23, 7-25  
bearing

# INDEX

- ball (steering pinion) 6-5
- lower pinion 6-5
- needle 9-13, 13-5, 13-13, 13-15, 13-23
- radial ball 9-13
- bearing and oil seal remover 15-3
- bearing case cover 8-19
- bearing case, main 8-19
- bearing driver set 15-3
- bearing puller 15-3
- bearing puller wedge 15-3
- bed, tilt 1-13
- bell crank kit 4-13
- bellcrank 5-9, 13-15
- bellows 6-5, 13-21
- belt guard 8-35
- belt, alternator 8-35
- belt, drive 12-7
- belt, V- 8-33
- bezel, fuel fill 1-19
- block, differential spacer 13-3
- block, engine 8-5
- block, fuse 7-15, 7-17
- bobbin, coil with press fit 13-5
- body wrap 1-21
- body, front 1-3, 1-5
- bolt
  - adjusting 8-29
  - banjo 4-3, 4-5
  - drain plug 9-9
- bracket
  - actuator 1-15
  - anti-sway bar 6-11
  - brake line 4-9, 6-7
  - brake pedal 5-5
  - choke cable 10-13
  - coolant bottle 14-5
  - cover inlet 12-5
  - equalizer 4-11, 4-13
  - governor arm 10-23
  - governor cable 10-23
  - hydraulic line 4-9, 6-13, 6-15
  - muffler 11-3, 11-5
  - oil filter mount 9-15
  - park brake 5-9
  - radiator mount, upper 14-3
  - rocker arm 8-47
  - seatbelt 1-11
  - steering support 1-7
  - transmission cable 8-3, 9-3, 13-19
  - transmission mounting 8-3, 9-3
- brake adjustment tool 15-3
- brake cable 4-13
- brake cable release tool 15-3
- brake caliper 4-3, 4-5
- brake caliper return spring 4-5
- brake fluid reservoir 4-7
- brake line 4-9
- brake pad service kit 4-3, 4-5
- brake pedal 5-5, 5-7, 5-9
- brake pedal adjustment tool 15-3
- brake pedal tension tool 15-3
- brake return spring 4-11, 4-13
- brake rotor 13-3, 13-21
- brake, park, cable pulley kit 4-11
- breather cover 8-13
- breather shield 8-13
- breather tube 8-13, 10-13
- breather valve 8-13, 9-13
- brush guard 1-3, 1-5
- bucket seat 1-9
- buckle, seatbelt 1-11
- bulb, headlight 7-13
- bullet, detent 13-15
- bumper
  - bed 1-15
  - rubber 1-17
  - stud 14-3
- bushing 1-15
  - A-arm 6-7
  - anti-sway bar 6-11
  - arm, lower 6-7
  - flanged bronze 8-21
  - forward/reverse 7-7, 13-11
  - greaseless 5-3, 5-5
  - link 6-11
  - Permgilide 13-5
  - piston pin 8-23, 8-55
  - pivot, urethane 6-13, 6-15
  - plain 13-7
  - return line 10-9
  - self-lubricating 13-5
  - steel 1-13
  - teflon 6-13, 6-15
  - urethane 1-13
- button, thrust 13-5
- buzzer, reverse 7-7, 13-11
- C**
- cable
  - accelerator 10-15, 10-19
  - bell crank 4-13, 5-9
  - brake 4-13
  - choke 10-17
  - governor 10-23
  - IQDM 15-7
  - park brake 4-11
  - transmission 13-19
- cage, roll 13-5
- calibration test module 15-3
- caliper, brake 4-3, 4-5
- cam installation tool 15-3
- camshaft 8-21, 9-13
- camshaft, fuel 8-27
- canister, air filter 10-25, 10-27
- cap
  - air filter 10-25, 10-27
  - bolt assembly 8-29
  - connecting rod 9-13
  - filler 4-7
  - fuel 10-9
  - fuel tank 10-5
  - inlet 12-5
  - noise suppressor 9-5, 9-7
  - oil filler 9-9
  - pressure 14-5
  - radiator 14-3
  - rubber 13-3
  - sealing 8-5, 8-9
  - spark plug 9-5, 9-7
  - speed control plate 8-39
  - steering wheel 6-3
  - valve 8-47
- cap, front corner 1-17
- carburetor air vent tube 10-3, 10-7
- carburetor float level tool 15-7
- carburetor, Honda 10-11
- card, safety first 15-9
- case
  - gear 8-11, 13-13, 13-21, 13-23
  - governor ball 8-27
  - main bearing 8-19
- case cover, bearing 8-19
- chain, transmission 13-13
- charge coil 9-7
- charger bezel tool 15-3
- choke cable 10-17
- clamp
  - bar 14-7
  - battery 7-23, 7-25
  - breather tube 8-13
  - hose 10-3, 10-7
  - p- (fuel filter) 1-3, 1-5, 4-9, 8-3, 9-3, 10-7
  - pipe 8-41
  - wire 9-7, 9-13
- clevis pin 4-7
- clip
  - hair pin 1-17
  - clip, brake line 4-9, 10-15, 10-17, 10-19, 13-19
  - clip, breather tube 10-13
  - clip, governor 9-9
  - clip, meter 7-19, 7-21
  - clip, piston pin 9-13
  - clip, return pipe 8-41
  - clip, tube 10-3, 10-13
  - clip, wire harness 10-13
- closeout 1-9

# INDEX

- clutch 12-13
  - clutch alignment tool 15-5
  - clutch cover 12-9, 12-11
  - clutch housing 13-5
  - clutch removal tool 15-3
  - clutch tool kit 15-5
  - clutch, diesel 12-11
  - clutch, gas 12-9
  - coil
    - charge 9-7
    - ignition 9-7
    - pocket insert 13-5
  - coil with press-fit bobbin 13-5
  - collar, alternator assembly 8-33, 8-35
  - collar, crankshaft 8-23
  - collar, idle gear 8-21
  - collar, lever 8-39
  - collet 8-47
  - column, steering 6-3
  - communication display module 15-5
  - compression gauge 15-5
  - compressor, piston ring 15-9
  - compressor, valve spring 15-11
  - connecting rod 8-23, 9-13
  - connector, relay 7-15, 7-17
  - console, drink holder 1-9
  - continuity tester 15-5
  - coolant exchanger 14-3
  - coolant expansion tank 14-5
  - coolant fill tee 14-3
  - coolant lamp sensor 14-9
  - coolant pipe 14-7
  - coolant pipe mounting tab 14-7
  - coolant temperature indicator light 7-21
  - cooling fan 9-5, 14-3
  - cord, glow plug 8-41
  - corner cap 1-17
  - cotter, rue ring 6-13, 6-15
  - cover 9-9
    - alternator assembly 8-33
    - bearing case 8-19
    - breather 8-13, 9-13
    - cargo box 1-21
    - clutch 12-9, 12-11
    - crankcase 9-9
    - CVT 8-3, 9-3, 12-3, 12-5, 12-9, 12-11
    - cylinder head 8-13
    - electrical 7-15, 7-17
    - engine 10-21
    - fan 9-5
    - fuel camshaft 8-5
    - head 9-11
    - head filler 9-11
    - heat proof 8-51
    - input 13-7
    - oil filter 9-9
    - oil pump 9-9
    - thermostat 14-9
  - cover plate, output 13-5
  - cover, steering column 6-3
  - cowl 1-3, 1-5
  - cowl support, ROPS 1-3, 1-5, 1-11
  - crank 8-23
  - crankcase 9-9
  - crankcase cover 9-9
  - crankshaft 8-23, 9-13
  - C-type stop ring 6-5
  - cup holder, seat 1-9
  - cutter, valve seat 15-5, 15-11
  - CVT 12-13
  - CVT cover kit, sealed 12-5
  - CVT cover kit, unsealed 12-3, 12-5
  - cylinder head 8-9, 9-11
  - cylinder head cover 8-13
  - cylinder, master 4-7
- D**
- dash, front 1-7
  - dashboard 1-3, 1-5
  - decal
    - bed 3-11
    - bed load warning 3-3, 3-7
    - cowl 3-11
    - crush area warning 3-3, 3-7
    - diesel 3-11
    - diesel fuel only 3-7
    - driver/passenger 3-5, 3-9
    - ground warning 3-5, 3-9
    - high capacity 3-11
    - hot manifold warning 3-9
    - hot surface warning 1-9, 3-5, 3-9, 14-7
    - Husqvarna tailgate 1-17, 3-11
    - operating instructions 3-5, 3-9
    - ROPS certification 1-11, 3-3, 3-7
    - rotating parts 3-3
    - rotating parts and hot manifold 3-5, 3-9
    - rotating parts warning 3-7, 3-9
    - side panel 3-11
    - trailer hitch 3-3, 3-7
    - under 16 warning 1-11, 3-3, 3-7
    - vehicle loading 3-3, 3-7
    - warning, diesel instrument panel 3-7
    - warning, gas instrument panel 3-3
    - winch cable warning 3-5, 3-9
  - deflector oil 13-13
  - diaphragm tube 10-13
  - diesel tachometer probe 15-9
  - differential housing 13-23
  - differential, front 13-5
  - diode, engine stop 9-7
  - dipstick, oil 9-9
  - disc 4-11
- E**
- E-clip 4-11, 4-13
  - elbow 10-9
  - end, tie rod 6-5
  - engine block 8-5
  - engine, diesel, Kubota D722 with closed breather 8-3
  - engine, Honda 9-3
  - equalizer 4-11, 4-13
  - exchanger, engine coolant 14-3
  - exhaust header 11-3
  - exhaust valve 8-47, 9-11
  - expansion tank, coolant 14-5
- F**
- fan shroud 14-3
  - fan, cooling 9-5, 14-3
  - fastener, push-in 7-15, 7-17
  - fender, front 1-3, 1-5
  - fender, rear 1-19
  - filler cap 4-7
  - filter
    - air 10-25, 10-27
    - fuel 10-3, 10-7, 10-13
    - inlet cover 12-5
    - oil 8-7, 8-11, 9-15
  - filter, air, canister 10-25, 10-27
  - fitting, thread-forming grease 6-13, 6-15
  - flange, water 14-9
  - float set 10-11
  - floor mat 1-3, 1-5
  - floor plate, bed 1-13
  - fly weight 13-17

# INDEX

flywheel 8-25, 9-7  
flywheel puller 15-7  
FNR shifter bracket 8-3, 9-3, 13-19  
fork, transmission 13-17  
forward/reverse assembly 7-7, 13-11  
Forward/Reverse shifter 7-7, 13-11  
frame, tilt bed 1-13  
front body 1-3, 1-5  
front differential 13-5  
front panel 1-19  
fuel camshaft 8-27  
fuel cap 10-9  
fuel filter 10-3, 10-7, 10-13  
fuel gauge sending unit 10-5, 10-9  
fuel injection pump 8-37  
fuel pickup tube 10-9  
fuel pump 10-7, 10-13  
fuel tank (diesel) 10-9  
fuel tank (gasoline) 10-5  
fuel tank cap 10-5  
fuel tank strap 10-3, 10-7  
fuel tank vent 10-5, 10-9  
fuel tank, diesel 10-9  
fuel tank, gas 10-5  
fuel tube 10-13  
fuel-hour gauge 7-19, 7-21  
fuse  
    10-amp 7-15, 7-17  
    25-amp 7-15, 7-17  
    30-amp 7-17  
fuse block 7-15, 7-17

## G

gasket  
    bearing case 8-19, 8-53  
    breather cover 9-13  
    carburetor 10-13  
    carburetor adapter 10-13  
    carburetor bowl 10-11  
    case cover 9-9  
    clutch cover 12-9, 12-11  
    control plate 8-39, 8-53  
    cover 8-19, 8-53, 12-5  
    cylinder head 8-9, 8-53, 9-11  
    cylinder head cover 8-13, 8-53, 9-11  
    drain plug 8-7  
    exhaust 8-53, 11-3, 11-5  
    ex-manifold 8-51, 8-53  
    fuel pump 8-5, 8-53  
    gearcase 8-11, 8-53  
    head cover 8-53  
    head cover nut 8-29, 8-39, 8-41, 8-53  
    idle apparatus 8-29, 8-53  
    intake manifold 8-49, 8-53, 9-11, 10-13  
    liquid 15-7  
    nozzle 8-41

oil pump 8-17, 8-53  
sending unit 10-5, 10-9  
thermostat 8-53, 14-9  
water flange 8-53, 14-9  
water pump 8-53, 14-11  
gauge, compression 15-5  
gauge, fuel-hour 7-19, 7-21  
gauge, oil 8-15  
gear  
    cam 8-21  
    case 8-11, 13-13, 13-21, 13-23  
    crank 8-23  
    helical 13-15, 13-17  
    idle 8-21  
    injection pump 8-27  
    oil pump drive 8-17  
    ring 8-25, 13-5, 13-23  
gear ring engagement 13-15  
gear yoke 15-7  
glow plug 8-41  
glow plug cord 8-41  
governor 9-9  
governor arm 13-17  
governor cable 10-23  
governor fork lever 8-43  
governor guard 10-23  
governor lever 8-39  
governor shaft installation tool 15-7  
governor spool 13-17  
governor wire 10-23  
grid, screen 9-5  
grill 1-3  
grip tape, accelerator pad 5-3  
grommet 10-5, 10-9, 10-13, 13-5  
grommet tool 9-7  
guard  
    brush 1-3, 1-5  
    governor 10-23  
    radiator 14-3  
    splash 1-7  
guard, belt 8-35  
guide  
    accelerator cable 5-3  
    detent bullet 13-15  
    exhaust valve 8-9  
    inlet valve 8-9  
    oil gauge 8-15  
    valve seat cutter 15-11  
guide ring adhesive 15-3

## H

hair pin clip 1-17  
half shaft 13-3  
handle, park brake 5-7, 5-9  
hanger, engine 9-5  
harness, headlight 7-13

harness, wire 7-5, 7-11  
head, cylinder 8-9, 9-11  
header, exhaust 11-3  
headlight assembly 7-13  
headlight bulb 7-13  
headlight harness 7-13  
headlight spacer 7-13  
heat barrier 1-11  
heat seal 8-41  
helical gear 13-15, 13-17  
hinge plate 1-9  
hinge, tilt bed 1-13  
holder  
    drink 1-9  
    fork lever 8-43  
    screen grid 9-5  
Honda engine 9-3  
hook, engine 8-9  
hose 14-5  
    coolant 14-3, 14-7  
    fuel filter 10-7  
    fuel pump 10-7  
    fuel return 10-7  
    inlet cover 12-5  
    intake 10-25, 10-27  
    oil, remote 9-15  
    overflow 8-41  
    vent 8-3, 9-3, 13-3, 14-5, 14-7  
hose, outlet 12-3, 12-5  
housing  
    clutch 13-5  
    differential 13-23  
    Mate-N-Lock 13-5  
    steering gear 6-5  
hub 4-11  
hub, race/output 13-5  
hydraulic brake adjuster 15-7  
hydrometer 15-7

## I

idle apparatus 8-29  
idle gear 8-21  
ignition coil 9-7  
injection pump gear 8-27  
inlet valve 8-47, 9-11  
insert, carburetor adapter 10-13  
insulator, carburetor 10-13  
intake adapter, engine 10-13  
intake manifold 8-49  
internal retaining ring pliers 15-7  
IQ display module (IQDM) 15-7  
isolator ring and bushing 8-3, 9-3  
isolator, twin stud 14-3

# INDEX

- J**  
jet, main 10-11  
joint  
  ball 6-7, 13-3, 13-19  
  eye 8-37  
  pipe 8-11
- K**  
key  
  feather 8-17, 8-21, 8-23, 8-27  
  pair 7-21  
  woodruff 9-7, 9-13  
key (pair) 7-19  
key switch 7-19, 7-21  
key switch spacer 7-19  
keyswitch nut 7-19  
kit  
  anti-sway 6-11  
  bolt 13-5  
  brake pad service 4-3, 4-5  
  brake pedal adjustment tool 15-3  
  camo cover 1-21  
  clutch 13-5  
  cover plate, input 13-7  
  cover plate, output 13-5  
  drain plug 13-5  
  forward gear repair 13-15  
  gasket 8-53  
  governor shaft repair 13-17  
  H-clip spring 13-5  
  input shaft repair 13-17  
  IQ display module (IQDM) 15-7  
  neutral switch repair 13-15  
  nozzle holder 8-41  
  park brake handle 5-7, 5-9  
  piston rebuild 8-55  
  race output hub 13-5  
  rear axle gear repair 13-23  
  repair, minor 13-5  
  reverse gear repair 13-13  
  roll cage 13-5  
  roller 13-5  
  ROPS 1-11  
  transmission shift shaft repair 13-15  
  tune-up 15-9  
knob, forward/reverse 7-7, 13-11  
knob, light switch 7-19, 7-21  
knuckle, slider steering 6-3
- L**  
latch, access panel 1-3, 1-5  
latch, slam 1-17  
latch, spring 1-17  
lever  
  engine stop 8-39
- fork 8-43  
governor 8-39  
lost motion 5-3  
speed control 8-39  
light  
  oil 7-19, 7-21  
light switch 7-19, 7-21  
light switch knob 7-19, 7-21  
light, coolant temperature indicator 7-21  
limit switch 7-7, 13-11  
line, brake reservoir 4-7  
link, drag 6-5  
liquid gasket 15-7  
low oil warning light 7-19, 7-21  
lubricant, dry moly 15-7  
lubricant, moly-teflon 15-7
- M**  
main jet 10-11  
manifold  
  exhaust 8-51  
  inlet 9-11, 10-13  
  intake 8-49  
mat, floor 1-3, 1-5  
Mate-N-Lock housing 13-5  
Mate-N-Lock pin 13-5  
meter clip 7-19, 7-21  
meter, volt ohm 15-11  
module  
  calibration test 15-3  
  communication display 15-5  
moly-teflon lubricant 15-7  
motor  
  starter 8-45, 9-7  
mount, link 6-11  
moveable drive clutch 12-9, 12-11  
muffler 11-3, 11-5, 13-3
- N**  
nipple, remote oil 9-15  
noise suppressor cap 9-5, 9-7  
nongrease/spacers locker 13-23  
nozzle holder 8-41  
nozzle, main 10-11  
nut, keyswitch 7-19  
nut, toggle switch 7-19, 7-21
- O**  
oil deflector 13-13  
oil dipstick 9-9  
oil filter 8-7, 8-11, 9-15  
oil filter screen 9-9  
oil pan 8-7  
oil pressure switch 8-5, 9-7  
oil pump 8-17  
oil pump drive gear 8-17  
oil seal 8-11, 8-19, 9-9, 9-13, 13-5, 13-7  
oil slinger 8-23  
oil warning light, low 7-19, 7-21  
O-ring 8-5, 8-7, 8-9, 8-11, 8-13, 8-23, 8-31, 8-39, 8-53, 9-15, 13-5, 13-7  
overflow pipe 8-41
- P**  
paint, touch-up 15-7  
pan  
  center 1-9  
  oil 8-7  
  seat 1-9  
panel  
  access 1-3, 1-5  
  left 1-17  
  right 1-17  
  side 1-19  
panel, front 1-17, 1-19  
park brake cable 4-11  
park brake pedal 5-7, 5-9  
p-clamp (fuel filter) 1-3, 1-5, 4-9, 8-3, 9-3, 10-7  
pedal, accelerator 5-3  
pedal, brake 5-5, 5-7, 5-9  
pin, clevis 4-7  
pin, dowel 13-5  
pin, Mate-N-Lock 13-5  
pin, piston 8-23, 8-55, 9-13  
pin, slide, caliper slide pin 4-3, 4-5  
pinion 13-23  
pinion, steering 6-5  
pipe  
  breather 8-49  
  coolant 14-7  
  exhaust 11-3, 11-5  
  injection 8-41  
  overflow 8-41  
  water 14-13  
  water return 8-13, 14-9  
pipe band 14-9, 14-13  
pipe clamp 8-41  
pipe, coolant 14-7  
piston 8-23, 8-55, 9-13  
piston pin 8-23, 8-55, 9-13  
piston ring 8-23, 8-55  
piston ring compressor 15-9  
piston ring pliers 15-9  
piston ring set 9-13  
pivot, rocker arm 9-11  
plate  
  armature 13-5  
  back 1-13, 1-15  
  cover, output 13-5  
  electrical 7-15, 7-17

# INDEX

- engine block 8-5
- engine mounting 8-3, 9-3
- engine, left side 9-5
- floor, bed 1-13
- fuel/oil 9-15, 10-7
- hinge 1-9
- push rod guide 9-11
- shroud 8-25, 9-5
- speed 8-39
- speed control 8-39
- thrust 13-5
- pliers
  - internal retaining ring 15-7
  - piston ring 15-9
  - retaining ring 15-9
- plug
  - drain 8-7
  - driven clutch puller 15-5
  - engine block 8-5, 8-9, 8-11, 13-13, 13-21
  - expansion 8-5
  - gearcase 13-13, 13-21
  - glow 8-41
  - oil drain 13-5
  - oil fill 13-5
  - oil filler 8-13
- plug, spark 9-7, 9-11
- press weldment 15-5
- prop shaft 13-9
- protector spray, battery terminal 15-3
- puller
  - bearing 15-3
  - clutch 15-3
  - drive clutch 15-5
  - drive clutch hub 15-5
  - driven clutch cam 15-5
  - flywheel 15-7
  - seal 15-9
  - special use tool 15-9
- pulley
  - fan drive 8-33, 8-35
  - mount 4-11
  - water pump 8-33, 8-35
- pulley, brake, park, cable, kit 4-11
- pullrod, compression spring 5-3
- pump
  - fuel 10-7, 10-13
  - fuel injection 8-37
  - oil 8-17
  - water 14-11
- push rod 8-21, 9-11
- R**
- rack guide pressure spring 6-5
- rack, steering 6-5
- radiator 14-3
- radiator cap 14-3
- radiator guard 1-5, 14-3
- radiator pipe 14-7
- reamer, valve guide 15-9
- receiver, rear 6-13, 6-15
- receptacle, accessory 7-19, 7-21
- regulator, voltage 9-15
- relay 7-15, 7-17
- relay connector 7-15, 7-17
- remover, bearing and oil seal 15-3
- reservoir, brake fluid 4-7
- reservoir, remote 4-7
- retainer
  - spring (driven clutch) 12-13
  - valve spring 8-47, 9-11
- retaining ring 13-3
- retaining ring pliers 15-9
- retractor, seat belt 1-11
- reverse buzzer 7-7, 13-11
- ring
  - piston 8-23, 8-55
  - snap 6-5
- ring gear 8-25, 13-5, 13-23
- ring set, piston 9-13
- ring, C-type stop 6-5
- ring, retaining 13-3
- rivet, blind push 1-7
- rocker arm 8-47
- rocker arm pivot 9-11
- rod
  - connecting 8-23, 9-13
  - crank crank rod 8-23
  - push 8-21, 9-11
- roll cage 13-5
- roller weight 12-9, 12-11
- roller, torque 12-9, 12-11
- ROPS certification decal 1-11, 3-3, 3-7
- ROPS cowl support 1-3, 1-5, 1-11
- ROPS kit 1-11
- ROPS support tube 1-11
- ROPS top 1-11
- ROPS weldment 1-11
- rotator, valve 9-11
- rotor, brake 13-3, 13-21
- rotor, oil pump 9-9
- rubber bumper 1-17
- S**
- safety first card 15-9
- screen grid 9-5
- screen, oil filter 9-9
- screw, valve clearance adjuster 15-9
- seal
  - dual lip 13-13, 13-15, 13-17, 13-23
  - heat 8-41
  - oil 8-11, 8-19, 9-9, 9-13, 13-5, 13-7
- steering pinion dust 6-5
- triple lip 13-13
- valve stem 8-47, 8-53, 9-11
- seal puller 15-9
- seat
  - bucket 1-9
  - valve 8-11
  - valve spring 9-11
- seat belt retractor 1-11
- seat holder base 1-11
- seat, bucket 1-9
- seatbelt buckle 1-11
- sending unit, fuel gauge 10-5, 10-9
- sensor, coolant lamp 14-9
- service kit, brake pad 4-3, 4-5
- shaft
  - CVT adapter 8-3
  - drive 13-9
  - fork lever 8-43
  - governor arm 9-13
  - governor lever 8-39
  - idle gear 8-21
  - input 13-17
  - intermediate 13-15
  - output 13-17
  - pinion 13-7
  - prop 13-9
  - rock arm 8-47
- shaft shift 13-15
- shaft, half 13-3
- sheave, drive clutch base 12-13
- sheave, driven clutch 12-13
- shield, breather 8-13
- shield, exhaust 11-5
- shift, shaft 13-15
- shim 12-9, 12-11, 13-23
- shim, armature plate 13-5
- shim, injection pump 8-37
- shock absorber 6-9, 6-11, 6-13, 6-15
- shroud 9-5
  - head 9-5
- shroud, fan 14-3
- side panel 1-19
- side step bar 1-19
- slam latch 1-17
- sleeve
  - crankshaft 8-23
  - governor 8-27
  - link 6-11
  - lower suspension 6-7
  - upper suspension 6-7
- slide pin 4-3, 4-5
- slide, adjuster 13-3
- slider, governor 9-9
- slinger, oil 8-23
- snap ring 6-5

# INDEX

- solenoid, stop 8-31
  - spacer
    - engine 8-3
    - headlight 7-13
    - key switch 7-19
  - spacer block, differential 13-3
  - spanner wrench 15-9
  - spark plug 9-7, 9-11
  - spark plug cap 9-5, 9-7
  - speed plate 8-39
  - spider 12-9, 12-11
  - splash guard 1-7
  - spray, battery terminal protector 15-3
  - spring
    - access panel 1-3, 1-5
    - brake caliper return 4-5
    - brake return 4-11, 4-13
    - carburetor 10-23
    - choke spring 10-23
    - compression 10-23, 12-9, 12-11, 12-13
    - continuity 10-13
    - detent bullet 13-15
    - exhaust 11-3, 11-5
    - governor 8-43
    - governor idle 10-23
    - idle apparatus 8-29
    - pedal 5-3
    - pedal stop 5-3
    - rack guide pressure 6-5
    - relief valve 9-9
    - return 8-39
    - rocker arm 8-47
    - start 8-9, 8-43
    - torsion 5-3
    - valve 8-11, 8-47, 9-11
  - spring latch 1-17
  - sprocket 13-13
  - start spring 8-43
  - starter motor 8-45, 9-7
  - stay
    - alternator assembly 8-33
    - cylinder head 8-9
    - fuel pump 10-13
    - spring 8-11
    - stop solenoid 8-31
  - steel bushing 1-13
  - steering column 6-3
  - steering column bearing press tool 15-9
  - steering column cover 6-3
  - steering column retaining ring tool 15-9
  - steering gear housing 6-5
  - steering pinion dust seal 6-5
  - steering rack 6-5
  - steering wheel 6-3
  - steering wheel puller tool 15-9
  - stem, valve 2-3, 2-5
  - step bar, side 1-19
  - stop solenoid stay 8-31
  - stopper, camshaft 8-21
  - stopper, fuel camshaft 8-27
  - strap, fuel tank 10-3, 10-7
  - stud 8-3, 8-37, 8-51, 14-13
    - engine 9-7
    - idle adjustment 8-29
    - self-clinching 1-17
  - support yoke (steering) 6-5
  - support, access panel 1-3, 1-5
  - sway bar 6-11
  - swingarm 6-13, 6-15
  - switch
    - indicator (transmission) 13-15
    - key 7-19, 7-21
    - light 7-19, 7-21
    - limit 7-7, 13-11
    - oil pressure 8-5, 9-7
    - toggle 7-19, 7-21
- ## T
- 12-volt battery 7-23, 7-25
  - tab, coolant pipe mounting 14-7
  - tachometer 15-9
  - tachometer probe, diesel 15-9
  - tailgate 1-17
  - tailgate angle 1-17
  - tank
    - coolant expansion 14-5
  - tank, fuel 10-5, 10-9
  - tank, fuel (diesel) 10-9
  - tank, fuel (gasoline) 10-5
  - tape, grip, accelerator pad 5-3
  - tape, vinyl foam 1-9, 1-13, 14-3
  - tappet 8-21
  - tee, coolant fill 14-3
  - temperature indicator light, coolant 7-21
  - tester, continuity 15-5
  - tether 1-17
  - thermometer, battery 15-3
  - thermostat 14-9
  - thread-forming grease fitting 6-13, 6-15
  - thrust button 13-5
  - thrust plate 13-5
  - tie rod end 6-5
  - tie wrap 1-15, 4-9, 4-11, 4-13, 6-5
  - tilt bed 1-13
  - tilt bed frame 1-13
  - tire 2-3, 2-5
  - toggle switch 7-19, 7-21
  - tool
    - accelerator pedal adjustment 15-3
    - belt tensioning, starter/generator 15-11
    - brake adjustment 15-3
    - brake cable release 15-3
    - brake pedal adjustment 15-3
    - brake pedal tension 15-3
    - cam installation 15-3
    - carburetor float level 15-7
    - charger bezel 15-3
    - clutch alignment 15-5
    - cT-wrench 15-5
    - drive clutch fixed sheave 15-5
    - drive clutch holder 15-5
    - drive clutch spider removal 15-5
    - driven clutch spring compression base 15-5
    - driven clutch spring compression collar 15-5
    - driven clutch spring compression nut 15-5
    - governor shaft installation 15-7
    - grommet 9-7
    - puller, special use 15-9
    - steering column bearing press 15-9
    - steering column retaining ring 15-9
    - steering wheel puller 15-9
    - transaxle axle seal 15-9
    - transaxle pinion seal 15-9
    - transmission 15-9
    - valve guide driver 15-9
    - valve seat cutter 15-5
  - tool kit, clutch 15-5
  - top, ROPS 1-11
  - torque converter 12-13
  - torque roller 12-9, 12-11
  - touch-up paint 15-7
  - transaxle axle seal tool 15-9
  - transaxle housing 13-23
  - transaxle pinion seal tool 15-9
  - transmission cable 13-19
  - transmission cable bracket 8-3, 9-3, 13-19
  - transmission chain 13-13
  - transmission fork 13-17
  - transmission tool 15-9
  - transmission, parallel shaft 13-13
  - tube
    - axle 13-23
    - breather 8-13, 10-13
    - carburetor air vent 10-3, 10-7
    - diaphragm 10-13
    - fuel 10-13
    - fuel pickup 10-9
    - ROPS support 1-11
  - tune-up kit 15-9
  - T-wrench tool 15-5
- ## U
- upright, front differential 13-3
  - urethane bushing 1-13

# INDEX

## V

valve 10-25, 10-27  
breather 8-13, 9-13  
exhaust 8-47, 9-11  
fuel pickup tube 10-5  
inlet 8-47, 9-11  
lifter 9-13  
rocker arm 9-11  
rotator 9-11  
seat 8-11  
solenoid 10-11  
spring seat 9-11  
valve clearance adjuster screw 15-9  
valve guide driver tool 15-9  
valve guide reamer 15-9  
valve seat cutter 15-5, 15-11  
valve seat cutter guide 15-11  
valve seat cutter tool 15-5  
valve seat t-wrench 15-11  
valve spring compressor 15-11  
valve stem 2-3, 2-5  
V-belt 8-33  
vent barb 10-3, 10-7  
vent, housing, upper 13-23  
vent, transmission 13-13  
volt ohm meter 15-11  
voltage regulator 9-15

## W

warning light, low oil 7-19, 7-21  
water flange 14-9  
water pump 14-11  
wedge, bearing puller 15-3  
weight clutch 12-9, 12-11  
weldment  
press 15-5  
weldment, accelerator pedal 5-3  
weldment, accelerator pedal bracket 5-3  
weldment, actuator bracket 1-15  
weldment, air cleaner support 10-25, 10-27  
weldment, brake pedal 5-5  
weldment, coolant pipe 14-7  
weldment, cowl support, ROPS 1-3, 1-5, 1-11  
weldment, dash, front 1-7  
weldment, Forward/Reverse shifter 7-7, 13-11  
weldment, Forward/Reverse shifter bracket 7-7, 13-11  
weldment, lever, lost motion 5-3  
weldment, receiver 6-13, 6-15  
weldment, shaft shift 13-15  
weldment, tilt bed frame 1-13  
weldment, top, ROPS 1-11  
wheel 2-3, 2-5  
wheel, steering 6-3

wire assembly 7-23, 7-25, 10-5, 10-9  
wire harness 7-5, 7-11  
wire harness, electric lift 1-15  
wire, governor 10-23  
wrap, body 1-21  
wrap, tie 1-15, 4-9, 4-11, 4-13, 6-5  
wrench, spanner 15-9

## Y

yoke, gear 15-7  
yoke, support (steering) 6-5