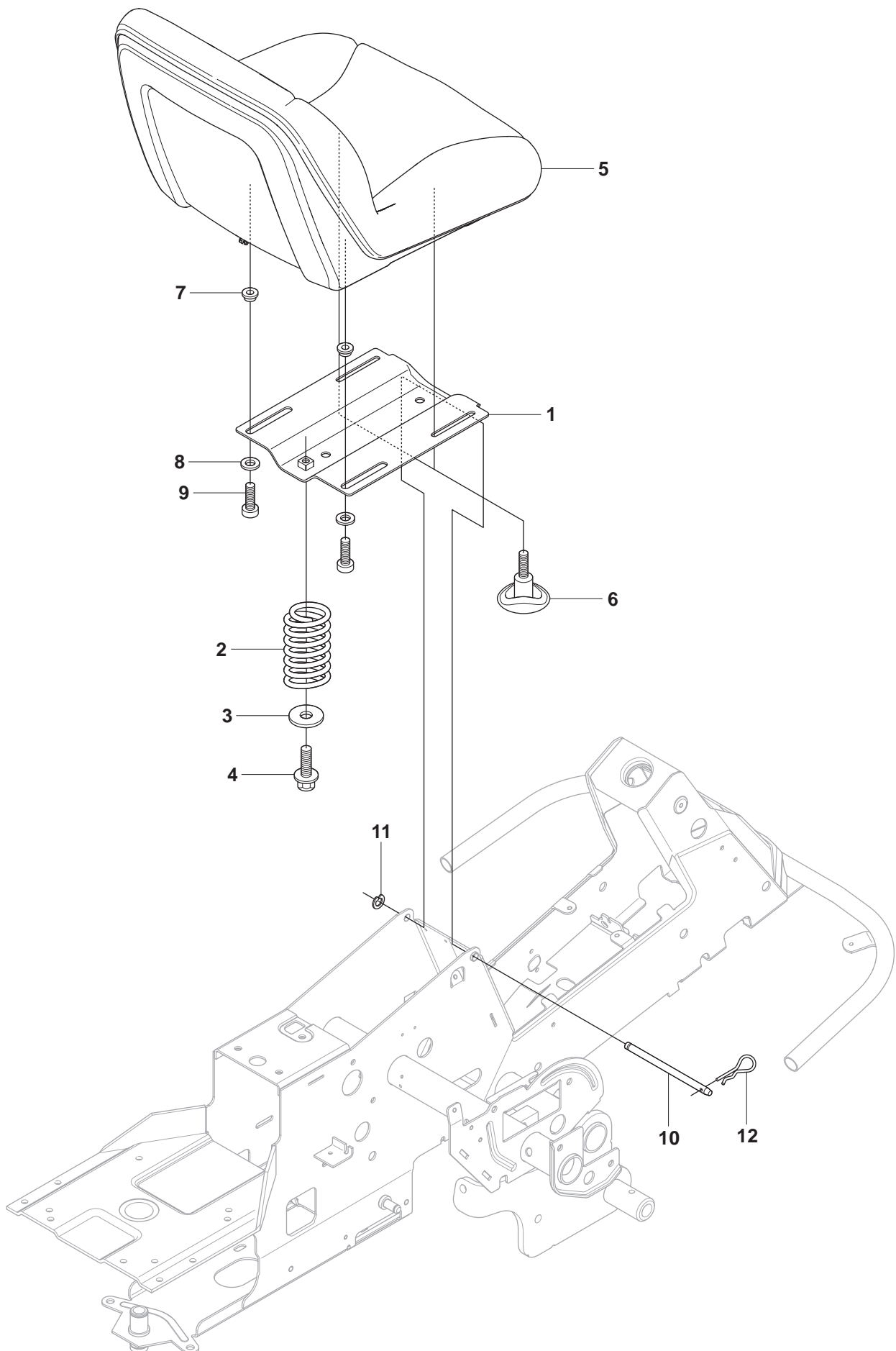


Rider 175 (USA)

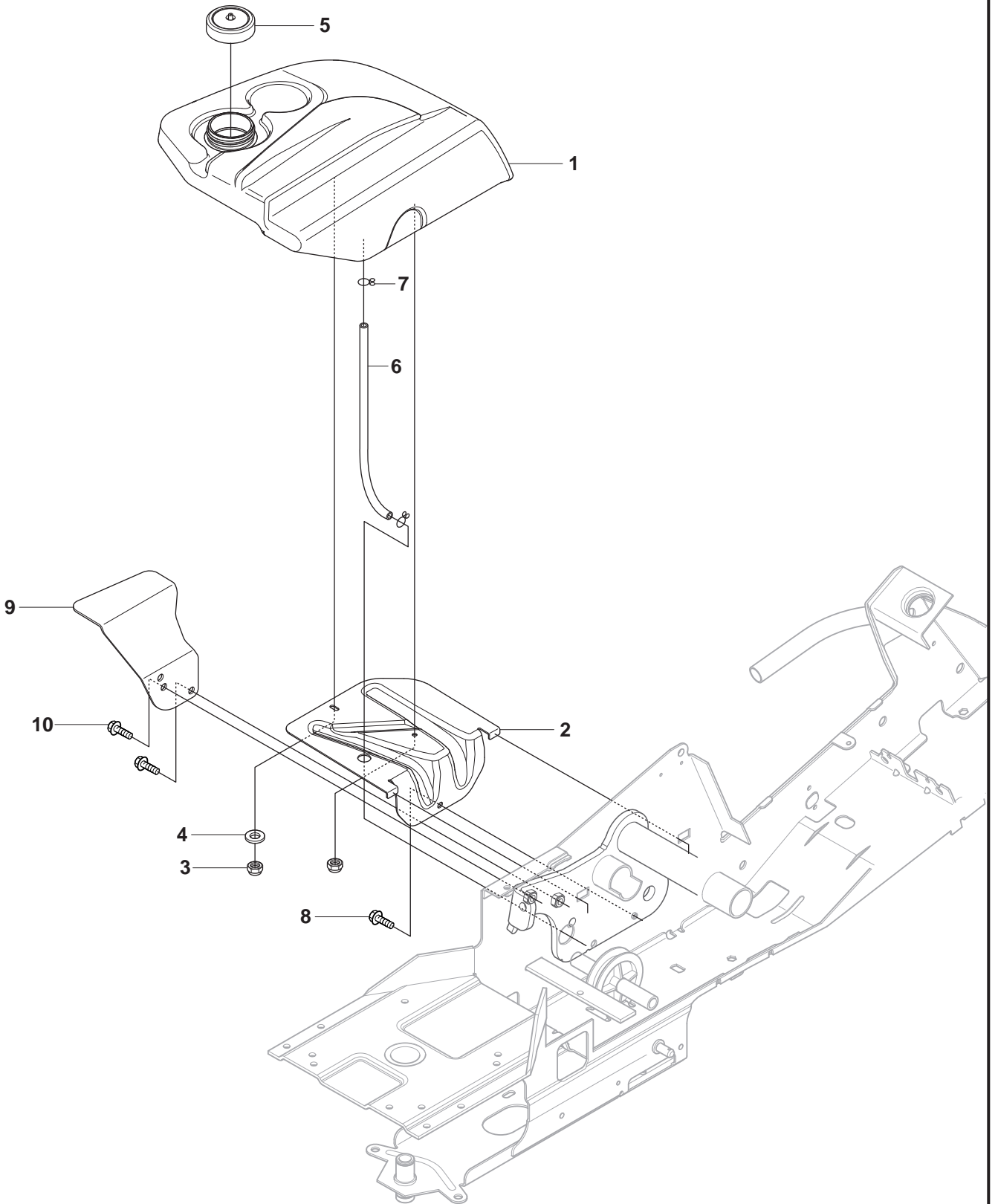
Spare parts
Ersatzteile
Pièces détachées
Reserve onderdelen
Repuestos
Reservdelar

A**966 82 84-01 RIDER R175 US
SEAT, TS2500**

A**966 82 84-01 RIDER R175 US
SEAT, TS2500**

Pos.	Compl No.	Part No.	Description	Qty.	Notes
1		544 32 85-03		1	
2		506 91 53-01		1	
3		734 11 74-41		1	
4		725 24 93-71		1	
5		544 43 33-01		1	
6		506 56 55-01		2	
7		506 56 53-01		2	
8		734 11 64-41		2	
9		506 55 63-01		2	
10		506 50 99-01		1	
11		735 31 12-00		1	
12		506 66 88-01		1	

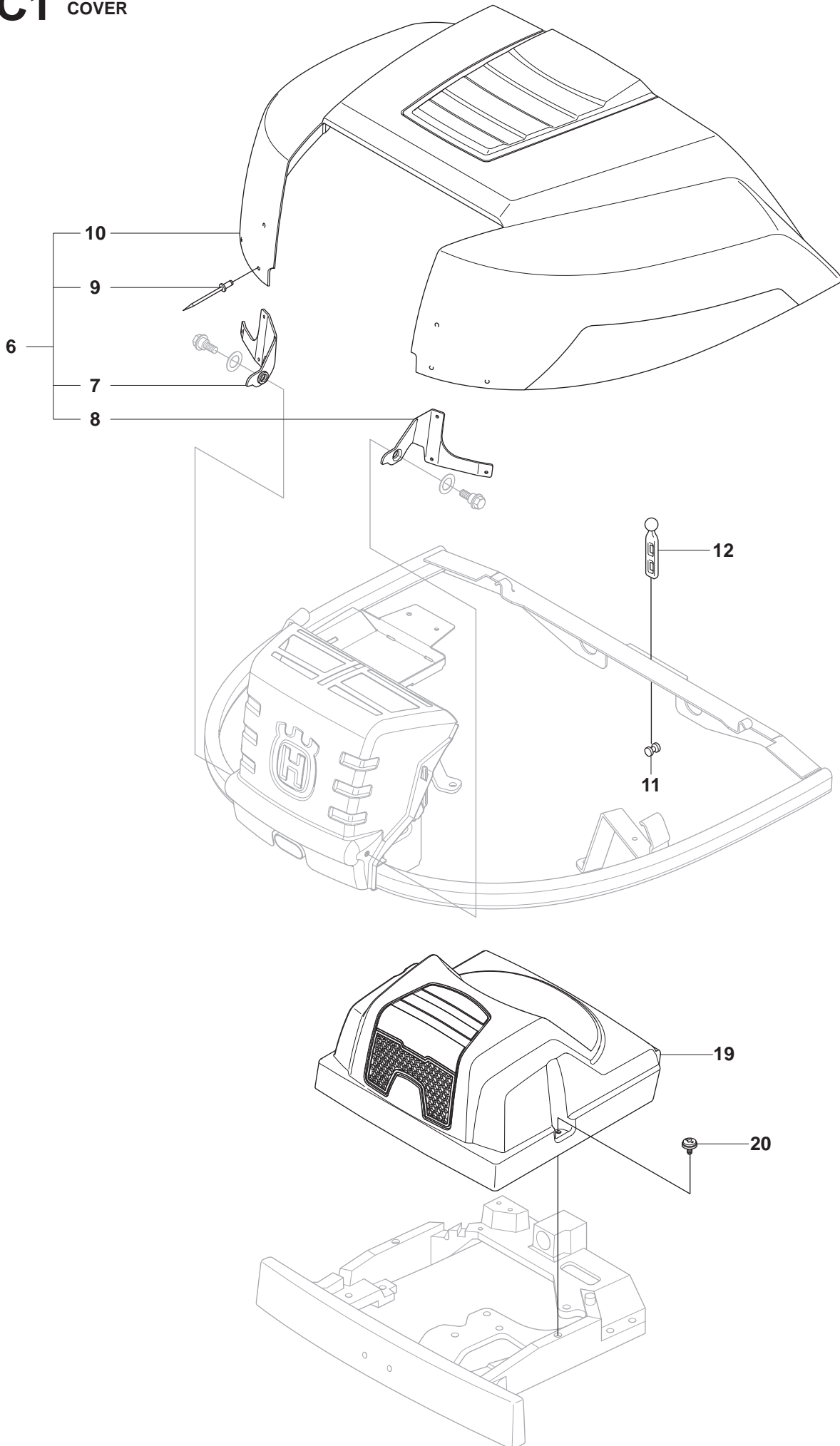
B 966 82 84-01 RIDER R175 US
FUEL SYSTEM



B**966 82 84-01 RIDER R175 US
FUEL SYSTEM**

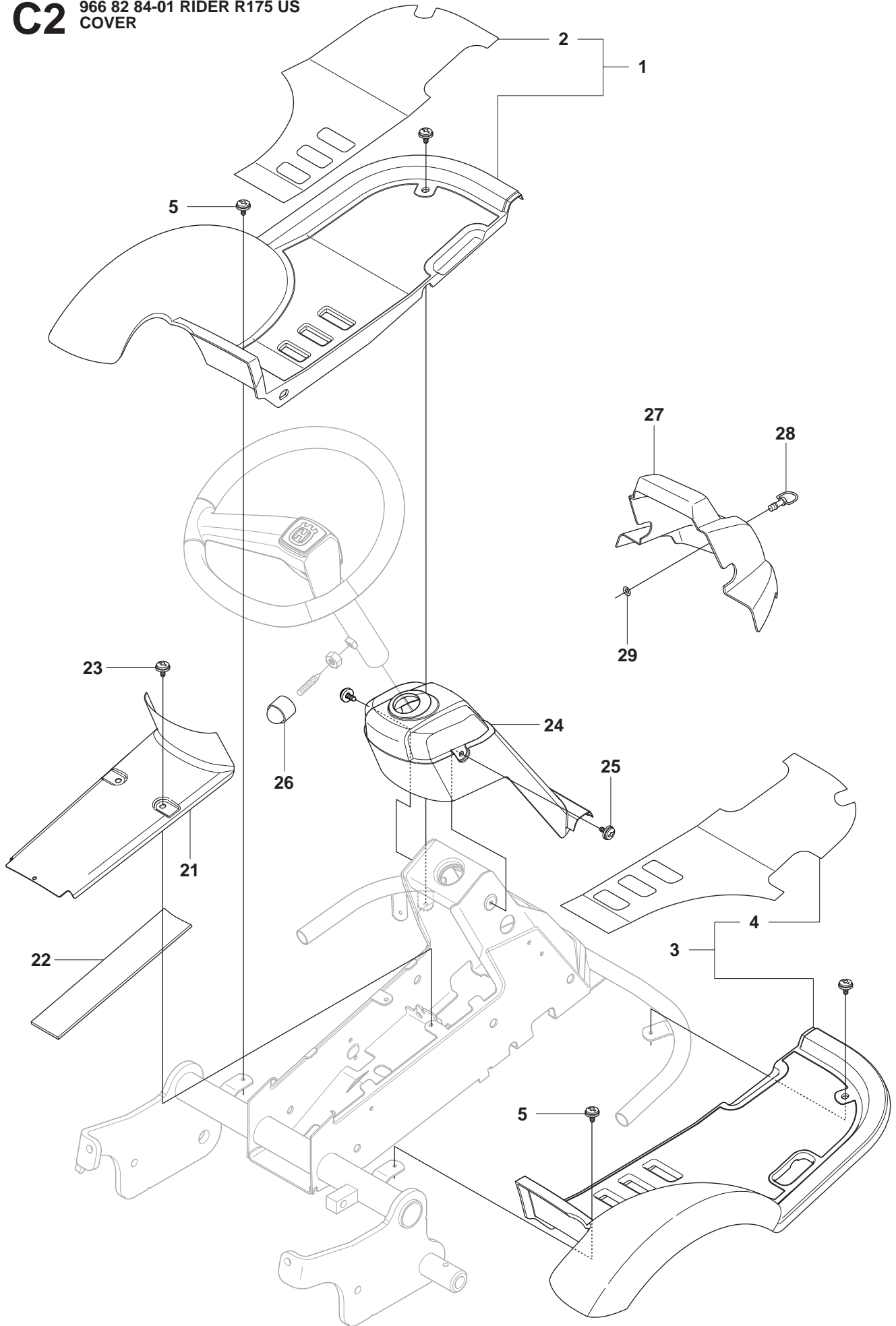
Pos.	Compl No.	Part No.	Description	Qty.	Notes
1		535 50 13-01		1	
2		544 32 93-01		1	
3		732 21 16-01		2	
4		734 11 56-01		1	
5		506 67 33-01		1	
6		506 94 67-07		1	
7		535 46 97-01		2	
8		725 23 64-61		1	
9		501 02 03-01		1	
10		725 24 93-71		2	

C1 966 82 84-01 RIDER R175 US
COVER



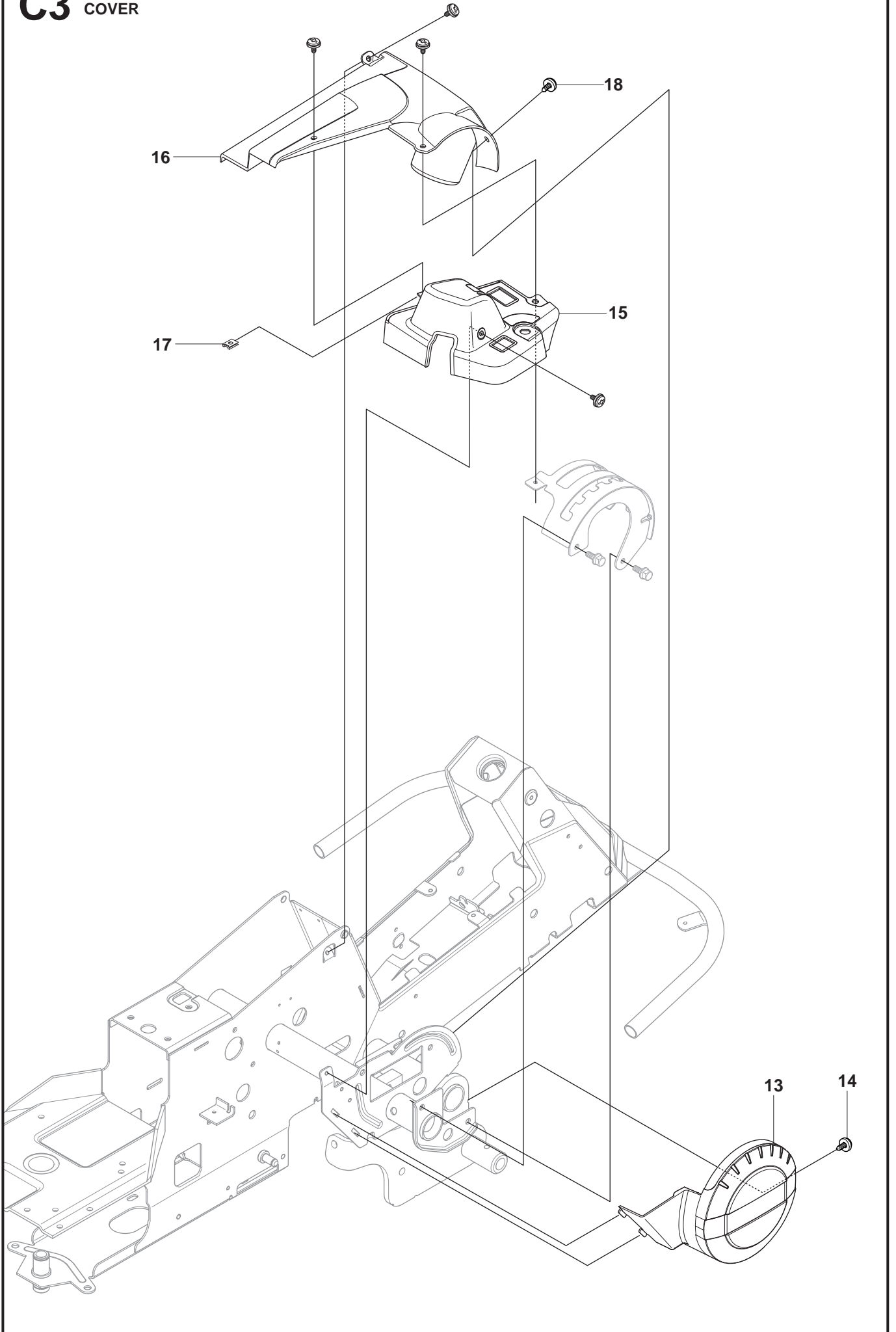
C2

966 82 84-01 RIDER R175 US
COVER



C3

966 82 84-01 RIDER R175 US
COVER

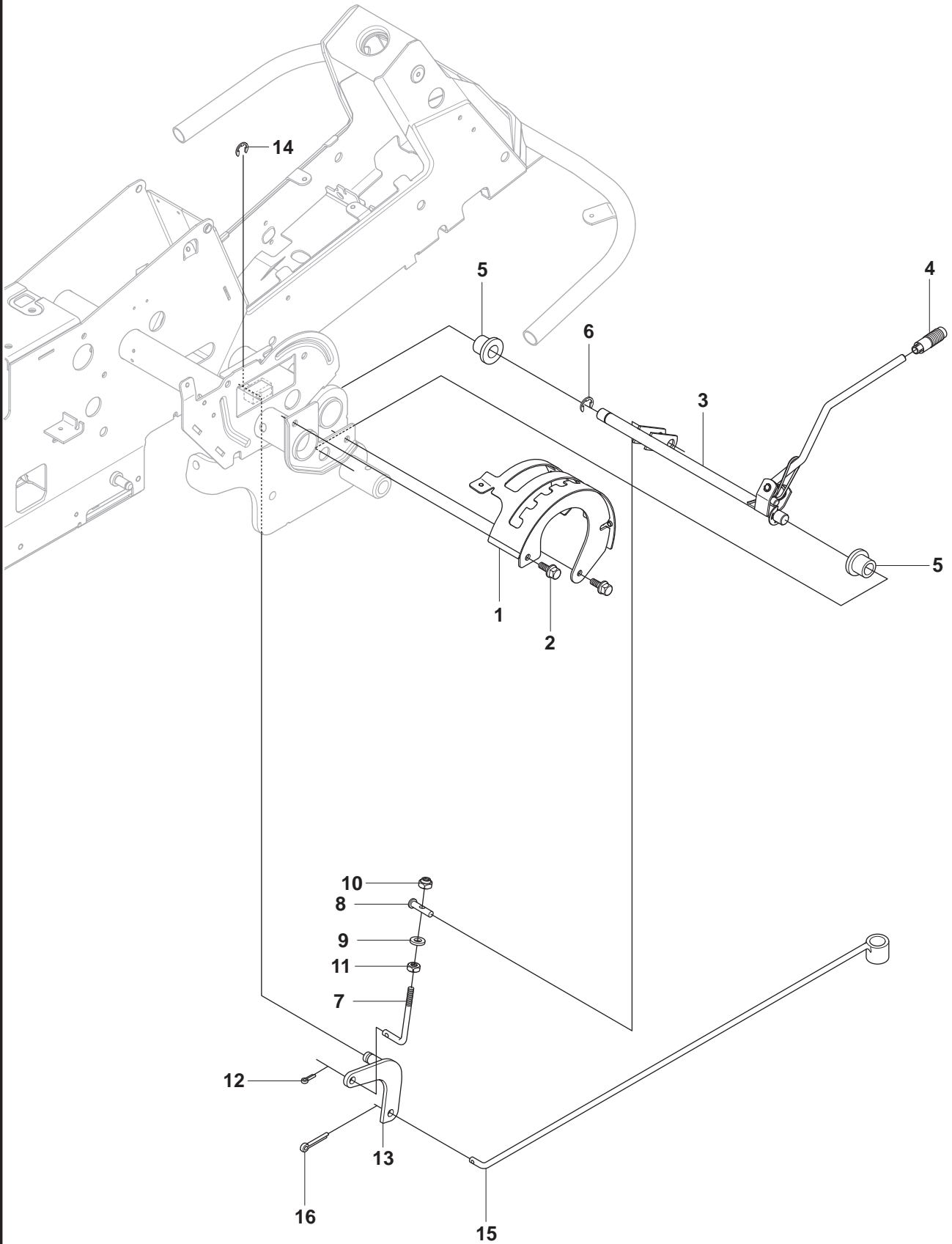




966 82 84-01 RIDER R175 US
COVER

Pos.	Compl No.	Part No.	Description	Qty.	Notes
1		544 89 59-01		1	C2
2	544 89 59-01	544 24 84-01		1	C2
3		544 89 59-03		1	C2
4	544 89 59-03	544 24 84-03		1	C2
5		544 40 05-01		4	C2
6		544 24 50-02		1	C1
7	544 24 50-02	544 24 51-01		1	C1 LEFT
8	544 24 50-02	544 24 51-02		1	C1 RIGHT
9	544 24 50-02	722 79 54-02		6	C1
10	544 24 50-02	544 24 52-02		1	C1
11		506 59 95-01		1	C1
12		506 59 96-01		1	C1
13		535 50 25-01		1	C3
14		544 40 05-01		1	C3
15		544 33 21-03		1	C3
16		544 33 22-02		1	C3
17		535 42 91-01		1	C3
18		544 40 05-01		4	C3
19		544 37 39-01		1	C1
20		544 40 05-01		2	C1
21		544 23 92-01		1	C2
22		544 42 75-01		1	C2
23		544 40 05-01		2	C2
24		544 32 65-01		1	C2
25		544 40 05-01		2	C2
26		544 43 32-01		1	C2
27		535 43 39-01		1	C2
28		506 96 35-01		1	C2
29		506 96 36-01		1	C2

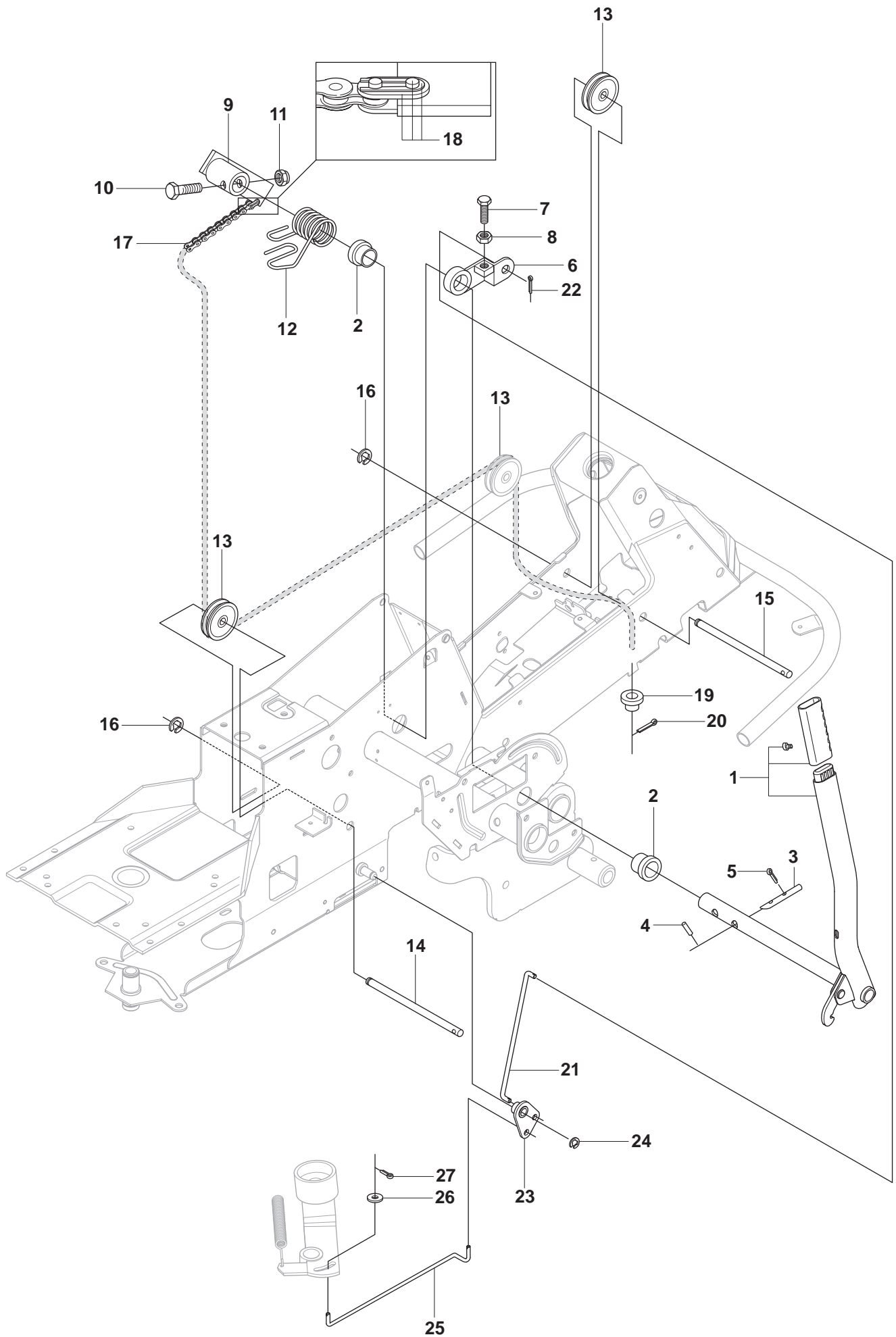
D 966 82 84-01 RIDER R175 US
HEIGHT ADJUSTMENT



D**966 82 84-01 RIDER R175 US
HEIGHT ADJUSTMENT**

Pos.	Compl No.	Part No.	Description	Qty.	Notes
1		535 50 14-01		1	
2		506 57 01-03		2	
3		504 73 45-01		1	
4		506 54 20-01		1	
5		506 55 43-01		2	
6		735 31 22-20		1	
7		506 90 82-01		1	
8		506 78 46-01		1	
9		734 11 72-01		1	
10		732 21 18-01		1	
11		731 23 18-01		1	
12		721 61 83-01		1	
13		506 99 83-01		1	
14		735 31 15-20		1	
15		506 97 51-01		1	
16		721 61 83-01		1	

E 966 82 84-01 RIDER R175 US
MOWER LIFT

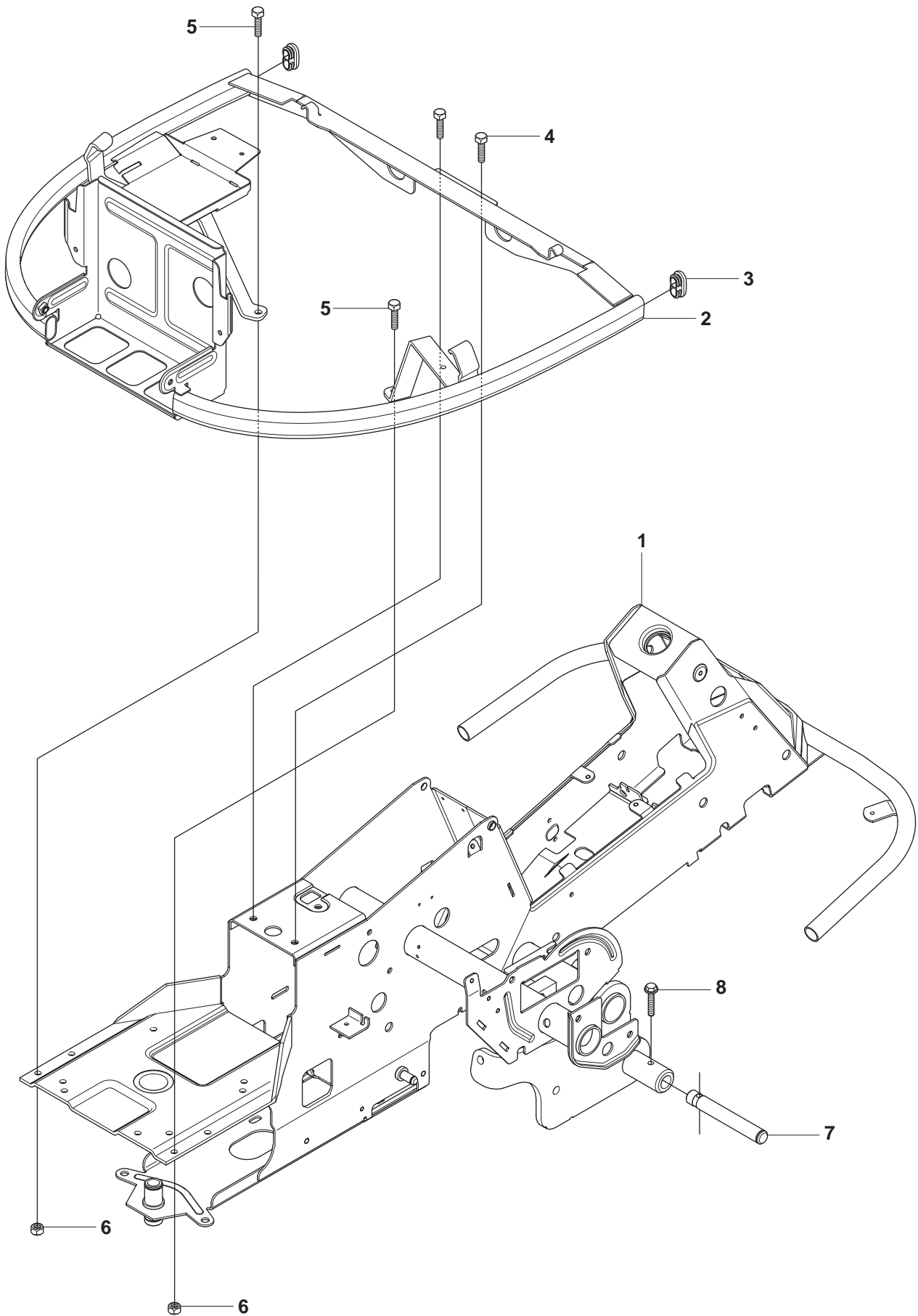




966 82 84-01 RIDER R175 US
MOWER LIFT

Pos.	Compl No.	Part No.	Description	Qty.	Notes
1		501 01 86-01		1	
2		506 55 65-01		2	
3		506 90 53-01		1	
4		721 12 59-30		1	
5		721 61 83-01		1	
6		506 78 43-01		1	
7		725 24 97-51		1	
8		731 23 20-51		1	
9		506 90 54-01		1	
10		725 25 42-51		1	
11		732 25 22-01		1	
12		506 91 68-01		1	
13		506 90 56-01		2	
14		506 90 57-01		1	
15		506 90 57-02		1	
16		735 31 18-20		2	
17		506 55 46-07		1	
18		506 55 47-01		1	
19		506 90 59-01		1	
20		721 61 87-01		1	
21		544 45 69-01		1	
22		721 61 83-01		1	
23		544 37 86-01		1	
24		735 31 14-20		1	
25		544 44 88-01		1	
26		734 11 64-41		1	
27		721 61 83-01		1	

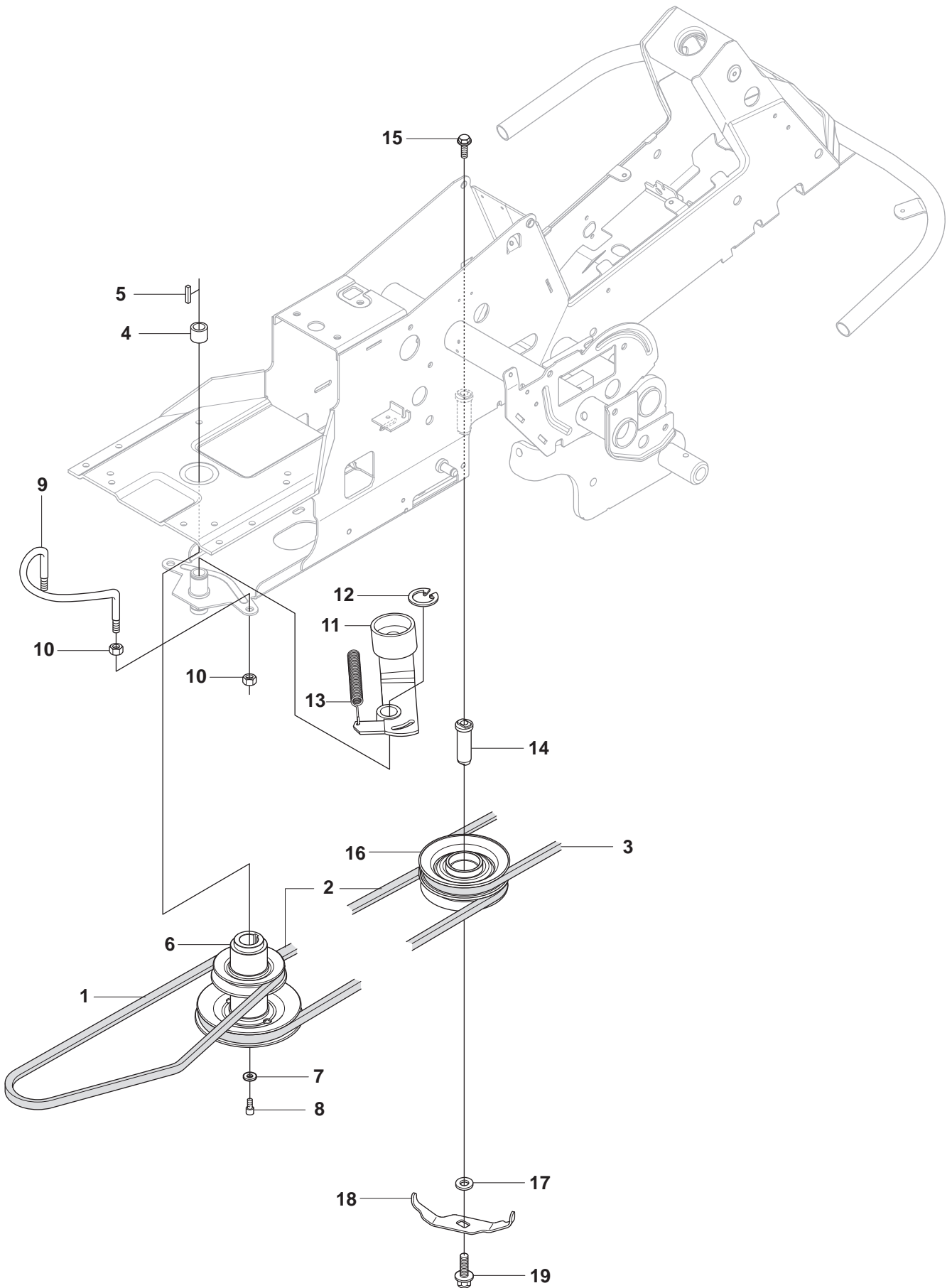
F 966 82 84-01 RIDER R175 US
CHASSIS



F**966 82 84-01 RIDER R175 US
CHASSIS**

Pos.	Compl No.	Part No.	Description	Qty.	Notes
1		544 84 23-01		1	
2		544 24 42-02		1	
3		544 24 44-01		2	
4		506 57 01-03		2	
5		725 24 51-71		2	
6		732 21 18-01		2	
7		535 47 08-01		2	
8		725 24 59-61		2	

G 966 82 84-01 RIDER R175 US
TRANSMISSION



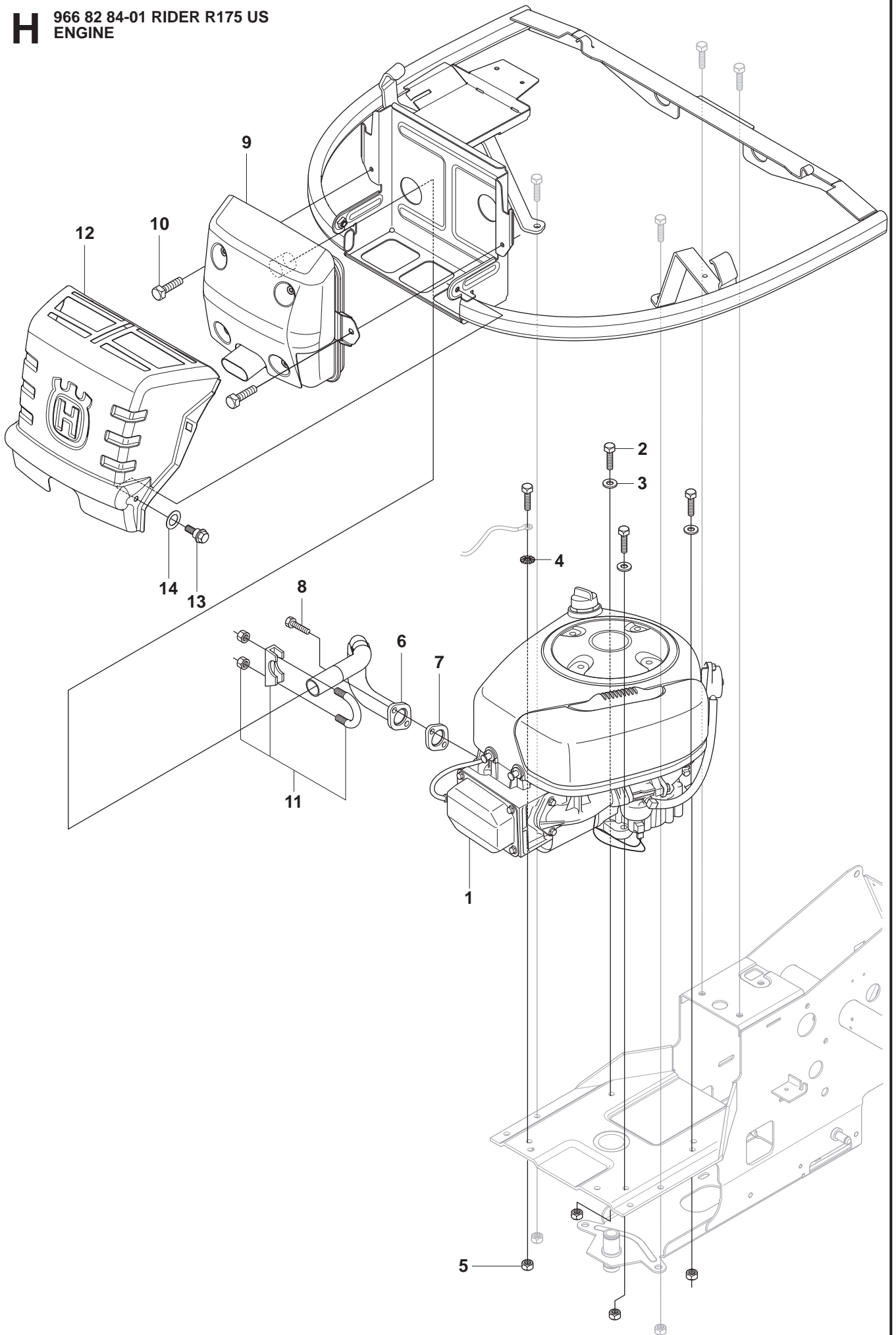


966 82 84-01 RIDER R175 US
TRANSMISSION

Pos.	Compl No.	Part No.	Description	Qty.	Notes
1		506 98 83-01		1	
2		544 40 02-01		1	
3		535 41 19-01		1	
4		506 50 92-01		1	
5		506 55 59-01		1	
6		535 48 24-01		1	
7		506 59 75-01		1	
8		506 55 60-02		1	
9		506 66 45-01		1	
10		731 23 20-51		4	
11		535 48 44-01		1	
12		735 31 26-00		1	
13		506 66 56-01		1	
14		544 42 61-01		1	
15		506 67 54-02		1	
16		535 48 22-01		1	
17		506 77 57-01		1	
18		544 40 53-01		1	
19		506 57 01-05		1	



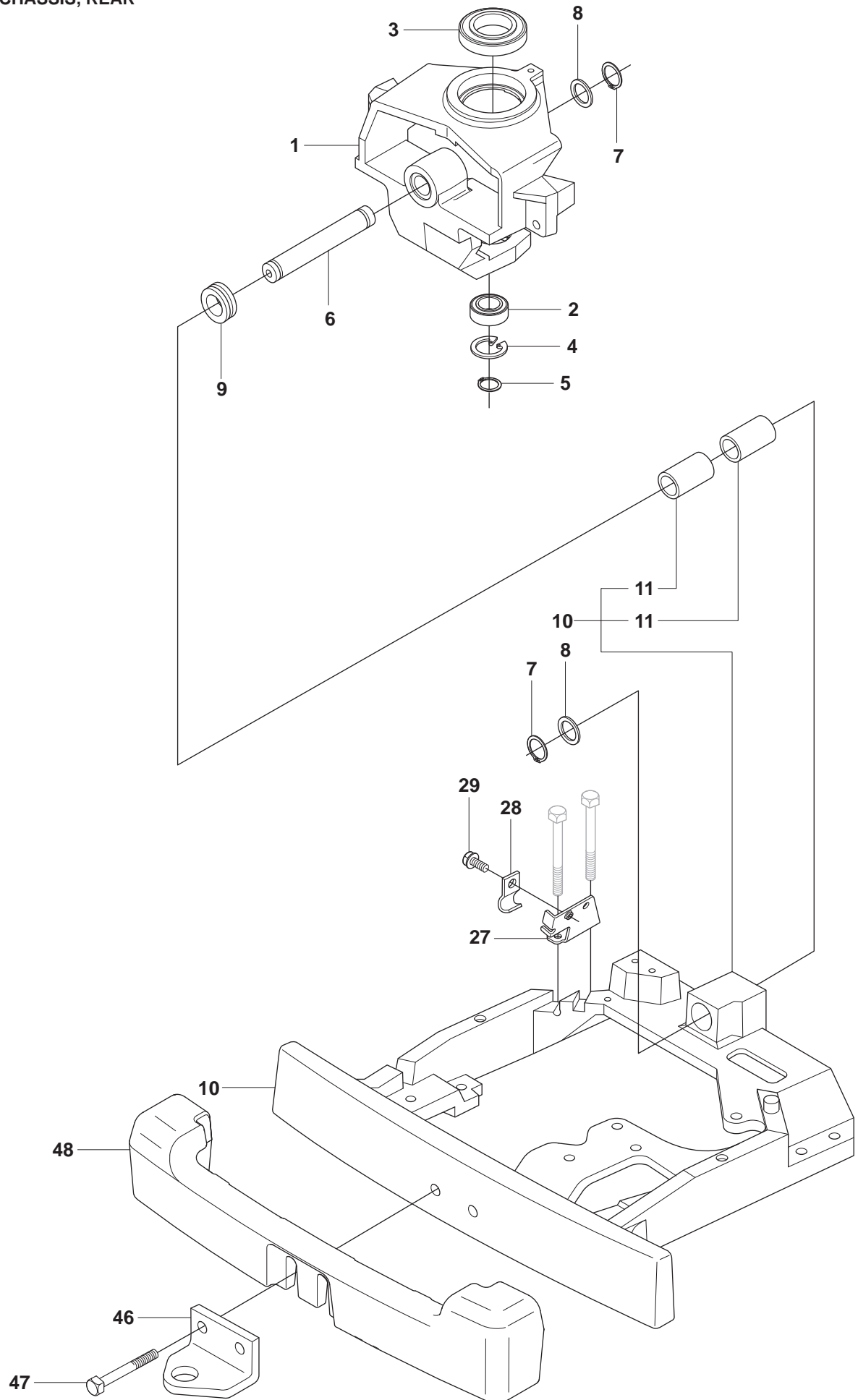
966 82 84-01 RIDER R175 US
ENGINE

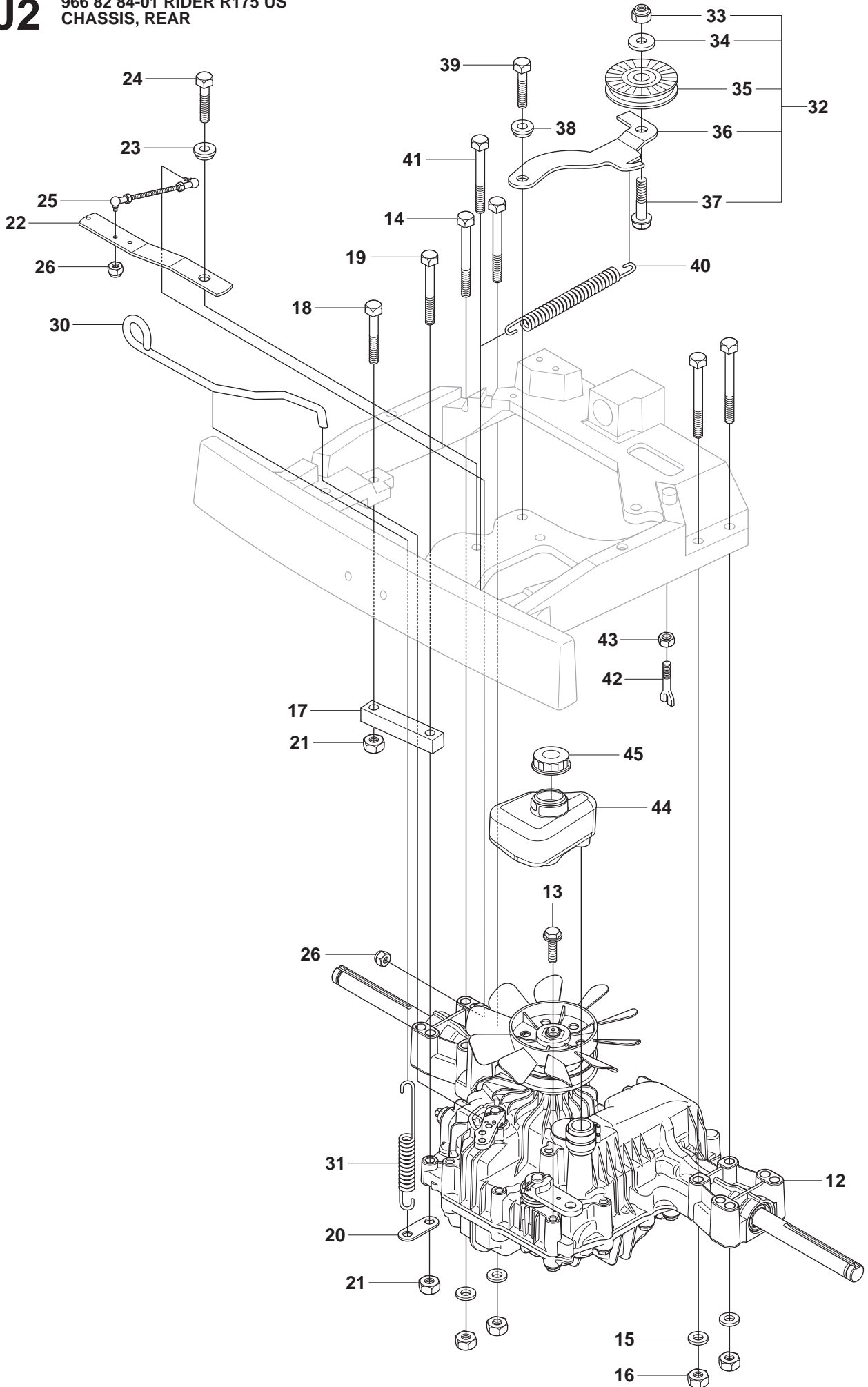




966 82 84-01 RIDER R175 US
ENGINE

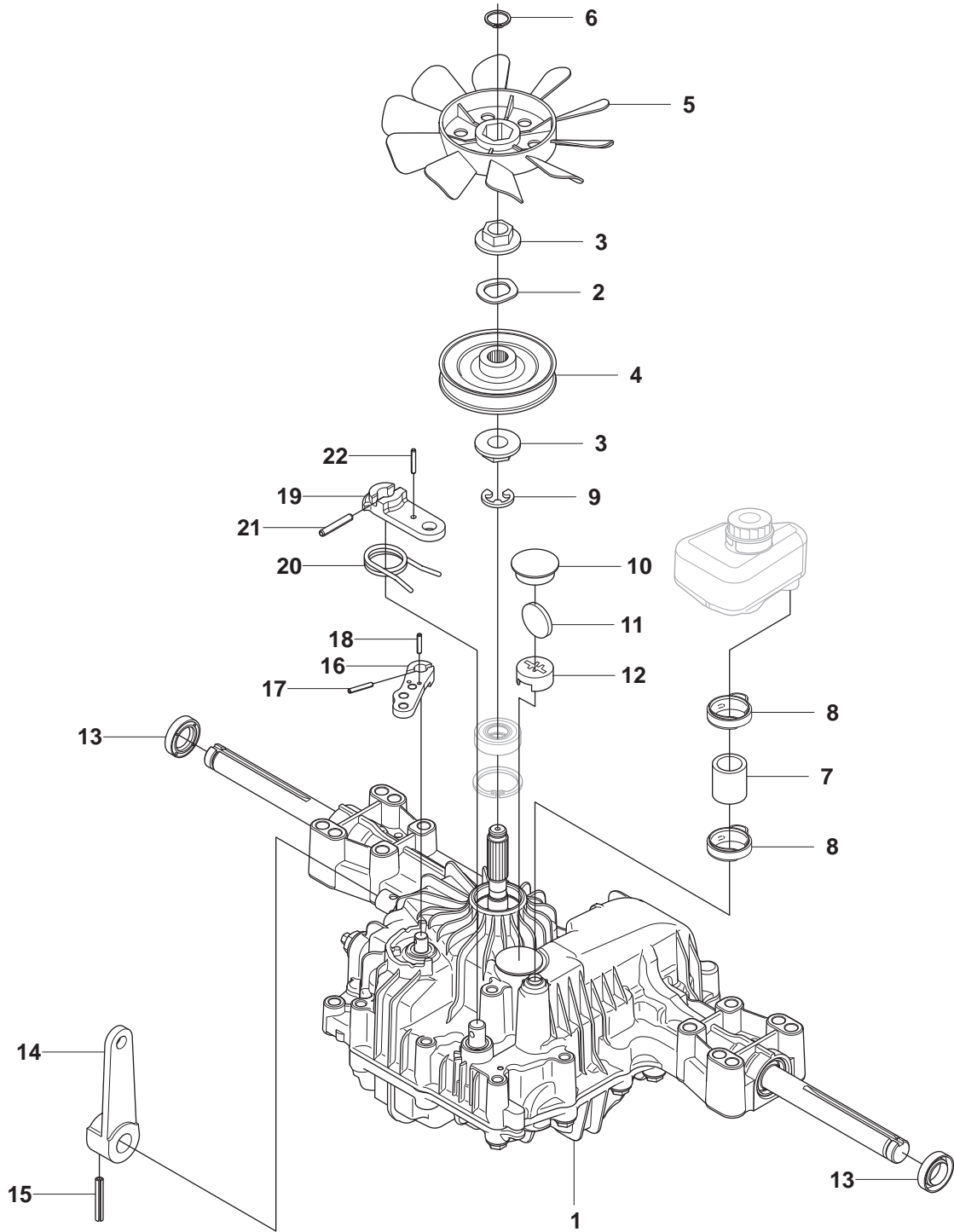
Pos.	Compl No.	Part No.	Description	Qty.	Notes
1		-----		1	
2		725 24 57-51		4	
3		734 11 64-01		3	
4		735 21 64-00		1	
5		732 21 18-01		4	
6		535 50 06-01		1	
7		506 91 45-01		1	
8		506 55 63-01		2	
9		544 33 57-01		1	
10		725 23 64-61		2	
11		506 66 84-01		1	
12		544 24 83-01		1	
13		506 59 74-01		2	
14		506 83 94-01		2	

J1966 82 84-01 RIDER R175 US
CHASSIS, REAR

J2966 82 84-01 RIDER R175 US
CHASSIS, REAR

J**966 82 84-01 RIDER R175 US
CHASSIS, REAR**

Pos.	Compl No.	Part No.	Description	Qty.	Notes
1		506 98 58-03		1	J1
2		738 21 05-04		1	J1
3		738 21 10-04		1	J1
4		735 31 40-10		1	J1
5		735 31 26-00		1	J1
6		506 98 59-01		1	J1
7		735 31 26-00		2	J1
8		506 77 34-01		2	J1
9		740 68 14-21		1	J1
10		535 40 60-01		1	J1
11	535 40 60-01	506 98 61-02		2	J1
12		506 98 63-01		1	J2
13		506 55 83-02		1	J2
14		725 24 67-51		4	J2
15		734 11 64-01		4	J2
16		731 23 18-01		4	J2
17		506 98 72-01		1	J2
18		725 24 59-51		1	J2
19		725 24 62-51		1	J2
20		506 59 93-01		1	J2
21		731 23 18-01		2	J2
22		506 98 74-03		1	J2
23		506 91 87-02		1	J2
24		725 24 51-51		1	J2
25		506 98 75-01		1	J2
26		732 21 14-01		2	J2
27		506 98 77-01		1	J1
28		506 56 65-01		1	J1
29		725 23 64-61		1	J1
30		506 98 82-01		1	J2
31		506 83 43-01		1	J2
32		506 98 84-01		1	J2
33	506 98 84-01	506 98 85-01		1	J2
34	506 98 84-01	506 94 69-01		1	J2
35	506 98 84-01	725 24 55-51		1	J2
36	506 98 84-01	734 11 64-41		1	J2
37	506 98 84-01	732 21 18-01		1	J2
38		506 91 87-02		1	J2
39		725 24 51-51		1	J2
40		506 98 86-01		1	J2
41		725 24 64-51		1	J2
42		506 98 88-01		1	J2
43		731 23 20-51		1	J2
44		506 98 90-01		1	J2
45		506 98 80-01		1	J2
46		506 88 99-01		1	J1
47		725 25 00-51		2	J1
48		544 03 96-02		1	J1



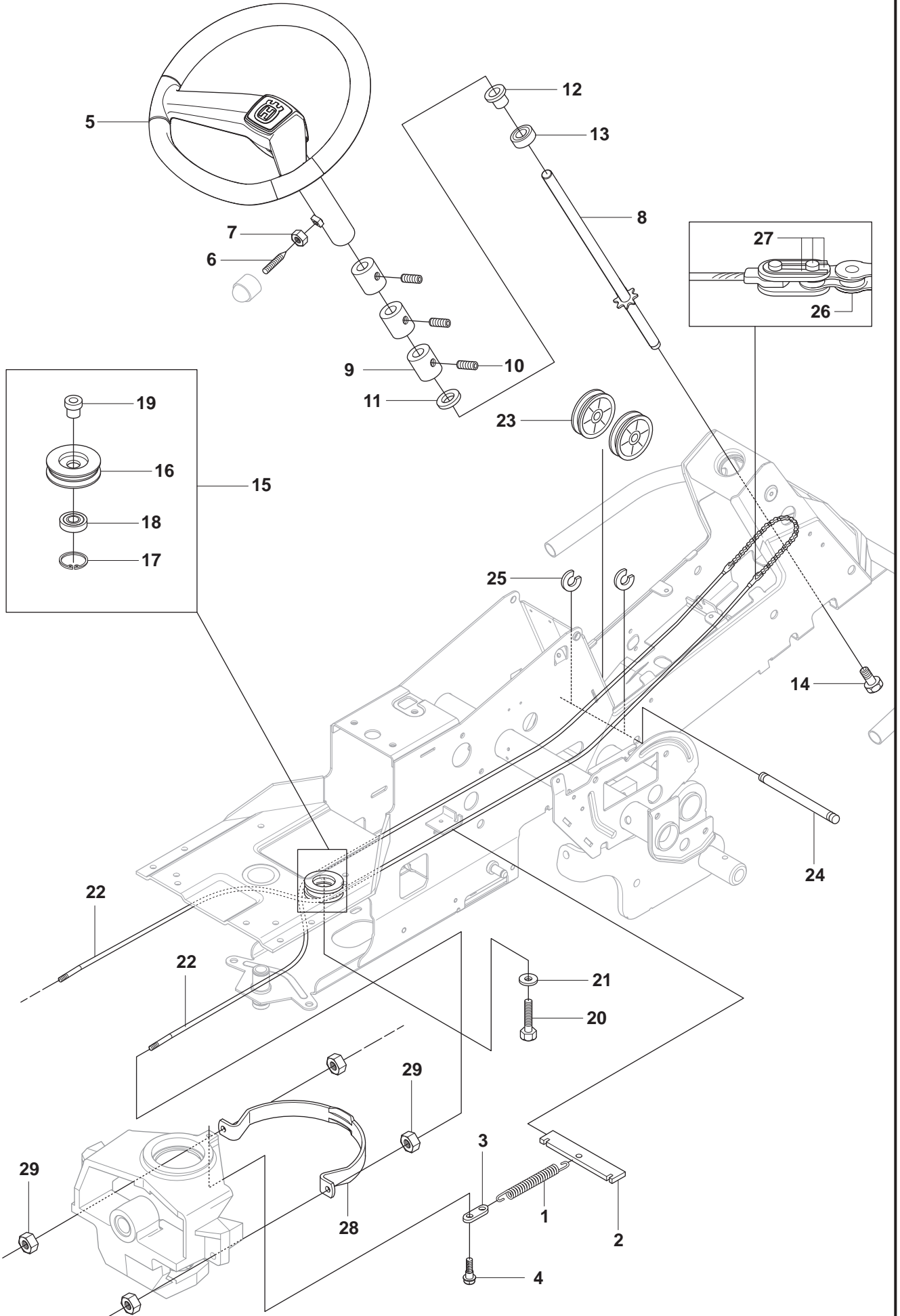


966 82 84-01 RIDER R175 US
HYDROSTAT K46 EU

Pos.	Compl No.	Part No.	Description	Qty.	Notes
1		506 98 63-01		1	
2		506 98 65-01		1	
3		506 98 66-01		2	
4		502 45 19-01		1	
5		506 98 68-01		1	
6		735 31 15-00		1	
7		502 45 16-01		1	
8		506 98 70-01		2	
9	506 98 63-01	535 40 28-07		1	
10	506 98 63-01	535 40 28-32		1	
11	506 98 63-01	535 40 28-29		1	
12	506 98 63-01	502 45 20-01		1	
13	506 98 63-01	535 40 28-37		2	
14	506 98 63-01	502 45 32-01		1	
15	506 98 63-01	535 40 28-09		1	
16	506 98 63-01	535 40 28-17		1	
17	506 98 63-01	535 40 28-16		1	
18	506 98 63-01	535 40 28-33		1	
19	506 98 63-01	535 40 28-38		1	
20	506 98 63-01	535 40 28-39		1	
21	506 98 63-01	535 40 28-40		1	
22	506 98 63-01	535 40 28-41		1	



966 82 84-01 RIDER R175 US
STEERING

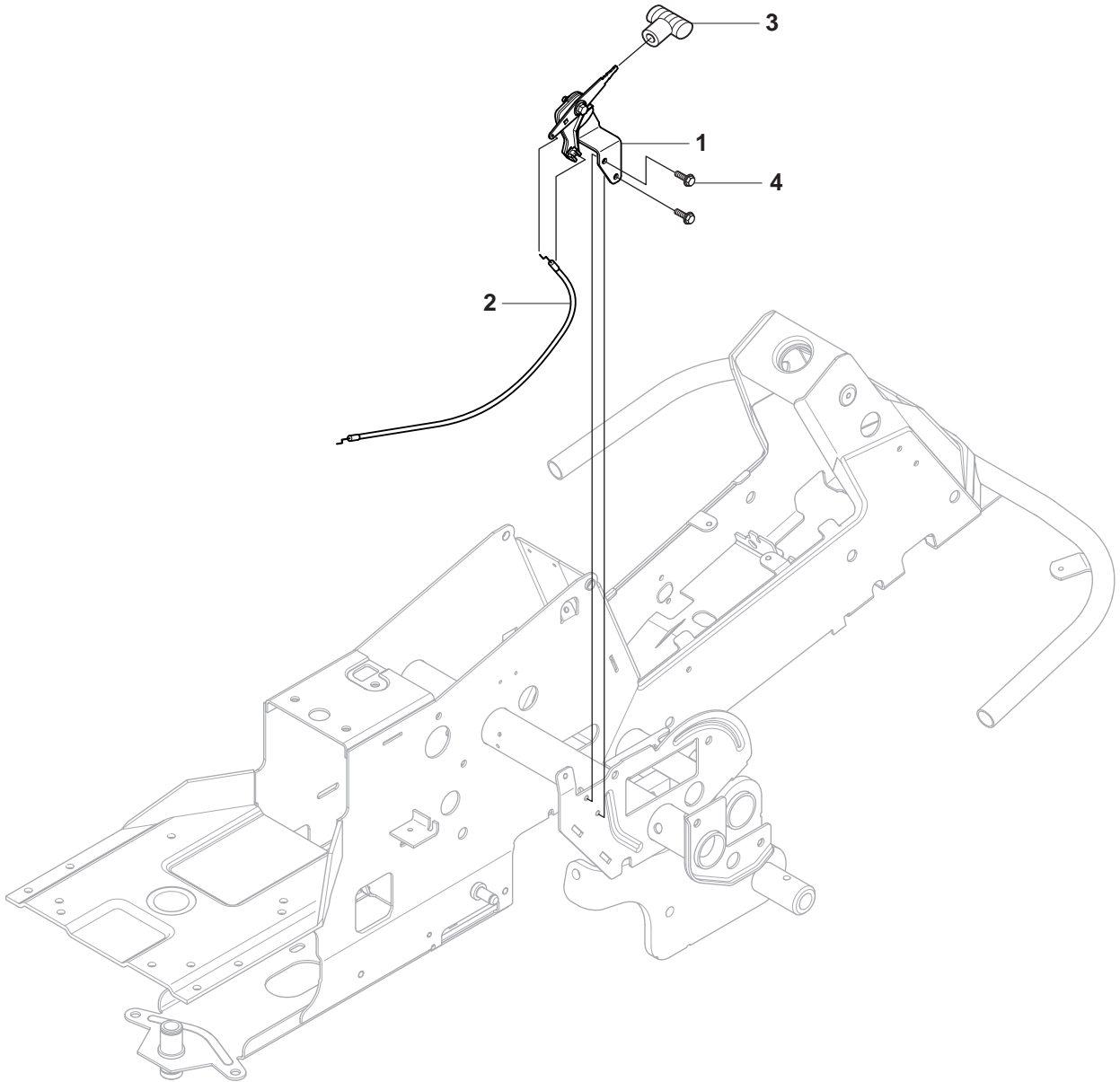




966 82 84-01 RIDER R175 US
STEERING

Pos.	Compl No.	Part No.	Description	Qty.	Notes
1		506 67 19-01		1	
2		506 57 63-01		1	
3		506 67 08-01		1	
4		506 59 74-01		1	
5		544 37 52-02		1	
6		728 74 55-05		1	
7		731 23 18-01		1	
8		535 49 95-01		1	
9		506 86 34-01		3	
10		728 84 43-05		3	
11		506 86 36-01		1	
12		506 88 78-01		1	
13		738 21 04-04		1	
14		506 57 01-04		1	
15		506 50 09-03		1	
16	506 50 09-03	535 42 41-01		1	
17	506 50 09-03	735 31 40-10		1	
18	506 50 09-03	738 22 04-19		1	
19	506 50 09-03	506 50 08-02		1	
20		506 67 54-02		1	
21		734 11 74-41		1	
22		506 58 91-04		2	
23		506 52 24-01		2	
24		506 53 94-02		1	
25		735 31 14-20		2	
26		506 55 46-01		1	
27		506 55 47-01		2	
28		544 42 73-01		1	
29		731 23 20-51		4	

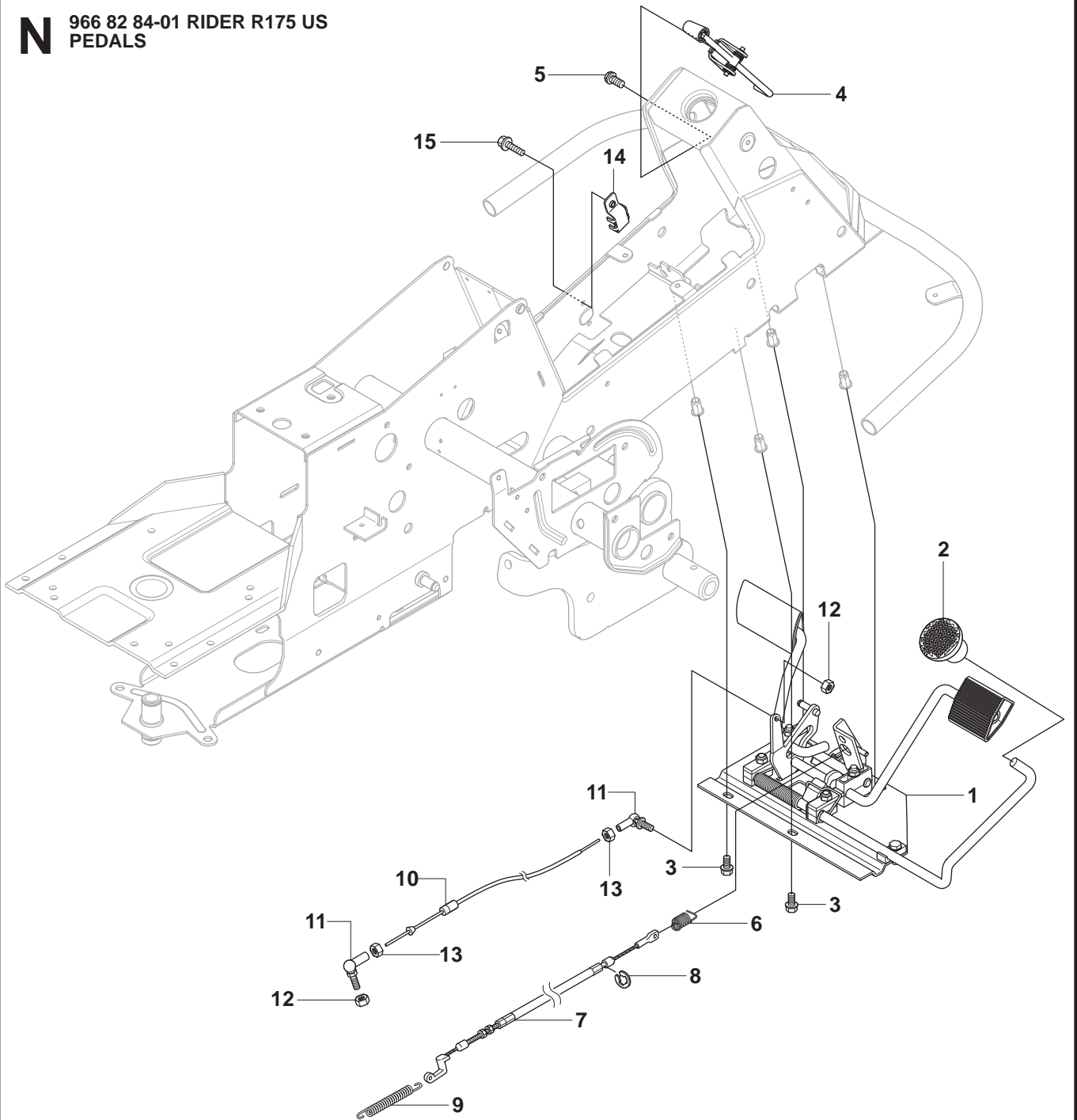
M 966 82 84-01 RIDER R175 US
CONTROLS



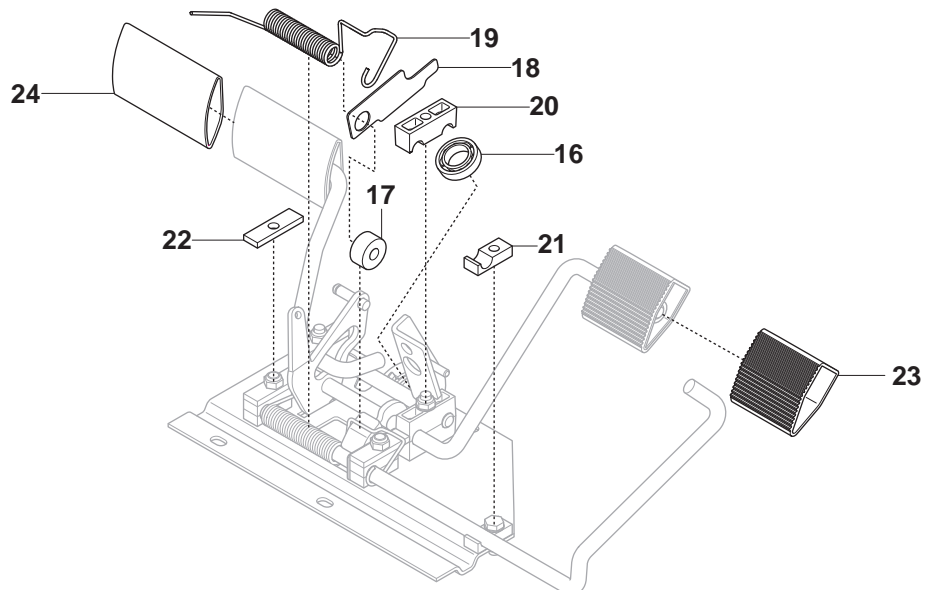
M 966 82 84-01 RIDER R175 US
CONTROLS

Pos.	Compl No.	Part No.	Description	Qty.	Notes
1		544 30 15-01		1	
2		544 30 17-01		1	
3		506 88 91-01		1	
4		725 23 64-61		2	

N 966 82 84-01 RIDER R175 US
PEDALS



PEDALS





966 82 84-01 RIDER R175 US
PEDALS

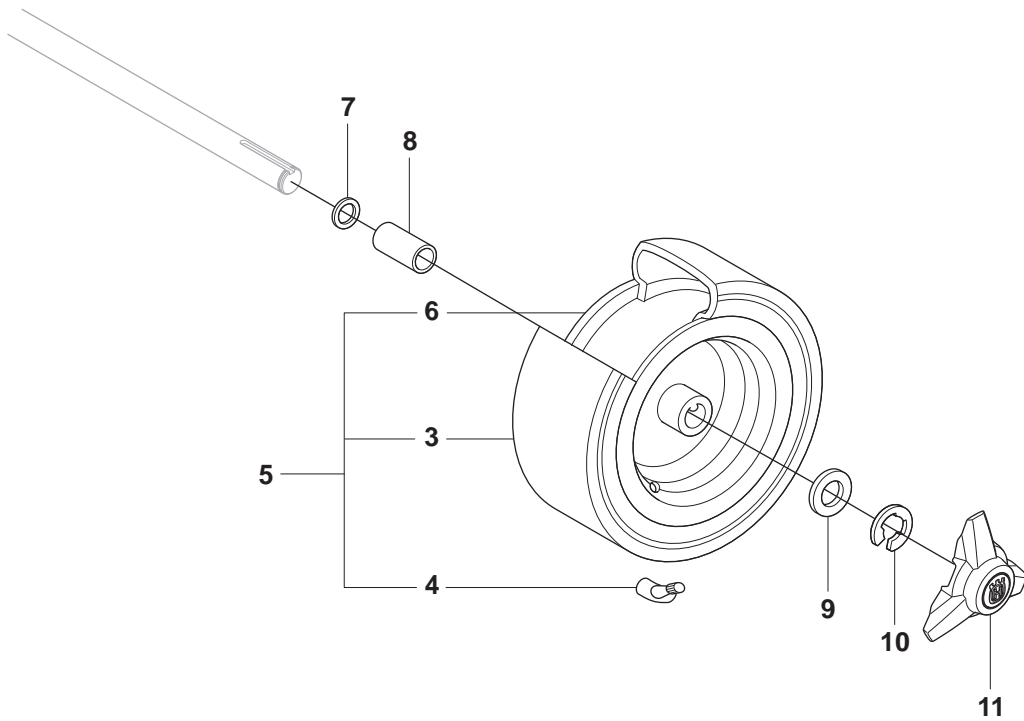
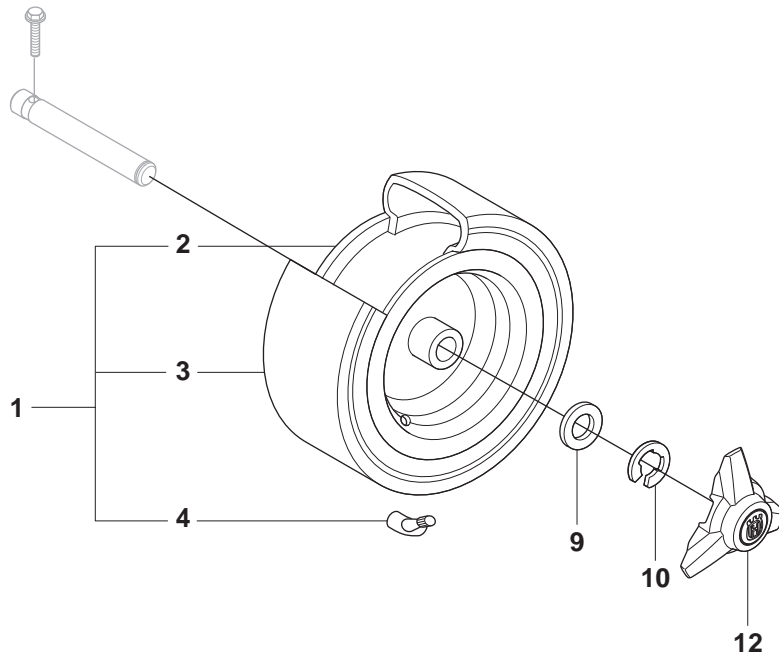
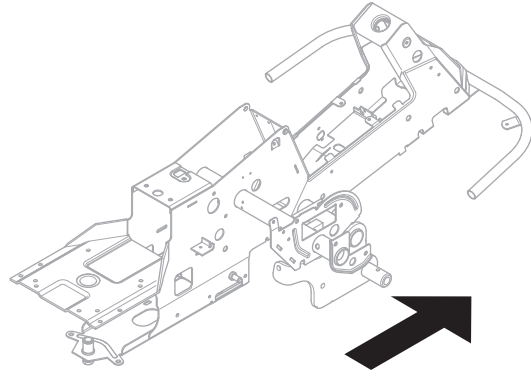
Pos.	Compl No.	Part No.	Description	Qty.	Notes
1		544 12 60-01		1	
2		535 47 37-01		1	
3		506 57 01-04		4	
4		544 40 31-01		1	
5		725 23 64-61		2	
6		506 94 63-01		1	
7		506 99 27-01		1	
8		735 31 09-20		1	
9		506 53 56-03		1	
10		506 82 72-02		1	
11		506 55 73-01		2	
12		732 21 14-01		2	
13		731 23 14-01		2	
14		544 34 17-01		1	
15		725 23 64-61		1	
16	544 12 60-01	738 21 02-04		1	
17	544 12 60-01	535 48 02-01		1	
18	544 12 60-01	535 48 06-01		1	
19	544 12 60-01	535 48 07-01		1	
20	544 12 60-01	535 48 08-01		4	
21	544 12 60-01	535 48 09-01		1	
22	544 12 60-01	535 48 10-01		1	
23	544 12 60-01	535 47 88-01		1	
24	544 12 60-01	535 47 88-02		1	



966 82 84-01 RIDER R175 US
ELECTRICAL

Pos.	Compl No.	Part No.	Description	Qty.	Notes
1		506 78 88-01		1	
2		535 44 11-01		1	
3		506 80 99-01		1	
4		506 83 68-02		1	
5		725 23 70-71		1	
6		731 23 16-01		1	
7		725 23 64-61		1	
8		506 89 98-01		1	
9		544 96 76-01		1	
10		544 44 21-01		1	
11	544 44 21-01	544 44 22-01		1	
12	544 44 21-01	544 44 23-01		1	
13	544 44 21-01	544 44 24-01		1	
14		544 92 63-01		1	
15		544 92 86-01		1	
16		544 92 61-01		1	
17		544 43 98-01		1	
18		506 89 98-01		2	
19		544 89 22-01		1	
20		506 90 93-01		1	
21		722 78 39-02		2	
22		535 46 91-01		1	
23		544 44 07-01		2	
24		506 90 96-01		1	
25		506 90 97-01		1	
26		544 44 12-01		1	
27		506 90 99-02		1	
28		725 24 60-51		1	
29		734 11 64-01		1	
30		544 41 55-01		1	
31		544 41 57-01		1	
32		544 44 07-01		2	

Q 966 82 84-01 RIDER R175 US
WHEELS & TIRES

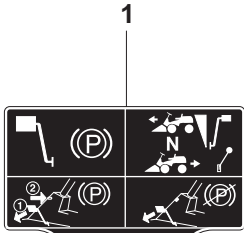




966 82 84-01 RIDER R175 US
WHEELS & TIRES

Pos.	Compl No.	Part No.	Description	Qty.	Notes
1		544 12 62-01		2	
2	544 12 62-01	544 11 43-01		1	
3	544 12 62-01	535 46 00-01		1	
4	544 12 62-01	506 57 43-01		1	
5		544 12 63-01		2	
6	544 12 63-01	544 11 42-01		1	
7	544 12 63-01	535 46 00-01		1	
8	544 12 63-01	506 57 43-01		1	
9		506 50 48-03		2	
10		506 59 62-03		2	
11		506 50 48-05		4	
12		506 89 90-01		4	
13		544 35 35-01		2	
14		544 35 35-02		2	

R 966 82 84-01 RIDER R175 US
DECALS



STARTING INSTRUCTION

- READ OPERATOR'S MANUAL.
- CHECK ENGINE OIL LEVEL.
- RELEASE PARKING BRAKE AND PAUSE LEFT CUTTING DECK IN TRANSPORT POSITION.
- BE SURE TO CHECK THE CHOKING.
- START THE ENGINE.
- RELEASE PARKING BRAKE BEFORE DRIVING.

INSTRUCTION DE DEMARRAGE

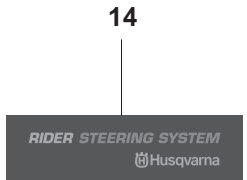
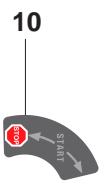
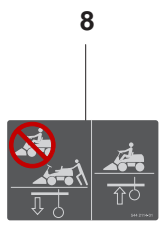
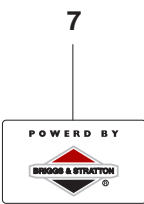
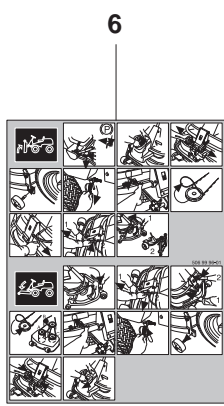
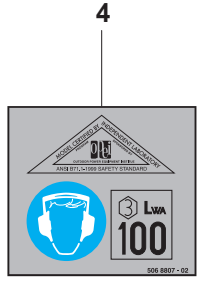
- LIRE LE CHIFFRE DE CONDUITE.
- VÉRIFIEZ LE NIVEAU D'huile MOTEUR.
- SÉPAREZ LA PASTILLE DE PARKING ET METTEZ LE CARTER DE COUPE EN POSITION TRANSPORT.
- SI LE MOTEUR EST FROID, UTILISEZ LE STARTER ACCOUPLÉ À LA SÉRIE.
- DÉSERREZ LE FREIN DE PARKING.

AVOID SERIOUS INJURY OR DEATH.

- DO UP AND DOWN BLENDES, NOT AROUND.
- AVOID SUDDEN TURNS.
- ALWAYS STOP DRIVING UPHILL, STOP BLADE AND BACK DOWN SLOWLY.
- DO NOT MOW WHEN CHILDREN OR OTHERS ARE AROUND.
- NEVER CARRY CHILDREN EVEN WITH BLADES OFF.
- LOOK DOWN AND BEHIND BEFORE AND WHILE BACKING.
- KEEP SAFETY DEVICES (GUARDS, SHIELDS, AND SWITCHES) IN PLACE AND WORKING.
- REMOVE OBJECTS THAT COULD BE THROWN BY THE BLADE.
- READ OPERATOR'S MANUAL.

DANGER DE BLESSURES GRAVES OU MORTELLES.

- NE JAMAIS TRAVERSER UNE PENTE, SE DÉPLACER DANS LA LIGNE DE LA PENTE.
- ÉVITER LES VITESSES BRUSQUES.
- À LA FIN DE LA MANÈGE, ARRÊTER LES LAMES ET FAIRE SLOWLY EN HAUT ET EN BAS.
- NE PAS TONNER EN PRÉSENCE D'ENFANTS OU D'AUTRES PERSONNES.
- NE JAMAIS TRANSPORTER D'OBJETS MÊME ANCIENS.
- LAMES ARRÊTÉES.
- REGARDER EN HAUT ET EN ARRIÈRE AVANT ET PENDANT LE MANÈGE.
- GARDER TOUS LES DISPOSITIFS DE SÉCURITÉ PROTÉGÉS, VOLEZ EN POSITIONNEMENT.
- ENLEVER DE TOUT OBJET POURANT ÊTRE PROJETÉ PAR LES LAMES.
- LIRE LE MANUEL DU PROPRIÉTAIRE.

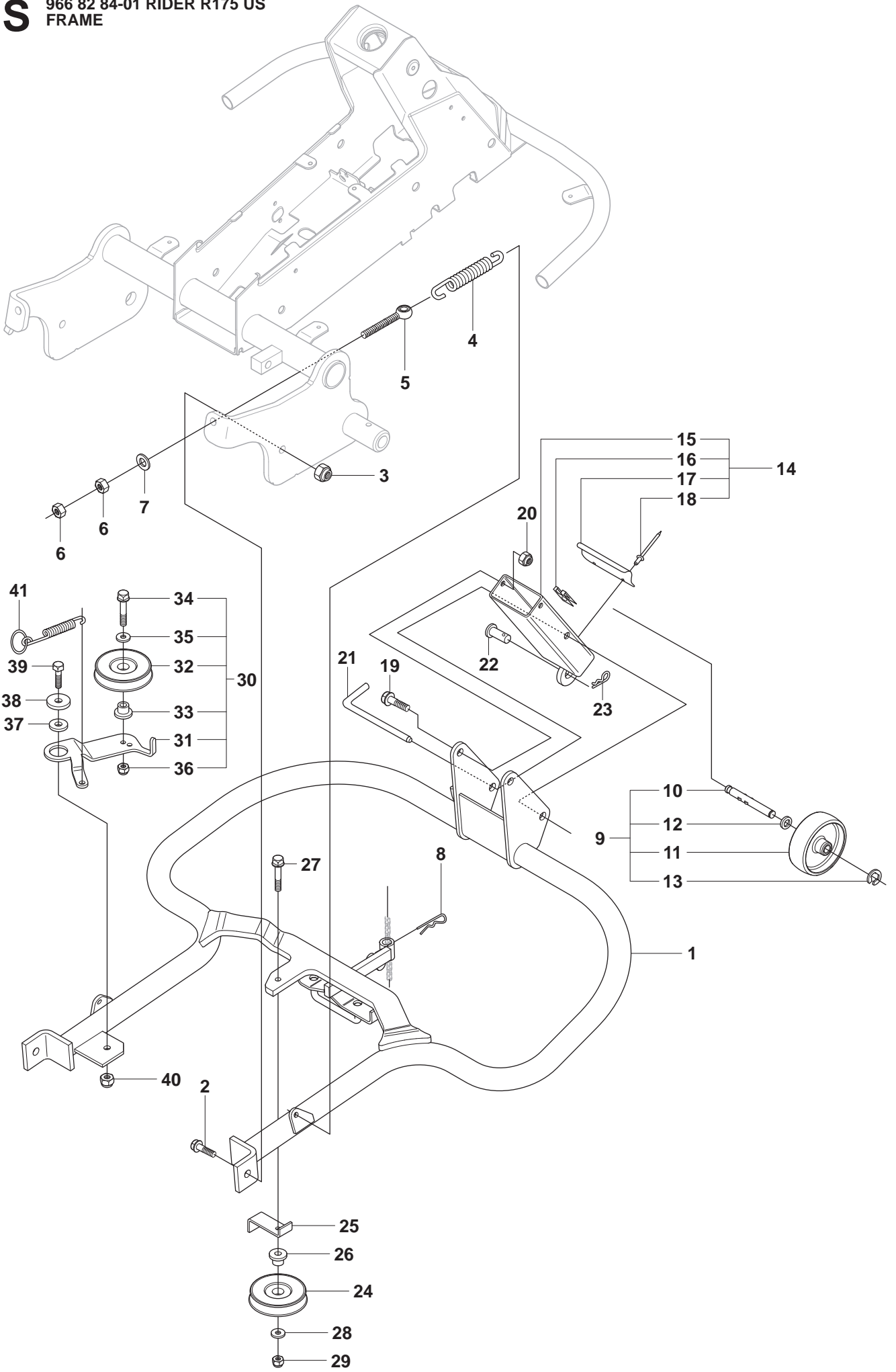


R966 82 84-01 RIDER R175 US
DECALS

Pos.	Compl No.	Part No.	Description	Qty.	Notes
1		504 79 88-01		1	
2		506 58 45-01		1	
3		506 67 62-01		3	
4		506 88 07-02		1	
5		506 98 39-01		1	
6		506 99 96-01		1	
7		544 14 50-01		2	
8		544 21 14-01		1	
9		544 39 11-02		1	
10		544 43 87-01		1	
11		544 43 88-01		1	
12		544 43 90-02		1	
13		544 43 92-01		1	
14		544 83 36-01		1	
15		544 83 37-01		1	LEFT
16		544 83 37-02		1	RIGHT



966 82 84-01 RIDER R175 US
FRAME

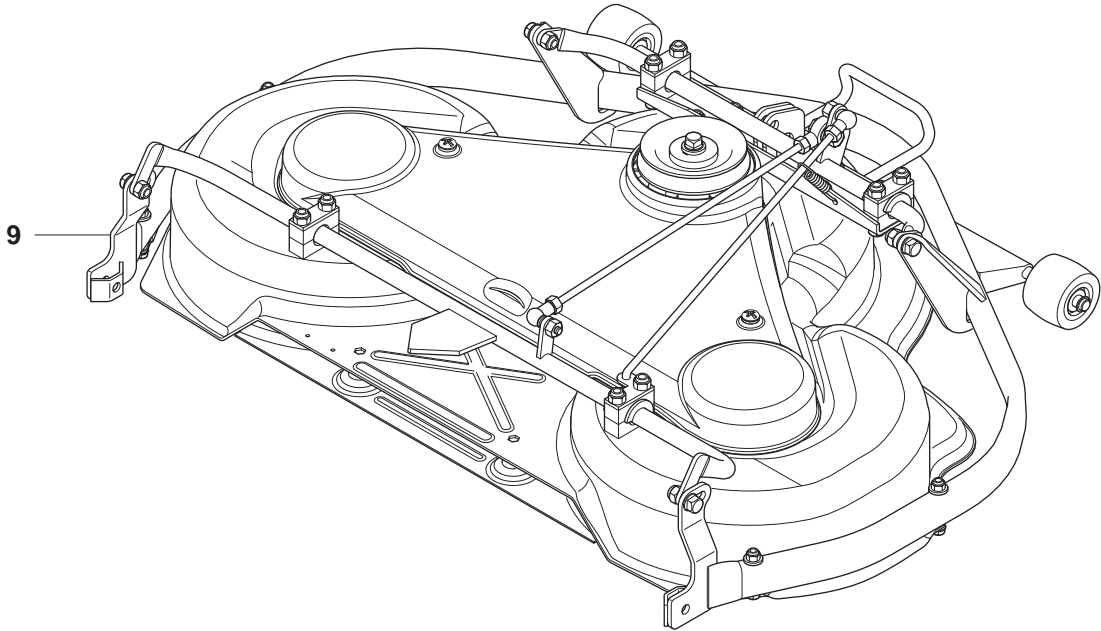
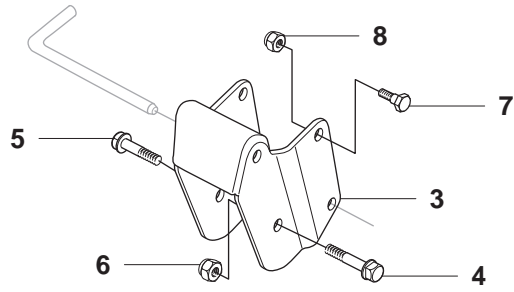




966 82 84-01 RIDER R175 US
FRAME

Pos.	Compl No.	Part No.	Description	Qty.	Notes
1		535 47 10-01		1	
2		506 89 58-01		2	
3		732 25 22-01		2	
4		506 83 76-01		2	
5		506 83 77-01		2	
6		731 23 20-51		4	
7		734 11 72-01		2	
8		506 96 66-01		1	
9		506 98 14-01		2	
10	506 98 14-01	506 98 00-01		1	
11	506 98 14-01	506 97 96-01		1	
12	506 98 14-01	734 11 77-71		1	
13	506 98 14-01	735 31 15-20		1	
14		506 99 78-01		1	
15	506 99 78-01	506 99 79-01		1	
16	506 99 78-01	506 96 37-01		1	
17	506 99 78-01	506 98 28-01		1	
18	506 99 78-01	722 78 39-02		2	
19		506 59 74-01		2	
20		732 21 18-01		2	
21		506 97 46-01		1	
22		721 86 17-01		1	
23		721 68 02-51		1	
24		506 97 48-01		1	
25		506 97 50-01		1	
26		506 82 68-01		1	
27		725 24 61-51		1	
28		734 11 64-41		1	
29		732 21 18-01		1	
30		506 97 62-01		1	
31	506 97 62-01	506 97 63-01		1	
32	506 97 62-01	506 53 27-01		1	
33	506 97 62-01	506 82 68-01		1	
34	506 97 62-01	725 24 57-51		1	
35	506 97 62-01	734 11 64-41		1	
36	506 97 62-01	732 21 18-01		1	
37		506 59 75-01		1	
38		506 98 25-01		1	
39		725 24 95-71		1	
40		732 21 20-51		1	
41		506 97 68-01		1	

T 966 82 84-01 RIDER R175 US
965 07 84-01 MOWER DECK, COMBI 103

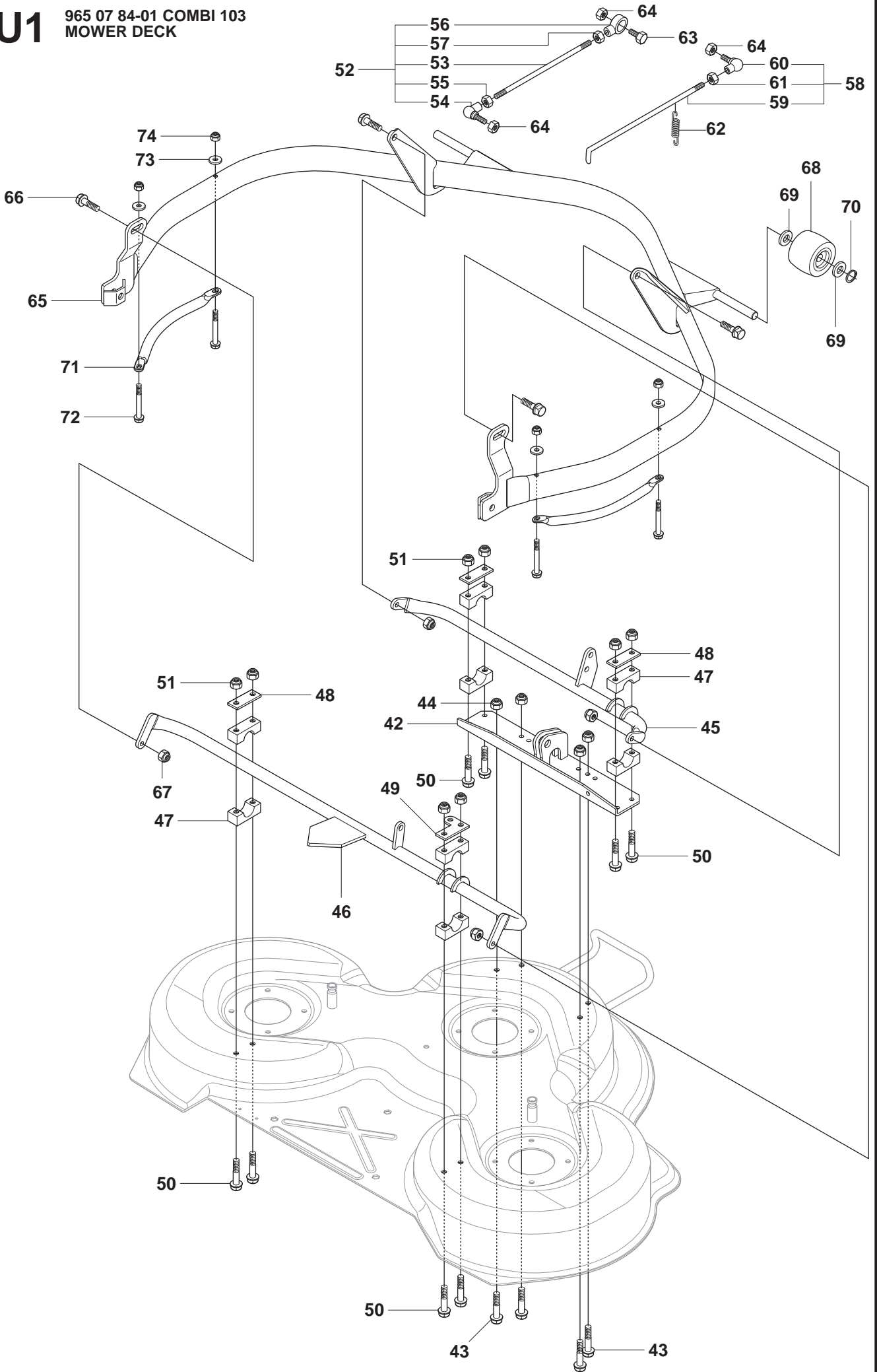


T**966 82 84-01 RIDER R175 US
965 07 84-01 MOWER DECK, COMBI 103**

Pos.	Compl No.	Part No.	Description	Qty.	Notes
1		506 92 90-01		1	
2		535 43 74-01		1	
3		535 43 13-01		1	
4		725 25 42-51		1	
5		725 25 36-71		1	
6		732 25 22-01		2	
7		506 59 74-01		2	
8		732 21 18-01		2	
9		965 07 84-01		1	

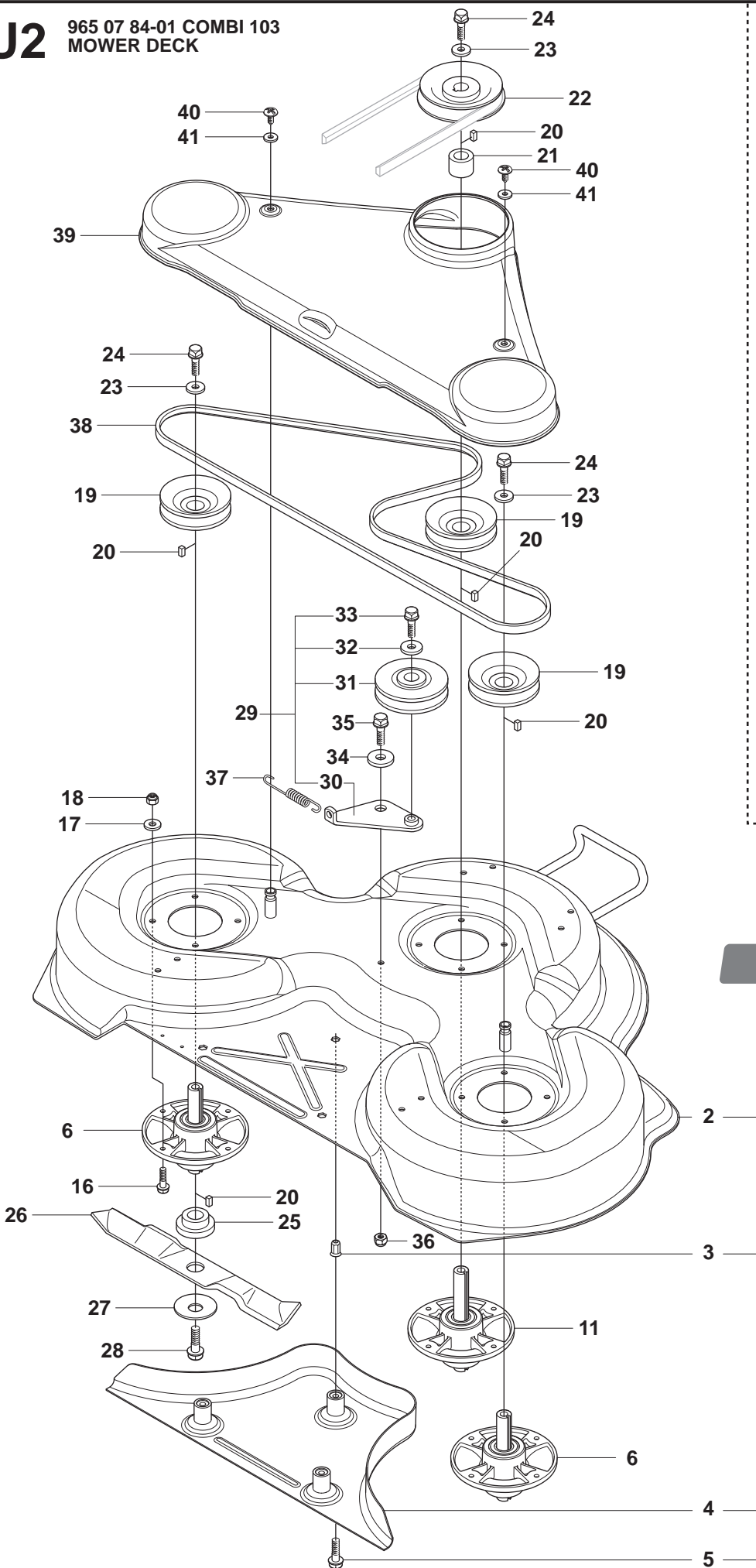
U1

965 07 84-01 COMBI 103
MOWER DECK

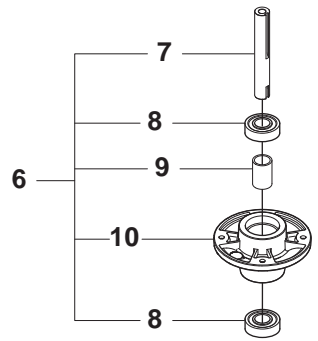


U2

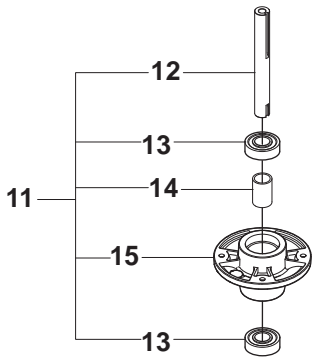
965 07 84-01 COMBI 103
MOWER DECK



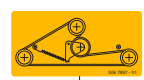
Yttre.
Outer.
Exterieur.
Äusser.
Ulko.



Mitten.
Centre.
Centre.
Zentrum.
Keski.



76
Combi 103



75



965 07 84-01 COMBI 103
MOWER DECK

Pos.	Compl No.	Part No.	Description	Qty.	Notes
1		544 11 29-03		1	U2
2	544 11 29-03	544 11 28-01		1	U2
3	544 11 29-03	506 91 62-01		3	U2
4	544 11 29-03	544 44 92-01		1	U2
5	544 11 29-03	506 57 01-04		3	U2
6		544 06 59-01		2	U2
7	544 06 59-01	544 06 79-02		1	U2
8	544 06 59-01	738 23 04-34		2	U2
9	544 06 59-01	544 06 80-01		1	U2
10	544 06 59-01	544 06 78-01		1	U2
11		544 06 59-02		1	U2
12	544 06 59-02	544 06 79-01		1	U2
13	544 06 59-02	738 23 04-34		2	U2
14	544 06 59-02	544 06 80-01		1	U2
15	544 06 59-02	544 06 78-01		1	U2
16		535 42 38-01		12	U2
17		734 11 64-01		12	U2
18		732 21 18-01		12	U2
19		506 92 21-01		3	U2
20		506 53 35-01		7	U2
21		544 06 80-02		1	U2
22		506 77 86-01		1	U2
23		734 11 74-41		3	U2
24		544 11 41-01		3	U2
25		535 50 42-02		3	U2
26		544 10 30-01		3	U2
27		506 79 23-01		3	U2
28		544 11 41-01		3	U2
29		506 54 07-01		1	U2
30	506 54 07-01	506 51 95-01		1	U2
31	506 54 07-01	506 53 27-01		1	U2
32	506 54 07-01	734 11 64-41		1	U2
33	506 54 07-01	506 55 83-02		1	U2
34		506 91 87-02		1	U2
35		725 24 51-71		1	U2
36		732 21 18-01		1	U2
37		506 53 31-01		1	U2
38		506 76 85-01		1	U2
39		544 09 61-01		1	U2
40		506 98 26-01		2	U2
41		506 55 97-01		2	U2
42		535 42 30-01		1	U1
43		725 24 51-71		4	U1
44		732 21 18-01		4	U1
45		535 46 88-01		1	U1
46		535 46 87-01		1	U1
47		506 86 96-01		8	U1
48		506 81 38-01		3	U1
49		506 97 91-01		1	U1
50		725 24 61-51		8	U1
51		732 21 18-01		8	U1
52		506 93 39-04		1	U1
53	506 93 39-04	506 81 49-06		1	U1
54	506 93 39-04	506 78 99-01		1	U1
55	506 93 39-04	506 89 76-01		1	U1
56	506 93 39-04	506 95 17-01		1	U1
57	506 93 39-04	731 23 20-51		1	U1
58		506 94 12-06		1	U1
59	506 94 12-06	506 94 13-06		1	U1
60	506 94 12-06	506 78 99-01		1	U1
61	506 94 12-06	506 89 76-01		1	U1
62		506 53 56-03		1	U1
63		725 24 95-71		1	U1
64		732 21 20-51		3	U1



965 07 84-01 COMBI 103
MOWER DECK

Pos.	Compl No.	Part No.	Description	Qty.	Notes
65		535 46 36-01		1	U1
66		506 59 74-01		4	U1
67		732 21 18-01		4	U1
68		506 96 30-01		2	U1
69		535 46 41-01		4	U1
70		735 31 17-00		2	U1
71		535 47 63-01		2	U1
72		727 63 83-01		4	U1
73		734 11 56-01		4	U1
74		732 21 16-01		4	U1
75		506 78 97-01		1	U2
76		544 23 81-03		1	U2