



Illustrated
Parts List

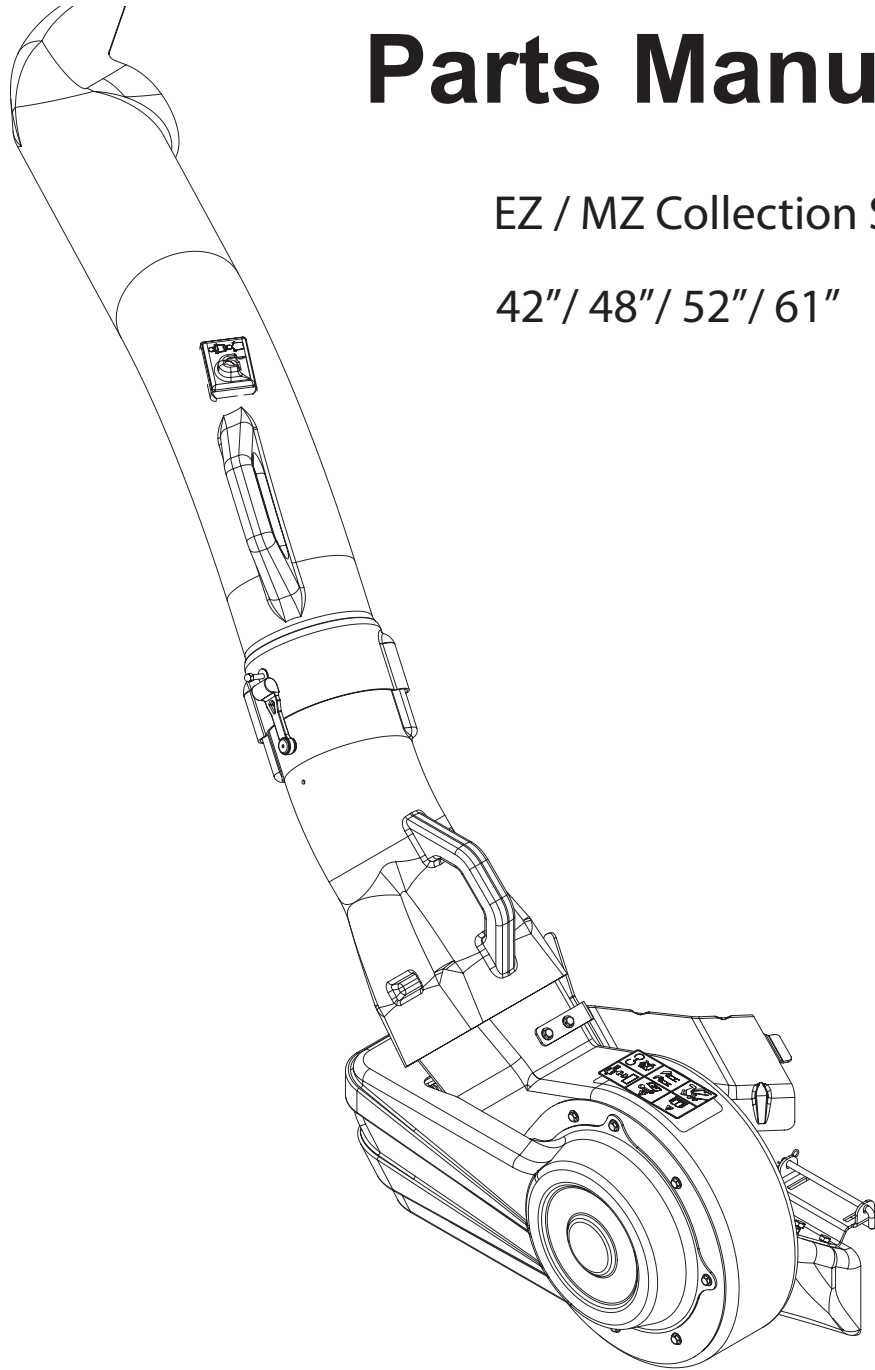
2008-01

10803001

Parts Manual

EZ / MZ Collection System

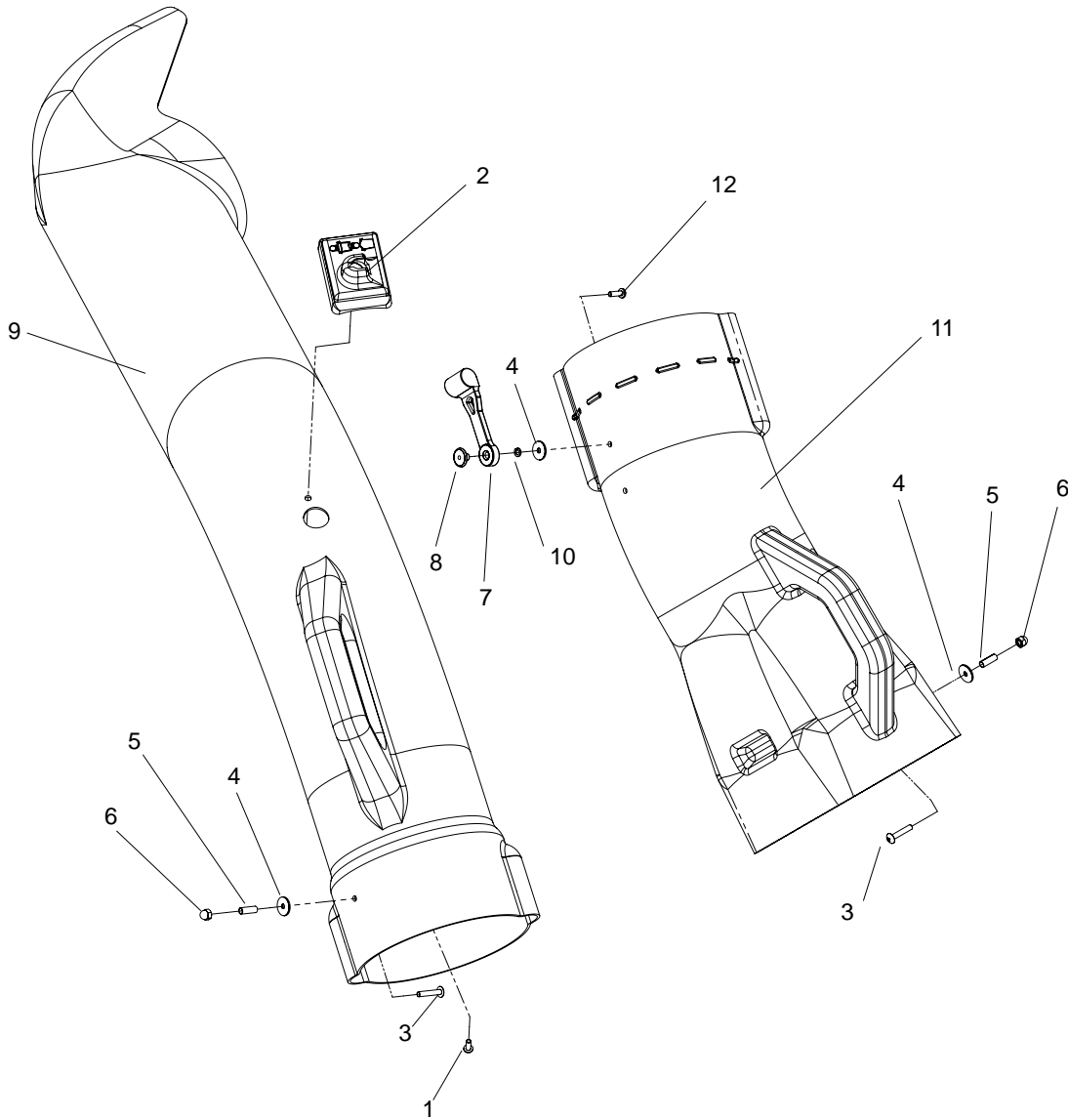
42" / 48" / 52" / 61"



Blower Kit Collection System

539130326, 539130327
539130279, 539130328, 539130329

PARTS

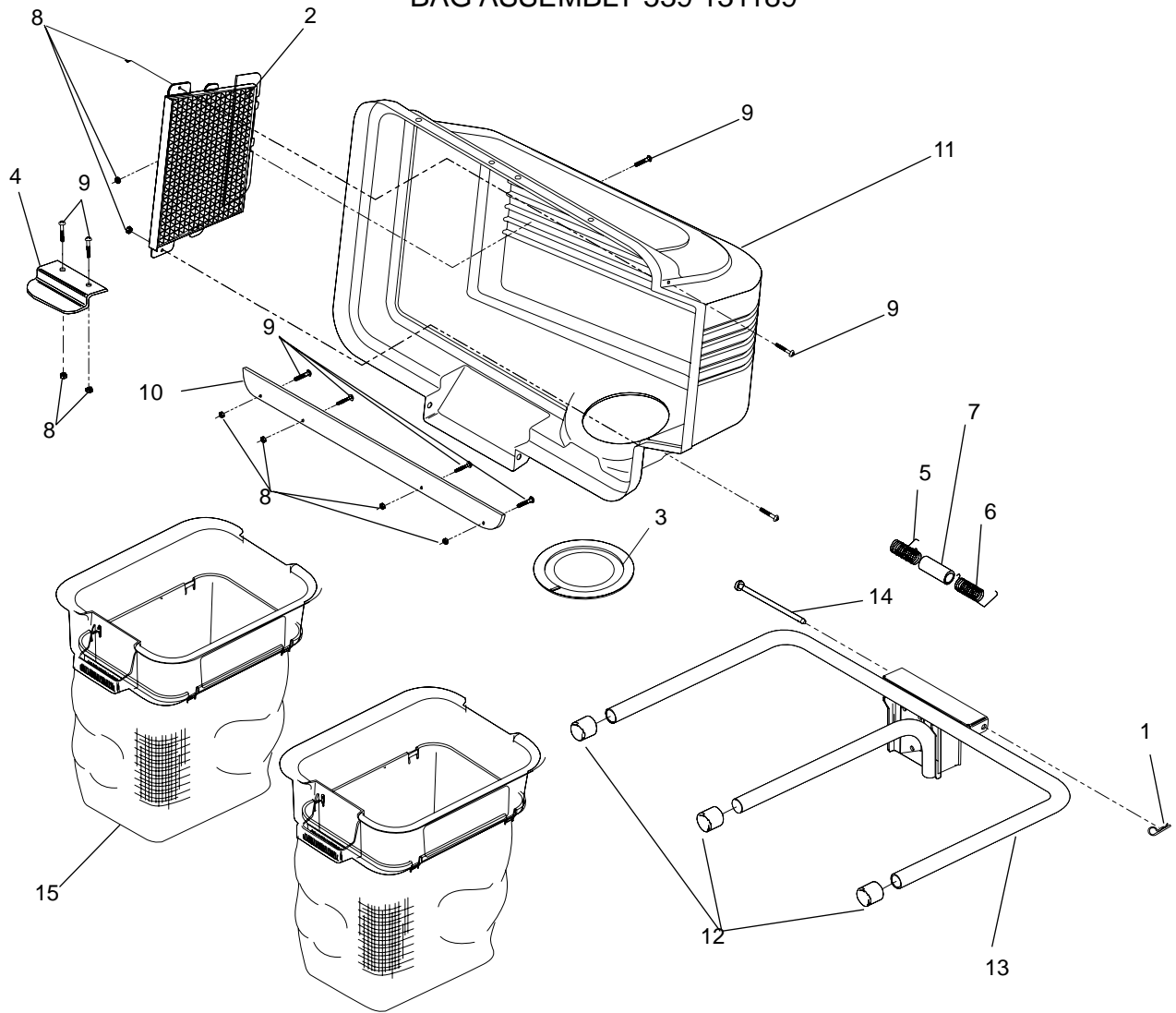


ITEM	PART NO.	QTY.	DESCRIPTION
1	539 108081	1	SCREW, SPEC 10- 14 x ½
2	539 108082	1	BAG DUMP INDICATOR
3	539 108083	2	SCREW, 10- 24 x 1⅛
4	539 108084	3	WASHER, ⅜ x ¾
5	539 108085	2	SPACER, SPLIT
6	539 108086	2	NUT, ACORN 10-24

ITEM	PART NO.	QTY.	DESCRIPTION
7	539 108088	1	LATCH, HOOD
8	539 108089	1	PLATED, WELD NUT
9	539 108141	1	CHUTE, UPPER
10	539 109552	2	WASH ⅜ LOCK
11	539 130294	1	CHUTE, MIDDLE
12	539 976952	1	SCREW 10-24 x .625 MACH

PARTS

BAG ASSEMBLY 539 131189

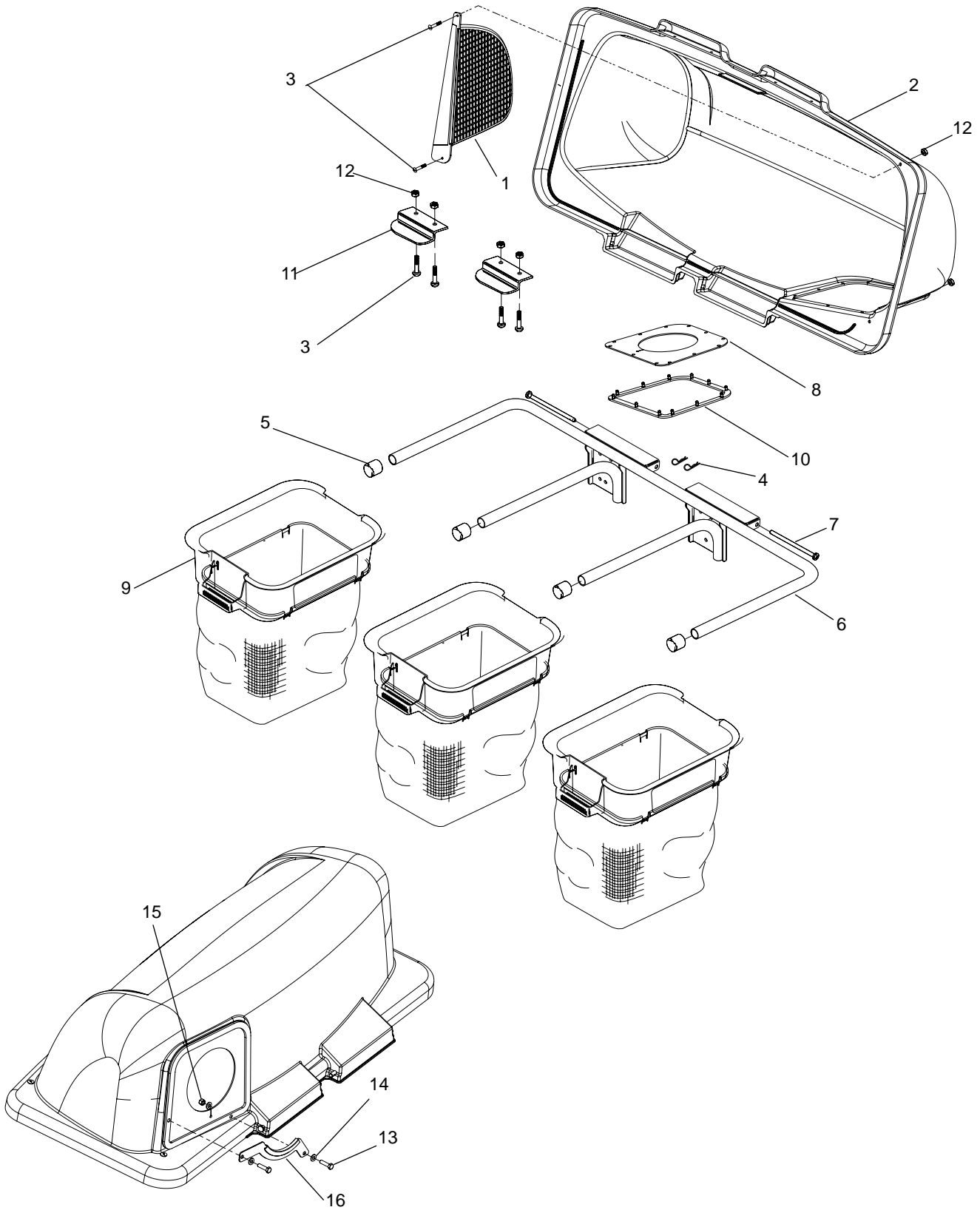


ITEM	PART NO.	QTY.	DESCRIPTION
1 ...	532 124670...	1...	RETAINER SPRING
2 ...	532 127533 ..	1...	SCREEN, COVER
3 ...	539 108100 ..	1...	GASKET, COVER
4 ...	532 130895 ..	1...	LATCH HANDLE, COVER
5 ...	532 132796...	1...	SPRING, COVER LT
6 ...	532 132983...	1...	SPRING, COVER RT
7 ...	532 133235...	1...	SPACER, COVER
8 ...	539 976977...	8...	NUT, 10-24 HEX W/WYLOC

ITEM	PART NO.	QTY.	DESCRIPTION
9 ...	539 991034...	8...	SCREW 10-24 x 5/8 WSH HD
10 ...	532 414173...	1...	STRIP, REINFORCEMENT
11 ...	532 160274...	1...	COVER, TOP
12 ...	532 174083...	3...	CAP, PLUG TUBING END
13 ...	532 414172...	1...	FRAME ASSEMBLY, 2-BIN
14 ...	532 192786...	1...	PIN, HINGE PIVOT
15 ...	532 400226...	2...	CONTAINER BAG, SOFT

PARTS

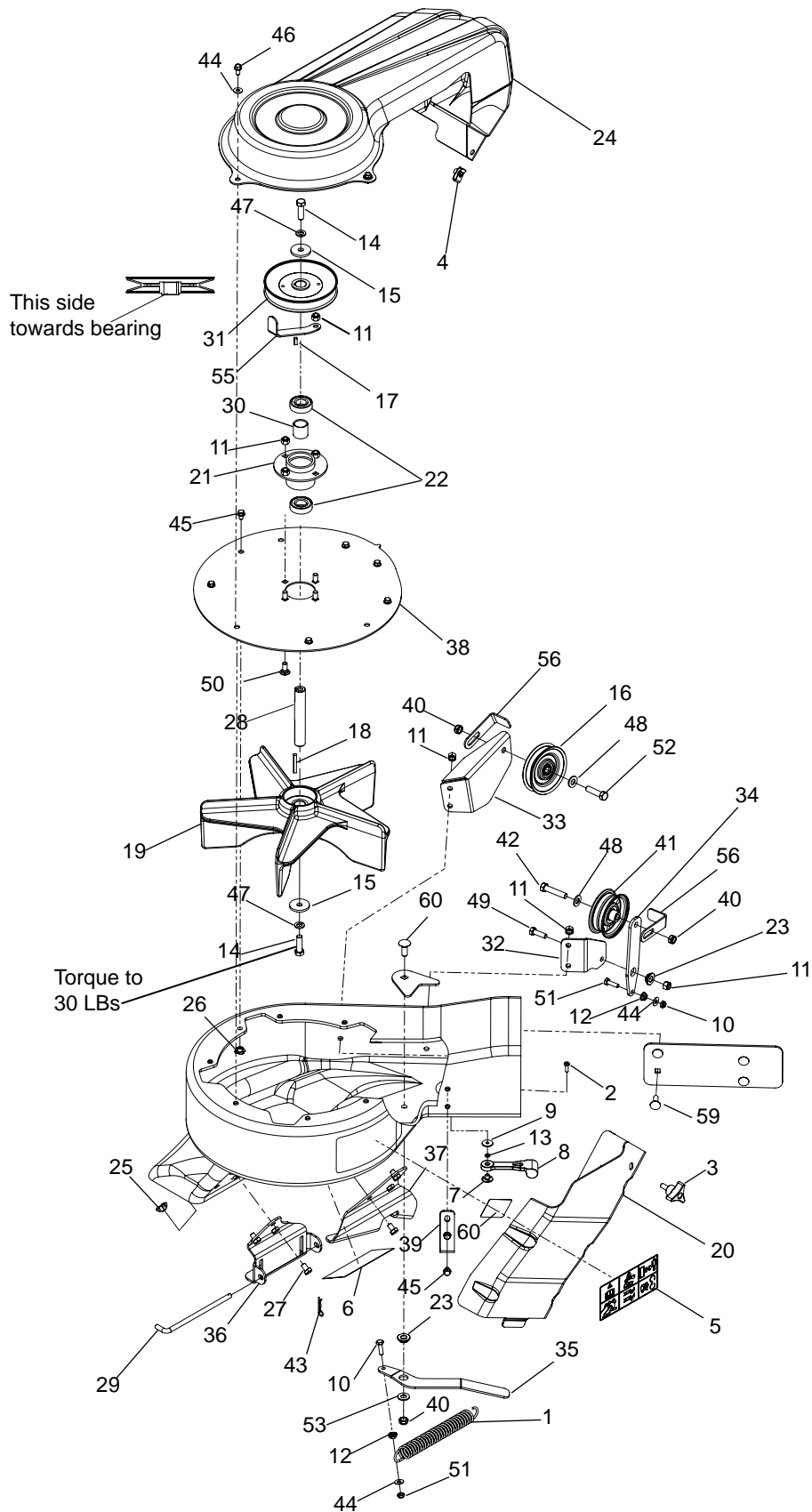
BAG ASSEMBLY 539 131605



PARTS

ITEM	PART NO.	QTY.	DESCRIPTION	ITEM	PART NO.	QTY.	DESCRIPTION
1 ...	532 192709...	1...	SCREEN, COVER	12 ...	539 976977...	8...	NUT, #10-24, CROWNLOCK
2 ...	532 195373...	1...	COVER	13 ...	539 990627...	2...	HCS, ⁵ / ₁₆ -18 X 1¼, GR5
3 ...	539 976952...	6...	SCREW, #10-24 X ⁵ / ₈	14 ...	539 990188...	4...	WASHER, ⁵ / ₁₆ , SAE
4 ...	539 108096...	2...	SPRING, RETAINER	15 ...	539 990717...	2...	NUT, ⁵ / ₁₆ -18, NYLOC
5 ...	539 108097...	4...	PLUG, TUBING END	16 ...	539 110234...	1...	SUPPORT, CHUTE
6 ...	539 108098...	1...	BAGGER, FRAME	NOT SHOWN			
7 ...	532 192786...	2...	PIN, HINGE	...	539 108447...	1...	DECAL, CE
8 ...	532 192550...	1...	GASKET, COVER	...	539 108163...	1...	DECAL, CATCHER
9 ...	532 400226...	3...	CONTAINER	...	539 131605...	1	ASSEMBLY
10 ...	532 192603...	1...	SEAL, COVER	(INCLUDES ITEMS 1-12)			
11 ...	532 130895...	2...	HANDLE, BAGGER COVER				

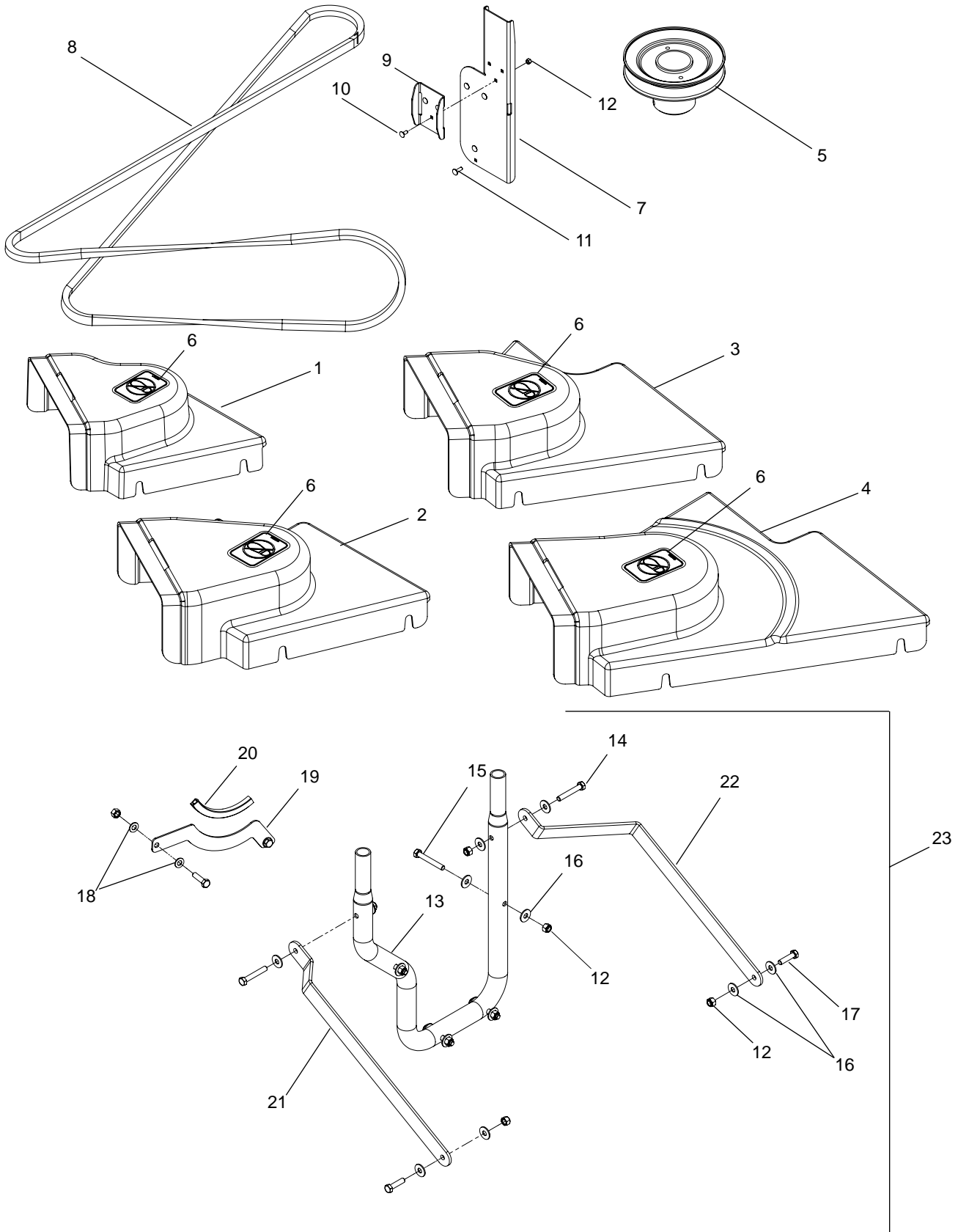
PARTS



PARTS

ITEM	PART NO.	QTY.	DESCRIPTION	ITEM	PART NO.	QTY.	DESCRIPTION
1	539 101977	1	TRACTION SPRING	30	539 130323	1	SPACER
2	539 976952	1	SCREW 10-24 x .625 RD	31	539 130324	1	PULLEY
3	539 104411	1	KNOB W/STUD	32	539 130335	1	MOUNT, IDLER, UPPER
4	539 104763	1	RETAINER ⁵ / ₁₆ "U" TYPE	33	539 130336	1	MOUNT, IDLER, LOWER
5	539 105785	1	EURO DECAL, WARNING	34	539 130337	1	ARM, IDLER
6	539 106741	1	EURO DECAL, SEVERING	35	539 130338	1	ARM, TENSION
7	539 108084	1	WASHER, ³ / ₁₆ x ³ / ₄ x 16 GA	36	539 130339	1	BRKT, MT, FRONT
8	539 108088	1	LATCH, HOOD	37	539 130340	1	BRKT, MT, REAR
9	539 108089	1	PLATED, WELD NUT	38	539 130341	1	PLATE, OUTER
10	539 108120	2	NUT ¹ / ₄ -20 HEX NYLOC ZD	39	539 130346	1	KEEPER
11	539 990717	5	NUT ⁵ / ₁₆ -18 HEX NYLOC ZD	40	539 200282	3	NUT, ³ / ₈ -16 HEX JAM NYLOC
12	539 108735	2	NUT ¹ / ₄ -20 HEX FLANGE	41	539 919078	1	IDLER PULLEY
13	539 109552	2	WASH ³ / ₁₆ LOCK ZD	42	539 976949	1	HCS ³ / ₈ -16 x 1 ³ / ₄ GR 5 ZD
14	539 110321	2	BOLT, HEX ³ / ₈ -24 x 1 ¹ / ₄ GR 8	43	539 976988	1	HAIRPIN COTTER
15	539 110323	2	WASHER, HARDENED	44	539 990055	13	WASHER, ¹ / ₄ FLAT SAE ZD
16	539 113683	1	V-IDLER	45	539 990302	8	SCREW, ¹ / ₄ x ³ / ₈ THRD FRM
17	539 115667	1	KEY, ³ / ₁₆ x ¹ / ₂	46	539 108461	3	HCS ¹ / ₄ -20 x ¹ / ₂ GR 5 ZD
18	539 125229	1	KEY-SQ. ³ / ₁₆ x 1 ¹ / ₂	47	539 990118	2	WASHER, ³ / ₈ SPLT LOCK ZD
19	539 130292	1	IMPELLER	48	539 990122	2	WASHER, ³ / ₈ SAE FLT ZD
20	539 130293	1	COVER, BELT	49	539 990209	1	HCS ⁵ / ₁₆ -18 x 1 GR 5 ZD
21	539 130295	1	HUB, BEARING	50	539 990316	4	RHSNB ⁵ / ₁₆ -18 x ³ / ₄ GR5 ZD
22	539 130296	2	BEARING	51	539 990643	2	HCS ¹ / ₄ -20 x ⁷ / ₈ GR 5 ZD
23	539 130301	2	BUSHING	52	539 990655	1	HCS ³ / ₈ -16 x 1 ¹ / ₂ GR 5 ZD
24	539 130309	1	COVER, OUTER PULLEY	53	539 990692	1	WASHER, ⁵ / ₁₆ STD FLT ZD
25	539 130313	6	NUT, ⁵ / ₁₆ -18 TEE	54	539 130349	1	DECAL, BELT ROUTING
26	539 130314	11	NUT, ¹ / ₄ -20 TEE	55	539 131085	1	KEEPER, BELT, OUTER
27	539 130315	6	HCS ⁵ / ₁₆ -18 x ¹ / ₂ GR 5 ZD	56	539 131087	2	KEEPER, BELT, REAR
28	539 130316	1	SHAFT, IMPELLER	57	539 132122	1	PLATE, BACKING
29	539 130317	1	PIN	58	539 132124	1	PLATE, BACKING

PARTS



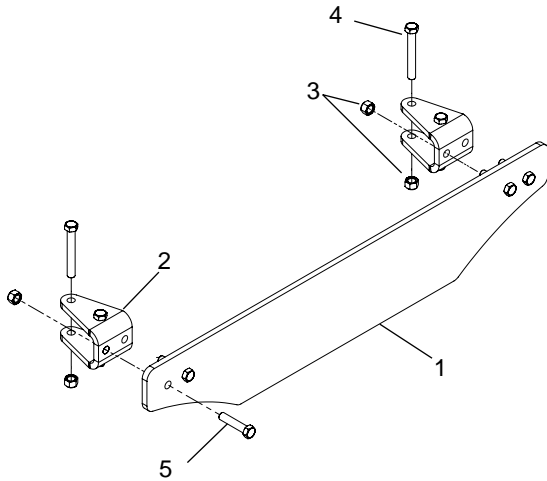
PARTS

ITEM	PART NO.	QTY.	DESCRIPTION
1 ...	539 130305...	1...	SHIELD, BELT, 42"
2 ...	539 130306...	1...	SHIELD, BELT, 48"
3 ...	539 130307...	1...	SHIELD, BELT, 52"
4 ...	539 130308...	1...	SHIELD, BELT, 61"
5 ...	539 130319...	1...	PULLEY, 42/48"
	... 539 130320...	1...	PULLEY, 52"
	... 539 130321...	1...	PULLEY, 61"
6 ...	539 105743...	1...	DECAL, EURO NO STEP
7 ...	539 130342...	1...	PLATE, MOUNT
8 ...	539 130334...	1...	BELT, 42"
	... 539 130347...	1...	BELT, 48/52"
	... 539 130348...	1...	BELT, 61"
9 ...	539 130343...	1...	PLATE, BACKING
10 ...	539 990316...	3...	RHSNB $\frac{5}{16}$ -18 x $\frac{3}{4}$

ITEM	PART NO.	QTY.	DESCRIPTION
11 ...	539 990208...	4...	RRSNB $\frac{5}{16}$ -18 x 1
12 ...	539 990717...	13...	NUT, $\frac{5}{16}$ -18 HEX NYLOC
13 ...	539 131091 ..	1 ..	TUBE, MOUNT
14 ...	539 976937 ..	2 ..	HCS $\frac{5}{16}$ -18 X 2 GR 5 ZD
15 ...	539 976938 ..	4 ..	HCS $\frac{5}{16}$ -18 X 2 $\frac{1}{4}$ GR 5 ZD
16 ...	539 990692	16 ..	WASHER, $\frac{5}{16}$ STD FLT ZD
17 ...	539 990627 ..	4 ..	HCS $\frac{5}{16}$ -18 X 1 $\frac{1}{4}$ GR 5 ZD
18 ...	539 990188 ..	4 ..	WASH $\frac{5}{16}$ SAE FLAT ZD
19	539 110234 ..	1 ..	SUPPORT, HOSE
20	539 112294 ..	1 ..	FLEX TRIM, BLACK
21 ...	539 131089 ..	1 ..	STRAP, RT
22 ...	539 131090 ..	1 ..	STRAP, LT
23 ...	539 130279...	1...	MOUNT KIT, COMPLETE

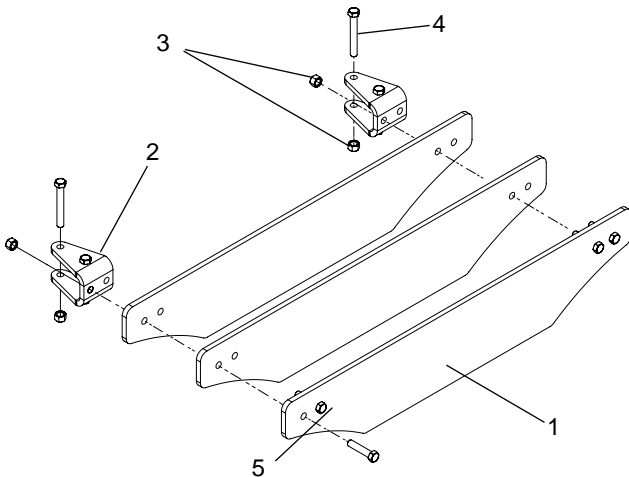
PARTS

WEIGHT KIT 42/48" 2 BIN



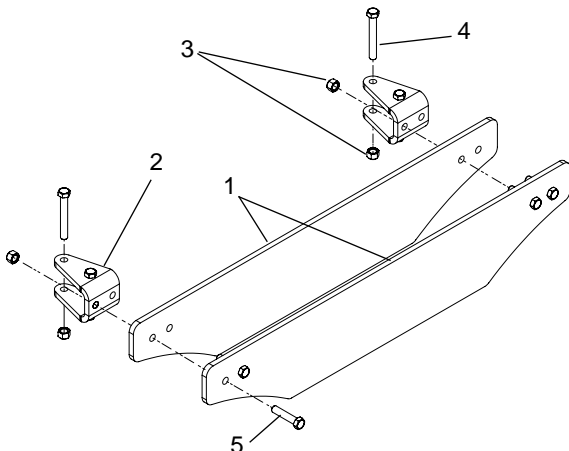
ITEM	PART NO.	QTY.	DESCRIPTION
1	539 113232	1	WEIGHT PLATE
2	539 113203	2	WEIGHT BRACKET
3	539 976979	8	NUT $\frac{3}{8}$ -16 HEX NYLOC ZD
4	539 102612	4	HCS $\frac{3}{8}$ -16 x $2\frac{3}{4}$ GR 5 ZD
5	539 976941	4	HCS $\frac{3}{8}$ -16 x $1\frac{1}{4}$ GR 5 ZD

WEIGHT KIT 42/48" 3 BIN



ITEM	PART NO.	QTY.	DESCRIPTION
1	539 113232	3	WEIGHT PLATE
2	539 113203	2	WEIGHT BRACKET
3	539 976979	8	NUT $\frac{3}{8}$ -16 HEX NYLOC ZD
4	539 102612	4	HCS $\frac{3}{8}$ -16 x $2\frac{3}{4}$ GR 5 ZD
5	539 976949	4	HCS $\frac{3}{8}$ -16 x $1\frac{3}{4}$ GR 5 ZD

WEIGHT KIT 52" 3 BIN



ITEM	PART NO.	QTY.	DESCRIPTION
1	539 113232	2	WEIGHT PLATE
2	539 113203	2	WEIGHT BRACKET
3	539 976979	8	NUT $\frac{3}{8}$ -16 HEX NYLOC ZD
4	539 102612	4	HCS $\frac{3}{8}$ -16 x $2\frac{3}{4}$ GR 5 ZD
5	539 976949	4	HCS $\frac{3}{8}$ -16 x $1\frac{3}{4}$ GR 5 ZD

