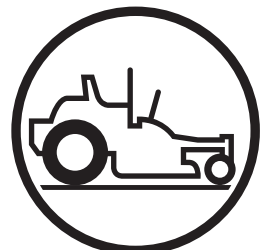


Parts Manual

EZF 3417/ 965879301

Please read the operator's manual carefully and make sure you understand the instructions before using the machine.



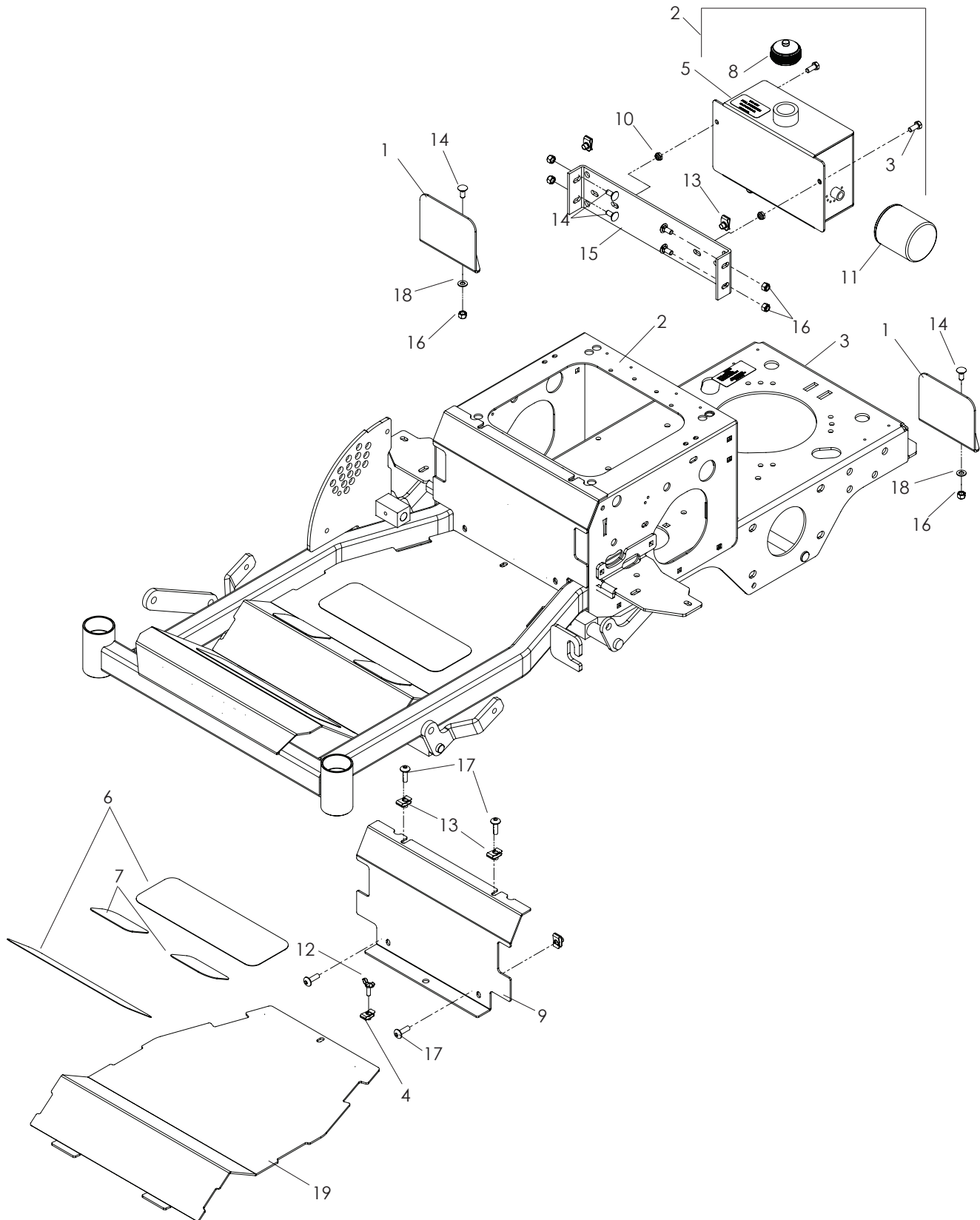
English

CONTENTS

CHASSIS / FRAME	4	CONTROLS.....	18
ENGINE.....	6	FUEL SYSTEM.....	20
STEERING	8	SEAT	22
PARKING BRAKE	10	CASTERS.....	24
HYDRAULIC PUMP-MOTOR.....	12	ELECTRICAL	26
MOWER LIFT / DECK LIFT	14	DRIVE.....	28
34 INCH DECK.....	16	DECALS	30

NOTE: ALL FASTENERS ARE GRADE 5 UNLESS OTHERWISE SPECIFIED.

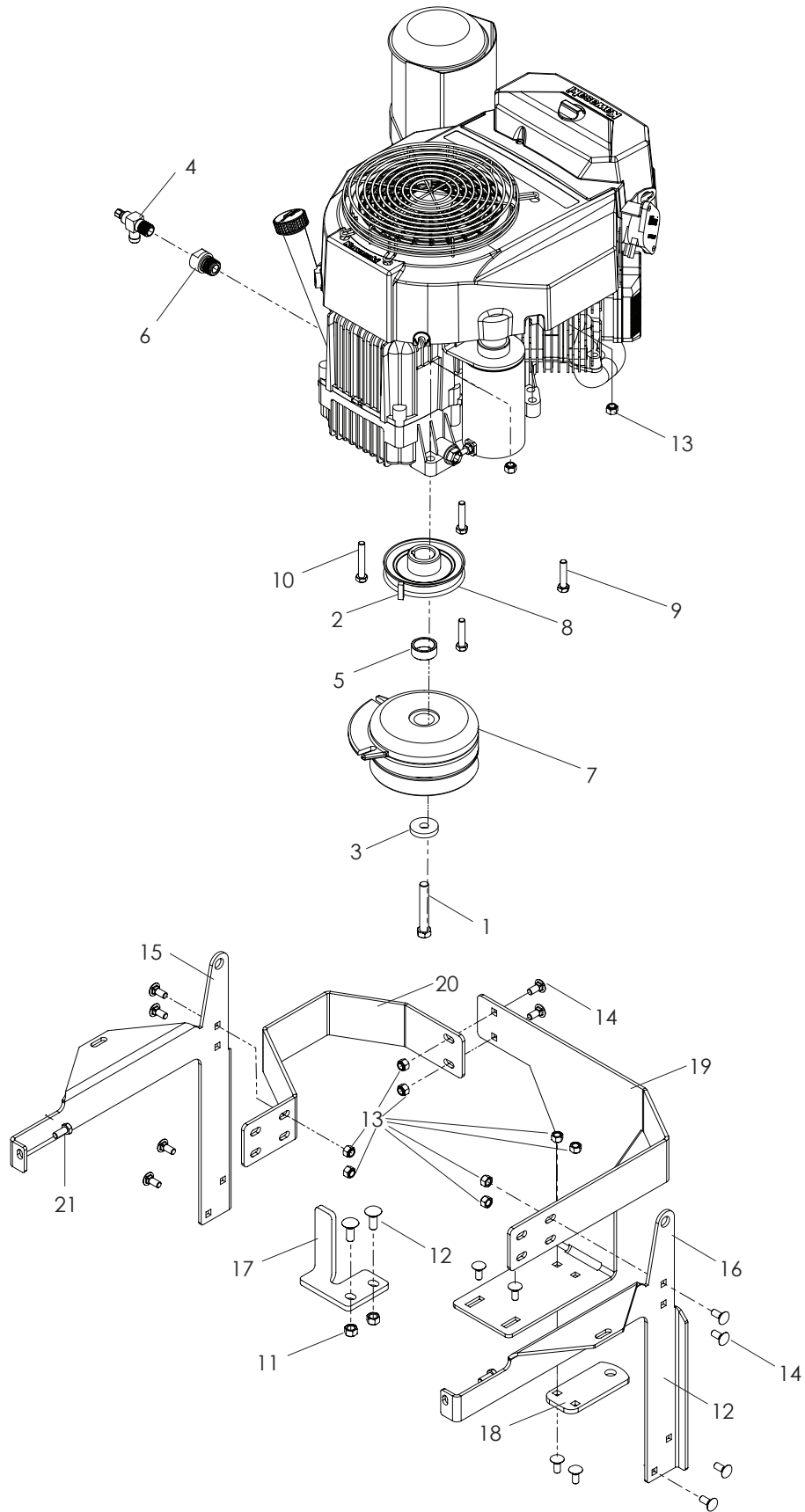
CHASSIS / FRAME



CHASSIS / FRAME

ITEM	PART NO.	QTY.	DESCRIPTION	ITEM	PART NO.	QTY.	DESCRIPTION
1..	539 121506	...2	...BRACKET, BLOCKOUT	11..	539 1217631OIL FILTER
2..	539 121767	...1	... TANK ASSM	12..	539 118691	...1	... SCREW 1/4-20 x 3/4 WING
3..	539 976934	...2	... HCS 5/16-18 x 3/4	13..	539 104763	...6	... U TYPE RETAINER 5/16
4..	539 110813	...1	... U TYPE RETAINER 1/4	14..	539 990316	...6	... RHSNB 5/16-18 x 3/4
5..	539 114832	...1	...DECAL, OIL TANK	15..	521 997701	...1	...CHANNEL, TANK MOUNT
6..	539 977778	...2	...ABRASIVE PAD	16..	539 990717	...6	... NUT 5/16-18 NYLOC
7..	539 107958	...2	... FOOT PAD	17..	539 117399	...4	... SCREW, BUTTON HEAD
8..	539 1012021 OIL CAP	18..	539 990188	...2	... WASHER 5/16 SAE
9..	521 996901	...1	... PANEL, FRONT	19..	522 420801	...1	... PLATE, FOOT W/DECALS
10..	539 1156172	... NUT 5/16-18 NYLOC				

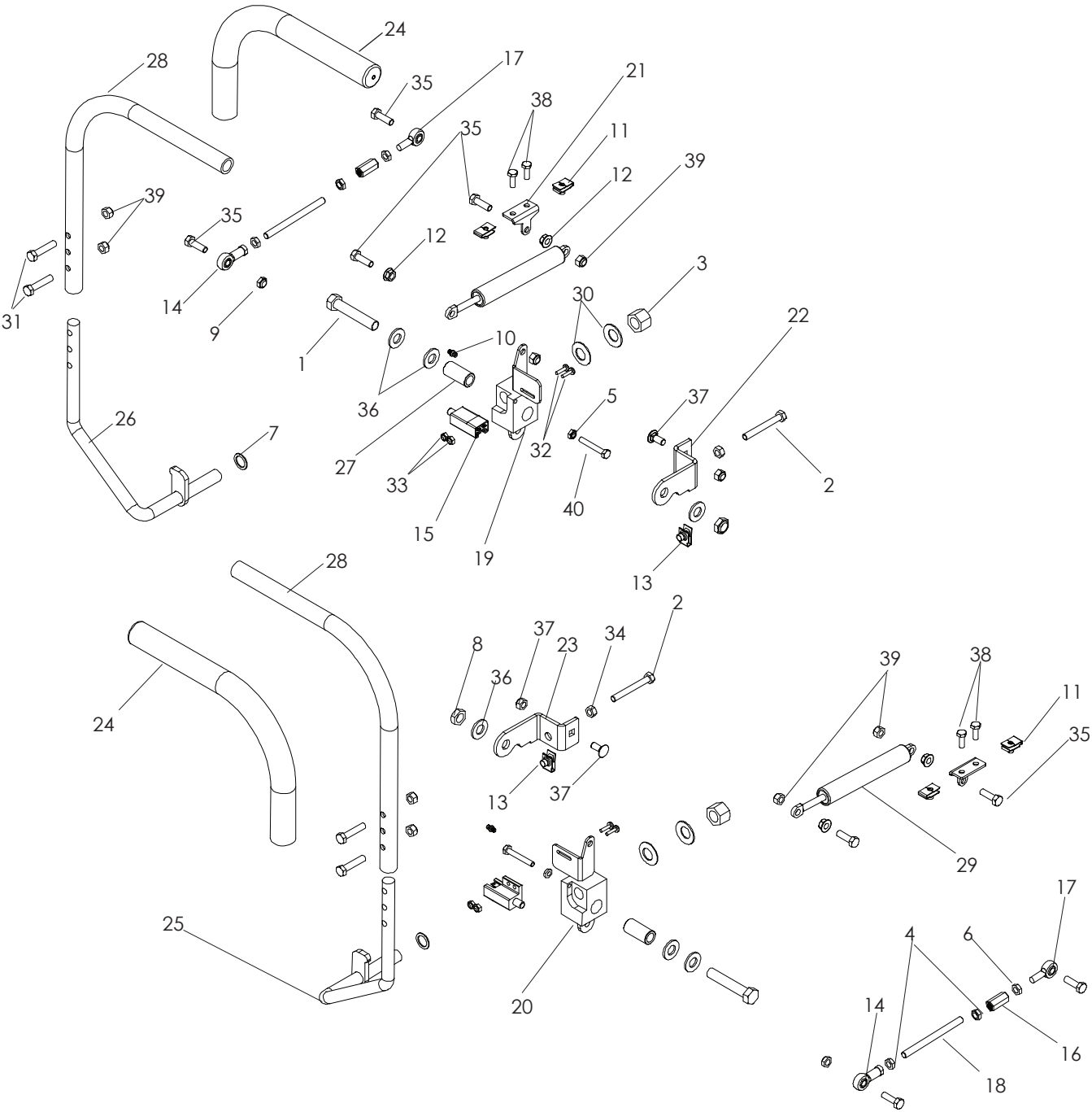
ENGINE



ENGINE

ITEM	PART NO.	QTY.	DESCRIPTION	ITEM	PART NO.	QTY.	DESCRIPTION
1..	539 1100651 BOLT, $\frac{7}{16}$ -20 x $2\frac{3}{4}$	12..	539 9906452 RHSNB $\frac{3}{8}$ -16 x 1
2..	539 1153871 KEY, $\frac{1}{4}$ x .88	13..	539 990717	..18 NUT $\frac{5}{16}$ -18 HEX NYLOC
3..	539 1155461 WASHER $\frac{7}{16}$	14..	539 990316	..14 RHSNB $\frac{5}{16}$ -18 x $\frac{3}{4}$
4..	539 1188931 OIL DRAIN	15..	522 0258011 BRACKET, TANK RT
5..	539 1194891 HUB, BEARING-SPACER	16..	522 0259011 BRACKET, TANK, LT
6..	539 1196801 ADAPTOR, OIL DRAIN	17..	522 0286011 ANCHOR, CLUTCH
7..	539 1207861 CLUTCH	18..	539 1328221 HITCH, BLACK
8..	539 1213081 DRIVE PULLEY, ENGINE	19..	539 1328241 GUARD, REAR
9..	539 9769353 HCS $\frac{5}{16}$ -18 x $1\frac{1}{2}$	20..	539 1328251 GUARD, MUFFLER
10..	539 9769371 HCS $\frac{5}{16}$ -18 x 2	21..	539 9769344 HCS $\frac{5}{16}$ -18 x $\frac{3}{4}$
11..	539 9769792 NUT $\frac{3}{8}$ -16 HEX NYLOC				

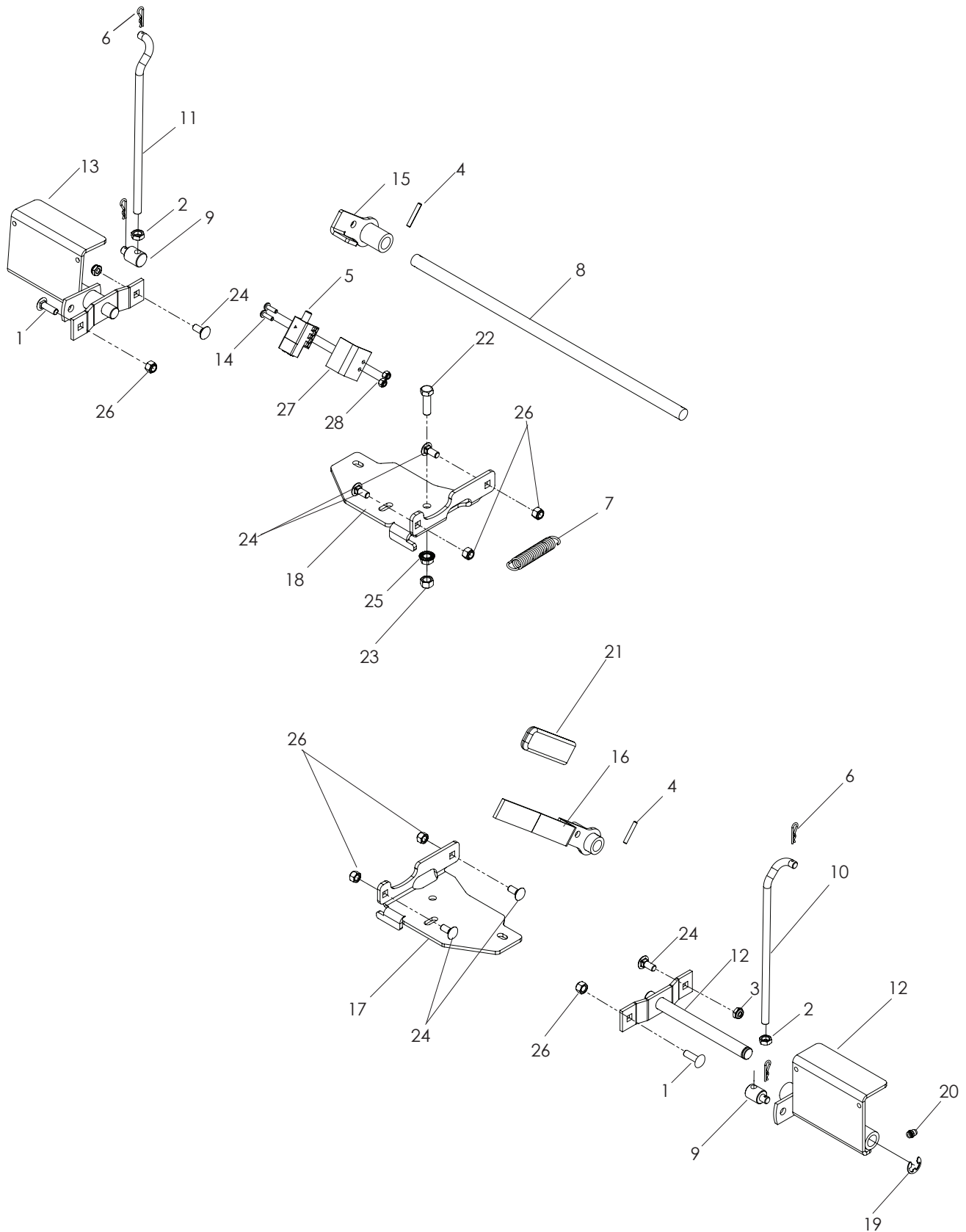
STEERING



STEERING

ITEM	PART NO.	QTY.	DESCRIPTION	ITEM	PART NO.	QTY.	DESCRIPTION
1..	539 1013322 HHB ½-13 x 2¾	21..	539 1179002 MOUNT, DAMPENER
2..	539 1083962 HHB 5/16-18 x 2½	22..	539 1179491 FORWARD STOP RH
3..	539 1103402 NUT 5/8-11 NYLOC	23..	539 1179501 FORWARD STOP LH
4..	539 1155024 NUT 5/16-24 JAM	24..	539 1208992 GRIP
5..	539 9911122 NUT ¼-20 JAM	25..	539 1209501 LEVER LH
6..	539 9910732 NUT 5/16-24 JAM LH	26..	539 1209511 LEVER RH
7..	539 1155702 WASHER, .626 ID x .056	27..	539 1209562 BUSHING ½ ID x ¾ OD
8..	539 1080102 NUT ½-13 NYLOC	28..	539 1210652 LEVER, UPPER
9..	539 1156172 NUT 5/16-18 NYLOC	29..	539 1144532 DAMPENER, DUAL ACTION
10..	539 1156382 GREASE ZERK	30..	539 9111214 BELLEVILLE WASHER 5/8
11..	539 1108134 U TYPE RETAINER ¼	31..	539 9769354 HHB 5/16-18 x 1½
12..	539 1156748 NUT 5/16-18 FLANGE	32..	539 9769524 SCR 10-24 x 5/8, PAN HD
13..	539 1047632 U TYPE RETAINER 5/16	33..	539 9769774 NUT 10-24 NYLOC
14..	539 1157292 ROD END RH	34..	539 9901962 NUT 5/16-18
15..	539 1010802 DECK SWITCH	35..	539 990209	..10 HHB 5/16-18 x 1
16..	539 1166892 ROD END COUPLER	36..	539 9902506 WASHER ½ NARROW
17..	539 1166902 ROD END LH	37..	539 9903162 RHSNB 5/16-18 x ¾
18..	539 1174762 ROD	38..	539 9905804 HHB ¼-20 x ¾
19..	539 1178631 STEERING CONTROL RH	39..	539 990717	..10 NUT 5/16-18 NYLOC
20..	539 1178651 STEERING CONTROL LH	40..	539 9910032 HHB ¼-20 x 1¾

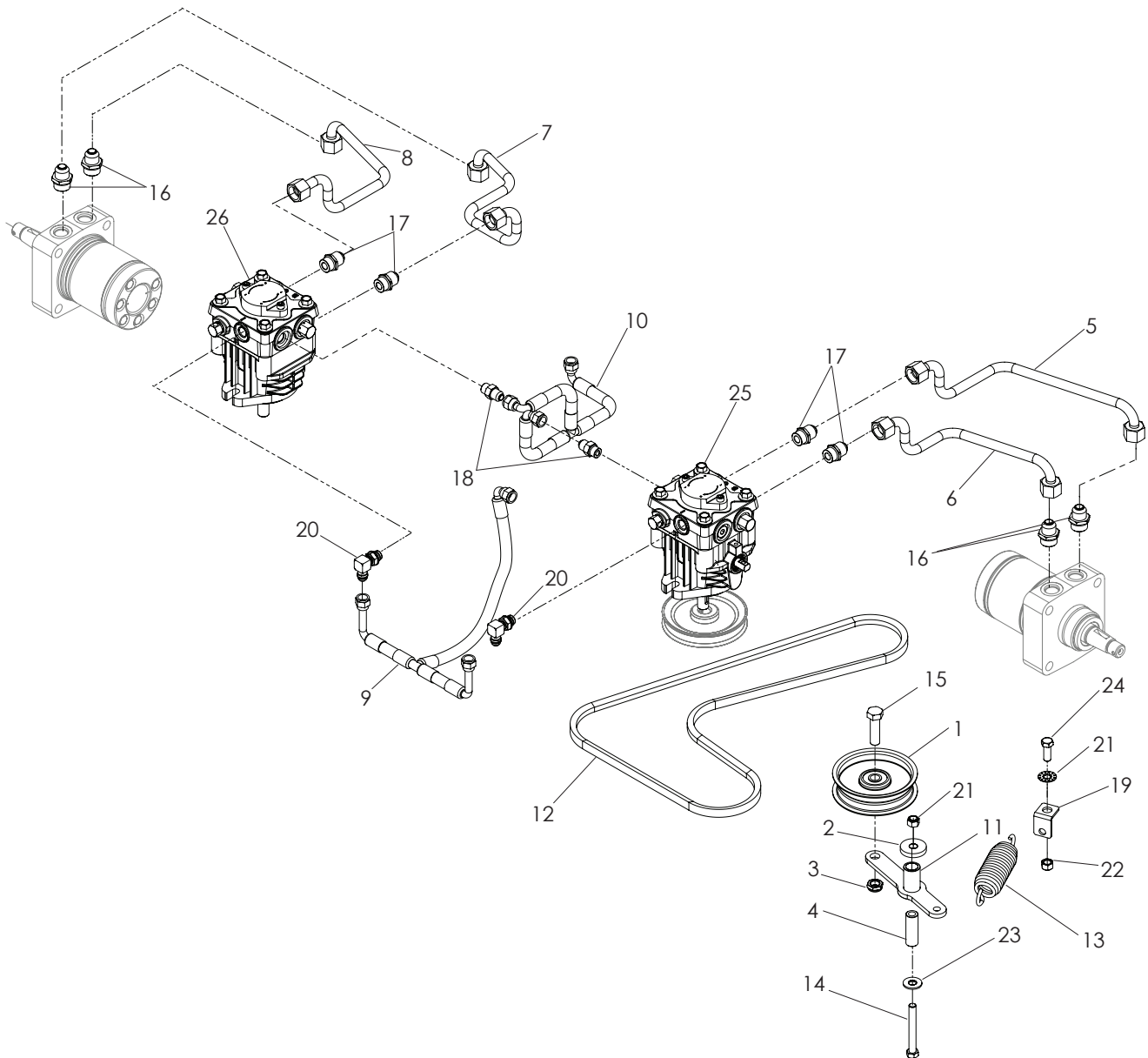
PARKING BRAKE



PARKING BRAKE

ITEM	PART NO.	QTY.	DESCRIPTION	ITEM	PART NO.	QTY.	DESCRIPTION
1..	539 107271....	2RHSSNB $\frac{5}{16}$ -18 x 1	15..	539 117823....	1 BRAKE LINK, DRILLED
2..	539 109332....	2 NUT $\frac{3}{8}$ -16 JAM	16..	539 117824....	1 BRAKE HANDLE DRILLED
3..	539 115617....	2 NUT $\frac{5}{16}$ -18 NYLOC	17..	521 997801....	1 BRACKET, TANK MNT LH
4..	539 115668....	2 ROLL PIN, $\frac{3}{16}$ x $1\frac{1}{4}$	18..	521 997901....	1 BRACKET, TANK MNT RH
5..	539 121861 ...	1	... BRAKE SWITCH	19..	539 117898....	2 E-RING $\frac{7}{8}$
6..	539 115680....	4 HAIR PIN COTTER	20..	539 118928....	2 ZERK, GREASE $\frac{1}{4}$
7..	539 116350....	1 SPRING	21..	539 120921....	1 GRIP, BRAKE HANDLE
8..	539 117477....	1 SHAFT, BRAKE	22..	539 976941....	1 HHB $\frac{3}{8}$ -16 x $1\frac{1}{4}$
9..	539 117478....	2 SWIVEL, BRAKE	23..	539 976979....	1 NUT $\frac{3}{8}$ -16 NYLOC
10..	539 117522....	1 ROD, BRAKE LH	24..	539 990316....	6 RHSNB $\frac{5}{16}$ -18 x $\frac{3}{4}$
11..	539 117523....	1 ROD, BRAKE RH	25..	539 990613....	1 NUT $\frac{3}{8}$ -16 FLANGE
12..	539 114902....	1 BRAKE SHOE LH	26..	539 990717....	2 NUT $\frac{5}{16}$ -18 NYLOC
13..	539 114903....	1 BRAKE SHOE RH	27..	539 117851....	1 MOUNT, SWITCH
14..	539 102617....	2 SCREW #10-24 x $\frac{7}{8}$	28..	539 976977....	2 NUT #10-24 NYLOC

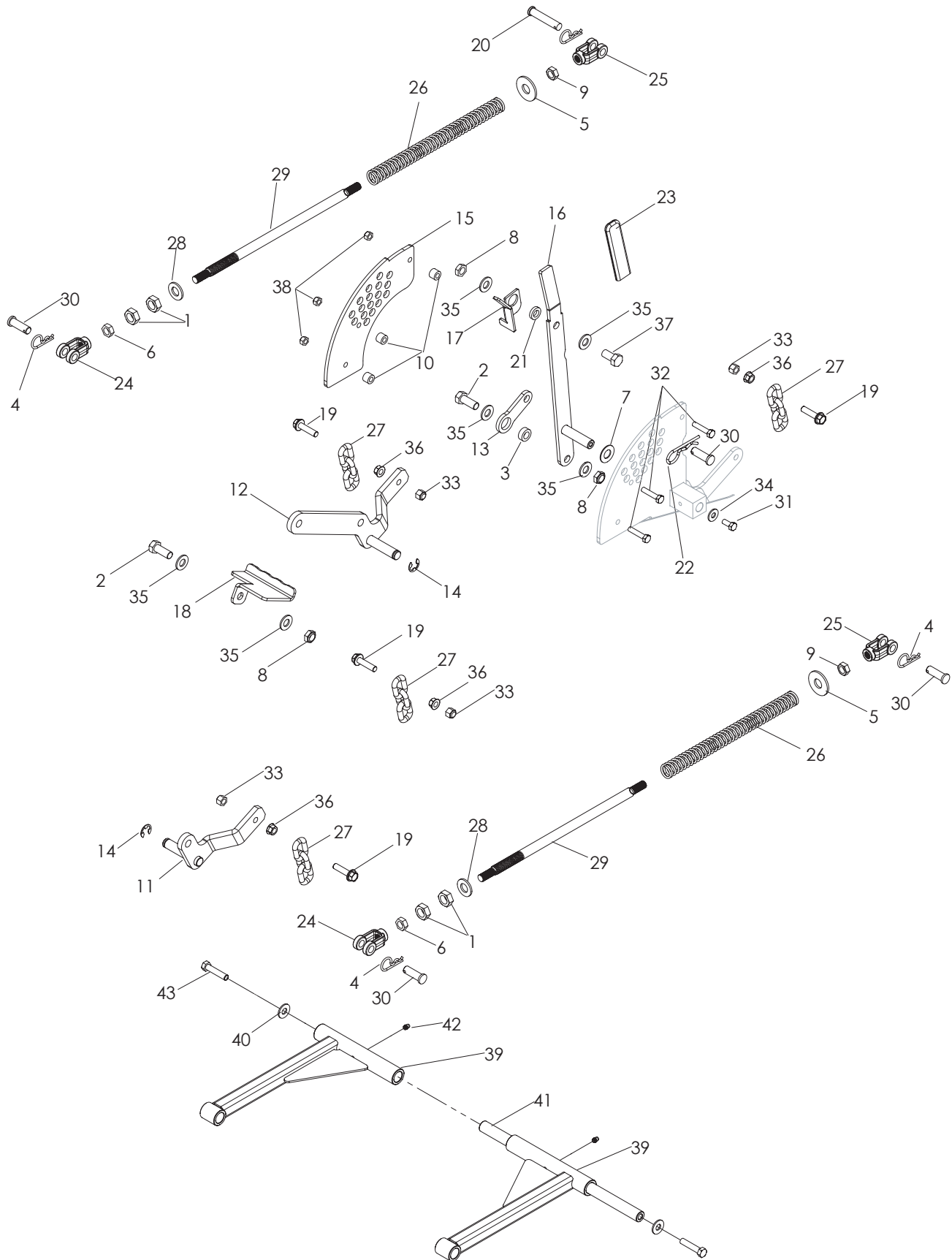
HYDRAULIC PUMP-MOTOR



HYDRAULIC PUMP-MOTOR

ITEM	PART NO.	QTY.	DESCRIPTION	ITEM	PART NO.	QTY.	DESCRIPTION
1..	539 1152781 IDLER PULLEY	14..	539 1188691 HHB $\frac{3}{8}$ -16 x 3
2..	539 1155461 WASHER $\frac{7}{16}$	15..	539 1189631 HHB $\frac{1}{2}$ -13 x $1\frac{3}{4}$
3..	539 1080101 NUT $\frac{1}{2}$ -13 NYLOC	16..	539 1217594 FITTING HYDRAULIC
4..	539 1160081 BUSHING 1.90	17..	539 1217604 FITTING HYDRAULIC
5..	539 1178551 TUBE HYD LH-A	18..	539 1217612 FITTING HYDRAULIC
6..	539 117856	...1 TUBE HYD LH-B	19..	539 1218591 SPRING MOUNT
7..	539 1178571 TUBE HYD RH-A	20..	539 1268882 ADAPTER-MALE $\frac{9}{16}$ -18
8..	539 1178581 TUBE HYD RH-B	21..	539 1269371 WASHER $\frac{3}{8}$ INT EXT L
9..	539 1178721 T-ASM HYD SUCTION	22..	539 9769791 NUT $\frac{3}{8}$ -16 NYLOC
10..	539 1178731 T-ASM HYD CASE DRAIN	23..	539 9905171 WASHER $\frac{3}{8}$
11..	539 1178851 BELT TENSIONER	24..	539 9905631 HHB $\frac{3}{8}$ -16 x 1
12..	539 1180121 V-BELT	25..	539 1321451 PUMP LH
13..	539 1187621 SPRING	26..	539 1321461 PUMP RH

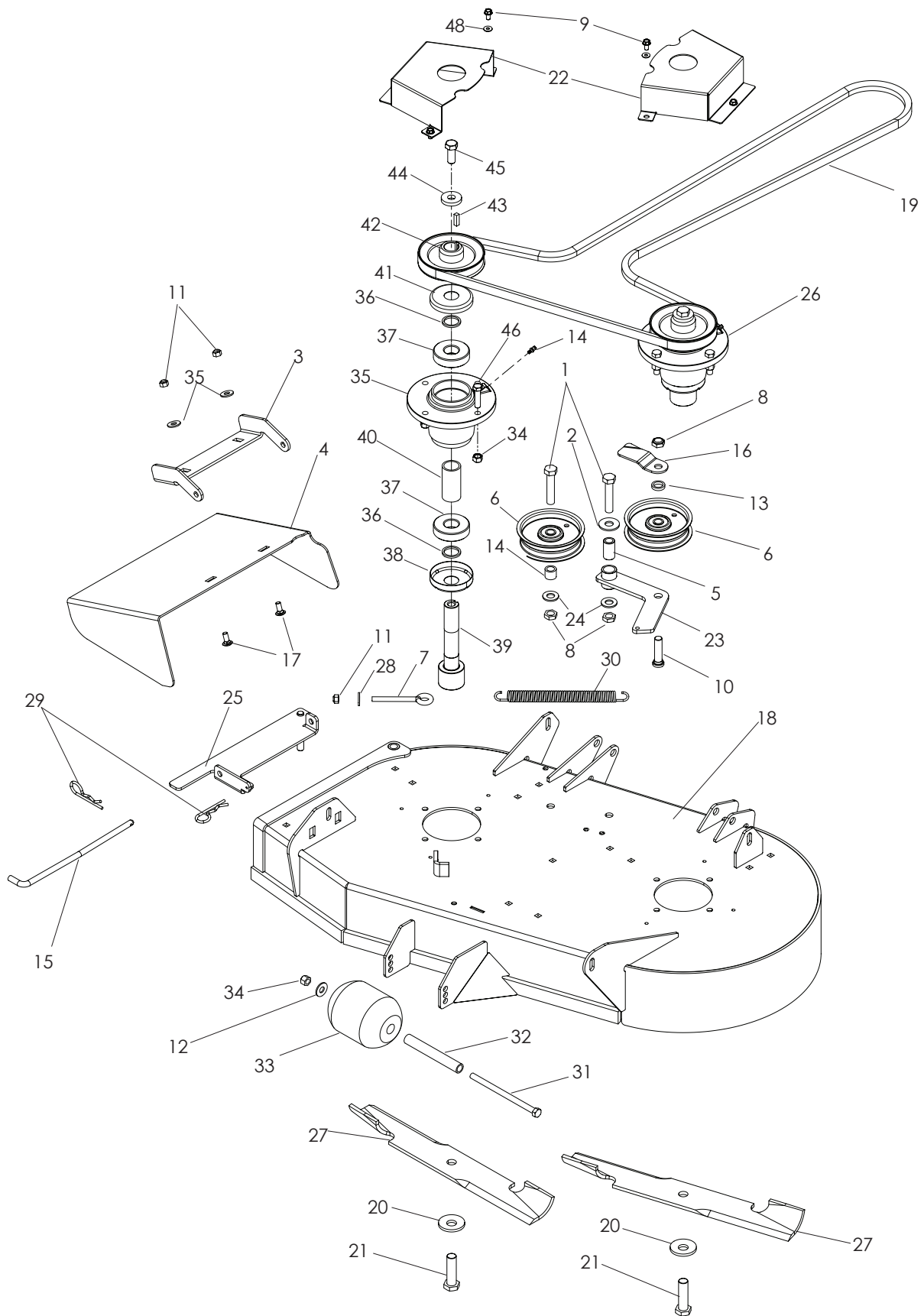
MOWER LIFT / DECK LIFT



MOWER LIFT / DECK LIFT

ITEM	PART NO.	QTY.	DESCRIPTION	ITEM	PART NO.	QTY.	DESCRIPTION
1..	539 100476....4	NUT $\frac{5}{8}$ -11 JAM	23..	539 120921....1	GRIP, BRAKE HANDLE
2..	539 108369....2	HHB $\frac{1}{2}$ -13 x $1\frac{1}{4}$	24..	539 121309....2	CLEVIS RH FEMALE
3..	539 115359....1	BLADE ADAPTOR	25..	539 121321....2	CLEVIS LH FEMALE
4..	539 115501....4	HAIR PIN COTTER	26..	539 121329....2	LIFT SPRING
5..	539 102653....2	WASHER $\frac{5}{8}$	27..	539 121333....4	CHAIN
6..	539 108736....2	NUT $\frac{1}{2}$ -20 JAM	28..	539 121338....2	WASHER, .65 x $1\frac{1}{4}$
7..	539 115565....1	WASHER $\frac{5}{8}$ x .063	29..	539 121557....2	TIE BAR
8..	539 108010....3	NUT $\frac{1}{2}$ -13 NYLOC	30..	539 122627....4	CLEVIS PIN $\frac{1}{2}$ x $1\frac{1}{2}$
9..	539 115769....2	NUT $\frac{1}{2}$ -20 JAM LH	31..	539 976934....1	HHB $\frac{5}{16}$ -18 x $\frac{3}{4}$
10..	539 116039....3	SPACER	32..	539 976935....3	HHB $\frac{5}{16}$ -18 x $1\frac{1}{2}$
11..	522 420501....1	LIFT ARM LH	33..	539 976979....4	NUT $\frac{3}{8}$ -16 NYLOC
12..	522 420301....1	LIFT ARM RH	34..	539 990188....1	WASHER $\frac{5}{16}$
13..	539 132810....1	LINK, LIFT HANDLE	35..	539 990250....6	WASHER $\frac{1}{2}$ NARROW
14..	539 117898....2	E-RING $\frac{7}{8}$	36..	539 990613....4	NUT $\frac{3}{8}$ -16 FLANGE
15..	539 117903....1	OUTER QUADRANT	37..	539 990646....1	HHB $\frac{1}{2}$ -13 x 1
16..	521 998301....1	LIFT HANDLE	38..	539 990717....3	NUT $\frac{5}{16}$ -18 NYLOC
17..	521 998201....1	LIFT LATCH	39..	521 998001....2	ARM, TRAILING
18..	521 998601....1	FOOT PEDAL	40..	539 990517....2	WASHER, $\frac{3}{8}$
19..	539 118165....4	HHB $\frac{3}{8}$ -16 x $1\frac{1}{2}$ FLG	41..	539 117852....1	SPACER, FRAME
20..	539 118783....1	CLEVIS PIN	42..	539 118928....2	ZERK, GREASE $\frac{1}{4}$
21..	539 119012....1	SPACER	43..	539 122697....2	SCREW, MACHINE
22..	539 120259....1	HAIR PIN COTTER				

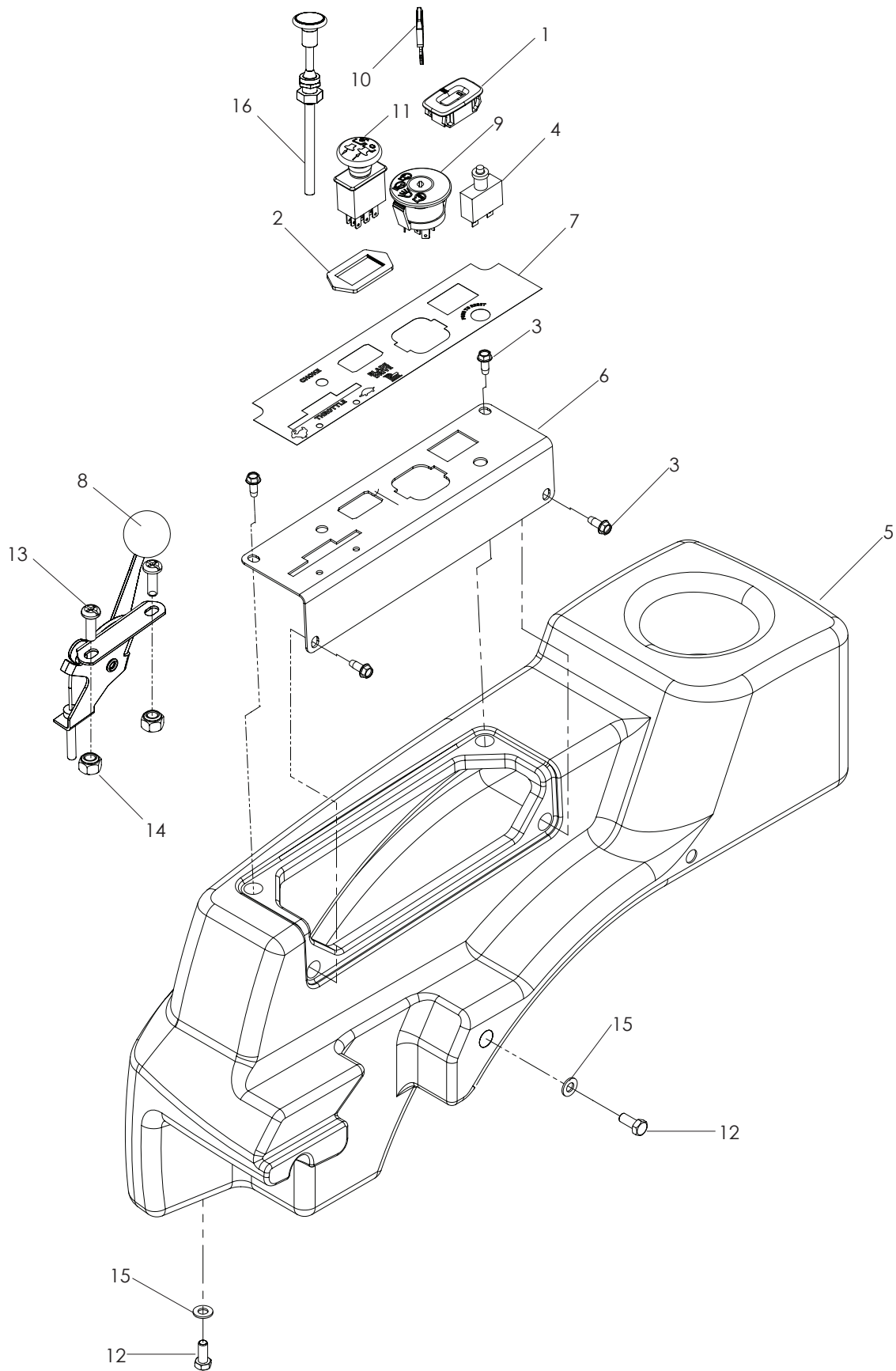
34 INCH DECK



34 INCH DECK

ITEM	PART NO.	QTY.	DESCRIPTION	ITEM	PART NO.	QTY.	DESCRIPTION
1..	539 108346....	2 HHB ½-13 x 2½	25..	522 032301....	1 MOUNT, DEFLECTOR
2..	539 109554....	1 WASHER ½	26..	539 117955....	2 SPINDLE ASSEMBLY
3..	522 032401....	1 HINGE, DEFLECTOR	27..	539 118039....	2 BLADE 34" HI-LIFT
4..	522 032501....	1 DEFLECTOR	28..	539 990188....	3 WASHER 5/16
5..	539 115220....	3 BUSHING ½ ID x ¾ OD	29..	539 121221....	2 HAIR PIN COTTER
6..	539 115278....	2 IDLER PULLEY	30..	539 120920....	1 SPRING, DECK BELT
7..	539 115574....	1 EYEBOLT 5/16 x 3½	31..	539 121478....	1 HHB ¾-16 x 6
8..	539 115609....	3 NUT ½-13 NYLOC	32..	539 122574....	1 BUSHING
9..	539 990362....	6 SCREW ¼-20 x 5/8, SELF TAP	33..	539 122633....	1 ROLLER, 3¾
10..	539 115647....	1 STUD ½-13 x 2	34..	539 976979....	5 NUT ¾-16 NYLOC
11..	539 990717....	3 NUT 5/16-18 NYLOC	35..	539 117968....	1 DECK HUB
12..	539 990517....	1 WASHER 3/8	36..	539 115326....	2 HUB PULLEY SPACER
13..	539 115948....	1 SPACER H.D. PULLEY	37..	539 119260....	2 BEARING, 6305 2RS
14..	539 116010....	1 TUBE, .51 x .75 x .63	38..	539 117954....	1 TRASH GUARD
15..	539 116225....	1 DEFLECTOR PIN	39..	539 117953....	1 SHAFT, SPINDLE
16..	539 116351....	1 BELT GUARD	40..	539 117969....	1 SPACER
17..	539 990316....	2 RHSNB 5/16-18 x ¾	41..	539 119811....	1 TRASH GUARD
18..	522 420901....	1 DECK W/DECALS	42..	539 119264....	1 PULLEY
19..	539 117811....	1 V-BELT	43..	539 115387....	1 KEY ¼ x .88
20..	539 117838....	2 BLADE WASHER	44..	539 115636....	1 WASHER, .525 x 1.375 x .25
21..	539 117839....	2 HHB 5/8-18 x 2¼ GR 8	45..	539 115511....	1 HHB ½-20 x 1¼
22..	539 117886....	2 PULLEY GUARD, 34	46..	539 990655....	4 HCS ¾-16 x 1½
23..	539 117888....	1 IDLER ARM	47..	539 115638....	1 ZERK, GREASE
24..	539 990250....	2 WASHER ½ NARROW	48..	539 990598....	6 WASHER ¼

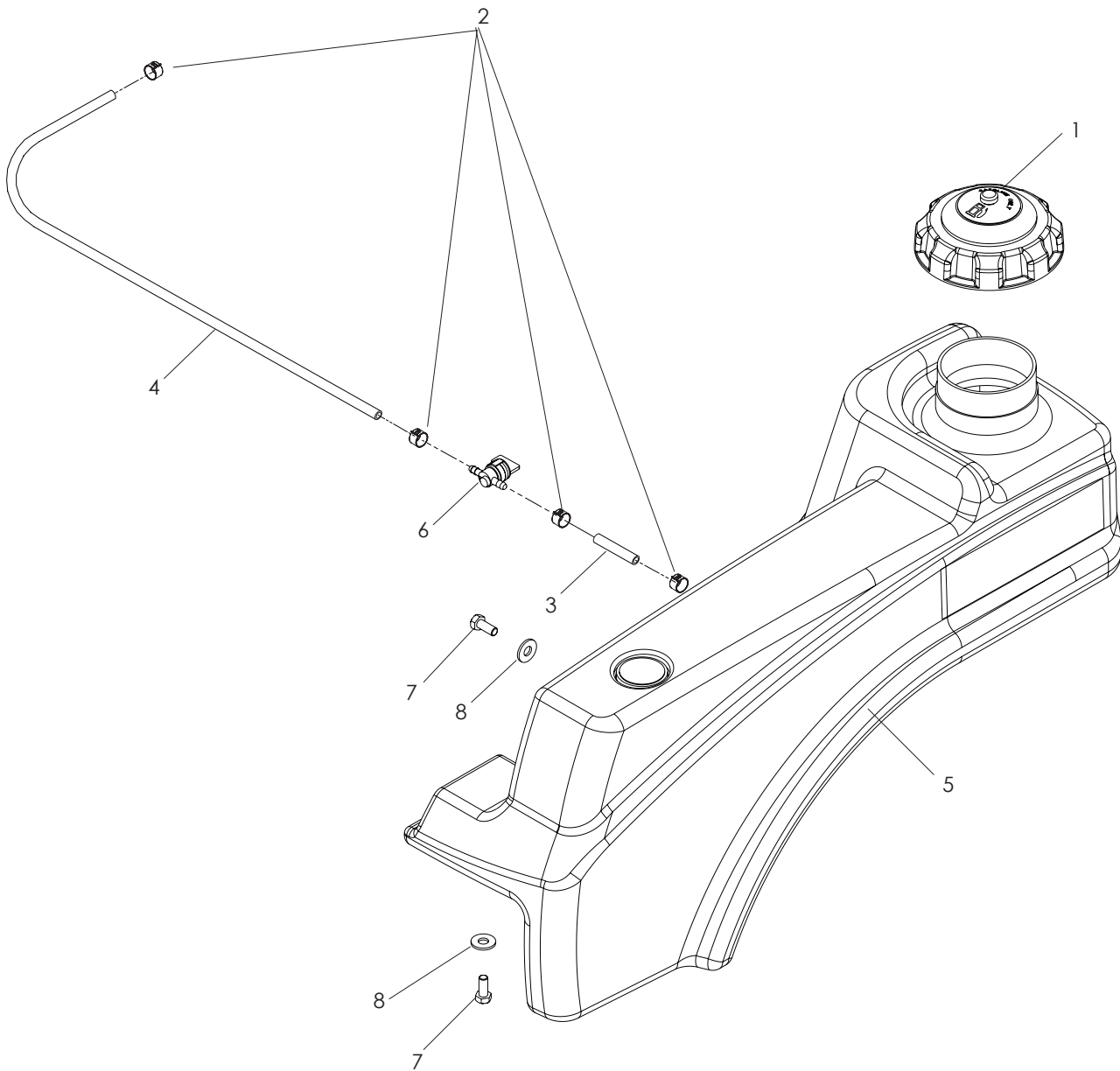
CONTROLS



CONTROLS

ITEM	PART NO.	QTY.	DESCRIPTION	ITEM	PART NO.	QTY.	DESCRIPTION
1..	539 1100741 HOUR METER	9..	539 1075411 IGNITION SWITCH
2..	539 1152081 BACKING PLATE	10..	539 1075441 KEY, IGNITION SWITCH
3..	539 9903624 SCREW 1/4-20 x 5/8, SELF TAP	11..	539 1017681 CLUTCH SWITCH
4..	539 1158501 CIRCUIT BREAKER	12..	539 9769342 HHB 5/16-18 x 3/4
5..	521 9974011 FENDER	13..	539 9769522 SCREW #10-24 x 5/8 PAN HD
6..	539 1319311 CONTROL PANEL	14..	539 9769772 NUT 10-24 NYLOC
7..	521 9984011 DECAL, CONTROL PANEL	15..	539 9901882 WASHER 5/16
8..	539 1032751 THROTTLE CABLE	16..	539 1227361 CHOKE CABLE

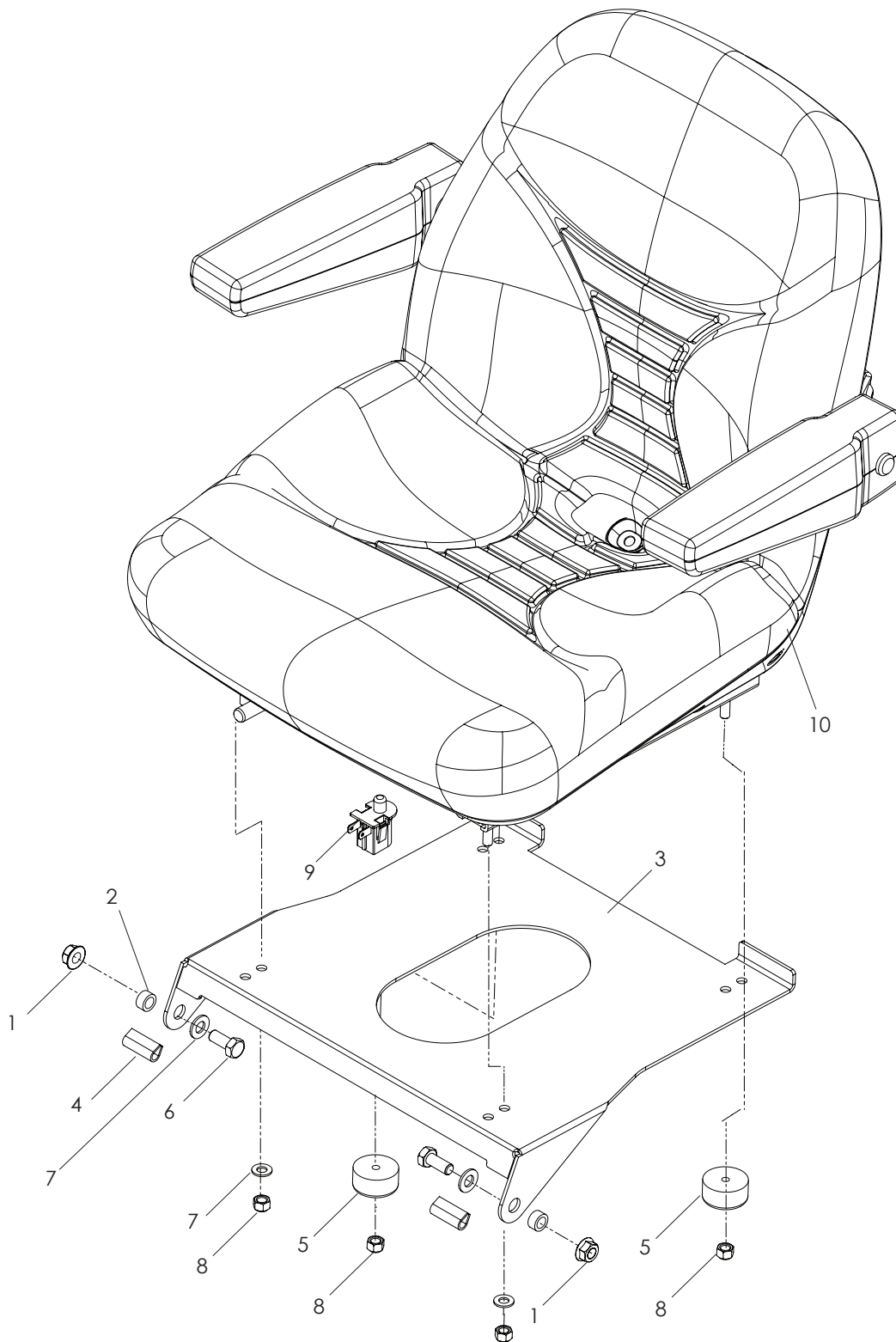
FUEL SYSTEM



FUEL SYSTEM

ITEM	PART NO.	QTY.	DESCRIPTION	ITEM	PART NO.	QTY.	DESCRIPTION
1..	539 106188....	1 CAP, FUEL	5..	521 997301....	1 FUEL TANK
2..	539 912222....	4 FUEL LINE CLAMP	6..	539 119272....	1 FUEL VALVE
3..	539 115736....	1 HOSE ¼ x 8	7..	539 976934....	2 HHB 5/16-18 x 3/4
4..	539 117050....	1 HOSE ¼ x 28	8..	539 990188....	4 WASHER 5/16

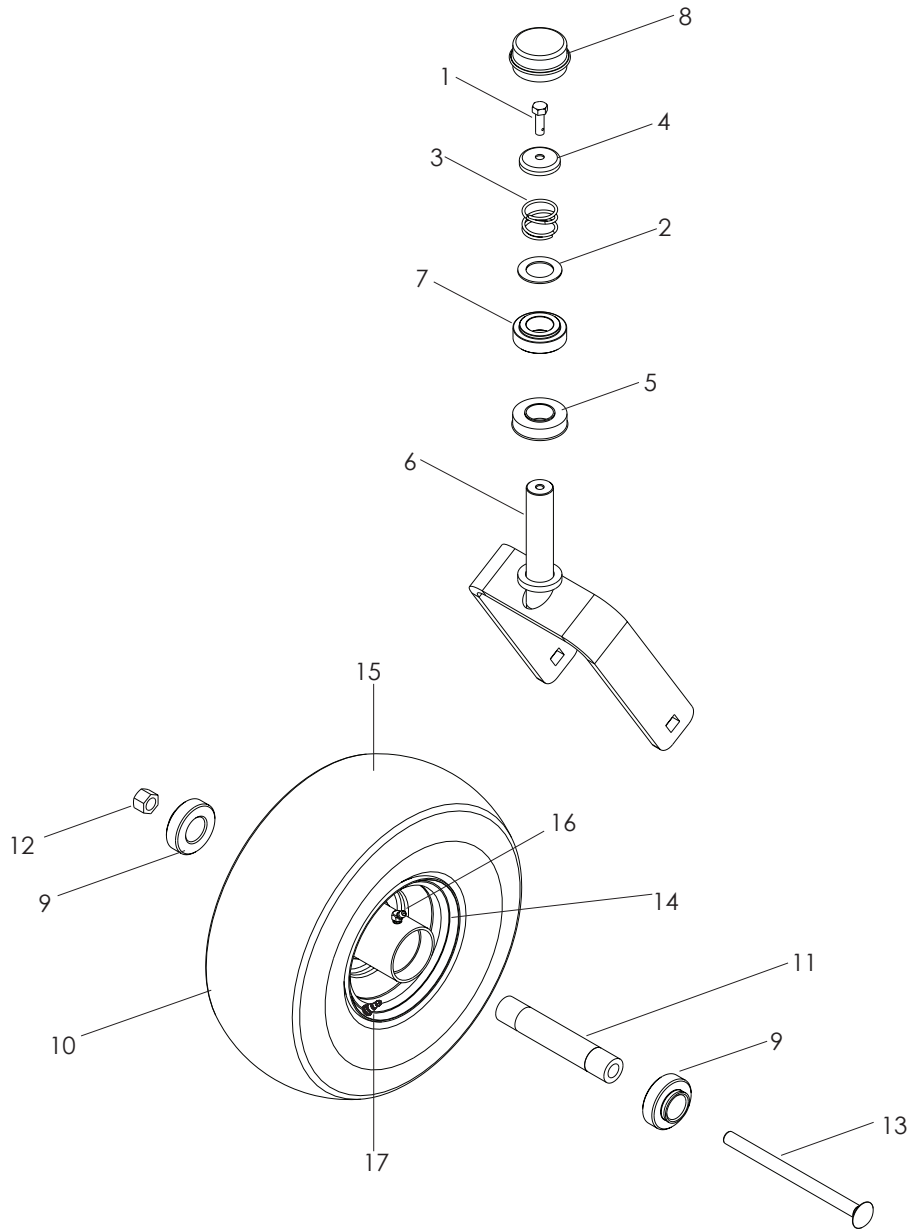
SEAT



SEAT

ITEM	PART NO.	QTY.	DESCRIPTION	ITEM	PART NO.	QTY.	DESCRIPTION
1..	539 115674....	2	NUT ⁵ / ₁₆ -18 FLANGE	6..	539 976934....	2	HHB ⁵ / ₁₆ -18 x ³ / ₄
2..	539 116091....	2	SPACER	7..	539 990188....	4	WASHER ⁵ / ₁₆
3..	521 997601....	1	SEAT PLATE	8..	539 990717....	4	NUT ⁵ / ₁₆ -18 NYLOC
4..	539 118102....	2	CLIP	9..	539 119741....	1	SEAT SWITCH
5..	539 119102....	2	ISO MOUNT 1½ x ³ / ₄	10..	539 130873....	1	SEAT

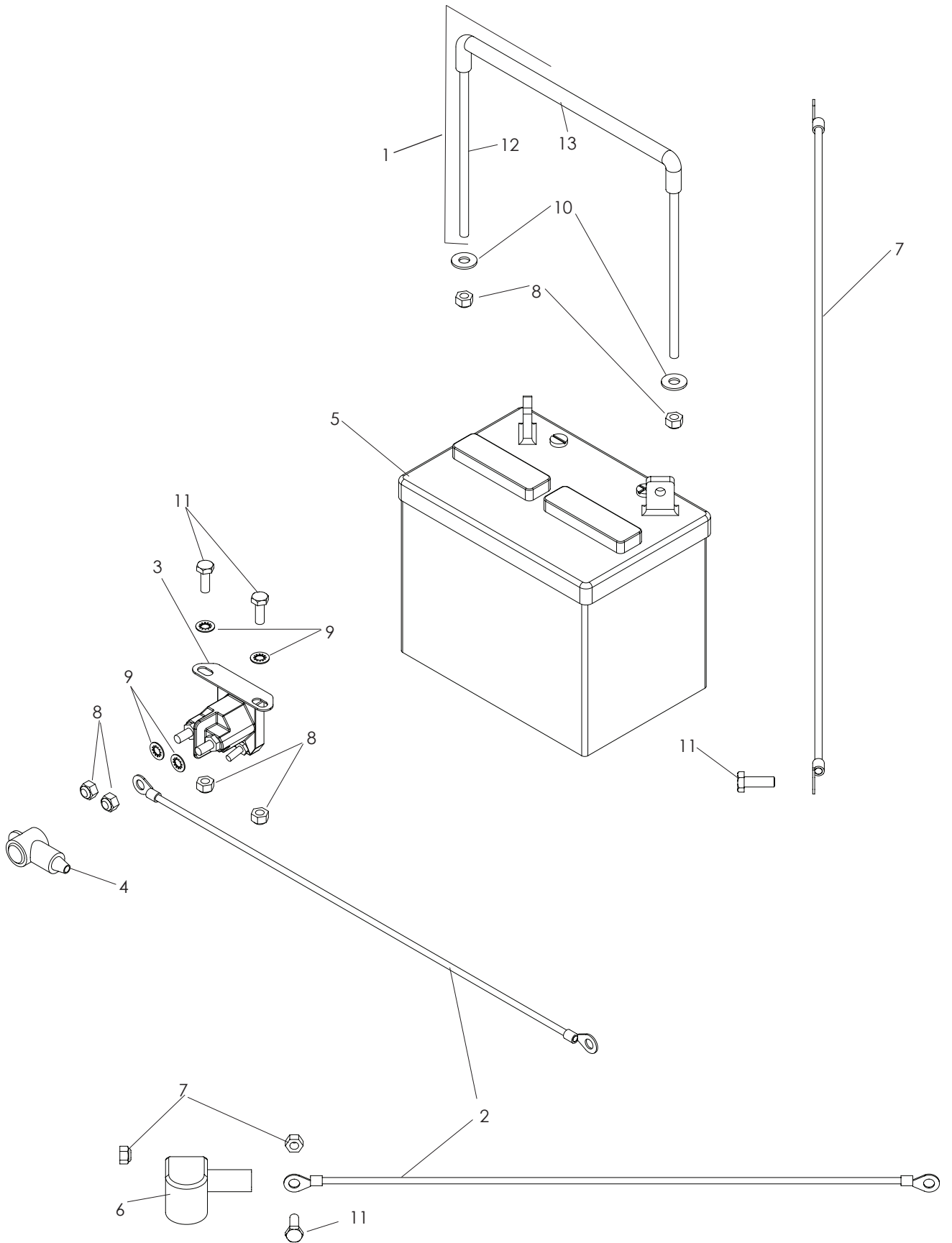
CASTERS



CASTERS

ITEM	PART NO.	QTY.	DESCRIPTION	ITEM	PART NO.	QTY.	DESCRIPTION
1..	539 1155662 HHB $\frac{5}{16}$ -18 x 1 NYLOC	10..	539 1198982 CASTER WHEEL COMPLETE
2..	539 1156752 WASHER, 1.025 ID x 1.64 OD	11..	539 1199042 TUBE
3..	539 1157472 CASTER SPRING	12..	539 1013312 NUT $\frac{1}{2}$ -13 NYLOC
4..	539 1157492 CASTER PLUG	13..	539 1217492 BOLT $\frac{1}{2}$ -13 x 6 $\frac{1}{2}$ CARRIAGE
5..	539 1157502 BEARING	14..	539 1212191 RIM
6..	522 0257012 CASTER	15..	539 1212201 TIRE
7..	539 1179012 CASTER BUSHING	16..	539 1156381 GREASE ZERK
8..	539 1025352 BEARING DUST CAP	17..	539 9122341 VALVE STEM
9..	539 1197594 BEARING - ECC LOCK				

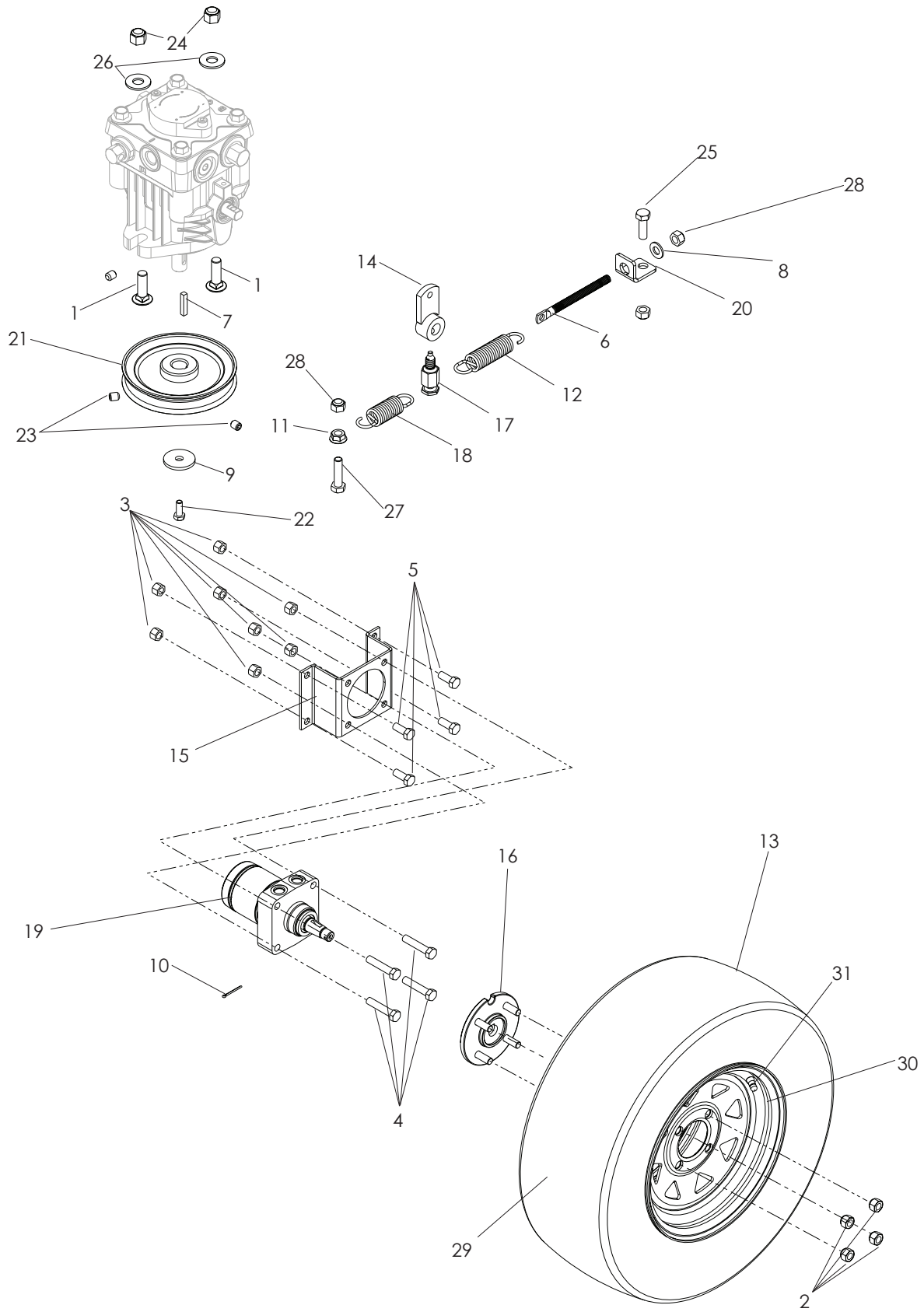
ELECTRICAL



ELECTRICAL

ITEM	PART NO.	QTY.	DESCRIPTION	ITEM	PART NO.	QTY.	DESCRIPTION
1..	539 1152921TIE DOWN W/INSULATOR	9..	539 9900534LOCKWASHER ¼ INT
2..	539 1153642SOLENOID/STARTER CBL	10..	539 9905982WASHER ¼
3..	539 1157741SOLENOID	11..	539 9905804HHB ¼-20 x ¾
4..	539 1164001TERMINAL COVER-SM	12..	539 1152901BATTERY TIE DOWN
5..	539 1024361BATTERY 12V	13..	539 1152911INSULATOR, TIE DOWN
6..	539 1213311TERMINAL COVER		NOT SHOWN		
7..	539 1227541BATTERY CABLE		539 1179641WIRE LOOM
8..	539 9769782NUT ¼-20 HEX NYLOC				

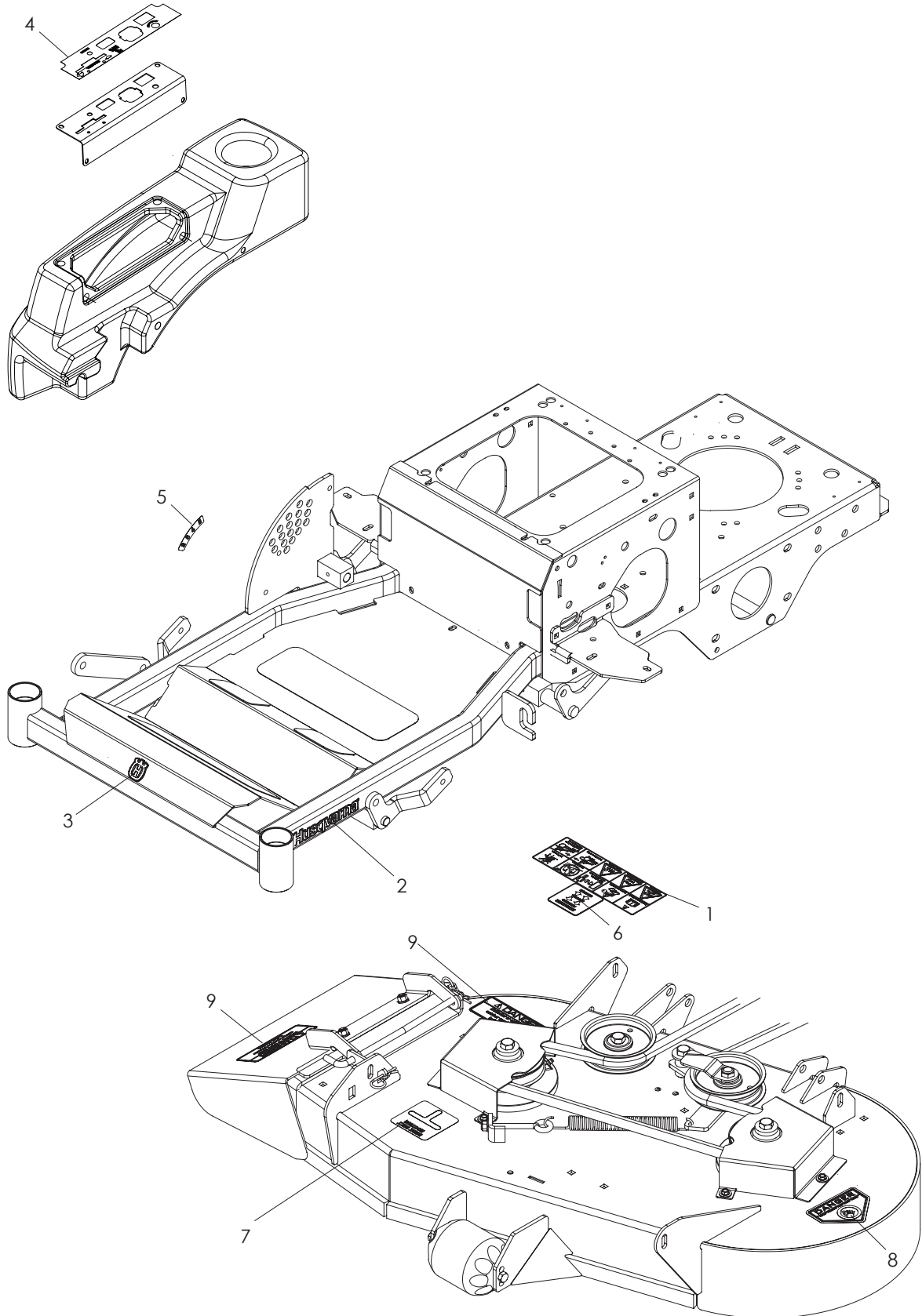
DRIVE



DRIVE

ITEM	PART NO.	QTY.	DESCRIPTION	ITEM	PART NO.	QTY.	DESCRIPTION
1..	539 100413....4	RHSB $\frac{3}{8}$ -16 x 1 $\frac{1}{4}$	17..	539 117961....2	SCREW W/HEX HEAD SET
2..	539 101173....8	NUT $\frac{1}{2}$ -20 UNF LUG	18..	539 117962....2	SPRING
3..	539 101331...16	NUT $\frac{1}{2}$ -13 NYLOC	19..	539 121770....2	MOTOR, PARKER
4..	539 108346....8	HHB $\frac{1}{2}$ -13 x 2 $\frac{1}{2}$	20..	539 121859....2	SPRING MOUNT
5..	539 108369....8	HHB $\frac{1}{2}$ -13 x 1 $\frac{1}{4}$	21..	539 121895....2	PULLEY
6..	539 115370....2	BRAKE ROD	22..	539 127945....2	BOLT M6 x 1 x 16MM
7..	539 115451....2	KEY, $\frac{3}{16}$ x 1	23..	539 976956....4	SCREW $\frac{5}{16}$ -18 x .38 SET
8..	539 115533....2	WASHER $\frac{5}{16}$ TYPE A	24..	539 976979....4	NUT $\frac{3}{8}$ -16 NYLOC
9..	539 115582....2	WASHER $\frac{5}{16}$ ID x $\frac{1}{8}$ OD	25..	539 990209....2	HHB $\frac{5}{16}$ -18 x 1
10..	539 115671....2	COTTER PIN, $\frac{3}{32}$ x 1 LG	26..	539 990517....4	WASHER $\frac{3}{8}$
11..	539 115674....2	NUT $\frac{5}{16}$ -18 HEX FLANGE	27..	539 990627....2	HHB $\frac{5}{16}$ -18 x 1 $\frac{1}{4}$
12..	539 116350....2	SPRING	28..	539 990717....6	NUT $\frac{5}{16}$ -18 NYLOC
13..	539 117783....2	TIRE COMPLETE 23 x 8.5-12	29..	539 117808....1	TIRE
14..	539 117816....2	CONTROL ARM, DRILLED	30..	539 117807....1	RIM, 12 x 7
15..	539 132808....2	MOUNT, MOTOR	31..	539 912234....1	VALVE STEM
16..	539 101109....2	WHEEL HUB				

DECALS



DECALS

ITEM	PART NO.	QTY.	DESCRIPTION	ITEM	PART NO.	QTY.	DESCRIPTION
1..	539 109908....	1	DECAL, OPERATION	7..	539 118057....	1	DECAL, BELT ROUTING
2..	532 422012....	2	DECAL, HUSQVARNA	8..	539 913010....	1	DECAL, DANGER
3..	532 422010....	1	DECAL, CROWN	9..	539 115717....	2	DECAL, DANGER
4..	521 998401....	1	DECAL, CONTROL PANEL	NOT SHOWN			
5..	539 118004....	1	DECAL, CUT HEIGHT		539 025601 ...	1	DECAL, EZ3417
6..	539 119978....	1	DECAL, LEVER				

