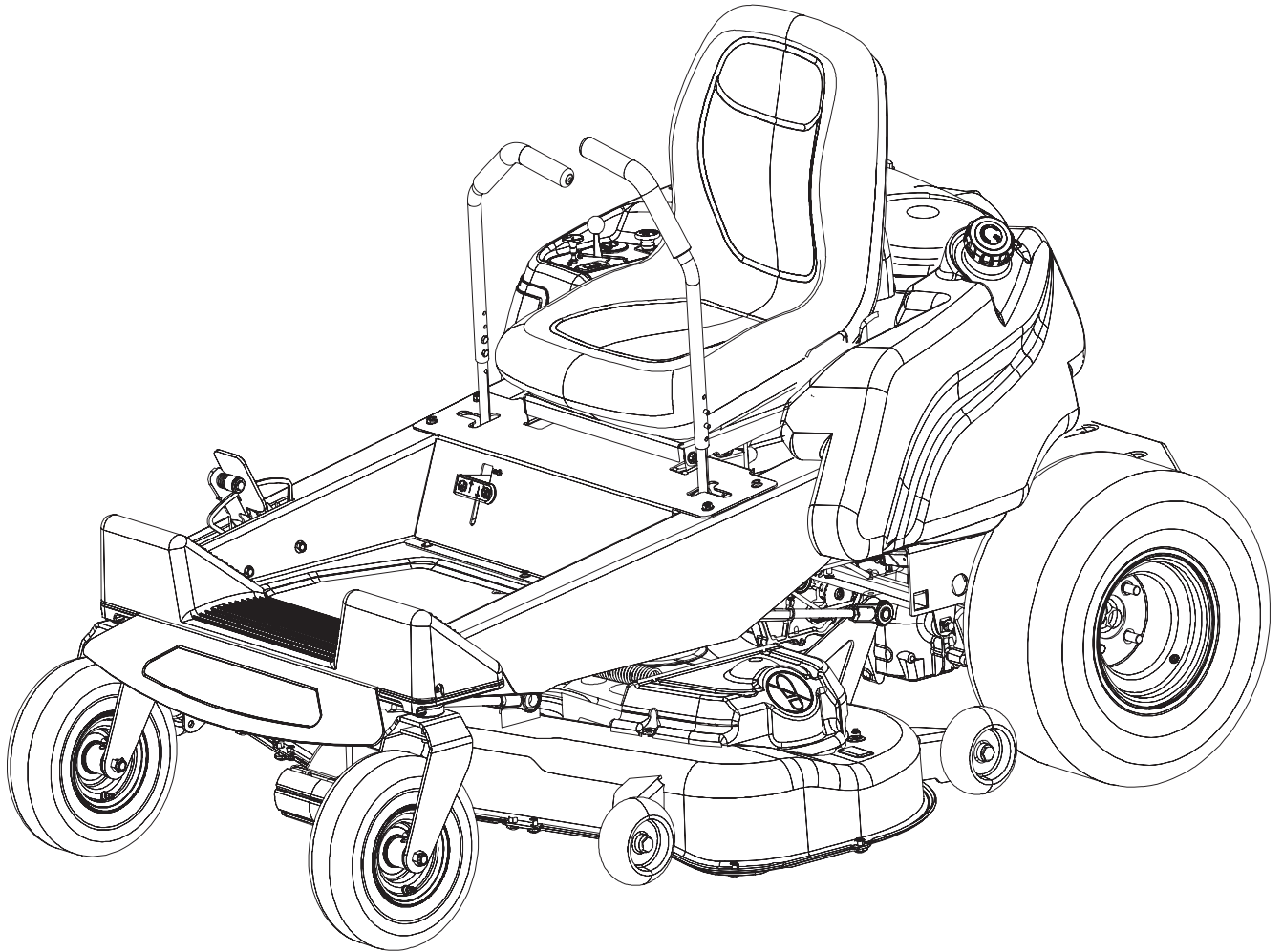


# Poulan PRO<sup>®</sup>



## Parts Manual

PRO 925 ZX / 968999516

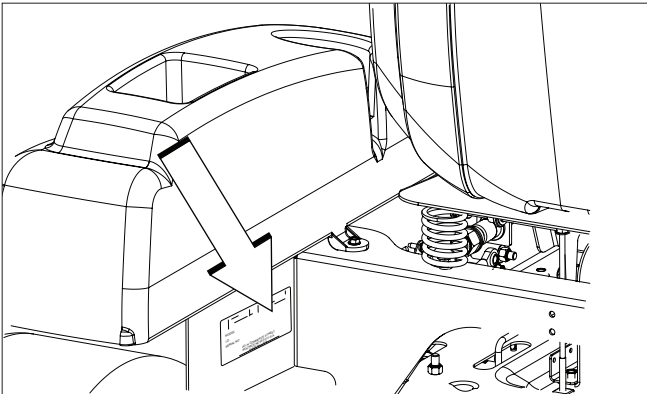
PRO 950 ZX / 968999507

Please read the operator's manual carefully and make sure you understand the instructions before using the machine.

When you need spare parts or support in service questions, warranty issues, etc., please consult the following professional:

This Parts Manual belongs to the machine with the manufacturing number:	Engine	Transmission

### Manufacturing Number



*The machine's manufacturing number can be found on the printed plate affixed to the engine compartment. Illustration at left shown with engine removed.*

Stated on the plate, from the top are:

- The machine's type designation (I.D.).
- The manufacturer's type number (Model).
- The machine's serial number (Serial no.)

*Please have the type designation and serial number available when ordering spare parts.*

The engine's manufacturing number is stamped on one of the valve covers.

The plate states:

- The engine's model.
- The engine's type.
- Code

*Please have these available when ordering spare parts.*

The wheel motors and hydrostatic pumps have a barcode decal affixed at the rear.

# CONTENTS

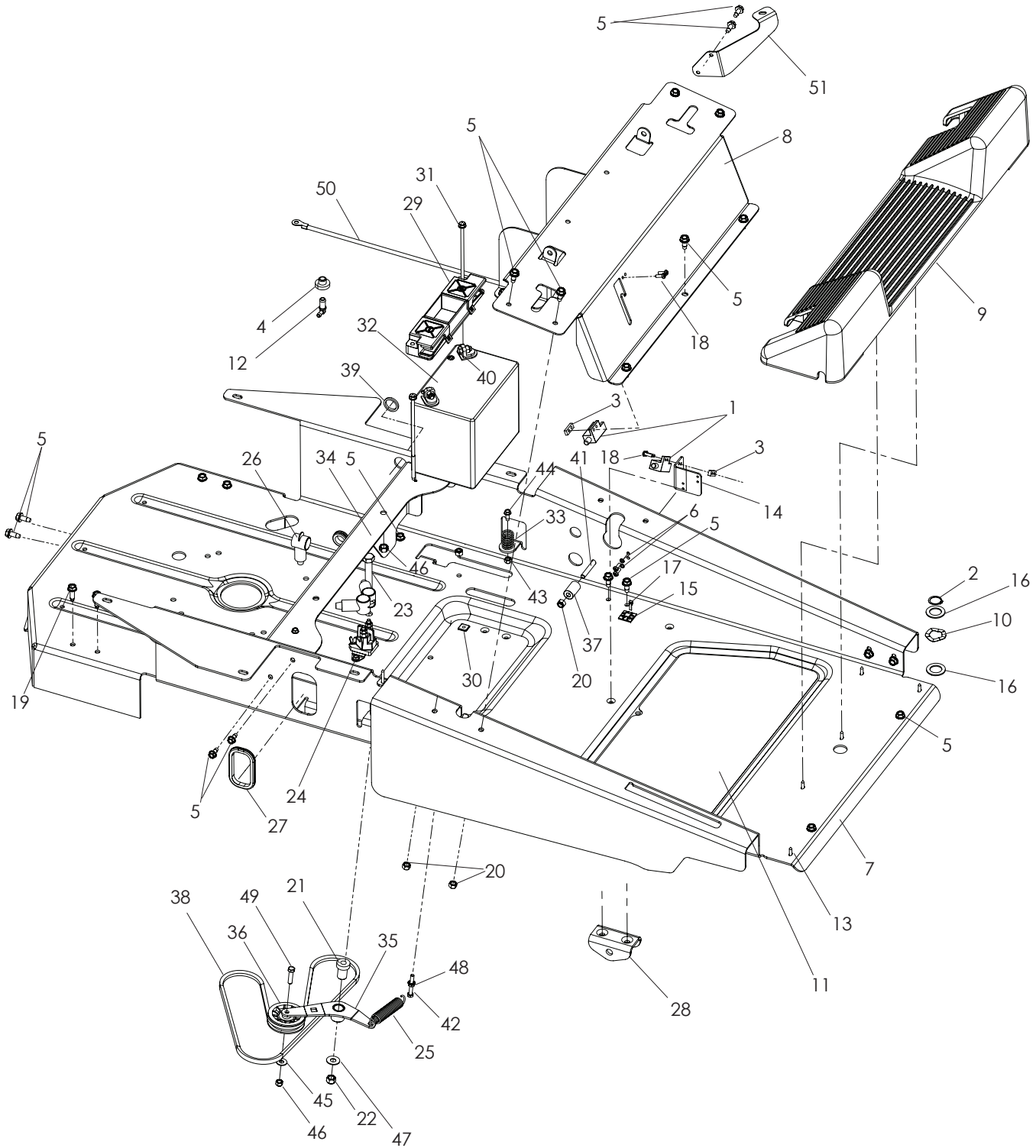
---

CHASSIS / FRAME .....	4	48" DECK .....	22
For Units With Serial Number Before 0806xxxxx ...	4	54" DECK .....	24
For Units With Serial Number After 0806xxxxx.....	6	SEAT .....	26
ENGINE.....	8	DECALS .....	28
STEERING .....	10	SCHEMATIC.....	30
IGNITION SYSTEM.....	12	For Units With Serial Number Before 0806xxxxx .	30
HYDRAULIC PUMP-MOTOR.....	14	For Units With Serial Number After 0806xxxxx.....	31
WHEELS AND TIRES .....	16		
DECK LIFT .....	18		
Model 968999516 .....	18		
Model 968999507 .....	20		

NOTE: ALL FASTENERS ARE GRADE 5 UNLESS OTHERWISE SPECIFIED.

# CHASSIS / FRAME

For Units With Serial Number Before 0806xxxxx



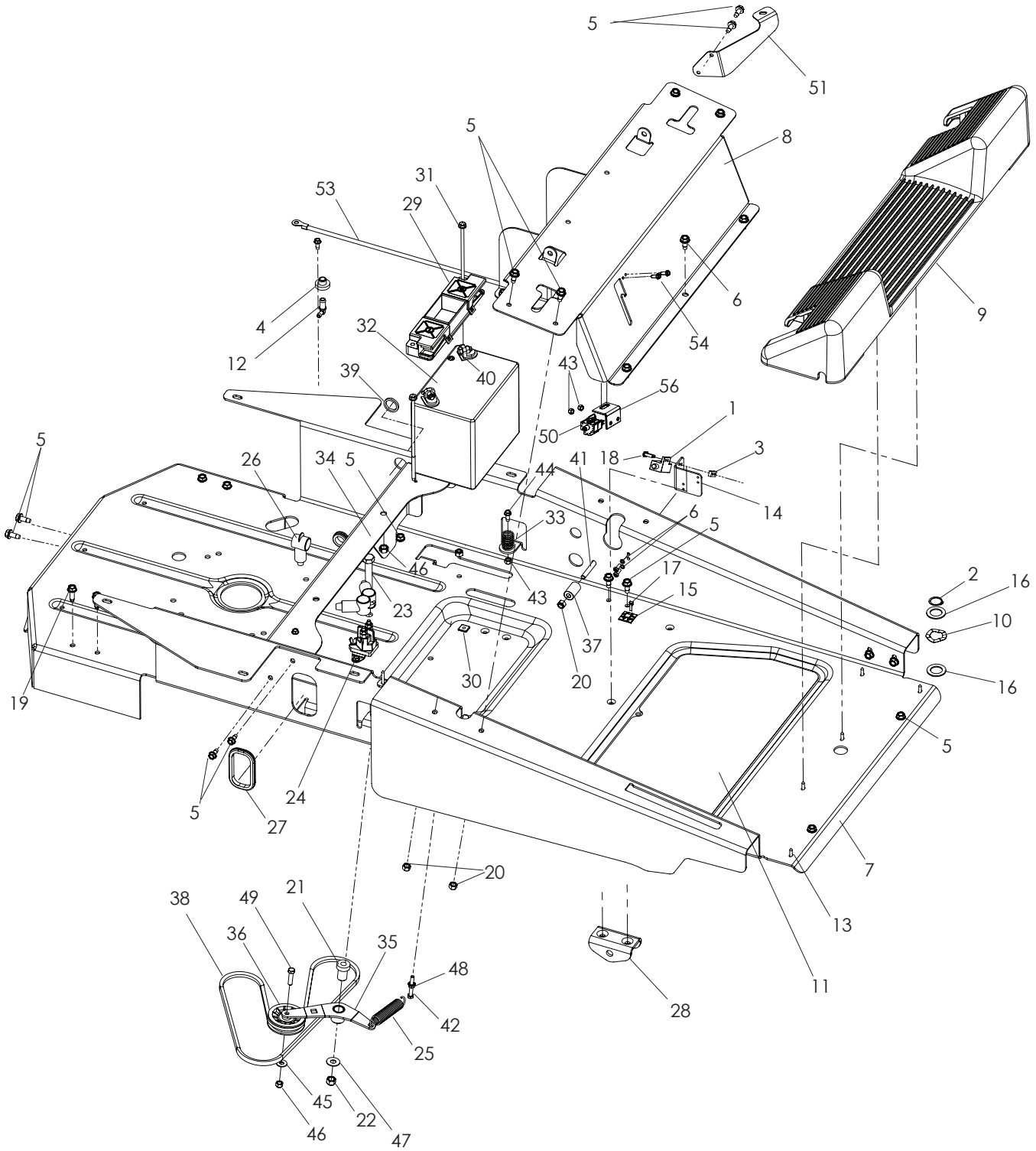
# CHASSIS / FRAME

---

ITEM	PART NO.	QTY.	DESCRIPTION	ITEM	PART NO.	QTY.	DESCRIPTION
1..	539 101080....	3	SWITCH, INTERLOCK	30..	539 107629....	2	NUT ¼, PUSH NYLON
2..	539 101151....	2	RING, RETAINING EXT, 7/8	31..	539 107632....	2	BOLT ¼ x 7½, SPEC
3..	539 102678....	3	SCREW PLATE	32..	539 102436....	1	BATTERY, DRY
4..	539 105245....	1	GROMMET, RUBBER	33..	539 110070....	2	SPRING
5..	539 107475....	33	BOLT 5/16-18 x ¾, THD FRM	34..	539 110168....	1	SEAT SUPPORT, REAR
6..	539 109552....	4	LOCKWASHER 3/16	35..	539 110219....	1	IDLER ARM
7..	539 110198....	1	FRAME W/DECALS	36..	539 110311....	1	PULLEY, IDLER
8..	539 110199....	1	SEAT SUPPORT W/DECALS	37..	539 110312....	2	MOTION LIMITER
9..	539 110170....	1	FOOT REST	38..	539 110411....	1	BELT, EZT
10..	539 110294....	2	WASHER WAVE, 7/8	39..	539 110433....	1	GROMMET, FUEL LINE
11..	539 110310....	1	SLIP, MATTING	40..	539 976934....	2	HCS 5/16-18 x ¾
12..	539 110432....	1	STEM, FUEL TANK	41..	539 976937....	2	HCS 5/16-18 x 2
13..	539 110673....	8	SCREW, 10-12 x ¾, WSH HD	42..	539 976938....	1	HCS 5/16-18 x 2¼
14..	539 110860....	2	SWITCH BRACKET	43..	539 976978....	4	NUT ¼-20, NYLOC
15..	539 110863....	2	MOUNTING BLOCK, CABLE	44..	539 990362....	4	SCREW, ¼-20 x 5/8 SLF TAP
16..	539 923787....	4	BUSHING, .875 x 1.375 x .07	45..	539 990517....	1	WASHER 3/8
17..	539 976856....	2	TIE-PLASTIC	46..	539 990546....	3	NUT 3/8-16 CINTERLOCK
18..	539 976952....	6	SCREW, #10-24 x 5/8 SPEC	47..	539 990550....	1	WASHER 7/32
19..	539 990369....	4	SCRW, 5/16-18 x 1, THD FRM	48..	539 990585....	1	NUT 5/16-18 WHIZLK
20..	539 990717..	11	NUT 5/16-18 NYLOC	49..	539 990655....	1	HCS 3/8-16 x 1½
21..	539 101231....	1	SPINDLE, IDLER	50..	539 107616....	1	BATTERY CABLE, POSITIVE
22..	539 101331....	1	NUT ½-13, NYLOC	51..	539 110171....	1	TANK SUPPORT
23..	539 101332....	1	HCS ½-13 x 2¾	NOT SHOWN			
24..	539 101714....	1	SOLENOID	539 110068....	1	BATTERY CABLE, NEGATIVE	
25..	539 101977....	1	SPRING, TRAC	539 110309....	1	WIRE HARNESS W/RELAYS	
26..	539 102759....	3	INSULATOR, BATTERY				
27..	539 107116....	1	GROMMET				
28..	539 110030....	2	BRACKET, DECK HANGER, MODEL 96888516 ONLY				
29..	539 107628....	1	BATTERY HOLD DOWN				

# CHASSIS / FRAME

For Units With Serial Number After 0806xxxxx

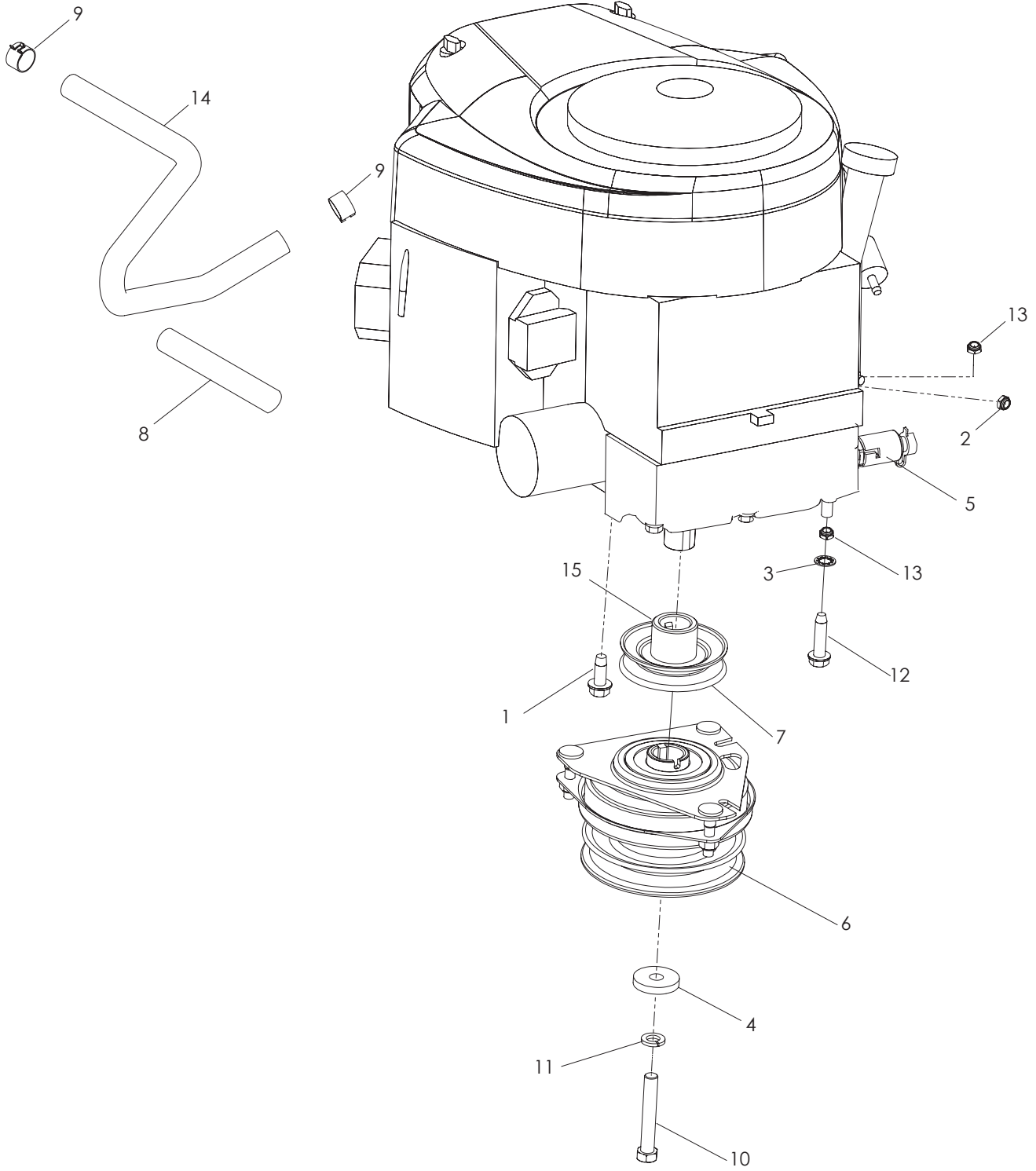


# CHASSIS / FRAME

---

ITEM	PART NO.	QTY.	DESCRIPTION	ITEM	PART NO.	QTY.	DESCRIPTION
1..	539 101080....	2	SWITCH, INTERLOCK	31..	539 107632....	2	BOLT ¼ x 7½, SPEC
2..	539 101151....	2	RING, RETAINING EXT, 7/8	32..	539 102436....	1	BATTERY, DRY
3..	539 102678....	2	SCREW PLATE	33..	539 110070....	2	SPRING
4..	539 105245....	1	GROMMET, RUBBER	34..	539 110168....	1	SEAT SUPPORT, REAR
5..	539 107475....	33	BOLT 5/16-18 x ¾, THD FRM	35..	539 110219....	1	IDLER ARM
6..	539 109552....	4	LOCKWASHER 3/16	36..	539 110311....	1	PULLEY, IDLER
7..	539 110198....	1	FRAME W/DECALS	37..	539 110312....	2	MOTION LIMITER
8..	539 133038....	1	SEAT SUPPORT W/DECALS	38..	539 110411....	1	BELT, EZT
9..	539 110170....	1	FOOT REST	39..	539 110433....	1	GROMMET, FUEL LINE
10..	539 110294....	2	WASHER WAVE, 7/8	40..	539 976934....	2	HCS 5/16-18 x ¾
11..	539 110310....	1	SLIP, MATTING	41..	539 976937....	2	HCS 5/16-18 x 2
12..	539 110432....	1	STEM, FUEL TANK	42..	539 976938....	1	HCS 5/16-18 x 2 ¼
13..	539 110673....	8	SCREW, 10-12 x ¾, WSH HD	43..	539 976978....	6	NUT ¼-20, NYLOC
14..	539 110860....	2	SWITCH BRACKET	44..	539 990362....	4	SCREW, ¼-20 x 5/8 SLF TAP
15..	539 110863....	2	MOUNTING BLOCK, CABLE	45..	539 990517....	1	WASHER 3/8
16..	539 923787....	4	BUSHING, .875 x 1.375 x .07	46..	539 990546....	3	NUT 3/8-16 CINTERLOCK
17..	539 976856....	2	TIE-PLASTIC	47..	539 990550....	1	WASHER 7/32
18..	539 976952....	4	SCREW, #10-24 x 5/8 SPEC	48..	539 990585....	1	NUT 5/16-18 WHIZLK
19..	539 990369....	4	SCRW, 5/16-18 x 1, THD FRM	49..	539 990655....	1	HCS 3/8-16 x 1½
20..	539 990717..	11	NUT 5/16-18 NYLOC	50..	539 113792....	1	SWITCH, BRAKE
21..	539 101231....	1	SPINDLE, IDLER	51..	539 110171....	1	TANK SUPPORT
22..	539 101331....	1	NUT ½-13, NYLOC	52..	539 110030....	2	BRACKET, DECK HANGER, MODEL 96888516 ONLY
23..	539 101332....	1	HCS ½-13 x 2¾	53..	539 107616....	1	BATTERY CABLE, POSITIVE
24..	539 101714....	1	SOLENOID	54..	539 990071....	2	HCS ¼ x ½
25..	539 101977....	1	SPRING-TRAC	NOT SHOWN			
26..	539 102759....	3	INSULATOR, BATTERY	539 110068....	1	BATTERY CABLE, NEGATIVE	
27..	539 107116....	1	GROMMET	539 114720....	1	WIRE HARNESS	
28..	539 114803....	1	BRACKET, SWITCH				
29..	539 107628....	1	BATTERY HOLD DOWN				
30..	539 107629....	2	NUT ¼, PUSH NYLON				

# ENGINE



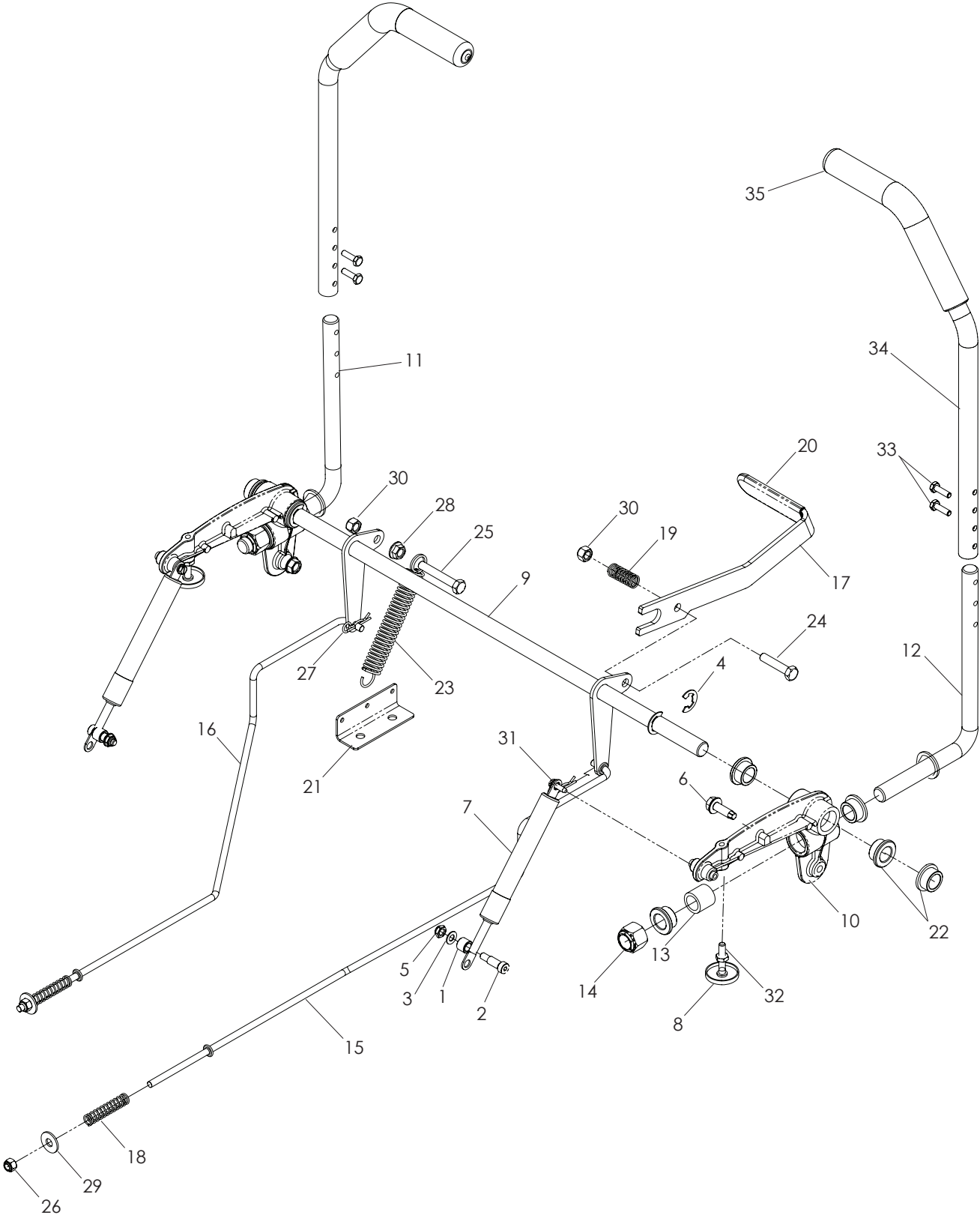


# ENGINE

---

ITEM	PART NO.	QTY.	DESCRIPTION	ITEM	PART NO.	QTY.	DESCRIPTION
1..	539 107476....	3	BOLT $\frac{3}{8}$ -16 x 1, THD FRM	12..	539 110025....	1	BOLT $\frac{3}{8}$ -16 x 1 $\frac{1}{2}$ , THRD FRM
2..	539 108120....	1	NUT $\frac{1}{4}$ -20, THIN, NYLOC	13..	539 976979....	2	NUT $\frac{3}{8}$ -16 NYLOC
3..	539 990390....	1	WASHER $\frac{3}{8}$ ITLW	14..	539 108212....	1	FUEL LINE
4..	539 110064....	1	CLUTCH WASHER	15..	539 114542....	1	SPACER, ENGINE
5..	539 110093....	1	OIL DRAIN FITTING	NOT SHOWN			
6..	539 110417....	1	CLUTCH	539 109843....	1	MUFFLER	
7..	539 114530....	1	PULLEY	539 109844....	1	MANIFOLD	
8..	539 110425....	1	FUEL LINE, 5"	539 109980....	1	MUFFLER CLAMP	
9..	539 912222....	4	CLAMP, HOSE	539 107098....	1	CLAMP	
10..	539 923388....	1	HCS $\frac{7}{16}$ -20 x 3	539 107937....	1	OIL DRAIN HOSE	
11..	539 990247....	1	WASHER $\frac{7}{16}$				

# STEERING

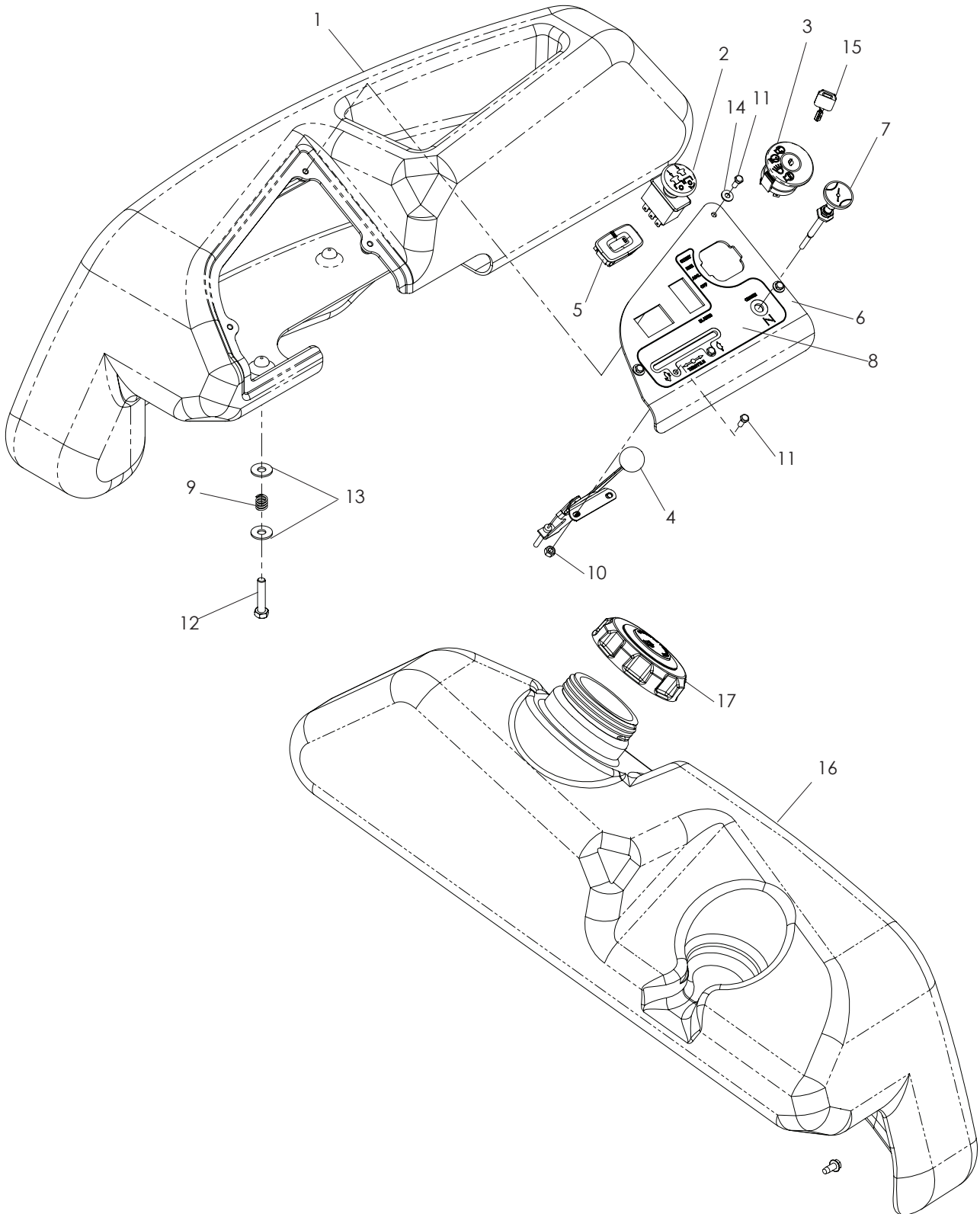


# STEERING

---

ITEM	PART NO.	QTY.	DESCRIPTION	ITEM	PART NO.	QTY.	DESCRIPTION
1..	539 102827....	2	SPACER	19..	539 110477....	1	SPRING, BRAKE LEVER
2..	539 102828....	2	BOLT $\frac{5}{16}$ -18 x $\frac{5}{8}$ SKT HD	20..	539 110478....	1	CAP, BRAKE LEVER
3..	539 103547....	2	WASHER $\frac{1}{4}$	21..	539 110675....	1	SPRING BRACKET
4..	539 105069....	2	RING-E, $\frac{5}{8}$	22..	539 113121....	2	MOTION BUSHING
5..	539 108120....	2	NUT $\frac{1}{4}$ -20, THIN, NYLOC	23..	539 916159....	1	SPRING, TRANS
6..	539 108460....	2	BOLT $\frac{5}{16}$ -18 x $1\frac{1}{4}$	24..	539 976935....	1	HCS $\frac{5}{16}$ -18 x $1\frac{1}{2}$
7..	539 108793....	2	DAMPENER	25..	539 976937....	1	HCS $\frac{5}{16}$ -18 x 2
8..	539 110021....	2	POST, RETURN	26..	539 976978....	2	NUT $\frac{1}{4}$ -20, NYLOC
9..	539 110142....	1	SHAFT, MOTION	27..	539 976988....	2	PIN HAIR, .073 x $1\frac{7}{16}$
10..	539 110145....	1	MOTION CASTING	28..	539 990585....	1	NUT $\frac{5}{16}$ -18 WHIZLK
11..	539 110233....	1	MOTION CONTROL ARM, LT	29..	539 990692....	2	WASHER $\frac{5}{16}$
12..	539 110236....	1	MOTION CONTROL ARM, RT	30..	539 990717....	2	NUT $\frac{5}{16}$ -18 NYLOC
13..	539 110430....	1	BUSHING	31..	539 991034....	2	SCRW, #10-24 x $\frac{5}{8}$ WSH HD
14..	539 110340....	1	NUT $\frac{5}{8}$ -11, NYLOC	32..	539 991112....	2	NUT $\frac{1}{4}$ -20, JAM
15..	539 110268....	1	BRAKE ROD, RT	33..	539 990643....	4	HCS $\frac{1}{4}$ -20 x $\frac{7}{8}$
16..	539 110269....	1	BRAKE ROD, LT	34..	539 110338....	2	CONTROL LEVER
17..	539 110282....	1	BRAKE LEVER	35..	539 110337....	2	GRIP, CONTROL LEVER
18..	539 110342....	2	SPRING				

# IGNITION SYSTEM

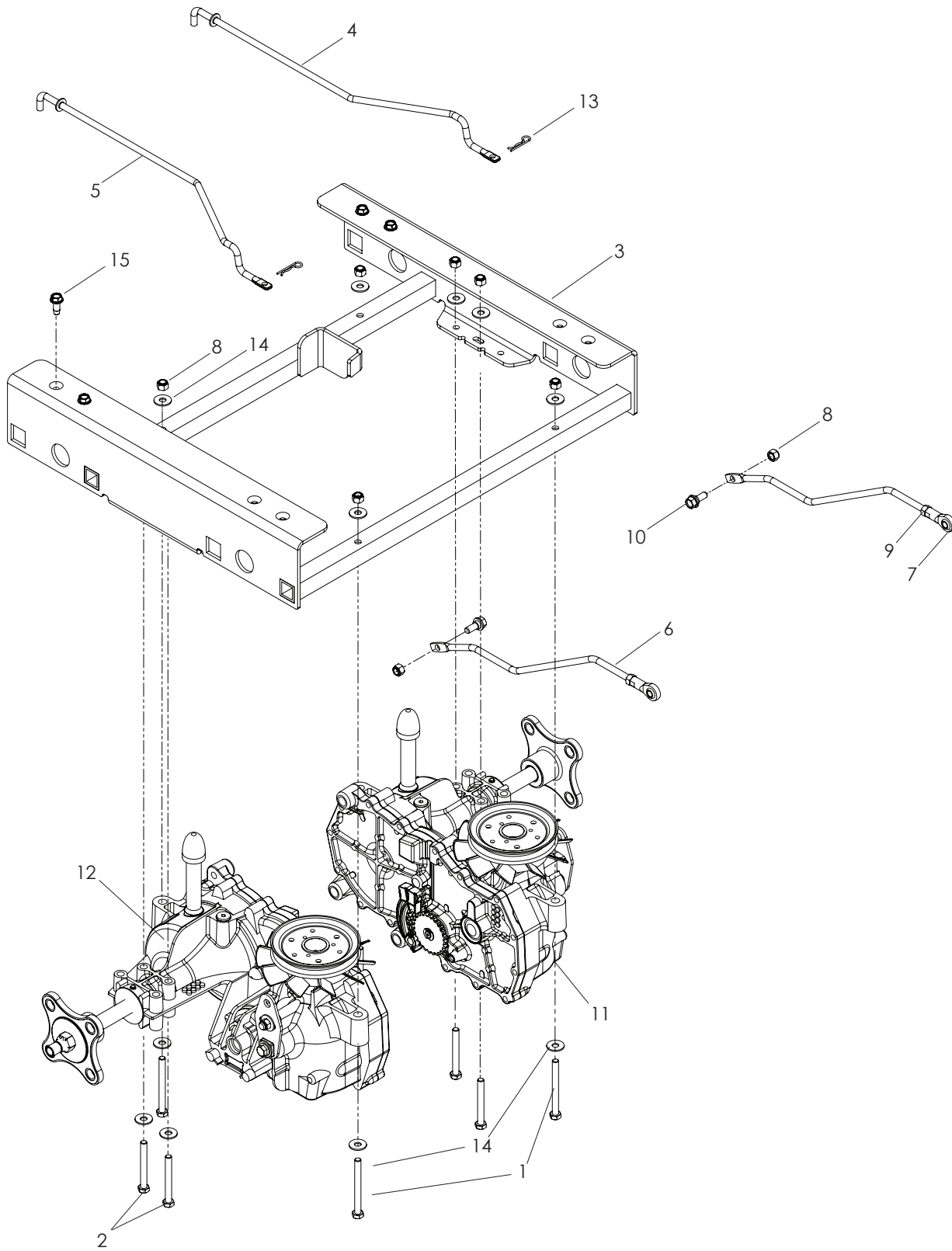


# IGNITION SYSTEM

---

ITEM	PART NO.	QTY.	DESCRIPTION	ITEM	PART NO.	QTY.	DESCRIPTION
1..	539 110113	....1	....CONSOLE	10..	539 976977	....2	....NUT 10-24, NYLOC
2..	539 110196	....1	....SWITCH, BLADE	11..	539 990411	....5	....HCS 10-24 x ½
3..	539 107541	....1	....IGNITION SWITCH	12..	539 990209	....3	....HCS 5/16-18 x 1
4..	539 112734	....1	....THROTTLE CABLE	13..	539 990692	....6	....WASHER 5/16
5..	539 110074	....1	....HOUR METER	14..	539 105408	....3	....WASHER
6..	539 110173	....1	....CONTROL PANEL	15..	539 107544	....1	....KEY
7..	539 112439	....1	....CHOKE CONTROL	16..	539 110112	....1	....FUEL TANK
8..	539 110178	....1	....DECAL, CONTROLS	17..	539 106188	....1	....FUEL CAP
9..	539 102845	....3	....SPRING, TANK MOUNT				

# HYDRAULIC PUMP-MOTOR



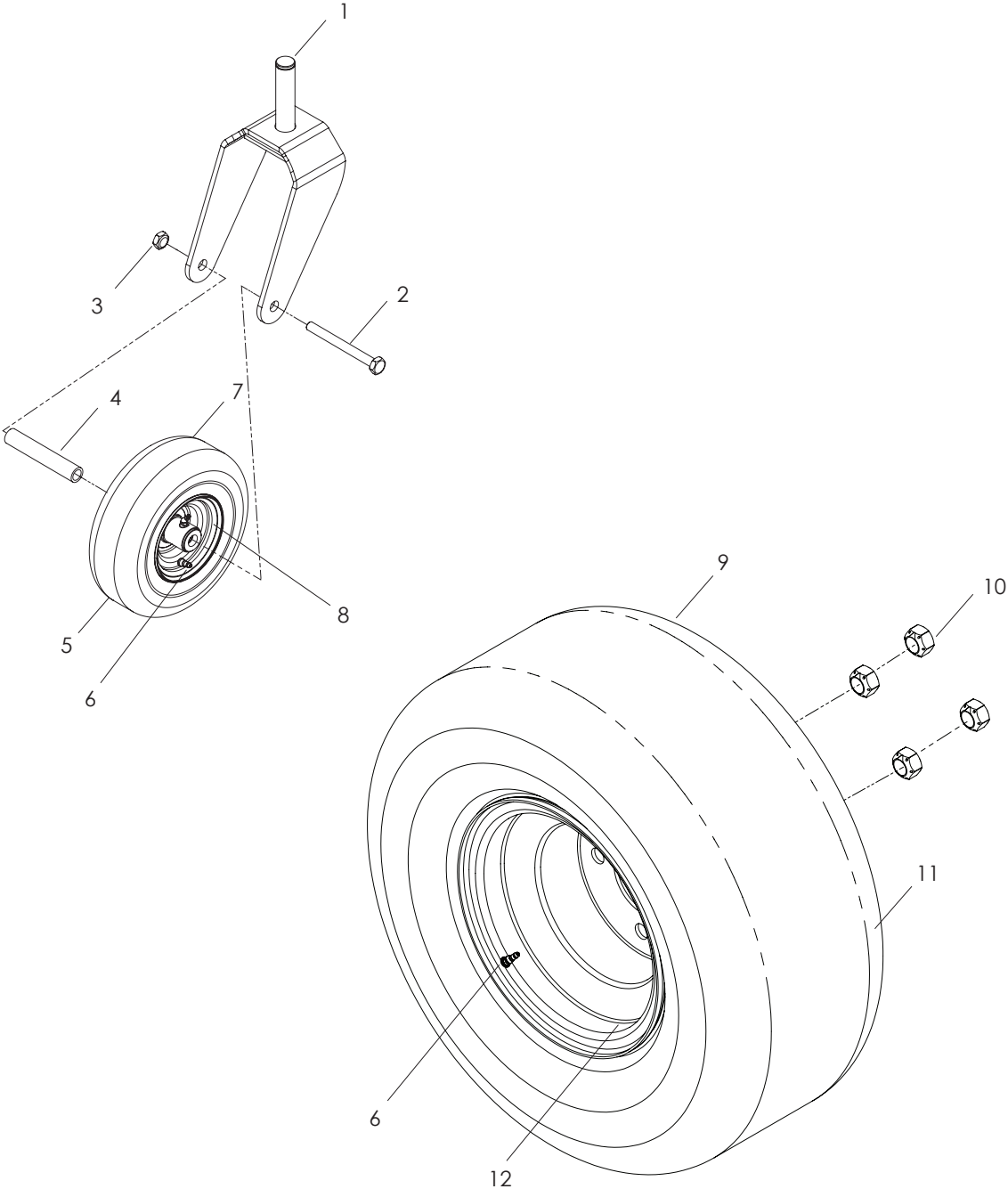
# HYDRAULIC PUMP-MOTOR

---

ITEM	PART NO.	QTY.	DESCRIPTION	ITEM	PART NO.	QTY.	DESCRIPTION
1..	539 101520....4	....	HCS $\frac{5}{16}$ -18 x $3\frac{1}{4}$	9..	539 990223....1	....	NUT $\frac{5}{16}$ -24
2..	539 101721....4	....	HCS $\frac{5}{16}$ -18 x $2\frac{3}{4}$	10..	539 110303....2	....	BOLT SHOULDER, $\frac{5}{16}$
3..	539 110016....1	....	SUB FRAME	11..	539 110486....1	....	EZT, LT
4..	539 110270....1	....	BYPASS LINKAGE, LT	12..	539 110487....1	....	EZT, RT
5..	539 110271....1	....	BYPASS LINKAGE, RT	13..	539 976988....2	....	PIN HAIR, .073 x $1\frac{7}{16}$
6..	539 110273....2	....	MOTION CNTRL ROD ASSM	14..	539 990692..16	....	WASHER $\frac{5}{16}$
7..	539 102590....1	....	END BALL, RT	15..	593 990369....4	....	SCREW, $\frac{5}{16}$ -18 x 1 THD CUT
8..	539 990717....6	....	NUT $\frac{5}{16}$ -18 NYLOC				

# WHEELS AND TIRES

---





# WHEELS AND TIRES

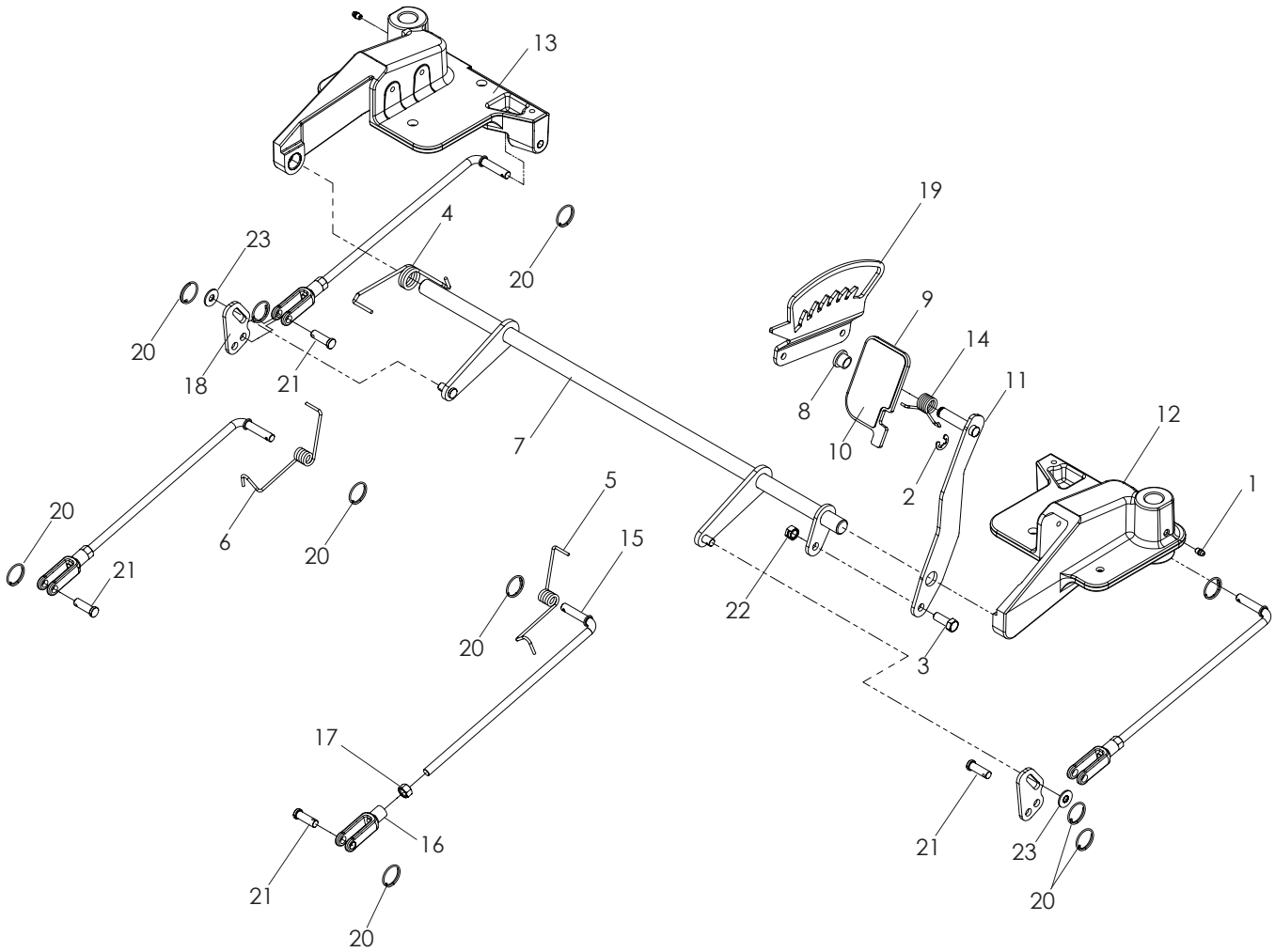
---

ITEM	PART NO.	QTY.	DESCRIPTION
1..	539 110175....2	....	CASTER
2..	539 101907....2	....	HCS ½-13 x 5½
3..	539 101331....2	....	NUT ½-13, NYLOC
4..	539 105543....2	....	SPACER
5..	539 110182....2	....	CASTER WHEEL ASSM
6..	539 912234....4	....	VALVE STEM

ITEM	PART NO.	QTY.	DESCRIPTION
7..	539 106995....2	....	TIRE 11 x 3.5-5
8..	539 110183....2	....	RIM, CASTER
9..	539 130821....2	....	RR WHEEL ASSM 18 x 8.5-8
10..	539 101173....8	....	LUG NUT
11..	539 130822....2	....	TIRE, 18 x 8.5 TURF RIDER
12..	539 110181....2	....	RIM, REAR WHEEL

# DECK LIFT

Model 968999516



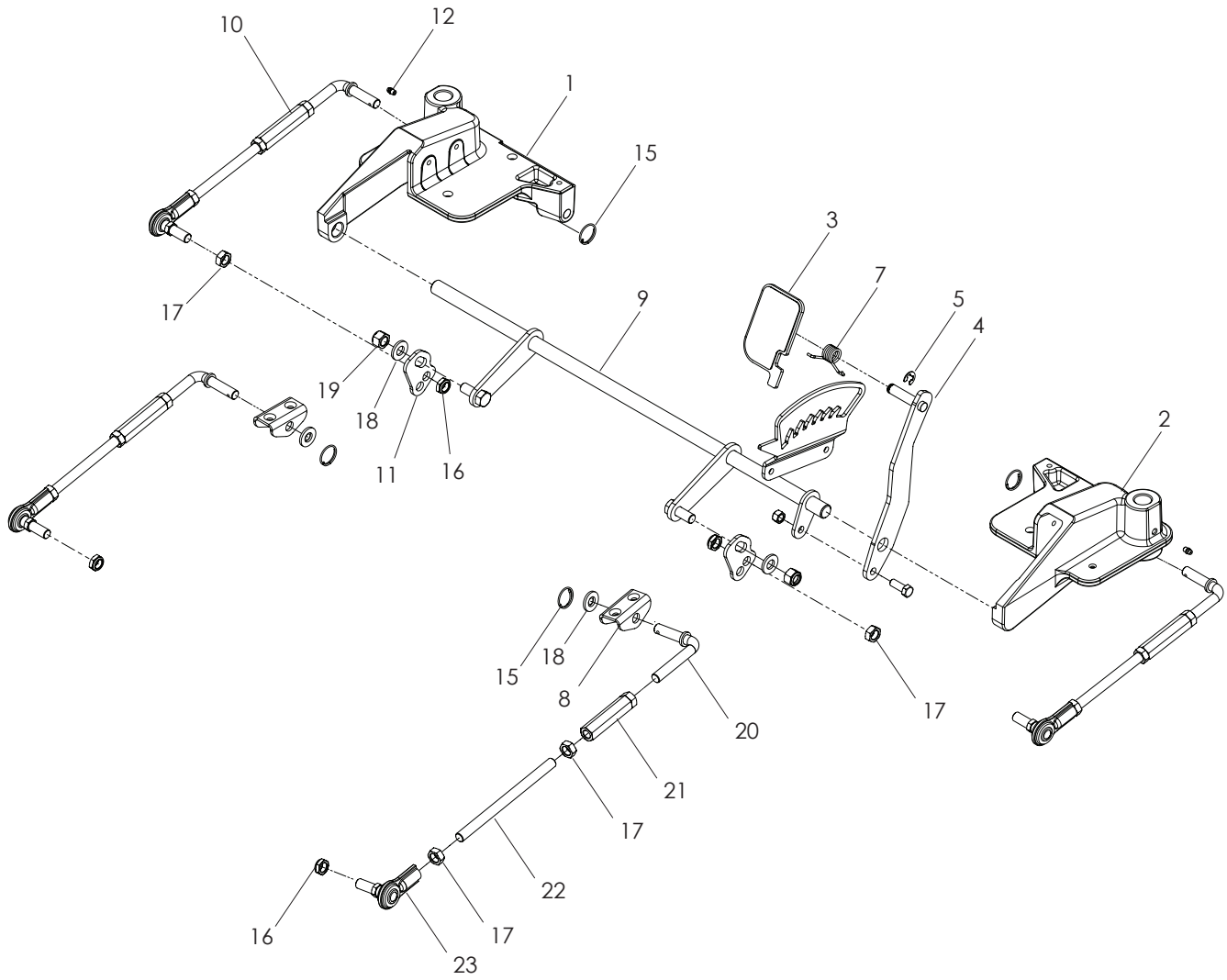
# DECK LIFT

---

ITEM	PART NO.	QTY.	DESCRIPTION	ITEM	PART NO.	QTY.	DESCRIPTION
1..	539 101474....	2	ZERK	13..	539 110288....	1	CASTER CASTING, LT
2..	539 101949....	1	RING-E, 1/2	14..	539 110295....	1	SPRING, PEDAL, LIFT
3..	539 106791....	1	HCS 3/8-16 x 1, GR8	15..	539 110306....	1	DECK LIFT ROD
4..	539 110071....	1	TORSION SPRING	16..	539 977465....	1	YOKE, 3/8-24
5..	539 110160....	1	SPRING, DECK ROD, RT	17..	539 990155....	1	NUT 3/8-24, GR2
6..	539 110161....	1	SPRING, DECK ROD, LT	18..	539 113239....	2	CONNECTOR, DECK LIFT
7..	539 110205....	1	DECK LIFT	19..	539 113931....	1	HEIGHT PLATE, DECK
8..	539 100032....	2	BUSHING, NYLON	20..	539 916459..	10	RING-RETAINING
9..	539 110292....	1	FOOT PEDAL	21..	539 977703....	4	PIN CLEVIS, 3/8 x 1 1/8
10..	539 110308....	1	FOOT PAD, NON-SLIP	22..	539 990546....	1	NUT 3/8-16 CENTERLOCK
11..	539 110266....	1	LIFT FOOT LEVER	23..	539 990692....	2	WASHER 5/16
12..	539 110287....	1	CASTER CASTING, RIGHT				

# DECK LIFT

Model 968999507

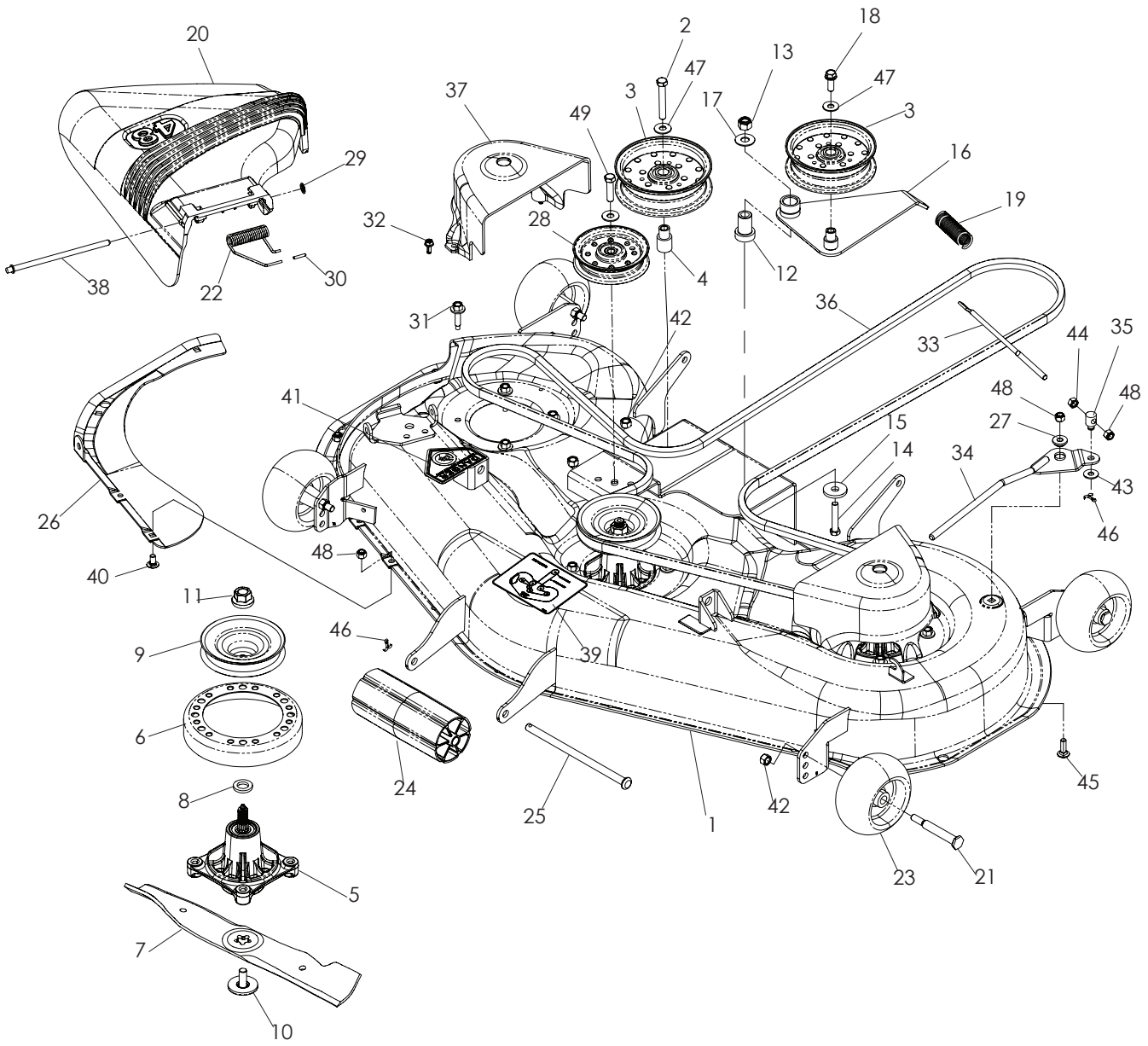


# DECK LIFT

---

ITEM	PART NO.	QTY.	DESCRIPTION	ITEM	PART NO.	QTY.	DESCRIPTION
1..	539 113586	....1	....CASTING, CASTER, LT	13..	539 106791	....1	....HCS $\frac{3}{8}$ -16 x 1 GR 8
2..	539 113587	....1	....CASTING, CASTER, RT	14..	539 976979	....1	....NUT $\frac{3}{8}$ -16 HEX NYLOC
3..	539 110262	....1	....FOOT PEDAL ASSEMBLY	15..	539 916459	....4	....RETAINER, RING
4..	539 110275	....1	....FOOTLEVER WELDED	16..	539 113549	....4	....NUT $\frac{1}{2}$ -20 HEX THIN NYLOC
5..	539 101949	....1	....E-RING $\frac{1}{2}$ "	17..	539 108736	....4	....NUT $\frac{1}{2}$ -20 HEX JAM
6..	539 113931	....1	....HEIGHT PLATE, DECK	18..	539 990250	....4	....WASHER, SAE
7..	539 110295	....1	....SPRING, PEDAL, LIFT	19..	539 101331	....2	....NUT $\frac{1}{2}$ HEX NYLOC
8..	539 113561	....2	....BRACKET, DECK HANGER	20..	539 113581	....1	....LIFT LINKAGE, LH
9..	539 113565	....1	....LIFT SHAFT WELDMENT	21..	539 111207	....1	....TURNBUCKLE, $\frac{1}{2}$ "
10..	539 113923	....4	....LINKAGE ASSEMBLY, LIFT	22..	539 113593	....1	....LINKAGE, LIFT
11..	539 113562	....2	....CONNECTOR, DECK LIFT	23..	539 113592	....1	....ROD END
12..	539 101474	....2	....ZERK				

# 48" DECK

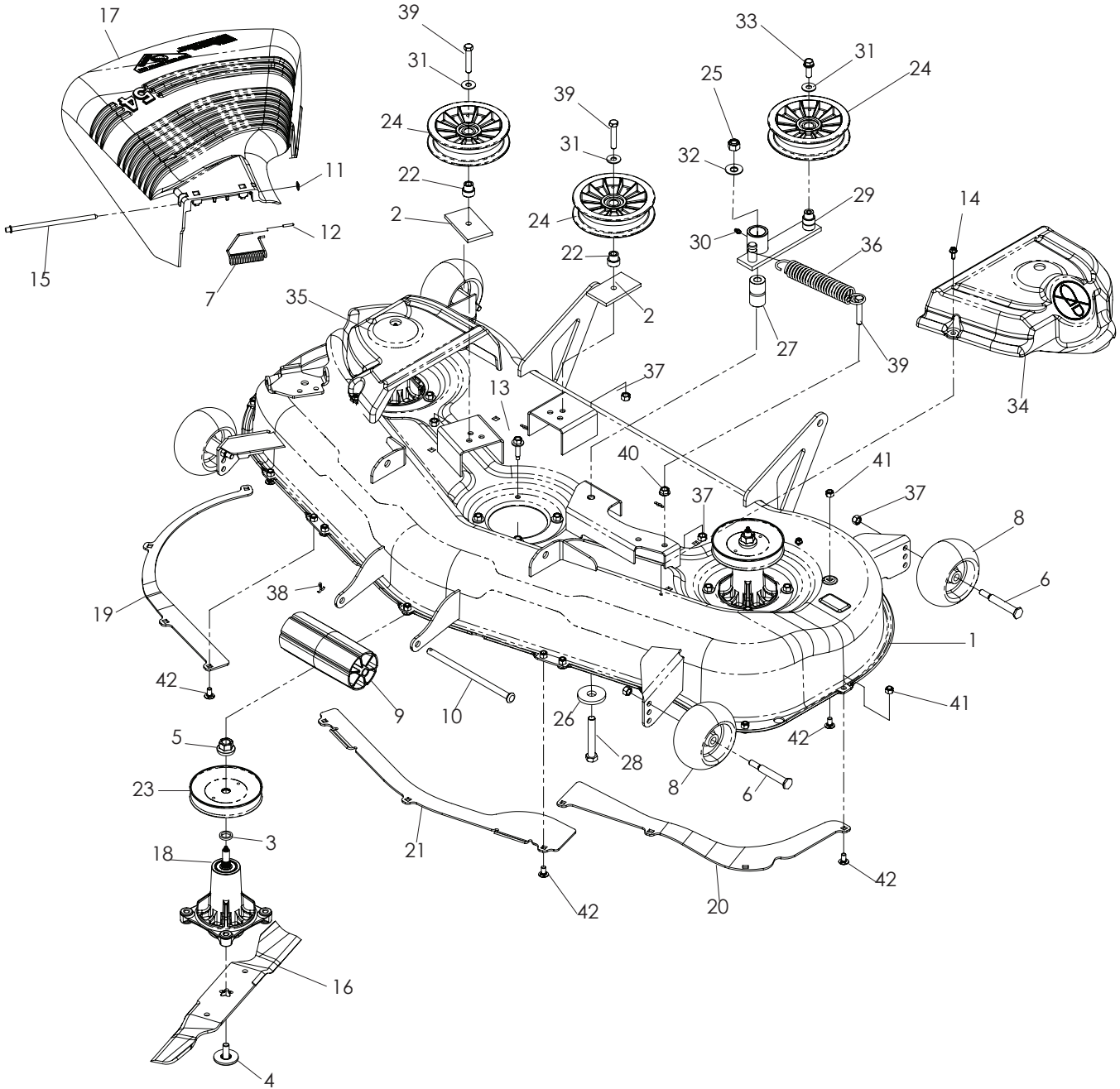


# 48" DECK

---

ITEM	PART NO.	QTY.	DESCRIPTION	ITEM	PART NO.	QTY.	DESCRIPTION
1...	539 110197	...	1... DECK W/DECALS	27...	539 107617	...	1... BUSHING PIVOT
2...	539 102612	...	1... HCS $\frac{3}{8}$ -16 x $2\frac{3}{4}$	28...	539 107620	...	1... PULLEY IDLER
3...	539 103257	...	2... PULLEY, IDLER	29...	539 107626	...	1... NUT $\frac{5}{16}$ PUSH
4...	539 103295	...	1... BUSHING, IDLER	30...	539 107627	...	1... CAP SLEEVE
5...	539 107515	...	3... CUTTER HOUSING	31...	539 107630	...	12... SCRW, $\frac{5}{16}$ -18 x $1\frac{3}{8}$ WSH HD
6...	539 107518	...	3... STRIPPER, ROUND	32...	539 107631	...	4... SCREW, $\frac{1}{4}$ -20 x $\frac{5}{8}$ TH ROLL
7...	539 107519	...	3... BLADE, HIGH LIFT	33...	539 107803	...	1... LINKAGE, TENSION RELIEF
8...	539 107520	...	3... WASHER .675	34...	539 108668	...	1... LEVER, TENSION RELIEF
9...	539 107521	...	3... PULLEY, DRIVEN	35...	539 108883	...	1... SWIVEL
10...	539 107522	...	3... BOLT $\frac{7}{16}$ BLADE, SPEC	36...	539 109243	...	1... BELT
11...	539 107590	...	3... NUT $\frac{9}{16}$ TOP CNTRLOCK	37...	539 110114	...	2... BELTSHIELD
12...	539 101231	...	1... SPINDLE, IDLER	38...	539 110462	...	1... ROD, HINGE
13...	539 101331	...	1... NUT $\frac{1}{2}$ -13, NYLOC	39...	539 113942	...	1... DECAL, BELT ROUTING
14...	539 101572	...	1... HCS $\frac{1}{2}$ -13 x 3	40...	539 990799	...	3... RHSNB $\frac{5}{16}$ -18 x $\frac{5}{8}$
15...	539 102243	...	1... WASHER .65	41...	539 913010	...	1... DECAL, WARNING
16...	539 109780	...	1... DECK IDLER ARM	42...	539 976979	...	6... NUT $\frac{3}{8}$ -16 NYLOC
17...	539 990550	...	1... WASHER $\frac{7}{32}$	43...	539 990122	...	1... WASHER $\frac{3}{8}$ SAE
18...	539 990582	...	1... HCS $\frac{3}{8}$ -16 x 1	44...	539 990196	...	1... NUT $\frac{5}{16}$ -18
19...	539 101977	...	1... SPRING, TRAC	45...	539 990208	...	1... RHSNB $\frac{5}{16}$ -18 x 1
20...	539 107604	...	1... DISCHARGE CHUTE	46...	539 990365	...	2... PIN COTTER, $\frac{1}{8}$ x $\frac{3}{4}$
21...	539 107608	...	4... BOLT $\frac{1}{2}$ x $2\frac{5}{8}$ SPEC	47...	539 990692	...	3... WASHER $\frac{5}{16}$
22...	539 107609	...	1... SPRING, TORSION	48...	539 990717	...	5... NUT $\frac{5}{16}$ -18 NYLOC
23...	539 107610	...	4... WHEEL, GAUGE	49...	539 990730	...	1... HCS $\frac{3}{8}$ -16 x $1\frac{3}{4}$
24...	532 176066	...	1... ROLLER, NOSE				NOT SHOWN
25...	539 107613	...	1... ROD, NOSE ROLLER	...	539 200684	...	2... RIVET, $\frac{3}{16}$
26...	539 107614	...	1... BAFFLE				

# 54" DECK





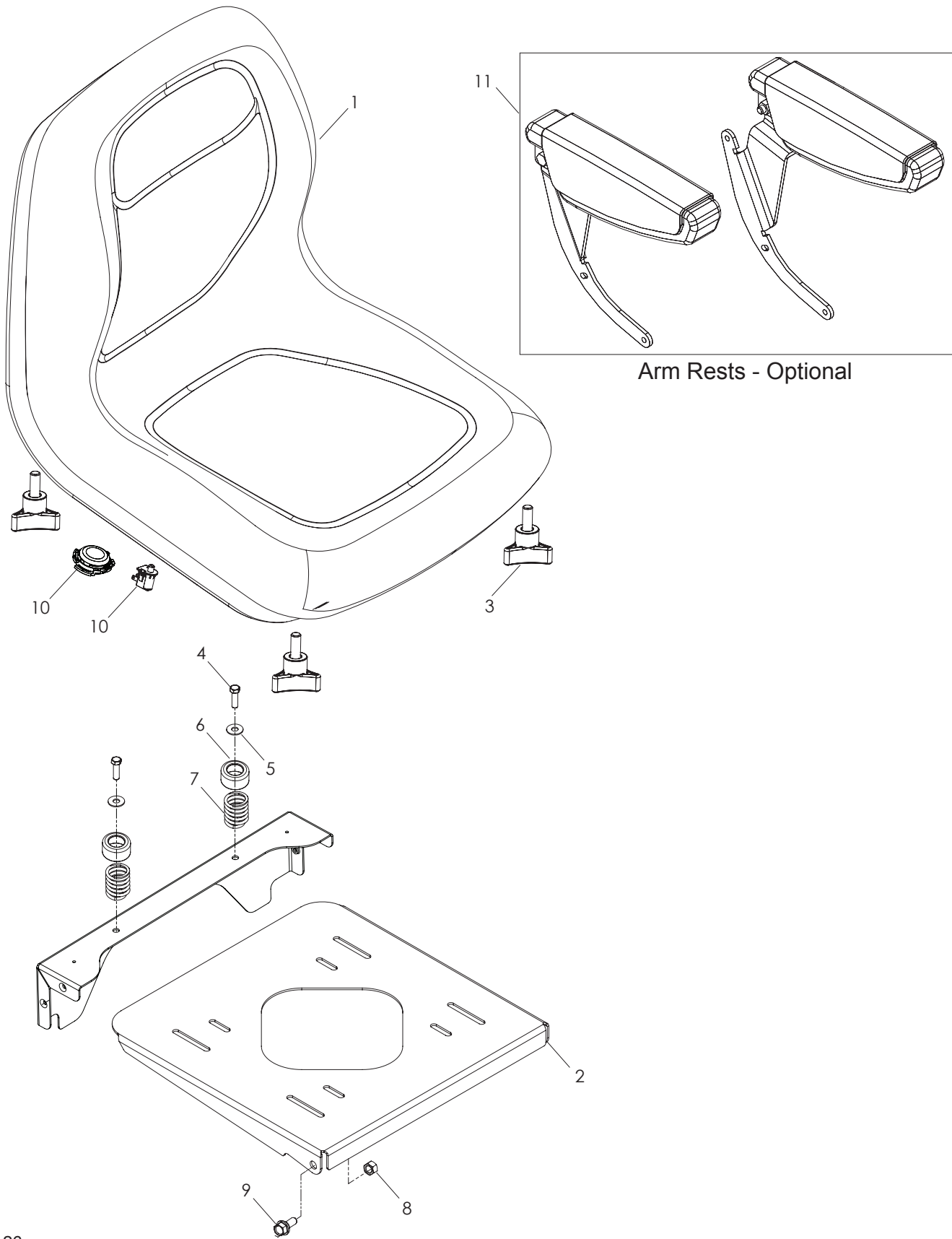
# 54" DECK

---

ITEM	PART NO.	QTY.	DESCRIPTION
1...	539 114045	1...	DECK W/DECALS
2...	539 103303	2...	PAD
3...	539 107520	3...	WASHER .675
4...	539 107522	3...	BOLT $\frac{7}{16}$ BLADE, SPEC
5...	539 107590	3...	NUT $\frac{9}{16}$ TOP CNTRLOCK
6...	539 107608	4...	BOLT $\frac{1}{2}$ x $2\frac{5}{8}$ SPEC
7...	539 107609	1...	SPRING, TORSION
8...	539 107610	4...	WHEEL, GAUGE
9...	532 176066	1...	ROLLER, NOSE
10...	539 107613	1...	ROD, NOSE ROLLER
11...	539 107626	1...	NUT $\frac{5}{16}$ PUSH
12...	539 107627	1...	CAP, SLEEVE
13...	539 107630	12...	SCREW $\frac{5}{16}$ -18 x $1\frac{3}{8}$ WSH HD
14...	539 107631	4...	SCREW $\frac{1}{4}$ -20 x $\frac{5}{8}$ TH ROLL
15...	539 110462	1...	ROD, HINGE
16...	532 187256	3...	BLADE
17...	539 112054	1...	DEFLECTOR
18...	539 112057	3...	MANDREL
19...	539 112059	1...	BAFFLE, RT
20...	539 112060	1...	BAFFLE, LT
21...	539 112062	1...	BAFFLE, CENTER
22...	539 112076	2...	IDLER BUSHING

ITEM	PART NO.	QTY.	DESCRIPTION
23...	539 112171	3...	PULLEY
24...	539 131148	3...	IDLER PULLEY
25...	539 101331	1...	NUT $\frac{1}{2}$ -13, NYLOC
26...	539 102243	1...	WASHER .65
27...	539 103427	1...	BUSHING, PIVOT
28...	539 103433	1...	HCS $\frac{1}{2}$ -13 x $3\frac{1}{4}$
29...	539 112198	1...	IDLER ARM
30...	539 976998	1...	ZERK, STRAIGHT $\frac{1}{4}$ -28
31...	539 990517	3...	WASHER $\frac{3}{8}$
32...	539 990550	1...	WASHER $\frac{9}{16}$
33...	539 990582	1...	HCS $\frac{3}{8}$ -16 x 1 WHIZLK
34...	539 113557	1...	BELT SHIELD, LT
35...	539 113558	1...	BELT SHIELD, RT
36...	539 113934	1...	SPRING
37...	539 976979	7...	NUT $\frac{3}{8}$ -16 NYLOC
38...	539 990365	1...	PIN COTTER $\frac{1}{8}$ x $3/4$
39...	539 990588	3...	HCS $\frac{3}{8}$ -16 x 2
40...	539 990613	1...	NUT $\frac{3}{8}$ -16 WHIZLK
41...	539 990717	12...	NUT $\frac{5}{16}$ -18 NYLOC
42...	539 990799	12...	RHSNB $\frac{5}{16}$ -18 x $\frac{5}{8}$
NOT SHOWN			
...	539 110832	1...	DECK BELT

# SEAT



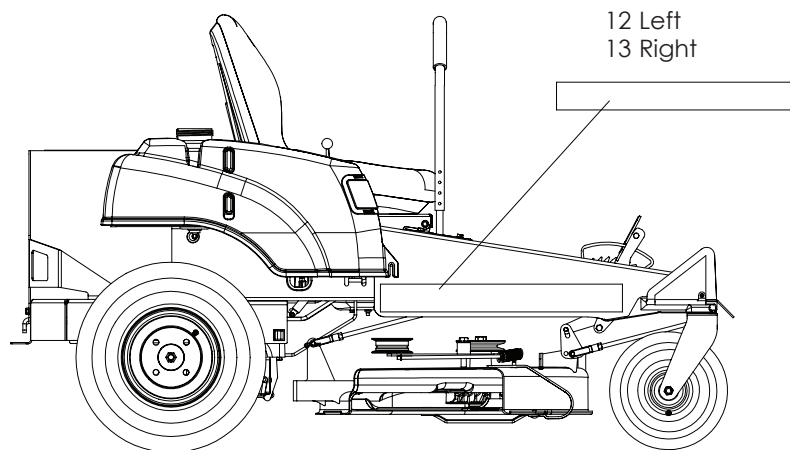
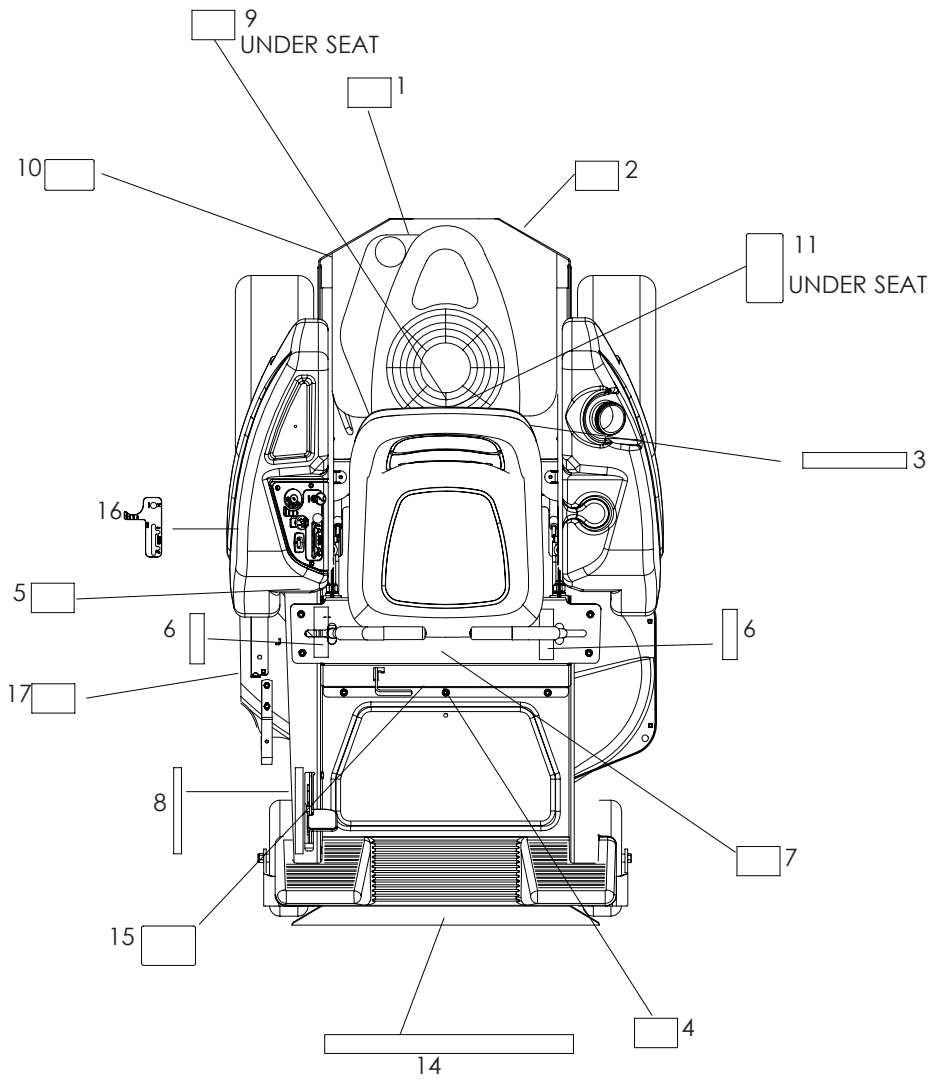
# SEAT

---

ITEM	PART NO.	QTY.	DESCRIPTION
1..	539 130827	....1 ....	SEAT
2..	539 110256	....1 ....	SEAT MOUNT
3..	539 104411	....4 ....	KNOB W/STUD
4..	539 976941	....2 ....	HCS $\frac{3}{8}$ -16 x $1\frac{1}{4}$
5..	539 990517	....2 ....	WASHER $\frac{3}{8}$
6..	539 110301	....2 ....	CAP, SPRING COVER
7..	539 110300	....2 ....	SPRING, SEAT
8..	539 990717	....2 ....	NUT $\frac{5}{16}$ -18 NYLOC

ITEM	PART NO.	QTY.	DESCRIPTION
9..	539 976941	....2 ....	HCS $\frac{3}{8}$ -16 x $1\frac{1}{4}$
10..	539 107523	....1 ....	SWITCH, SEAT For Units With Serial Number Before 0806xxxxx
	539 132140	....1 ....	SWITCH, SEAT For Units With Serial Number After 0806xxxxx
11..	539 110469	....1 ....	KIT, ARMREST

# DECALS



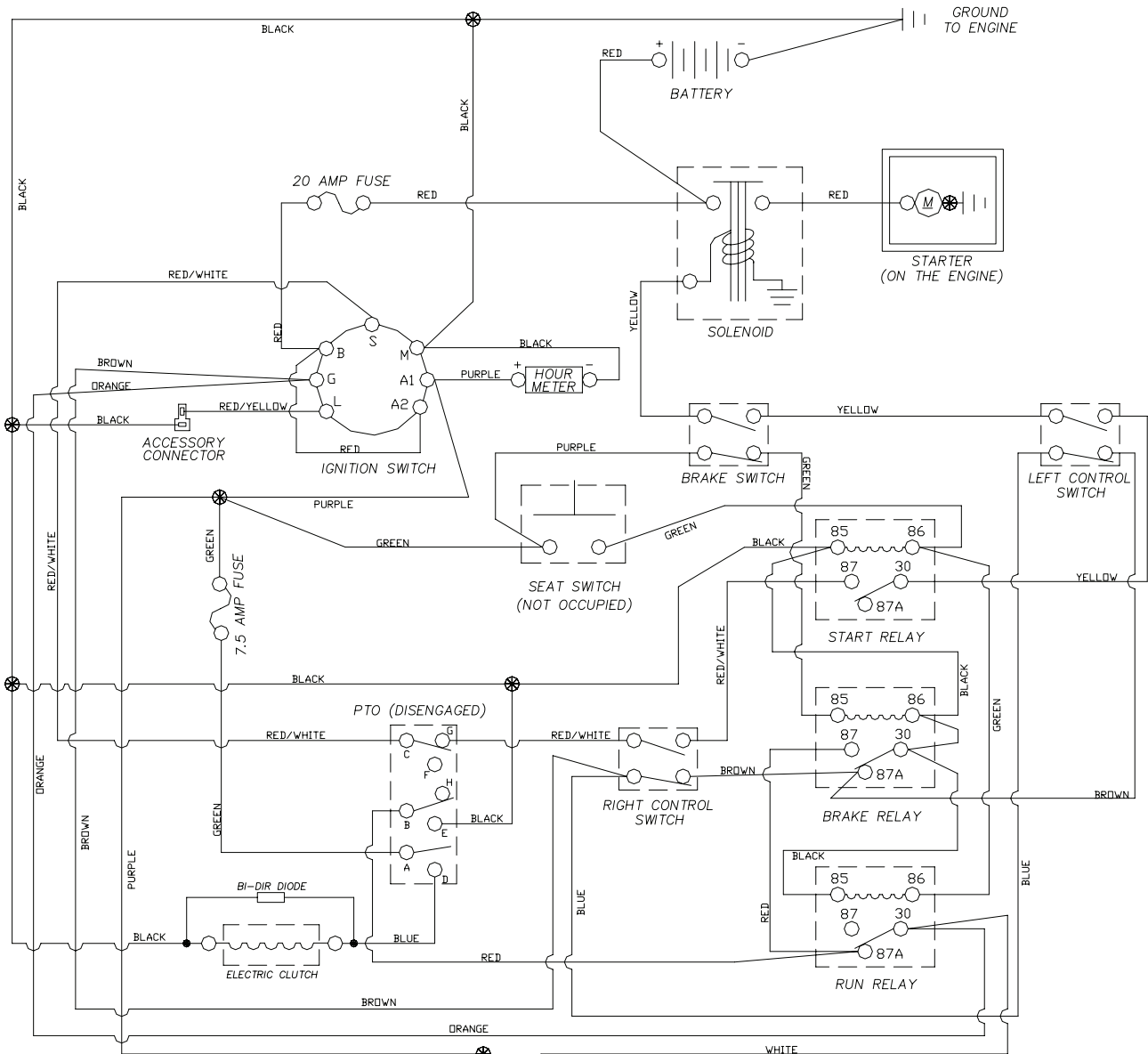
# DECALS

---

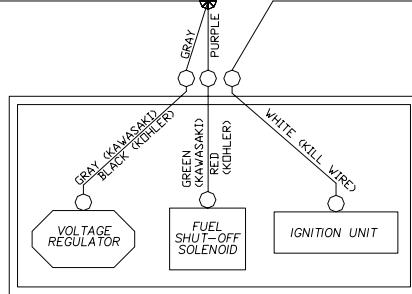
ITEM	PART NO.	QTY.	DESCRIPTION	ITEM	PART NO.	QTY.	DESCRIPTION
1...	539 101881	...	1... DECAL, PROP 65	11...	539 109897	...	1... DECAL, SERVICE
2...	539 105744	...	1... DECAL, DANGER, BELT	12...	539 110223	...	1... DECAL, POULAN PRO, LT
3...	539 105745	...	1... DECAL, BATTERY WARNING	13...	539 110224	...	1... DECAL, POULAN PRO, RT
4...	539 108179	...	1... DECAL, START	14...	539 110225	...	1... DECAL, POULAN, NOSE
5...	539 108386	...	1... DECAL, EXITING MOWER	15...	539 113213	...	1... DECAL, WARNING
6...	539 109898	...	2... DECAL, MOTION CONTROL	16...	539 110178	...	1... DECAL, CONTROLS
7...	539 109908	...	1... DECAL, SAFETY WARNING	17...	539 913010	...	2... DECAL, WARNING
8...	539 113930	...	1... DECAL, CUTTING HEIGHT				
9...	539 110522	...	1... DECAL, CST RESPONSE				
10...	539 108385	...	1... DECAL, DO NOT TOW				

# SCHEMATIC

For Units With Serial Number Before 0806xxxxx



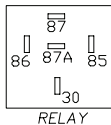
PTO SWITCH	
POSITION	CIRCUIT
OFF	C + G, B + H
ON	C + F, B + E, A + D



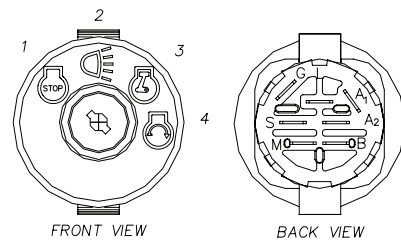
ENGINE  
(REFER TO ENGINE MANUAL FOR MORE DETAIL)

NON-REMOVABLE CONNECTIONS

REMOVABLE CONNECTIONS



RELAY



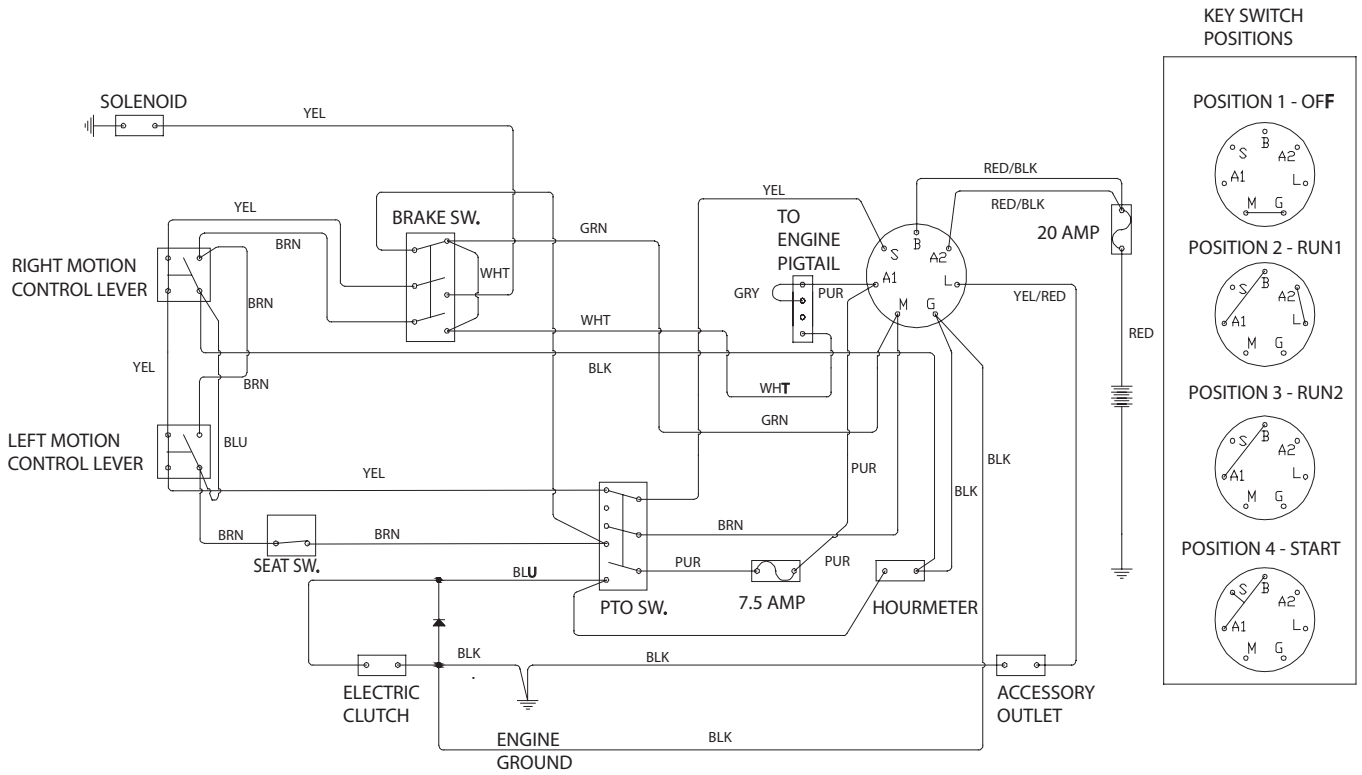
IGNITION SWITCH

POSITION	FUNCTION	CONTACT 1	CONTACT 2
1	OFF	M+G+A <sub>1</sub>	NONE
2	ON+ASS.	B+A <sub>1</sub>	L+A <sub>2</sub>
3	ON	B+A <sub>1</sub>	NONE
4	START	B+S+A <sub>1</sub>	NONE

# SCHEMATIC

For Units With Serial Number After 0806xxxxx

- NOTE:
1. SEAT UNOCCUPIED
  2. BRAKE SWITCH IN OFF POSITION
  3. MOTION CONTROL LEVERS OUT
  4. PTO IN OFF POSITION













**Poulan PRO<sup>®</sup>**