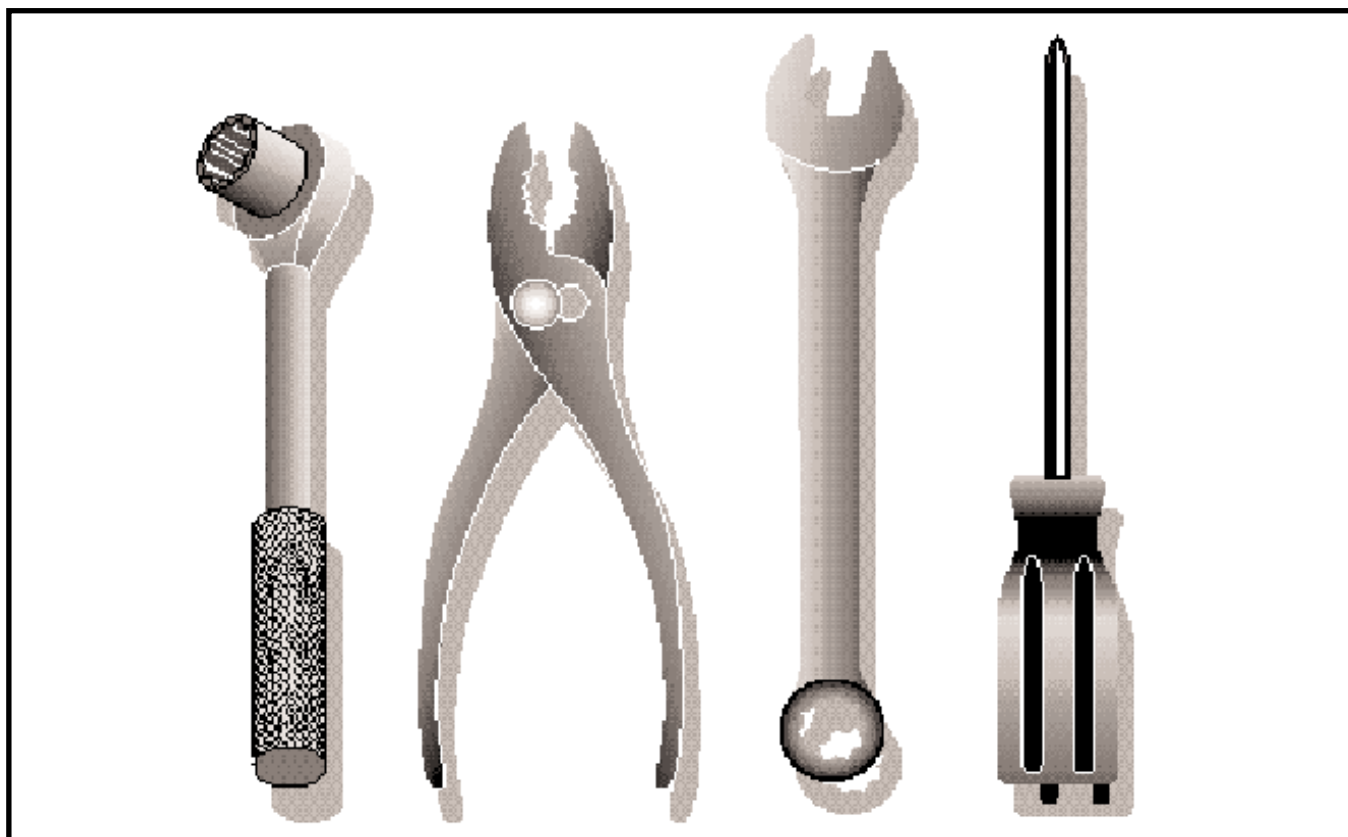
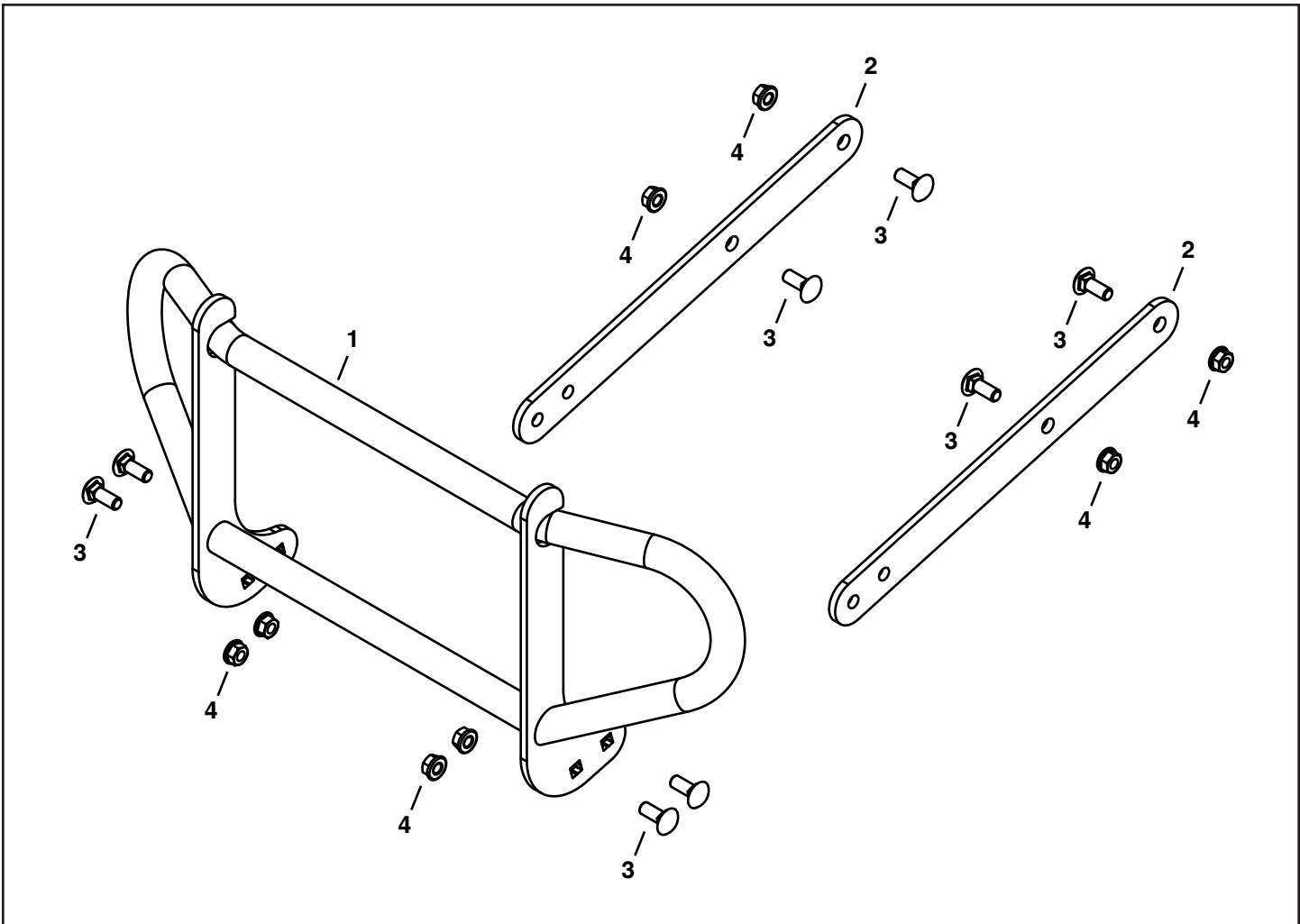


Brush Guard / Bumper (2008 & newer)

(505 56 88-01)





| REF | PART NO. | QTY | DESCRIPTION |
|-----|----------|-----|----------------------------|
| 1 | 66266 | 1 | Brush Guard |
| 2 | 26427 | 2 | Mounting Bracket |
| 3 | 43350 | 8 | Carriage Bolt, 3/8-16 x 1" |
| 4 | 44072 | 8 | Whizlock Nut, 3/8-16 |
| | 40879 | 1 | Owners Manual |



Please do not return this product to the Store

For Missing Parts Or Questions on How to Assemble:

1. Call Agri-Fab at 1-800-448-9282 Option # 1
Monday through Friday, 7 am to 5 pm CST
2. Fax Agri-Fab at 217-728-2032 or email info@agri-fab.com

Missing part shipments are normally shipped from the Agri-Fab factory within 24 hours zip code 61951. 1 to 5 days delivery for UPS.

For Replacement and/or Repair Parts:

1. Call Agri-Fab at 1-800-448-9282 Option # 1
Monday through Friday, 7 am to 5 pm CST
2. Visit Agri-Fab's website at <http://www.agri-fab.com> and view illustrated parts breakdowns and parts listing and purchase parts via our <http://www.speedepart.com> site online.