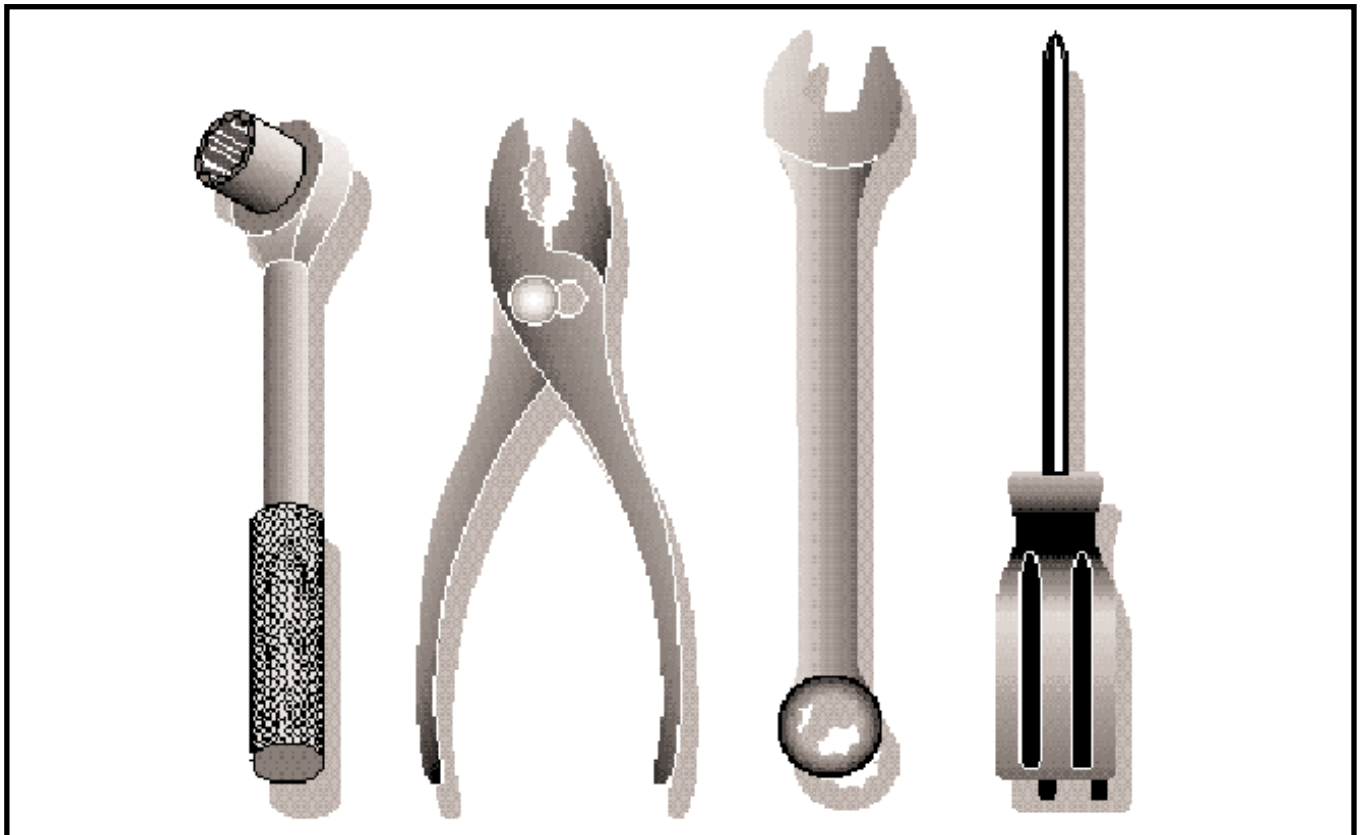
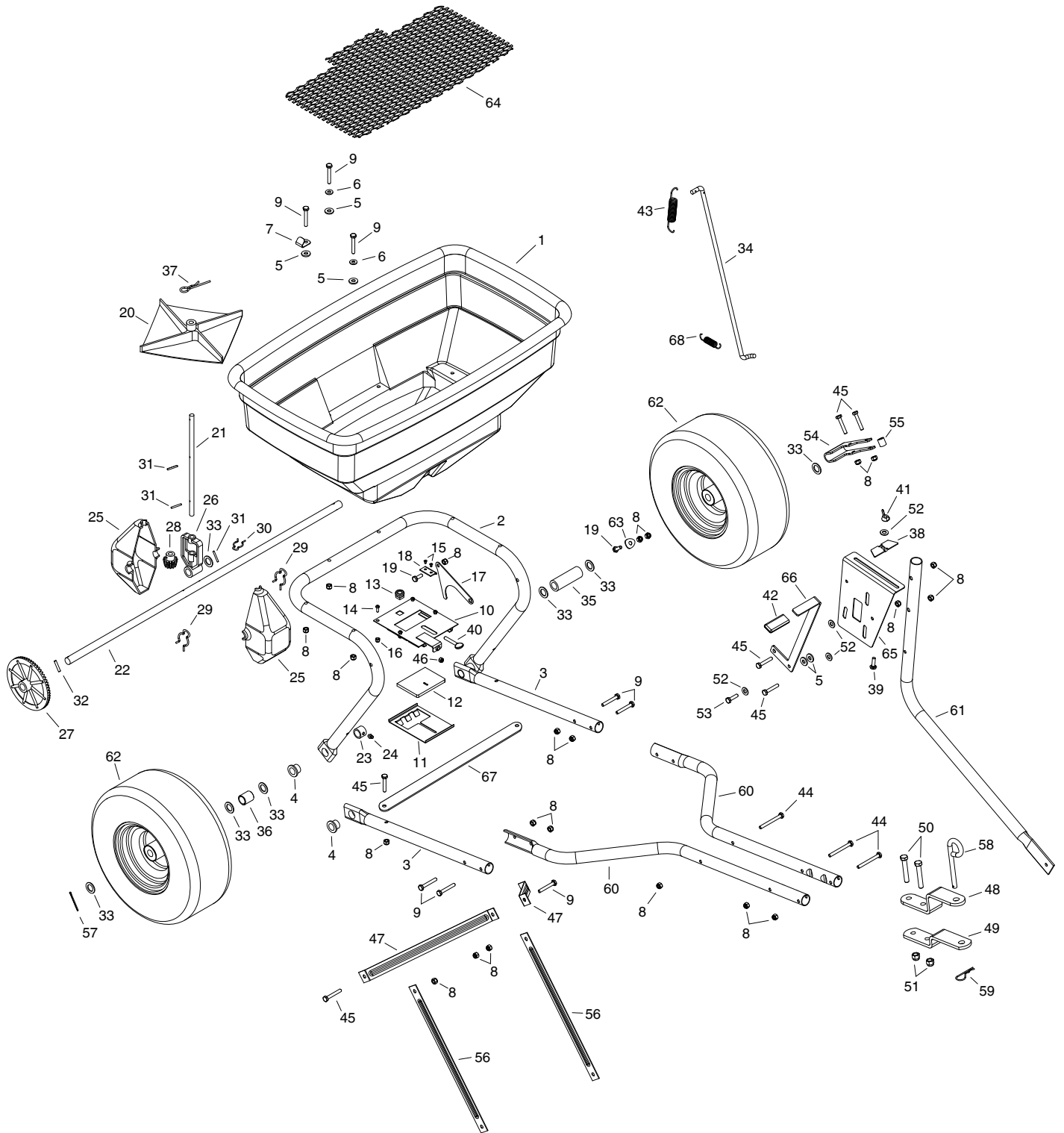


## Broadcast Spreader

### 125 LB Commerical Grade Tow Behind (04 0414 / 45 0415)



# REPAIR PARTS FOR BROADCAST SPREADER MODELS 45-0414, 45-0415



# REPAIR PARTS FOR BROADCAST SPREADER

## MODELS 45-0414, 45-0415

REF.	PART NO.	QTY	DESCRIPTION	REF.	PART NO.	QTY	DESCRIPTION
1	44466	1	Hopper, Spreader (125 lb.)	35	23668	1	Spacer, .64 x 1 x 2.94
2	48842	1	Tube, Frame (45-0414)	36	48857	1	Spacer, .64 x .84 x 1
	48842SS	1	Tube, Frame (45-0415)	37	48934	1	Hairpin, Agitator
3	25755	2	Handle, Lower (45-0414)	38	25763	1	Adjustable Stop
	25755SS	2	Handle Lower (45-0415)	39	49903	1	Carriage Bolt, 1/4-20 x 3/4" *
4	741-0249	4	Bearing, Flanged	40	49931	1	Thumb Screw, 1/4-20 x 1-1/4" *
5	1543-69	8	Washer, Nylon	41	47141	1	Wing Nut, 1/4-20
6	49890	4	Washer, 1/4" *	42	43848	1	Control Arm Grip
7	25672	2	Clip	43	49901	1	Spring
8	49891	27	Nylock Nut, 1/4-20 *	44	49908	3	Hex Bolt, 1/4-20 x 2-1/2" *
9	49892	11	Hex Bolt, 1/4-20 x 1-3/4" *	45	49909	8	Hex Bolt, 1/4-20 x 1-1/2" *
10	65457	1	Closure Guide	46	40520	1	Nylon Nut
11	25757	1	Plate, Pattern	47	23525	2	Hitch Brace (bent)
12	23533	1	Plate, Closure	48	23014	1	Hitch Bracket
13	44285	1	Bushing, Hopper Bottom	49	23687	1	Hitch Bracket
14	49894	4	Slot Truss Bolt, 10-32 x 1/2" *	50	40305	2	Hex Bolt, 3/8-16 x 2-1/4" *
15	43882	2	Pop Rivet, 3/16 *	51	40306	2	Nylock Nut, 3/8-16 *
16	49895	4	Nylock Nut, 10-32 *	52	40308	4	Washer, .3437 x .6875 *
17	25758	1	Link, Flow Control	53	40310	1	Hex Bolt, 1/4-20 x 1" *
18	25917	1	Slide Gate Angle Bracket	54	26026	1	Engagement Bracket
19	40199	2	Hex Bolt, 1/4-20 x 3/4" *	55	23658	1	Spacer, .39 x .56 x .62
20	04367	1	Spreader Impeller	56	26023	2	Hitch Brace (straight)
21	49896	1	Shaft, Impeller	57	49911	1	Cotter Pin, 9/64 x 1-1/2" *
22	26027	1	Axle	58	23353	1	Hitch Pin, 3/8 x 3"
23	49910	2	Spacer, Axle Tube	59	43343	1	Hair Cotter Pin, 3/32 x 2-5/16"
24	49798	2	Fitting, Grease 1/4"	60	40291	2	Drawbar Tube (45-0414)
25	47212	2	Housing, Large Gear		40291SS	2	Drawbar Tube (45-0415)
26	47204	1	Yoke, Large	61	40292	1	Control Tube (45-0414)
27	47209	1	Gear, Large		40292SS	1	Control Tube (45-0415)
28	47205	1	Gear, Small	62	40355	2	Wheel
29	49897	2	Clip, Hairpin 7/8	63	44695	1	Bowed Washer
30	49898	1	Clip, Hairpin 5/8	64	47441	1	Spreader Screen
31	46055	3	Pin, Spring 1/8 x 1"	65	24915	1	Flow Control Bracket
32	43659	1	Pin, Spring 3/16 x 1"	66	26004	1	Control Arm
33	49899	7	Washer	67	26142	1	Cross Frame Strap
34	40304	1	Rod, Flow Control	68	40526	1	Spring
					40454	1	Owners Manual

\* Stainless Steel Fastener

**SpeedPart** *the fastest way to purchase parts* [www.speedepart.com](http://www.speedepart.com)



**Please do not return this product to the Store**

**For Missing Parts Or Questions on How to Assemble:**

1. Call Agri-Fab at 1-800-448-9282 Option # 1  
Monday through Friday, 7 am to 5 pm CST
2. Fax Agri-Fab at 217-728-2032 or email [info@agri-fab.com](mailto:info@agri-fab.com)

*Missing part shipments are normally shipped from the Agri-Fab factory within 24 hours zip code 61951. 1 to 5 days delivery for UPS.*

**For Replacement and/or Repair Parts:**

1. Call Agri-Fab at 1-800-448-9282 Option # 1  
Monday through Friday, 7 am to 5 pm CST
2. Visit Agri-Fab's website at <http://www.agri-fab.com> and view illustrated parts breakdowns and parts listing and purchase parts via our <http://www.speedepart.com> site online.