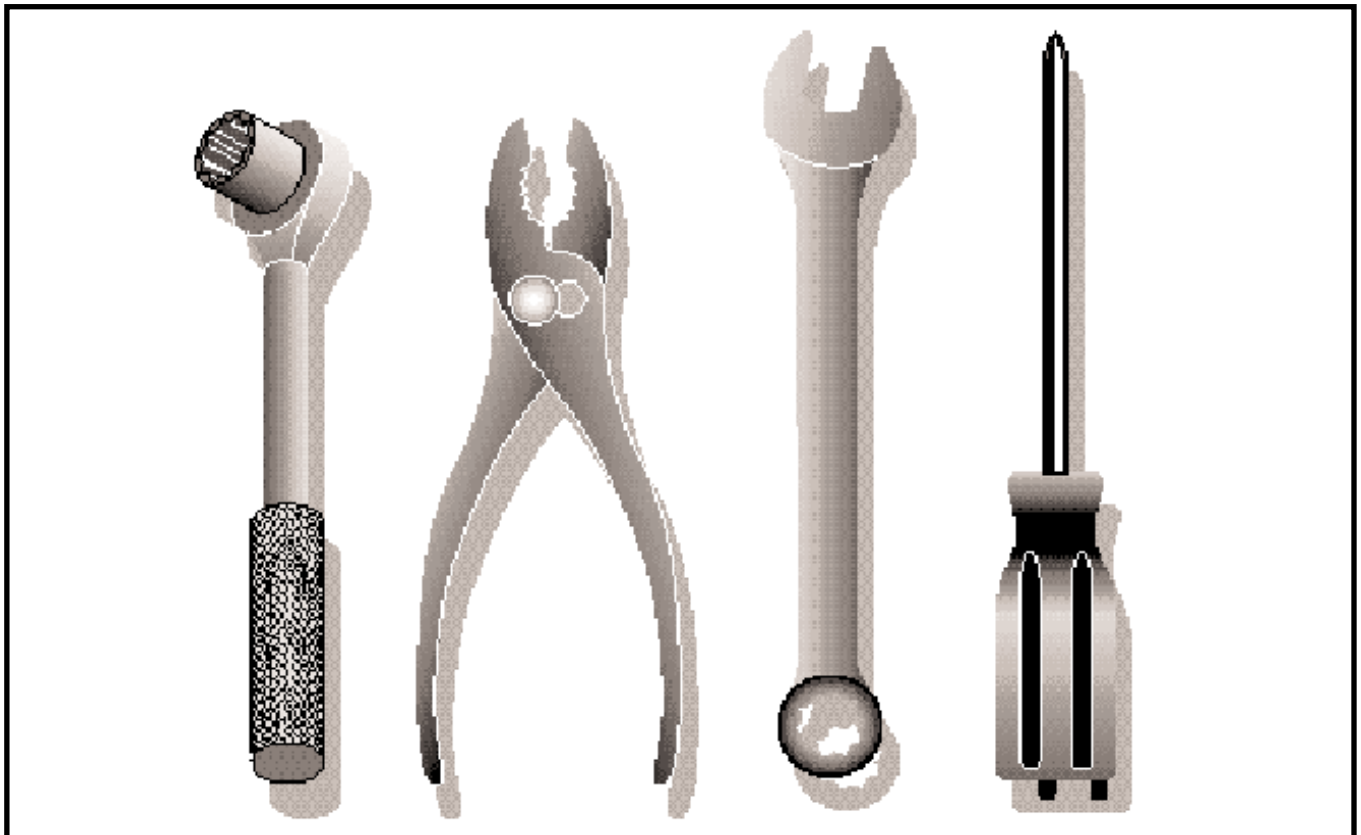
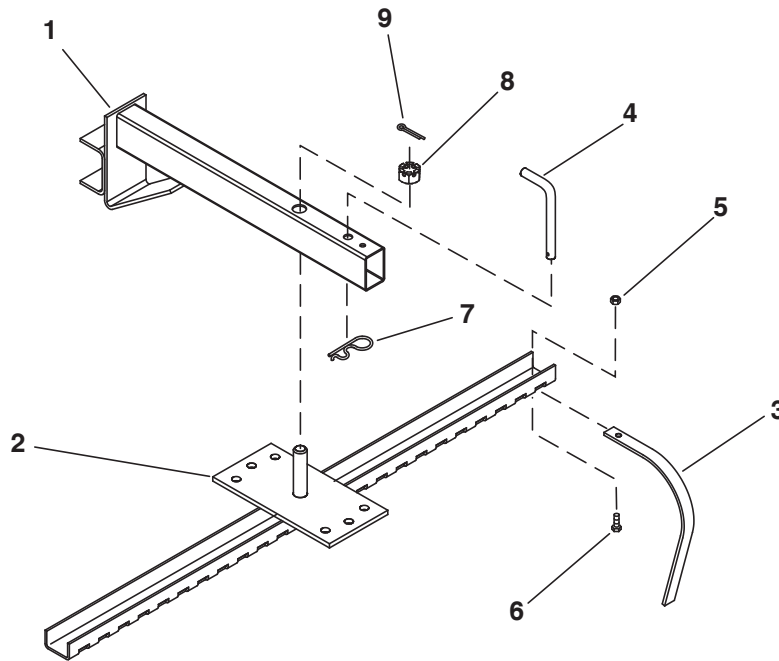


## Sleeve Hitch Rock Rake / Landscaper Rake

**505 56 88-10**  
**(45-0366)**



# REPAIR PARTS FOR MODEL 45-0366 SLEEVE HITCH ROCK RAKE



REF. NO.	PART NO.	QTY.	DESCRIPTION	REF. NO.	PART NO.	QTY.	DESCRIPTION
1	65063	1	Hitch Assembly	6	43001	24	Hex Bolt, 3/8-16 x 1"
2	64780	1	Rake Pivot Assembly	7	43343	1	Hair Cotter Pin, 1/8"
3	25165	24	Rake Tine	8	48968	1	Slotted Hex Nut, 1"-8
4	48978	1	Pivot Pin	9	46855	1	Cotter Pin, 3/16" x 2"
5	HA21362	24	Hex Nut, 3/8-16 (Nylock)		49419	1	Owner's Manual

**SpeedPart** *the fastest way to purchase parts* [www.speedepart.com](http://www.speedepart.com)



**Please do not return this product to the Store**

**For Missing Parts Or Questions on How to Assemble:**

1. Call Agri-Fab at 1-800-448-9282 Option # 1  
Monday through Friday, 7 am to 5 pm CST
2. Fax Agri-Fab at 217-728-2032 or email [info@agri-fab.com](mailto:info@agri-fab.com)

*Missing part shipments are normally shipped from the Agri-Fab factory within 24 hours zip code 61951. 1 to 5 days delivery for UPS.*

**For Replacement and/or Repair Parts:**

1. Call Agri-Fab at 1-800-448-9282 Option # 1  
Monday through Friday, 7 am to 5 pm CST
2. Visit Agri-Fab's website at <http://www.agri-fab.com> and view illustrated parts breakdowns and parts listing and purchase parts via our <http://www.speedepart.com> site online.