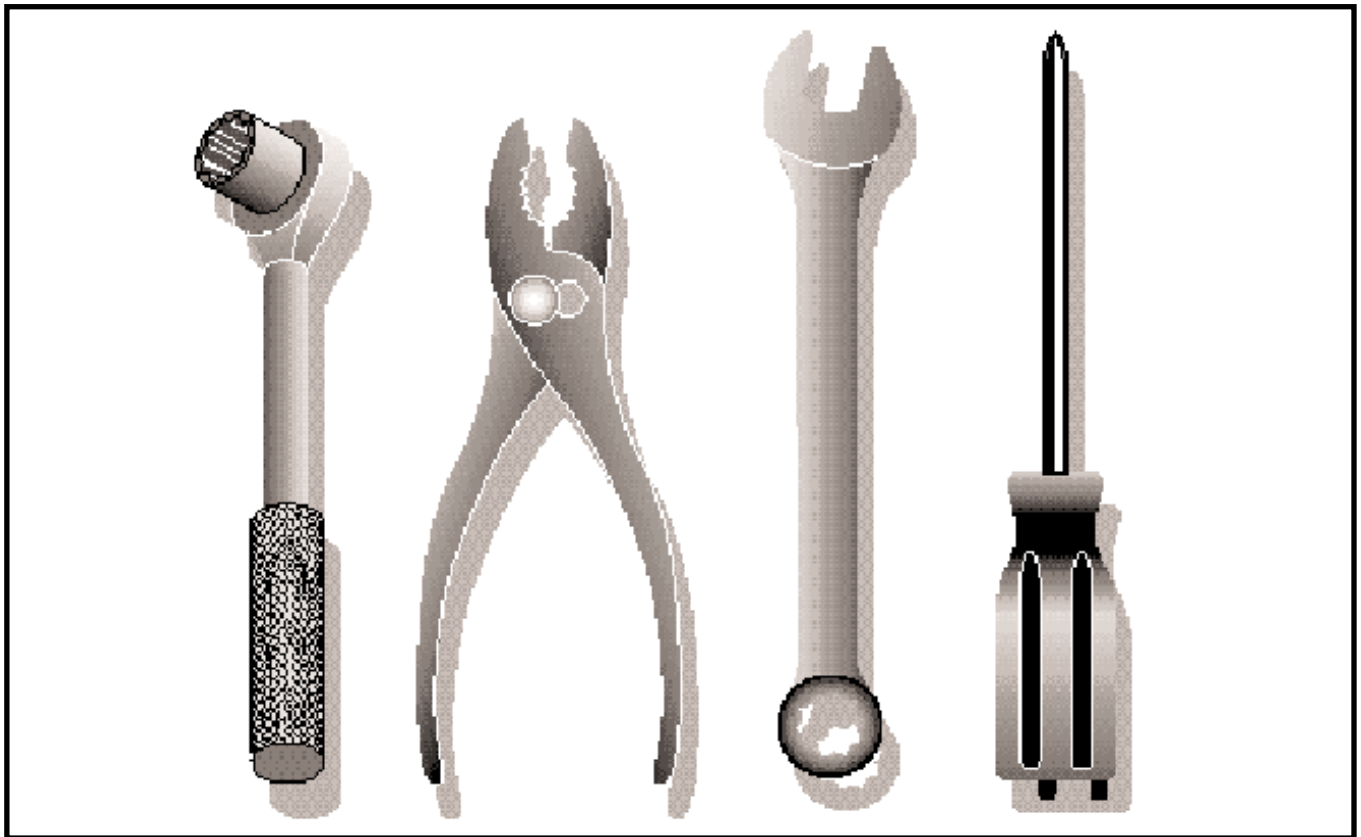


Snow Thrower

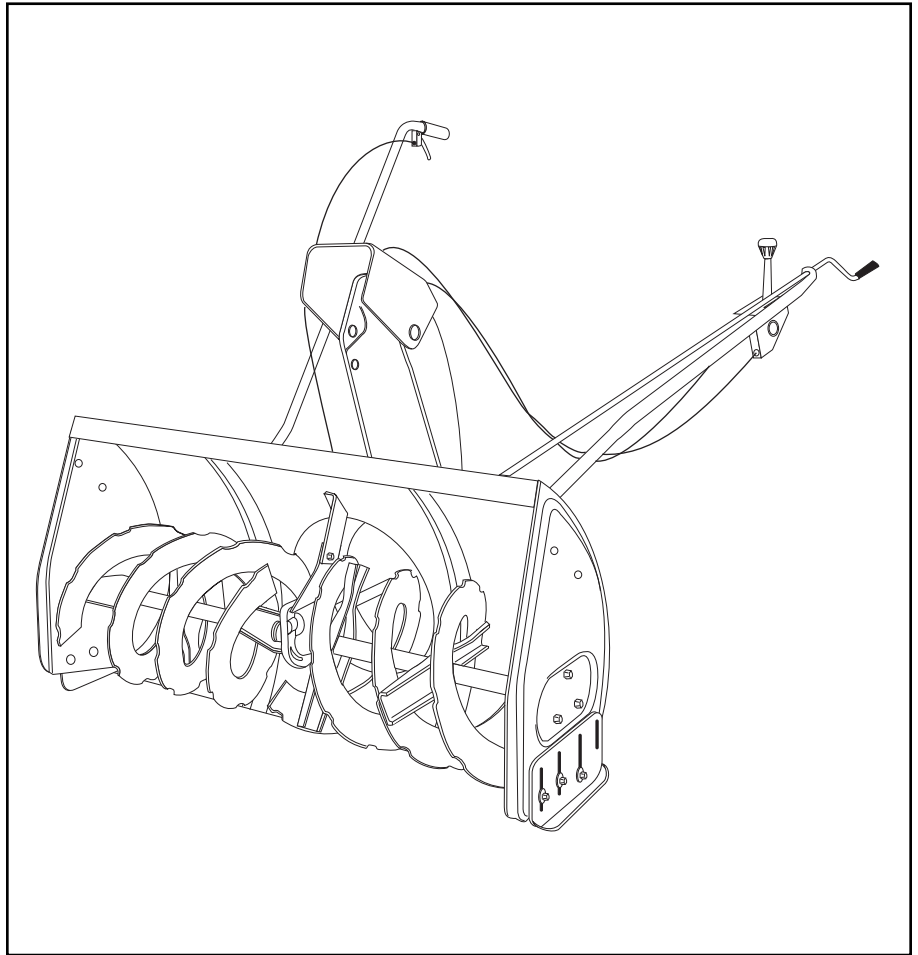
## 42 Inch Two Stage (LST42C)





# OWNERS MANUAL

**Model No.  
LST42C**



## 42" SNOW THROWER

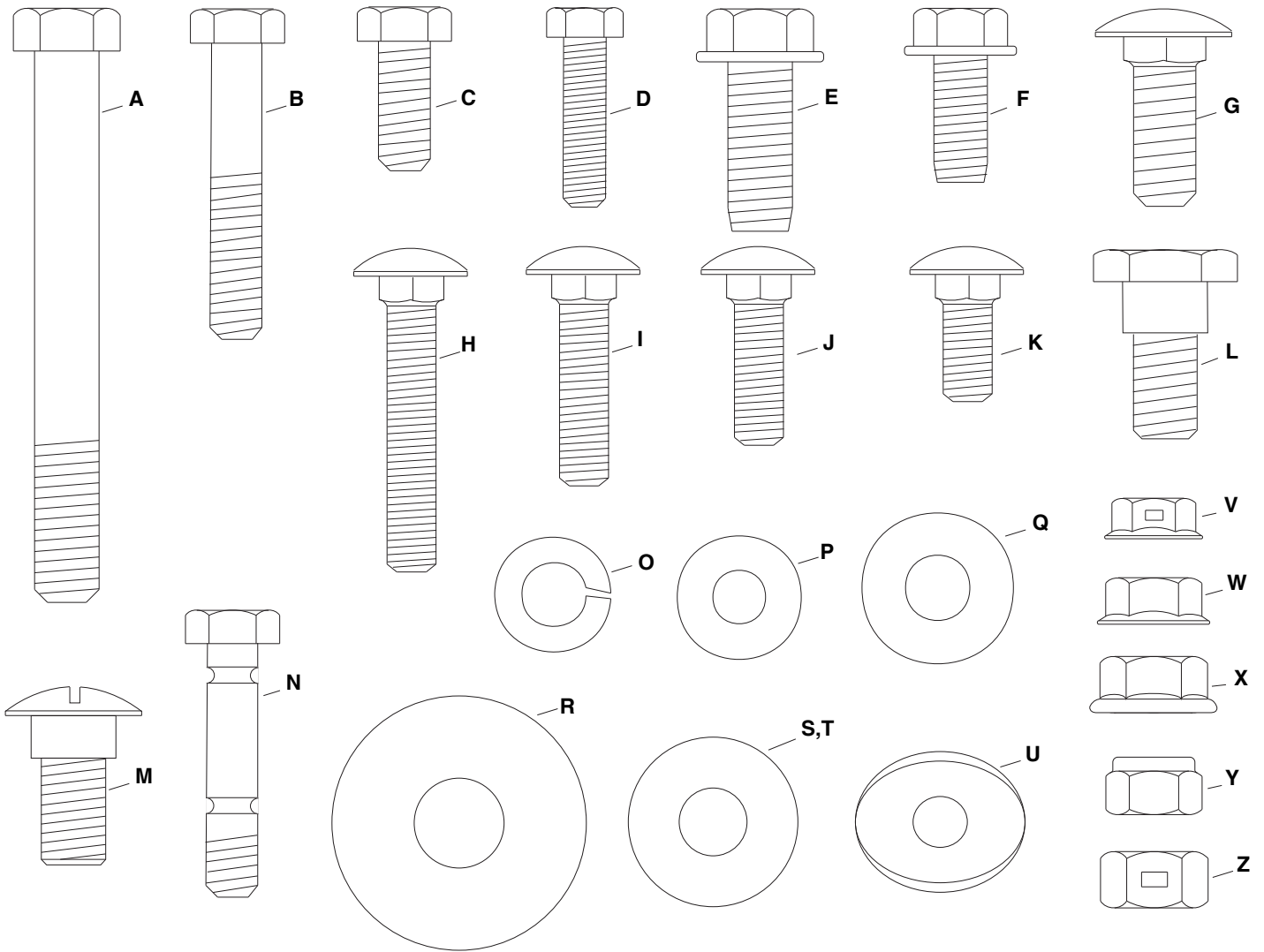
**CAUTION:**  
Read Rules for  
Safe Operation  
and Instructions  
Carefully

- Safety
- Assembly
- Operation
- Maintenance
- Parts

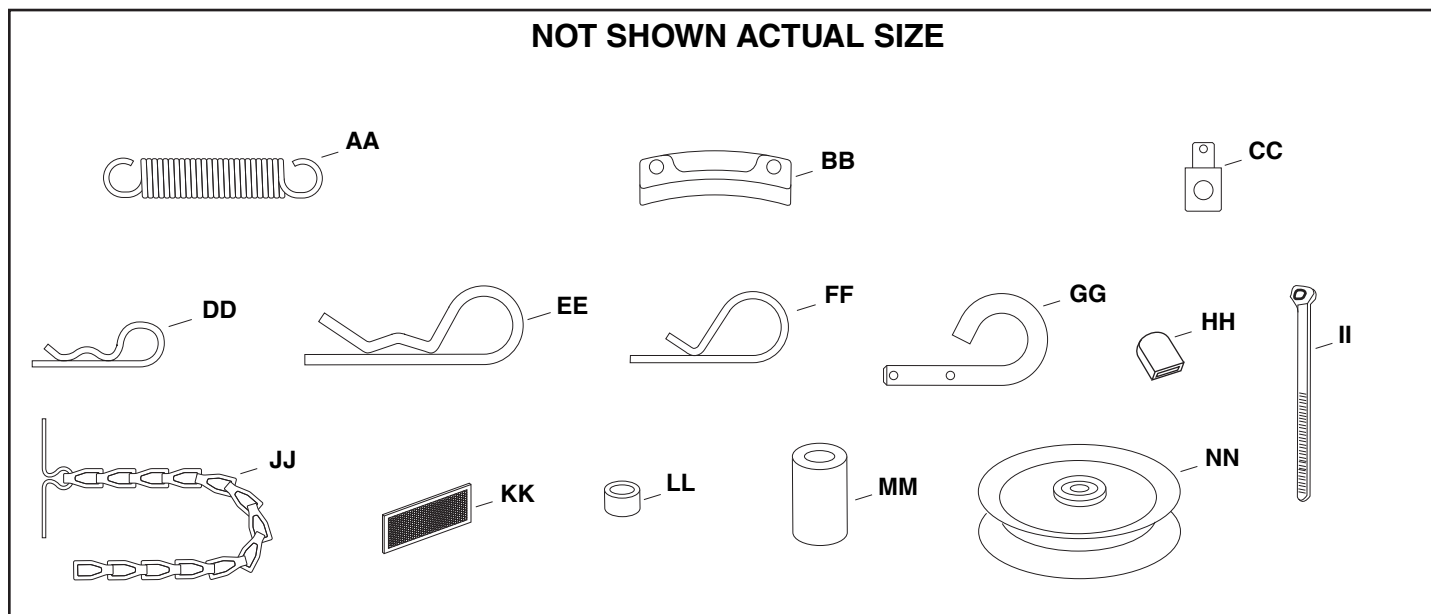
**SpeedEPart** *the fastest way to purchase parts* [www.speedepart.com](http://www.speedepart.com)

# HARDWARE PACKAGE CONTENTS

SHOWN ACTUAL SIZE



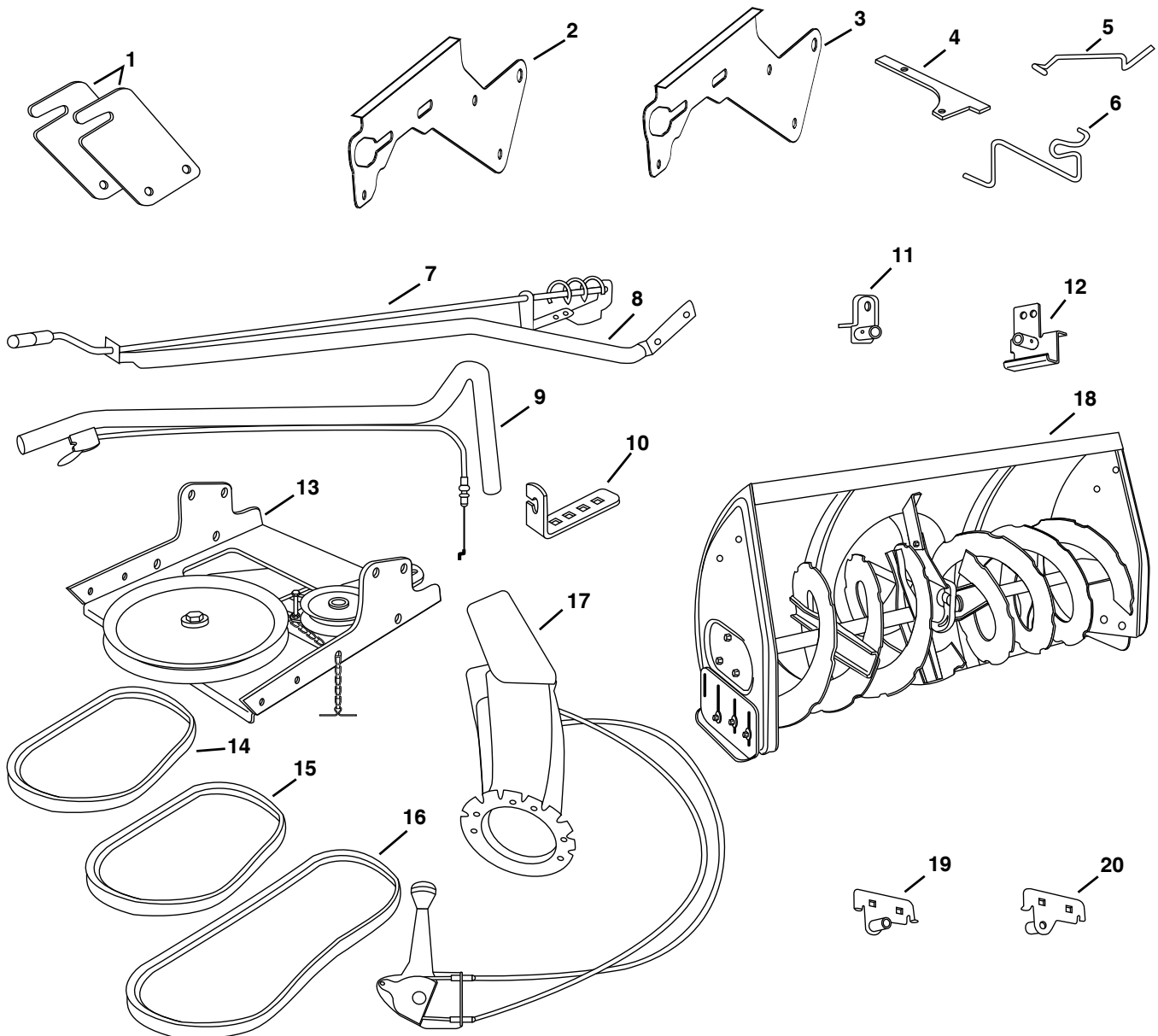
NOT SHOWN ACTUAL SIZE



REF.	QTY.	DESCRIPTION	REF.	QTY.	DESCRIPTION
A	1	Hex Bolt, 3/8" x 3-1/4"	U	2	Bowed Washer
B	2	Hex Bolt, 5/16" x 1-3/4"	V	6	Flanged Nut, 1/4"
C	4	Hex Bolt, 5/16" x 3/4"	W	1	Flanged Nut, 5/16"
D	6	Hex Bolt, 1/4" x 1"	X	10	Flanged Nut, 3/8"
E	6	Hex Bolt, 3/8" x 1" (Thread Forming)	Y	17	Nylock Nut, 5/16" (2 spare parts)
F	2	Hex Bolt, 5/16" x 3/4" (Thread Forming)	Z	2	Hex Lock Nut, 3/8"
G	6	Carriage Bolt, 3/8" x 1"	AA	1	Spring
H	2	Carriage Bolt, 5/16" x 1-3/4"	BB	3	Chute Keeper
I	2	Carriage Bolt, 5/16" x 1-1/4"	CC	1	Trunnion
J	4	Carriage Bolt, 5/16" x 1"	DD	2	Hairpin Cotter, 5/64"
K	2	Carriage Bolt, 5/16" x 3/4"	EE	3	Hairpin Cotter, 1/8"
L	4	Shoulder Bolt	FF	1	Hairpin Cotter, 3/32"
M	2	Shoulder Bolt	GG	2	Lock Pin
N	2	Shear Bolt (spare parts)	HH	1	Plastic Cap
O	7	Lock Washer, 3/8"	II	2	Nylon Tie
P	7	Washer, 1/4"	JJ	1	Chain, Tensioning
Q	6	Washer, 5/16"	KK	2	Tail Reflector
R	8	Washer, 1/2"	LL	1	Small Spacer
S	1	Washer, 3/8" (Thin)	MM	1	Large Spacer
T	3	Washer, 3/8"	NN	1	Pulley

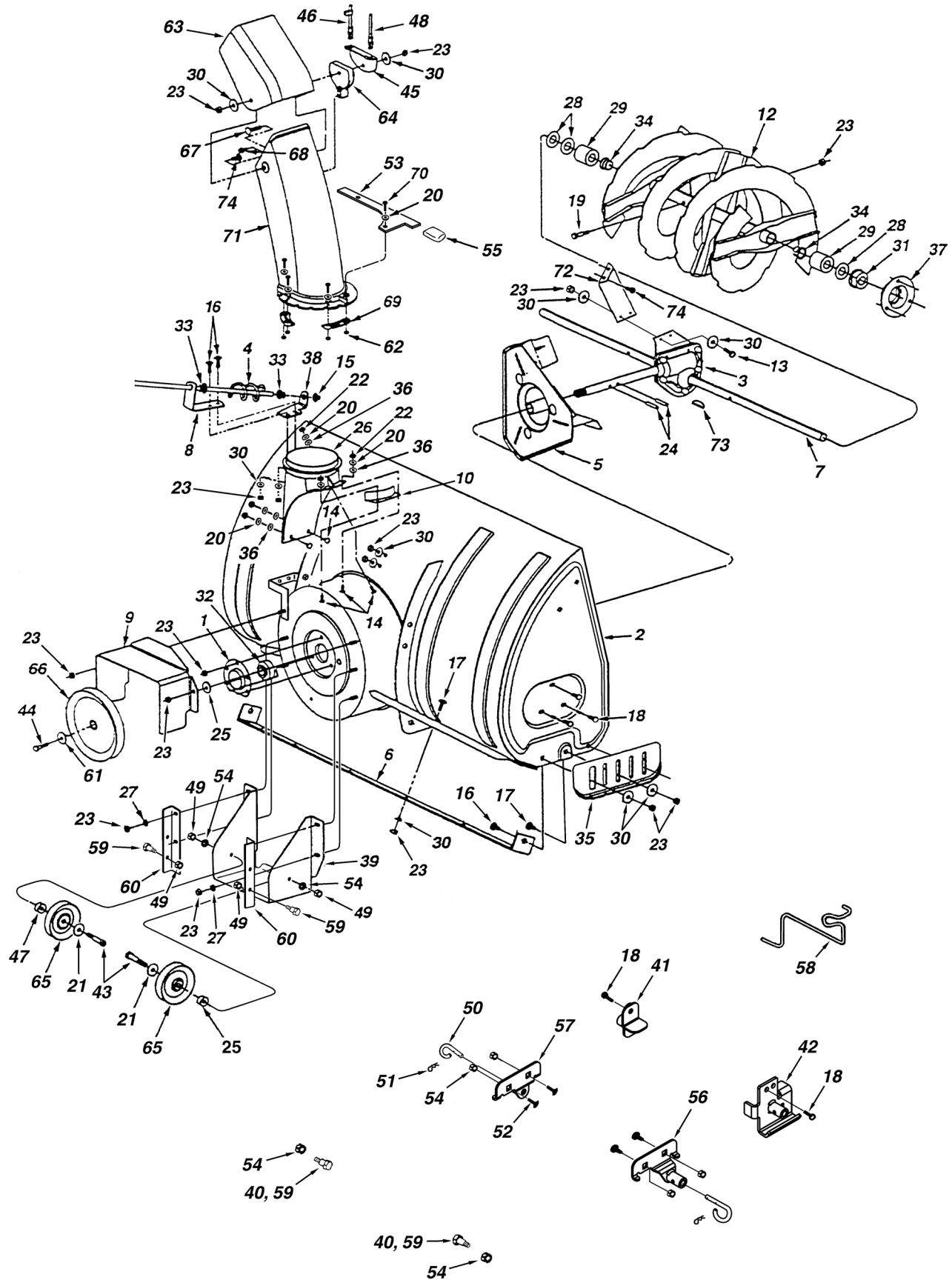
## CARTON CONTENTS

- |     |  |     |  |
|-----|--|-----|--|
| 1.  | Suspension Arms (2)                            | 11. | L.H. Hanger Bracket (Outside Mounting)       |
| 2.  | Left Hand Side Plate                           | 12. | R.H. Hanger Bracket (Outside Mounting)       |
| 3.  | Right Hand Side Plate                          | 13. | Clutch Idler Assembly                        |
| 4.  | Anti-rotation Bracket                          | 14. | V-Belt, Drive (Short) #46989                 |
| 5.  | Engagement Rod (Not used on some models)       | 15. | V-Belt, Drive (Long) #48138                  |
| 6.  | Engine Pulley Keeper (Not used on some models) | 16. | V-Belt, Auger (Attached to Housing Assembly) |
| 7.  | Chute Crank Rod Assembly                       | 17. | Chute and Control Cable Assembly             |
| 8.  | Support Tube, Crank Rod                        | 18. | Housing Assembly                             |
| 9.  | Lift Handle and Cable                          | 19. | L.H. Hanger Bracket (Inside Mounting)        |
| 10. | Cable Bracket                                  | 20. | R.H. Hanger Bracket (Inside Mounting)        |
|     |  |     | Hardware Package (Stored inside Plastic Keg) |



# PARTS

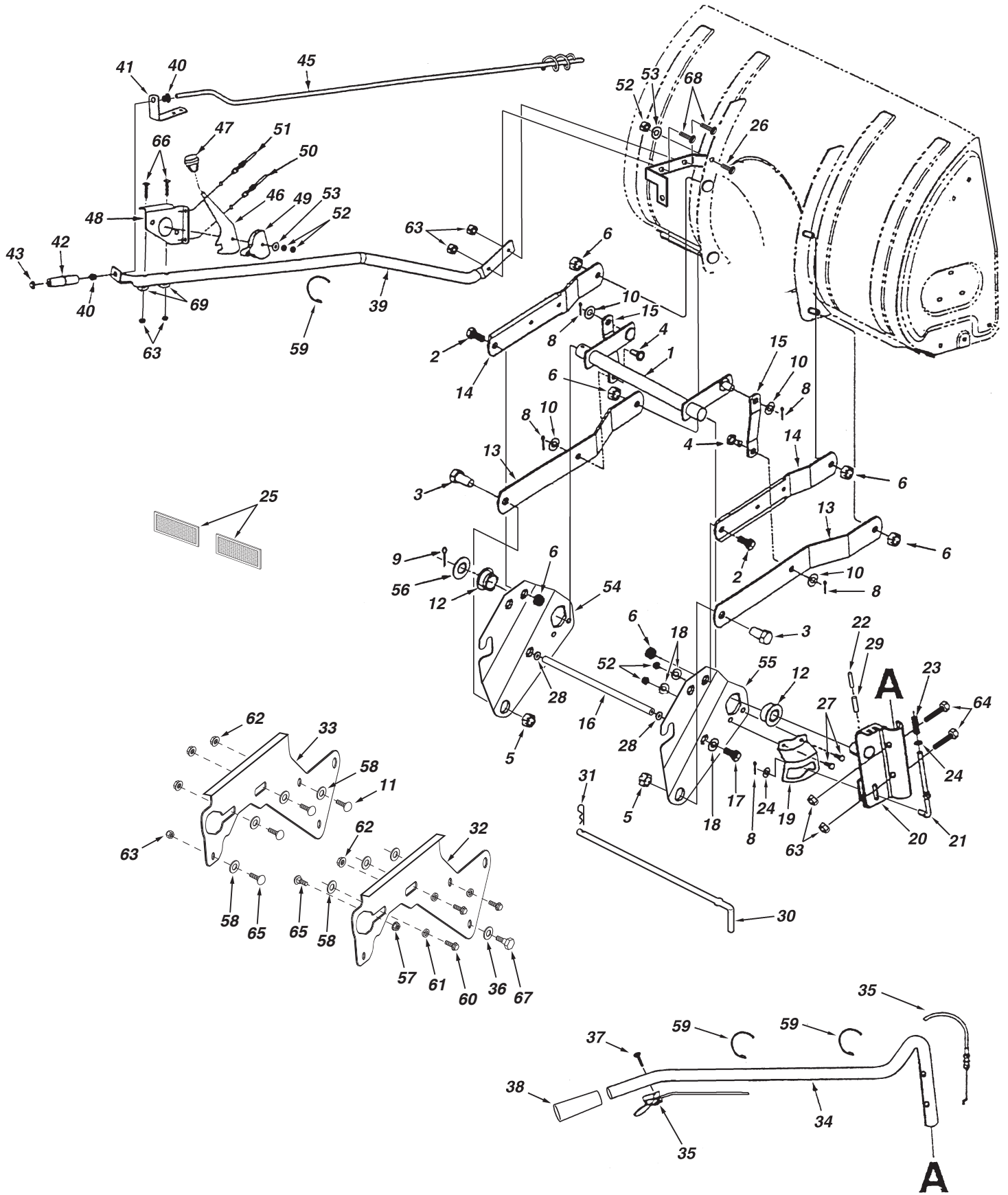
## REPAIR PARTS FOR MODEL LST42C 42" SNOW THROWER



## REPAIR PARTS FOR MODEL LST42C 42" SNOW THROWER

REF. NO.	PART NO.	QTY.	DESCRIPTION	REF. NO.	PART NO.	QTY.	DESCRIPTION
1	05931	1	Housing, Bearing	38	24393	1	Bracket, Chute Crank
2	65701	1	Housing Assembly	39	24281	1	Bracket, Idler
3	71464	1	Gear Assembly	40	49933	2	Shoulder Bolt, Round Head
4	63579	1	Chute Crank Rod Assembly	41	65367	1	Hanger Bracket Assembly, L.H.
5	63768	1	Impeller Assembly	42	65450	1	Hanger Bracket Assembly, R.H.
6	24773	1	Scraper Plate	43	41576	2	Hex Bolt, 3/8-16 x 1-3/4"
7	25982	1	Shaft, Auger Gearbox	44	44377	1	Hex Bolt, 3/8-24 x 1"
8	703-2735A	1	Bracket, Chute Crank	45	784-5594	1	Bracket, Cable
9	24816	1	Cover, Belt	46	746-0929	1	Cable, Chute Control With Clip
10	705-5226	1	Chute Reinforcement	47	711-0242	1	Spacer
11	705-5269	1	Spiral Assembly, L.H. (not shown)	48	746-0928	1	Cable, Chute Control
12	705-5270	1	Spiral Assembly, R.H.	49	HA21362	4	Hex Nut, 3/8-16 Nylock
13	43840	2	Hex Bolt, 5/16-18 x 1-1/4" Lg.	50	43038	2	Pin, Pivot Lock
14	44950	5	Carriage Bolt, 1/4-20 x 3/4"	51	43343	2	Pin, Hair Cotter #4 (1/8")
15	44917	1	Palnut, 3/8"	52	43350	4	Carriage Bolt, 3/8-16 x 1"
16	44326	4	Carriage Bolt, 5/16-18 x 1" Lg.	53	24394	1	Bracket, Chute Anti-rotation
17	43080	10	Carriage Bolt, 5/16-18 x 3/4" Lg.	54	47572	6	Hex Lock Nut, 3/8-16 Flanged
18	46703	8	Bolt, Self-Tap 5/16" x 3/4"	55	1643-60	1	Plastic Cap
19	710-0890A	2	Bolt, Shear 5/16-18 x 1-1/2"	56	64452	1	Hanger Bracket Assembly, R.H.
20	43088	11	Washer, 1/4"	57	64451	1	Hanger Bracket Assembly, L.H.
21	43070	2	Washer, 3/8"	58	47043	1	Keeper, Engine Pulley
22	47189	5	Hex Nut, 1/4-20 Nylock	59	48106	4	Bolt, Shoulder
23	47810	29	Hex Nut, 5/16-18 Nylock	60	24466	2	Bracket, Down Stop
24	715-0114	2	Spiral Pin, 1/4" x 1-1/2" Lg.	61	736-0247	1	Washer,
25	750-0437	2	Bushing	62	47598	6	Hex Lock Nut, 1/4" Flanged
26	731-1379A	1	Chute Adapter	63	731-0921	1	Chute, Upper
27	43086	4	Lock Washer, 5/16"	64	731-1313C	1	Guide, Cable
28	736-0188	6	Washer, .76" x 1.49" x .06"	65	47044	2	Pulley, V Type 4"
29	711-0469	4	Spacer, .75 ID x 1.25 OD x .5 L	66	47026	1	Pulley, V Type
30	43081	24	Washer, 5/16" Std. Wrt.	67	43085	1	Hex Bolt, 5/16-18 x 1-1/2"
31	47615	2	Bearing, Flange	68	710-0896	1	Screw, 1/4-14 x 5/8"
32	741-0309	1	Bearing, Ball	69	731-0851A	3	Chute Keeper
33	741-0475	2	Bushing, Plastic 3/8"	70	43661	6	Hex Bolt, 1/4-20 x 1"
34	741-0493A	4	Bearing, Split, 3/4"	71	731-1300C	1	Chute, Lower
35	24279	2	Skid Shoe	72	25937	1	Center Brace, Gearbox
36	48015	5	Washer, Nylon	73	HA20185	1	#61 Woodruff Key
37	784-5618	2	Housing, Bearing	74	43182	3	Hex Bolt, 5/16-18 x 3/4"
					40243	1	Owner's Manual

# REPAIR PARTS FOR MODEL LST42C 42" SNOW THROWER

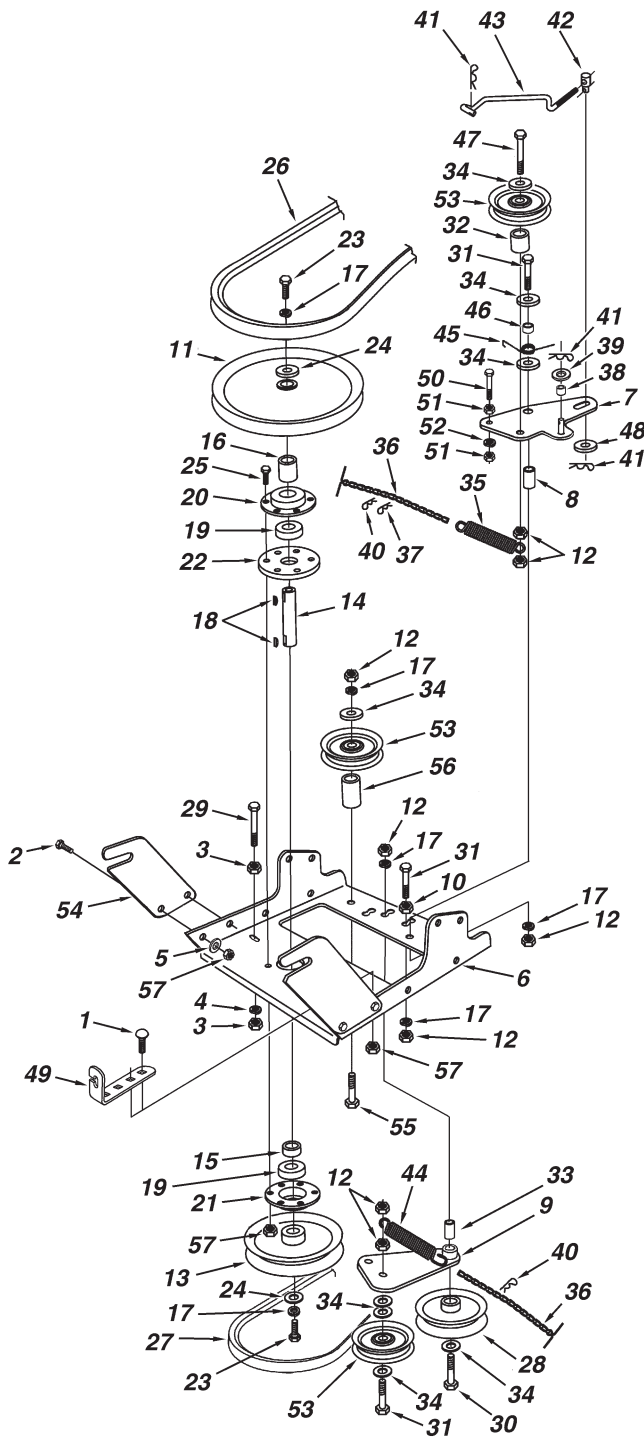




## REPAIR PARTS FOR MODEL LST42C 42" SNOW THROWER

REF. NO.	PART NO.	QTY.	DESCRIPTION	REF. NO.	PART NO.	QTY.	DESCRIPTION
1	64637	1	Lift Shaft Assembly	36	43070	2	Washer, 3/8"
2	710-0865	2	Hex Bolt, 1/2-13 x 1"	37	710-1233	1	Screw, Oval #10-24 x 1"
3	710-0367	2	Hex Bolt, 5/8-11 x 1-1/2"	38	46446	1	Grip, Handle
4	711-0332	2	Pin, Bracket Lift	39	47027	1	Tube, Crank Rod Support
5	712-0261	2	Nut, Hex Lock 5/8-11 Thread	40	741-0475	2	Bushing, 3/8" Plastic
6	43262	6	Nut, Hex Lock 1/2-13	41	703-2735A	1	Bracket, Chute Crank
8	142	5	Pin, Cotter 1/8" x 3/4"	42	720-0201A	1	Knob, Crank
9	43093	1	Pin, Cotter 1/8" x 1-1/2"	43	44917	1	Palnut, 3/8"
10	R19171616	4	Washer, 17/32" x 1"	45	63579	1	Assembly, Chute Crank Rod
11	43350	6	Carriage Bolt, 3/8-16 x 1"	46	784-5604A	1	Handle, Chute Tilt
12	741-0192	2	Bearing, Flange With Flats	47	720-04039	1	Knob
13	783-0380	2	Link, 15.80" Long	48	603-0302	1	Assembly, Chute Tilt Bracket
14	783-0381	2	Link, 11.75" Long	49	731-1313C	1	Guide, Cable
15	24476	2	Link, 4.88" Long	50	746-0928	1	Cable, Chute Control
16	24311	1	Rod, Spacer	51	746-0929	1	Cable, Chute Control with Clip
17	47599	2	Hex Bolt, 5/16-18 x 1" (Locking)	52	43064	5	Nut, Hex Lock 5/16-18
18	43086	4	Lock Washer, 5/16"	53	43081	2	Washer, 5/16"
19	24820	1	Bracket, Lift	54	24285	1	Plate, Mounting (L.H.)
20	63773	1	Assembly, Handle Lift Bracket	55	24284	1	Plate, Mounting (R.H.)
21	48049	1	Rod, Index Lift	56	43601	1	Washer, 1.59" x 1.032" x .060"
22	47369	1	Pin, Spring 3/16" x 1-3/4"	57	46584	1	Nut, Whizlock, 5/16-18
23	732-0306	1	Spring, Compression	58	R19172410	8	Washer, 1/2"
24	R19131316	2	Washer, 13/32" x 13/16"	59	726-0178	3	Tie, Nylon
25	47788	2	Reflector, Rear	60	47631	6	Hex Bolt, 3/8-16 x 1" Self Tap
26	43080	1	Carriage Bolt, 5/16-18 x 3/4"	61	43003	6	Lock Washer, 3/8"
27	43182	2	Hex Bolt, 5/16-18 x 3/4"	62	47572	6	Nut, Flanged Lock 3/8-16
28	R19111116	2	Washer, 11/32 x 11/16 x 3/64	63	47810	8	Nut, Nylock Hex 5/16-18
29	47368	1	Pin, Spring 5/16" x 1-3/4"	64	43084	2	Hex Bolt, 5/16-18 x 1-3/4"
30	46954	1	Pin, Attachment	65	44326	2	Carriage Bolt, 5/16-18 x 1"
31	43343	1	Pin, Haircotter #4 (1/8")	66	44215	2	Carriage Bolt, 5/16-18 x 1-3/4"
32	25678	1	Plate, Side (R.H.)	67	48106	2	Bolt, Shoulder
33	25679	1	Plate, Side (L.H.)	68	43682	2	Carriage Bolt, 5/16-18 x 1-1/4"
34	49916	1	Tube, Lift Handle	69	44695	2	Washer, Bowed
35	49912	1	Trigger and Lift Cable Assembly				

# REPAIR PARTS FOR MODEL LST42C 42" SNOW THROWER



REF. NO.	PART NO.	QTY.	DESCRIPTION
1	43080	2	Carriage Bolt, 5/16-18 x 3/4"
2	43182	4	Hex Bolt, 5/16-18 x 3/4"
3	43083	2	Hex Nut, 5/16-18
4	43086	1	Lock Washer, 5/16"
5	43081	4	Washer, 5/16" Std. Wrt.
6	25727	1	Frame, Clutch and Pulley
7	63904	1	Idler Arm Assembly
8	24286	1	Spacer, Pivot
9	63762	1	Idler Bracket Assembly
10	43015	1	Hex Nut, 3/8-16
11	46981	1	Pulley, V Type 9"
12	43082	8	Nut, Hex Lock, 3/8-16
13	46982	1	Pulley, V Type 5-1/2"
14	738-0680	1	Shaft
15	750-0456	1	Spacer
16	750-0660	1	Spacer
17	43003	6	Lock Washer, 3/8"
18	714-0161	2	Key
19	741-0919	2	Bearing, Ball
20	08253B	1	Housing, Bearing
21	15296A	1	Housing, Open Bearing
22	14088B	1	Spacer, Spindle
23	44377	2	Hex Bolt, 3/8-24 x 1"
24	736-0247	2	Washer
25	43063	3	Hex Bolt, 5/16-18 x 1"
26	46989	1	Belt, V Type Drive (55")
	48138	1	Belt, V Type Drive (56")
27	47846	1	Belt, V Type Auger
28	47044	1	Pulley, V Type 4"
29	47025	1	Hex Bolt, 5/16-18 x 3-1/2"
30	43432	1	Hex Bolt, 3/8-16 x 2-1/2"
31	43054	3	Hex Bolt, 3/8-16 x 2"
32	24571	1	Spacer
33	24472	1	Spacer, Pivot
34	43070	8	Washer, 3/8"
35	46959	1	Spring
36	46963	2	Chain
37	43055	1	Pin, Hair Cotter, 3/32"
38	23727	1	Spacer
39	43088	1	Washer, 1/4"
40	43343	2	Pin, Hair Cotter #4 (1/8")
41	47134	2	Pin, Hair Cotter 5/64"
42	711-0198	1	Trunnion
43	46948	1	Rod, Engagement
44	47620	1	Spring
45	47607	1	Spring, Torsion
46	23625	1	Spacer
47	43509	1	Hex Bolt, 3/8-16 x 2-3/4" Lg.
48	47605	1	Washer, Flat 3/8"
49	24558	1	Cable Bracket
50	49870	1	Hex Bolt, 1/4-20 x 2-1/2"
51	43178	2	Hex Nut, 1/4-20
52	43177	1	Lock Washer, 1/4"
53	48883	3	Pulley, Flat 3-5/8"
54	25728	2	Rear Pulley Frame Bracket
55	46938	1	Hex Bolt, 3/8-16 x 3-1/4"
56	25780	1	Spacer
57	47810	9	Hex Nut, 5/16-18 Nylock

***SpeedEPart*** *the fastest way to purchase parts* [www.speedepart.com](http://www.speedepart.com)

**REPAIR PARTS**

Agri-Fab, Inc.  
809 South Hamilton  
Sullivan, IL. 61951  
217-728-8388  
[www.agri-fab.com](http://www.agri-fab.com)