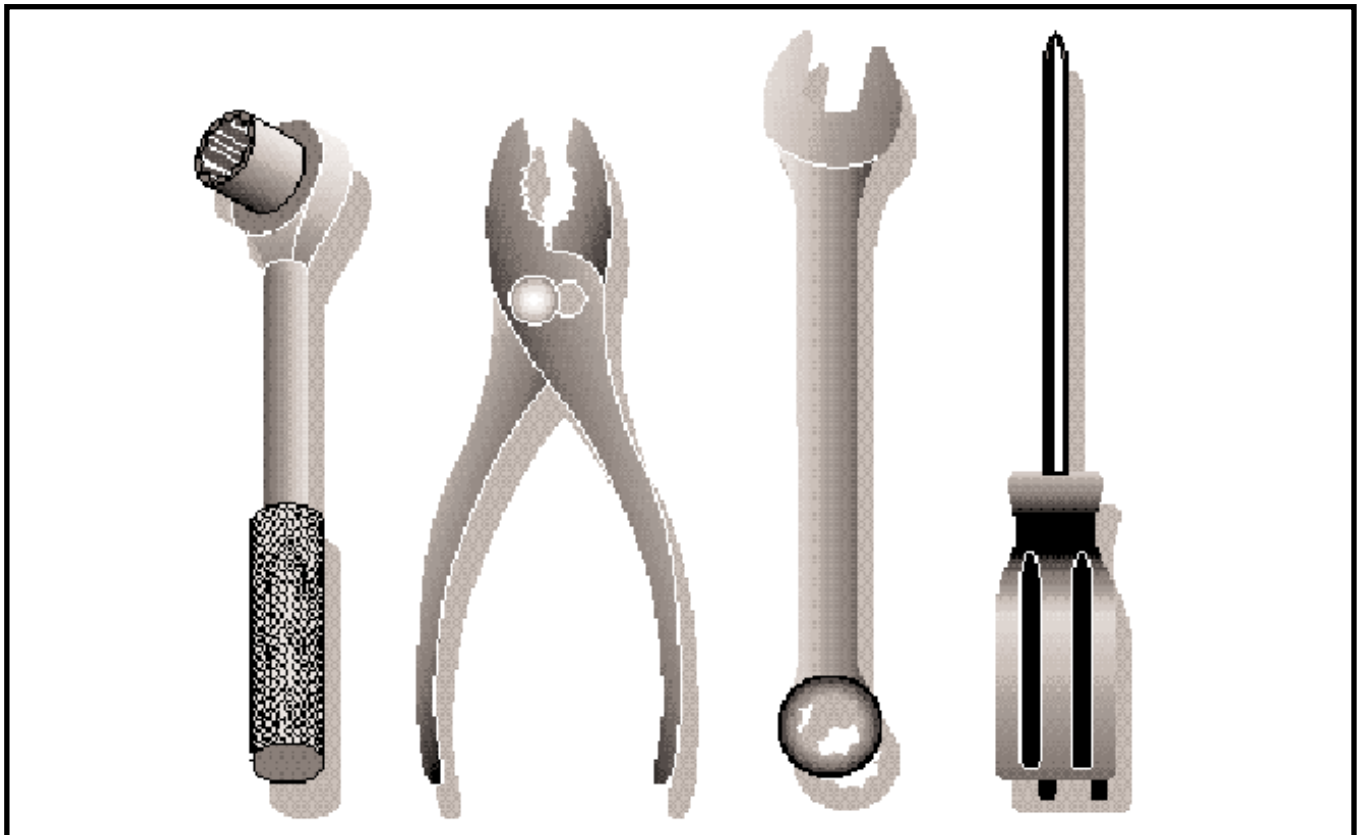


531 30 83-22

Sun Shade (45-03732)





OWNERS MANUAL

Model No.
45-03732



SUN SHADE

CAUTION:
Read Rules for
Safe Operation
and Instructions
Carefully

- Safety
- Assembly
- Operation
- Maintenance
- Parts

SpeedEPart *the fastest way to purchase parts* www.speedepart.com

SAFETY RULES

Any power equipment can cause injury if operated improperly or if the user does not understand how to operate the equipment. Exercise caution at all times when using power equipment.

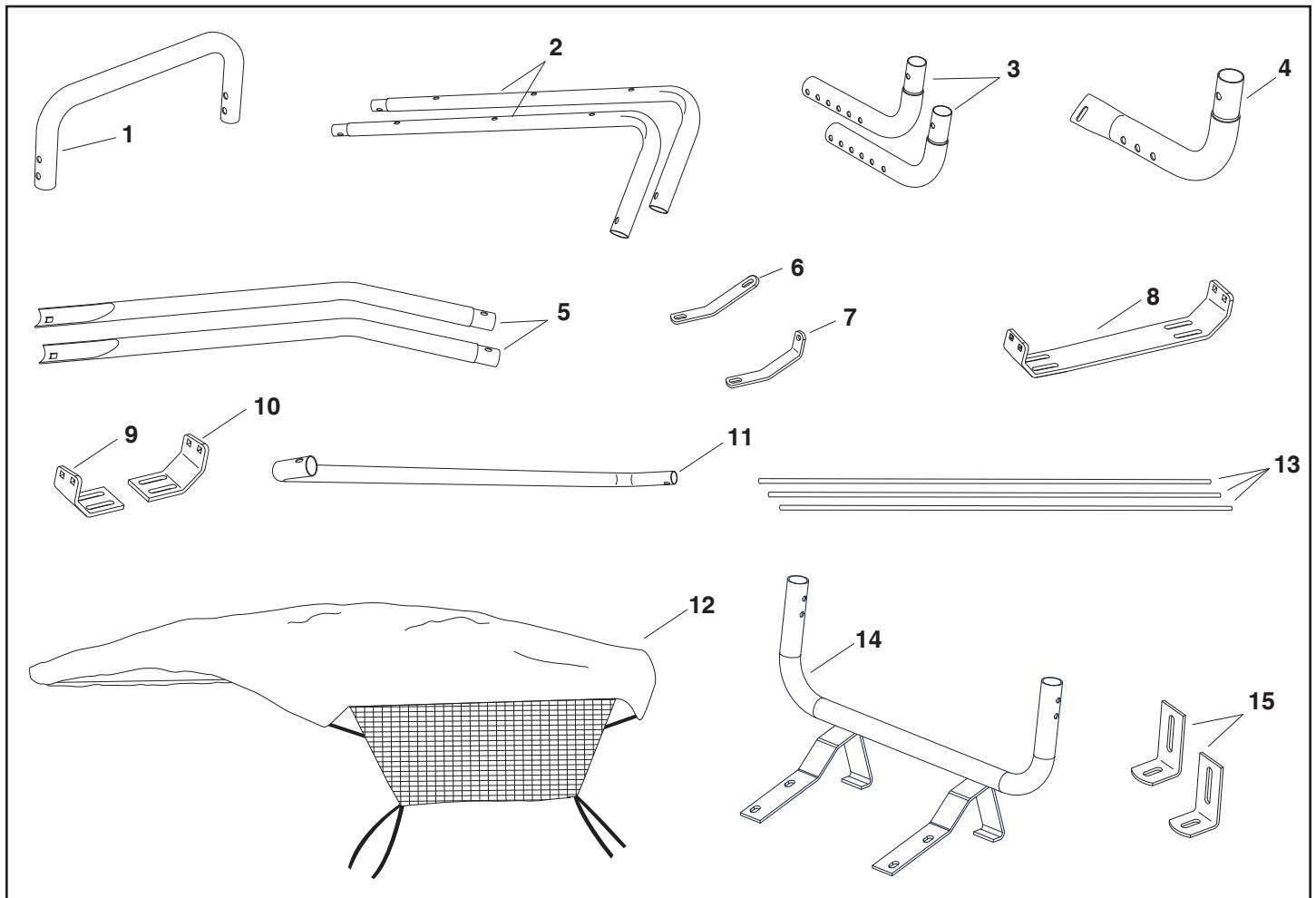
1. This sun shade does not provide protection against exhaust fumes, collision, rollover or other accidents.
2. Read the sun shade and vehicle owner's manuals and know how to operate your vehicle and sun shade before using the sun shade attachment.
3. Be sure there is adequate ventilation when using the tractor and sun shade in confined areas.
4. The sun shade will restrict your field of vision in some directions. Use extra caution when operating your tractor with the sun shade attached.
5. Watch out for low tree limbs or other overhead obstructions that may not previously have interfered with operation of the tractor. The extra height of the sun shade may cause these objects to become obstacles.
6. Check the area of operation thoroughly before using the tractor.



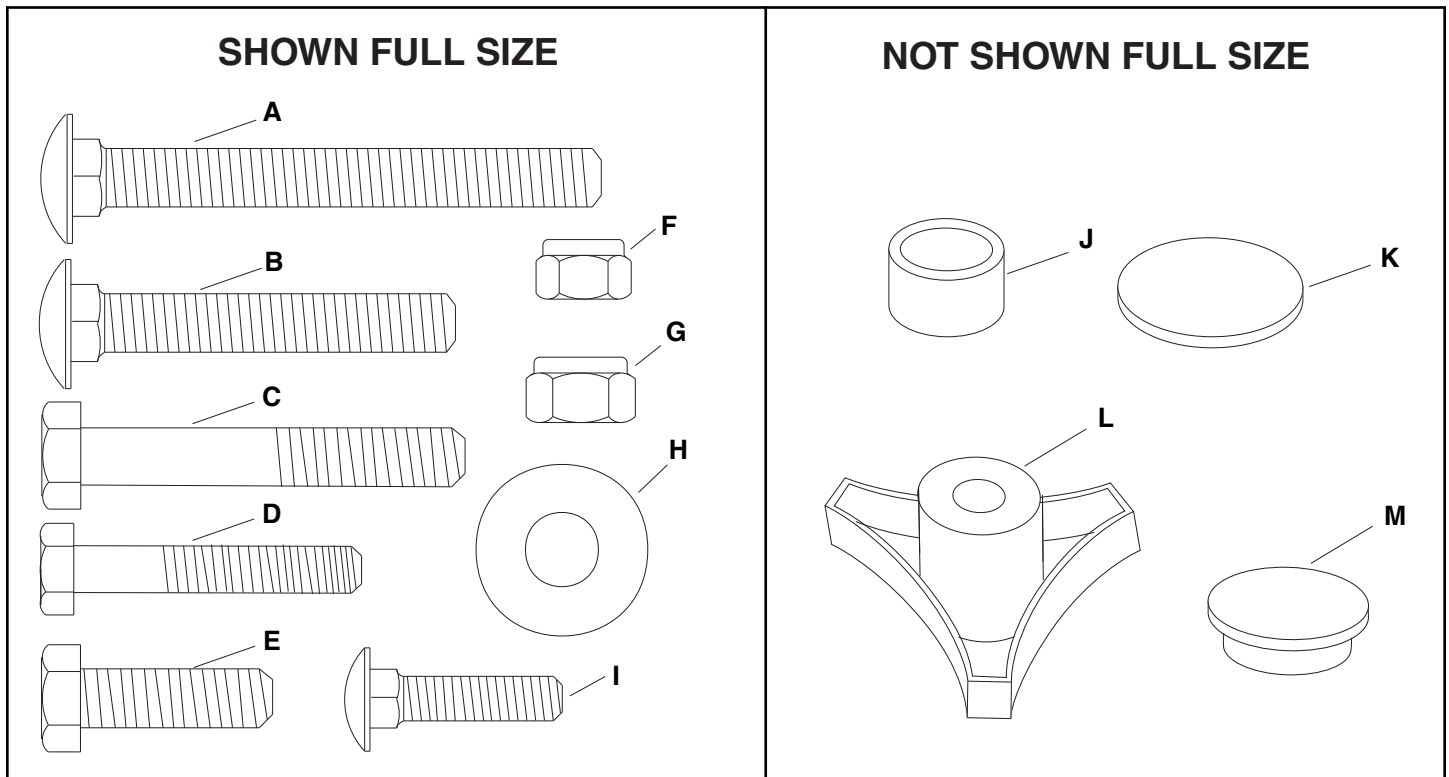
Look for this symbol to point out important safety precautions. It means — **Attention!! Become alert!! Your safety is involved.**

CARTON CONTENTS

- | | | |
|---------------------------|-----------------------------------------|-------------------------------|
| 1. Upper base tube | 6. Right Support Bracket | 11. U-Tube |
| 2. Top Tubes (2) | 7. Left Support Bracket | 12. Vinyl Canopy |
| 3. Base Leg Tubes (2) | 8. Base Bracket | 13. Support Rods (3) |
| 4. Base Leg Tube (w/Flat) | 9. Left Base Bracket | 14. Base Bracket Ass'y |
| 5. Upright Tubes (2) | 10. Right Base Bracket (stamped with R) | 15. Rear Support Brackets (2) |



HARDWARE PACKAGE



REF.	QTY.	DESCRIPTION	REF.	QTY.	DESCRIPTION
A	4	Carriage Bolt, 5/16" x 2-3/4"	H	4	Flat Washer, 5/16"
B	6	Carriage Bolt, 5/16" x 2"	I	1	Carriage Bolt, 1/4" x 1"
C	1	Hex Bolt, 5/16" x 2"	J	4	Spacer
D	4	Hex Bolt, 1/4" x 1-1/2"	K	4	Adhesive Pad
E	2	Hex Bolt, 5/16" x 1"	L	2	Plastic Knob
F	5	Nylock Nut, 1/4"	M	2	Plastic Cap (for Husqvarna tractors)
G	6	Nylock Nut, 5/16"			

TOOLS REQUIRED FOR ASSEMBLY

- (2) 7/16" Wrenches
- (2) 1/2" Wrench
- (1) 1/2" or 9/16" Socket Wrench

REMOVAL OF PARTS FROM CARTON

- Remove all parts and hardware packages from the carton. Lay out parts and hardware and identify using the illustrations on pages 2 and 3.

NOTE: Not all of the supplied parts and hardware will be needed for one particular tractor. Unneeded items may be discarded after assembly has been completed.

NOTE: Right hand (RH) and left hand (LH) are determined from the operator's position while seated on the tractor.



CAUTION: Make sure tractor seat raises and lowers freely after attaching Sun Shade. The tractor's operator presence safety switch will not operate if seat is stuck down.

STEP 1: (SEE FIGURE 1)

- Look under the front of your tractor. If there is a single mower deck suspension bracket located underneath the middle of the front axle, continue on to step 2. If your tractor does not have a mower deck suspension bracket underneath the middle of the front axle, skip to step 6 on page 6 for tractors with dual suspension brackets.

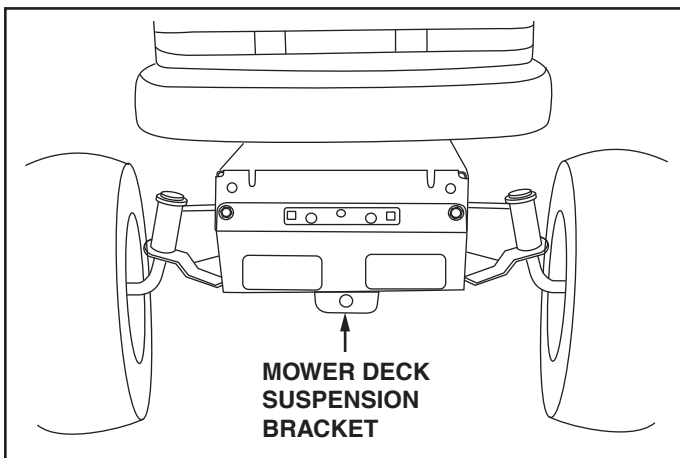


FIGURE 1

INSTRUCTIONS FOR TRACTORS WITH SINGLE SUSPENSION BRACKET

For Husqvarna brand tractors with a single suspension bracket skip to step 5 on page 5.

STEP 2: (SEE FIGURE 2)

- The four holes in the base bracket are unequal in height. Place the base bracket on a flat surface with the holes that are higher facing away from you.
- Attach the right side of the base bracket to the front two holes in the flattened base leg tube using two 5/16" x 2" carriage bolts (B) and 5/16" nylock nuts (G). **Make only finger tight.**
- Attach the left side of the base bracket to the fourth and fifth holes in one of the base leg tubes using two 5/16" x 2" carriage bolts (B) and 5/16" nylock nuts (G). **Make only finger tight.**
- Attach the long end of the right support bracket to the outside of the flattened end of the right base leg tube using a 1/4" x 1" carriage bolt (I) and 1/4" nylock nut (F). **Make only finger tight.**
- Attach the left support bracket to the outside of the left base leg tube using one 5/16" x 2" hex bolt (C) and 5/16" nylock nut (G). **Make only finger tight.**

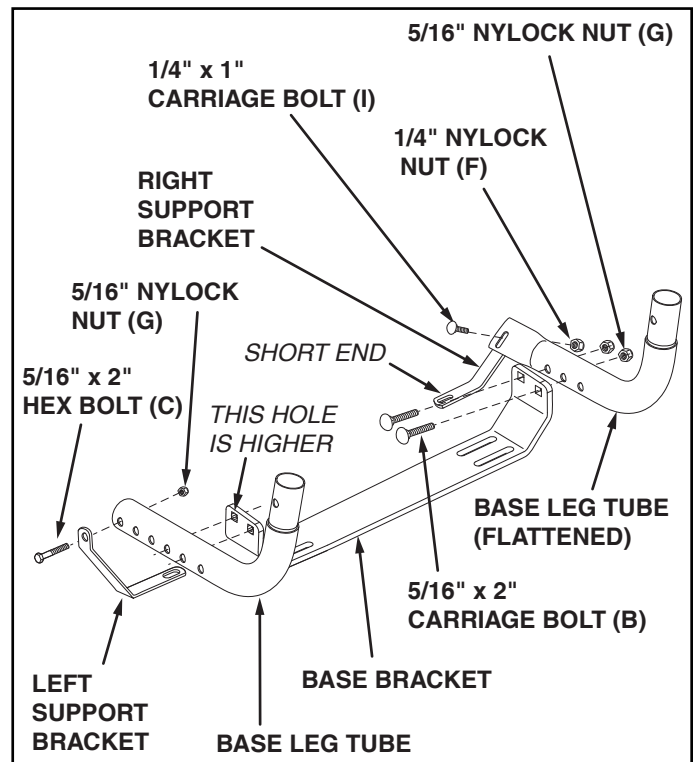


FIGURE 2

STEP 3: (SEE FIGURE 3)

- Insert the ends of the base leg tubes into the upper base tube.

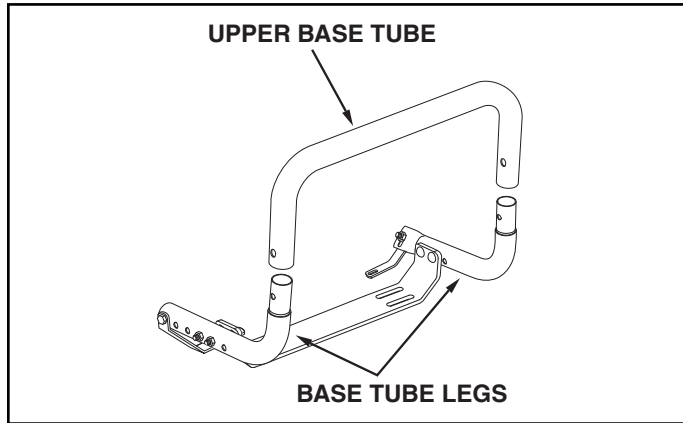


FIGURE 3

STEP 4: (SEE FIGURE 4)

- Raise the tractor seat and remove the seat springs and the four bolts from the rear fender using a 1/2" socket.
- Place the base leg tubes onto the rear fender. Attach the front support brackets to the front holes in the fender reusing the bolts that were removed. If seat springs were mounted to front holes, see note below. **Do not tighten completely.**
- Attach the base bracket and the seat springs to the rear holes in the fender using the new 5/16" x 1" bolts (E) and 5/16" flat washers (H) supplied with the Sun shade. If seat springs were mounted to front holes, see note below. **Do not tighten completely.**
- **Tighten** the nuts and bolts that fasten the base leg tubes to the base bracket and front support brackets.
- Center the base leg tubes on the rear fender and then **tighten, using moderate force**, the bolts fastening the base bracket and the front support brackets to the fender. Overtightening the bolts may damage the threaded holes in the fender.
- **PROCEED TO STEP 9 ON PAGE 7**

NOTE: If seat springs were mounted to front holes, use 5/16" x 1" bolts (E) and 5/16" flat washers (H) to attach seat springs and front support brackets to front holes. Use original bolts to attach base bracket to rear holes.

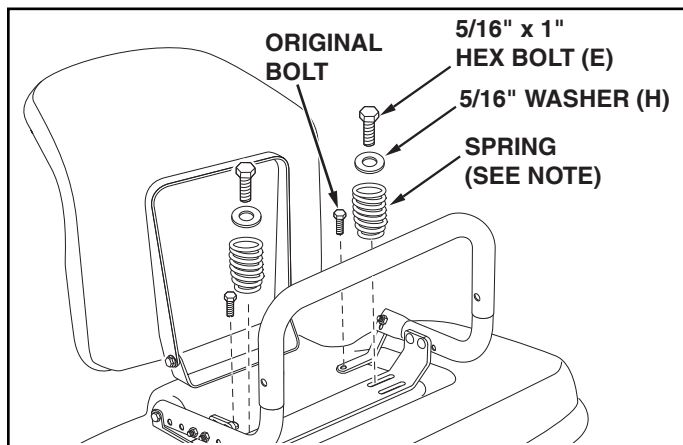


FIGURE 4

INSTRUCTIONS FOR HUSQVARNA TRACTORS WITH A SINGLE SUSPENSION BRACKET

STEP 5: (SEE FIGURE 5)

- Raise the tractor seat and remove the seat springs and bolts from the rear fender using a 1/2" socket.
- Place the hooked ends of the base bracket assembly underneath the rear of the fender.
- Attach the base bracket assembly and the seat springs to the rear holes in the fender using the new 5/16" x 1" bolts (E) and 5/16" washers (H) supplied with the sun shade. If seat springs were mounted to front holes, see note below. **Do not tighten completely.**
- Attach the base bracket assembly to the front holes using the original bolts that were removed. If seat springs were mounted to front holes, see note below. **Do not tighten completely.**
- **Tighten** all bolts.
- Insert the plastic caps into the ends of the base bracket tube.
- **PROCEED TO STEP 9 ON PAGE 7**

NOTE: If springs were located in front holes, use 5/16" x 1" bolts (E), 5/16" flat washers (H) to attach springs and base bracket assembly to front holes. Use original bolts to attach base bracket assembly to rear holes.

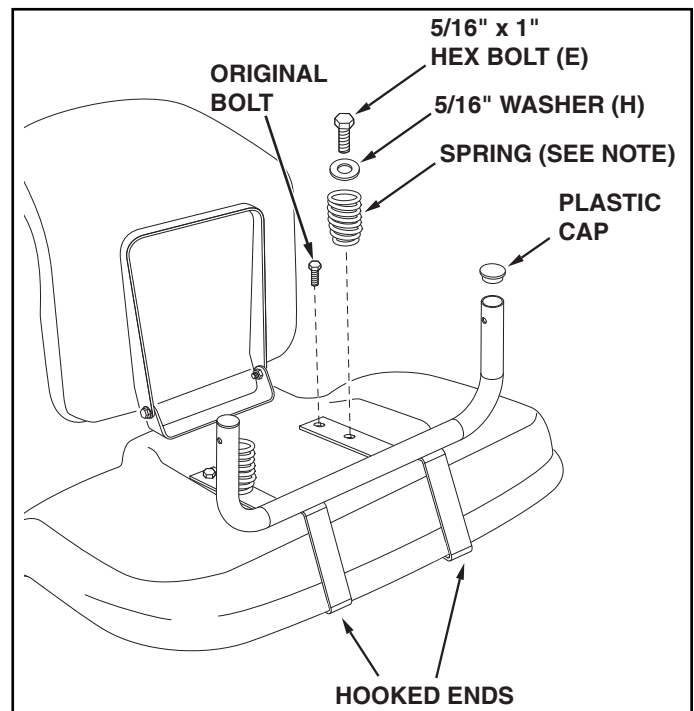


FIGURE 5

INSTRUCTIONS FOR TRACTORS WITH DUAL SUSPENSION BRACKETS

STEP 6: (SEE FIGURE 6)

- Attach the right base bracket to the front holes of a base leg tube that does not have a flattened end, using two 5/16" x 2-3/4" carriage bolts (A), two spacers (J) and two 5/16" nylock nuts (G). **Make only finger tight.** Repeat for the left base bracket.

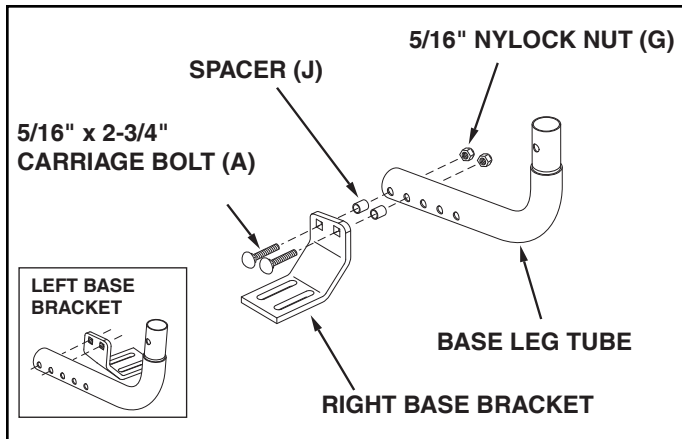


FIGURE 6

STEP 7: (SEE FIGURE 7)

- Insert the ends of the base leg tubes into the upper base tube.

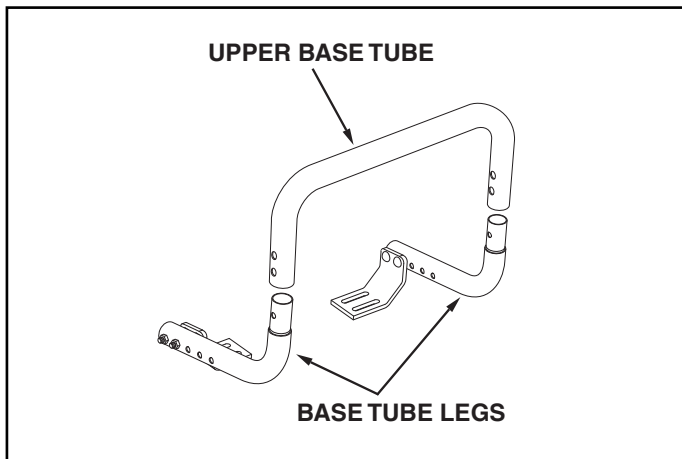


FIGURE 7

STEP 8: (SEE FIGURE 8 AND 9)

- Raise the tractor seat and remove the springs and bolts from the rear fender using a 1/2" socket for GT tractors or a 9/16" socket for LT tractors.
- Place the base tube assembly onto the rear fender. Align the front or rear slot in the base brackets with the spring mounting holes. Check for clearance with the seat lowered and the rear bagger (optional) attached. If needed, reposition the base brackets to a different set of holes in the base tubes.
- If the base leg tubes rub against the fender, attach the adhesive pads (K) to the bottom of the base leg tubes.
- Attach the seat springs and the base brackets to the rear fender using the spring bolts that you removed. On GT tractors, if the spring bolts were less than 1" long, use the 5/16" x 1" bolts (E) and 5/16" washers (H) supplied with the Sun Shade. Align the base leg tubes on the rear fender. Use a 1/2" socket (GT) or a 9/16" socket (LT) to tighten the seat spring bolts **using moderate force. Do not overtighten.** Next, **tighten** the bolts fastening the base leg tubes to the base brackets.

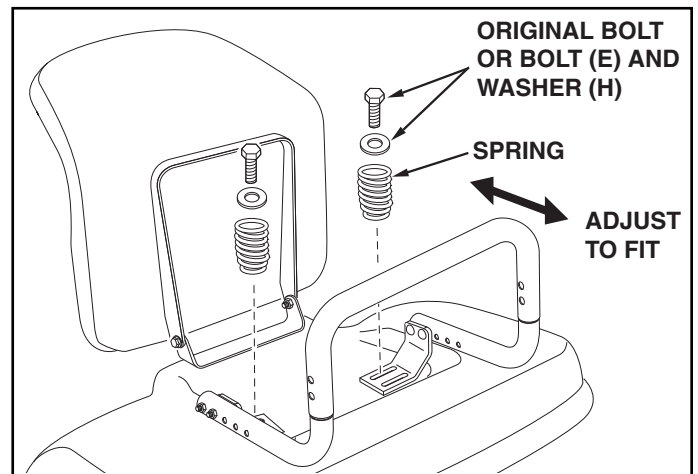


FIGURE 8

If the base tubes do not rest down against the fender:

- Attach an adhesive pad (K) to bottom of each rear support bracket. Attach the brackets to appropriate holes in base support tubes using two 5/16" x 2" carriage bolts (B) and 5/16" nylock nuts (G). Adjust brackets to support the base tubes, then **tighten**.

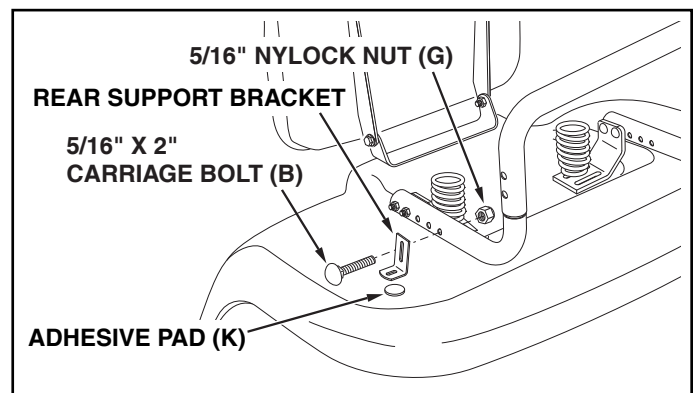


FIGURE 9

COMPLETING ASSEMBLY - ALL TRACTORS

STEP 9: (SEE FIGURE 10a or 10b)

- Assemble the upright tubes to either the top or bottom holes in the base assembly using a 5/16-18 x 2" carriage bolt (B), 5/16" flat washer (H) and plastic knob (L) for each tube. The top and bottom holes provide adjustment for the height of the sunshade.

NOTE: If holes are difficult to align, loosen bolts attaching base tubes to mounting bracket. If hole alignment is still difficult, loosen bolts attaching mounting bracket to rear fender. Retighten all bolts when finished.

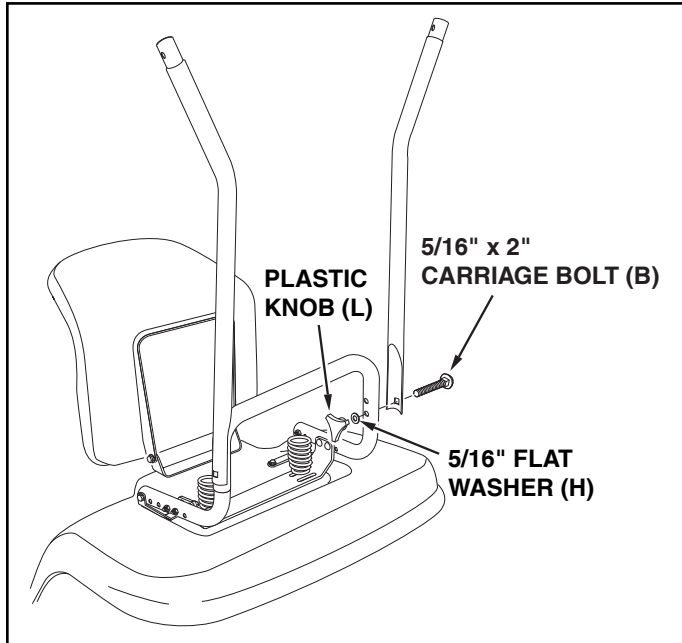


FIGURE 10a

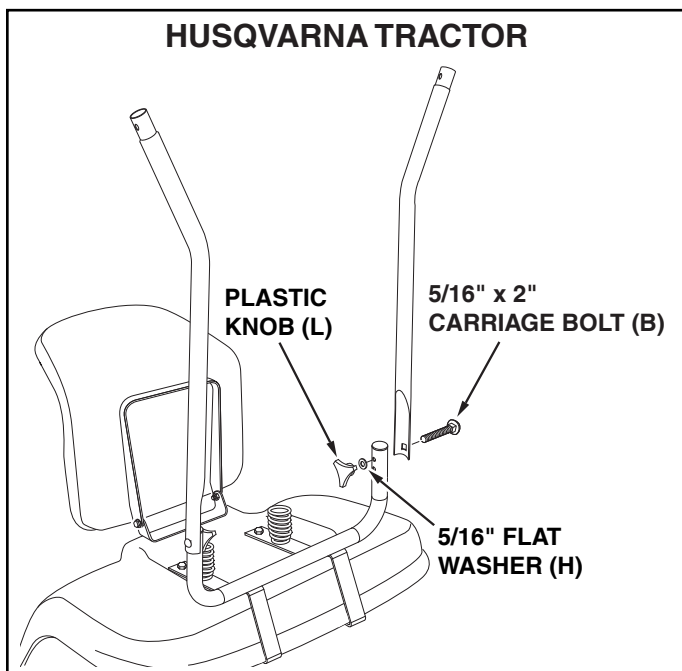


FIGURE 10b

STEP 10: (SEE FIGURE 11)

- Assemble the top tubes to the upright tubes using two 1/4" x 1-1/2" hex bolts (D) (outside) and two 1/4" nylock nuts (F) (inside). **Do not tighten yet.**
- Fit the front U-tube onto the top tubes. Fasten the tubes together using two 1/4" x 1-1/2" hex bolts (D) (outside) and two 1/4" nylock nuts (F) (inside). **Tighten all** loose bolts and nuts.
- Fit the three support rods into the holes in the top tubes, with the rods arching upward. **Do not** over bend the rods when installing.

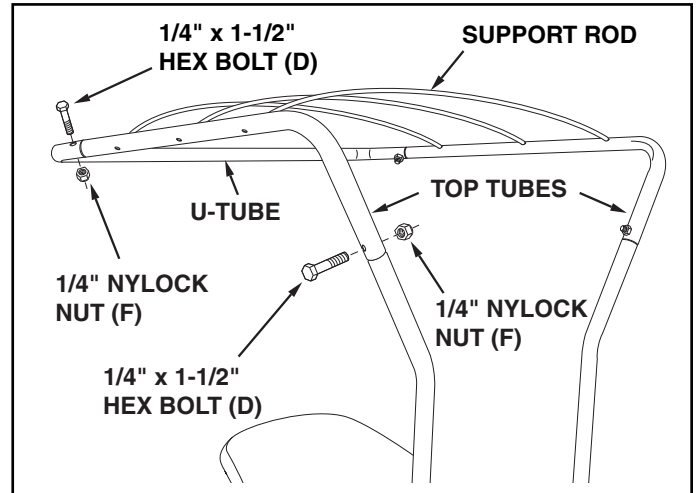


FIGURE 11

STEP 11: (SEE FIGURE 12)

- Place the vinyl canopy on top of the tubing frame, fitting the front of the vinyl canopy around the front U-tube. Secure the nylon mesh to the upright tubes using the ties located on the corners of the mesh.

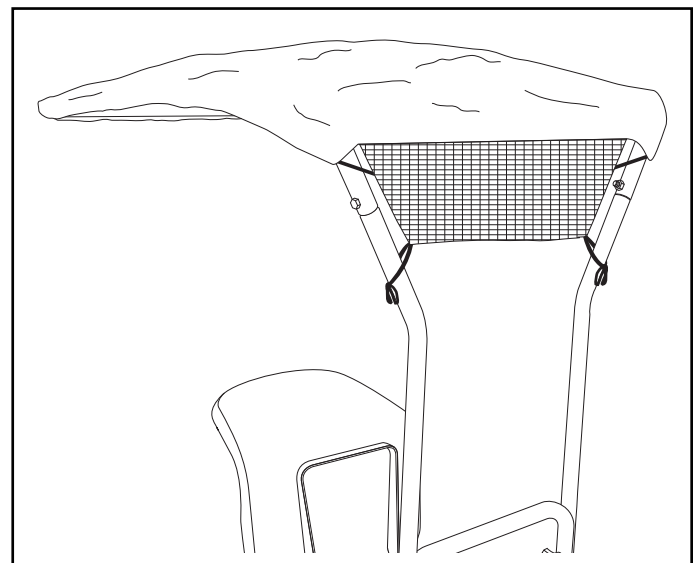


FIGURE 12

OPERATION

Read this owner's manual and safety rules before operating your tractor with the sun shade.



CAUTION: This sun shade does not provide protection against exhaust fumes, collision, rollover or other accidents.



CAUTION: Watch out for low tree limbs and other overhead objects which may interfere with the sun shade.



CAUTION: Never transport the tractor in an open truck or open trailer while the sun shade is attached.

1. Check the area of operation thoroughly before using the tractor with the sun shade. The added height of the sun shade and a reduced field of vision require extra caution during operation.
2. Remove the upper sun shade frame and canopy before you transport the tractor in an open truck or open trailer.

MAINTENANCE

CHECK FOR LOOSE FASTENERS

1. Before each use make a thorough visual check of the sun shade for any bolts and nuts which may have loosened. Retighten any loose bolts and nuts.

CLEANING

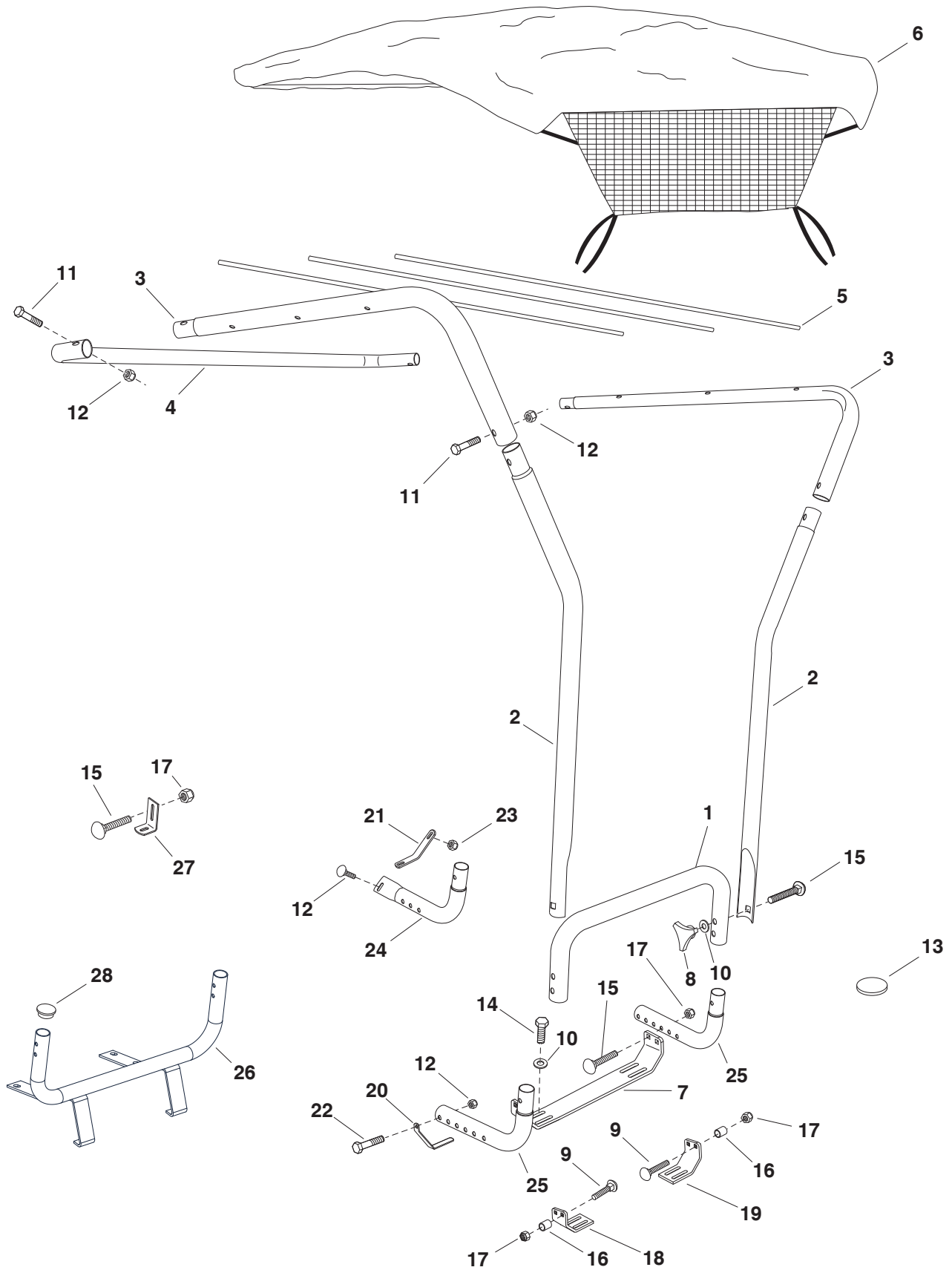
2. Wipe loose dirt and debris from the vinyl canopy after each use. The vinyl canopy can be washed using mild liquid soap and water.

STORAGE

1. Clean the vinyl canopy thoroughly with mild liquid soap and water. Allow to dry before storing.
2. Store the sun shade in a clean, dry area away from direct sun light.

NOTES

REPAIR PARTS FOR MODEL 45-03732 SUN SHADE



REPAIR PARTS FOR MODEL 45-03732 SUN SHADE

REF. NO.	PART NO.	QTY.	DESCRIPTION	REF. NO.	PART NO.	QTY.	DESCRIPTION
1	49242	1	Base Top Tube	16	23658	4	Spacer
2	25014	2	Upright Tube	17	47810	6	Nylock Nut, 5/16-18
3	25013	2	Top Tube	18	25303	1	Left Base Bracket
4	25012	1	U-Tube	19	25302	1	Right Base Bracket
5	25015	3	Support Rod	20	25794	1	Left Support Bracket
6	49609	1	Vinyl Canopy	21	25835	1	Right Support Bracket
7	25793	1	Base Bracket	22	44180	1	Hex Bolt, 5/16-18 x 2"
8	43720	2	Plastic Knob	23	43176	1	Carriage Bolt, 1/4-20 x 1"
9	46594	4	Carriage Bolt, 5/16-18 x 2-3/4"	24	40003	1	Base Leg Tube, (w/flat)
10	43081	4	Flat Washer, 5/16"	25	49325	2	Base Leg Tube
11	43648	4	Hex Bolt, 1/4-20 x 1-1/2"	26	65925	1	Base Bracket Assembly
12	47189	5	Nylock Nut, 1/4-20	27	25304	2	Rear Support Bracket
13	48661	4	Adhesive Pad	28	47674	2	Plastic Cap
14	43063	2	Hex Bolt, 5/16-18 x 1"		40496	1	Owner's Manual
15	44977	6	Carriage Bolt, 5/16-18 x 2"				

SpeedEPart *the fastest way to purchase parts* www.speedepart.com

SpeedPart *the fastest way to purchase parts* www.speedepart.com

REPAIR PARTS

Agri-Fab, Inc.
809 South Hamilton
Sullivan, IL 61951
217-728-8388
www.agri-fab.com