

Illustrated Parts List / 2008

EDGER/TRIMMER

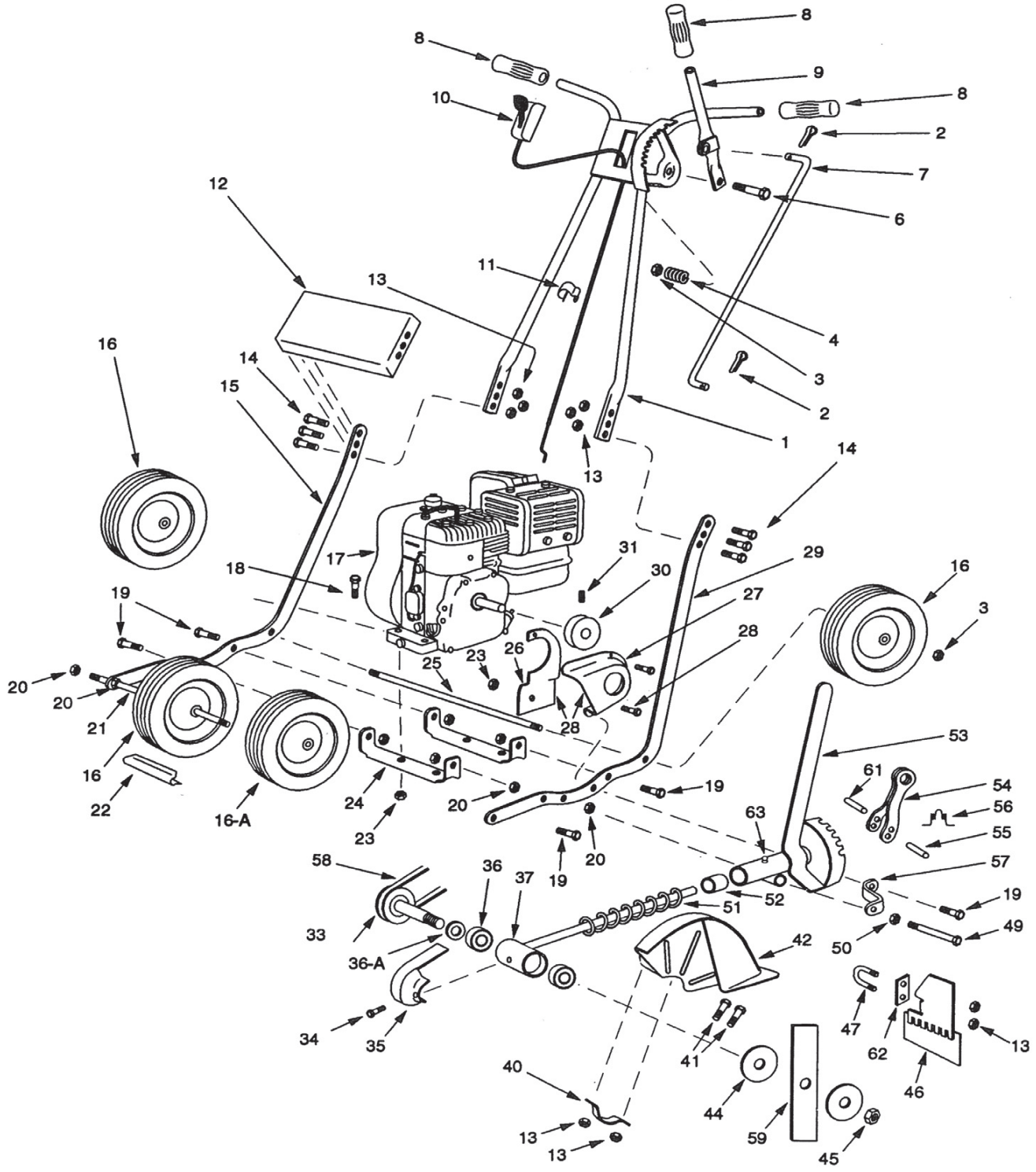
Model: LE475 / 966951101

- Specifications
- Operating
Instructions
- Maintenance
Information



 **Husqvarna**

LAWN EDGER AND TRIMMER PARTS ILLUSTRATION



LAWN EDGER AND TRIMMER PARTS LIST

REF. PART NO.	PART NO.	DESCRIPTION	REF. PART NO.	PART NO.	DESCRIPTION
1	505289901	Handle	34	505289939	Screw 1/4-20 x 1/2 Hex
2	505289902	Pin, Cotter 1/8 x 3/4 (2 Req.)	35	505289940	Cutterhead Pulley Guard
3	505289903	Nut Lock Hex 7/16" - 14 (4 Req.)	36	505289941	Cutterhead Bearing (2 Req.)
4	505289904	Spring	36A	505289943	Spring Washer (New 01/87)
6	505289905	Bolt, Hex 7/16 - 14 x 2	37	505289942	Mandrel, Head
7	505289906	Rod, Clutch & Depth	40	505289944	Clamp, Blade Guard
8	505289907	Grip (3 Req.)	41	505289945	Bolt 1/4-28 x 1-1/2 Hex (2 Req.)
9	505289908	Lever, Clutch & Depth	42	505289946	Blade Guard Main
10	505289909	Throttle Control (3 HP Ball Brg) (40-3/4)		505289947	Complete Blade Guard
11	505289910	Clip, Throttle Cable	44	505289948	Washer, Friction (2 Req.)
12	505289911	Cross Brace for Handle	45	505289949	Nut 1/2-20
13	505289912	Nut 1/4-28 Hex (10 Req.)	46	505289950	Deflector, Debris Sweep
14	505289913	Bolt 1/4-28 x 7/8 hex (6 Req.)	47	505289951	U-Clamp
15	505289914	Frame, Right Hand 8"		505289952	Complete Debris Guard
16	505289915	Hub Cap for 7" & 8" Rear Wheels	49	505289953	Pivot Bolt
	505289916	8" Rear Wheel Complete w/ Bearings, Wide Tire & Hub Cap	50	505289954	Flat Washer 7/16
	505289917	8" Rear Wheel Outside Bearing Only	51	505289955	Spring, Head Recoil
	505289918	8" Rear Wheel Inside Bearing Only. Also for 8" Front Wheel. (2 needed/front)	52	505289956	Cup
16A	505289919	8" Front Wheel Complete w/Bearing & Wide Tire	53	505289957	Body, Cutterhead
	505289920	8" Tire Only	54	505289958	Lever, Angle Shifting
	505289921	8" Rear Wheel Rim Only	55	505289959	Pin 5/16 x 2
	505289922	8" Front Wheel Rim Only	56	505289960	Spring
17	---	Engine (Briggs & Stratton Dist.)	57	505289961	Brace Cutterhead
18	505289924	Bolt 5/16-24 x 1-1/2 (4 Req.)	58	505289962	Drive Belt (4L-300)
19	505289925	Bolt 5/16-24 x 7/8 Hex (5 Req.)	59	505289963	Cutting Blade
20	505289926	Nut 7/16-14 Hex (3 Req.)	61	505289964	1-1/4 Pin
21	505289927	8" Front Axle	62	505289965	U-Clamp Spacer
22	505289928	8" Front Wheel Spacer (2-13/16" Use With 7075-7 Wheels)	63	505289966	Grease Fitting
23	505289929	Nut 5/16-24 Hex (9 Req.)		505289967	Handle and Wheel Bearing
24	505289930	8" Fram Crossmember		505289968	Cutting Head Complete (Inc. No 33,53,51,52,54,55,56,61,37,(2)63, (2)36)
25	505289931	8" Rear Axle (13-5/8") (Use with 7058 wheels)		505289969	LE475 Decal
26	505289932	Bracket, Engine Pulley Guard			
27	505289933	Guard, Engine Pulley			
28	505289934	Engine Pulley Guard & Bracket Complete			
28	505289935	Screw #10 x 1/2 Sheet Metal (4 Req.)			
29	505289936	8" Fram, Left Hand			
30	505289937	Engine Pulley			
31	525594401	Set Screw 5/16-24x5/16			
33	505289938	Cutterhead Pulley & Shaft Compl.			

NOTE: All component dimensions given in U.S. inches
1 inch = 25.4 mm