

INSTALLATION INSTRUCTIONS

72" MULCH KIT - 965 894004

IMPORTANT: BEFORE PROCEEDING, PLACE ALL CONTROLS IN THE DISENGAGED OR THE OFF POSITION, REMOVE SPARK PLUG WIRES FROM THE SPARK PLUGS.



WARNING!

Blades are sharp. Protect your hands with gloves and/or wrap blades with a heavy cloth when handling.

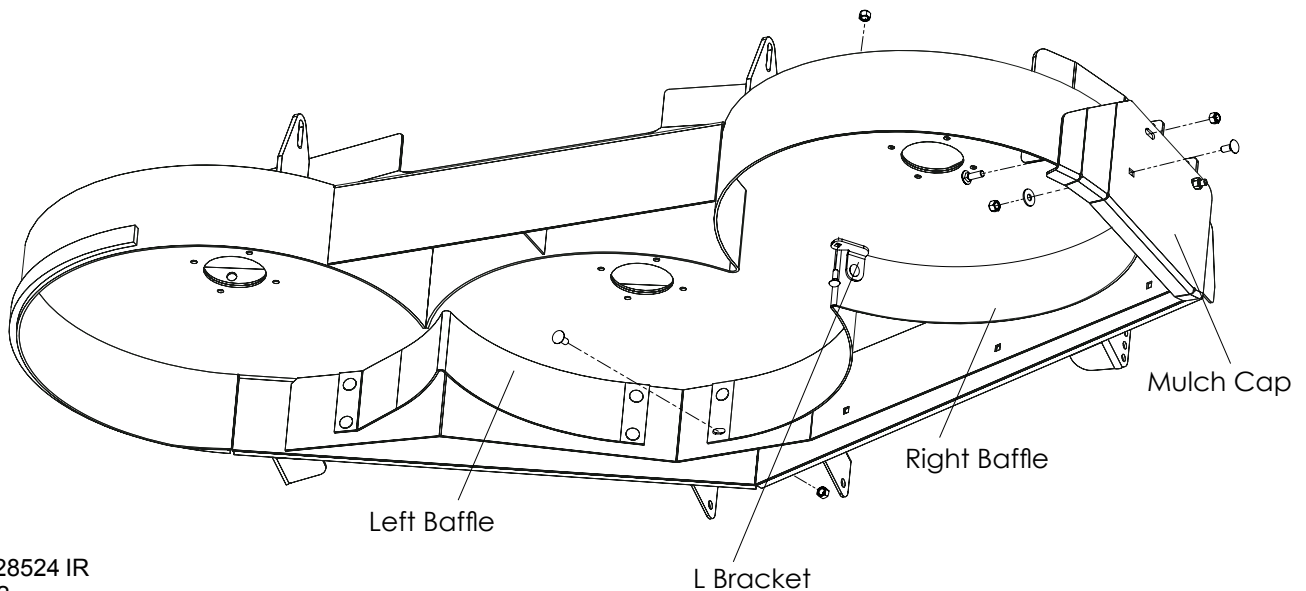


1. Block the front of the mower up to give access to the underside of the front deck. Secure with jackstands.
2. Carefully remove the cutting blades, retaining the hardware. Clean any grass out from underneath the deck. Remove and retain confinement plates (if so equipped).
3. Using hardware provided, fasten the mulch cap to the deck.
4. Attach L bracket to right baffle section. Bolt the right baffle and L bracket to the underside of the deck. Do not fully tighten hardware at this time. See illustration for orientation of hardware.
5. Align the mulch cap with the deck and right baffle and secure with hardware. Tighten hardware on right baffle.
6. Bolt the left baffle onto the underside of the deck and fasten securely.

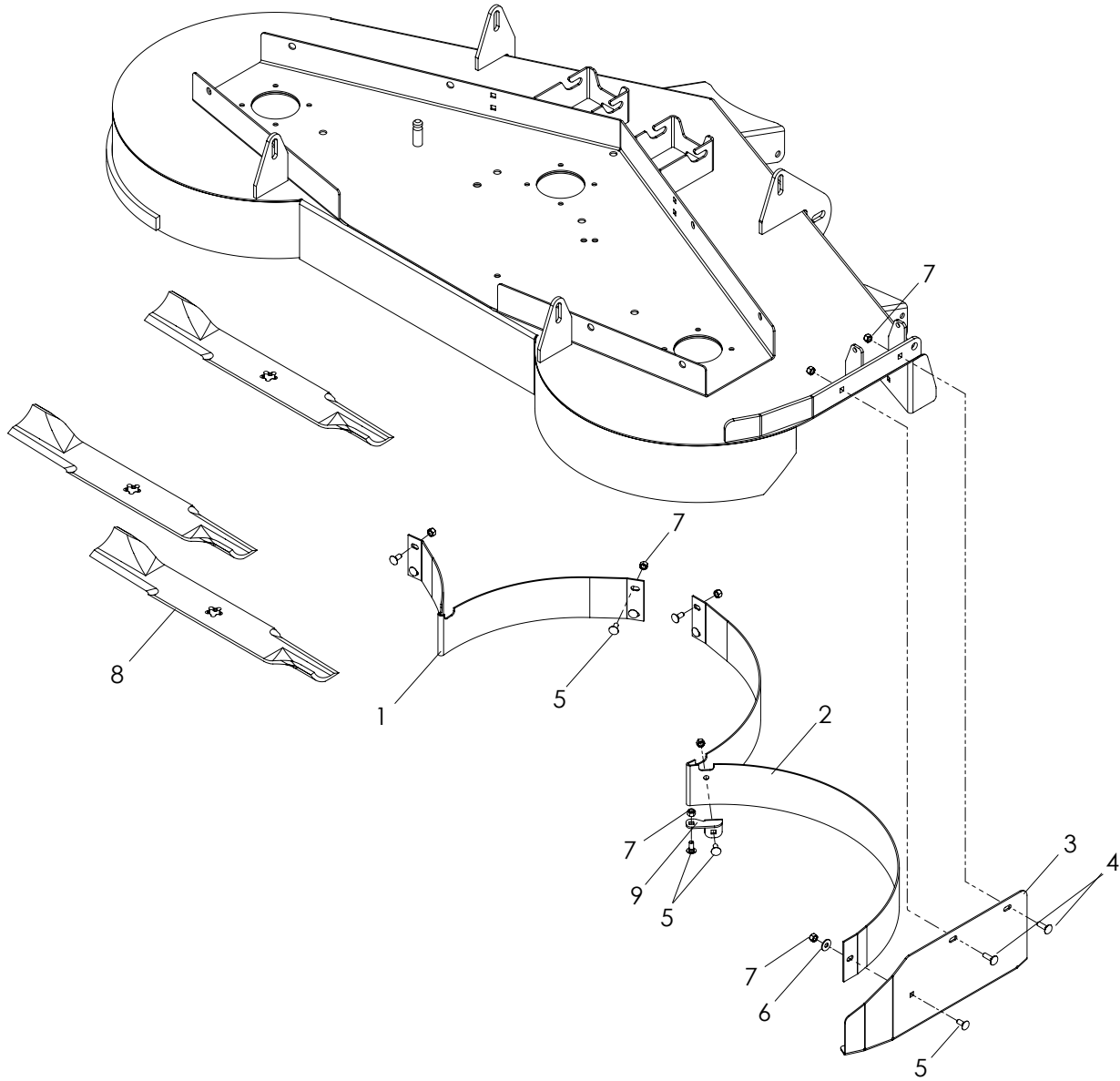
Mulching Guidelines

To ensure acceptable mulching performance:

- The length of grass to be cut in one pass should not exceed $\frac{1}{3}$ of the total grass height. Example: If the grass height is 3", the mower deck cutting height should be set at less than 2".
 - Ground speed should normally be reduced to allow clippings to be finely mulched.
 - Engine RPM should be set at maximum.
 - Blades must be kept sharp.
 - The underside of deck should be cleaned out often to prevent grass accumulation.
 - Conditions must be dry. Wet grass does not mulch well and grass accumulates under deck.
7. Install the kit mulching blades using the existing hardware (torque to 90 ft./lbs - 122 Nm.). Rotate the blades by hand and check for clearance of all baffles.
 8. Make sure all hardware is tight.
 9. Remove jackstand and blocks and return the mower to its normal position.



PARTS LIST



ITEM	PART NO.	QTY.	DESCRIPTION
1..	539 132353....1	BAFFLE, LEFT
2..	539 132355....1	BAFFLE, RIGHT
3..	539 132351....1	MULCH CAP
4..	539 990208....2	RHSNB $\frac{5}{16}$ -18 x 1 GR5
5..	539 990316....9	RHSNB $\frac{5}{16}$ -18 x $\frac{3}{4}$ GR5

ITEM	PART NO.	QTY.	DESCRIPTION
6..	539 990692....1	WASHER $\frac{5}{16}$
7..	539 990717..11	NUT $\frac{5}{16}$ -18 NYLOC
8..	522 037501....3	BLADE, 25" GATOR
9..	505 338702....1	L BRACKET