

# Husqvarna

## Parts Manual

iZC5221 / 965879101

iZC5223 / 965879201

iZ4217 / 968999703

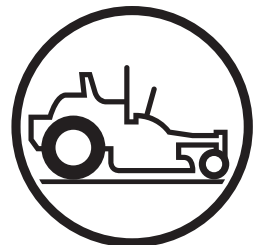
iZ4819 / 968999704

iZ4821 / 968999705

iZ5223 VAN / 968999706

iZ6125 / 968999708

Please read the operator's manual carefully and make sure you understand the instructions before using the machine.



**English**

# CONTENTS

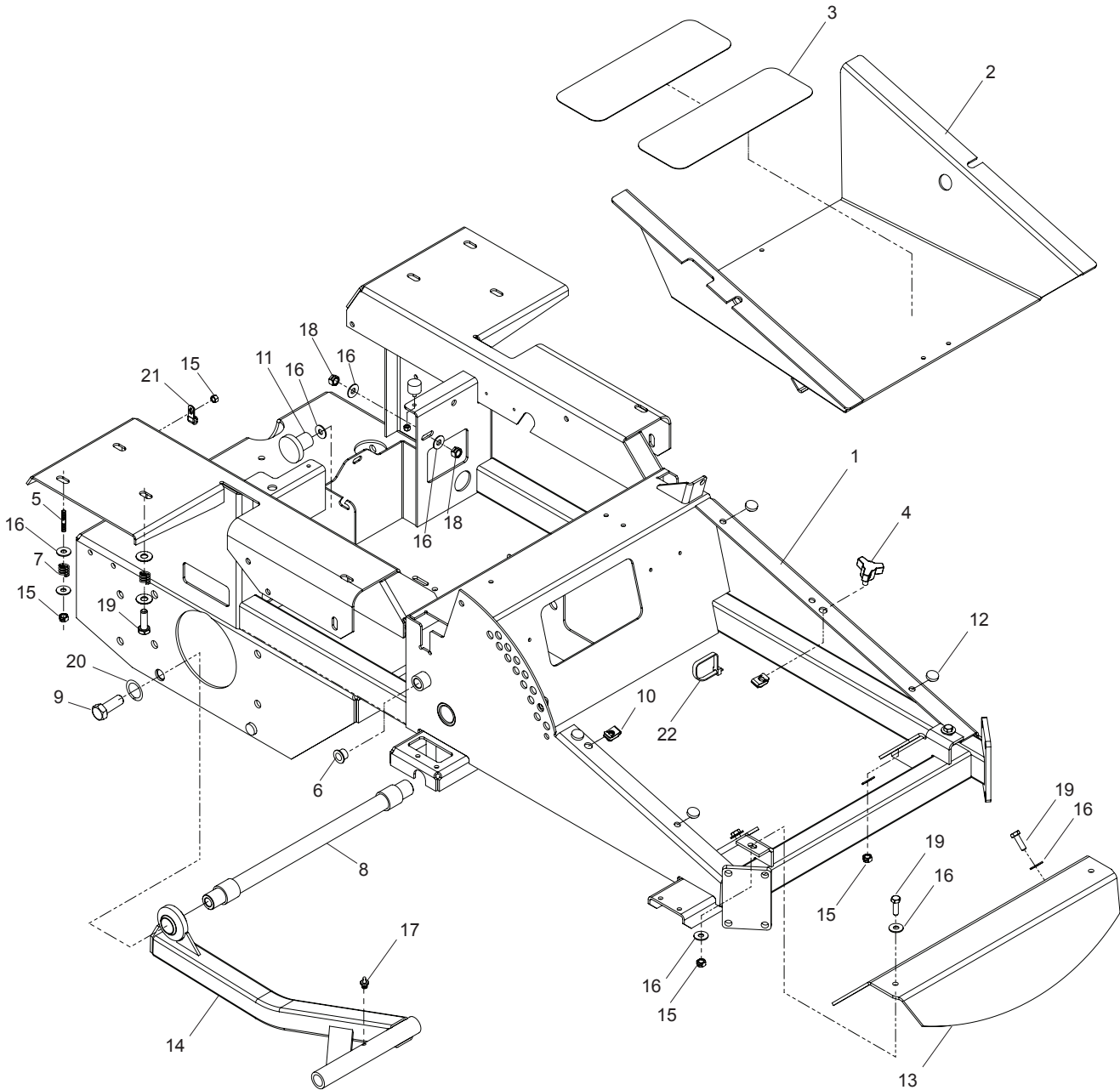
---

CHASSIS / FRAME	WHEELS & TIRES .....	26
iZ4217, iZ4819, iZ4821, iZ5223, iZ6125 .....	42" CUTTING DECK.....	28
iZC5221, iZC5223 .....	48" CUTTING DECK.....	30
ENGINE PLATE	52" CUTTING DECK.....	32
iZC5223, iZ4217, iZ4819, iZ4821, iZ6125.....	COMBI DECK.....	34
iZC5221.....	61" CUTTING DECK.....	36
iZ5223 VAN .....	FUEL SYSTEM .....	38
STEERING.....	SEAT .....	40
IGNITION SYSTEM .....	DECALS.....	42
PARKING BRAKE	PROTECTION FRAME.....	44
TE MODELS.....	ACCESSORIES .....	46
TL MODELS .....	MULCH KIT .....	46
HYDRAULIC PUMP - MOTOR.....		
MOWER LIFT / DECK LIFT .....		

NOTE: ALL FASTENERS ARE GRADE 5 UNLESS OTHERWISE SPECIFIED.

# CHASSIS / FRAME

iZ4217, iZ4819, iZ4821, iZ5223, iZ6125



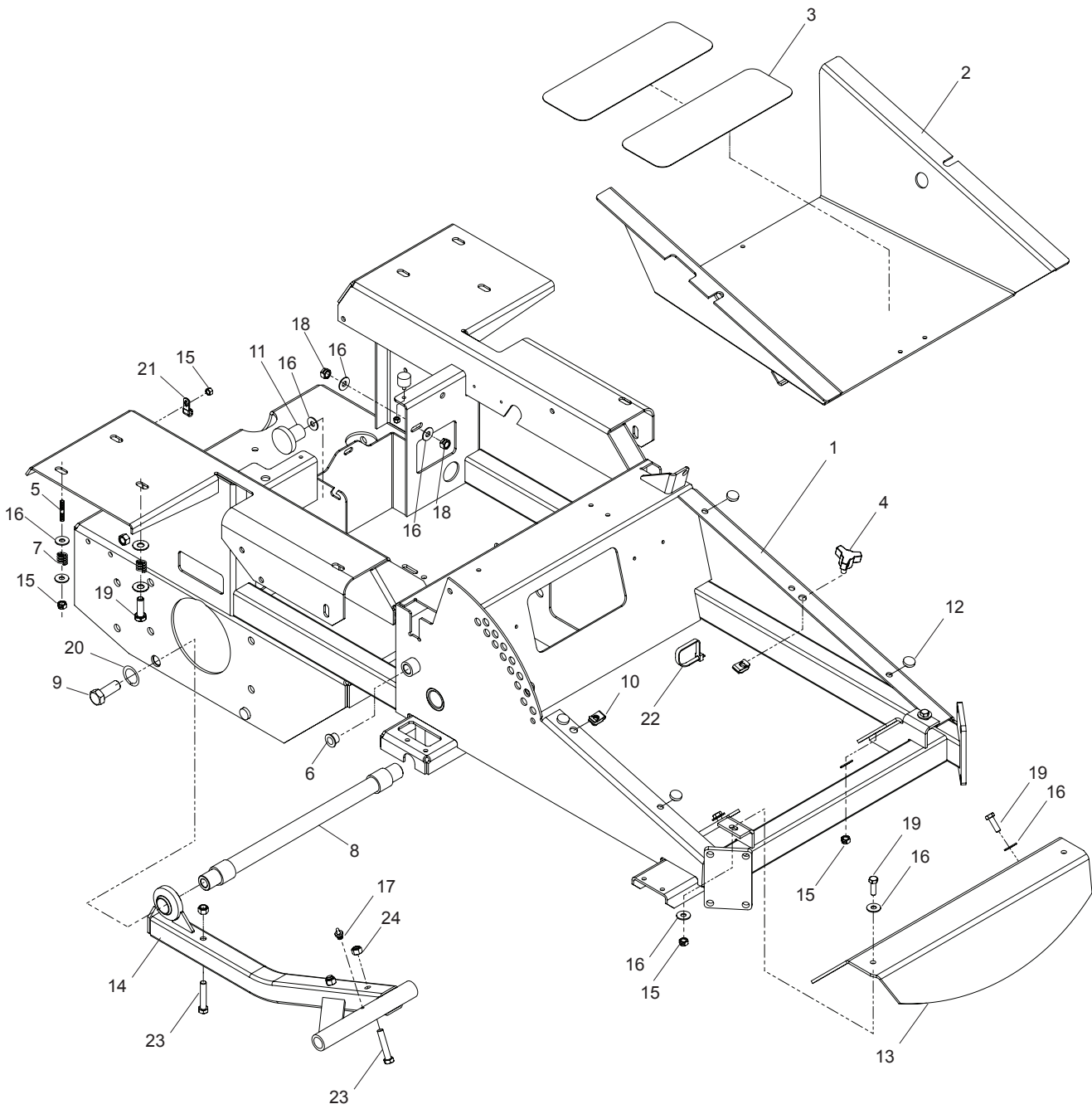
## CHASSIS / FRAME

---

ITEM	PART NO.	QTY.	DESCRIPTION	ITEM	PART NO.	QTY.	DESCRIPTION
1..	539 111098	....1	.... FRAME w/DECALS	12..	539 102587	....2	.... GROMMET, BUMPER
2..	539 111573	....1	.... FOOT PLATE w/DECALS	13..	539 106941	....1	.... FOOT REST
3..	539 977778	....3	.... PAD, ABRASIVE	14..	539 110806	....1	.... STRUT, RT
4..	539 104411	....2	.... KNOB w/STUD		539 110807	... 1	.... STRUT, LT
5..	539 102502	....6	.... TANK-STUD FUEL	15..	539 990717	..10	.... NUT <sup>5</sup> / <sub>16</sub> -18 HEX NYLOC
6..	539 102519	....2	.... BUSHING	16..	539 990692	..16	.... WASHER <sup>5</sup> / <sub>16</sub> STD FLT
7..	539 102845	....8	.... SPRING, FUEL TANK	17..	539 976998	....2	.... ZERK, STRAIGHT 1/4-28
8..	539 104197	....1	.... STRUT MOUNT	18..	539 990184	....6	.... NUT <sup>5</sup> / <sub>16</sub> -18 HEX CTRLK
9..	539 104199	....2	.... HCS <sup>5</sup> / <sub>8</sub> -11 x 2	19..	539 990209	..14	.... HCS <sup>5</sup> / <sub>16</sub> -18 x 1
10..	539 104763	....4	.... NUT <sup>5</sup> / <sub>16</sub> -18, U-TYPE	20..	539 990333	....2	.... WASHER <sup>5</sup> / <sub>8</sub> SPLIT LOCK
11..	539 105169	....1	.... KNOB	21..	539 109867	....1	.... CLAMP, DOUBLE TUBE
				22..	539 976856	....2	.... TIE, PLASTIC

# CHASSIS / FRAME

iZC5221, iZC5223



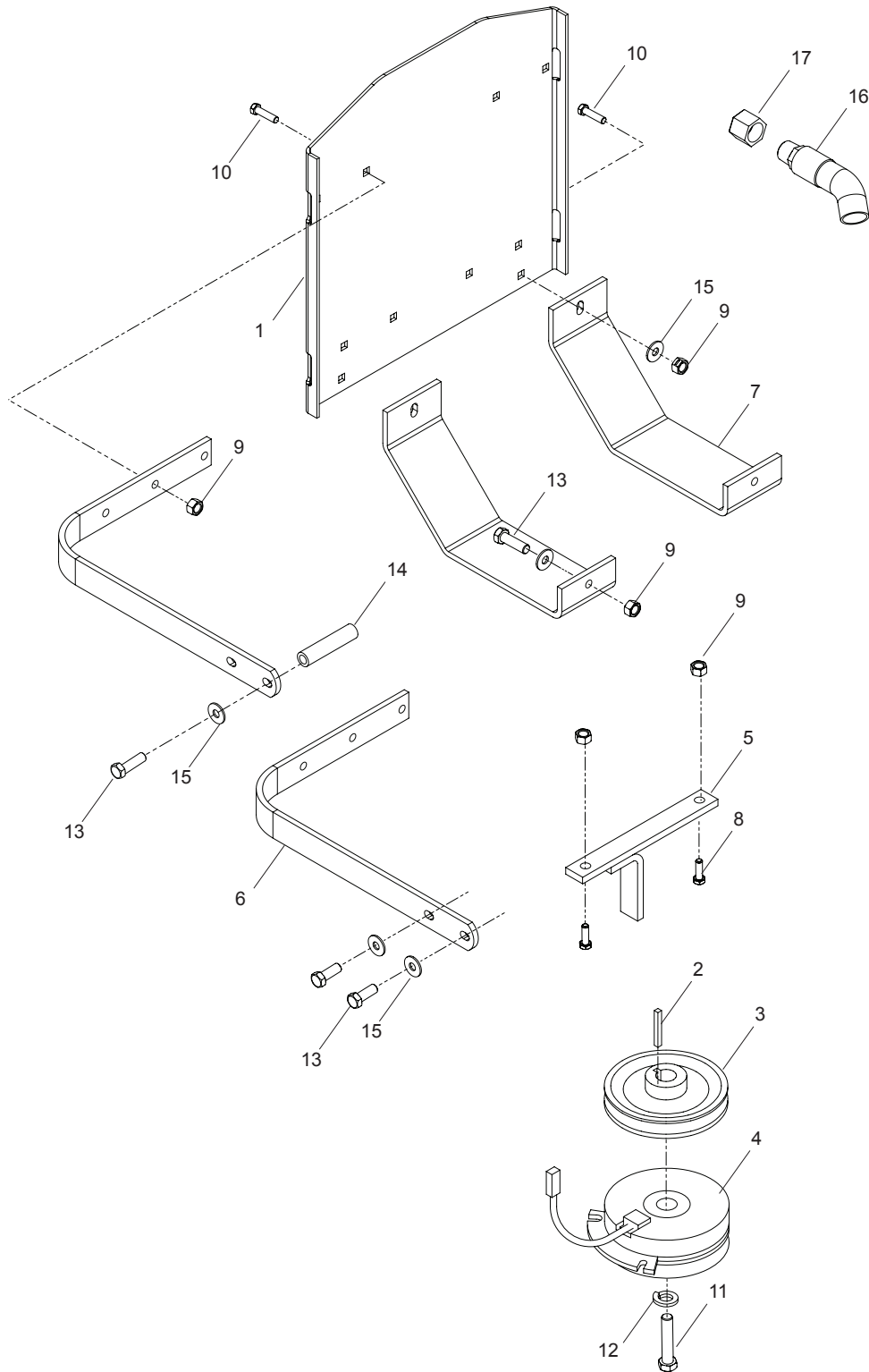
## CHASSIS / FRAME

---

ITEM	PART NO.	QTY.	DESCRIPTION	ITEM	PART NO.	QTY.	DESCRIPTION
1..	539 111098	....1	.... FRAME w/DECALS	14..	539 112647	....1	.... STRUT, RT
2..	539 111573	....1	.... FOOT PLATE w/DECALS		539 112646	... 1	.... STRUT, LT
3..	539 977778	....3	.... PAD, ABRASIVE	15..	539 990717	....6	.... NUT <sup>5</sup> / <sub>16</sub> -18 HEX NYLOC
4..	539 104411	....2	.... KNOB w/STUD	16..	539 990692	..15	.... WASHER <sup>5</sup> / <sub>16</sub> STD FLT
5..	539 102502	....6	.... TANK-STUD FUEL	17..	539 976998	....2	.... ZERK, STRAIGHT ¼-28
6..	539 102519	....2	.... BUSHING	18..	539 990184	....6	.... NUT <sup>5</sup> / <sub>16</sub> -18 HEX CTRLK
7..	539 102845	....8	.... SPRING, FUEL TANK	19..	539 990209	..14	.... HCS <sup>5</sup> / <sub>16</sub> -18 x 1
8..	539 104197	....1	.... STRUT MOUNT	20..	539 990333	....2	.... WASHER <sup>5</sup> / <sub>8</sub> SPLIT LOCK
9..	539 104199	....2	.... HCS <sup>5</sup> / <sub>8</sub> -11 x 2	21..	539 109867	....1	.... CLAMP, DOUBLE TUBE
10..	539 104763	....4	.... NUT <sup>5</sup> / <sub>16</sub> -18, U-TYPE	22..	539 976856	....2	.... TIE, PLASTIC
11..	539 105169	....1	.... KNOB	23..	539 990588	....6	.... HCS <sup>3</sup> / <sub>8</sub> -16 x 2
12..	539 102587	....2	.... GROMMET, BUMPER	24..	539 976979	....7	.... NUT <sup>3</sup> / <sub>8</sub> -16 HEX NYLOC
13..	539 106941	....1	.... FOOT REST				

# ENGINE PLATE

iZC5223, iZ4217, iZ4819, iZ4821, iZ6125



# ENGINE PLATE

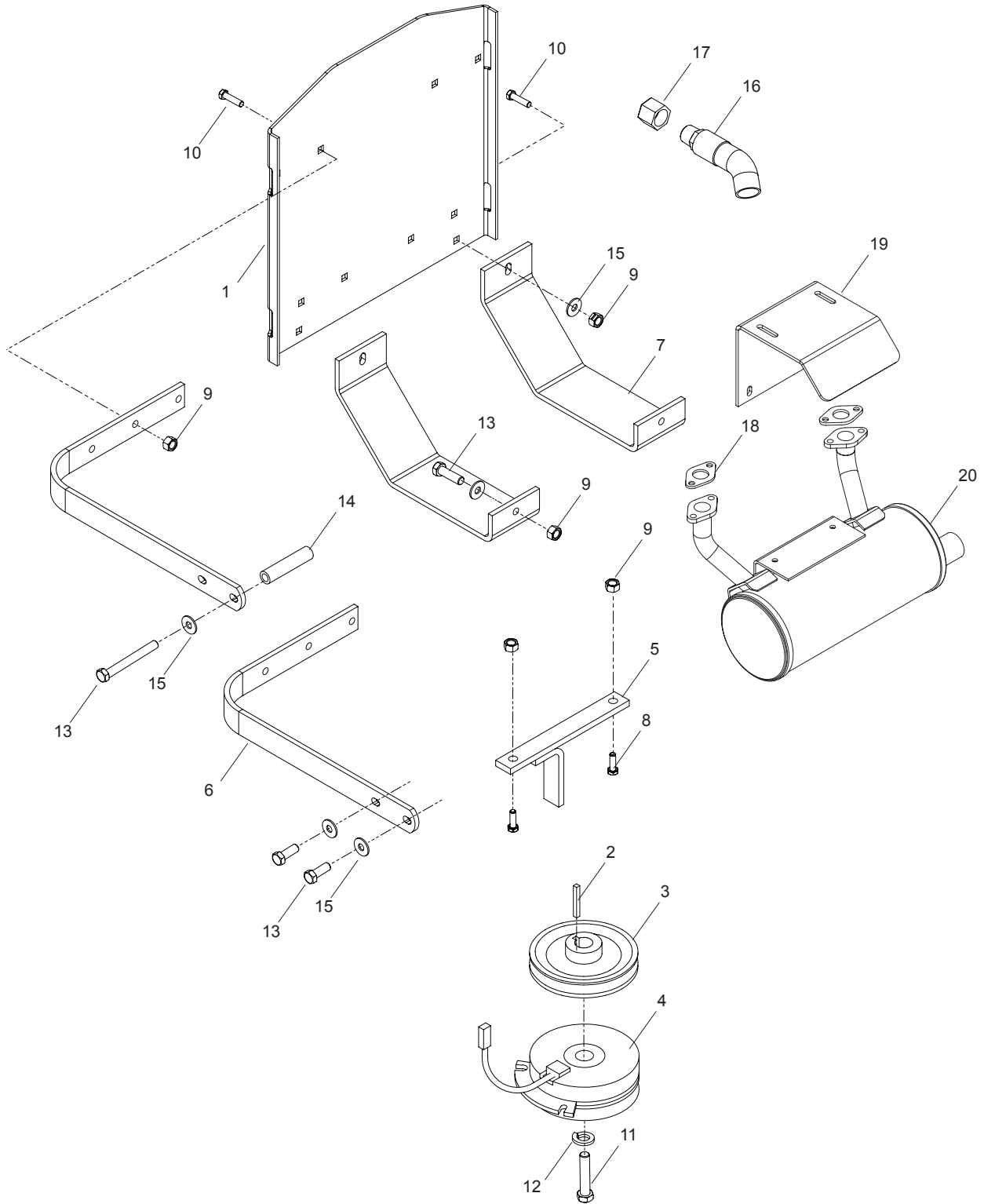
---

ITEM	PART NO.	QTY.	DESCRIPTION	ITEM	PART NO.	QTY.	DESCRIPTION
1..	539 106959....	1	GUARD, REAR	14..	539 106962....	1	SPACER iZ4217, iZ4819, iZ4821 iZC5221
2..	539 912757....	1	KEY, ¼ SQ x 1¼	15..	539 990692..	16	WASHER 5/16 STD FLT
3..	539 106992....	1	PULLEY	16..	539 101362....	1	HOSE, DRAIN iZC5221, iZC5223, iZ4821, iZ6125
	539 112774...	1	PULLEY, iZ6125	17..	539 101364....	1	PLUG, OIL iZC5221, iZC5223, iZ4821, iZ6125
4..	539 105406....	1	CLUTCH, iZ6125	NOT SHOWN			
	539 105804...	1	CLUTCH, iZ4217, iZ4819	539 105637...	1	HARNESSE, CLUTCH iZ4217, iZ4819	
	539 106880...	1	CLUTCH, iZ4821, iZC5221 iZC5223	539 104415...	1	PIGTAIL, KAWASAKI iZ4217, iZ4819, iZ4821 iZC5221	
5..	539 106819....	1	TIE DOWN, CLUTCH	539 104416...	1	PIGTAIL, KOHLER iZ6125, iZC5223	
6..	539 106961....	4	STRAP	539 108199...	1	GASKET, EXHAUST iZC5221	
7..	539 106957....	2	SKID PLATE				
8..	539 990669....	4	HCS 5/16-18 x 1¾				
9..	539 990717..	22	NUT 5/16-18 HEX NYLOC				
10..	539 107271....	8	RHSNB 5/16-18 x 1				
11..	539 991120....	1	HCS 7/16-20 x 2½				
12..	539 990247....	1	WASHER 7/16 SLW				
13..	539 990209....	1	HCS 5/16-18 x 1 iZ6125, iZC5223				
	539 102335...	1	HCS 5/16-18 x 4 iZ4217, iZ4819, iZ4821 iZC5221				



# ENGINE PLATE

iZC5221



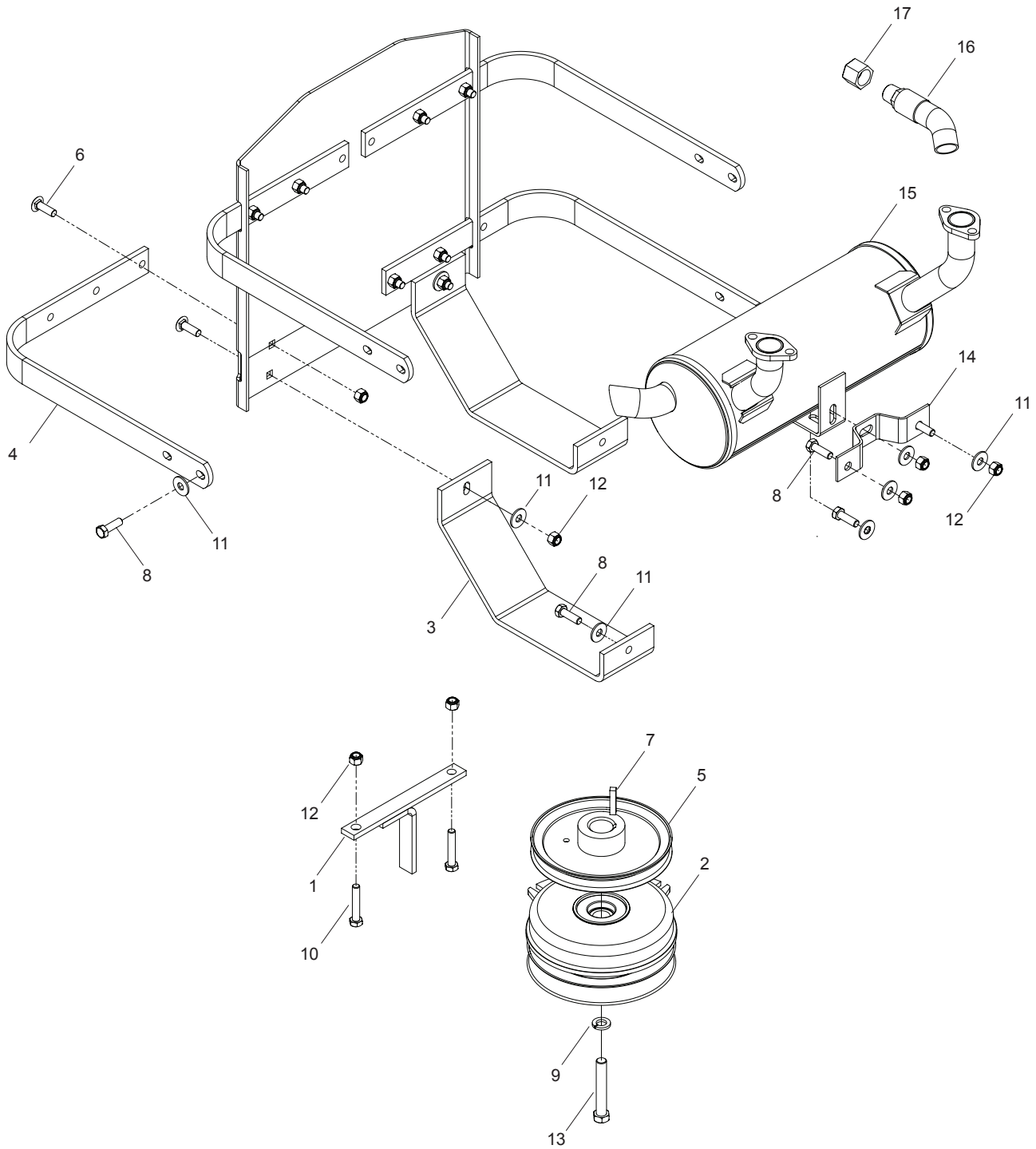
# ENGINE PLATE

---

ITEM	PART NO.	QTY.	DESCRIPTION	ITEM	PART NO.	QTY.	DESCRIPTION
1..	539 106959	....1	.... GUARD, REAR	15..	539 990692	..16	.... WASHER <sup>5</sup> / <sub>16</sub> STD FLT
2..	539 912757	....1	.... KEY, ¼ SQ x 1¼	16..	539 101362	....1	.... HOSE, DRAIN
3..	539 106992	....1	.... PULLEY	17..	539 101364	....1	.... PLUG, OIL
4..	539 106880	....1	.... CLUTCH	18..	539 108199	....2	.... GASKET, EXHAUST
5..	539 106819	....1	.... TIE DOWN, CLUTCH	19..	539 111093	....1	.... BRACKET, MUFFLER
6..	539 106961	....4	.... STRAP	20..	539 105897	....1	.... MUFFLER
7..	539 106957	....2	.... SKID PLATE				NOT SHOWN
8..	539 990669	....4	.... HCS <sup>5</sup> / <sub>16</sub> -18 x 1¾	539 105637	... 1	....	HARNES, CLUTCH iZ4217, iZ4819
9..	539 990717	..22	.... NUT <sup>5</sup> / <sub>16</sub> -18 HEX NYLOC	539 104415	... 1	....	PIGTAIL, KAWASAKI iZ4217, iZ4819, iZ4821 iZC5221
10..	539 107271	....8	.... RHSNB <sup>5</sup> / <sub>16</sub> -18 x 1	539 104416	... 1	....	PIGTAIL, KOHLER iZ6125, iZC5223
11..	539 991120	....1	.... HCS <sup>7</sup> / <sub>16</sub> -20 x 2½				
12..	539 990247	....1	.... WASHER <sup>7</sup> / <sub>16</sub> SLW				
13..	539 102335	....1	.... HCS <sup>5</sup> / <sub>16</sub> -18 x 4				
14..	539 106962	....1	.... SPACER				

# ENGINE PLATE

iZ5223 VAN

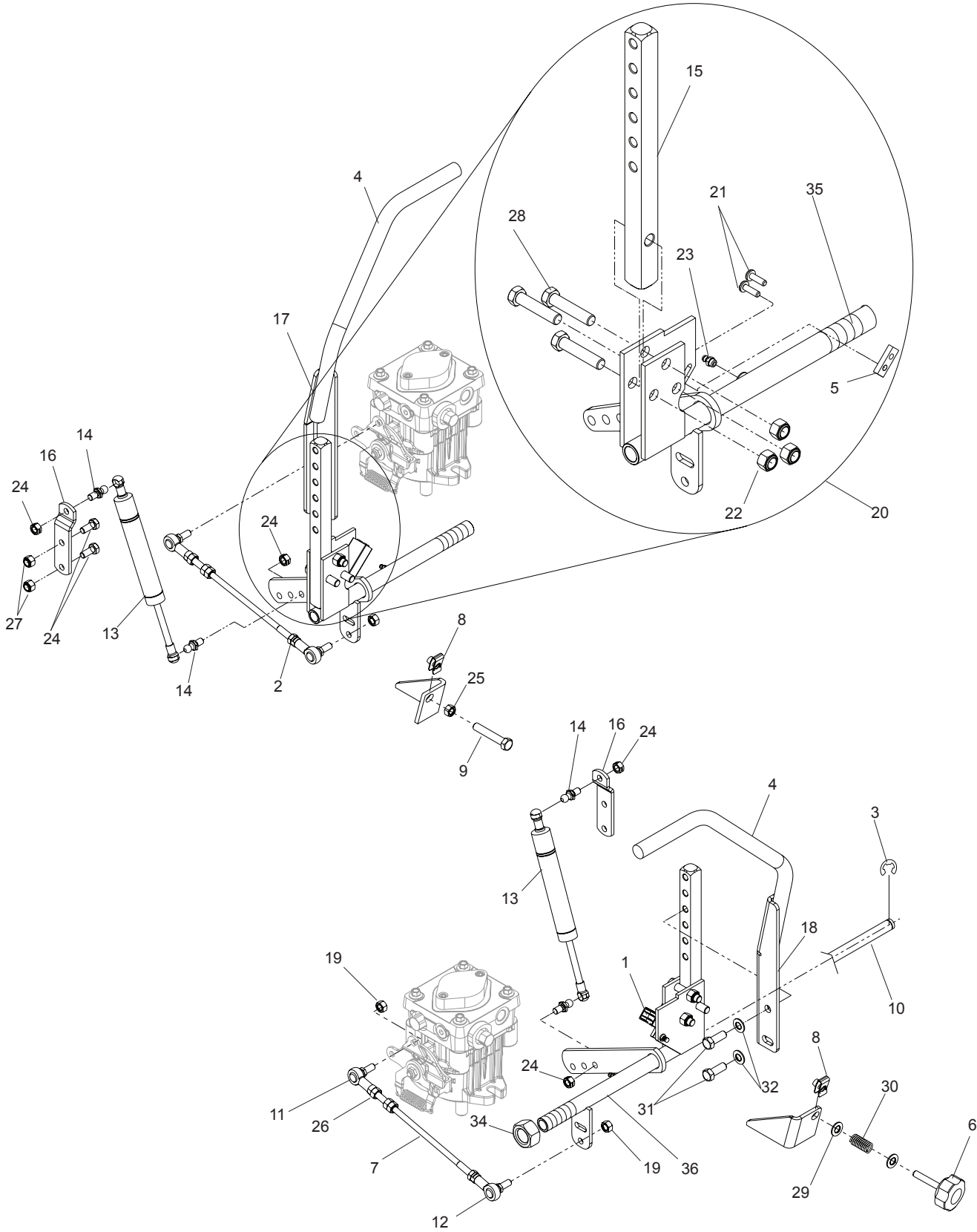


# ENGINE PLATE

---

ITEM	PART NO.	QTY.	DESCRIPTION	ITEM	PART NO.	QTY.	DESCRIPTION
1..	539 106819....	1	TIE DOWN, CLUTCH	12..	539 990717..	25	NUT $\frac{5}{16}$ -18 HEX NYLOC
2..	539 106880....	1	CLUTCH, 200 FT/LB	13..	539 110065....	1	HCS $\frac{7}{16}$ -20 x $2\frac{3}{4}$
3..	539 106957....	2	SKID PLATE	14..	539 110418....	1	BRACKET, MUFFLER
4..	539 106961....	4	STRAP, BLACK	15..	539 110419....	1	MUFFLER, VANGUARD
5..	539 106992....	1	PULLEY	16..	539 101362....	1	HOSE, DRAIN
6..	539 107271..	10	RHSNB $\frac{5}{16}$ -18 x 1	17..	539 101364....	1	PLUG, OIL
7..	539 912757....	1	KEY $\frac{1}{4}$ SQ x $1\frac{1}{4}$	NOT SHOWN			
8..	539 990209..	11	HCS $\frac{5}{16}$ -18 x 1		539 102757...	1	CABLE, POSITIVE
9..	539 990247....	1	WASHER $\frac{7}{16}$ SLW		539 107516...	1	PIGTAIL, KOHLER CV490S
10..	539 990669....	4	HCS $\frac{5}{16}$ -18 x $1\frac{3}{4}$				
11..	539 990692..	14	WASHER $\frac{5}{16}$ STD FLT				

# STEERING



# STEERING

ITEM	PART NO.	QTY.	DESCRIPTION	ITEM	PART NO.	QTY.	DESCRIPTION
1..	539 101080....2	....	SWITCH, INTERLOCK	22..	539 976979....6	....	NUT <sup>3</sup> / <sub>8</sub> -16 HEX NYLOC
2..	539 991073....2	....	NUT <sup>5</sup> / <sub>16</sub> -24 HEX HD	23..	539 976998....2	....	ZERK, STRAIGHT 1/4-28
3..	539 101949....2	....	E-RING 1/2	24..	539 990184....6	....	NUT <sup>5</sup> / <sub>16</sub> -18 HEX CTRLK
4..	539 130894....2	....	GRIP	25..	539 990196....1	....	NUT <sup>5</sup> / <sub>16</sub> -18 HEX
5..	539 102678....2	....	PLATE, TAPPED	26..	539 990223....6	....	NUT <sup>5</sup> / <sub>16</sub> -24 HEX LH
6..	539 103003....1	....	KNOB, TRACKING	27..	539 990717....4	....	NUT <sup>5</sup> / <sub>16</sub> -18 HEX NYLOC
7..	539 103264....2	....	LINKAGE	28..	539 990730....6	....	HCS <sup>3</sup> / <sub>8</sub> -16 x 1 <sup>3</sup> / <sub>4</sub>
8..	539 104763....5	....	NUT <sup>5</sup> / <sub>16</sub> -18, U-TYPE	29..	539 990692....2	....	WASHER <sup>5</sup> / <sub>16</sub> STD FLT
9..	539 108394....1	....	HCS <sup>5</sup> / <sub>16</sub> -18 x 1 <sup>3</sup> / <sub>4</sub> TAPBOLT	30..	539 111039....1	....	SPRING
10..	539 108659....1	....	CONTROL SHAFT	31..	539 990563....1	....	HCS <sup>3</sup> / <sub>8</sub> -16 x 1
11..	539 110603....2	....	SPHERICAL ROD END, RT	32..	539 102593....4	....	WASHER <sup>3</sup> / <sub>8</sub> DISK SPRING
12..	539 110604....2	....	SPHERICAL ROD END, LT	33..	539 976934....4	....	HCS <sup>5</sup> / <sub>16</sub> -18 x <sup>3</sup> / <sub>4</sub>
13..	539 131932....2	....	DAMPENER	34..	539 990820....2	....	NUT <sup>3</sup> / <sub>4</sub> -16 CENTERLOCK
14..	539 110607....4	....	BALL STUD	35..	539 111030....1	....	DRIVE CONTROL, RT iZC5221, iZC5223
15..	539 110638....2	....	ARM, CONTROL SHAFT		539 131336... 1.....	....	DRIVE CONTROL, RT iZ4217, iZ4819, iZ4821, iZ5223, iZ6125
16..	539 110811....2	....	ARM, DAMPENER				
17..	539 131623....1	....	DRIVE LEVER, RT w/GRIP				
18..	539 131622....1	....	DRIVE LEVER, LT w/GRIP	36..	539 111031....1	....	DRIVE CONTROL, LT iZC5221, iZC5223
19..	539 110943....4	....	NUT <sup>5</sup> / <sub>16</sub> -24 NYLOC		539 131337... 1.....	....	DRIVE CONTROL, RT iZ4217, iZ4819, iZ4821, iZ5223, iZ6125
20..	539 130512....1	....	DRIVE CONTROL ASSM, RT iZC5221, iZC5223				
	539 130703... 1.....	....	DRIVE CONTROL ASSM, RT iZ4217, iZ4819, iZ4821, iZ5223, iZ6125				
	539 130513... 1.....	....	DRIVE CONTROL ASSM, LT iZC5221, iZC5223				
	539 130704... 1.....	....	DRIVE CONTROL ASSM, LT iZ4217, iZ4819, iZ4821, iZ5223, iZ6125				
21..	539 976952....4	....	SCREW 10-24 x <sup>5</sup> / <sub>8</sub>				



# IGNITION SYSTEM

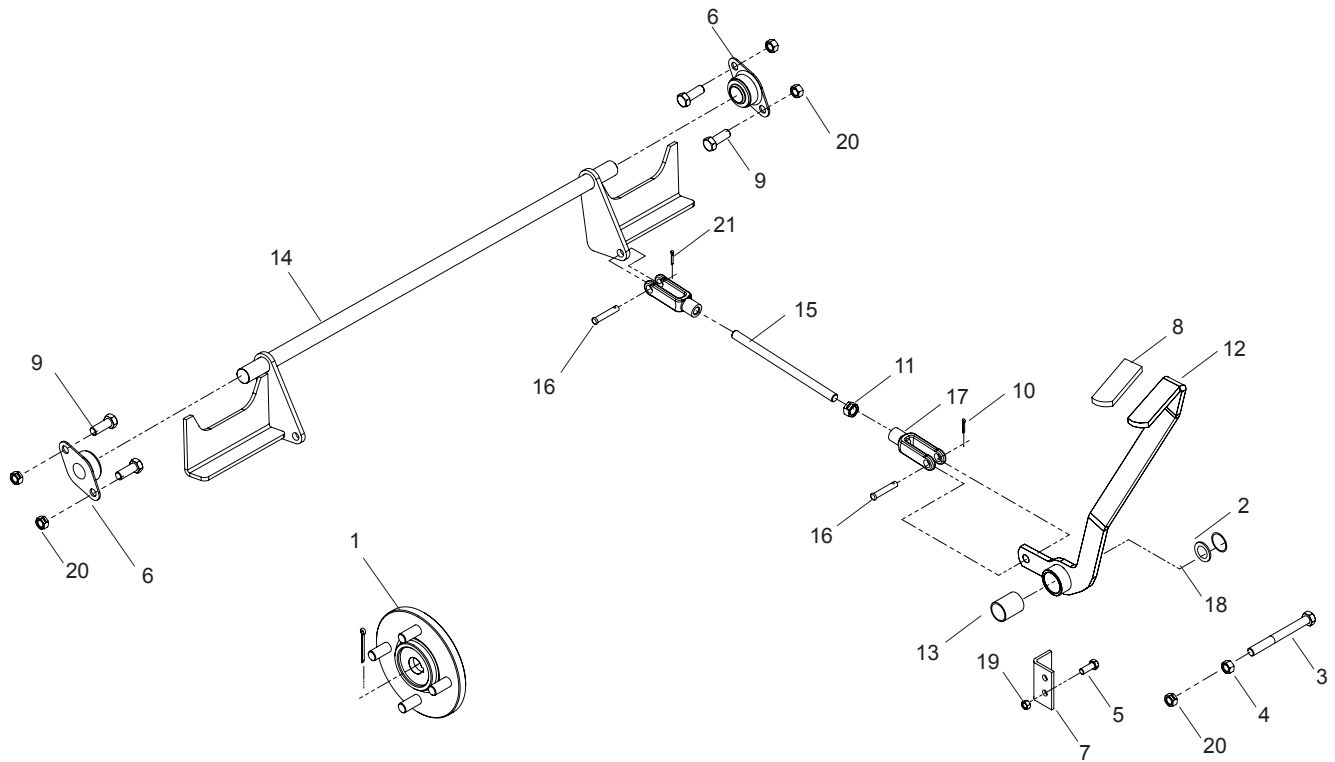
---

ITEM	PART NO.	QTY.	DESCRIPTION	ITEM	PART NO.	QTY.	DESCRIPTION
1..	539 110953	....1	.... CONSOLE	17..	539 130208	....1	.... CONTROL, CHOKE
2..	539 131627	....1	.... SWITCH, PTO 10 AMP		539 130207	... 1	.... CONTROL, CHOKE iZ6125
3..	539 103275	....1	.... CABLE, THROTTLE	18..	539 105169	....1	.... KNOB
4..	539 990362	....4	.... SCREW ¼-20 x 5/8 SLF TAP	19..	539 102436	....1	.... BATTERY, DRY
5..	539 990052	....4	.... WASHER, ¼ SPLIT LOCK	20..	539 103306	....1	.... CABLE, POSITIVE
6..	539 976977	....2	.... NUT #10-24 HEX NYLOC	21..	539 113791	....1	.... HARNESS
7..	539 990411	....2	.... HCS #10-24 x ½	22..	539 110815	....2	.... CLIP, WIRE
8..	539 107541	....1	.... SWITCH, IGNITION	23..	539 113792	....1	.... SWITCH, BRAKE
9..	539 110074	....1	.... HOUR METER	24..	539 106899	....1	.... HOLD DOWN, BATTERY
10..	539 107544	....1	.... KEY, IGNITION	25..	539 101714	....1	.... SOLENOID iZC5221, iZ4217, iZ4819, iZ4821, iZ5223 VAN
11..	539 990598	....4	.... WASHER, ¼ FLAT	26..	539 976978	....4	.... NUT ¼-20 HEX NYLOC
12..	539 102617	....2	.... SCREW #10-24 x 7/8 SLT HD	27..	539 990072	....2	.... HCS ¼-20 x 5/8
13..	539 976934	....2	.... HCS 5/16-18 x ¾	28..	539 990053	....2	.... WASHER ¼ INT TOOTH
14..	539 990717	....2	.... NUT 5/16-18 HEX NYLOC				
15..	539 102758	....1	.... CABLE, NEGATIVE				
16..	539 102759	....4	.... INSULATOR, BATTERY				



# PARKING BRAKE

TE MODELS  
iZ4217, iZ4819



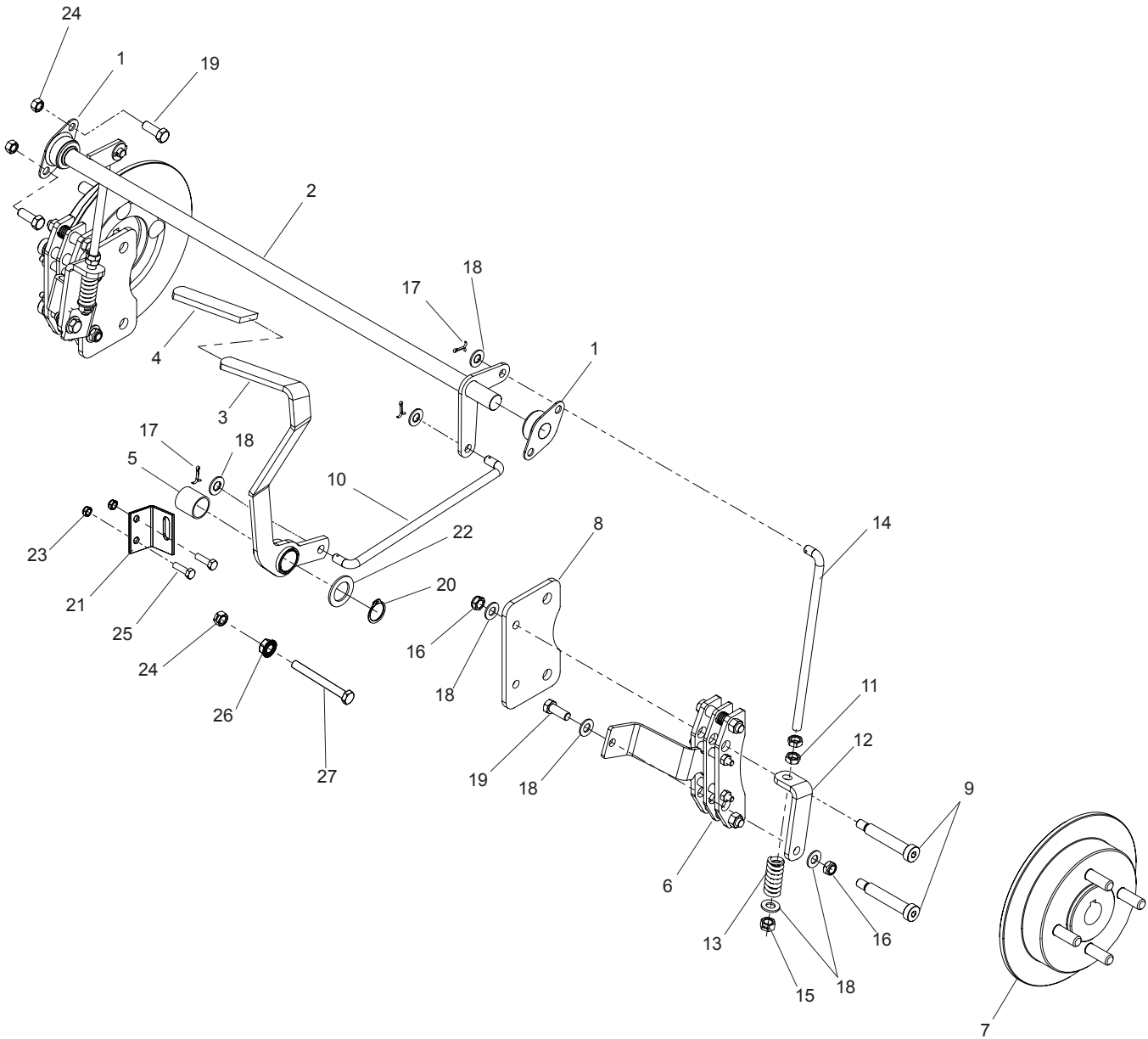
# PARKING BRAKE

---

ITEM	PART NO.	QTY.	DESCRIPTION	ITEM	PART NO.	QTY.	DESCRIPTION
1..	539 101109....	2	HUB	11..	539 990155....	1	NUT $\frac{3}{8}$ -24 HEX NYLOC GR2
2..	539 101151....	1	RING, RETAINING EXT $\frac{7}{8}$	12..	539 108616....	1	BRAKE LEVER
3..	539 990637....	1	HCS $\frac{3}{8}$ -16 x $2\frac{1}{2}$	13..	539 108619....	1	BUSHING
4..	539 990613....	1	NUT $\frac{3}{8}$ -16 WHIZLK	14..	539 108621....	1	BRAKE CROSS SHAFT
5..	539 990580....	2	HCS $\frac{1}{4}$ -20 x $\frac{3}{4}$	15..	539 108637....	1	LINKAGE
6..	539 102797....	2	BEARING, FLANGED	16..	539 977703....	2	PIN, CLEVIS $\frac{3}{8}$ x $1\frac{1}{8}$
7..	539 105029....	1	BRACKET	17..	539 977465....	2	YOKE $\frac{3}{8}$ -24
8..	539 105036....	1	GRIP, PARK BRAKE	18..	539 923787....	1	BUSHING
9..	539 990563....	4	HCS $\frac{3}{8}$ -16 x 1	19..	539 976978....	2	NUT $\frac{1}{4}$ -20 HEX NYLOC
10..	539 990365....	2	PIN, COTTER $\frac{1}{8}$ x $\frac{3}{4}$	20..	539 976979....	5	NUT $\frac{3}{8}$ -16 HEX NYLOC

# PARKING BRAKE

TL MODELS  
iZC5221, iZC5223, iZ4821, iZ5223 VAN, iZ6125

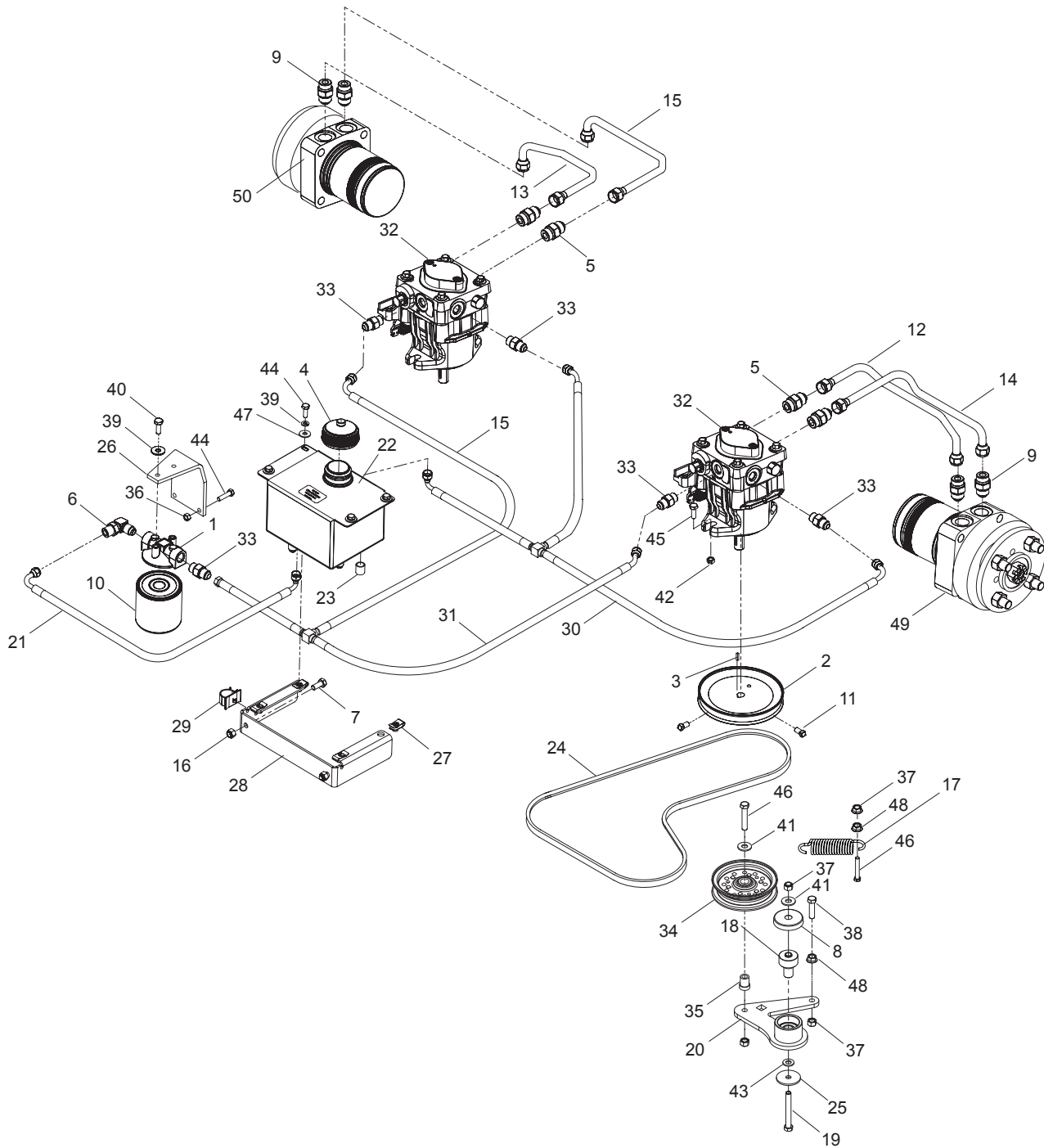


# PARKING BRAKE

---

ITEM	PART NO.	QTY.	DESCRIPTION	ITEM	PART NO.	QTY.	DESCRIPTION
1..	539 102797....	2	BEARING, FLANGED	15..	539 990289....	1	NUT $\frac{3}{8}$ -24 CENTERLOCK
2..	539 106969....	1	CROSS, SHAFT BRAKE	16..	539 200282....	2	NUT $\frac{3}{8}$ -16 THIN NYLOC
3..	539 108616....	1	LEVER, BRAKE	17..	539 990037....	3	PIN COTTER, $\frac{3}{32}$ x $\frac{3}{4}$
4..	539 105036....	1	GRIP, PARK BRAKE	18..	539 990122....	7	WASHER $\frac{3}{8}$ SAE FLT
5..	539 108619....	1	BUSHING	19..	539 990563....	6	HCS $\frac{3}{8}$ -16 x 1
6..	539 133047....	2	CALIPER	20..	539 101151....	1	RING, RETAINING EXT $\frac{7}{8}$
7..	539 113945....	2	HUB	21..	539 114803....	1	BRACKET
8..	539 113948....	2	PLATE, BRAKE	22..	539 923787....	1	BUSHING
9..	539 113951....	4	SCREW, $\frac{3}{8}$ -16 x 2 $\frac{1}{2}$ , SKT	23..	539 976978....	2	NUT $\frac{1}{4}$ -20 HEX NYLOC
10..	539 113954....	1	LINKAGE, BRAKE	24..	539 976979....	5	NUT $\frac{3}{8}$ -16 HEX NYLOC
11..	539 108732....	2	NUT $\frac{3}{8}$ -24, JAM	25..	539 990580....	2	HCS $\frac{1}{4}$ -20 x $\frac{3}{4}$
12..	539 113950....	1	L BRACKET	26..	539 990613....	1	NUT $\frac{3}{8}$ -16 WHIZLK
13..	539 113952....	1	SPRING	27..	539 990637....	1	HCS $\frac{3}{8}$ -16 x 2 $\frac{1}{2}$
14..	539 113955....	1	LINKAGE, REAR BRAKE				

# HYDRAULIC PUMP - MOTOR

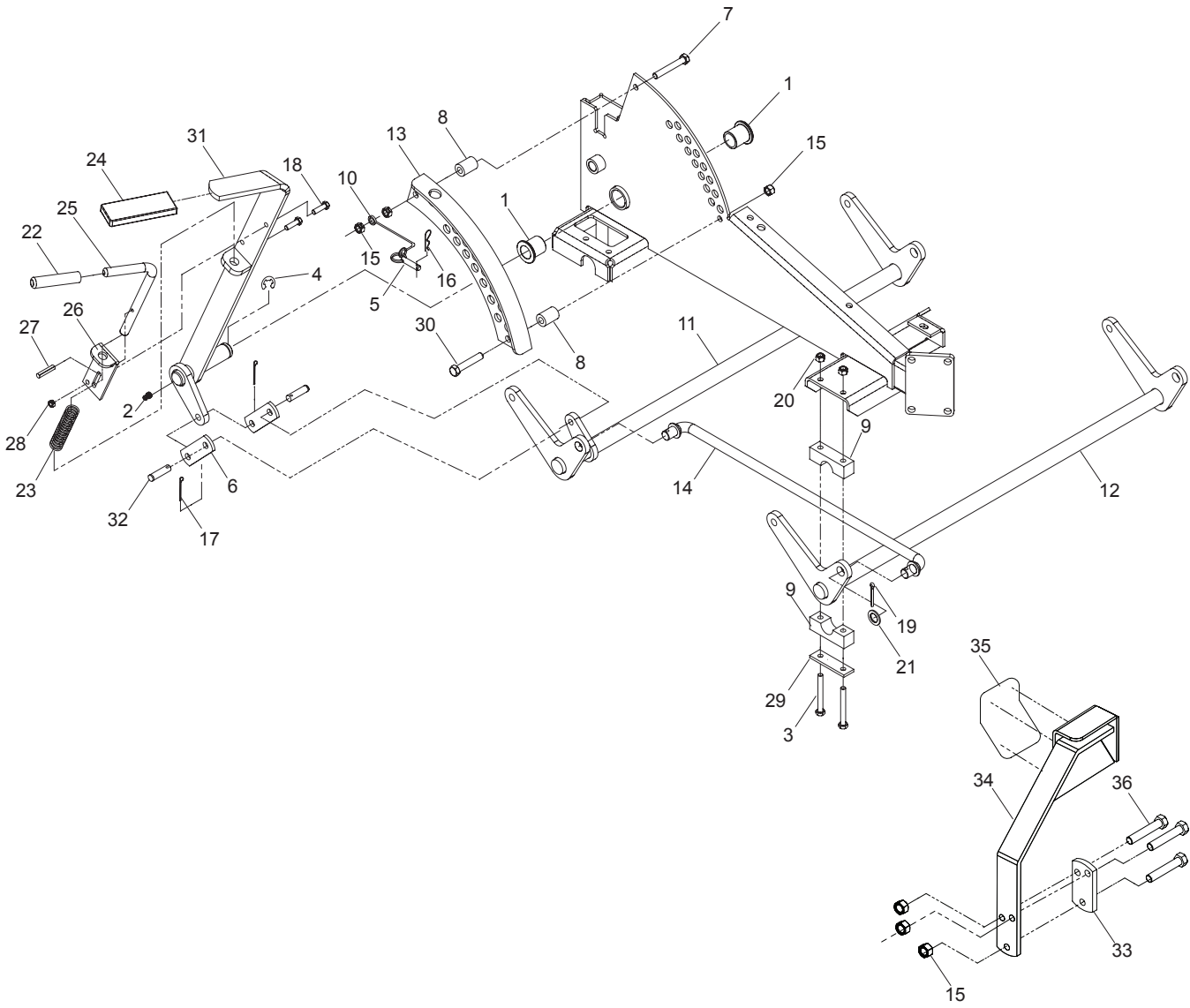


# HYDRAULIC PUMP - MOTOR

---

ITEM	PART NO.	QTY.	DESCRIPTION	ITEM	PART NO.	QTY.	DESCRIPTION
1..	539 101165	....1	.... FILTER HEAD	28..	539 110814	....1	.... MOUNT, TANK
2..	539 101176	....2	.... PULLEY	29..	539 110815	....1	.... CLIP, WIRE
3..	539 101177	....2	.... KEY, 5MM SQ x 30MM	30..	539 132315	....1	.... T ASSEMBLY
4..	539 101202	....1	.... CAP, HYDRO RESERVOIR	31..	539 132314	....1	.... T ASSEMBLY
5..	539 101237	....4	.... FITTING, F6400-8-8-0	32..	539 132144	....2	.... PUMP, 10CC w/RTN'S
6..	539 101238	....1	.... FITTING, F6801-6-6-0	33..	539 113782	....5	.... FITTING, HYDRAULIC
7..	539 976934	....2	.... HCS $\frac{5}{16}$ -18 x $\frac{3}{4}$	34..	539 976688	....1	.... PULLEY, IDLER
8..	539 114662	....1	.... SHIELD, DUST $\frac{1}{2}$ ID	35..	539 976695	....1	.... BUSHING, FLANGE IDLER
9..	539 102396	....4	.... STRAIGHT FITTING	36..	539 976978	....4	.... NUT $\frac{1}{4}$ -20 HEX NYLOC
10..	539 102606	....1	.... FILTER ELEMENT	37..	539 976979	....5	.... NUT $\frac{3}{8}$ -16 HEX NYLOC
11..	539 102717	....4	.... SCREW $\frac{5}{16}$ -18 x $\frac{5}{8}$	38..	539 990655	....1	.... HCS $\frac{3}{8}$ -16 x $1\frac{1}{2}$
12..	539 132309	....1	.... HYDRAULIC LINE	39..	539 990052	....6	.... WASHER, $\frac{1}{4}$ SPLIT LOCK
13..	539 132310	....1	.... HYDRAULIC LINE	40..	539 990072	....2	.... HCS $\frac{1}{4}$ -20 x $\frac{5}{8}$
14..	539 132311	....1	.... HYDRAULIC LINE	41..	539 990517	....2	.... WASHER $\frac{3}{8}$ FLAT STD
15..	539 132312	....1	.... HYDRAULIC LINE	42..	539 990546	....5	.... NUT $\frac{3}{8}$ -16 CENTERLOCK
16..	539 990717	....4	.... NUT $\frac{5}{16}$ -18 HEX NYLOC	43..	539 990122	....1	.... WASHER $\frac{3}{8}$ SAE FLT
17..	539 103256	....1	.... SPRING, EXTENSION	44..	539 990580	....8	.... HCS $\frac{1}{4}$ -20 x $\frac{3}{4}$
18..	539 130205	....1	.... BEARING, PIVOT	45..	539 990582	....4	.... HCS $\frac{3}{8}$ -16 x 1 WHIZLK
19..	539 101341	....1	.... HCS $\frac{3}{8}$ -16 x 3	46..	539 990588	....2	.... HCS $\frac{3}{8}$ -16 x 2
20..	539 130392	....1	.... ARM, IDLER	47..	539 990598	....8	.... WASHER $\frac{1}{4}$
21..	539 132313	....1	.... HOSE	48..	539 990613	....2	.... NUT $\frac{3}{8}$ -16 WHIZLK
22..	539 105024	....1	.... TANK, OIL	49..	539 110823	....2	.... WHEEL MOTOR iZC5221, iZC5223, iZ4821, iZ5223 VAN, iZ6125
23..	539 105168	....1	.... CAP				
24..	510 201401	....1	.... BELT, PUMP	539 103527	... 2	.... WHEEL MOTOR iZ4217, iZ4819	
25..	539 111897	....1	.... WASHER $\frac{3}{8}$ SPECIAL				
26..	539 106933	....1	.... BRACKET, OIL FILTER				
27..	539 110813	....4	.... RETAINER, U TYPE				

# MOWER LIFT / DECK LIFT

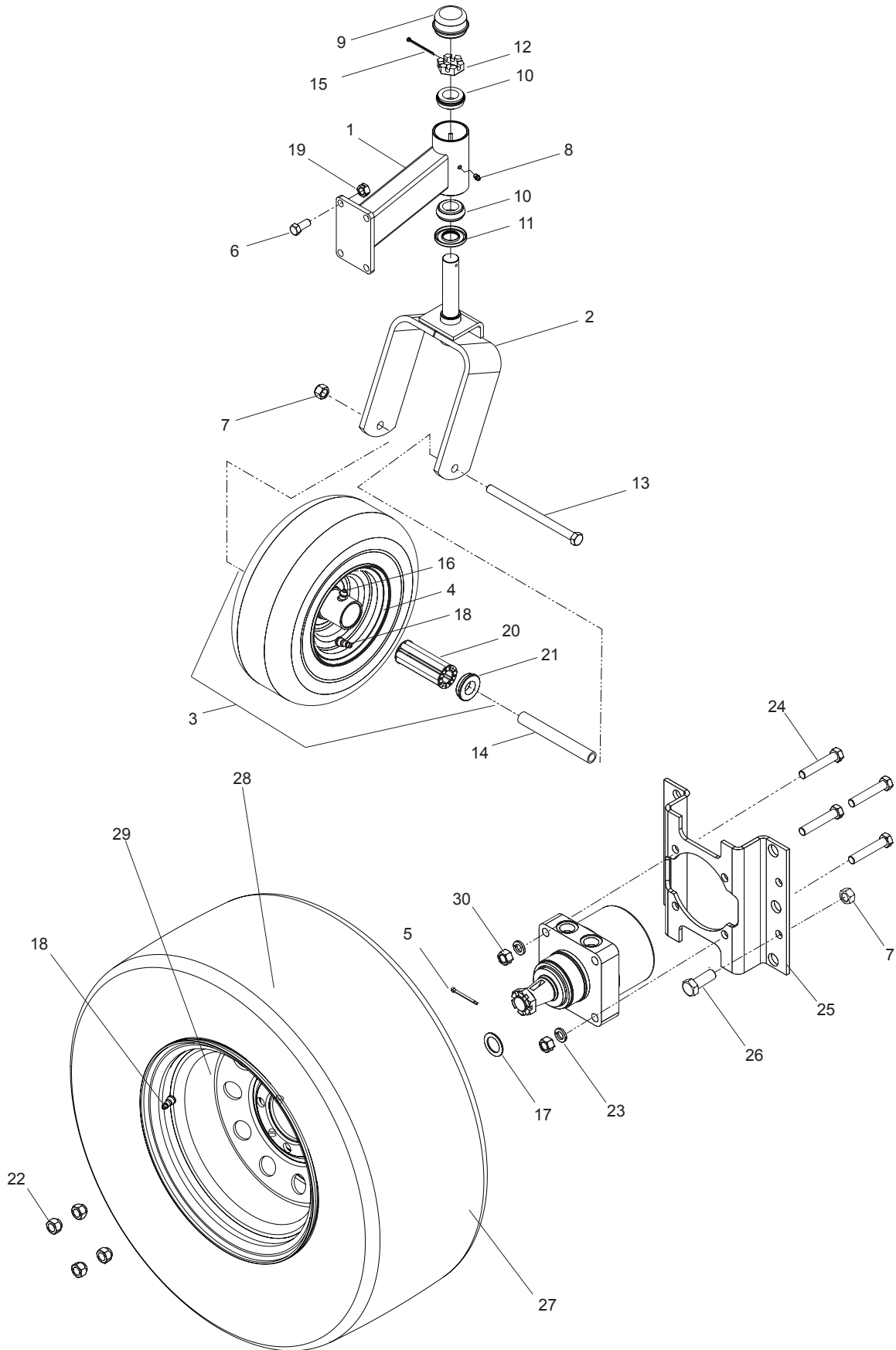


# MOWER LIFT / DECK LIFT

ITEM	PART NO.	QTY.	DESCRIPTION	ITEM	PART NO.	QTY.	DESCRIPTION
1..	539 101232....2	....	BUSHING	20..	539 112899....4	....	NUT <sup>5</sup> / <sub>16</sub> -18 HEX NYLOC
2..	539 101474....2	....	ZERK	21..	539 991043....4	....	BUSHING
3..	539 101721....8	....	HCS <sup>5</sup> / <sub>16</sub> -18 x 2 <sup>3</sup> / <sub>4</sub>	22..	539 101050....1	....	GRIP, VINYL
4..	539 101802....1	....	E-RING <sup>7</sup> / <sub>8</sub>	23..	539 101058....1	....	SPRING, COMPRESSION
5..	539 102526....1	....	PIN LIFT 1/2 x 2 w/RINGS	24..	539 102515....1	....	GRIP, LIFT LEVER
6..	539 102565....2	....	LINKAGE	25..	539 103533....1	....	L PIN, 1/2 x 6.69
7..	539 102612....1	....	HCS <sup>3</sup> / <sub>8</sub> -16 x 2 <sup>3</sup> / <sub>4</sub>	26..	539 103534....1	....	PIN MOUNT
8..	539 104530....2	....	SPACER	27..	539 106532....1	....	PIN, GROOVED <sup>3</sup> / <sub>16</sub> x 1 <sup>1</sup> / <sub>4</sub>
9..	539 104808....8	....	BLOCK, PILLOW	28..	539 990761....2	....	NUT 1/4-20 CENTERLOCK
10..	539 105059....1	....	LANYARD	29..	539 104807....4	....	REINFORCED BAR
11..	539 109955....1	....	SHAFT, REAR LIFT	30..	539 990637....1	....	HCS <sup>3</sup> / <sub>8</sub> -16 x 2 <sup>1</sup> / <sub>2</sub>
12..	539 109956....1	....	SHAFT, FRONT LIFT	31..	539 109961....1	....	LIFT LEVER
13..	539 110803....1	....	PLATE, ADJUSTMENT	32..	539 977703....2	....	PIN, CLEVIS <sup>3</sup> / <sub>8</sub> x 1 <sup>1</sup> / <sub>8</sub>
14..	539 110808....2	....	CROSS LINK				FOOT ASSIST - NOT ON ALL MODELS
15..	539 976979....7	....	NUT <sup>3</sup> / <sub>8</sub> -16 HEX NYLOC	33..	539 105184 ...1	...	TIGHTING PLATE
16..	539 976989....1	....	PIN, HAIR .120 x 2 <sup>1</sup> / <sub>2</sub>	34..	539 105181 ...1	...	LIFT PEDAL
17..	539 990365....5	....	PIN, COTTER 1/8 x 3/4	35..	539 105187 ...1	...	ANTI-SKID PAD
18..	539 990580....2	....	HCS 1/4-20 x 3/4	36..	539 990655 ...3	...	HCS <sup>3</sup> / <sub>8</sub> -16 x 1 <sup>1</sup> / <sub>2</sub>
19..	539 990654....4	....	PIN, COTTER, <sup>5</sup> / <sub>32</sub> x 1 <sup>1</sup> / <sub>4</sub>				



# WHEELS & TIRES

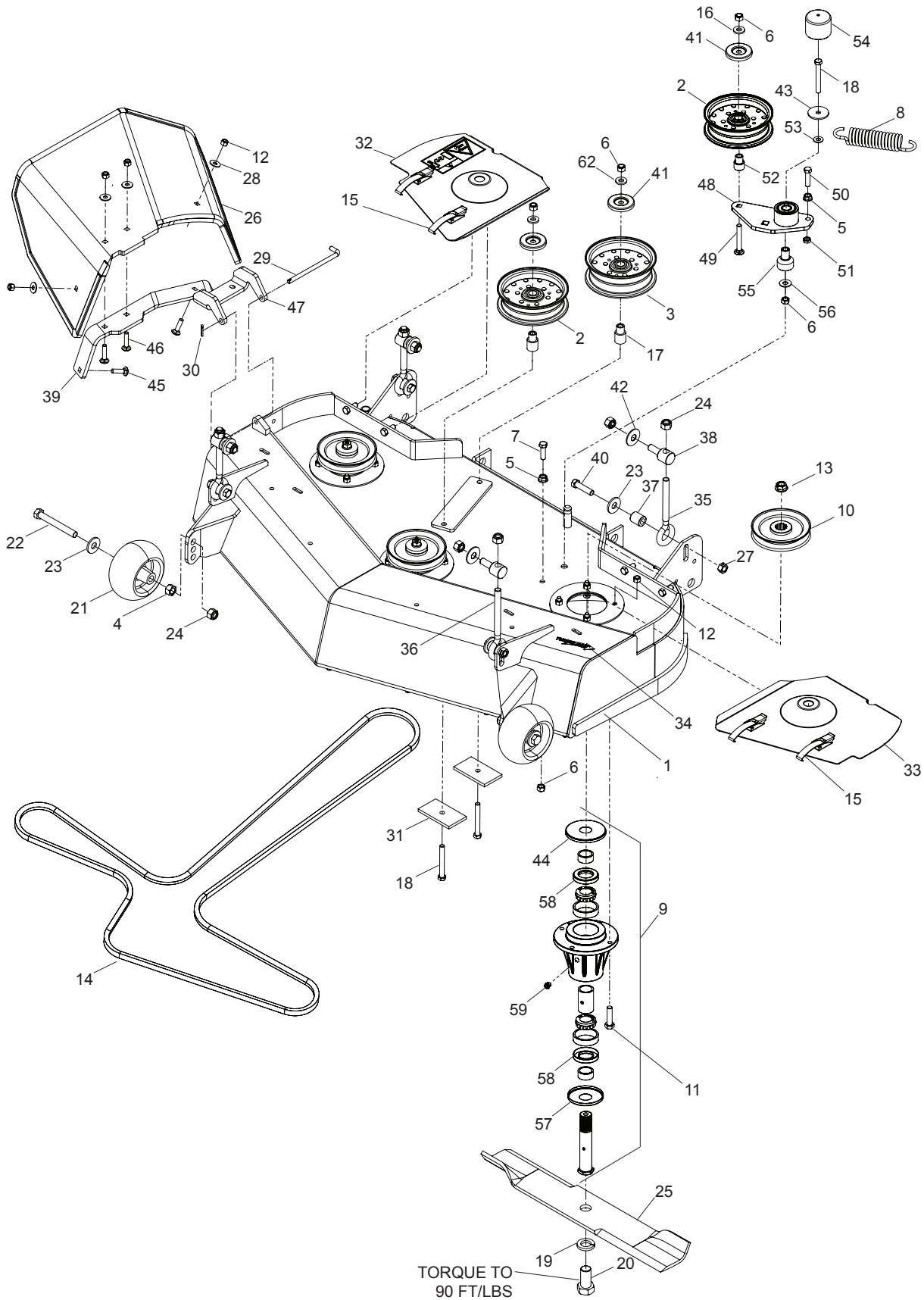


# WHEELS & TIRES

---

ITEM	PART NO.	QTY.	DESCRIPTION	ITEM	PART NO.	QTY.	DESCRIPTION
1..	539 106986....2	....	CASTER ARM	22..	539 101173....8	....	LUG NUT
	539 108331...2	....	CASTER ARM iZ6125	23..	539 990254....8	....	LOCKWASHER ½
2..	539 104571....2	....	CASTER YOKE	24..	539 101332....8	....	HCS ½-13 x 2¾
3..	539 104572....2	....	TIRE ASSM	25..	539 106989....2	....	MOTOR STANDOFF
4..	539 104573....2	....	RIM	26..	539 990622....8	....	HCS ½-13 x 1¼
5..	539 990297....2	....	COTTER PIN	27..	539 112592....2	....	TIRE ASSEMBLY iZ4821, iZ5223 VAN, iZC5223, iZC5221
6..	539 100143....8	....	HCS 7/16-14 x 1		539 108614...2	....	TIRE ASSEMBLY iZ4217, iZ4819
7..	539 101331..18	....	NUT ½-13 HEX NYLOC		539 108881...2	....	TIRE ASSEMBLY iZ6125
8..	539 101474....2	....	ZERK	28..	539 112599....2	....	TIRE iZ4821, iZ5223 VAN, iZC5223, iZC5221
9..	539 102535....2	....	CAP, GREASE		539 107432...2	....	TIRE iZ4217, iZ4819,
10..	539 102543....4	....	BEARING, TAPERED	29..	510 253001....2	....	RIM MODELS iZ4821, iZ5223VAN, i5223
11..	539 102851....2	....	SEAL		539 109344...2	....	RIM iZ4217, iZ4819
12..	539 102852....2	....	NUT 1-14 JAM SPEC		539 105487...2	....	RIM iZ6125
13..	539 102855....2	....	HCS ½-13 x 7½	30..	539 990258....8	....	NUT ½-13 HEX
14..	539 102856....2	....	SPACER				
15..	539 102889....2	....	PIN, COTTER, 1/8 x 2				
16..	539 976997....2	....	ZERK				
17..	539 916561....2	....	BUSHING, 1"				
18..	539 912234....4	....	VALVE STEM				
19..	539 990839....8	....	NUT 7/16-14 HEX CTRLK GR A				
20..	539 102485....4	....	BEARING, ROLLER 2½				
21..	539 102484....4	....	BEARING, FLANGED				

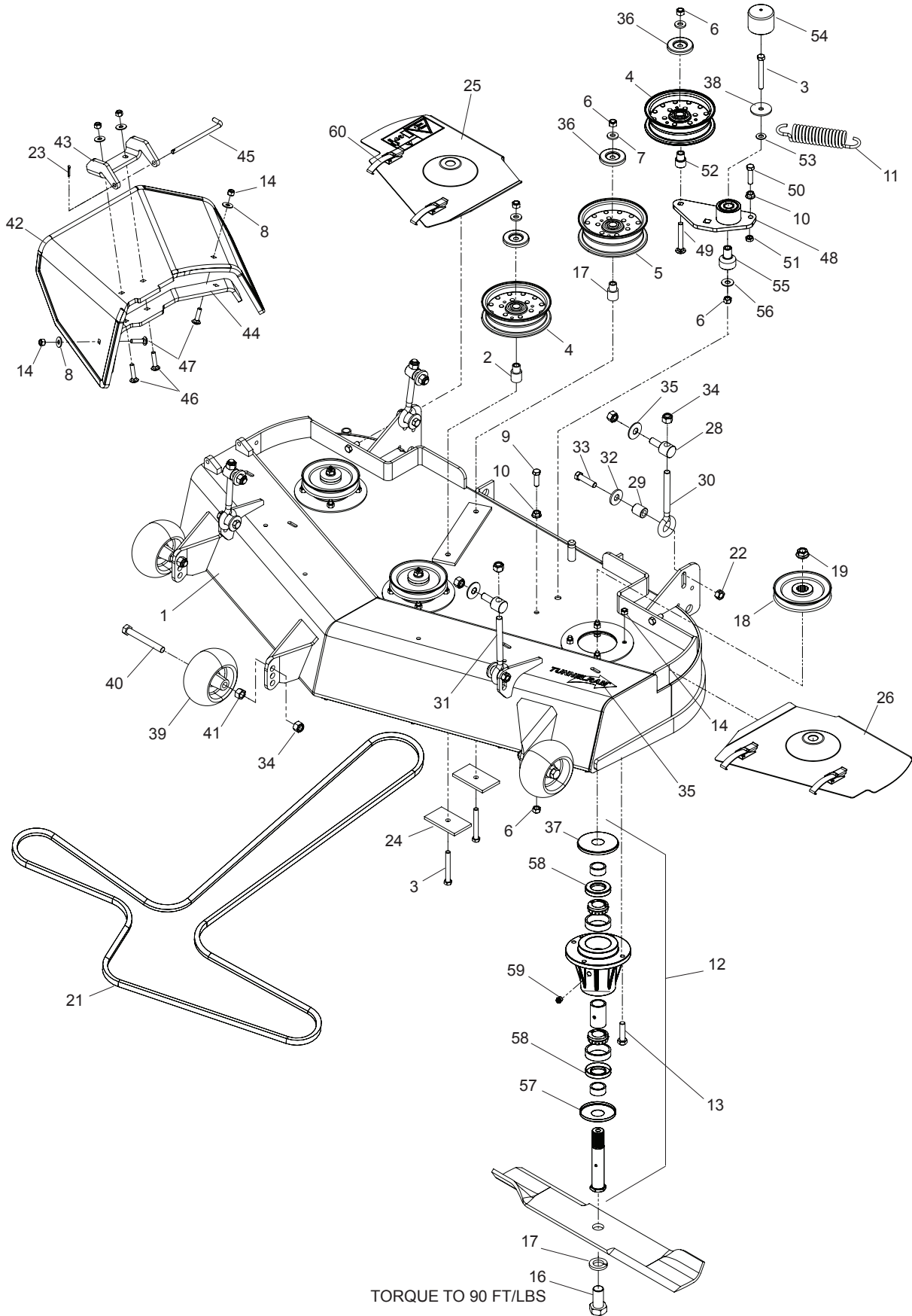
# 42" CUTTING DECK



# 42" CUTTING DECK

ITEM	PART NO.	QTY.	DESCRIPTION	ITEM	PART NO.	QTY.	DESCRIPTION
1..	539 111375	....1	.... DECK w/DECALS	31..	539 103303	....2	.... PAD
2..	539 103257	....2	.... PULLEY, IDLER	32..	539 109663	....1	.... BELT SHIELD ASSM RT
3..	539 103258	....1	.... PULLEY, IDLER (TALL)	33..	539 109664	....1	.... BELT SHIELD ASSM LT
4..	539 990258	....2	.... NUT 1/2-13	34..	539 111560	....1	.... DECAL, TUNNEL
5..	539 990613	....2	.... NUT 3/8-16 WHIZLK	35..	539 119227	....2	.... EYE BOLT
6..	539 976979	....4	.... NUT 3/8-16 HEX NYLOC	36..	539 114698	....2	.... EYE BOLT 1/2-13
7..	539 976941	....1	.... HCS 3/8-16 x 1 1/4	37..	539 114404	....4	.... SPACER
8..	539 103256	....1	.... SPRING, EXTENSION	38..	505 256501	....4	.... SWIVEL
9..	539 131383	....3	.... SPINDLE ASSEMBLY	39..	539 130925	....1	.... REINFORCEMENT, BRKT
10..	539 112141	....3	.... PULLEY	40..	539 108073	....4	.... HCS 7/16-14 x 1 3/4
11..	539 990627	..12	.... HCS 5/16-18 x 1 1/4	41..	510 254501	....3	.... SHIELD, DUST
12..	539 990717	..16	.... NUT 5/16-18 HEX NYLOC	42..	539 115550	....4	.... WASHER
13..	539 130653	....3	.... NUT 3/4-16 FLANGE	43..	539 111897	....7	.... WASHER 3/8 SPECIAL
14..	510 201101	....1	.... BELT, DECK	44..	539 108450	....3	.... DUST CAP, TOP
15..	539 109660	....4	.... DRAW LATCH	45..	539 100472	....2	.... RHSNB 5/16-18 x 1 1/4
16..	522 023401	....3	.... WASHER 3/8 THICK	46..	539 102933	....2	.... RHSNB 5/16-18 x 1 1/2
17..	539 103295	....2	.... BUSHING, IDLER	47..	539 130923	....1	.... BRACKET, CHUTE
18..	539 101341	....3	.... HCS 3/8-16 x 3	48..	539 130391	....1	.... ARM, IDLER w/BEARINGS
19..	539 990333	....3	.... WASHER 5/8 SPLIT LOCK	49..	539 130235	....1	.... RHSNB 3/8-16 x 2 3/4
20..	539 103299	....3	.... HCS 5/8-18 x 1 1/4	50..	539 107042	....1	.... HCS 3/8-16 x 1 1/2 GR8
21..	539 107610	....2	.... WHEEL, GAUGE	51..	539 109332	....1	.... NUT 3/8-16 HEX JAM
22..	539 108366	....2	.... HCS 1/2-13 x 4	52..	539 130242	....1	.... BUSHING, IDLER
23..	539 109554	....2	.... WASHER 1/2 SPRING	53..	539 990122	....1	.... WASHER 3/8 SAE FLT
24..	539 101331	..10	.... NUT 1/2-13 HEX NYLOC	54..	539 114823	....1	.... CAP, VINYL
25..	539 109681	....3	.... BLADE 14 5/8	55..	510 206301	....1	.... BEARING, PIVOT
26..	539 130778	....1	.... CHUTE, DISCHARGE	56..	539 990517	....1	.... WASHER 3/8 FLAT STD
27..	539 990839	....4	.... NUT 7/16-14 HEX CTRLK GR A	57..	539 108449	....1	.... DUST CAP, BOTTOM
28..	539 990692	....4	.... WASHER 5/16 STD FLT	58..	539 108754	....2	.... SEAL, SHAFT
29..	539 131813	....1	.... PIN, CLEVIS	59..	539 977326	....1	.... GREASE POPPET
30..	539 990365	....1	.... PIN, COTTER 1/8 x 3/4				

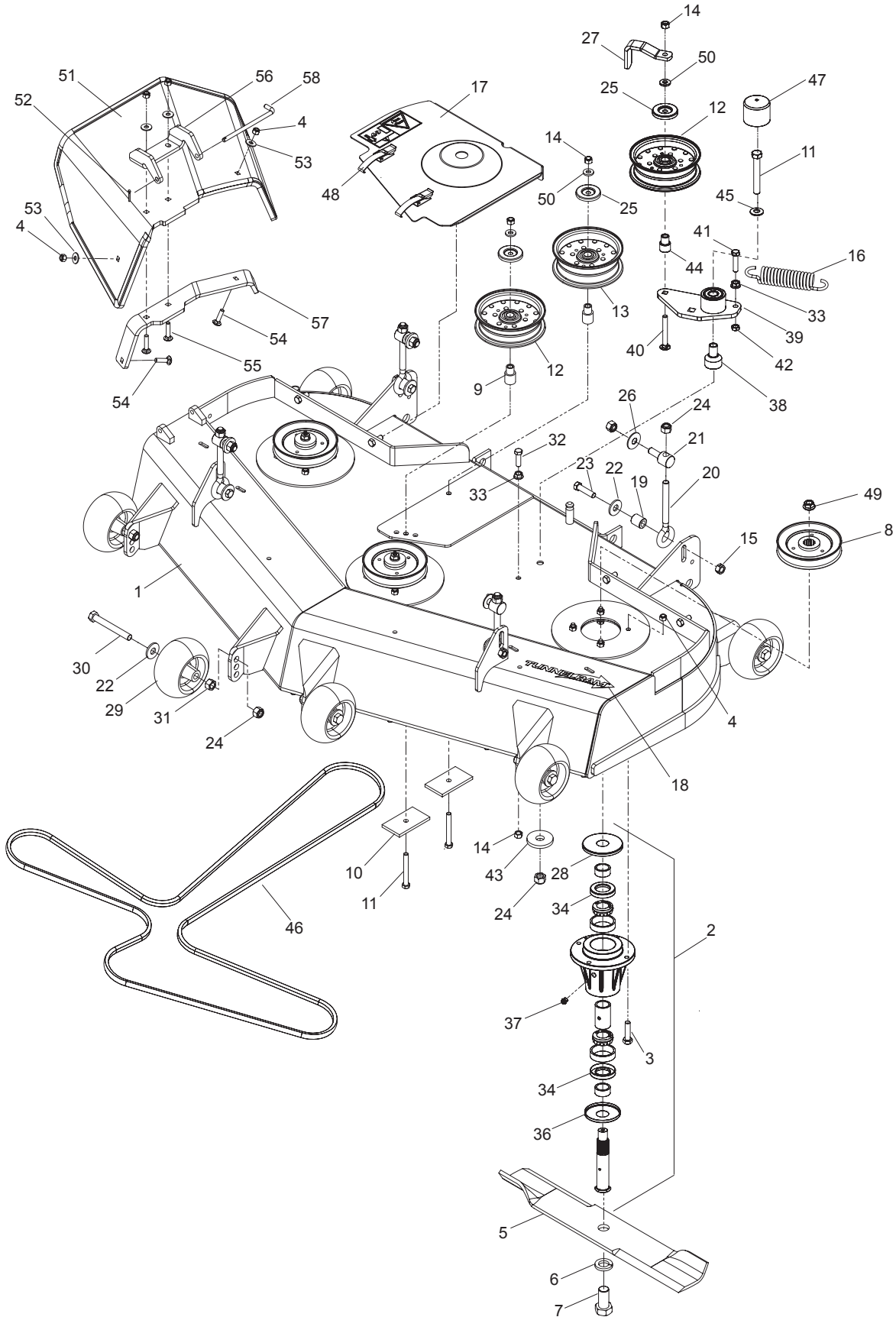
# 48" CUTTING DECK



# 48" CUTTING DECK

ITEM	PART NO.	QTY.	DESCRIPTION	ITEM	PART NO.	QTY.	DESCRIPTION
1..	539 111376	....1	.... DECK w/DECALS	31..	539 114698	....2	.... EYE BOLT ½-13
2..	539 103295	....2	.... BUSHING, IDLER	32..	539 109554	....4	.... WASHER ½ SPRING
3..	539 101341	....3	.... HCS ¾-16 x 3	33..	539 108073	....4	.... HCS 7/16-14 x 1¾
4..	539 103257	....2	.... PULLEY, IDLER	34..	539 101331	..11	.... NUT ½-13 HEX NYLOC
5..	539 103258	....1	.... PULLEY, IDLER (TALL)	35..	539 115550	....4	.... WASHER
6..	539 976979	....5	.... NUT ¾-16 HEX NYLOC	36..	510 254501	....3	.... SHIELD, DUST
7..	522 023401	....1	.... WASHER ¾ THICK	37..	539 108450	....3	.... DUST CAP, TOP
8..	539 990692	....4	.... WASHER 5/16 STD FLT	38..	539 111897	....3	.... WASHER ¾ SPECIAL
9..	539 976941	....1	.... HCS ¾-16 x 1¼	39..	539 107610	....3	.... WHEEL, GAUGE
10..	539 990613	....2	.... NUT ¾-16 WHIZLK	40..	539 108366	....3	.... HCS ½-13 x 4
11..	539 103256	....1	.... SPRING, EXTENSION	41..	539 990258	....3	.... NUT ½-13
12..	539 131383	....3	.... SPINDLE ASSEMBLY	42..	539 130778	....1	.... CHUTE, DISCHARGE
13..	539 990627	..12	.... HCS 5/16-18 x 1¼	43..	539 130923	....1	.... BRACKET, CHUTE
14..	539 990717	..16	.... NUT 5/16-18 HEX NYLOC	44..	539 130925	....1	.... REINFORCEMENT, BRKT
15..	539 100340	....3	.... BLADE, 16¼	45..	539 131813	....1	.... PIN, CLEVIS
16..	539 103299	....3	.... HCS 5/8-18 x 1¼	46..	539 102933	....2	.... RHSNB 5/16-18 x 1½
17..	539 990333	....3	.... WASHER 5/8 SPLIT LOCK	47..	539 100472	....2	.... RHSNB 5/16-18 x 1¼
18..	539 112141	....3	.... PULLEY	48..	539 130391	....1	.... ARM, IDLER w/BEARINGS
19..	539 130653	....3	.... NUT ¾-16 FLANGE	49..	539 130235	....1	.... RHSNB ¾-16 x 2¾
20..	539 112120	....3	.... HCS 7/16-20 x 1½ GR8	50..	539 107042	....1	.... HCS ¾-16 x 1½ GR8
21..	539 111949	....1	.... BELT, DECK	51..	539 109332	....1	.... NUT ¾-16 HEX JAM
22..	539 990839	....4	.... NUT 7/16-14 HEX CTRLK GR A	52..	539 130242	....1	.... BUSHING, IDLER
23..	539 990365	....1	.... PIN, COTTER 1/8 x ¾	53..	539 990122	....1	.... WASHER ¾ SAE FLT
24..	539 103303	....2	.... PAD	54..	539 114823	....1	.... CAP, VINYL
25..	539 108686	....1	.... BELT SHIELD ASSM RT	55..	510 206301	....1	.... BEARING, PIVOT
26..	539 108687	....1	.... BELT SHIELD ASSM LT	56..	539 990517	....2	.... WASHER ¾ FLAT STD
27..	539 111812	....1	.... DECAL, TUNNEL RAM	57..	539 108449	....3	.... DUST CAP, BOTTOM
28..	505 256501	....4	.... SWIVEL	58..	539 108754	....2	.... SEAL, SHAFTL
29..	539 114404	....4	.... SPACER	59..	539 977326	....1	.... GREASE POPPET
30..	539 119227	....2	.... EYE BOLT	60..	539 109660	....4	.... DRAW LATCH

# 52" CUTTING DECK



# 52" CUTTING DECK

ITEM	PART NO.	QTY.	DESCRIPTION	ITEM	PART NO.	QTY.	DESCRIPTION
1..	539 111377	....1	.... DECK w/DECALS	31..	539 990258	....6	.... NUT ½-13 HEX
2..	539 131383	....3	.... SPINDLE	32..	539 976941	....1	.... HCS ¾-16 x 1¼
3..	539 990627	..12	.... HCS 5/16-18 x 1¼	33..	539 990613	....3	.... NUT ¾-16 HEX WHIZLK
4..	539 990717	..12	.... NUT 5/16-18 HEX NYLOC	34..	539 108754	....2	.... SEAL, SHAFT
5..	539 100341	....3	.... BLADE, 18"	35..	539 108449	....3	.... DUST CAP, BOTTOM
6..	539 990333	....3	.... WASHER 5/8 SPLIT LOCK	36..	539 977326	....1	.... GREASE POPPET
7..	539 103299	....3	.... HCS 5/8-18 x 1¼	37..	539 101474	....1	.... ZERK
8..	539 112124	....3	.... PULLEY	38..	510 206301	....1	.... BEARING, PIVOT
9..	539 103295	....2	.... BUSHING, IDLER	39..	539 130391	....1	.... ARM, IDLER w/BEARINGS
10..	539 103303	....2	.... PAD	40..	539 130235	....1	.... RHSNB ¾-16 x 2¾
11..	539 103433	....1	.... HCS ½-13 x 3¼	41..	539 107042	....1	.... HCS ¾-16 x 1½ GR8
12..	539 103257	....1	.... PULLEY, IDLER	42..	539 109332	....1	.... NUT ¾-16 HEX JAM
13..	521 966601	....1	.... PULLEY, IDLER (WIDE)	43..	539 102243	....1	.... WASHER, SUPPORT
14..	539 976979	....3	.... NUT ¾-16 HEX NYLOC	44..	539 130242	....1	.... BUSHING, IDLER
15..	539 990839	....4	.... NUT 7/16-14 HEX CTRLK GR A	45..	539 115528	....1	.... WASHER ½ BELLEVILLE
16..	539 130690	....1	.... SPRING	46..	510 201201	....1	.... BELT, DECK
17..	539 109652	....1	.... BELT SHIELD ASSM RT	47..	539 114823	....1	.... CAP, VINYL
	539 109653	....1	.... BELT SHIELD ASSM LT	48..	539 109660	....4	.... DRAW LATCH
18..	539 111561	....1	.... DECAL, TUNNELRAM	49..	539 130653	....3	.... NUT ¾-16 FLANGE
19..	539 114404	....4	.... SPACER	50..	522 023401	....1	.... WASHER ¾ THICK
20..	539 119227	....4	.... EYEBOLT	51..	539 130779	....1	.... CHUTE, DISCHARGE
21..	505 256501	....4	.... SWIVEL	52..	539 990365	....1	.... PIN, COTTER 1/8 x ¾
22..	539 109554	..10	.... WASHER ½ SPRING	53..	539 990692	....4	.... WASHER 5/16 STD FLT
23..	539 108073	....4	.... HCS 7/16-14 x 1¾	54..	539 100472	....2	.... RHSNB 5/16-18 x 1¼
24..	539 101331	..11	.... NUT ½-13 HEX NYLOC	55..	539 102933	....2	.... RHSNB 5/16-18 x 1½
25..	510 254501	....3	.... SHIELD, DUST	56..	539 130923	....1	.... BRACKET, CHUTE
26..	539 115550	....4	.... WASHER	57..	539 130925	....1	.... REINFORCEMENT, BRKT
27..	539 114982	....1	.... GUIDE, BELT	58..	539 131813	....1	.... PIN, CLEVIS
28..	539 108450	....3	.... DUST CAP, TOP				
29..	539 107610	....6	.... WHEEL, GAUGE				
30..	539 108366	....6	.... HHB ½-13 x 4				

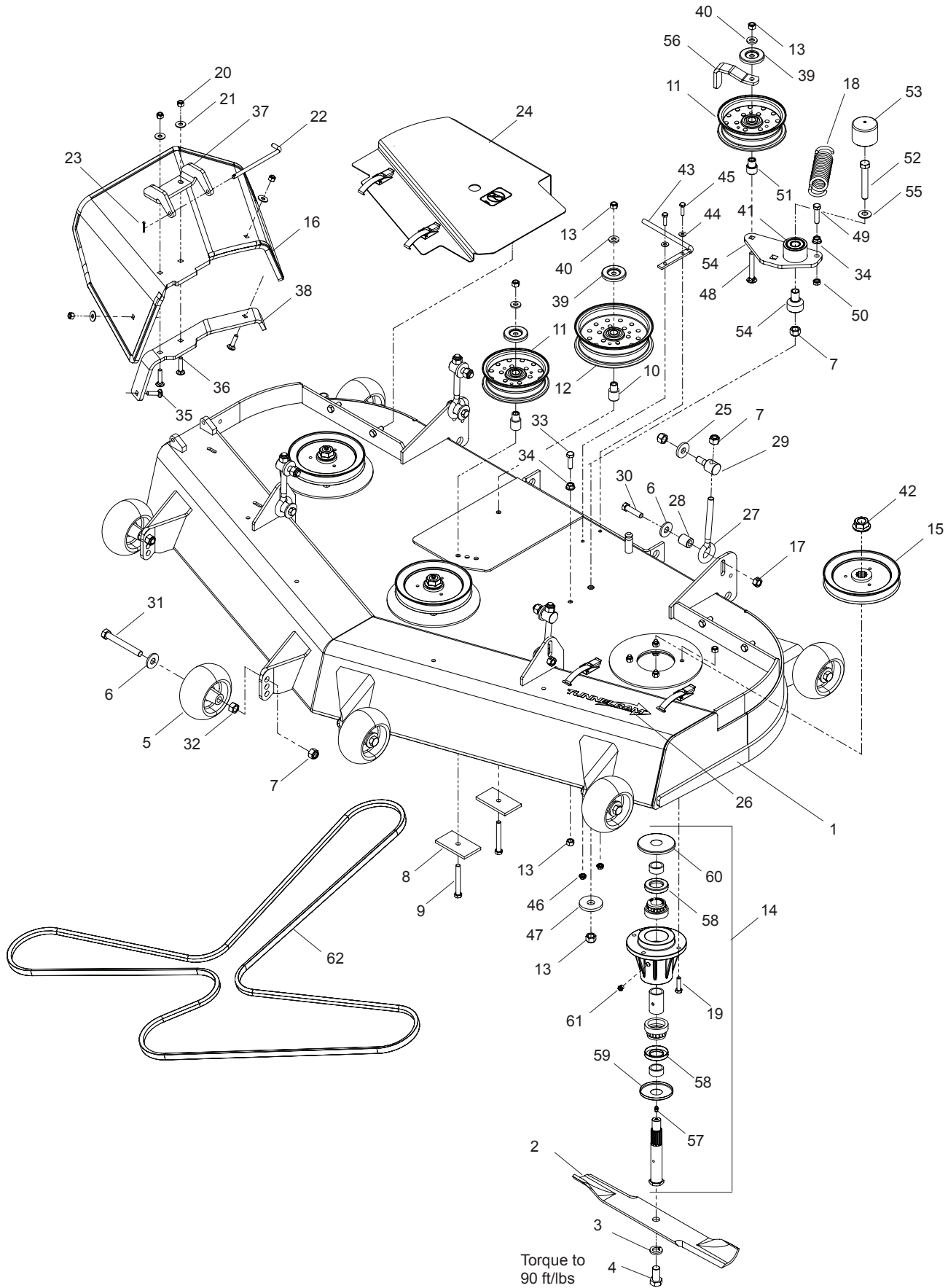




# 52" CUTTING DECK

ITEM	PART NO.	QTY.	DESCRIPTION	ITEM	PART NO.	QTY.	DESCRIPTION
1..	539 133055	1	DECK w/ DECALS	40..	539 115528	1	WASHER ½ BELLEVILLE
2..	544 166201	1	PLUG, MULCH	41..	522 023401	3	WASHER ½ THICK
3..	539 112508	1	BELT SHIELD, LT	42..	539 103295	2	IDLER BUSHING
4..	539 112509	1	BELT SHIELD, RT	43..	539 103257	1	IDLER PULLEY
5..	539 112620	1	DECAL, BELT ROUTING	44..	539 102612	2	HCS, ¾-16 x 2¾
6..	544 185401	1	ROLLER	45..	539 976979	4	NUT ¾-16 NYLOC
7..	535 428901	3	HOUSING, BEARING	46..	539 103258	1	PULLEY, IDLER (TALL)
8..	738 220519	6	BEARING	47..	539 990517	3	WASHER, ¾
9..	539 132778	3	BUSHING, BLADE	48..	539 112899	14	NUT, 5/16 -18, NYLOC
10..	535 428702	3	AXLE	49..	539 990362	4	SCREW ¼-20 x 5/8 SLF TAP
11..	535 428801	3	SPACER	50..	539 990588	1	HCS ¾ -16 x 2
12..	539 115550	3	WASHER ½	51..	539 990613	2	NUT ¾-16 WHIZLK
13..	539 132479	3	HCS, M12 x 1.75 x 60, GR8.8	52..	539 200282	1	NUT ¾-16 JAM, NYLOC
14..	539 990208	12	RHSNB 5/16-18 x 1	53..	539 132494	3	HCS, M8 x 1.25 x 50, GR8.8
15..	539 132480	3	HCS, M12 x 1.75 x 50, GR8.8	54..	539 990188	3	WASHER 5/16 SAE
16..	506 792302	3	WASHER	55..	539 913010	2	DECAL, CPSC
17..	544 175701	3	BLADE	56..	539 132470	1	HCS 7/16-14 x 7
18..	506 533501	6	KEY	57..	539 990258	4	NUT ½-13
19..	539 112609	3	RETAINER, KEY	58..	539 102619	2	PIVOT PIN
20..	506 916203	3	NUT, BLIND RIVET	59..	539 990209	2	HCS 5/16-18 x 1
21..	544 245301	1	LABEL	60..	539 127099	3	WASHER, 1.06
22..	510 254501	3	SHIELD, DUST	61..	539 108449	3	DUST CAP, BOTTOM
23..	539 101331	12	NUT ½ NYLOC	62..	539 130391	1	ARM, IDLER w/ BEARINGS
24..	539 990550	4	WASHER ½	63..	539 103257	1	IDLER PULLEY
25..	539 112484	4	SPRING WASHER ½	64..	539 128101	1	BOLT ¾-16 x 2½
26..	539 112506	3	PULLEY, 52	65..	539 107042	1	HCS ¾-16 x 1½ GR8
27..	505 256501	4	SWIVEL	66..	539 109332	1	NUT ¾ -16 JAM
28..	539 114404	4	SPACER	67..	539 130242	1	BUSHING, IDLER
29..	539 119227	4	EYEBOLT	68..	539 990122	1	WASHER ¾ SAE
30..	539 113343	1	BELT, DECK	69..	539 102612	1	HCS, ¾-16 x 2¾
31..	539 105743	2	DECAL, NO STEP	70..	539 114823	1	CAP, VINYL
32..	539 105744	2	DECAL, DNGR, BELT DRIVE	71..	539 130205	1	PIVOT, BEARING
33..	539 103256	1	SPRING	72..	539 132463	1	GUARD, DEBRIS, RT
34..	539 109554	4	WASHER ½	73..	539 132461	1	GUARD, DEBRIS, LT
35..	539 107610	4	WHEEL, GAUGE	74..	539 132466	1	GUARD, RUBBER
36..	539 108366	4	HCS ½-13 x 4	75..	539 132465	1	STRAP, GUARD
37..	539 108073	4	HCS 7/16-14 x 1¾	76..	539 108147	10	NUT ¼- 20 KNURLED INST
38..	539 990839	5	NUT 7/16-14 CTRLK, GR A	77..	539 107631	10	SCREW, THDROLL ¼ -20 x 5/8
39..	539 106504	1	WASHER, HEAVY				

# 61" CUTTING DECK

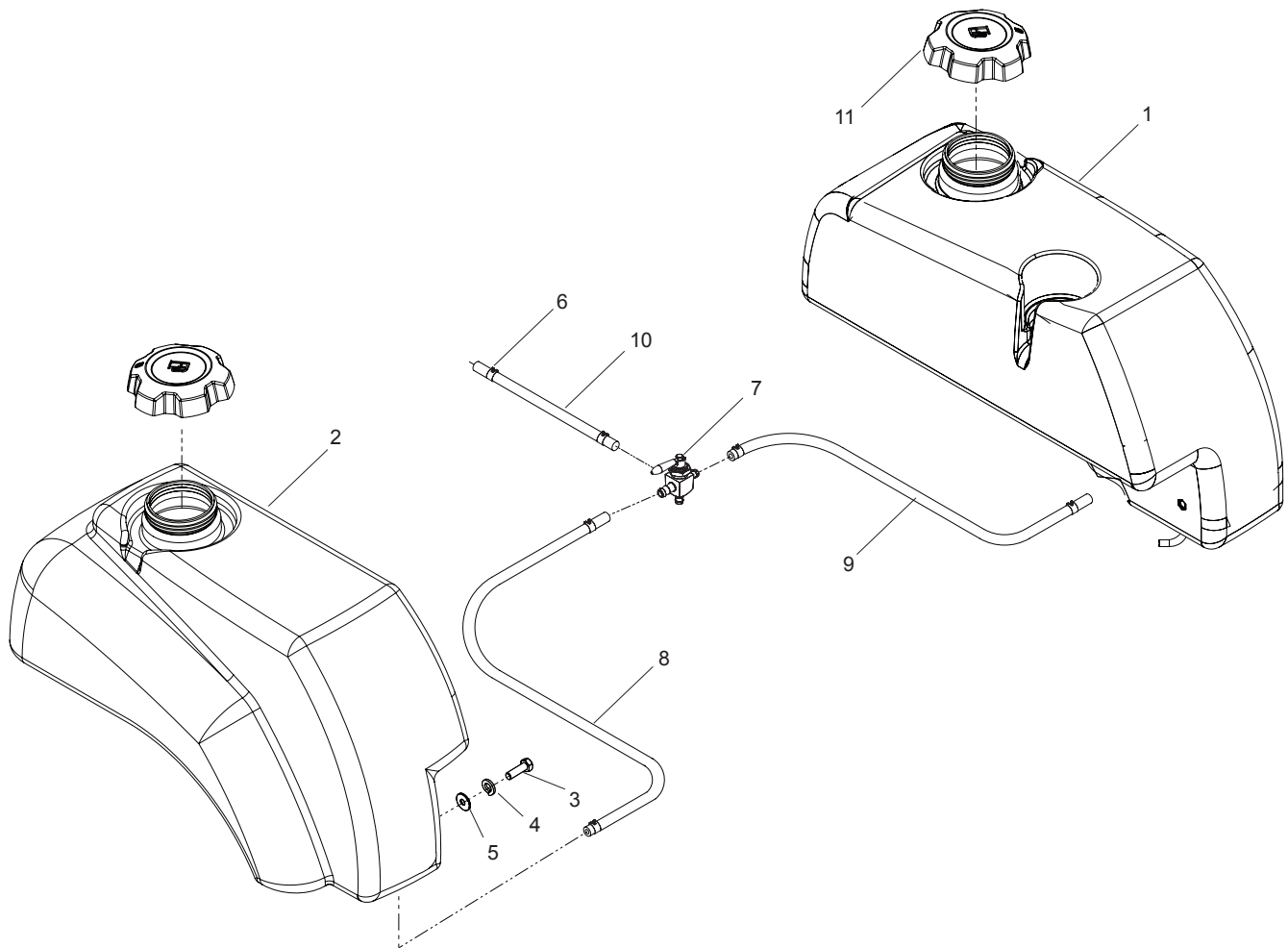


# 61" CUTTING DECK

ITEM	PART NO.	QTY.	DESCRIPTION	ITEM	PART NO.	QTY.	DESCRIPTION
1..	539 111378	....1	.... DECK w/DECALS	32..	539 990258	....6	.... NUT 1/2-13 HEX
2..	539 101733	....3	.... BLADE, 21"	33..	539 976941	....1	.... HCS 3/8-16 x 1 1/4
3..	539 990333	....3	.... WASHER 5/8 SLW	34..	539 990613	....2	.... NUT 3/8-16 HEX WHIZLK
4..	539 103299	....3	.... HCS 5/8-18 x 1 1/4	35..	539 100472	....2	.... RHSNB 5/16-18 x 1 1/4
5..	539 107610	....6	.... WHEEL, GAUGE	36..	539 102933	....2	.... RHSNB 5/16-18 x 1 1/2
6..	539 109554	....10	.... WASHER 1/2 FLAT	37..	539 130923	....1	.... PIVOT BRACKET, CHUTE
7..	539 101331	....15	.... NUT 1/2-13 NYLOC	38..	539 130925	....1	.... REINFORCEMENT
8..	539 103303	....2	.... PAD, PAINTED	39..	510 254501	....3	.... SHIELD, DUST
9..	539 101341	....2	.... HCS 3/8-16 x 3	40..	522 023401	....4	.... WASHER 3/8 SPECIAL
10..	539 103295	....2	.... BUSHING, IDLER	41..	539 130391	....1	.... ARM, IDLER w/ BEARINGS
11..	539 103257	....2	.... PULLEY, IDLER	42..	539 130653	....3	.... NUT 3/4-16 FLANGE
12..	521 966601	....1	.... PULLEY, IDLER (WIDE)	43..	522 629801	....1	.... GUIDE, BELT
13..	539 976979	....4	.... NUT 3/8-16 HEX NYLOC	44..	539 990550	....4	.... WASHER 1/2 STD FLT
14..	539 131383	....3	.... HOUSING ASSM	45..	539 990548	....2	.... HCS 1/4-20 x 1
15..	539 112125	....3	.... PULLEY	46..	539 108735	....2	.... NUT 1/4-20 HEX FLANGE
16..	539 130779	....1	.... CHUTE, DISCHARGE	47..	539 102243	....1	.... WASHER, SUPPORT
17..	539 990839	....4	.... NUT 7/16-14 HEX CTRLK GR A	48..	539 130235	....1	.... RHSNB 3/8-16 x 2 3/4
18..	539 130690	....1	.... SPRING	49..	539 107042	....1	.... HCS 3/8-16 x 1 1/2 GR 8
19..	539 990627	....12	.... HCS 5/16-18 x 1 1/4	50..	539 109332	....1	.... NUT 3/8-16 HEX JAM
20..	539 990717	....16	.... NUT 5/16-18 HEX NYLOC	51..	539 130242	....1	.... BUSHING, IDLER
21..	539 990692	....4	.... WASHER 5/16 STD FLT	52..	539 103433	....1	.... HCS 1/2-13 x 3 1/4
22..	539 131813	....1	.... PIN, CHUTE PIVOT	53..	539 114823	....1	.... CAP, VINYL
23..	539 990365	....1	.... COTTER PIN 1/8 x 3/4	54..	510 206301	....1	.... BEARING, PIVOT
24..	510 202101	....1	.... BELT SHIELD ASSM RT	55..	539 115528	....1	.... WASHER, 1/2 BELLEVILLE
	510 202201	....1	.... BELT SHIELD ASSM LT	56..	539 114981	....1	.... GUIDE, BELT
25..	539 115550	....4	.... WASHER 1/2 STD FLT	57..	539 101474	....3	.... ZERK
26..	539 111561	....1	.... DECAL, TUNNELRAM	58..	539 108754	....2	.... SEAL, SHAFT
27..	539 119227	....4	.... EYEBOLT	59..	539 108449	....3	.... DUST CAP, BOTTOM
28..	539 114404	....4	.... SPACER	60..	539 108450	....3	.... DUST CAP, TOP
29..	505 256501	....4	.... SWIVEL	61..	539 977326	....3	.... POPPET, GREASE
30..	539 108073	....4	.... HCS 7/16-14 x 1 3/4	62..	510 201301	....1	.... BELT, DECK
31..	539 108366	....6	.... HHB 1/2-13 x 4				

# FUEL SYSTEM

---

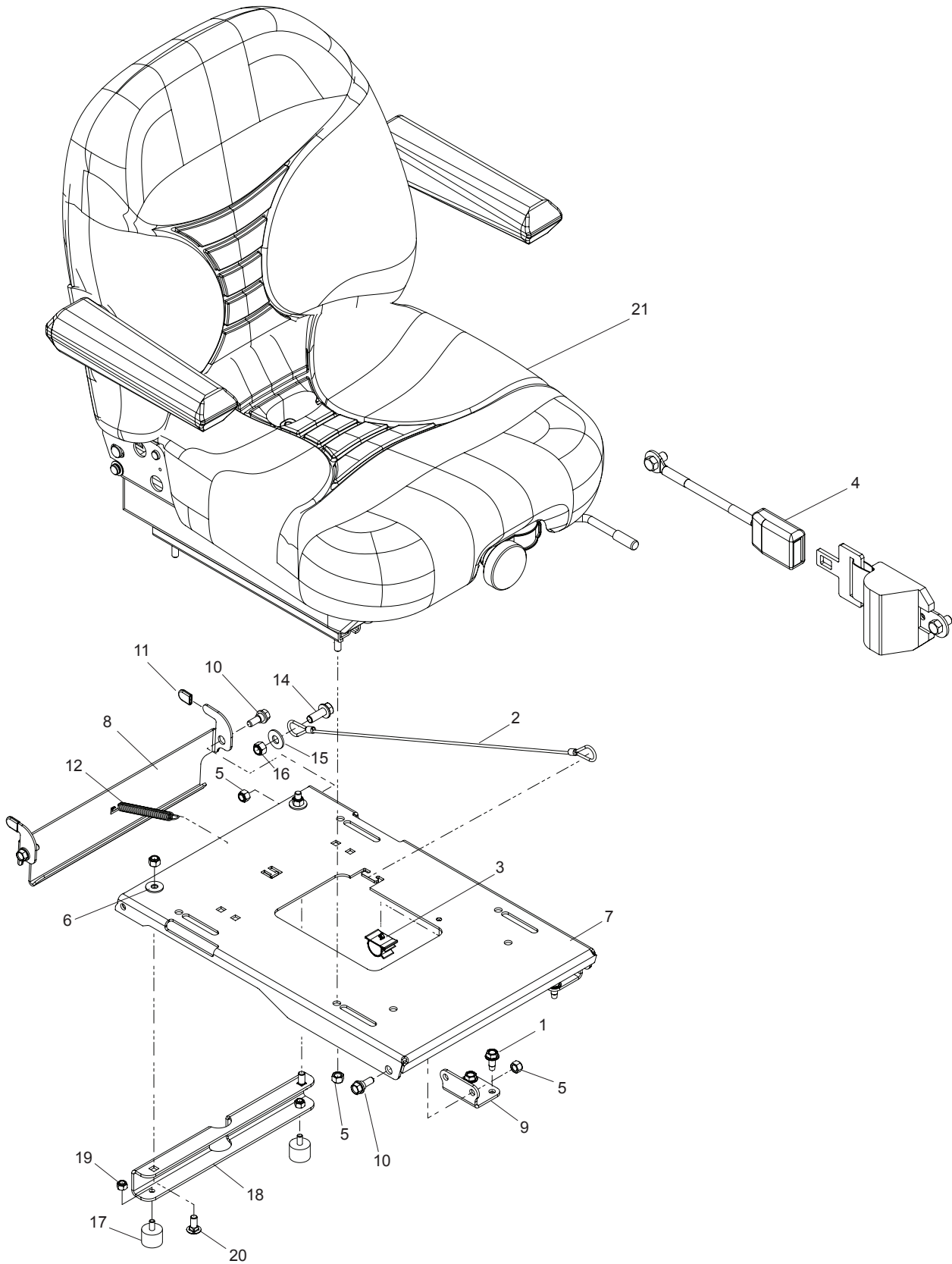


# FUEL SYSTEM

---

ITEM	PART NO.	QTY.	DESCRIPTION	ITEM	PART NO.	QTY.	DESCRIPTION
1..	539 104409....	1	.... FUEL TANK, LT	8..	539 105527....	1	.... HOSE, FUEL
2..	539 104410....	1	.... FUEL TANK, RT	9..	539 117050....	1	.... HOSE, FUEL
3..	539 976934....	2	.... HCS $\frac{5}{16}$ -18 x $\frac{3}{4}$	10..	539 108212....	1	.... HOSE, FUEL
4..	539 990187....	2	.... LOCKWASHER $\frac{5}{16}$		539 105281...	1	.... HOSE, FUEL iZ6125
5..	539 990692....	2	.... WASHER $\frac{5}{16}$ STD FLT	11..	539 130393....	2	.... CAP, FUEL
6..	539 912222....	6	.... CLAMP, HOSE				
7..	539 102679....	1	.... VALVE, FUEL				

# SEAT



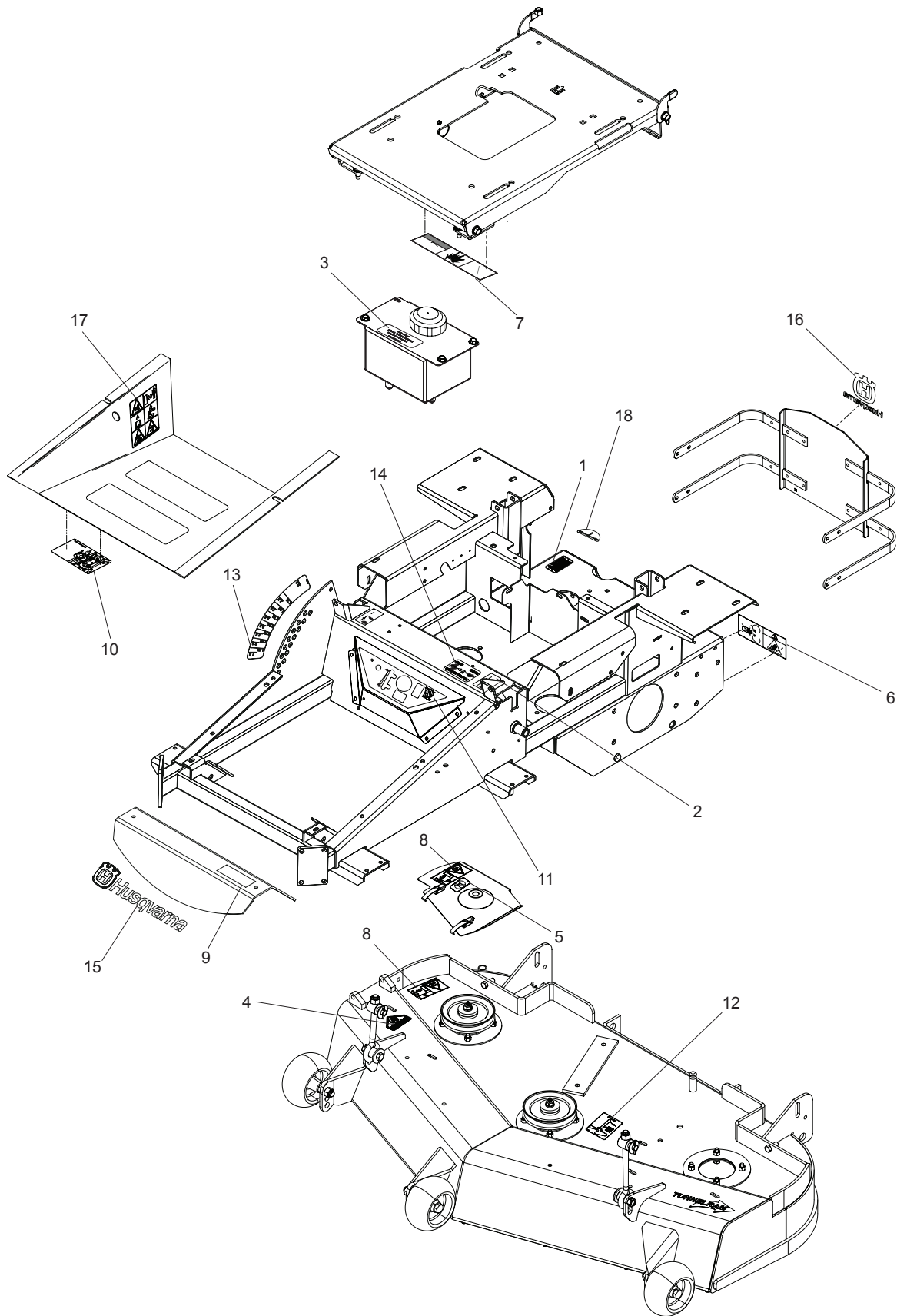
# SEAT

---

ITEM	PART NO.	QTY.	DESCRIPTION	ITEM	PART NO.	QTY.	DESCRIPTION
1..	539 107475....	4	BOLT $\frac{5}{16}$ -18 x $\frac{3}{4}$ THRD FRM	12..	539 977250....	1	SPRING
2..	539 103247....	1	LANYARD, SEAT	13..	539 990209....	2	HCS $\frac{5}{16}$ -18 x 1
3..	539 110815....	1	CLIP, WIRE	14..	539 990582 ...	1	HCS $\frac{3}{8}$ -16 x 1 WHIZLK
4..	539 130359....	1	SEAT BELT, RETRACTABLE	15..	539 990517 ...	1	WASHER $\frac{3}{8}$ FLAT STD
5..	539 990717....	6	NUT $\frac{5}{16}$ -18 HEX NYLOC	16..	539 976979 ...	1	NUT $\frac{3}{8}$ -16 HEX NYLOC
6..	539 990692....	2	WASHER $\frac{5}{16}$ STD FLT	17..	539 105039 ...	2	STUD, PLATE MOUNT
7..	539 130785....	1	PAN, SEAT	18..	539 132332 ...	1	STANDOFF, SEAT PAN
8..	539 130787....	1	LATCH, SEAT	19..	539 976978 ...	2	NUT $\frac{1}{4}$ -20 HEX NYLOC
9..	539 130789....	2	PIVOT, SEAT PAN	20..	539 990316 ...	2	RHSNB $\frac{5}{16}$ -18 x $\frac{3}{4}$
10..	539 130896....	4	BOLT $\frac{5}{16}$ -18 HEX HD	21..	539 132203....	1	SEAT
11..	539 130898....	2	GRIP, VINYL				



# DECALS



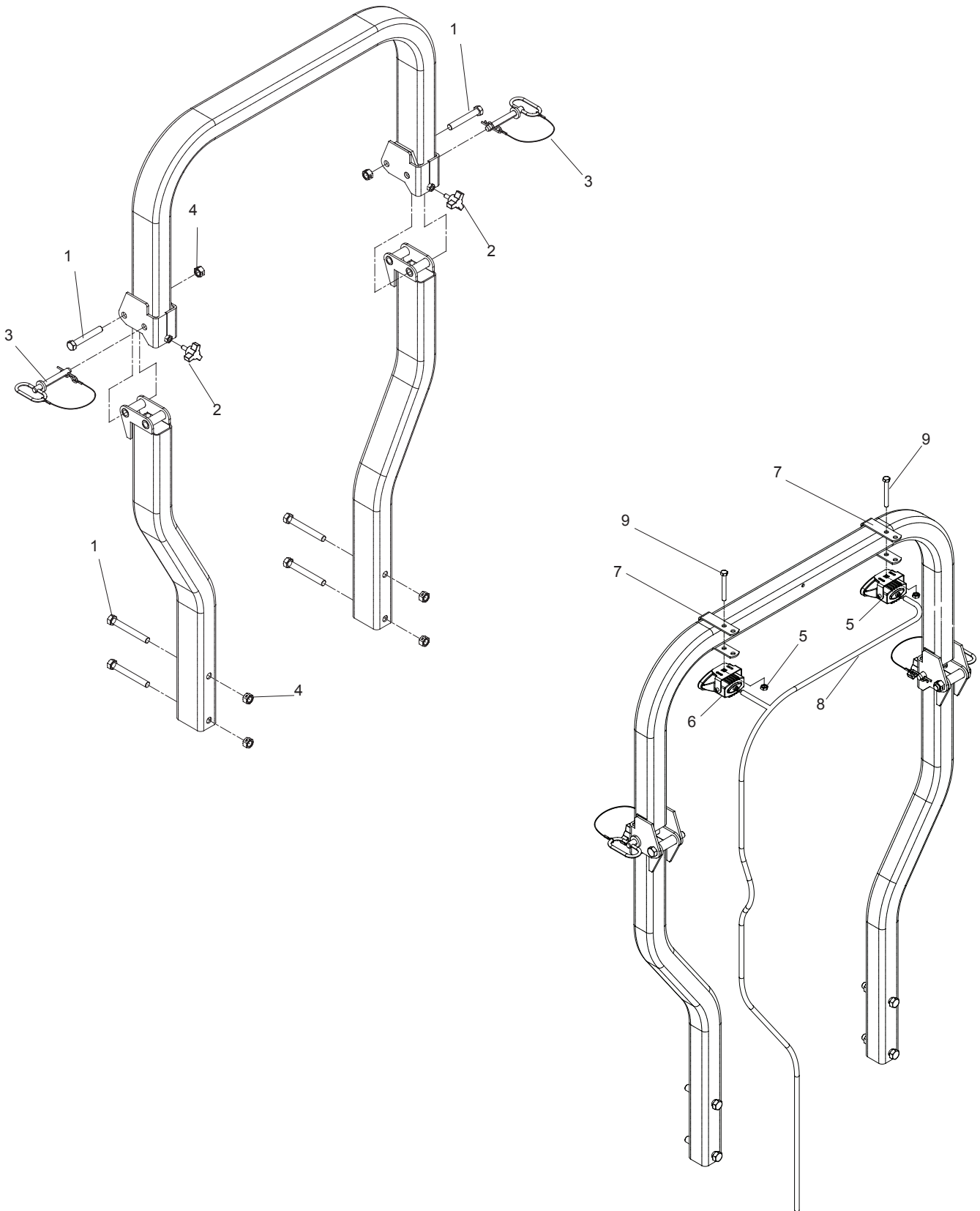
# DECALS

---

ITEM	PART NO.	QTY.	DESCRIPTION	ITEM	PART NO.	QTY.	DESCRIPTION
1..	539 101881....	1 ....	DECAL, PROP 65	10..	539 107289....	1 ....	DECAL, SERVICE
2..	539 103333....	2 ....	DECAL, MOTION CONTROL	11..	539 110956....	1 ....	DECAL, CONSOLE
3..	539 114832....	1 ....	DECAL, OIL TANK	12..	539 112620....	1 ....	DECAL, BELT ROUTING
4..	539 913010....	1 ....	DECAL, WARNING	13..	539 110973....	1 ....	DECAL, HEIGHT ADJ
5..	539 105743....	2 ....	DECAL, NO STEP	14..	539 110974....	1 ....	DECAL, TRACKING
6..	539 105744....	1 ....	DECAL, DANGER, BLT	15..	539 111047....	1 ....	DECAL, HUSQVARNA
7..	539 105745....	1 ....	DECAL, BATTERY WARN	16..	539 111055....	1 ....	DECAL, CROWN
8..	539 105746....	2 ....	DECAL, SEVERING	17..	539 111575....	1 ....	DECAL, WARNING
9..	539 111070....	1 ....	DECAL, IZ4217	18..	539 102670....	1 ....	DECAL, FUEL VALVE
	539 112675...	1.....	DECAL, IZ4819				NOT SHOWN
	539 111058 ...	1.....	DECAL, IZ4821		539 100128...	1.....	DECAL, EXHAUST
	539 111064 ...	1.....	DECAL, IZ5223				
	539 112679...	1.....	DECAL, IZ6125				
	539 112518...	1.....	DECAL, IZ21				

# PROTECTION FRAME

## ROLLOVER PROTECTION SYSTEM (ROPS) and LIGHT KIT



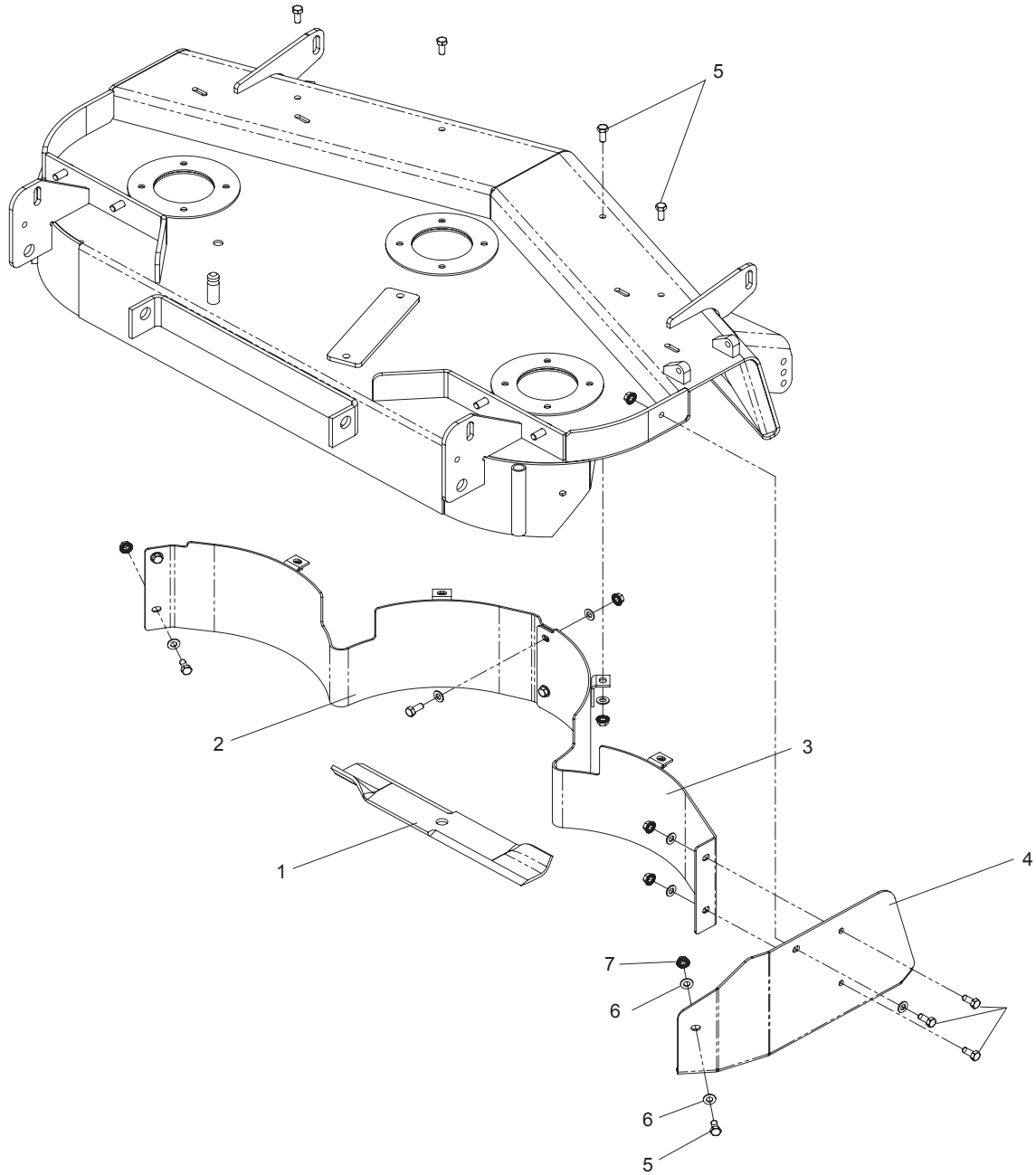
# PROTECTION FRAME

---

ITEM	PART NO.	QTY.	DESCRIPTION	ITEM	PART NO.	QTY.	DESCRIPTION
1..	539 103433....6	....	HCS ½C x 3 ¼	NOT SHOWN			
2..	539 104411 ....2	....	KNOB w/STUD	539 110966... 1	.....	1	ROPS, COMPLETE w/ SEAT BELT
3..	539 111036 ....2	....	LANYARD w/ PIN ½"	539 111026 ... 1	.....	1	SEAT BELT
4..	539 200100....6	....	NUT ½-13, CTRLK	539 111579 ... 1	.....	1	LIGHT KIT COMPLETE
5..	539 107897....2	....	NUT ⅝-18, JAM	539 976856. 16	.....	16	TIE, PLASTIC
6..	539 111577 ....2	....	LIGHT w/ BRKT & HRDWARE	539 111815 ... 1	.....	1	REPLACEMENT BULB 12V, 35 WATT (NOT INCLUDED IN KIT)
7..	539 111578 ....2	....	MOUNTING BRKT, LIGHT				
8..	539 111580 ....1	....	LIGHT HARNESS				
9..	539 991046....2	....	HCS ⅝-18 x 2½				

# ACCESSORIES

## MULCH KIT



# ACCESSORIES

---

ITEM	PART NO.	QTY.	DESCRIPTION	ITEM	PART NO.	QTY.	DESCRIPTION
1..	539 109754....	3	42" MULCH BLADE, 14 <sup>7</sup> / <sub>8</sub> "	4..	539 110704....	1	MULCH CAP, 42"
	539 109756...	3	48" MULCH BLADE, 16 <sup>1</sup> / <sub>4</sub> "		539 110709...	1	MULCH CAP, 48"
	539 109757...	3	52" MULCH BLADE, 18"		539 110714...	1	MULCH CAP, 52"
	539 109755...	3	61" MULCH BLADE, 21"		539 110719...	1	MULCH CAP, 61"
2..	539 110700....	1	MULCH BAFFLE, LEFT, 42"	5..	539 976934..	12	HCS <sup>5</sup> / <sub>16</sub> -18 x <sup>3</sup> / <sub>4</sub>
	539 110705...	1	MULCH BAFFLE, LEFT, 48"	6..	539 990188..	15	WASHER <sup>5</sup> / <sub>16</sub> SAE
	539 110710...	1	MULCH BAFFLE, LEFT, 52"	7..	539 990585..	12	NUT <sup>5</sup> / <sub>16</sub> -18 WHIZLK
	539 110715...	1	MULCH BAFFLE, LEFT, 61"	NOT SHOWN			
3..	539 110702....	1	MULCH BAFFLE, RIGHT, 42"		539 111350 ...	1	MULCH KIT, 42"
	539 110707 ...	1	MULCH BAFFLE, RIGHT, 48"		539 111351 ...	1	MULCH KIT, 48"
	539 110712...	1	MULCH BAFFLE, RIGHT, 52"		539 111352 ...	1	MULCH KIT, 52"
	539 110717...	1	MULCH BAFFLE, RIGHT, 61"		539 111353 ...	1	MULCH KIT, 61"

