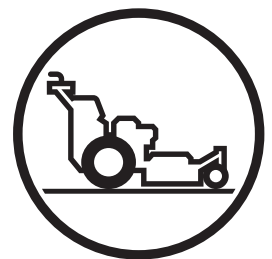


WG3213P / 968999114
WG4815P / 968999278

Parts Manual

WG3613P / 968999116
WG3213P / 968999364

Please read the operator's manual carefully and make sure you understand the instructions before using the machine.



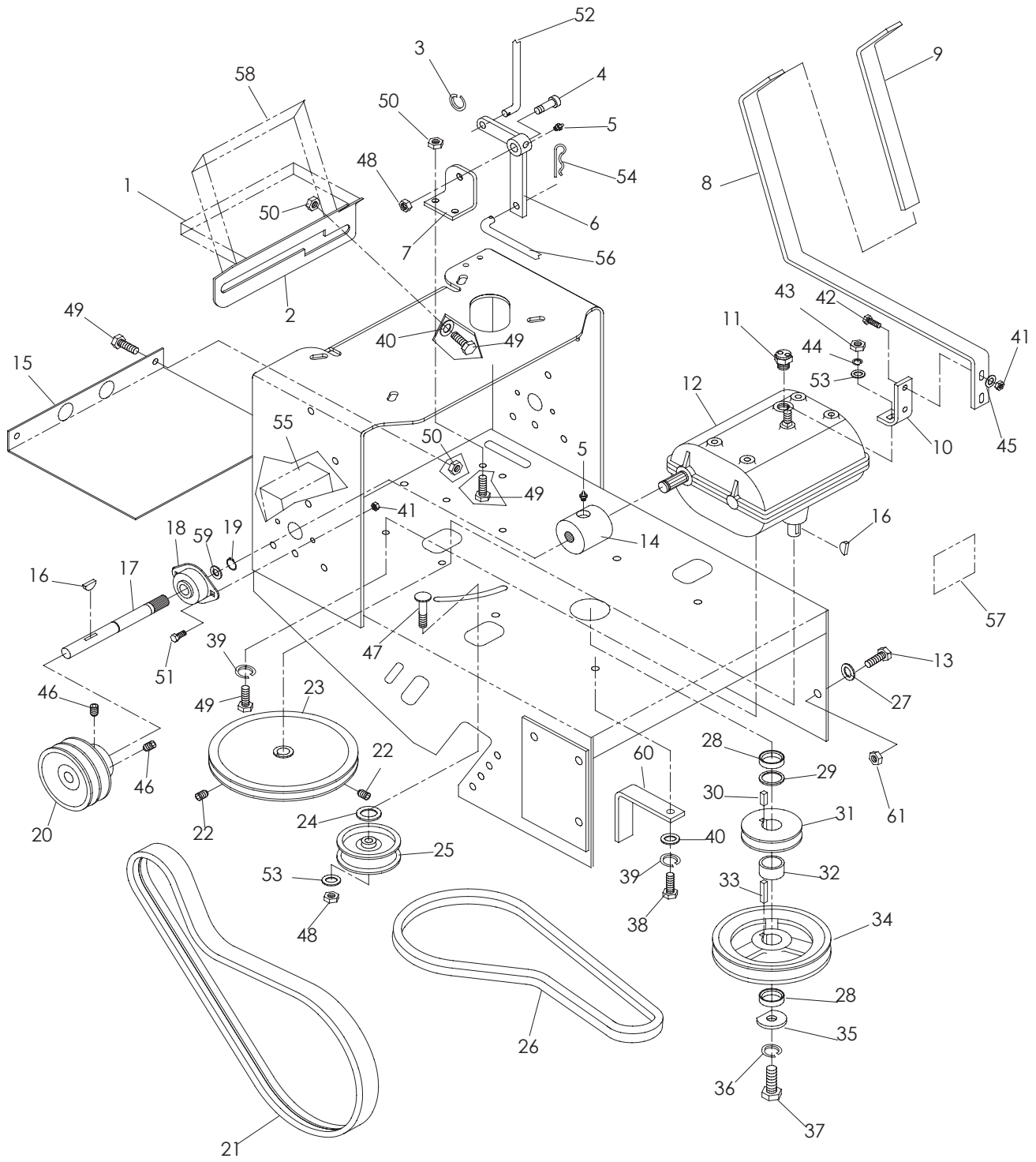
English

CONTENTS

CHASSIS / FRAME	4	32/36" CUTTING DECK	14
DRIVE.....	6	48" CUTTING DECK	16
HANDLE & CONTROLS.....	8	HOUSING.....	18
WHEELS AND TIRES	10	CASTERS.....	20
32" MODEL	10	WIRING HARNESS.....	22
WHEELS AND TIRES	11		
32" MODEL	11		
36" & 48" MODELS	12		

NOTE: ALL FASTENERS ARE GRADE 5 UNLESS OTHERWISE SPECIFIED.

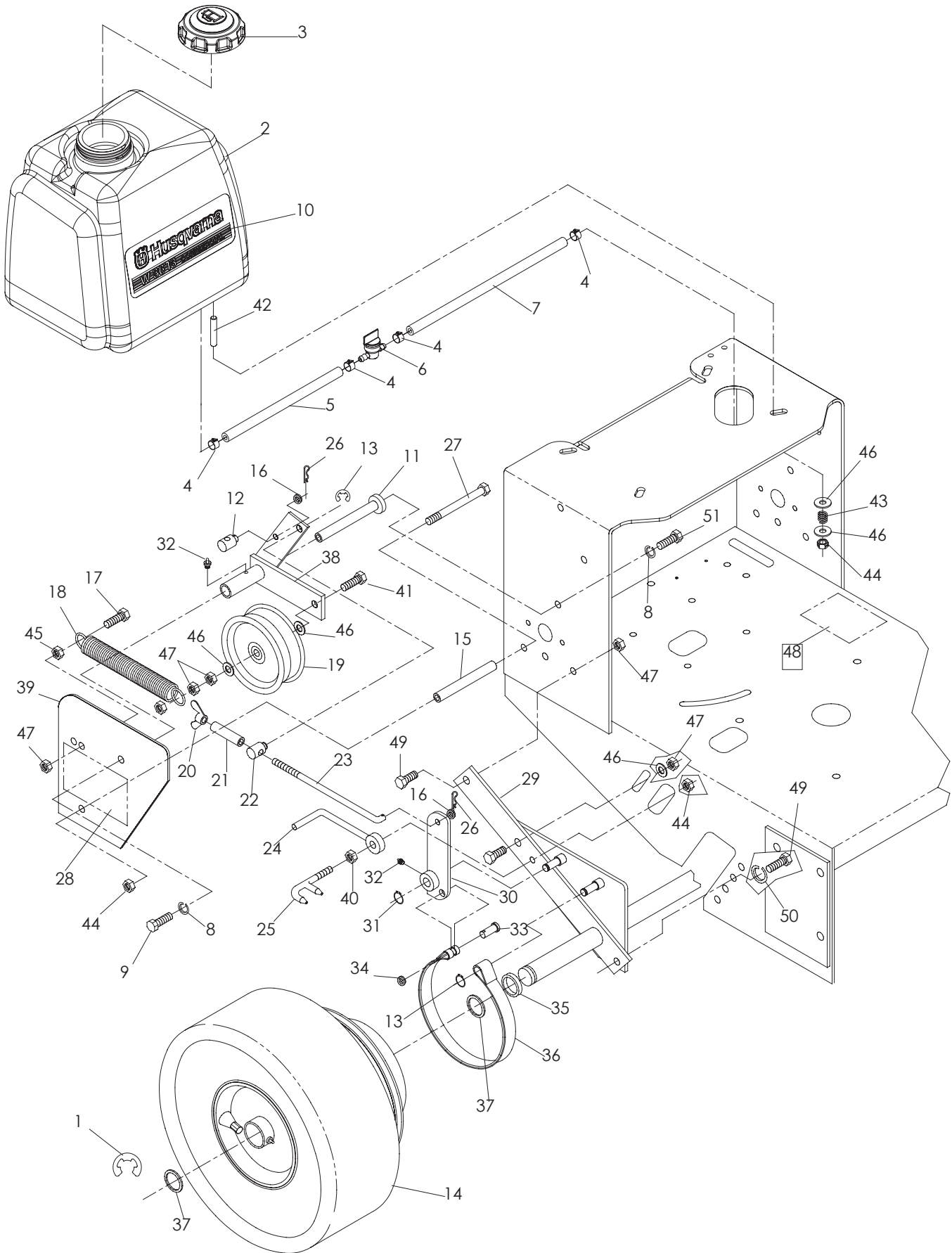
CHASSIS / FRAME



CHASSIS / FRAME

ITEM	PART NO.	QTY.	DESCRIPTION	ITEM	PART NO.	QTY.	DESCRIPTION
1..	539 100277....	1DECAL, SHIFTER	33..	539 101995....	1 KEY ¼ SQ x 1⅛
2..	539 101960....	1PLATE, SHIFTER	34..	539 101834....	1 PULLEY, ENGINE
3..	539 916459....	1RETAINER	35..	539 106504....	1 HEAVY WASHER
4..	539 100150....	1 SB ½-13 x ¾	36..	539 990247....	1 LOCKWASHER 7/16
5..	539 976998....	3ZERK, ¼-28 STRHT	37..	539 100141....	1 HCS 7/16-20 x 1½
6..	539 100066....	1 BELLCRANK	38..	539 100567....	4 HCS M8-1.25 x 30MM
7..	539 104648....	1 BRACKET	39..	539 990187....	8 LOCKWASHER 5/16 STD
8..	539 101961....	1 ARM, SHIFTER	40..	539 990692....	6 WASHER 5/16
9..	539 101965....	1 GRIP, SHIFTER	41..	539 990761....	6 NUT ¼-20 CENTERLOCK
10..	539 102165....	1 BRACKET, SHIFTER	42..	539 977761....	2 HCS ¼-20 x 1
11..	539 100148....	1 SWITCH, TRANSMISSION	43..	539 990155....	1 NUT 3/8-24
12..	539 102162....	1 TRANSMISSION	44..	539 990118....	1 LOCKWASHER 3/8
13..	539 101175....	6 HCS 7/16-14 x 1½	45..	539 990598....	2 WASHER ¼
14..	539 102164....	2 COUPLING	46..	539 976956....	4 SETSCREW 5/16 NYLOC
15..	539 104547....	1 LOWER BELT SHIELD			2 (32" MODELS)
16..	539 910211....	3 KEY #9 WOODRUFF	47..	539 100145....	1 RHSNB 3/8-16 x 2
17..	539 102163....	2 DRIVE SHAFT	48..	539 990546....	2 HLN 3/8-16 CENTERLOCK
18..	539 101967....	2 BEARING	49..	539 976934..	10 HCS 5/16-18 x ¾
19..	539 101971....	2 RETAINER RING	50..	539 990184....	6 HLN 5/16-18
20..	539 101954....	2 PULLEY, DRIVE (36 & 48)	51..	539 990072....	4 HCS ¼-20 x 5/8
	539 102154 ...	2 PULLEY, DRIVE(32)	52..	539 101972....	1 BLADE ROD
21..	539 110859....	2 BELT, DRIVE(36 & 48)	53..	539 990517....	2 WASHER 3/8
	539 102149 ...	2 BELT, DRIVE(32)	54..	539 976989....	1 HAIRPIN, #4
22..	539 101988....	2 SETSCREW ¼ NYLOC	55..	539 105744....	1 DECAL, DANGER
23..	539 101964....	1 INPUT PULLEY	56..	539 102048....	1 BLADE ROD
24..	539 111897....	1 WASHER ½	57..	539 100128....	1 DECAL, EXHAUST
25..	539 919078....	1 IDLER PULLEY	58..	539 102047....	1 DECAL, CLUTCH
26..	539 101957....	1 BELT, TRANSMISSION	59..	539 991043....	2 BUSHING
27..	539 104864....	6 WASHER 7/16	60..	539 103462....	1 BELT GUIDE, LONG
28..	539 921960....	2 SPACER	61..	539 990839....	6 NUT 7/16-14 CENTER LOCK
29..	539 102050....	1 BUSHING				NOT SHOWN
30..	539 105718....	1 KEY ¼ SQ x ½		539 102036 ...	1 BELT GUIDE
31..	539 919148....	1 PULLEY		539 103463 ...	1 BELT GUIDE, SHORT
32..	539 101720....	1 SPACER				

DRIVE



DRIVE

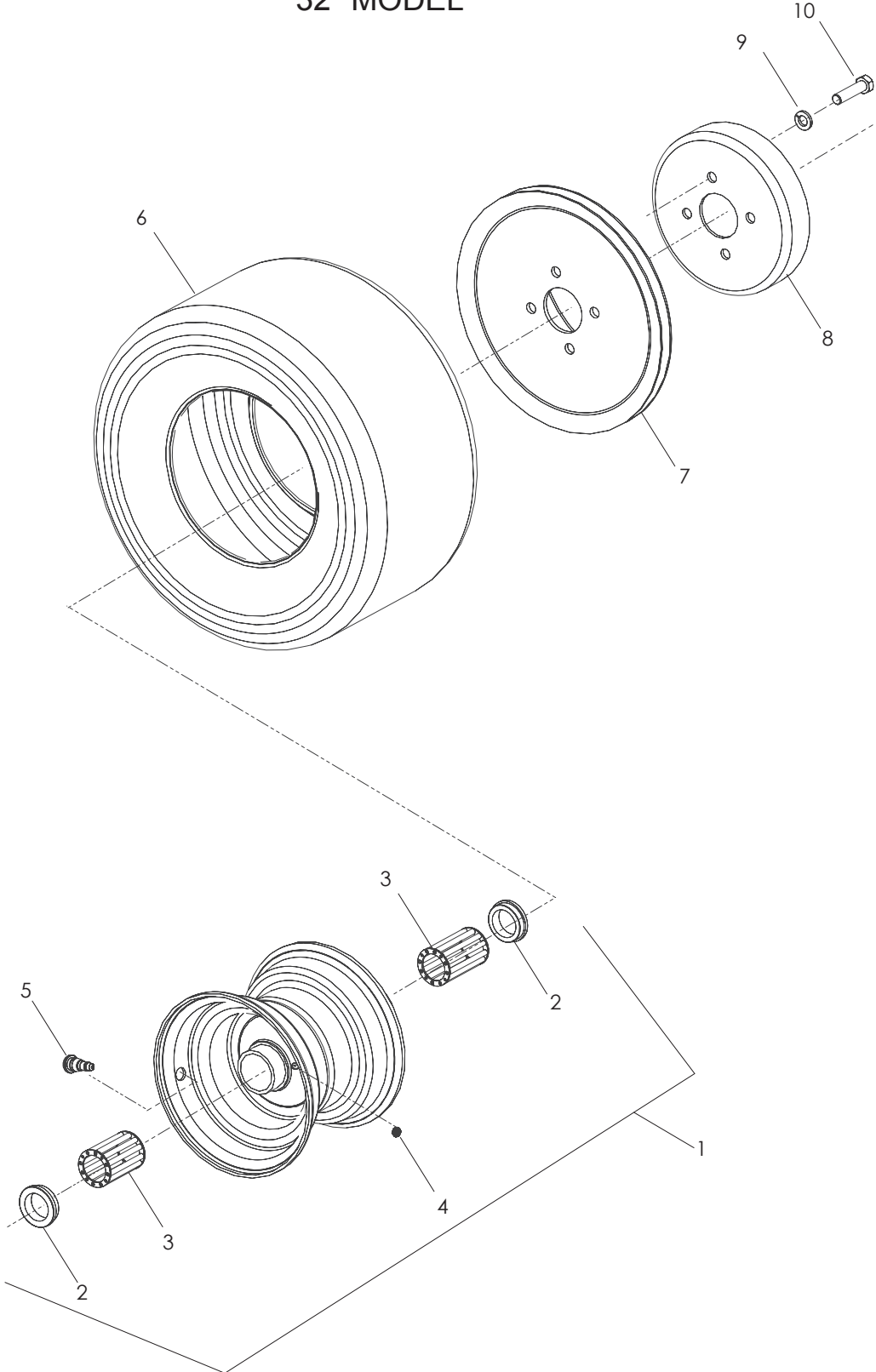
ITEM	PART NO.	QTY.	DESCRIPTION	ITEM	PART NO.	QTY.	DESCRIPTION
1..	539 912730....	2	E-RING, 1"	27..	539 990145....	2	HCS ⁵ / ₁₆ -18 x 5
2..	539 105630....	1	FUEL TANK	28..	539 111054	2	DECAL, CROWN
3..	539 106188....	1	GAS CAP	29..	539 101931....	1	AXLE WLDMT(36 & 48)
4..	539 912222....	4	HOSE CLAMP		539 102152 ...	1	AXLE WLDMT(32)
5..	539 932956....	1	GAS LINE, 10"	30..	539 101934....	1	BRAKE ARM, RT
6..	539 916325....	1	FUEL VALVE		539 102135 ...	1	BRAKE ARM, LT
7..	539 104993....	1	GAS LINE, 14"	31..	539 101949....	2	E-RING, 1/2"
8..	539 990187....	4	LOCKWASHER ⁵ / ₁₆	32..	539 976998....	4	ZERK, 1/4-28 STRAIGHT
9..	539 990209....	4	HCS ⁵ / ₁₆ -18 x 1	33..	539 102049....	2	CLEVIS PIN
10..	539 111056	1	DECAL, W3213	34..	539 913847....	2	BOLT RETAINER, ³ / ₈
	539 104829 ...	1	DECAL, W3613	35..	539 921960....	2	SPACER
	539 104831 ...	1	DECAL, W4815	36..	539 101945....	2	BRAKE BAND
11..	539 102188....	2	PIVOT TUBE	37..	539 916561....	4	BUSHING
12..	539 976434....	2	SWIVEL(SHORT)	38..	539 102168....	1	IDLER PLATE, RT
13..	539 990870....	4	E-RING, ³ / ₈ "		539 102169 ...	1	IDLER PLATE, LT
14..	539 104715....	2	WHEEL ASSM (32) (WITH BRAKE DRUM & PULLEY)	39..	539 101969....	2	FENDER
15..	539 101992....	2	LONG SPACER	40..	539 990585....	2	NUT ⁵ / ₁₆ -18 WHIZLK
16..	539 990692..	12	WASHER ⁵ / ₁₆	41..	539 101350....	2	TAPBOLT ³ / ₈ -16 x 3
17..	539 976941....	2	HCS ³ / ₈ -16 x 1 1/4	42..	539 102502....	4	STUD ⁵ / ₁₆
18..	539 101977....	2	SPRING	43..	539 102845....	4	SPRING
19..	539 101955....	2	IDLER PULLEY	44..	539 990184....	4	NUT ⁵ / ₁₆ -18
20..	539 100276....	2	WINGNUT ⁵ / ₁₆	45..	539 990613....	2	NUT ³ / ₈ -16 WHIZLK
21..	539 100097....	2	SPACER	46..	539 990517....	8	WASHER ³ / ₈
22..	539 101940....	2	SWIVEL	47..	539 990546..	12	NUT ³ / ₈ -16 CENTERLOCK
23..	539 101939....	2	BRAKE ROD	48..	539 101881....	1	DECAL, PROP 65
24..	539 101973....	2	BELT GUIDE	49..	539 990563....	6	HCS ³ / ₈ -16 x 1
25..	539 102035....	2	SCRAPER (36 & 48)	50..	539 990118....	2	LOCKWASHER ³ / ₈
	539 102155 ...	2	SCRAPER (32)				
26..	539 976988....	4	COTTER HAIRPIN, #2				

HANDLE & CONTROLS

ITEM	PART NO.	QTY.	DESCRIPTION	ITEM	PART NO.	QTY.	DESCRIPTION
1..	539 990055	13 WASHER ¹ / ₄ , SAE	23..	539 101935	1 DECAL, OPERATION
2..	539 976387	1 LATCH, LT W/GRIP	24..	539 976526	1 GRIP
	539 976388	1 LATCH, RT W/GRIP	25..	539 100082	1 LEVER
3..	539 976983	2 WASHER, WAVE SPRING	26..	539 990517	2 WASHER ³ / ₈
4..	539 991003	2 HCS ¹ / ₄ -20 x 1 ³ / ₄	27..	539 101219	2 FIBER WASHER
5..	539 977884	2 PIN, CLEVIS	28..	539 912063	1 CONE WASHER
6..	539 977886	4 BUSHING	29..	539 990546	5 NUT ³ / ₈ -16 CENTERLOCK
7..	539 977857	2 LEVER, OP W/GRIP	30..	539 990563	4 HCS ³ / ₈ -16 x 1
8..	539 100285	2 DECAL, THUMB LATCH	31..	539 977465	1 YOKE
9..	539 914734	2 PUSH NUT	32..	539 916459	1 RETAINER, RING
10..	539 990761	5 NUT ¹ / ₄ -20 CENTERLOCK	33..	539 977703	1 CLEVIS PIN
11..	539 976488	2 GRIP HANDLE	34..	539 977250	2 SPRING
12..	539 923313	2 ROLL PIN ⁵ / ₁₆ x 1 ¹ / ₈	35..	539 919098	3 SWITCH
13..	539 131156	2 LEVER, MOLDED DRIVE	36..	539 101801	2 OP LINKAGE
14..	539 990692	2 WASHER ⁵ / ₁₆	37..	539 976952	6 SCREW, #10-24 x ⁵ / ₈
15..	539 101986	2 TRACTION ROD	38..	539 102062	1 UPPER HANDLE W/DECALS
16..	539 976988	2 COTTER HAIRPIN, #2	39..	539 101891	1 DECAL, OPERATION
17..	539 101963	1 THROTTLE CNTRL W/BALL	40..	539 101972	1 BLADE ROD
	539 106553	1 THROTTLE CNTRL W/BALL MODEL 968999278	41..	539 102678	3 TAPPED PLATE
18..	539 990302	2 SCREW ¹ / ₄ -20 x ³ / ₈ SELF TAP	NOT SHOWN			
19..	539 990580	3 HCS ¹ / ₄ -20 x ³ / ₄	539 976856	4 WIRE TIE	
20..	539 990655	1 HCS ³ / ₈ -16 x 1 ¹ / ₂	539 911853	1 KEY SWITCH COMPLETE MODEL 968999278	
21..	539 101781	1 MODULE				
22..	539101984	1 HANDLE HARNESS				
	539 106531	1 HANDLE HARNESS MODEL 968999278				

WHEELS AND TIRES

32" MODEL



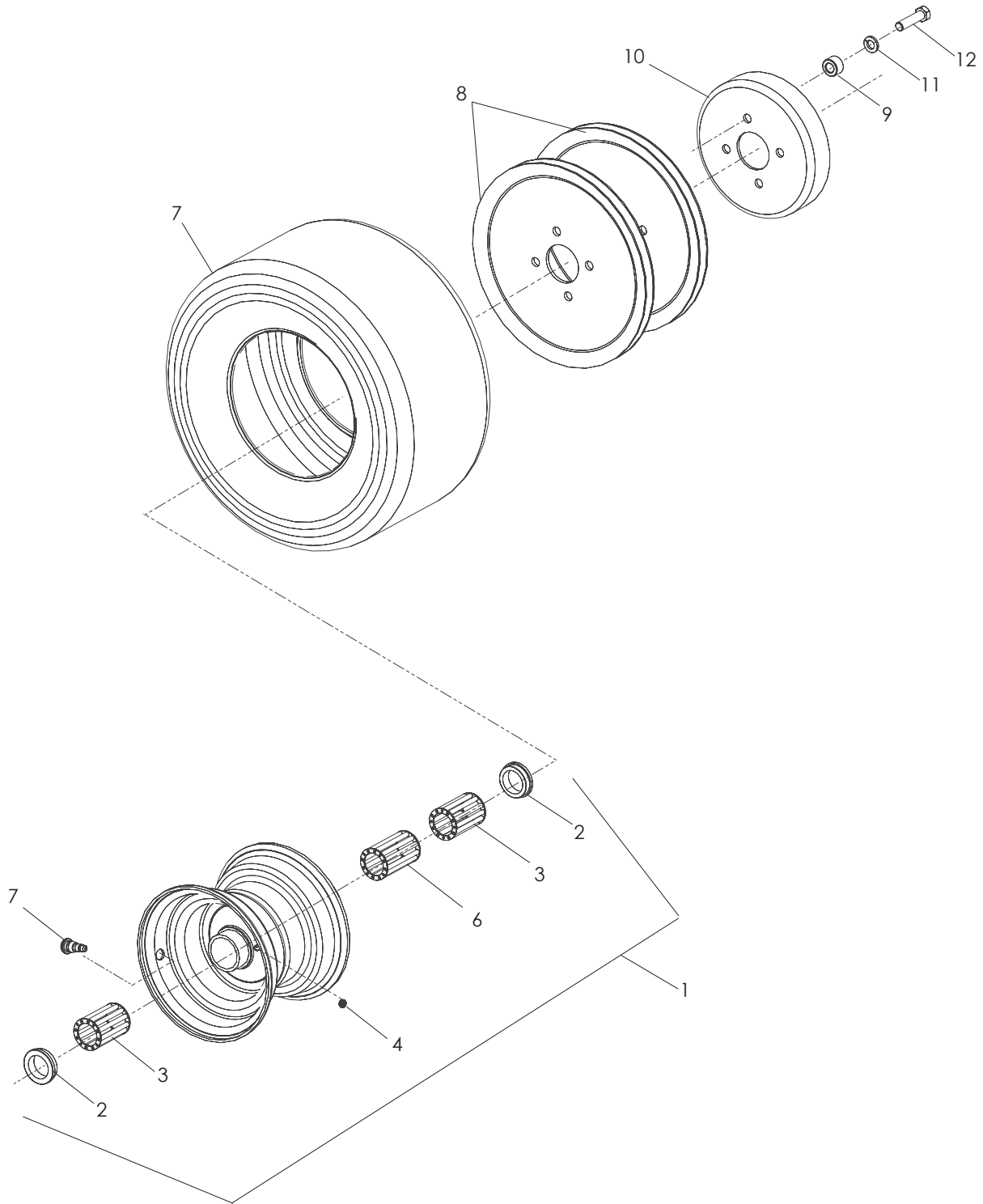
WHEELS AND TIRES

32" MODEL

ITEM	PART NO.	QTY.	DESCRIPTION	ITEM	PART NO.	QTY.	DESCRIPTION
1..	539 104714....	1	WHEEL ASSM (INCLUDES ITEMS 2-6)	6..	539 977222....	1	TIRE
2..	539 100395....	2	END CAP	7..	539 976522....	1	TRACTION PULLEY
3..	539 100393....	2	ROLLER BEARING	8..	539 101946....	1	BRAKE DRUM
4..	539 976998....	1	ZERK 1/4-28 STRAIGHT	9..	539 990118....	4	LOCKWASHER 3/8
5..	539 912234....	1	AIR VALVE	10..	539 977748....	4	HCS 3/8-24 x 3/4

WHEELS AND TIRES

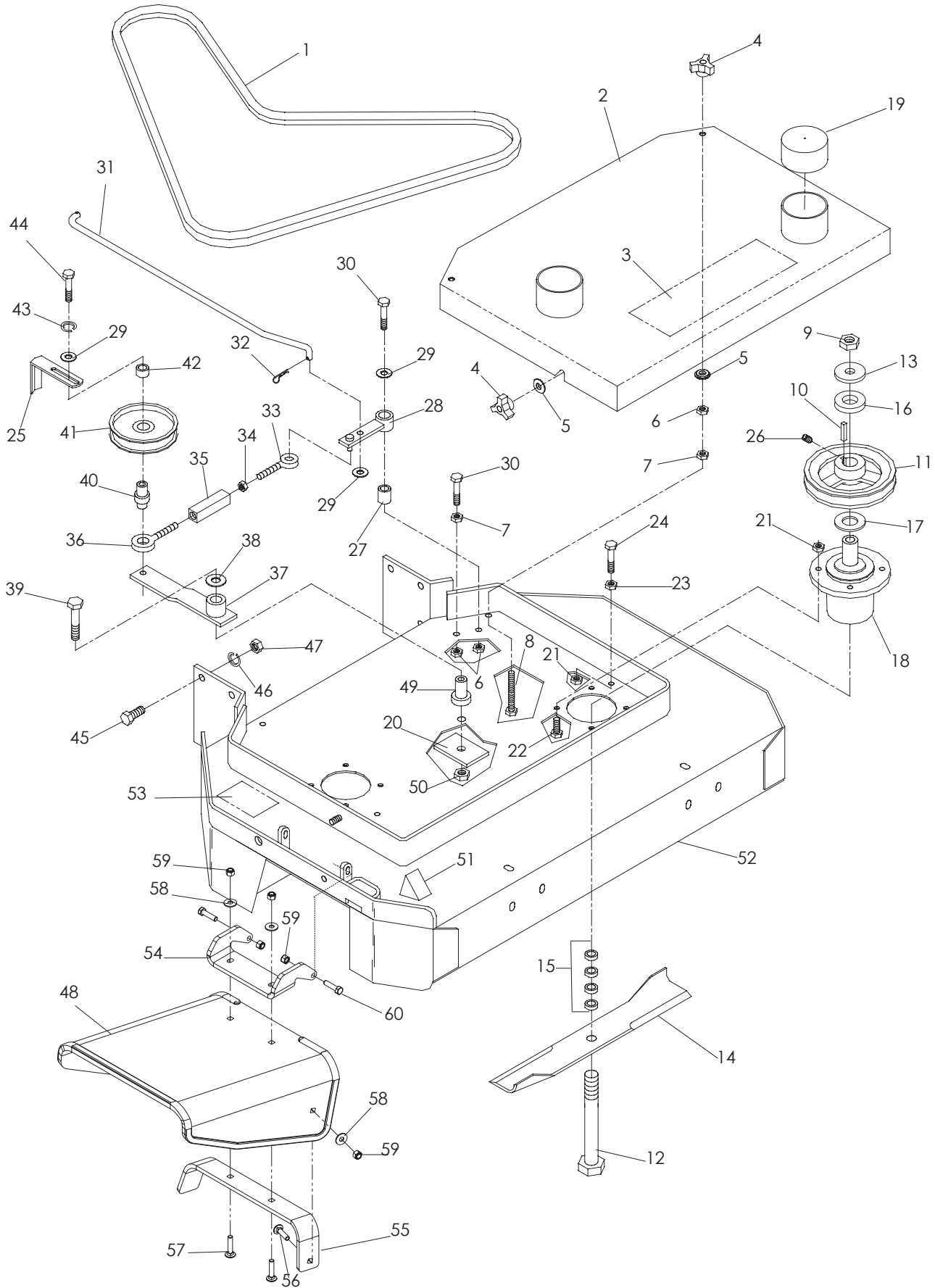
36" & 48" MODELS



WHEELS AND TIRES

ITEM	PART NO.	QTY.	DESCRIPTION	ITEM	PART NO.	QTY.	DESCRIPTION
1..	539 104758....	1	WHEEL ASSM	9..	539 101946....	1	BRAKE DRUM
2..	539 100395....	2	END CAP	10..	539 990118....	4	LOCKWASHER ³ / ₈
3..	539 102161....	2	ROLLER BEARING(SHORT)	11..	539 990164....	4	HCS ³ / ₈ -24 x 1½
4..	539 976998....	1	ZERK ¼-28 STRAIGHT				
5..	539 100393....	1	ROLLER BEARING(LONG)				
6..	539 912234....	1	AIR VALVE				
7..	539 938473....	2	TRACTION PULLEY				
8..	539 923515....	4	SPACER				

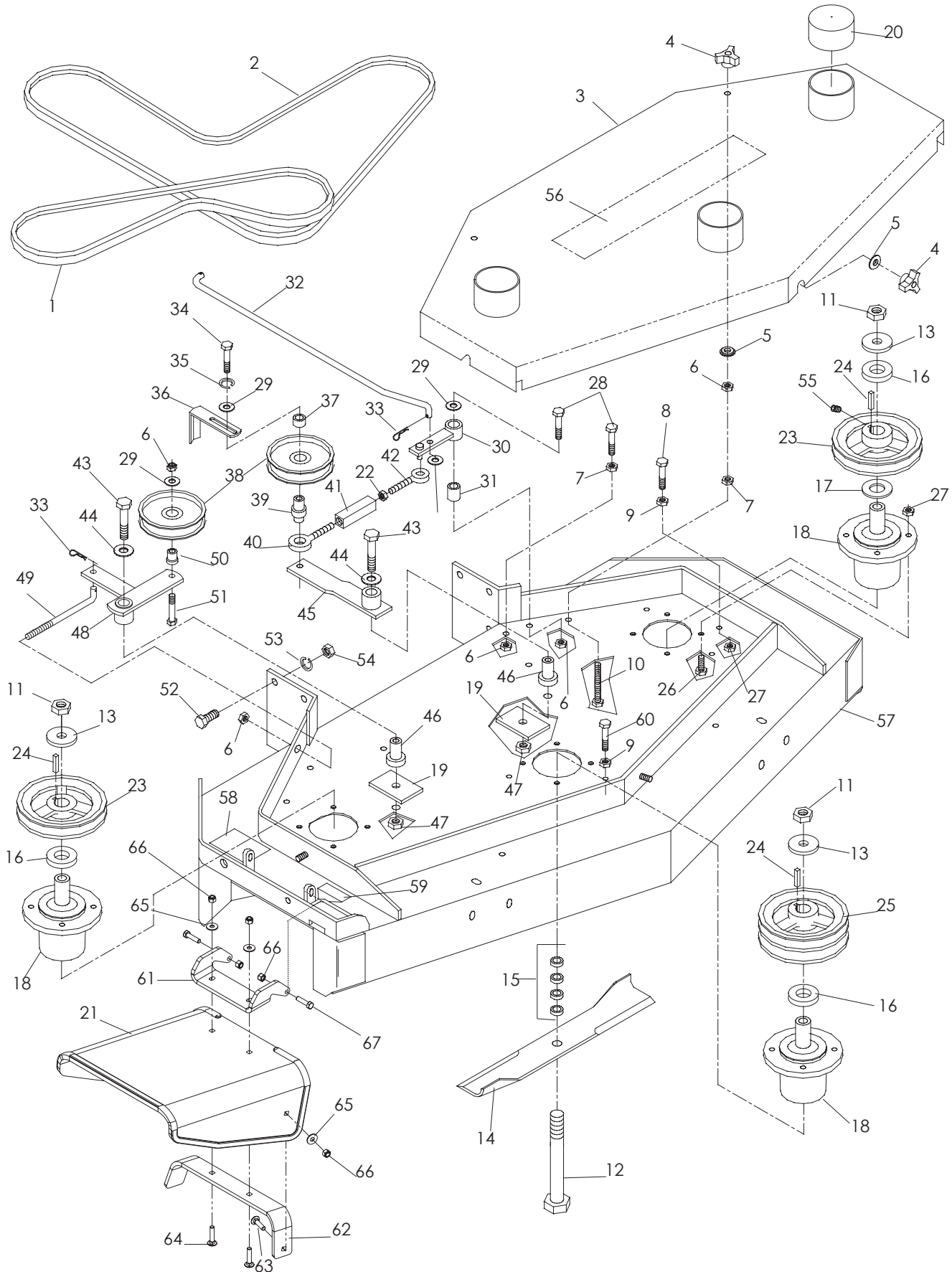
32/36" CUTTING DECK



32/36" CUTTING DECK

ITEM	PART NO.	QTY.	DESCRIPTION	ITEM	PART NO.	QTY.	DESCRIPTION
1..	539 1019591 36" DECK BELT	30..	539 9906292 HCS $\frac{3}{8}$ -16 x 2 $\frac{1}{4}$
	539 1021481 32" DECK BELT	31..	539 1020481 BLADE ROD 32 & 36
2..	539 1045611 36" BELT SHIELD	32..	539 9769881 COTTER HAIRPIN, #2
	539 1046501 32" BELT SHIELD	33..	539 1019821 EYEBOLT, RH
3..	539 1110471 DECAL, HUSQVARNA	34..	539 9901961 NUT $\frac{5}{16}$ -18
4..	539 1020704 KNOB, THREE PRONG	35..	539 1019831 TURNBUCKLE
5..	539 1020564 WASHER $\frac{3}{8}$, SEALING	36..	539 1019811 EYEBOLT, LH
6..	539 9905464 NUT $\frac{3}{8}$ -16 CENTERLOCK	37..	539 1019781 ARM WLDMT
7..	539 9906133 NUT $\frac{3}{8}$ -16 WHIZLK	38..	539 9905501 WASHER $\frac{1}{2}$
8..	539 1023342 TAPBOLT $\frac{3}{8}$ -16 x 4 $\frac{1}{2}$	39..	539 1013321 HCS $\frac{1}{2}$ -13 x 2 $\frac{3}{4}$
9..	539 9769802 NUT $\frac{5}{8}$ -18	40..	539 1019801 EYEBOLT PIVOT
10..	539 1019952 KEY $\frac{1}{4}$ SQ x 1 $\frac{1}{8}$	41..	539 9766881 IDLER PULLEY
11..	539 9763982 PULLEY W/SETSCREWS	42..	539 1026561 SPACER
12..	539 1023322 HCS $\frac{5}{8}$ -18 x 8 $\frac{1}{2}$	43..	539 9901181 LOCKWASHER $\frac{3}{8}$
13..	539 1022432 SUPPORT WASHER	44..	539 9906371 HCS $\frac{3}{8}$ -16 x 2 $\frac{1}{2}$
14..	539 1003412 BLADE 18"(36)	45..	539 1011756 HCS $\frac{7}{16}$ -14 x 1 $\frac{1}{2}$
	539 1003402 BLADE 16 $\frac{1}{4}$ "(32)	46..	539 9902476 LOCKWASHER $\frac{7}{16}$
15..	539 9764368 BLADE SPACERS	47..	539 9904496 NUT $\frac{7}{16}$ -14
16..	539 1022452 SPACER	48..	539 1309031 CHUTE, RUBBER
17..	539 1026752 BUSHING 10 GA	49..	539 1012311 IDLER SPINDLE
18..	539 1074182 HOUSING ASSM	50..	539 1013311 NUT $\frac{1}{2}$ -13 NYLOC
19..	539 1023202 TUBE CAP	51..	539 9130101 DECAL, CPSC
20..	539 1022361 PAD (NOT USED 32")	52..	539 1045631 DECK, 36" W/DECALS
21..	539 99018416 NUT $\frac{5}{16}$ -18		539 1046201 DECK, 32" W/DECALS
22..	539 99020910 HCS $\frac{5}{16}$ -18 x 1	53..	539 1057461 DECAL, DANGER
23..	539 9905856 NUT $\frac{5}{16}$ -18 WHIZLK	54..	539 1309161 PIVOT BRACKET
24..	539 9905536 HCS $\frac{5}{16}$ -18 x 3	55..	539 1309221 REINFORCE BRACKET
25..	539 1000751 SNUBBER	56..	539 1004721 RHSNB $\frac{5}{16}$ -18 x 1 $\frac{1}{4}$
26..	539 9769564 SETSCREW $\frac{5}{16}$ NYLOC	57..	539 1029331 RHSNB $\frac{5}{16}$ -18 x 1 $\frac{1}{2}$
27..	539 1018361 SLEEVE BUSHING	58..	539 9906921 WASHER $\frac{5}{16}$
28..	539 1019791 ENGAGEMENT ARM	59..	539 9907171 NUT $\frac{5}{16}$ -18 NYLOC
29..	539 9905173 WASHER $\frac{3}{8}$	60..	539 9906271 HCS $\frac{5}{16}$ -18 x 1 $\frac{1}{4}$

48" CUTTING DECK



48" CUTTING DECK

ITEM	PART NO.	QTY.	DESCRIPTION	ITEM	PART NO.	QTY.	DESCRIPTION
1..	539 100024....	1	BELT, AUX BLADE	34..	539 990637....	1	HCS $\frac{3}{8}$ -16 x 2 $\frac{1}{2}$
2..	539 101958....	1	BELT, BLADE 48	35..	539 990118....	1	LOCKWASHER $\frac{3}{8}$
3..	539 104562....	1	BELT SHIELD, 48"	36..	539 100075....	1	SNUBBER
4..	539 102070....	5	KNOB, THREE PRONG	37..	539 102656....	1	SPACER
5..	539 102056....	5	WASHER $\frac{3}{8}$ SEALING	38..	539 976688....	2	IDLER PULLEY
6..	539 990546....	6	NUT $\frac{3}{8}$ -16 CENTERLOCK	39..	539 101980....	1	EYEBOLT PIVOT
7..	539 990613....	6	NUT $\frac{3}{8}$ -16 WHIZLK	40..	539 101981....	1	EYEBOLT, LH
8..	539 990553....	4	HCS $\frac{5}{16}$ -18 x 3	41..	539 101983....	1	TURNBUCKLE
9..	539 990585....	7	NUT $\frac{5}{16}$ -18 WHIZLK	42..	539 101982....	1	EYEBOLT, RH
10..	539 102334....	2	TAPBOLT $\frac{3}{8}$ -16 x 4 $\frac{1}{2}$	43..	539 101332....	2	HCS $\frac{1}{2}$ -13 x 2 $\frac{3}{4}$
11..	539 976980....	3	NUT $\frac{5}{8}$ -18	44..	539 990550....	3	WASHER $\frac{1}{2}$
12..	539 102332....	2	HCS $\frac{5}{8}$ -18 x 8 $\frac{1}{2}$	45..	539 101978....	1	ARM WLDMT
	539 101100....	1	HCS $\frac{5}{8}$ -18 x 9 (Center blade)	46..	539 101231....	2	IDLER SPINDLE
13..	539 102243....	3	SUPPORT WASHER	47..	539 101331....	2	NUT $\frac{1}{2}$ -13 NYLOC
14..	539 100340....	3	BLADE 16 $\frac{1}{4}$ "	48..	539 102237....	1	ARM, AUX IDLER
15..	539 976436....	12	BLADE SPACERS	49..	539 102337....	1	TENSION ROD
16..	539 102245....	3	SPACER	50..	539 976695....	1	IDLER FLANGE BUSHING
17..	539 102675....	1	BUSHING 10 GA	51..	539 990730....	1	HCS $\frac{3}{8}$ -16 x 1 $\frac{3}{4}$
18..	539 107418....	3	HOUSING ASSM	52..	539 101175....	6	HCS $\frac{7}{16}$ -14 x 1 $\frac{1}{2}$
19..	539 102236....	2	PAD	53..	539 990247....	6	LOCKWASHER $\frac{7}{16}$
20..	539 102320....	3	TUBE CAP	54..	539 990449....	6	NUT $\frac{7}{16}$ -14
21..	539 130903....	1	CHUTE, RUBBER	55..	539 976956....	6	SETSCREW $\frac{5}{16}$ NYLOC
22..	539 990196....	1	NUT $\frac{5}{16}$ -18	56..	539 111047....	1	DECAL, HUSQVARNA
23..	539 976398....	2	PULLEY W/SETSCREWS	57..	539 104564....	1	DECK 48" W/DECALS
24..	539 101995....	3	KEY $\frac{1}{4}$ SQ x 1 $\frac{1}{8}$	58..	539 105746....	1	DECAL, DANGER
25..	539 101819....	1	PULLEY, DBL W/SETSCREW	59..	539 913010....	1	DECAL, CPSC
26..	539 990209....	14	HCS $\frac{5}{16}$ -18 x 1	60..	539 102335....	3	HCS $\frac{5}{16}$ -18 x 4
27..	539 990184....	21	NUT $\frac{5}{16}$ -18	61..	539 130916....	1	PIVOT BRACKET
28..	539 990629....	2	HCS $\frac{3}{8}$ -16 x 2 $\frac{1}{4}$	62..	539 130922....	1	REINFORCE BRACKET
29..	539 990517....	4	WASHER $\frac{3}{8}$	63..	539 100472....	1	RHSNB $\frac{5}{16}$ -18 x 1 $\frac{1}{4}$
30..	539 101979....	1	ENGAGEMENT ARM	64..	539 102933....	1	RHSNB $\frac{5}{16}$ -18 x 1 $\frac{1}{2}$
31..	539 101836....	1	SLEEVE BUSHING	65..	539 990692....	1	WASHER $\frac{5}{16}$
32..	539 102031....	1	BLADE ROD 48"	66..	539 990717....	1	NUT $\frac{5}{16}$ -18 NYLOC
33..	539 976988....	2	COTTER HAIRPIN, #2	67..	539 990627....	1	HCS $\frac{5}{16}$ -18 x 1 $\frac{1}{4}$

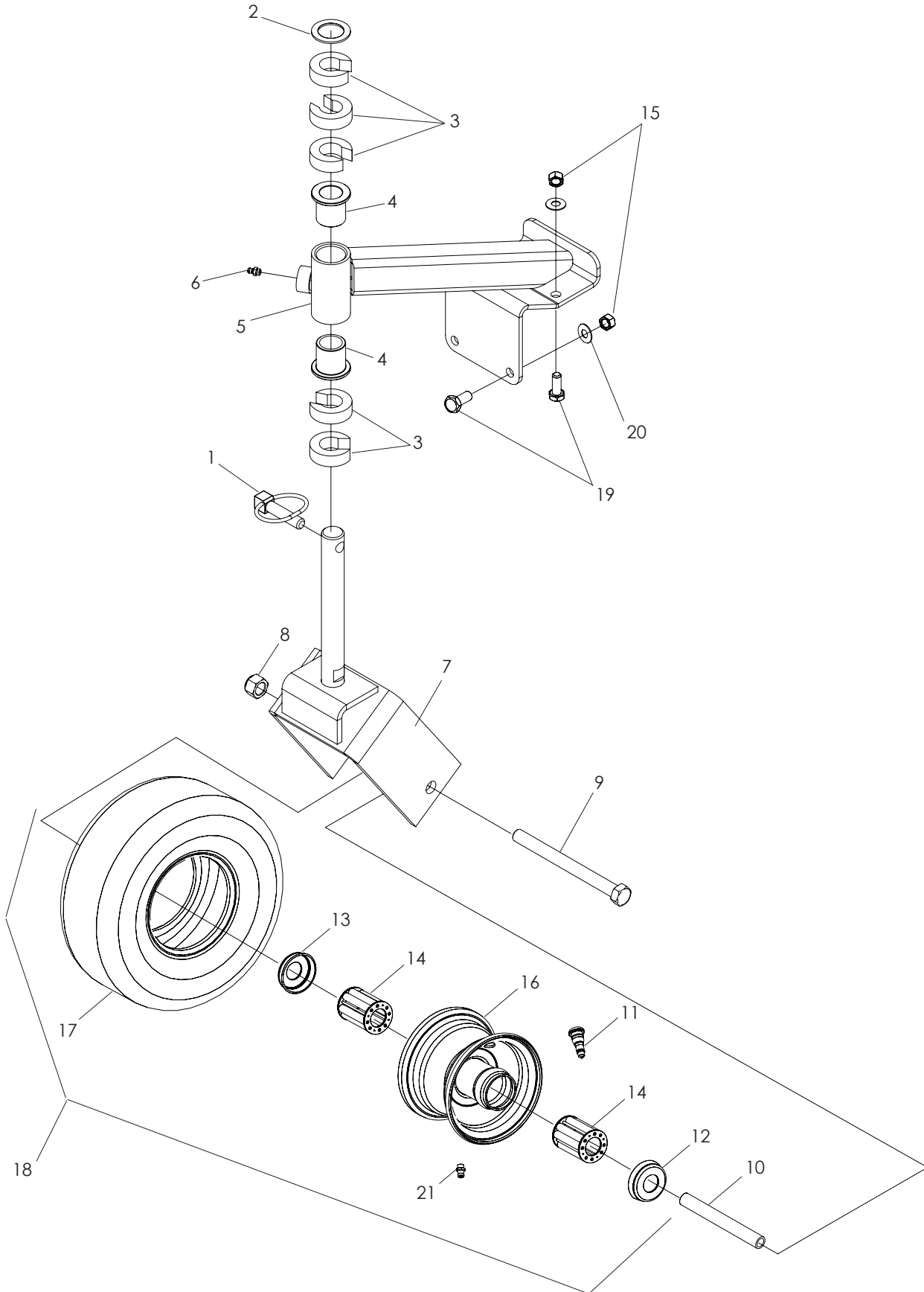
HOUSING

ITEM	PART NO.	QTY.	DESCRIPTION	ITEM	PART NO.	QTY.	DESCRIPTION
1..	539 107418....	1	HOUSING ASSM (INCLUDES ITEMS 2-8)	8..	539 976398....	1	PULLEY W/SETSCREWS
2..	539 115279....	1	BUSHING 10 GA	9..	539 101819....	1	PULLEY, DBL W/SETSCREWS
3..	539 102677....	2	BEARING	10..	539 102245....	1	SPACER ³ / ₈ "
4..	539 102673....	1	HOUSING	11..	539 102243....	1	SUPPORT WASHER
5..	539 102676....	1	SPACER	12..	539 101995....	1	KEY ¹ / ₄ SQ. x 1 ¹ / ₈
6..	539 102674....	1	SPINDLE	13..	539 976956....	2	SETSCREW ⁵ / ₁₆ NYLOC
7..	539 107272....	2	COMBO SPACER				SEE PAGES 10 - 13 FOR CORRECT BLADE BOLT, NUT BLADE SPACERS, AND BLADE FOR YOUR MODEL.

NOTE:
THIS HOUSING ASSEMBLY (ITEM 1) IS USED IN CONJUNCTION WITH DIFFERENT PULLEYS AND SPACERS. IT IS CRITICAL THAT YOU USE THE RIGHT SPACERS IN THE RIGHT LOCATION FOR THE DIFFERENT SPINDLE COMBINATIONS. (ALSO REFER TO THE OPERATOR'S MANUAL)

NOTE:
THIS HOUSING ASSEMBLY (ITEM 1) WILL NOT WORK IF THESE ITEMS ARE NOT IN THEIR PROPER LOCATION OR ORIENTATION.

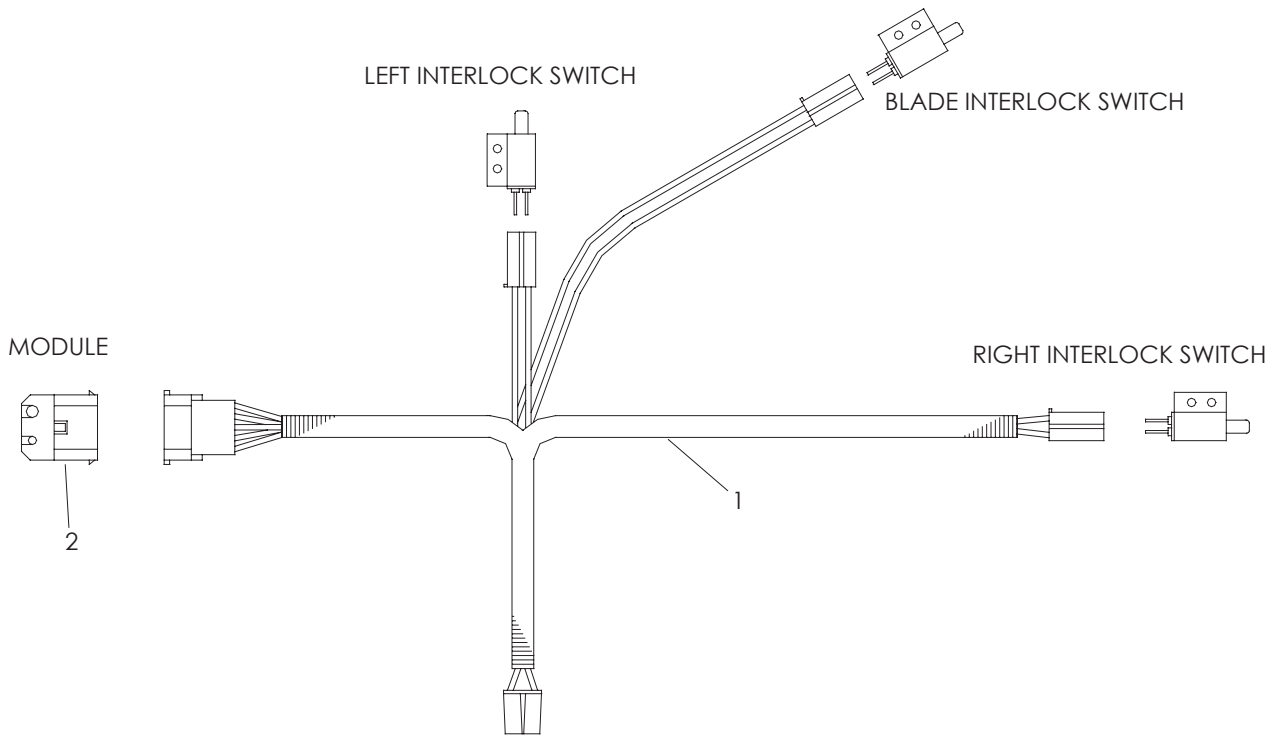
CASTERS



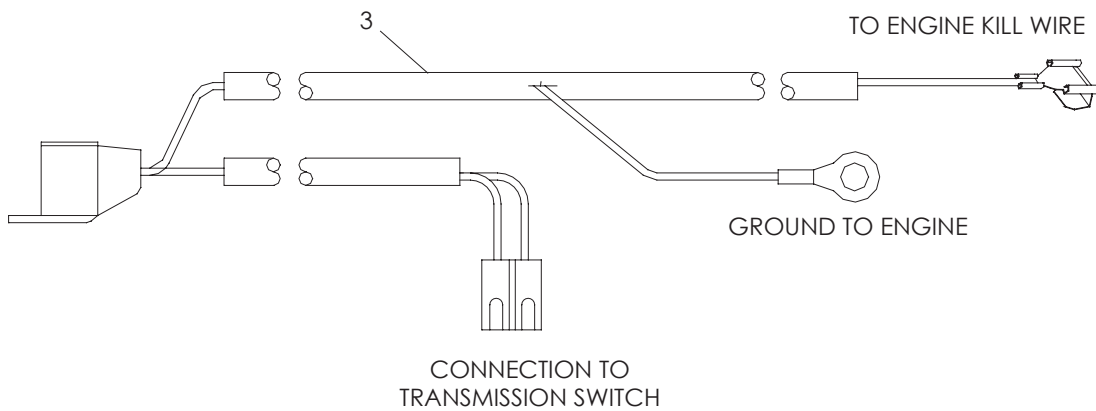
CASTERS

ITEM	PART NO.	QTY.	DESCRIPTION	ITEM	PART NO.	QTY.	DESCRIPTION
1..	539 101874....	1 LYNCH PIN $\frac{7}{16}$	12..	539 977356....	1 ENDCAP, NOTCHED
2..	539 916561....	1 BUSHING	13..	539 923557....	1 ENDCAP
3..	539 101873....	5 C SPACER	14..	539 977353....	2 ROLLER BEARING
4..	539 101232....	2 FLANGE BUSHING	15..	539 990546....	3 NUT $\frac{3}{8}$ -16 CENTERLOCK
5..	539 104555....	1 CASTER ARM W/BUSHING	16..	539 104618....	1 RIM
6..	539 976997....	1 ZERK $\frac{1}{8}$ NPT	17..	539 101905....	1 TIRE 9"
7..	539 104554....	1 CASTER YOKE	18..	539 104556....	1 TIRE & WHEEL
8..	539 101331....	1 NUT $\frac{1}{2}$ -13 NYLOC	19..	539 990563....	3 HCS $\frac{3}{8}$ -16 x 1
9..	539 101907....	1 HCS $\frac{1}{2}$ -13 x $5\frac{1}{2}$	20..	539 990517....	3 WASHER $\frac{3}{8}$
10..	539 101872....	1 SPACER	21..	539 976997....	1 ZERK $\frac{1}{8}$ NPT
11..	539 912234....	1 AIR VALVE		539 104559 ...	1 FRONT WHEEL CASTER KIT INCLUDES ITEMS 1-20)

WIRING HARNESS



GROUND HARNESS KOHLER



WIRING HARNESS

ITEM	PART NO.	QTY.	DESCRIPTION
1..	539 101984....1	HANDLE HARNESS
2..	539 101781....1	MODULE

ITEM	PART NO.	QTY.	DESCRIPTION
3..	539 104991....1	GROUND HARNESS

