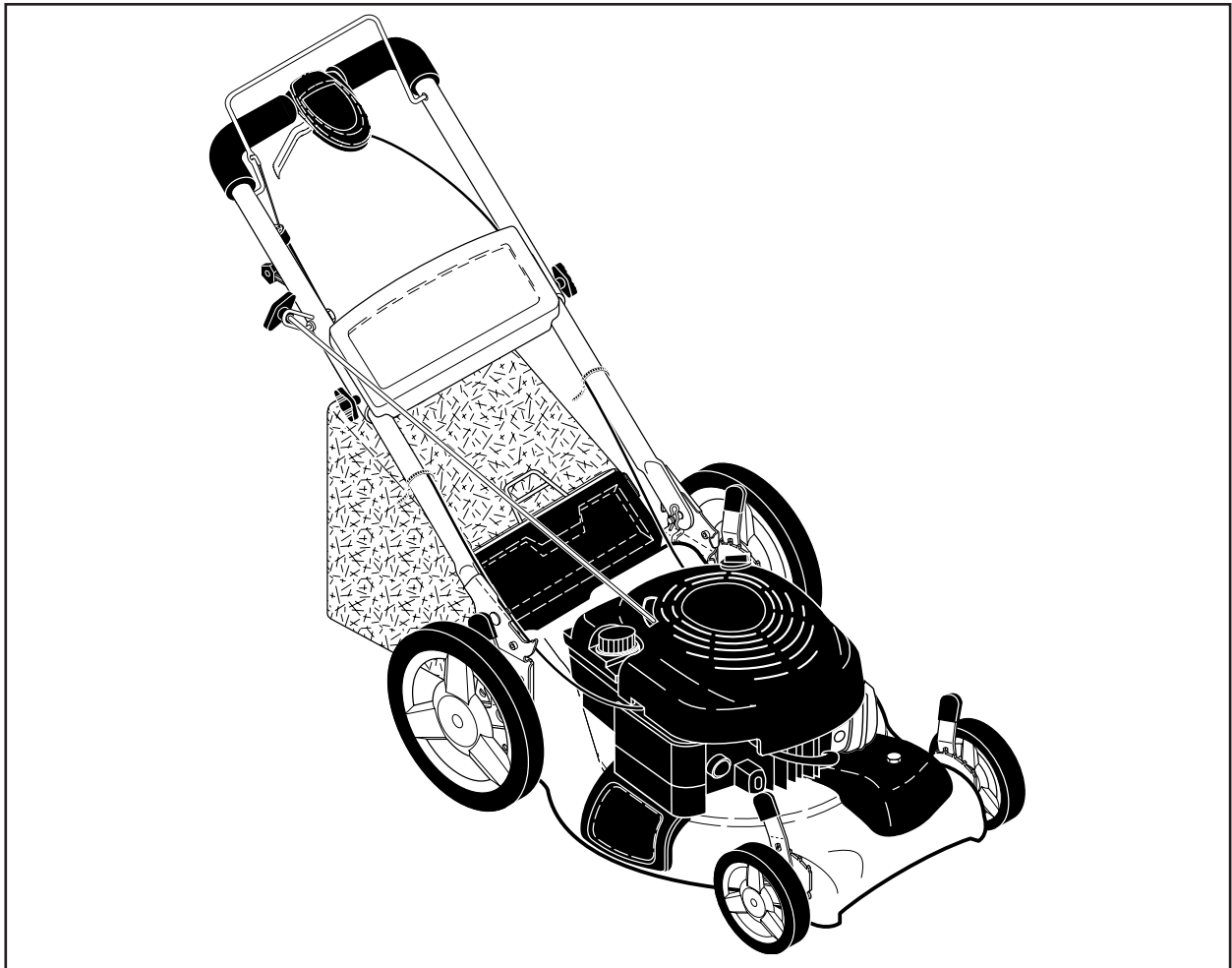


# Husqvarna



# 67521ES

---

**Owner's Manual**



# SAFETY RULES



## Safe Operation Practices for Walk-Behind Mowers

**IMPORTANT:** THIS CUTTING MACHINE IS CAPABLE OF AMPUTATING HANDS AND FEET AND THROWING OBJECTS. FAILURE TO OBSERVE THE FOLLOWING SAFETY INSTRUCTIONS COULD RESULT IN SERIOUS INJURY OR DEATH.



Look for this symbol to point out important safety precautions. It means **CAUTION!!! BECOME ALERT!!! YOUR SAFETY IS INVOLVED.**



**CAUTION:** Always disconnect spark plug wire and place wire where it cannot contact spark plug in order to prevent accidental starting when setting up, transporting, adjusting or making repairs.



**WARNING:** Engine exhaust, some of its constituents, and certain vehicle components contain or emit chemicals known to the State of California to cause cancer and birth defects or other reproductive harm.



**WARNING:** Battery posts, terminals and related accessories contain lead and lead compounds, chemicals known to the State of California to cause cancer and birth defects or other reproductive harm. Wash hands after handling.



**CAUTION:** Muffler and other engine parts become extremely hot during operation and remain hot after engine has stopped. To avoid severe burns on contact, stay away from these areas.

### I. GENERAL OPERATION

- Read, understand, and follow all instructions on the machine and in the manual(s) before starting. Be thoroughly familiar with the controls and the proper use of the machine before starting.
- Do not put hands or feet near or under rotating parts. Keep clear of the discharge opening at all times.
- Only allow responsible individuals, who are familiar with the instructions, to operate the machine.
- Clear the area of objects such as rocks, toys, wire, bones, sticks, etc., which could be picked up and thrown by the blade.
- Be sure the area is clear of other people before mowing. Stop machine if anyone enters the area.
- Do not operate the mower when barefoot or wearing open sandals. Always wear substantial foot wear.
- Do not pull mower backwards unless absolutely necessary. Always look down and behind before and while moving backwards.
- Never direct discharged material toward anyone. Avoid discharging material against a wall or obstruction. Material may ricochet back toward the operator. Stop the blade when crossing gravel surfaces.
- Do not operate the mower without proper guards, plates, grass catcher or other safety protective devices in place.
- See manufacturer's instructions for proper operation and installation of accessories. Only use accessories approved by the manufacturer.

- Stop the blade(s) when crossing gravel drives, walks, or roads.
- Stop the engine (motor) whenever you leave the equipment, before cleaning the mower or unclogging the chute.
- Shut the engine (motor) off and wait until the blade comes to complete stop before removing grass catcher.
- Mow only in daylight or good artificial light.
- Do not operate the machine while under the influence of alcohol or drugs.
- Never operate machine in wet grass. Always be sure of your footing: keep a firm hold on the handle and walk; never run.
- Disengage the self-propelled mechanism or drive clutch on mowers so equipped before starting the engine (motor).
- If the equipment should start to vibrate abnormally, stop the engine (motor) and check immediately for the cause. Vibration is generally a warning of trouble.
- Always wear safety goggles or safety glasses with side shields when operating mower.

### II. SLOPE OPERATION

Slopes are a major factor related to slip and fall accidents which can result in severe injury. All slopes require extra caution. If you feel uneasy on a slope, do not mow it.

#### DO:

- Mow across the face of slopes: never up and down. Exercise extreme caution when changing direction on slopes.
- Remove obstacles such as rocks, tree limbs, etc.
- Watch for holes, ruts, or bumps. Tall grass can hide obstacles.

#### DO NOT:

- Do not trim near drop-offs, ditches or embankments. The operator could lose footing or balance.
- Do not trim excessively steep slopes.
- Do not mow on wet grass. Reduced footing could cause slipping.

### III. CHILDREN

Tragic accidents can occur if the operator is not alert to the presence of children. Children are often attracted to the machine and the mowing activity. *Never* assume that children will remain where you last saw them.

- Keep children out of the trimming area and under the watchful care of another responsible adult.
- Be alert and turn machine off if children enter the area.
- Before and while walking backwards, look behind and *down* for small children.
- Never allow children to operate the machine.
- Use extra care when approaching blind corners, shrubs, trees, or other objects that may obscure vision.

### IV. SAFE HANDLING OF GASOLINE

Use extreme care in handling gasoline. Gasoline is extremely flammable and the vapors are explosive.

- Extinguish all cigarettes, cigars, pipes and other sources of ignition.
- Use only an approved container.
- Never remove gas cap or add fuel with the engine running. Allow engine to cool before refueling.

- Never refuel the machine indoors.
- Never store the machine or fuel container where there is an open flame, spark or pilot light such as a water heater or on other appliances.
- Never fill containers inside a vehicle, on a truck or trailer bed with a plastic liner. Always place containers on the ground away from your vehicle before filling.
- Remove gas-powered equipment from the truck or trailer and refuel it on the ground. If this is not possible, then refuel such equipment with a portable container, rather than from a gasoline dispenser nozzle.
- Keep the nozzle in contact with the rim of the fuel tank or container opening at all times until fueling is complete. Do not use a nozzle lock-open device.
- If fuel is spilled on clothing, change clothing immediately.
- Never overfill fuel tank. Replace gas cap and tighten securely.

- Keep nuts and bolts, especially blade attachment bolts, tight and keep equipment in good condition.
- Never tamper with safety devices. Check their proper operation regularly.
- Keep machine free of grass, leaves, or other debris build-up. Clean oil or fuel spillage. Allow machine to cool before storing.
- Stop and inspect the equipment if you strike an object. Repair, if necessary, before restarting.
- Never attempt to make wheel height adjustments while the engine (motor) is running.
- Grass catcher components are subject to wear, damage, and deterioration, which could expose moving parts or allow objects to be thrown. Frequently check components and replace with manufacturer's recommended parts, when necessary.
- Mower blade is sharp and can cut. Wrap the blade or wear gloves, and use extra caution when servicing it.
- Do not change the engine governor setting or over-speed the engine.
- Maintain or replace safety and instruction labels, as necessary.

## V. GENERAL SERVICE

- Never run a machine inside a closed area.
- Never make adjustments or repairs with the engine (motor) running. Disconnect spark plug wire, and keep wire away from plug to prevent accidental starting.

**▲WARNING:** This lawn mower is equipped with an internal combustion engine and should not be used on or near any unimproved forest-covered, brush-covered or grass-covered land unless the engine's exhaust system is equipped with a spark arrester meeting applicable local or state laws (if any). If a spark arrester is used, it should be maintained in effective working order by the operator. A spark arrester for the muffler is available through your nearest authorized service centre.

**CONGRATULATIONS** on your purchase of a new lawn mower. It has been designed, engineered and manufactured to give you the best possible dependability and performance.

Should you experience any problem you cannot easily remedy, please contact your nearest authorized service center/department. We have competent, well-trained technicians and the proper tools to service or repair this lawn mower.

Please read and retain this manual. The instructions will enable you to assemble and maintain your lawn mower properly. Always observe the "SAFETY RULES".

SERIAL NUMBER: \_\_\_\_\_

DATE OF PURCHASE: \_\_\_\_\_

THE MODEL AND SERIAL NUMBERS WILL BE FOUND ON A DECAL ATTACHED TO THE REAR OF THE LAWN MOWER HOUSING.

YOU SHOULD RECORD BOTH SERIAL NUMBER AND DATE OF PURCHASE AND KEEP IN A SAFE PLACE FOR FUTURE REFERENCE.

## PRODUCT SPECIFICATIONS

Gasoline Capacity and Type:	1.6 Quarts (Unleaded Regular Only)
Oil Type (API SG-SL):	SAE 30 (above 32°F); SAE 5W-30 (below 32°F)
Oil Capacity:	20 Ounces
Spark Plug (Gap: .030"):	Champion J19LM or RJ19LM
Blade Bolt Torque:	35-40 ft. lbs. (47-54 N-m)

## CUSTOMER RESPONSIBILITIES

- Read and observe the safety rules.
- Follow a regular schedule in maintaining, caring for and using your lawn mower.
- Follow the instructions under "Maintenance" and "Storage" sections of this owner's manual.

# TABLE OF CONTENTS

SAFETY RULES .....	2-3
PRODUCT SPECIFICATIONS .....	3
CUSTOMER RESPONSIBILITIES .....	3
ASSEMBLY .....	4
OPERATION .....	5-8
MAINTENANCE SCHEDULE .....	9

MAINTENANCE .....	9-11
SERVICE AND ADJUSTMENTS .....	12-13
STORAGE .....	13-14
TROUBLESHOOTING .....	15
REPAIR PARTS .....	16-19
WARRANTY .....	20

# ASSEMBLY

Read these instructions and this manual in its entirety before you attempt to assemble or operate your new lawn mower.

**IMPORTANT:** THIS LAWN MOWER IS SHIPPED WITHOUT OIL OR GASOLINE IN THE ENGINE.

Your new lawn mower has been assembled at the factory with the exception of those parts left unassembled for shipping purposes. All parts such as nuts, washers, bolts, etc., necessary to complete the assembly have been placed in the parts bag. To ensure safe and proper operation of your lawn mower, all parts and hardware you assemble must be tightened securely. Use the correct tools as necessary to ensure proper tightness.

## TO REMOVE LAWN MOWER FROM CARTON

1. Remove loose parts included with mower.
2. Cut down two end corners of carton and lay end panel down flat.
3. Remove all packing materials except padding between upper and lower handle and padding holding operator presence control bar to upper handle.
4. Roll lawn mower out of carton and check carton thoroughly for additional loose parts.

## HOW TO SET UP YOUR LAWN MOWER TO UNFOLD HANDLE (See Fig. 1)

**IMPORTANT:** UNFOLD HANDLE CAREFULLY SO AS NOT TO PINCH OR DAMAGE CONTROL CABLES.

1. Raise handles until lower handle section locks into place in mowing position.
2. Remove protective padding, raise upper handle section into place on lower handle and tighten both handle knobs.
3. Remove handle padding holding operator presence control bar to upper handle.

Your handles may be adjusted for your mowing comfort. Refer to "ADJUST HANDLE" in the Service and Adjustments section of this manual.

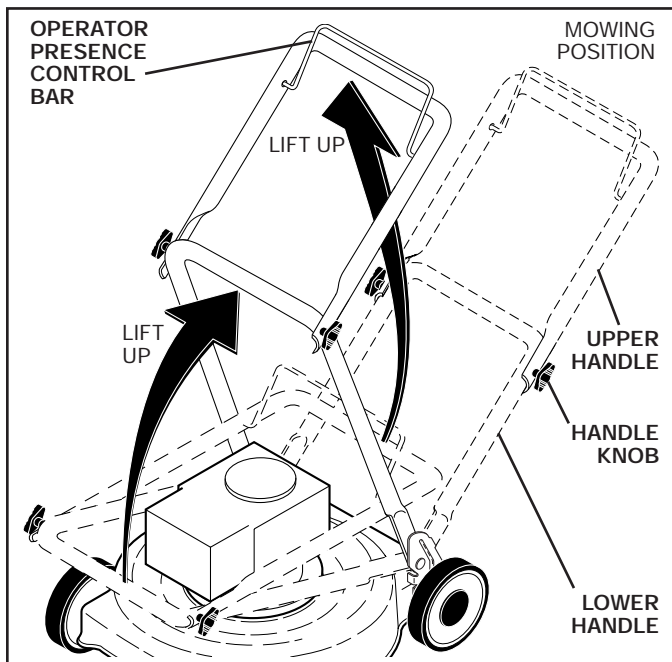


FIG. 1

## TO ASSEMBLE GRASS CATCHER (See Fig. 2)

1. Put grass catcher frame into grass bag with rigid part of bag on the bottom. Make sure the frame handle is outside of the bag top.
2. Slip vinyl bindings over frame.

**NOTE:** If vinyl bindings are too stiff, hold them in warm water for a few minutes. If bag gets wet, let it dry before using.

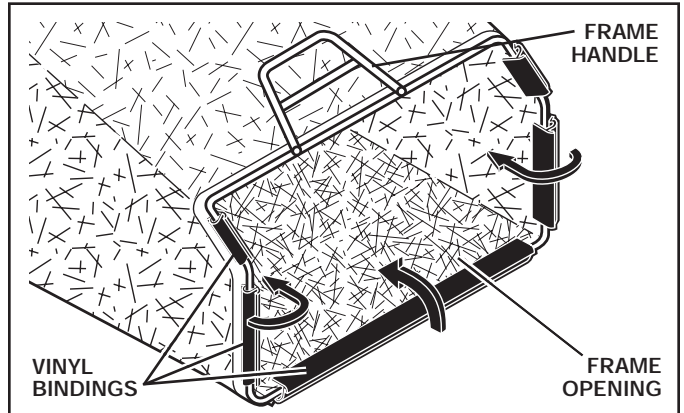


FIG. 2

## TO INSTALL ATTACHMENTS

Your lawn mower was shipped ready to be used as a mulcher. To convert mower to bagging or discharging, see "TO CONVERT MOWER" in the Operation section of this manual.

## TO PREPARE BATTERY (See Fig. 3)

**NOTE:** Your battery must be charged before you can start your lawn mower.

1. Connect battery charger connector (male) to harness connector (female).
2. Plug battery charger into 110 volt A.C. outlet.
3. Leave battery charger connected for 24 hours before starting your engine for the first time.
4. After charging, disconnect harness connector (female) from battery charger connector (male).

Connect your battery charger to charge battery after each use.

**IMPORTANT:** THE ENGINE WILL NOT RECHARGE YOUR BATTERY. AT THE END OF THE MOWING SEASON THE BATTERY SHOULD BE CHARGED FOR 48 HOURS TO PROTECT THE BATTERY DURING WINTER STORAGE.



**CAUTION:** Always disconnect the engine connector (male) from the battery connector (female) to prevent accidental starting when transporting or storing your lawn mower after the season.

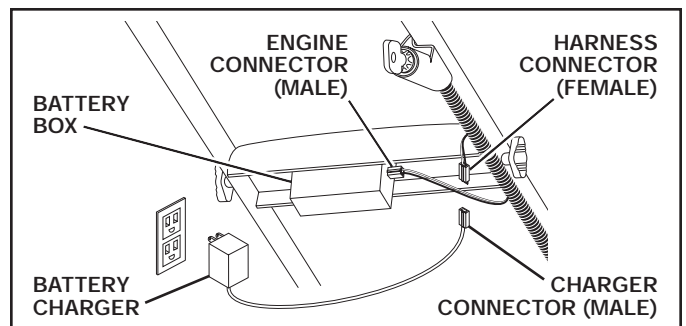


FIG. 3

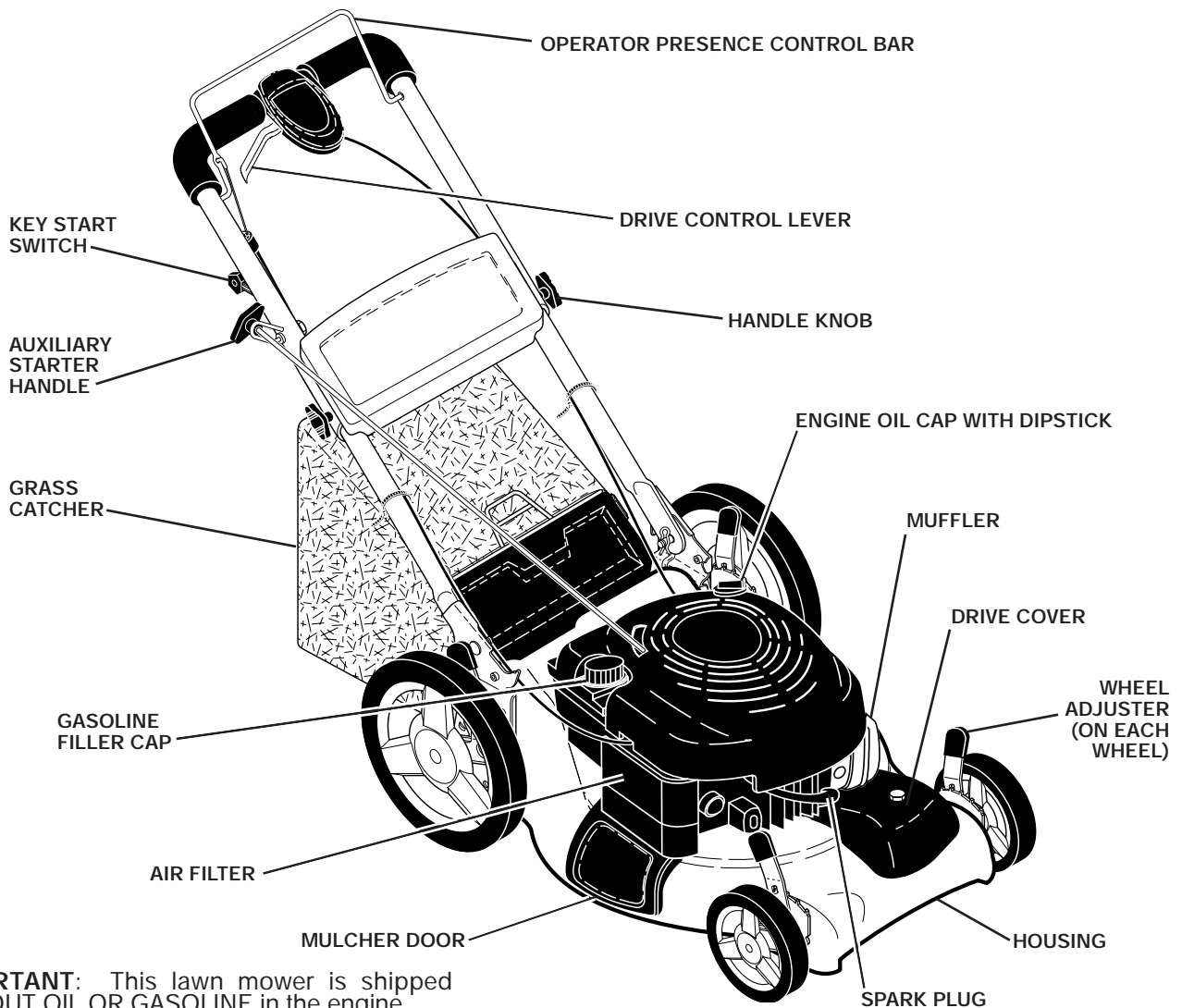
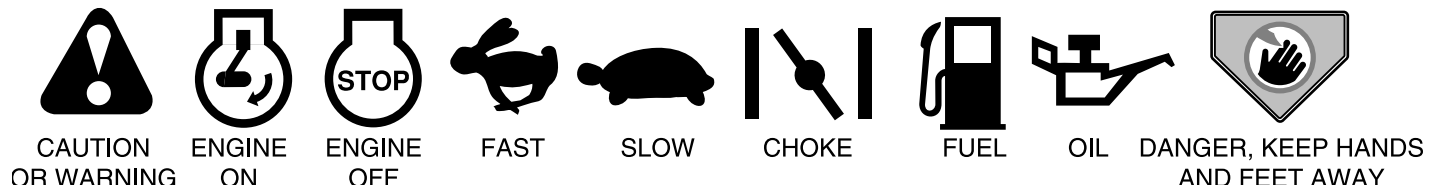
# OPERATION

## KNOW YOUR LAWN MOWER

READ THIS OWNER'S MANUAL AND SAFETY RULES BEFORE OPERATING YOUR LAWN MOWER.

Compare the illustrations with your lawn mower to familiarize yourself with the location of various controls and adjustments. Save this manual for future reference.

These symbols may appear on your lawn mower or in literature supplied with the product. Learn and understand their meaning.



**IMPORTANT:** This lawn mower is shipped WITHOUT OIL OR GASOLINE in the engine.

## MEETS CPSC SAFETY REQUIREMENTS

Our rotary walk-behind power lawn mowers conform to the safety standards of the American National Standards Institute and the U.S. Consumer Product Safety Commission. The blade turns when the engine is running.

**AUXILIARY STARTER HANDLE** – used for starting the engine.

**MULCHER DOOR** – allows conversion to discharge or bagging operation.

**OPERATOR PRESENCE CONTROL BAR** – must be held down to the handle to start the engine. Release to stop the engine.

**DRIVE CONTROL LEVER** – used to engage power-propelled forward motion of lawn mower.

**5 KEY START SWITCH** – used for starting the engine.

# OPERATION



The operation of any lawn mower can result in foreign objects thrown into the eyes, which can result in severe eye damage. Always wear safety glasses or eye shields while operating your lawn mower or performing any adjustments or repairs. We recommend standard safety glasses or a wide vision safety mask over spectacles.

## HOW TO USE YOUR LAWN MOWER

### ENGINE SPEED

The engine speed was set at the factory for optimum performance. Speed is not adjustable.

### ENGINE ZONE CONTROL



**CAUTION:** Federal regulations require an engine control to be installed on this lawn mower in order to minimize the risk of blade contact injury. Do not under any circumstances attempt to defeat the function of the operator control. The blade turns when the engine is running.

- Your lawn mower is equipped with an operator presence control bar which requires the operator to be positioned behind the mower handle to start and operate the mower.

### DRIVE CONTROL (See Fig. 4A)

- Self-propelling is controlled by holding the operator presence control bar down to the handle and pulling the drive control lever rearward to the handle. The farther toward the handle the lever is pulled, the faster the unit will travel.
- Forward motion will stop when either the operator presence control bar or drive control lever are released. To stop forward motion without stopping engine, release the drive control lever only. Hold operator presence control bar down against handle to continue mowing without self-propelling.

**NOTE:** If after releasing the drive control the mower will not roll backwards, push the mower forward slightly to disengage drive wheels.

- To keep drive control engaged when turning corners, push down on the handle to lift the front wheels off the ground while turning lawn mower.

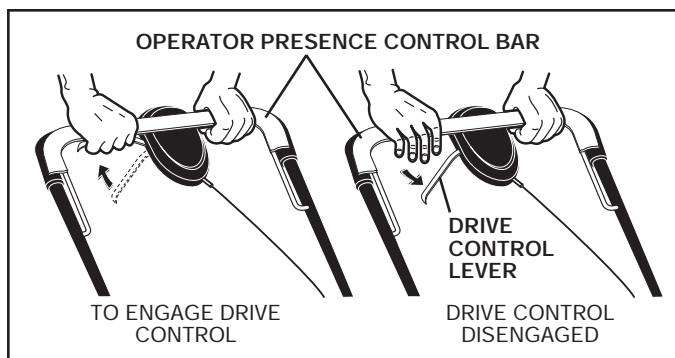


FIG. 4A

### DRIVE CONTROL ADJUSTMENT (See Fig. 4B)

Over time, the drive control system may become "loose", resulting in decreased speed. There is a turnbuckle on the underside of the drive control housing to increase tension on the drive cable. Proceed as follows:

- Turn unit off and disconnect spark plug wire from plug.
- Turn nut on underside of drive control to increase drive speed.
- Operate mower to test drive speed. Readjust as required.
- If condition fails to improve after the above steps (forward speed remains the same), your drive belt is worn and should be replaced.

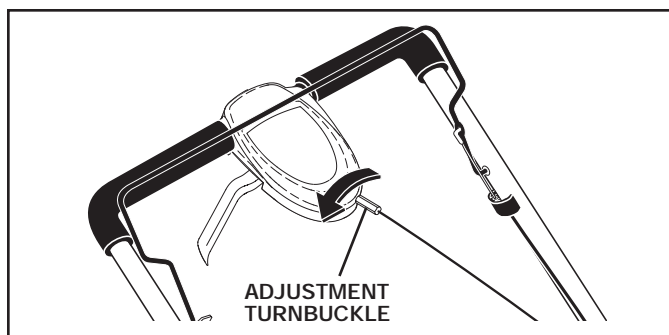


FIG. 4B

### TO ADJUST CUTTING HEIGHT (See Fig. 5)

Raise wheels for low cut and lower wheels for high cut, adjust cutting height to suit your requirements. Medium position is best for most lawns.

- To change cutting height, squeeze adjuster lever toward wheel. Move wheel up or down to suit your requirements. Be sure all wheels are in the same setting.

**NOTE:** Adjuster is properly positioned when plate tab inserts into hole in lever. Also, 9-position adjusters (if so equipped) allow lever to be positioned between the plate tabs.

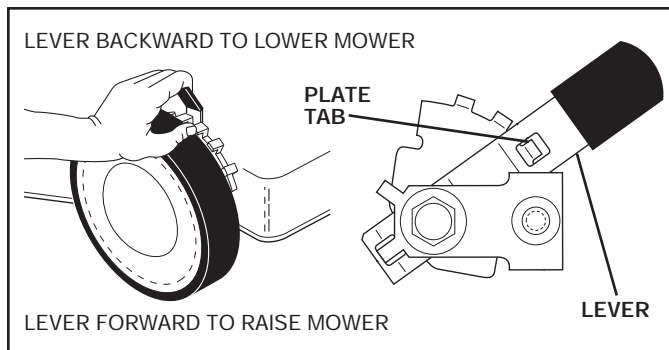


FIG. 5

### TO CONVERT MOWER

Your lawn mower was shipped ready to be used as a mulcher. To convert to bagging or discharging:

#### REAR BAGGING (See Fig. 6)

- Lift rear door of the lawn mower and place the grass catcher frame hooks onto the door pivot pins.
- To convert to mulching or discharging operation, remove grass catcher and close rear door.

# OPERATION

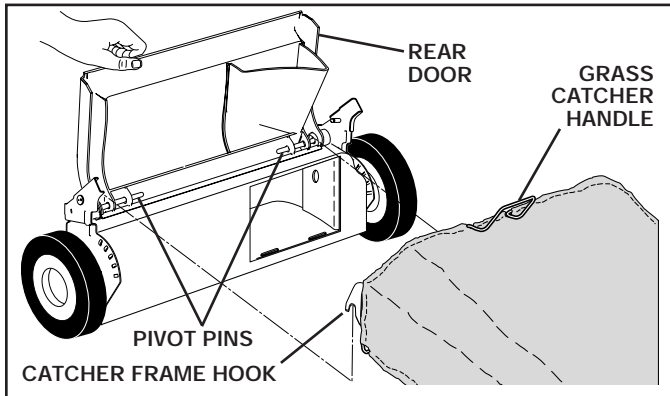


FIG. 6

## SIDE DISCHARGING (See Fig. 7)

- Rear door must be closed.
- Open mulcher door and install discharge deflector under door as shown.
- Mower is now ready for discharging operation.
- To convert to mulching or bagging operation, discharge deflector must be removed and mulcher door must be closed.

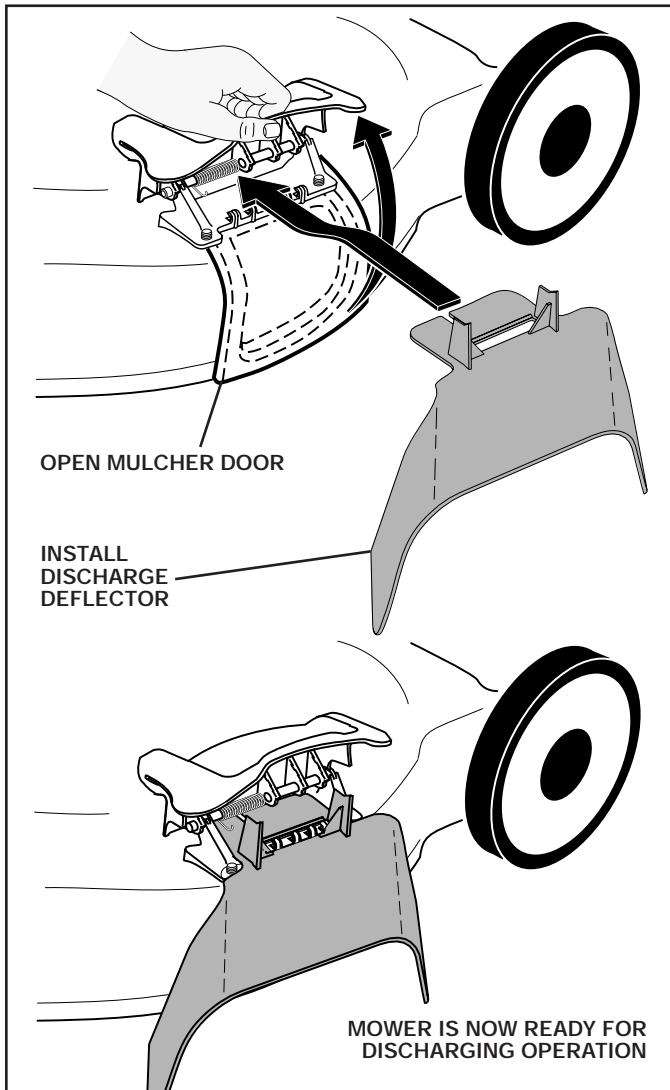


FIG. 7

## SIMPLE STEPS TO REMEMBER WHEN CONVERTING YOUR LAWN MOWER:

### FOR MULCHING -

1. Mulcher plug installed.
2. Mulcher door closed.

### FOR REAR BAGGING -

1. Mulcher plug removed.
2. Grass catcher installed.
3. Mulcher door closed.

### FOR SIDE DISCHARGING -

1. Mulcher plug installed.
2. Discharge deflector installed.



**CAUTION:** Do not run your lawn mower without mulcher plug or approved grass catcher in place. Never attempt to operate the lawn mower with the rear door removed or propped open.

## TO EMPTY GRASS CATCHER (See Fig. 8)

1. Lift up on grass catcher using the frame handle.
2. Remove grass catcher with clippings from under lawn mower handle.
3. Empty clippings from bag.

**NOTE:** Do not drag the bag when emptying; it will cause unnecessary wear.

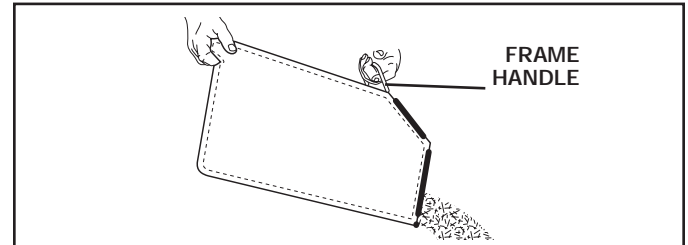


FIG. 8

## BEFORE STARTING ENGINE ADD OIL (See Fig. 9)

Your lawnmower is shipped without oil in the engine. For type and grade of oil to use, see "ENGINE" in the Maintenance section of this manual.



**CAUTION: DO NOT overfill engine with oil, or it will smoke on startup.**

1. Be sure lawnmower is level.
2. Remove oil dipstick from oil fill spout.
3. Engine holds 20 ounces of oil. For type and grade of oil to use, see "ENGINE" in the Maintenance section of this manual.
4. Pour oil slowly. Do not overfill. Wait one minute to allow oil to settle. Insert and tighten dipstick, then remove it to check oil level.

### IMPORTANT:

- Check oil level before each use. Add oil if needed. Fill to full line on dipstick.
- Change the oil after every 25 hours of operation or each season. You may need to change the oil more often under dusty, dirty conditions. See "TO CHANGE ENGINE OIL" in the Maintenance section of this manual.

# OPERATION

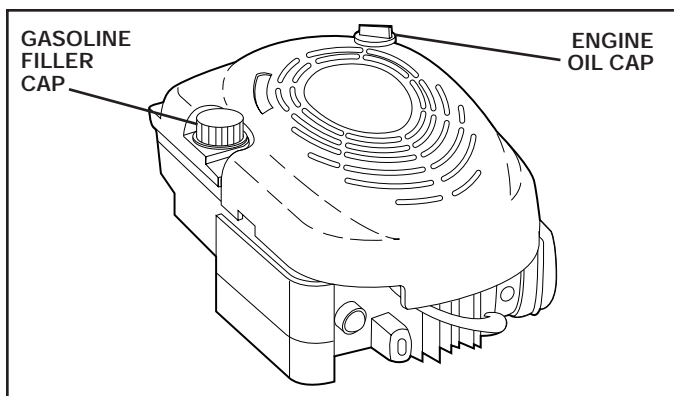


FIG. 9

## ADD GASOLINE (See Fig. 9)

- Fill fuel tank to bottom of tank filler neck. Do not over-fill. Use fresh, clean, regular unleaded gasoline with a minimum of 87 octane. Do not mix oil with gasoline. Purchase fuel in quantities that can be used within 30 days to assure fuel freshness.



**CAUTION:** Wipe off any spilled oil or fuel. Do not store, spill or use gasoline near an open flame.

Alcohol blended fuels (called gasohol or using ethanol or methanol) can attract moisture which leads to separation and formation of acids during storage. Acidic gas can damage the fuel system of an engine while in storage. To avoid engine problems, the fuel system should be emptied before storage of 30 days or longer. Empty the gas tank, start the engine and let it run until the fuel lines and carburetor are empty. Use fresh fuel next season. See Storage Instructions for additional information. Never use engine or carburetor cleaner products in the fuel tank or permanent damage may occur.

## TO STOP ENGINE

- To stop engine, release operator presence control bar.

## TO START ENGINE

**NOTE:** Due to protective coatings on the engine, a small amount of smoke may be present during the initial use of the product and should be considered normal.

**NOTE:** Your engine is equipped with an automatic choke system. No priming or choking is required before starting.

- To start engine, hold operator presence control bar down to the handle and turn the start key.

**IMPORTANT:** Do not crank engine more than five continuous seconds between each time you try to start. Wait 5 to 10 seconds between each attempt.

- To start engine using the rope starter, hold operator presence control bar down to the handle and pull starter handle quickly. Do not allow starter rope to snap back.

## MOWING TIPS



**CAUTION:** Do not use de-thatcher blade attachments on your mower. Such attachments are hazardous, will damage your mower and could void your warranty.

- Under certain conditions, such as very tall grass, it may be necessary to raise the height of cut to reduce pushing effort and to keep from overloading the engine and leaving clumps of grass clippings. It may also be necessary to reduce ground speed and/or run the lawn mower over the area a second time.
- For extremely heavy cutting, reduce the width of cut by overlapping previously cut path and mow slowly.
- For better grass bagging and most cutting conditions, the engine speed should be set in the fast position.
- Pores in cloth grass catchers can become filled with dirt and dust with use and catchers will collect less grass. To prevent this, regularly hose catcher off with water and let dry before using.
- Keep top of engine around starter clear and clean of grass clippings and chaff. This will help engine air flow and extend engine life.

## MULCHING MOWING TIPS

**IMPORTANT:** FOR BEST PERFORMANCE, KEEP MOWER HOUSING FREE OF BUILT-UP GRASS AND TRASH. SEE "CLEANING" IN MAINTENANCE SECTION OF THIS MANUAL.

- The special mulching blade will recut the grass clippings many times and reduce them in size so that as they fall onto the lawn they will disperse into the grass and not be noticed. Also, the mulched grass will biodegrade quickly to provide nutrients for the lawn. Always mulch with your highest engine (blade) speed as this will provide the best recutting action of the blades.
- Avoid cutting your lawn when it is wet. Wet grass tends to form clumps and interferes with the mulching action. The best time to mow your lawn is the early afternoon. At this time the grass has dried, yet the newly cut area will not be exposed to direct sunlight.
- For best results, adjust the lawn mower cutting height so that the lawn mower cuts off only the top one-third of the grass blades (See Fig. 10). If the lawn is overgrown it will be necessary to raise the height of cut to reduce pushing effort and to keep from overloading the engine and leaving clumps of mulched grass. For extremely heavy mulching, reduce your width of cut by overlapping previously cut path and mow slowly.

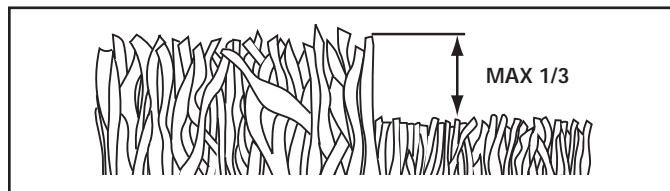


FIG. 10

- Certain types of grass and grass conditions may require that an area be mulched a second time to completely hide the clippings. When doing a second cut, mow across (perpendicular) to the first cut path.
- Change your cutting pattern from week to week. Mow north-south one week, then change to east-west the next week. This helps prevent matting/graining of lawn.



# MAINTENANCE

MAINTENANCE SCHEDULE		BEFORE EACH USE	AFTER EACH USE	EVERY 10 HOURS	EVERY 25 HOURS OR SEASON	EVERY 100 HOURS	BEFORE STORAGE
<b>LAWN MOWER</b>	Check for Loose Fasteners	✓					✓
	Clean / Inspect Grass Catcher *	✓	✓				✓
	Check Tires	✓					
	Check Drive Wheels ***	✓					
	Clean Lawn Mower ****		✓				✓
<b>ENGINE</b>	Clean under Drive Cover ***			✓			
	Check Drive Belt / Pulleys ***				✓		
	Check / Sharpen / Replace Blade				✓ <sub>3</sub>		
	Lubrication				✓		
	Clean and Recharge Battery **				✓		✓ <sub>4</sub>
<b>ENGINE</b>	Check Engine Oil level	✓ <sub>5</sub>					
	Change Engine Oil				✓ <sub>1,2</sub>		
	Clean Air Filter				✓ <sub>2</sub>		
	Inspect Muffler				✓		
	Replace Spark Plug					✓	
	Replace Air Filter Paper Cartridge					✓ <sub>2</sub>	
	Empty fuel system or add Stabilizer						✓

- \* (if so equipped)
- \*\* Electric-Start mowers
- \*\*\* Power-Propelled mowers
- \*\*\*\* Use a scraper to clean under deck
- 1 - Change more often if operating under a heavy load or in high outdoor temperatures.
- 2 - Service more often if operating in dirty or dusty conditions.
- 3 - Replace blades more often when mowing in sandy soil.
- 4 - Charge 48 hours at end of season.
- 5 - And after each 5 hours of use.

## GENERAL RECOMMENDATIONS

The warranty on this lawn mower does not cover items that have been subjected to operator abuse or negligence. To receive full value from the warranty, operator must maintain mower as instructed in this manual.

Some adjustments will need to be made periodically to properly maintain your unit.

At least once a season, check to see if you should make any of the adjustments described in the Service and Adjustments section of this manual.

- At least once a year, replace the spark plug, clean or replace air filter element and check blade for wear. A new spark plug and clean/new air filter element assure proper air-fuel mixture and help your engine run better and last longer.
- Follow the maintenance schedule in this manual.

## BEFORE EACH USE

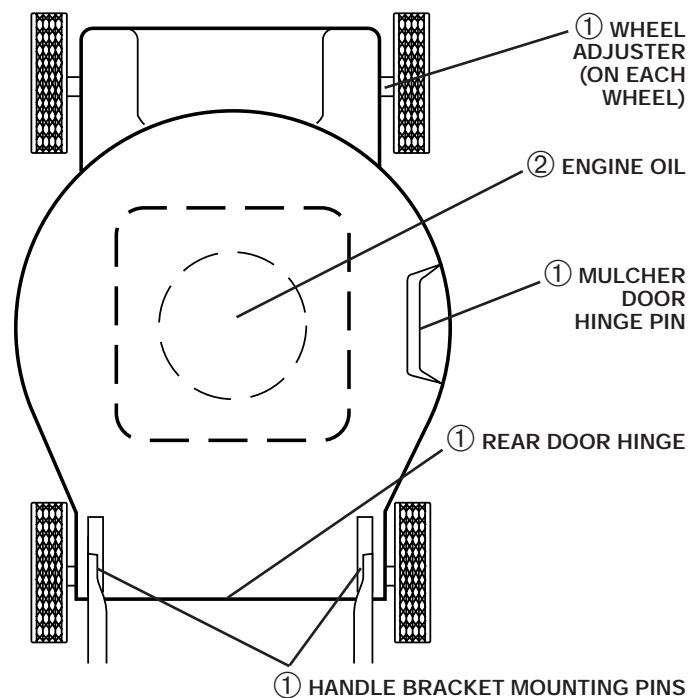
1. Check engine oil level.
2. Check for loose fasteners.

## LUBRICATION

Keep unit well lubricated (See "LUBRICATION CHART").

**IMPORTANT:** DO NOT OIL OR GREASE PLASTIC WHEEL BEARINGS. VISCOUS LUBRICANTS WILL ATTRACT DUST AND DIRT THAT WILL SHORTEN THE LIFE OF THE SELF-LUBRICATING BEARINGS. IF YOU FEEL THEY MUST BE LUBRICATED, USE ONLY A DRY, POWDERED GRAPHITE TYPE LUBRICANT SPARINGLY.

## LUBRICATION CHART



① SPRAY LUBRICANT

9 ② SEE "ENGINE" IN MAINTENANCE SECTION

# MAINTENANCE

## LAWN MOWER

Always observe safety rules when performing maintenance.

### TIRES

- Keep tires free of gasoline, oil, or insect control chemicals which can harm rubber.
- Avoid stumps, stones, deep ruts, sharp objects and other hazards that may cause tire damage.

### DRIVE WHEELS

Check front drive wheels each time before you mow to be sure they move freely.

The wheels not turning freely means trash, grass cuttings, etc. are in the drive wheel area and must be cleaned to free drive wheels.

If necessary to clean the drive wheels, be sure to clean both front wheels.

1. Remove hubcaps, locknuts and washers.
2. Remove wheels from wheel adjusters.
3. Remove any trash or grass cuttings from inside the dust cover, pinion and/or drive wheel gear teeth.
4. Put wheels back in place.

**NOTE:** If after cleaning, the drive wheels do not turn freely, contact a qualified service center.

### BLADE CARE

For best results, mower blade must be kept sharp. Replace a bent or damaged blade.



**CAUTION:** Use only a replacement blade approved by the manufacturer of your mower. Using a blade not approved by the manufacturer of your mower is hazardous, could damage your mower and void your warranty.

TO REMOVE BLADE (See Fig. 11)

1. Disconnect spark plug wire from spark plug and place wire where it cannot come in contact with plug.
2. Turn lawn mower on its side. Make sure air filter and carburetor are up.
3. Use a wood block between blade and mower housing to prevent blade from turning when removing blade bolt.

**NOTE:** Protect your hands with gloves and/or wrap blade with heavy cloth.

4. Remove blade bolt by turning counter-clockwise.
5. Remove blade and attaching hardware (bolt, lock washer and hardened washer).

**NOTE:** Remove the blade adapter and check the key inside hub of blade adapter. The key must be in good condition to work properly. Replace adapter if damaged.

TO REPLACE BLADE (See Fig. 11)

1. Position the blade adapter on the engine crankshaft. Be sure key in adapter and crankshaft keyway are aligned.
2. Position the blade on the blade adapter aligning the two (2) holes in the blade with the raised lugs on the adapter.

3. Be sure the trailing edge of blade (opposite sharp edge) is up toward the engine.
  4. Install the blade bolt with the lock washer and hardened washer into blade adapter and crankshaft.
  5. Use block of wood between blade and lawn mower housing and tighten the blade bolt, turning clockwise.
- The recommended tightening torque is 35-40 ft. lbs.

**IMPORTANT:** BLADE BOLT IS HEAT TREATED. IF BOLT NEEDS REPLACING, REPLACE ONLY WITH APPROVED BOLT SHOWN IN THE REPAIR PARTS SECTION OF THIS MANUAL.

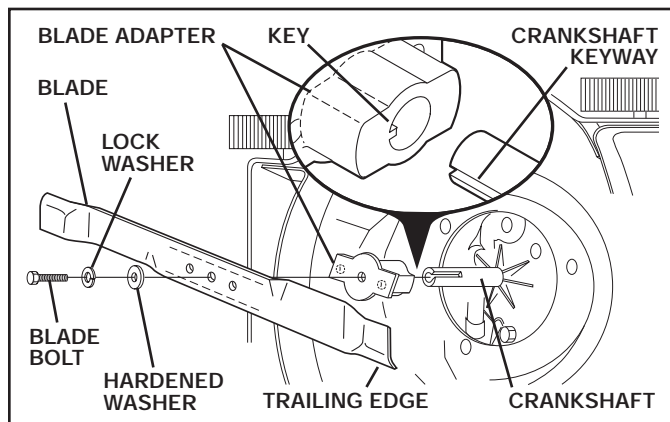


FIG. 11

TO SHARPEN BLADE

**NOTE:** We do not recommend sharpening blade - but if you do, be sure the blade is balanced.

Care should be taken to keep the blade balanced. An unbalanced blade will cause eventual damage to lawn mower or engine.

- The blade can be sharpened with a file or on a grinding wheel. Do not attempt to sharpen while on the mower.
- To check blade balance, drive a nail into a beam or wall. Leave about one inch of the straight nail exposed. Place center hole of blade over the head of the nail. If blade is balanced, it should remain in a horizontal position. If either end of the blade moves downward, sharpen the heavy end until the blade is balanced.

### GEAR CASE

- To keep your drive system working properly, the gear case and area around the drive should be kept clean and free of trash build-up. Clean under the drive cover twice a season.
- The gear case is filled with lubricant to the proper level at the factory. The only time the lubricant needs attention is if service has been performed on the gear case.
- If lubricant is required, use only Texaco Starplex Premium 1 Grease, Part No. 750369. Do not substitute.

### GRASS CATCHER

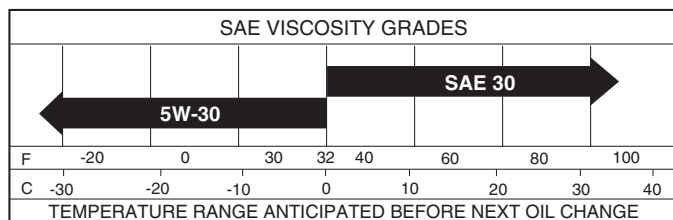
- The grass catcher may be hosed with water, but must be dry when used.
- Check your grass catcher often for damage or deterioration. Through normal use it will wear. If catcher needs replacing, replace only with approved replacement catcher shown in the Repair Parts section of this manual. Give the mower model number when ordering.

# MAINTENANCE

## ENGINE

### LUBRICATION

Use only high quality detergent oil rated with API service classification SG-SL. Select the oil's SAE viscosity grade according to your expected operating temperature.



**NOTE:** Multi-viscosity oils (5W30, 10W30 etc.) improve starting in cold weather, and you should check your engine oil level frequently to avoid possible engine damage from running low on oil.

Change the oil after every 25 hours of operation or at least once a year if the lawn mower is not used for 25 hours in one year. Check the crankcase oil level before starting the engine and after each five (5) hours of continuous use. Tighten oil plug securely each time you check the oil level.

### TO CHANGE ENGINE OIL (See Fig. 12)

**NOTE:** Before tipping lawn mower to drain oil, empty fuel tank by running engine until fuel tank is empty.

1. Disconnect spark plug wire from spark plug and place wire where it cannot come in contact with plug.
2. Remove engine oil cap; lay aside on a clean surface.
3. Tip lawn mower on its side as shown and drain oil into a suitable container. Rock lawn mower back and forth to remove any oil trapped inside of engine.

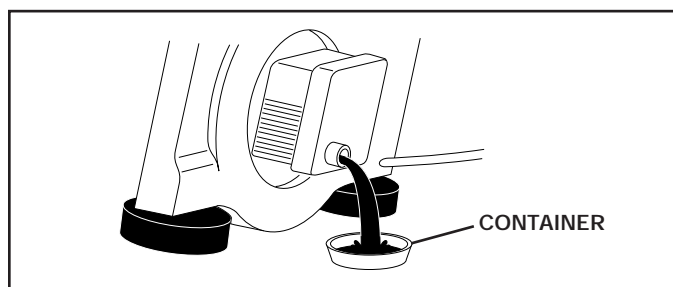


FIG. 12

4. Wipe off any spilled oil from mower or side of engine.
5. Slowly pour oil down the oil fill spout, stopping every few ounces to check the oil level with the dipstick.
6. Stop adding oil when you reach the FULL mark on the dipstick. Wait a minute to allow oil to settle.
7. Continue adding small amounts of oil, rechecking the dipstick until oil level settles at FULL. DO NOT overfill, or engine will smoke heavily from the muffler on startup.
8. Always be sure to retighten dipstick before starting engine.
9. Reconnect spark plug wire to spark plug.

### AIR FILTER (See Fig. 13)

Your engine will not run properly and may be damaged by using a dirty air filter. Replace the air filter cartridge every 100 hours of operation or every season, whichever occurs first. Service air cleaner more often under dusty conditions.

### TO CLEAN AIR FILTER

1. Loosen screw and tilt cover to remove.
2. Carefully remove cartridge.
3. Clean by gently tapping on a flat surface. If very dirty, replace cartridge.



**CAUTION:** Petroleum solvents, such as kerosene, are not to be used to clean cartridge. They may cause deterioration of the cartridge. Do not oil cartridge. Do not use pressurized air to clean or dry cartridge.

4. Install cartridge, then replace cover making sure the tabs are aligned with the slots in the back plate. Fasten screw securely.

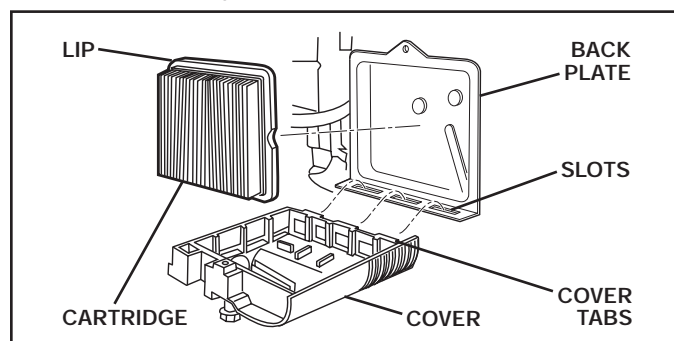


FIG. 13

### MUFFLER

Inspect and replace corroded muffler as it could create a fire hazard and/or damage.

### SPARK PLUG

Replace spark plug at the beginning of each mowing season or after every 100 hours of operation, whichever occurs first. Spark plug type and gap setting are shown in the "PRODUCT SPECIFICATIONS" section of this manual.

### CLEANING

**IMPORTANT:** FOR BEST PERFORMANCE, KEEP MOWER HOUSING FREE OF BUILT-UP GRASS AND TRASH. CLEAN THE UNDERSIDE OF YOUR MOWER AFTER EACH USE.



**CAUTION:** Disconnect spark plug wire from spark plug and place wire where it cannot come in contact with plug.

- Clean the underside of your lawn mower by scraping to remove build-up of grass and trash.
- Clean engine often to keep trash from accumulating. A clogged engine runs hotter and shortens engine life.
- Keep finished surfaces/wheels free of gasoline, oil, etc.
- We do not recommend using a garden hose to clean lawn mower unless the electrical system, muffler, air filter and carburetor are covered to keep water out. Water in engine can result in shortened engine life.

### CLEAN UNDER DRIVE COVER

Clean under drive cover at least twice a season. Scrape underside of cover with putty knife or similar tool to remove any build-up of trash or grass on underside of drive cover.

# SERVICE AND ADJUSTMENTS



**CAUTION: TO AVOID SERIOUS INJURY, BEFORE PERFORMING ANY SERVICE OR ADJUSTMENTS:**

1. Release control bar and stop engine.
2. Make sure the blade and all moving parts have completely stopped.
3. Disconnect spark plug wire from spark plug and place where it cannot come in contact with plug.

## LAWN MOWER

### TO ADJUST CUTTING HEIGHT

See "TO ADJUST CUTTING HEIGHT" in the Operation section of this manual.

### REAR DEFLECTOR

The rear deflector, attached between the rear wheels of your mower, is provided to minimize the possibility that objects will be thrown out of the rear of the mower into the operator's mowing position. If the deflector becomes damaged, it should be replaced.

### TO REMOVE DRIVE BELT (See Fig. 14)

1. Remove drive cover and belt keeper.
2. Remove belt from gearcase pulley.
3. Turn lawn mower on its side with air filter and carburetor down.
4. Remove blade, engine pulley and debris shield.
5. Remove engine pulley and belt from debris shield.

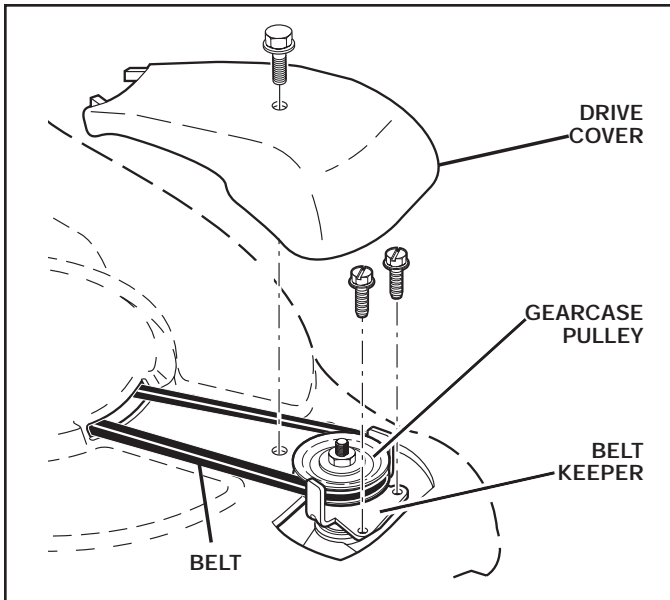


FIG. 14

### TO REPLACE DRIVE BELT (See Fig. 15)

1. Place new drive belt in engine pulley and belt retainer of debris shield.
2. Route the other end of the new drive belt through hole in housing.
3. Reinstall debris shield.
4. Return mower to upright position.
5. Install new belt on gearcase pulley.
6. Reinstall belt keeper and drive cover.

**NOTE:** Always use factory approved belt to assure proper fit and long life.

7. Turn lawn mower on its side with air filter and carburetor down.
8. Reinstall blade.

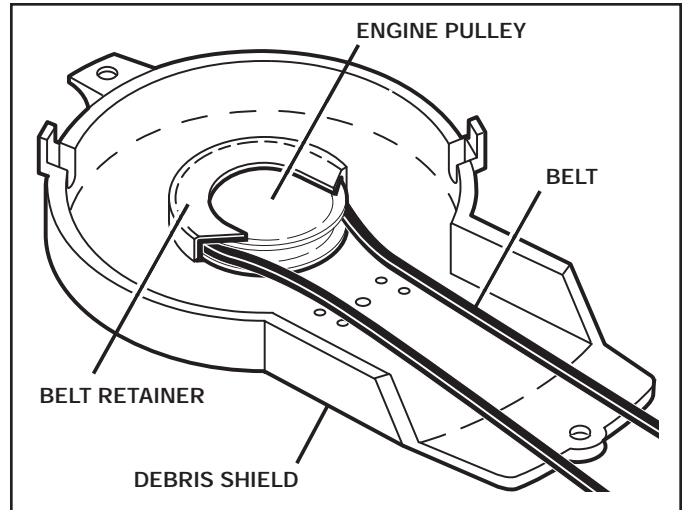


FIG. 15

### TO ADJUST HANDLE (See Figs. 16 thru 18)

The handle can be mounted in a high or low position. The mounting holes in the bottom of lower handle are off center for raising or lowering the handle.

1. Remove upper handle and all wire tie(s) securing cable(s) to lower handle.
2. Remove hairpin cotter from lower handle bracket mounting pin.
3. Squeeze lower handle in to remove from mounting pins.
4. Turn lower handle over to raise or lower handle.
5. Squeeze lower handle in and position holes onto mounting pins on handle bracket.
6. Reassemble upper handle and all parts removed from lower handle.

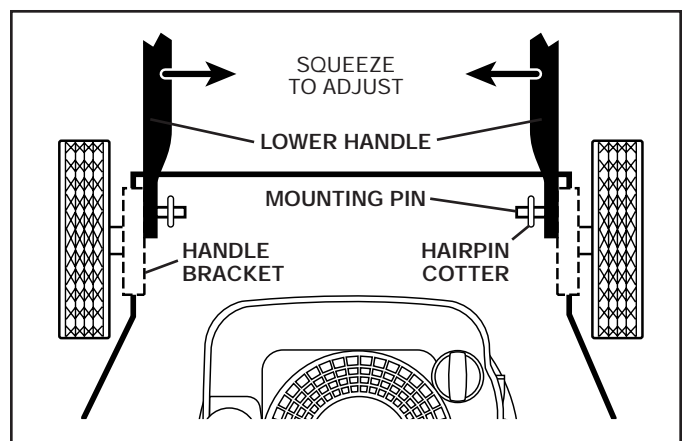


FIG. 16

---

# SERVICE AND ADJUSTMENTS

---

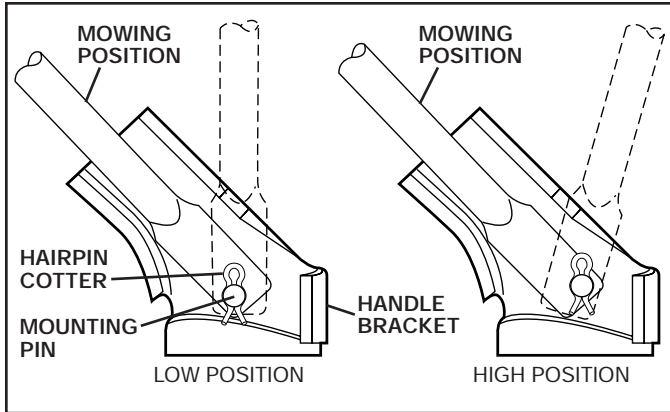


FIG. 17

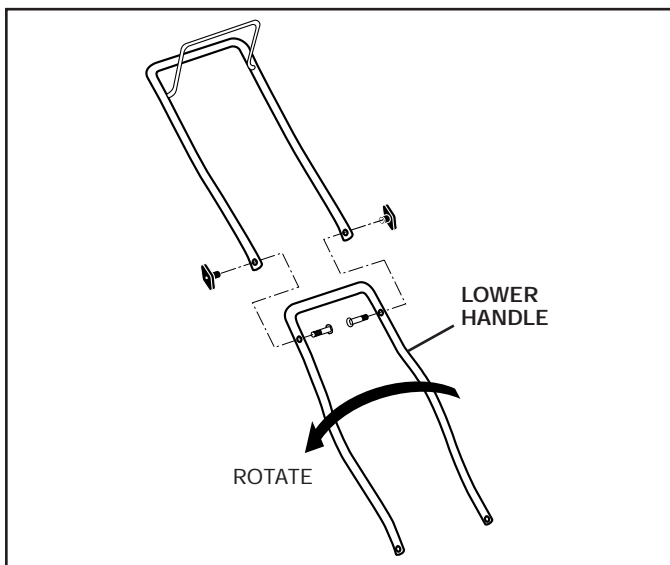


FIG. 18

## ENGINE ENGINE SPEED

Your engine speed has been factory set. Do not attempt to increase engine speed or it may result in personal injury. If you believe that the engine is running too fast or too slow, take your lawn mower to an authorized service center for repair and adjustment.

## CARBURETOR

Your carburetor is not adjustable. If your engine does not operate properly due to suspected carburetor problems, take your lawn mower to an authorized service center for repair and/or adjustment.

**IMPORTANT:** NEVER TAMPER WITH THE ENGINE GOVERNOR, WHICH IS FACTORY SET FOR PROPER ENGINE SPEED. OVERSPEEDING THE ENGINE ABOVE THE FACTORY HIGH SPEED SETTING CAN BE DANGEROUS. IF YOU THINK THE ENGINE-GOVERNED HIGH SPEED NEEDS ADJUSTING, CONTACT YOUR NEAREST AUTHORIZED SERVICE CENTER, WHICH HAS PROPER EQUIPMENT AND EXPERIENCE TO MAKE ANY NECESSARY ADJUSTMENTS.

---

# STORAGE

---

Immediately prepare your lawn mower for storage at the end of the season or if the unit will not be used for 30 days or more.

## LAWN MOWER

When lawn mower is to be stored for a period of time, clean it thoroughly, remove all dirt, grease, leaves, etc. Store in a clean, dry area.

1. Clean entire lawn mower (See "CLEANING" in the Maintenance section of this manual).
2. Lubricate as shown in Maintenance section of this manual.
3. Be sure that all nuts, bolts, screws, and pins are securely fastened. Inspect moving parts for damage, breakage and wear. Replace if necessary.
4. Touch up all rusted or chipped paint surfaces; sand lightly before painting.

# STORAGE

## HANDLE (See Figs. 19 and 20)

You can fold your lawn mower handle for storage.

1. Squeeze the bottom ends of the lower handle toward each other until the lower handle clears the handle bracket, then move handle forward.
2. Loosen upper handle mounting bolts enough to allow upper handle to be folded back.

**IMPORTANT:** WHEN FOLDING THE HANDLE FOR STORAGE OR TRANSPORTATION, BE SURE TO FOLD THE HANDLE AS SHOWN OR YOU MAY DAMAGE THE CONTROL CABLES.

- When setting up your handle from the storage position, the lower handle will automatically lock into mowing position.

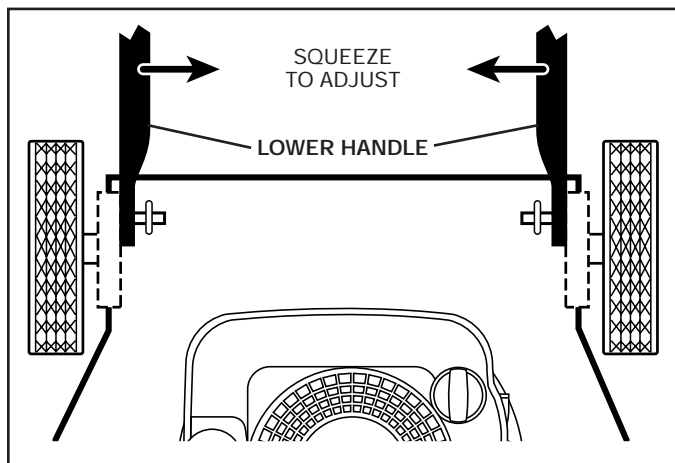


FIG. 19

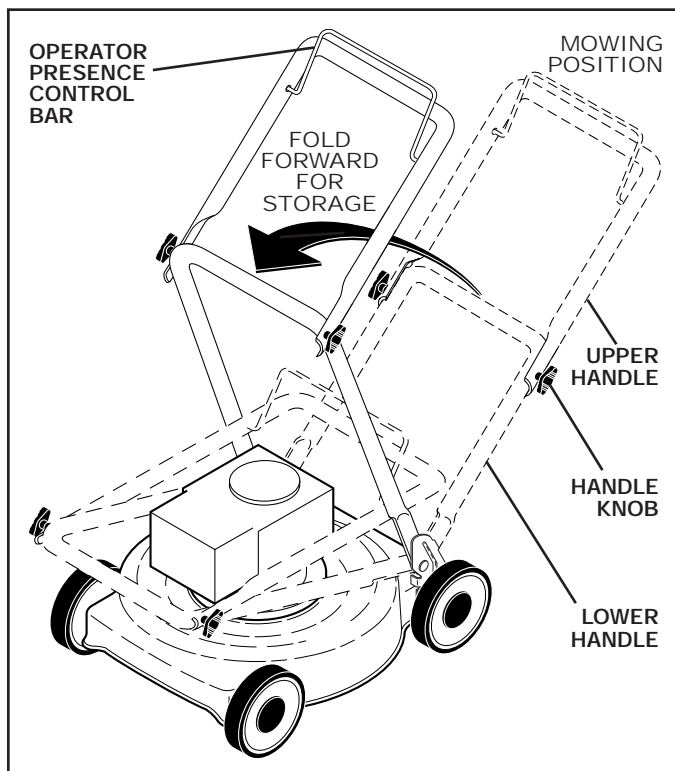


FIG. 20

## ENGINE FUEL SYSTEM

**IMPORTANT:** IT IS IMPORTANT TO PREVENT GUM DEPOSITS FROM FORMING IN ESSENTIAL FUEL SYSTEM PARTS SUCH AS CARBURETOR, FUEL FILTER, FUEL HOSE, OR TANK DURING STORAGE. ALCOHOL BLENDED FUELS (CALLED GASOHOL OR USING ETHANOL OR METHANOL) CAN ATTRACT MOISTURE WHICH LEADS TO SEPARATION AND FORMATION OF ACIDS DURING STORAGE. ACIDIC GAS CAN DAMAGE THE FUEL SYSTEM OF AN ENGINE WHILE IN STORAGE.

- Empty the fuel tank by starting the engine and letting it run until the fuel lines and carburetor are empty.
- Never use engine or carburetor cleaner products in the fuel tank or permanent damage may occur.
- Use fresh fuel next season.

**NOTE:** Fuel stabilizer is an acceptable alternative in minimizing the formation of fuel gum deposits during storage. Add stabilizer to gasoline in fuel tank or storage container. Always follow the mix ratio found on stabilizer container. Run engine at least 10 minutes after adding stabilizer to allow the stabilizer to reach the carburetor. Do not empty the gas tank and carburetor if using fuel stabilizer.

## ENGINE OIL

Drain oil (with engine warm) and replace with clean engine oil. (See "ENGINE" in the Maintenance section of this manual).

## CYLINDER

1. Remove spark plug.
2. Pour one ounce (29 ml) of oil through spark plug hole into cylinder.
3. Pull starter handle slowly a few times to distribute oil.
4. Replace with new spark plug.

## BATTERY

Disconnect the battery from the engine connector and charge battery 48 hours.

## OTHER

- Do not store gasoline from one season to another.
- Replace your gasoline can if your can starts to rust. Rust and/or dirt in your gasoline will cause problems.
- If possible, store your unit indoors and cover it to give protection from dust and dirt.
- Cover your unit with a suitable protective cover that does not retain moisture. Do not use plastic. Plastic cannot breathe, which allows condensation to form and will cause your unit to rust.

**IMPORTANT:** NEVER COVER MOWER WHILE ENGINE AND EXHAUST ARE STILL WARM.

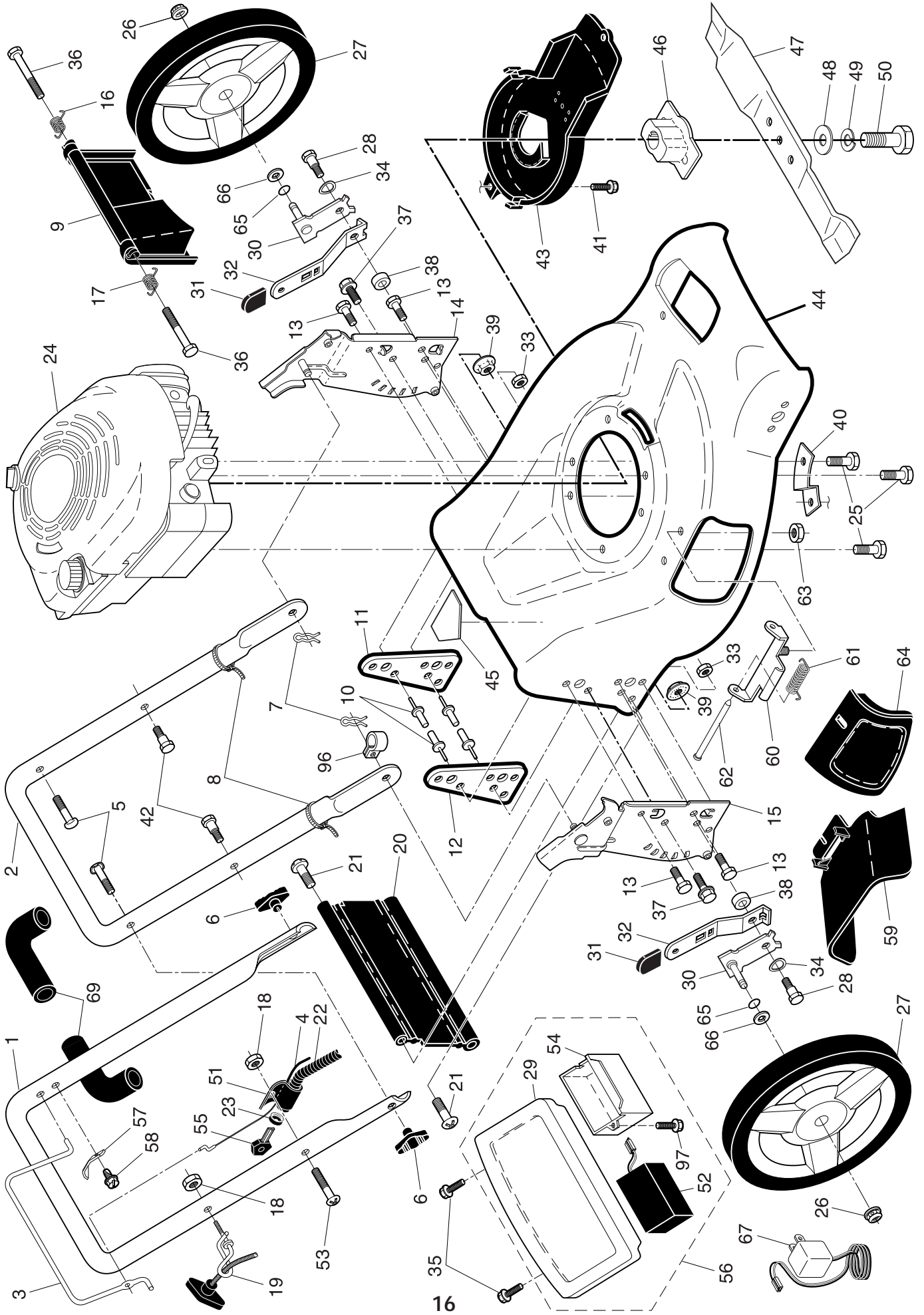


**CAUTION:** Never store the lawn mower with gasoline in the tank inside a building where fumes may reach an open flame or spark. Allow the engine to cool before storing in any enclosure.

# TROUBLESHOOTING POINTS

PROBLEM	CAUSE	CORRECTION
<b>Does not start</b>	<ol style="list-style-type: none"> <li>1. Dirty air filter.</li> <li>2. Out of fuel.</li> <li>3. Stale fuel.</li> <li>4. Water in fuel.</li> <li>5. Spark plug wire is disconnected.</li> <li>6. Bad spark plug.</li> <li>7. Loose blade or broken blade adapter.</li> <li>8. Control bar in released position.</li> <li>9. Control bar defective.</li> <li>10. Fuel valve lever (if equipped) in OFF position.</li> <li>11. Weak battery (if equipped).</li> <li>12. Disconnected battery connector (if equipped).</li> </ol>	<ol style="list-style-type: none"> <li>1. Clean/replace air filter.</li> <li>2. Fill fuel tank.</li> <li>3. Empty fuel tank and refill tank with fresh, clean gasoline.</li> <li>4. Empty fuel tank and refill tank with fresh, clean gasoline.</li> <li>5. Connect wire to plug.</li> <li>6. Replace spark plug.</li> <li>7. Tighten blade bolt or replace blade adapter.</li> <li>8. Depress control bar to handle.</li> <li>9. Replace control bar.</li> <li>10. Turn fuel valve lever to the ON position.</li> <li>11. Charge battery.</li> <li>12. Connect battery to engine.</li> </ol>
<b>Loss of power</b>	<ol style="list-style-type: none"> <li>1. Rear of lawn mower housing or cutting blade dragging in heavy grass.</li> <li>2. Cutting too much grass.</li> <li>3. Dirty air filter.</li> <li>4. Buildup of grass, leaves and trash under mower.</li> <li>5. Too much oil in engine.</li> <li>6. Walking speed too fast.</li> </ol>	<ol style="list-style-type: none"> <li>1. Raise cutting height.</li> <li>2. Raise cutting height.</li> <li>3. Clean/replace air filter.</li> <li>4. Clean underside of mower housing.</li> <li>5. Check oil level.</li> <li>6. Cut at slower walking speed.</li> </ol>
<b>Poor cut – uneven</b>	<ol style="list-style-type: none"> <li>1. Worn, bent or loose blade.</li> <li>2. Wheel heights uneven.</li> <li>3. Buildup of grass, leaves and trash under mower.</li> </ol>	<ol style="list-style-type: none"> <li>1. Replace blade. Tighten blade bolt.</li> <li>2. Set all wheels at same height.</li> <li>3. Clean underside of mower housing.</li> </ol>
<b>Excessive vibration</b>	<ol style="list-style-type: none"> <li>1. Worn, bent or loose blade.</li> <li>2. Bent engine crankshaft.</li> </ol>	<ol style="list-style-type: none"> <li>1. Replace blade. Tighten blade bolt.</li> <li>2. Contact a qualified service center.</li> </ol>
<b>Starter rope hard to pull</b>	<ol style="list-style-type: none"> <li>1. Engine flywheel brake is on when control bar is released.</li> <li>2. Bent engine crankshaft.</li> <li>3. Blade adapter broken.</li> <li>4. Blade dragging in grass.</li> </ol>	<ol style="list-style-type: none"> <li>1. Depress control bar to upper handle before pulling starter rope.</li> <li>2. Contact a qualified service center.</li> <li>3. Replace blade adapter.</li> <li>4. Move lawn mower to cut grass or other hard surface before starting.</li> </ol>
<b>Grass catcher not filling (if so equipped)</b>	<ol style="list-style-type: none"> <li>1. Cutting height too low.</li> <li>2. Lift on blade worn off.</li> <li>3. Catcher not venting air.</li> </ol>	<ol style="list-style-type: none"> <li>1. Raise cutting height.</li> <li>2. Replace blade.</li> <li>3. Clean grass catcher.</li> </ol>
<b>Hard to push</b>	<ol style="list-style-type: none"> <li>1. Grass is too high or wheel height is too low.</li> <li>2. Rear of lawn mower housing or cutting blade dragging in heavy grass.</li> <li>3. Grass catcher too full.</li> <li>4. Handle height position not right for you.</li> </ol>	<ol style="list-style-type: none"> <li>1. Raise cutting height.</li> <li>2. Raise rear of lawn mower housing one (1) setting higher.</li> <li>3. Empty grass catcher.</li> <li>4. Adjust handle height to suit.</li> </ol>
<b>Loss of drive or slowing of drive speed</b>	<ol style="list-style-type: none"> <li>1. Belt wear.</li> <li>2. Belt off of pulley.</li> <li>3. Drive cable worn or broken.</li> <li>4. "Loose" drive control system.</li> </ol>	<ol style="list-style-type: none"> <li>1. Check/replace drive belt.</li> <li>2. Check/reinstall drive belt.</li> <li>3. Replace drive cable.</li> <li>4. Adjust drive control.</li> </ol>

ROTARY LAWN MOWER -- MODEL NUMBER 67521ES (96143003100) - PRODUCT NUMBER 961 43 00-31



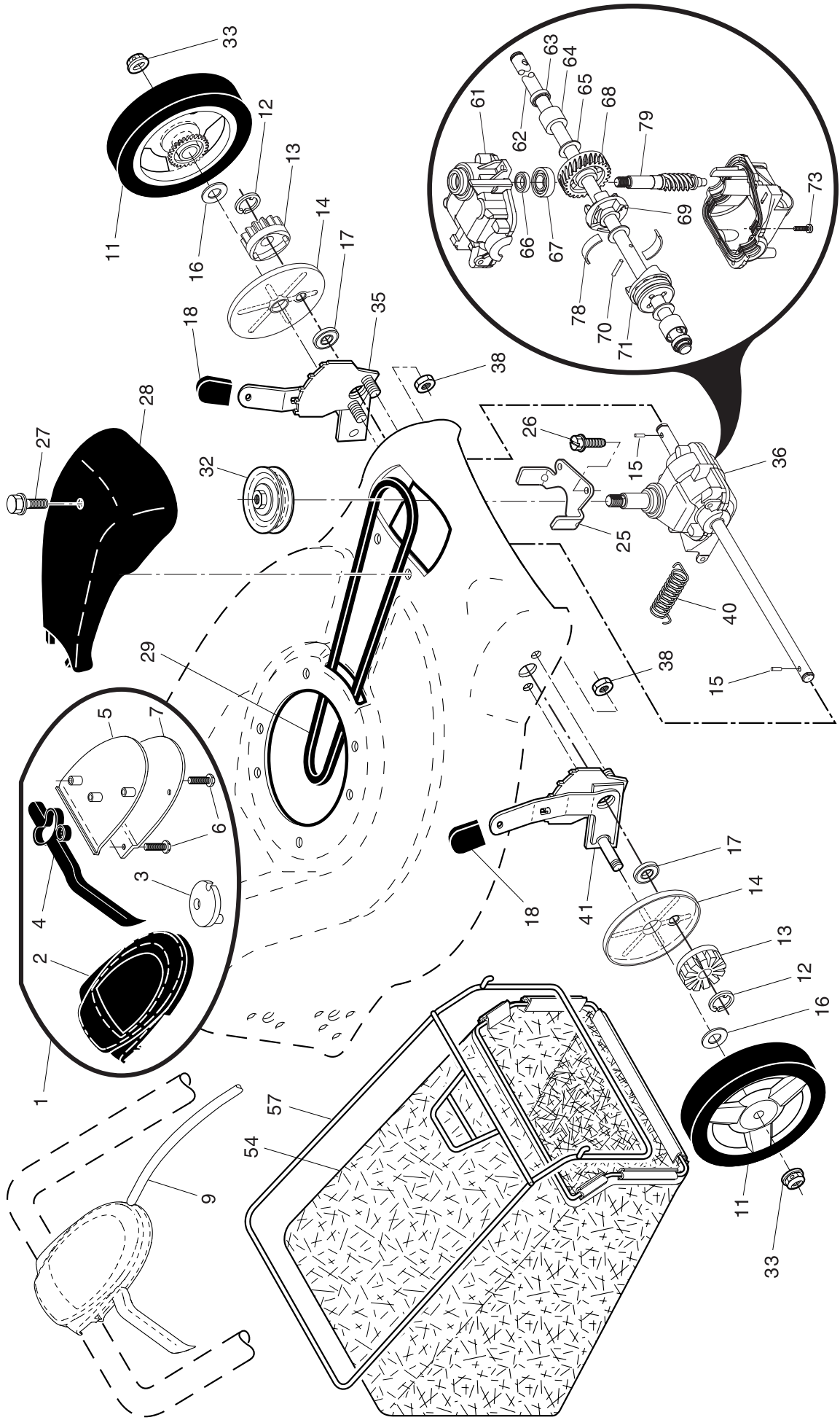


**ROTARY LAWN MOWER - - MODEL NUMBER 67521ES (96143003100) - PRODUCT NUMBER 961 43 00-31**

KEY NO.	PART NO.	DESCRIPTION	KEY NO.	PART NO.	DESCRIPTION
1	532 19 64-03	Upper Handle (Includes Foam Grip)	36	532 18 41-93	Bolt
2	532 41 17-02	Lower Handle	37	874 78 04-12	Bolt
3	532 19 70-19	Control Bar	38	532 40 16-29	Spacer
4	<b>532 40 19-94</b>	Cable, Motor Zone Control	40	532 19 09-39	Mounting Bracket, Debris Shield
5	532 19 15-74	Handle Bolt	41	532 19 23-25	Screw
6	532 19 18-56	Handle Knob	42	532 17 55-51	Screw
7	532 05 17-93	Hairpin Cotter	43	532 40 58-44	Debris Shield
8	532 06 64-26	Wire Tie	44	532 41 78-07	Kit, Lawn Mower Housing
9	532 40 69-85	Rear Door Assembly			(Includes Key Numbers 10, 11, 12 and 45)
10	532 12 84-15	Pop Rivet	45	532 40 47-63	Danger Decal
11	532 41 05-40	Support Bracket, LH	46	532 19 40-37	Blade Adapter
12	532 41 05-42	Support Bracket, RH	47	532 40 67-12	Blade, 21"
13	817 06 04-10	Screw 1/4-20 x 5/8	48	532 85 10-74	Hardened Washer
14	532 41 81-13	Handle Bracket Assembly, LH	49	532 85 02-63	Helical Washer 3/8-24 x 1-3/8 Grade 8
15	532 41 81-12	Handle Bracket Assembly, RH	50	532 85 10-84	Hex Head Machine Screw 3/8-24 x 1-3/8 Grade 8
16	532 40 54-17	Spring, Rear Door, LH	51	532 18 96-86	Key Start Switch (Includes Key)
17	532 40 54-18	Spring, Rear Door, RH	52	532 18 95-89	Battery
18	532 13 20-04	Keps Locknut 1/4-20	53	532 18 61-59	Screw
19	532 19 47-88	Rope Guide	54	532 18 62-37	Battery Box
20	532 41 31-59	Rear Skirt	55	532 18 03-31	Key
21	532 08 86-52	Screw	56	532 19 12-52	Trim Panel / Battery / Battery Box Assembly
22	532 18 96-85	Wiring Harness	57	532 12 51-62	Upstop Bracket
23	532 19 48-48	Nut, Cap	58	532 75 06-34	Screw
24	- - -	Engine, Briggs & Stratton, Model Number 126T05 (for engine service and replacement parts, call Briggs & Stratton at 1-800-233-3723)	59	532 18 55-82	Discharge Deflector
25	532 15 04-06	Hex Head Thread Rolling Screw 3/8-16 x 1-1/8	60	532 17 57-35	Hinge Bracket
26	532 40 91-49	Hex Flange Nut	61	532 19 30-00	Spring
27	532 41 08-15	Wheel & Tire Assembly, Rear	62	532 17 56-50	Hinge Rod
28	532 40 16-38	Shoulder Bolt 5/16-18 x .33	63	873 80 04-00	Nut, Hex
29	532 41 11-90	Trim Panel	64	532 18 55-76	Mulcher Door
30	532 41 31-41	Axle Arm Assembly	65	532 19 74-80	O-Ring
31	532 19 64-01	Selector Knob	66	532 08 83-48	Washer, Flat 1/2
32	532 40 98-89	Selector Spring	67	532 19 00-97	Charger, Battery
33	873 80 05-00	Nut, Hex 5/16-18	69	532 18 27-48	Grip, Foam
34	532 40 16-30	Washer, Curved, Cylindrical	96	532 19 79-91	Clip, Cable
35	532 14 18-41	Screw	97	817 41 13-08	Screw
			--	532 40 47-64	Decal, Warning (not shown)
			--	532 41 73-95	Owner's Manual, English / French

**NOTE:** All component dimensions given in U.S. inches. 1 inch = 25.4 mm

**IMPORTANT:** Use only Original Equipment Manufacturer (O.E.M.) replacement parts. Failure to do so could be hazardous, damage your lawn mower and void your warranty.



**ROTARY LAWN MOWER - - MODEL NUMBER 67521ES (96143003100) - PRODUCT NUMBER 961 43 00-31**

KEY NO.	PART NO.	DESCRIPTION	KEY NO.	PART NO.	DESCRIPTION
1	532 40 73-16	Drive Control Assembly (Includes Cable)	35	532 40 88-62	Kit, Wheel Adjuster, LH (Includes Knob and Bearing)
2	532 41 16-73	Cover, Drive Control, Upper	36	532 40 48-33	Gearcase Assembly, Complete
3	532 40 62-82	Pulley	38	873 80 04-00	Locknut, Hex 1/4-20
4	532 19 00-39	Lever, Drive Control	40	532 40 65-58	Spring
5	532 41 16-64	Cover, Drive Control, Lower	41	532 40 88-61	Kit, Wheel Adjuster, RH (Includes Knob and Bearing)
6	532 18 16-98	Screw	54	532 40 11-90	Grassbag Assembly
7	532 40 07-23	Bracket, Drive	57	532 41 19-50	Frame, Grassbag
9	532 40 62-59	Cable Assembly, Drive	61	532 41 07-26	Case, Upper
11	532 41 10-81	Wheel & Tire Assembly	62	532 41 09-49	Shaft, Output
12	812 00 00-58	E-Ring	63	532 18 35-08	Seal, Output Shaft
13	532 40 38-49	Pinion	64	532 18 35-11	Bushing
14	532 18 94-03	Dust Cover	65	532 18 35-09	Washer
15	532 40 48-45	Pawl, Drive	66	532 18 35-14	Seal, Worm Shaft
16	532 06 77-25	Washer 1/2 x 1-1/2 x .134	67	532 18 35-06	Bearing, Ball
17	532 19 10-39	Bearing, Wheel Adjuster	68	532 41 07-29	Gear, 28 Teeth
18	532 19 64-01	Selector Knob	69	532 41 07-32	Fixed Dog Clutch
25	532 41 16-63	Belt Keeper	70	532 41 07-33	Pin
26	532 16 34-09	Screw, Hi-Lo Thread	71	532 41 07-30	Movable Dog Clutch
27	532 17 52-62	Pan Head Tapping Screw #10-24 x 2-3/4	73	532 18 35-13	Screw, Case
28	532 18 57-15	Drive Cover	74	532 41 07-34	Case, Lower
29	532 19 41-49	V-Belt	78	532 41 07-31	Spring, Leaf
32	532 19 40-18	Drive Pulley	79	532 41 07-27	Shaft, Worm
33	532 40 91-48	Locknut, Hex			

**NOTE:** All component dimensions given in U.S. inches. 1 inch = 25.4 mm

**IMPORTANT:** Use only Original Equipment Manufacturer (O.E.M.) replacement parts. Failure to do so could be hazardous, damage your lawn mower and void your warranty.

# HUSQVARNA WARRANTY STATEMENT

## SECTION 1: LIMITED WARRANTY

Husqvarna Forest & Garden Company ("Husqvarna") warrants Husqvarna product to the original purchaser to be free from defects in material and workmanship from the date of purchase for the "Warranty Period" of the product as set forth below.  
**Lifetime Warranty (Parts and Labor):** All tiller lines and trimmer shafts against breakage. Proof of purchase required.  
**Lifetime Warranty ("PARTS ONLY" after initial warranty expiration):** Ignition coils and modules on handheld product. Proof of purchase required.

### WARRANTY SCHEDULE FOR TURF CARE EQUIPMENT - Zero Turn Riders

(New warranty applies to units sold after August 1, 2005. Also applies to units factory-equipped with R.O.P.S.)  
**EZ Zero Turn Riders:** 3 year consumer warranty or 600 hours of use (when used solely at the owner's residence).  
**EZ Zero Turn Riders:** 1 year commercial warranty or 600 hours of use.  
**IZ, LZ & BZ Zero Turn Riders:** 5 year commercial warranty or 1,500 hours of use.  
**3 Year or 1,500 Hour Commercial Use Warranty:** spindles on zero turn riders, hydraulic pumps and wheel motors.  
Warranty Schedule for Turf Care Walk Behind Units - W, WG & WH Zero Turn Riders - 3 year consumer and commercial warranty. New warranty applies to units sold after August 1, 2005. Also applies to units factory-equipped with R.O.P.S.  
**2 Year COMMERCIAL and CONSUMER Warranty:** all Husqvarna ground-engaging commercial equipment.  
**WARRANTY SCHEDULE FOR CONSUMER TURF CARE EQUIPMENT:**

**2 Year Consumer Warranty:** Automatic mower, all Residential Zero Turn Riders, all lawn, yard and garden tractors, all noncommercial walk behind mowers, tillers, chain saws, trimmers, brushcutters, clearing saws, snow blowers, handheld blowers, backpack blowers, hedge trimmers, electrical products and power-assist collection systems for noncommercial, nonprofessional, noninstitutional or nonincome producing use, except as herein stated. All consumer product use must have been limited to the owner's residence.

### WARRANTY SCHEDULE FOR CONSUMER FOREST & GARDEN EQUIPMENT:

**2 Year Consumer Warranty:** all consumer chain saws, trimmers, brushcutters, clearing saws, handheld blowers, backpack blowers, hedge trimmers, and electrical products for noncommercial, nonprofessional, noninstitutional or nonincome producing use, except as herein stated. All consumer product use must have been limited to the owner's residence.  
**2 Year or 2,000 Hour Powertrain & 1 Year or 1,000 Hour Body Warranty:** Husqvarna Utility Vehicles.  
**1 Year Warranty:** Power cutters, stump grinder, pole pruners and pole saws for non-commercial, non-professional, noninstitutional, non-municipality or non-income producing use. All 300 series trimmers, brushcutters, clearing saws, hovering trimmers, sickle edges, backpack blowers, hand held blowers, hedge trimmers, power-assist collection systems for commercial, institutional, professional or income producing purposes or use.  
**1 Year Conditional Component Warranty:** Chain saw crankshafts for commercial/professional use (parts and labor). Saw must be operated with Husqvarna XP 2 cycle oil.

**90 Day Commercial Warranty:** Automatic mower, chain saws, 100 series trimmers, power cutters, stump grinders, pole saws, pole pruners, snow throwers, model series 580 & 600 walk-behind mowers, or any Husqvarna product used for commercial, institutional, professional, municipality or income producing purposes or use except as otherwise provided herein.  
**Batteries:** 1 year prorated limited warranty with 100% replacement during the first 6 months.

**Rental Warranty:** 90 days on all applicable professional equipment reference warranty time period charts located in the back of the Retailer Warranty Policy & Procedure Manual.

**Husqvarna Safety Apparel** carries a 90-day warranty from the date of the customer's original purchase for defects in material and workmanship. Normal wear, tear or abuse is not covered under warranty. Product must be returned to Charlotte with a warranty claim form. All care and maintenance instructions must be followed as stated by the manufacturer on the care label. The fit of the protective apparel/boots is not covered under warranty.

**30 Day Warranty:** Replacement parts, accessories including bars and chains, tools and display items. Emission control system components necessary to comply with CARB-TIER II and EPA regulations, except for those components which are part of engine systems manufactured by third part engine manufacturers for which the purchaser has received a separate warranty with product at time of purchase.

## SECTION 2: HUSQVARNA'S OBLIGATIONS UNDER THE WARRANTY

Husqvarna will repair or replace defective components without charge for parts or labor if a component fails because of a defect in material or workmanship during the warranty period.

## SECTION 3: ITEMS NOT COVERED BY THIS WARRANTY

The following items are not covered by this warranty:  
(1) Normal customer maintenance items which become worn through normal regular use, including, but not limited to, belts, blades, blade adapters, bulbs, clutches, clutch drums, filters, guide bars, filters, guide bars, rewind springs, saw chain, spark plugs,

starter ropes and lines;

- (2) Natural discoloration of material due to ultraviolet light;
- (3) Engine and drive systems not manufactured by Husqvarna; these items are covered by the respective manufacturer's warranty as provided in writing with the product information supplied at the time of purchase; all claims must be sent to the appropriate manufacturer;
- (4) Lawn and garden attachments are covered by a third party which gives a warranty, all claims for warranty should be sent to the manufacturer;
- (5) Commercial or consumer mowing decks with sand abrasion damage.
- (6) Emission Control System components necessary to comply with CARB-TIER II and EPA regulations which are manufactured by third party engine manufacturer.

## SECTION 4: EXCEPTIONS AND LIMITATIONS

This warranty shall be inapplicable to defects resulting from the following:  
(1) Accident, abuse, misuse, negligence and neglect, including stale fuel, dirt, abrasives, moisture, rust, corrosion, or any adverse reaction due to incorrect storage or use habits;  
(2) Failure to operate or maintain the unit in accordance with the Owner's/Operator's manual or instruction sheet furnished by Husqvarna;  
(3) Alterations or modifications that change the intended use of the product or affects the product's performance, operation, safety, or durability, or causes the product to fail to comply with any applicable laws; or  
(4) Additional damage to parts or components due to continued use occurring after any of the above.

REPAIR OR REPLACEMENT AS PROVIDED UNDER THIS WARRANTY IS THE EXCLUSIVE REMEDY OF THE PURCHASER. HUSQVARNA SHALL NOT BE LIABLE FOR ANY INCIDENTAL OR CONSEQUENTIAL DAMAGES FOR BREACH OF ANY EXPRESS OR IMPLIED WARRANTY ON THESE PRODUCTS EXCEPT TO THE EXTENT PROHIBITED BY APPLICABLE LAW. ANY IMPLIED WARRANTY OF MERCHANTABILITY OR FITNESS FOR A PARTICULAR PURPOSE ON THESE PRODUCTS IS LIMITED IN DURATION TO THE WARRANTY PERIOD AS DEFINED IN THE LIMITED WARRANTY STATEMENT. HUSQVARNA RESERVES THE RIGHT TO CHANGE OR IMPROVE THE DESIGN OF THE PRODUCT WITHOUT NOTICE, AND DOES NOT ASSUME OBLIGATION TO UPDATE PREVIOUSLY MANUFACTURED PRODUCTS.

Some states do not allow the exclusion of incidental or consequential damages, or limitations on how long an implied warranty lasts, so the above limitations or exclusions may not apply to you. This warranty gives you specific legal rights, and you may also have other rights which vary from state to state.

## SECTION 5: CUSTOMER RESPONSIBILITIES

The product must exhibit reasonable care, maintenance, operation, storage and general upkeep as written in the maintenance section of the Owner's/Operator's manual. Should an operational problem or failure occur, the product should not be used, but delivered as is to an authorized Husqvarna retailer for evaluation. Proof of purchase, as explained in section 6, rests solely with the customer.

## SECTION 6: PROCEDURE TO OBTAIN WARRANTY CONSIDERATION

It is the Owner's and Retailer's responsibility to make certain that the Warranty Registration Card is properly filled out and mailed to Husqvarna Forest & Garden Company. This card should be mailed within ten (10) days from the date of purchase in order to confirm the warranty and to facilitate post-sale service.

Proof of purchase must be presented to the authorized Husqvarna retailer in order to obtain warranty service. This proof must include date purchased, model number, serial number, and complete name and address of the selling retailer.

To obtain the benefit of this warranty, the product believed to be defective must be delivered to an authorized Husqvarna retailer in a timely manner, no later than thirty (30) days from date of the operational problem or failure. The product must be delivered at the owner's expense. Downtime, pick-up and delivery charges are not covered by this warranty. An authorized Husqvarna retailer can be normally located through the "Yellow Pages" of the local telephone directory or by calling 1-800-HUSKY62 for a retailer in your area.

**HUSQVARNA**  
7349 Statesville Road  
Charlotte, NC 28269  
Nov 2006



# DÉCLARATION DE GARANTIE

## **SECTION 1 : GARANTIE LIMITEE**

Husqvarna Forest & Garden Company ("Husqvarna") garantit le produit Husqvarna à l'acheteur initial contre tout défaut de matériel et de fabrication pour la "période de garantie" à compter de la date d'achat, tel que stipulé ci-dessous :

**Garantie à vie :** Toutes les dents de moto-bineuses contre le bris, les manches de coupe-herbes, les bobines d'allumage et les modules de produits portatifs.

**Garantie de 3 ans :** Axes (pour les tondeuses autoportées à braquage zéro et les tondeuses autotractées commerciales).

**Garantie COMMERCIALE de 2 ans :** Equipement Husqvarna d'entretien de pelouses—tondeuses autoportées à braquage zéro, tondeuses autotractées de grande largeur de coupe et équipement de binage commercial.

**Garantie NON-COMMERCIALE de 2 ans :** Tondeuse automatique, tondeuses autoportées, tracteurs de pelouse et de jardin, tondeuses autotractées, motobineuses, tronçonneuses, coupe-herbes, débroussaillieuses électriques, débroussaillieuses forestières, soufflouses à neige, souffleurs à main, souffleurs à dos, taille-haies, produits électriques et systèmes de ramassage assisté destinés à des usages non commerciaux, non professionnels, non institutionnels ou non lucratifs, sauf en cas de stipulation contraire des présentes.

Pièces antipollution nécessaires pour assurer la conformité aux normes CARB-TIER II et EPA, à l'exception des pièces faisant partie de systèmes de moteur fabriqués par des fabricants de moteurs tiers pour lesquels l'acheteur a reçu une garantie à part avec les données sur le produit fournies au moment de l'achat.

**Garantie de 1 an :** Décapeuses à disque, broyeur de souche, échelleoils et scies télescopiques destinées à des fins non commerciales, non professionnelles, non institutionnelles ou non lucratives. Tous les coupe-herbes, débroussaillieuses, débroussaillieuses forestières, coupe-herbes sur coussin d'air, tailleuses à barre de coupe, souffleurs à dos, souffleurs à main, taille-haies, systèmes de ramassage assisté utilisés à des fins ou à des emplois commerciaux, institutionnels, professionnels ou lucratifs.

Les batteries sont couvertes en vertu d'une garantie limitée d'un an avec remplacement à 100% au cours des 6 premiers mois ou remboursement calculé au prorata pendant les six mois suivants.

**Garantie de 90 jours :** Tondeuse automatique, tronçonneuses, décapeuses à disque, broyeurs de souche, scies télescopiques, échelleoils, soufflouses à neige, tondeuses autotractées de modèles dans les séries 580 et 600 et matériel d'entretien de pelouses commercial ou tout produit Husqvarna utilisé à des fins ou à des emplois commerciaux, institutionnels, professionnels ou lucratifs, sauf en cas de stipulation contraire des présentes.

Les vêtements de protection Husqvarna sont garantis contre les défauts de matériaux et de fabrication pour une durée de 90 jours à compter de la date d'achat. La garantie ne couvre pas ces produits contre les mauvais usages ou l'usure normale. Le produit doit être retourné à Charlotte accompagné d'un formulaire de réclamation de garantie. Toutes les directives de soins et d'entretien, telles qu'énoncées par le fabricant sur l'étiquette, doivent être respectées. L'ajustement des vêtements/bottes n'est pas couvert en vertu de la garantie.

**Garantie de 30 jours :** Pièces de rechange, accessoires, y compris les barres, les chaînes, les outils et les articles de démonstration.

## **SECTION 2 : LES OBLIGATIONS DE HUSQVARNA EN VERTU DE LA PRÉSENTE GARANTIE**

Husqvarna réparera ou remplacera les pièces défectueuses sans frais de pièces ni de main-d'œuvre si la pièce s'avère défectueuse en raison d'un défaut de matériel ou de fabrication pendant la période de garantie.

## **SECTION 3 : ARTICLES NON COUVERTS EN VERTU DE LA PRÉSENTE GARANTIE**

Les articles suivants ne sont pas couverts en vertu de la présente garantie :

- (1) Les articles entretenus normalement par le client et s'usant avec une utilisation normale et régulière, comprenant les courroies, les lames, les raccords de lames, les ampoules, les filtres, les guides-chaîne, les lubrifiants, les ressorts d'entraînement, les chaînes de tronçonneuse, les bougies, les cordes de démarrage et les dents de scie ;
- (2) La décoration normale des matériaux imputable aux rayons ultraviolets ;
- (3) Les moteurs et systèmes d'entraînement non fabriqués par Husqvarna ; ces articles sont couverts en vertu de la garantie du fabricant en question, tel qu'énoncé par écrit dans les données fournies au

- moment de l'achat ; toute réclamation doit être envoyée au fabricant approprié ;
- (4) Les accessoires pour équipement de jardin et de pelouse sont couverts par une tierce partie qui émet une garantie ; toute réclamation de garantie doit être envoyée au fabricant ; et
  - (5) Les pièces de systèmes antipollution nécessaires pour assurer la conformité aux normes CARB-TIER I et EPA fabriquées par des fabricants de moteurs tiers.

## **SECTION 4 : EXCEPTIONS ET LIMITATIONS**

Cette garantie n'est pas applicable en cas de défauts résultant de l'une des causes suivantes :

- (1) Accident, mauvais usage, négligence et manque d'entretien, y compris le carburant périmé, la saleté, les abrasifs, l'humidité, la rouille, la corrosion ou toute réaction nuisible imputable à de mauvaises pratiques de rangement ou d'utilisation.
- (2) Tout manquement à faire fonctionner ou à entretenir l'appareil conformément au manuel de l'utilisateur/du propriétaire ou à la feuille d'instructions fournis par Husqvarna.
- (3) Modifications ayant pour effet de changer l'utilisation à laquelle le produit est destiné, d'affecter le rendement, le fonctionnement, la sécurité ou la durabilité du produit, ou d'entraîner la non-conformité du produit à toute loi applicable, ou ;
- (4) Tout dommage supplémentaire aux pièces ou composants imputable à la continuation de l'utilisation après l'une des circonstances susmentionnées.

LA RÉPARATION OU LE REMPLACEMENT CONSTITUE LE RECOURS EXCLUSIF DE L'ACHETEUR. HUSQVARNA DÉCLINE TOUTE RESPONSABILITÉ POUR DOMMAGES CONSÉQUENTS OU ACCESSOIRES À LA VIOLATION DE TOUTE GARANTIE EXPRESSE OU TACITE SUR CES PRODUITS, SAUF DANS LA MESURE OÙ LA LOI APPLICABLE L'INTERDIT. TOUTE GARANTIE D'APTITUDE À LA COMMERCIALISATION OU À UN USAGE PARTICULIER EN CE QUI CONCERNE CES PRODUITS SE LIMITE À LA DURÉE DE LA PÉRIODE DE GARANTIE TELLE QUE DÉFINIE DANS LA DÉCLARATION DE GARANTIE LIMITEE HUSQVARNA SE RÉSERVE LE DROIT DE MODIFIER OU D'AMÉLIORER LA CONCEPTION DU PRODUIT SANS PRÉAVIS ET N'ASSUME AUCUNE OBLIGATION AMETTRE À JOUR LES PRODUITS FABRIQUÉS ANTERIEUREMENT.

Du fait que certains États n'autorisent pas l'exclusion des dommages accessoires ou consécutifs, ou encore les limitations quant à la durée d'une garantie tacite, il se peut que les exclusions et limitations susmentionnées ne s'appliquent pas à votre cas. La présente garantie vous confère des droits juridiques précis et il se peut que vous bénéficiez également d'autres droits variant d'un Etat à l'autre.

## **SECTION 5 : RESPONSABILITÉS DU CLIENT**

Le produit doit indiquer un entretien, des soins, un fonctionnement et un rangement raisonnables tel que décrit dans la section sur l'entretien du manuel de l'utilisateur. En cas de problème ou de défaillance de fonctionnement, le produit ne doit pas être utilisé, mais plutôt expédié à un revendeur Husqvarna pour être soumis à une évaluation. La preuve d'achat, tel qu'expliqué à la section 6, est de l'exclusive responsabilité du client.

## **SECTION 6 : MARCHÉ À SUIVRE EN VUE DE LA CONSIDÉRATION DE LA GARANTIE**

Il incombe au propriétaire et au revendeur de s'assurer que la fiche d'inscription de la garantie est dûment remplie et envoyée à Husqvarna Forest & Garden Company. Ladite fiche doit être mise à la poste dans les dix (10) jours suivant la date d'achat afin de confirmer la garantie et de faciliter le service après-vente.

Une preuve d'achat doit être présentée au revendeur Husqvarna pour que la garantie soit appliquée. La dite preuve doit inclure la date d'achat, le numéro de modèle, le numéro de série et le nom et l'adresse, au complet, du revendeur ayant conclu l'achat.

Pour bénéficier de la présente garantie, le produit jugé défectueux doit être livré à un revendeur Husqvarna autorisé en temps opportun, dans les trente (30) jours suivant la date du problème ou de la défaillance de fonctionnement. Le produit doit être expédié aux frais du propriétaire. Les frais de transport ne sont pas couverts en vertu de la présente garantie. Il est généralement possible de trouver un revendeur Husqvarna autorisé en consultant les "Pages jaunes" de l'annuaire local ou en composant le 1 800 HUSKY62 pour connaître un revendeur dans votre région.

**HUSQVARNA**

7349 Statesville Road  
Charlotte, NC 28269 USA

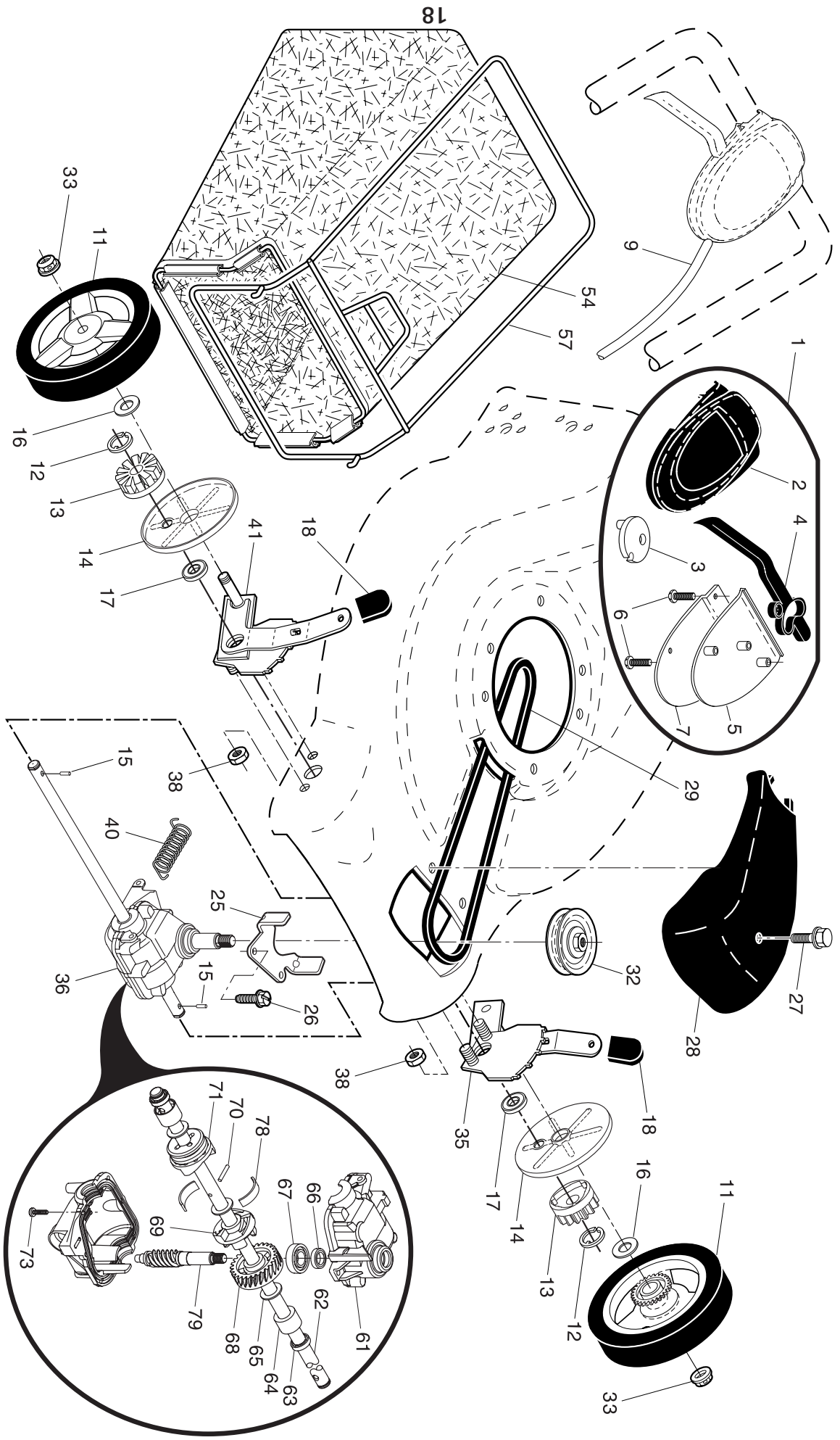
531 83 81-23 2002

**TONDEUSE À GAZON ROTATIVE - - NO. DE MODÈLE 67521ES (96143003100) - NO. DE PRODUIT 961 43 00-31**

NO. DE RÉF	NO. DE PIÈCE	DESCRIPTION	NO. DE RÉF	NO. DE PIÈCE	DESCRIPTION
1	532 40 73-16	Commande d'entraînement (Y Compris Câble)	35	532 40 88-62	Jeu de Dispositif de Relevage des Roues, C.G. (Y compris le Manchon et le Roulement)
2	532 41 16-73	Couvercle d'entraînement, Supérieur	36	532 40 48-33	Ensemble de la Boîte de Vitesse, complet
3	532 40 62-82	Poulie	38	873 80 04-00	Écrou Frein 1/4-20
4	532 19 00-39	Levier d'entraînement	40	532 40 65-58	Ressort de Tension
5	532 41 16-64	Couvercle d'entraînement, Inférieur	41	532 40 88-61	Jeu de Dispositif de Relevage des Roues, C.D. (Y compris le Manchon et le Roulement)
6	532 18 16-98	Vis, Torx #8 x 5/8	54	532 40 11-90	Ensemble de Ramasse-herbe
7	532 40 07-23	Support de Montage	57	532 41 19-50	Cadre de Ramasse-herbe
9	532 40 62-59	Câble d'entraînement	61	532 41 07-26	Moitié, Supérieur
11	532 41 10-81	Ensemble de la Roue et du Pneu	62	532 41 09-49	Arbre d'entraînement
12	812 00 00-58	Bague en E	63	532 18 35-08	Joint détachéité, Arbre d'entraînement
13	532 40 38-49	Pignon	64	532 18 35-11	Douille
14	532 18 94-03	Cache-pousnière	65	532 18 35-09	Rondelle
15	532 40 48-45	Cliquet d'entraînement	66	532 18 35-14	Joint détachéité, Arbre à Vis Sans Fin
16	532 06 77-25	Rondelle 1/2	67	532 18 35-06	Paller
17	532 19 10-39	Roulement de Dispositif de Relevage des Roues	68	532 41 07-29	Vitesse, 28 Dents
18	532 19 64-01	Manchon de Dispositif de Relevage des Roues	69	532 41 07-32	Embrayage, Griffe, Fixée
25	532 41 16-63	Guide-Courroie	70	532 41 07-33	Pince
26	532 16 34-09	Vis, Haut-Bas	71	532 41 07-30	Embrayage, Griffe, Mobile
27	532 17 52-62	Vis Taraudée à Tole #10-24 x 2-3/4	73	532 18 35-13	Vis
28	532 18 57-15	Couvercle d'entraînement	74	532 41 07-34	Moitié, Inférieur
29	532 19 41-49	Courroie Trapézoïdale	78	532 41 07-31	Ressort
32	532 19 40-18	Poulie d'entraînement	79	532 41 07-27	Arbre à Vis Sans Fin
33	532 40 91-48	Écrou Frein			

19

**REMARQUE:** Toutes les dimensions de composant sont données en pouces É.-U. 1 pouce = 25,4 mm. **IMPORTANT:** N'utilisez que les pièces de rechange autorisée par le fabricant de votre souffleuse à neige (O.E.M.). Échec pour faire ainsi est dangereux et risque d'endommager votre souffleuse à neige et d'annuler sa garantie.



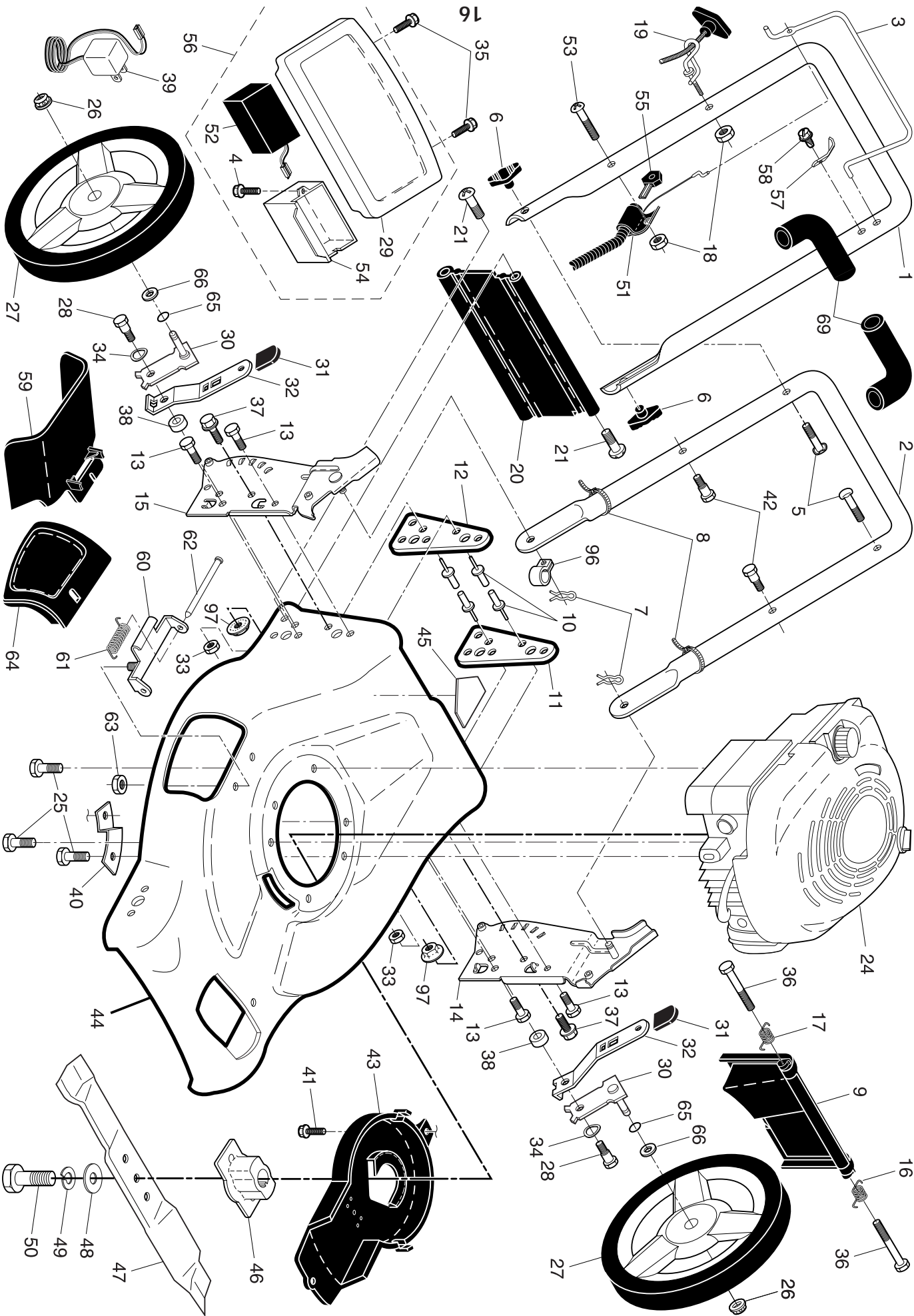
# TONDEUSE À GAZON ROTATIVE - - NO. DE MODÈLE 67521ES (96143003100) - NO. DE PRODUIT 961 43 00-31

NO. DE RÉF	NO. DE PIÈCE	DESCRIPTION	NO. DE RÉF	NO. DE PIÈCE	DESCRIPTION
1	532 19 64-03	Guidon Supérieur (Y Compris le Poignée en Mousse)	36	532 18 41-93	Boulon
2	532 41 17-02	Guidon Inférieur	37	874 78 04-12	Boulon
3	532 19 70-19	Barre de Commande	38	532 40 16-29	Entretoise
4	<b>532 40 19-94</b>	Câble, Commande du Moteur	40	532 19 09-39	Support de Montage, Défecteur de Débris
5	532 19 15-74	Boulon de Guidon	41	532 19 23-25	Vis de Défecteur de Débris
6	532 19 18-56	Bouton de Guidon	42	532 17 55-51	Vis
7	532 05 17-93	Goupille en Epingle à Cheveux	43	532 40 58-44	Défecteur de Débris
8	532 06 64-26	Collier de Serrage de Câble	44	532 41 78-07	Jue de la Boîtier de la Tondeuse (Y compris les Numéros de Réf. 10, 11, 12 et 45)
9	532 40 69-85	Ensemble de la Porte Arrière	45	532 40 47-63	Décalcomanie de Danger
10	532 12 84-15	Rivet	46	532 19 40-37	Adaptateur de Lame
11	532 41 05-40	Support, C.G.	47	532 40 67-12	Lame de 21 po.
12	532 41 05-42	Support, C.D.	48	532 85 10-74	Rondelle Durcie
13	817 06 04-10	Vis 1/4-20 x 5/8	49	532 85 02-63	Rondelle Helicoïdale 3/8
14	532 41 81-13	Ensemble du Support de Guidon, C.G.	50	532 85 10-84	Vis à Metaux H 3/8
15	532 41 81-12	Ensemble du Support de Guidon, C.D.	51	532 18 96-86	Interrupteur de Démarrage à Cle (Y compris Cle)
16	532 40 54-17	Ressort de la Porte Arrière, C.G.	52	532 18 95-89	Batterie
17	532 40 54-18	Ressort de la Porte Arrière, C.D.	53	532 18 61-59	Vis
18	532 13 20-04	Écrou H 1/4-20	54	532 18 62-37	Bac de Batterie
19	532 19 47-88	Guide de Câble de Démarreur	55	532 18 03-31	Cle
20	532 41 31-59	Jupe Arrière	56	532 19 12-52	Ensemble de la Batterie, Bac de Batterie et de Plaque de Moulure
21	532 08 86-52	Vis	57	532 12 51-62	Support d'arrêt Supérieur
22	532 18 96-85	Harnais de Fil	58	532 17 06-34	Vis
23	532 19 48-48	Écrou, Chapeau	59	532 18 55-82	Défecteur de Discharge
24	- - -	Moteur, Briggs & Stratton, Numero de Modèle 126T05 (Pour des pièces de service et de rechange de moteur, réclamez Briggs & Stratton à 1-800-233-3723)	60	532 17 57-35	Support à Charnière
25	532 15 04-06	Boulon	61	532 19 30-00	Ressort
26	532 40 91-49	Écrou Frein à Collet	62	532 17 56-50	Tige à Charnière
27	532 41 08-15	Ensemble de Roue et de Pneu, Arrière	63	873 80 04-00	Écrou Frein
28	532 40 16-38	Boulon à Epaulement 5/16-18 x 0.33	64	532 18 55-76	Porte de Broyeuse
29	532 41 11-90	Plaque de Moulure	65	532 19 74-80	Joint Torique
30	532 41 31-41	Ensemble du Bras d'essieu	66	532 08 83-48	Rondelle Plate
31	532 19 64-01	Manchon de Dispositif de Relevage des Roues	67	532 19 00-97	Chargeur de Batterie
32	532 40 98-89	Lever à Ressort de Dispositif de Relevage des Roues	69	532 18 27-48	Poignée en Mousse
33	873 80 05-00	Écrou Frein 5/16-18	96	532 19 79-91	Pince, Câble
34	532 40 16-30	Rondelle Curvée	97	817 41 13-08	Vis
35	532 14 18-41	Vis	- -	532 40 47-64	Décalcomanie (n'est pas montée)
			- -	532 41 73-95	Manuel de Propriétaire, Français / Anglais

**REMARQUE:** Toutes les dimensions de composant sont données en pouces É.-U. 1 pouce = 25.4 mm. **IMPORTANT:** N'utilisez que les pièces de rechange autorisée par le fabricant de votre souffleuse à neige (O.E.M.). Échec pour faire ainsi est dangereux et risque d'endommager votre souffleuse à neige et d'annuler sa garantie.



TONDEUSE A GAZON ROTATIVE - - NO. DE MODELE 67521ES (96143003100) - NO. DE PRODUIT 961 43 00-31



# GUIDE DE DÉPANNAGE

PROBLÈME	CAUSE	SOLUTION
Le moteur refuse de démarrer	<ol style="list-style-type: none"> <li>1. Filtre à air sale.</li> <li>2. Sans essence.</li> <li>3. Essence trop vieille.</li> <li>4. Eau dans l'essence.</li> <li>5. Fil de bougie d'allumage débranché.</li> <li>6. Mauvaise bougie d'allumage.</li> <li>7. lame desserrée ou adaptateur de lame cassé.</li> <li>8. Barre de commande relâchée.</li> <li>9. Barre de commande est défectueuse.</li> <li>10. La valve d'essence (si équipée) est dans la position de marche OFF.</li> <li>11. Batterie faible (si équipée).</li> <li>12. Connexion de batterie débranchée (si équipée).</li> </ol>	<ol style="list-style-type: none"> <li>1. Nettoyez ou remplacez le filtre à air.</li> <li>2. Remplissez le réservoir d'essence.</li> <li>3. Vidangez le réservoir d'essence et remplissez le réservoir avec de l'essence fraîche.</li> <li>4. Vidangez le réservoir d'essence et remplissez le réservoir avec de l'essence fraîche.</li> <li>5. Branchez le fil de bougie d'allumage à la bougie d'allumage.</li> <li>6. Changez la bougie d'allumage.</li> <li>7. Serrez le boulon de lame ou remplacez l'adaptateur de lame.</li> <li>8. Tenez la barre de commande contre le guidon.</li> <li>9. Remplacez la barre de commande.</li> <li>10. Tournez la valve d'essence dans la position de marche ON.</li> <li>11. Chargez la batterie.</li> <li>12. Branchez la batterie au moteur.</li> </ol>
Le moteur manque de puissance	<ol style="list-style-type: none"> <li>1. Arrière du boîtier de tondeuse à gazon ou lame entraînée dans l'herbe haute.</li> <li>2. Tondez trop d'herbes.</li> <li>3. Filtre à air sale.</li> <li>4. Il y a une accumulation d'herbe, de feuilles et de débris sous la tondeuse.</li> <li>5. Trop d'huile dans le moteur.</li> <li>6. Vitesse de marche de pied trop rapide.</li> </ol>	<ol style="list-style-type: none"> <li>1. Soulevez la hauteur de coupe.</li> <li>2. Soulevez la hauteur de coupe.</li> <li>3. Nettoyez le dessous du boîtier de tondeuse à gazon.</li> <li>4. Nettoyez le niveau d'huile.</li> <li>5. Vérifiez le niveau d'huile.</li> <li>6. Baissez la vitesse de marcher.</li> </ol>
Coupe irrégulière	<ol style="list-style-type: none"> <li>1. lame usée, tordue, ou desserrée.</li> <li>2. Vitesse de moteur basse.</li> <li>3. Il y a une accumulation d'herbe, de feuilles et de débris sous la tondeuse.</li> </ol>	<ol style="list-style-type: none"> <li>1. Remplacez la lame. Serrez le boulon de lame.</li> <li>2. Réglez la commande de vitesse de moteur à la position rapide.</li> <li>3. Nettoyez le dessous du boîtier de tondeuse à gazon.</li> </ol>
Vibrations excessives	<ol style="list-style-type: none"> <li>1. lame usée, tordue, ou desserrée.</li> <li>2. Vibrequin tordu.</li> </ol>	<ol style="list-style-type: none"> <li>1. Remplacez la lame. Serrez le boulon de lame.</li> <li>2. Contactez un centre d'entretien qualifié.</li> </ol>
Câble de démarreur difficile à tirer	<ol style="list-style-type: none"> <li>1. Le frein du volant d'entraînement est serré quand la barre de commande est relâchée.</li> <li>2. Vibrequin tordu.</li> <li>3. Adaptateur de lame cassé.</li> <li>4. lame entraînée dans l'herbe.</li> </ol>	<ol style="list-style-type: none"> <li>1. Tenez la barre de commande contre le guidon supérieur avant de tirer le câble de démarreur.</li> <li>2. Contactez un centre d'entretien qualifié.</li> <li>3. Changez l'adaptateur de lame.</li> <li>4. Pour démarrer la tondeuse à gazon, poussez-la sur une zone où l'herbe est déjà coupée ou sur un terrain dur et plat.</li> </ol>
Le ramasse-herbe ne se remplit pas (si muni d'un)	<ol style="list-style-type: none"> <li>1. Hauteur de coupe est trop basse.</li> <li>2. La section de lame qui souève l'herbe est usée.</li> <li>3. Le ramasse-herbe ne permet plus le passage d'air.</li> </ol>	<ol style="list-style-type: none"> <li>1. Soulevez la hauteur de coupe.</li> <li>2. Changez la lame.</li> <li>3. Nettoyez le sac de décharge.</li> </ol>
Difficile à pousser	<ol style="list-style-type: none"> <li>1. L'herbe est trop haute ou la hauteur de roue est trop basse.</li> <li>2. Arrière du boîtier de tondeuse à gazon ou la lame entraînée dans l'herbe haute.</li> <li>3. Le ramasse-herbe est trop plein.</li> <li>4. Hauteur de guidon ne vous convient pas.</li> </ol>	<ol style="list-style-type: none"> <li>1. Soulevez la hauteur de coupe.</li> <li>2. Soulevez la partie arrière du boîtier de tondeuse à gazon un (1) réglage de plus.</li> <li>3. Videz le ramasse-herbe.</li> <li>4. Réglez le guidon à une hauteur qui vous convient.</li> </ol>
Perte de commande ou ralentissement de la vitesse d'entraînement	<ol style="list-style-type: none"> <li>1. Usure de la courroie.</li> <li>2. Tirez la courroie de la poulie.</li> <li>3. Ressort de tension de la courroie enlevé.</li> <li>4. Le système d'entraînement "desserré".</li> </ol>	<ol style="list-style-type: none"> <li>1. Vérifiez/remplacez la courroie d'entraînement.</li> <li>2. Vérifiez/réinstallez la courroie d'entraînement.</li> <li>3. Remplacez le ressort de tension de la courroie.</li> <li>4. Ajustez la commande d'entraînement.</li> </ol>

# ENTREPOSAGE

## GUIDON (voir les Figs. 19 et 20)

Le guidon de votre tondeuse à gazon peut être replié pour l'entreposage.

1. Poussez l'une vers l'autre les extrémités inférieures du guidon inférieur jusqu'à ce qu'il se libère de son support de guidon. À ce moment-là poussez le guidon en avant par-dessus la tondeuse.
  2. Desserrez les boulons de montage du guidon supérieur jusqu'à ce que vous puissiez replier le guidon supérieur.
- IMPORTANT:** QUAND VOUS REPLIEZ LE GUIDON POUR L'ENTREPOSAGE OU LE TRANSPORT, ASSUREZ-VOUS QUE VOUS PLIEZ LE GUIDON COMME MONTRÉ, OU VOUS POURRIEZ ENDOMMAGER LES CABLES DE COMMANDE.
- Lorsque vous déplierez le guidon, le guidon inférieur bloquera automatiquement dans la position d'utilisation.

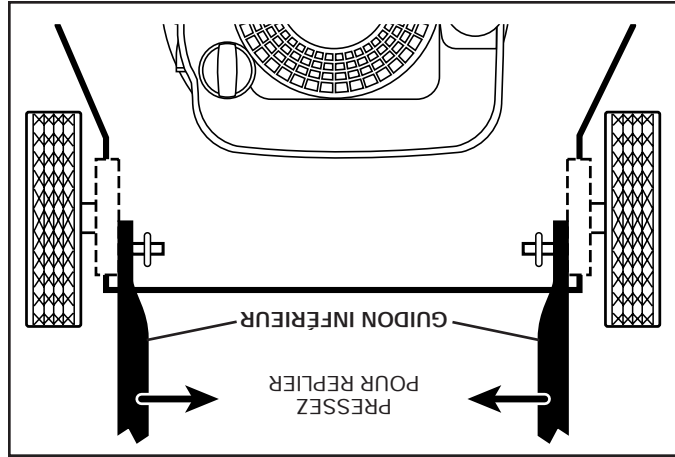


FIG. 19

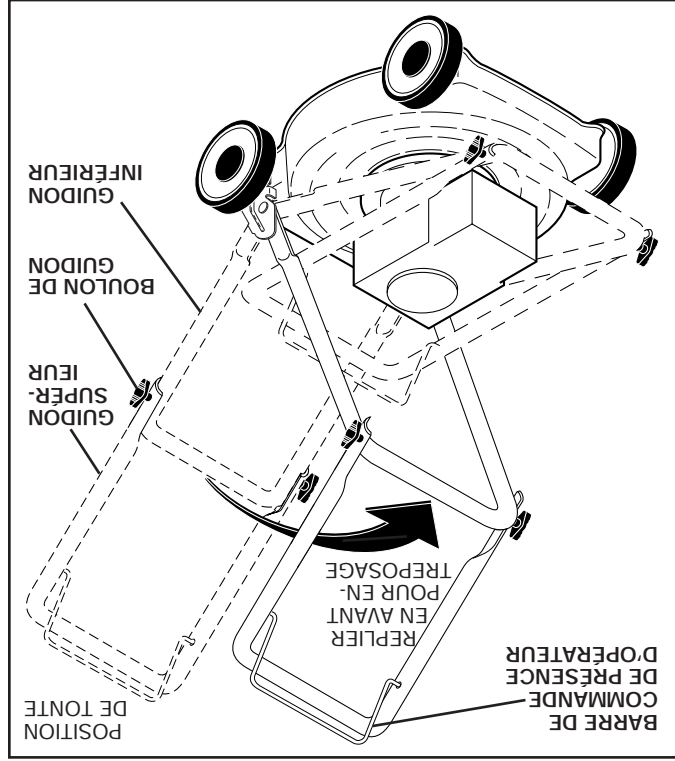


FIG. 20

## MOTEUR SYSTÈME D'ESSENCE

**IMPORTANT:** IL EST IMPORTANT DE PRÉVENIR, PENDANT L'ENTREPOSAGE, LES DÉPÔTS DE GOMME DANS LES PARTIES ESSENTIELLES DU SYSTÈME D'ESSENCE TELLES QUE LE CARBURATEUR, LE FILTRE À ESSENCE, LES CONDUITES D'ESSENCE, OU LE RÉSERVOIR D'ESSENCE. LES ESSENCES CONTENANT DE L'ALCOOL (ÉTHANOL OU MÉTHANOL ET PARFOIS APPELÉES GASOHOL) PEUVENT ABSORBER DE L'HUMIDITÉ. CECI CONDUIT À LA SÉPARATION DES ÉLÉMENTS DE CONSERVATION PROLONGÉE. L'ESSENCE DEVENUE ACIDE PEUT AVARIER LE SYSTÈME D'ESSENCE PENDANT LA DURÉE DE L'ENTREPOSAGE.

- Vidangez le réservoir d'essence en mettant en marche le moteur et le laissant courir jusqu'à ce que les conduites d'essence et le carburateur soient vides.
- N'utilisez jamais de produits spéciaux pour nettoyer le moteur ou le carburateur dans le réservoir d'essence. L'emploi de ces produits pourrait causer des dégâts permanents.
- Utilisez de l'essence fraîche l'année suivante.

**REMARQUE:** Les stabilisateurs d'essence sont une alternative acceptable pour minimiser la formation des dépôts de gomme pendant les périodes d'entreposage. Ajoutez le stabilisateur dans l'essence dans le réservoir d'essence ou le bidon d'essence. Respectez le rapport d'essence/stabilisateur indiqué sur le flacon de stabilisateur. Marchez le moteur pendant au moins 10 minutes après avoir ajouté le stabilisateur pour permettre le stabilisateur d'atteindre le carburateur. Ne vidangez pas le réservoir d'essence ou le carburateur si vous utilisez un stabilisateur d'essence.

## HUILE DE MOTEUR

Vidangez l'huile (avec un moteur chaud) et remplacez avec de l'huile de moteur fraîche (Voir "MOTEUR" dans la section d'entretien de ce manuel).

## CYLINDRE

1. Enlevez la bougie d'allumage.
  2. Versez 29 ml (une once) d'huile par l'orifice de la bougie d'allumage dans le cylindre.
  3. Tirez lentement la poignée de démarrage pendant quelques secondes pour répartir l'huile.
  4. Installez une nouvelle bougie d'allumage.
- Débranchez la batterie de la connexion du moteur et chargez la batterie pendant 48 heures.

## AUTRES

- Ne conservez pas d'essence d'une saison à l'autre.
  - Changez votre bidon d'essence s'il commence à rouiller. La rouille et/ou les saletés dans l'essence feront arriver les problèmes.
  - Si possible, entreposez votre tondeuse à gazon à l'intérieur d'un bâtiment et couvrez-la pour la protéger des saletés et de la poussière.
  - Couvrez votre tondeuse à gazon avec une housse adéquate qui ne retient pas l'humidité. N'utilisez pas de plastique. Le plastique ne peut pas respirer ce qui permet la condensation et la formation de rouille sur votre tondeuse à gazon.
- IMPORTANT:** NE COUVREZ JAMAIS VOTRE TONDEUSE À GAZON QU'AND LE MOTEUR ET LE SILENCIEUX SONT ENCORE CHAUDS.



**ATTENTION:** N'entreposez jamais à l'intérieur d'un bâtiment une tondeuse à gazon avec de l'essence dans le réservoir. Les vapeurs d'essence en provenance du réservoir peuvent s'enflammer au contact d'une flamme découverte ou des étincelles. Laissez refroidir le moteur avant de placer la tondeuse à gazon dans un espace clos.

# RÉVISION ET RÉGLAGES

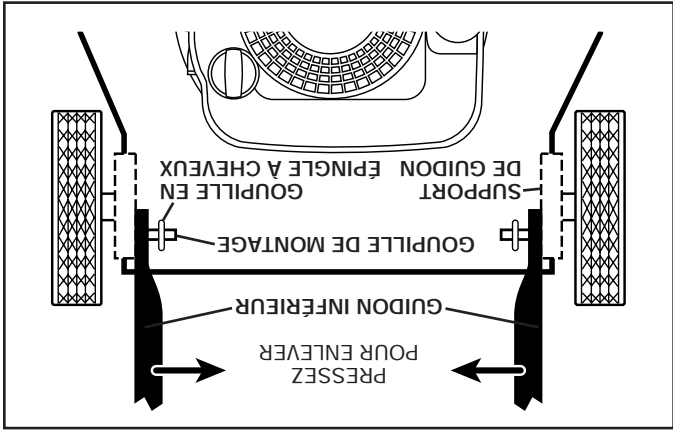


FIG. 16

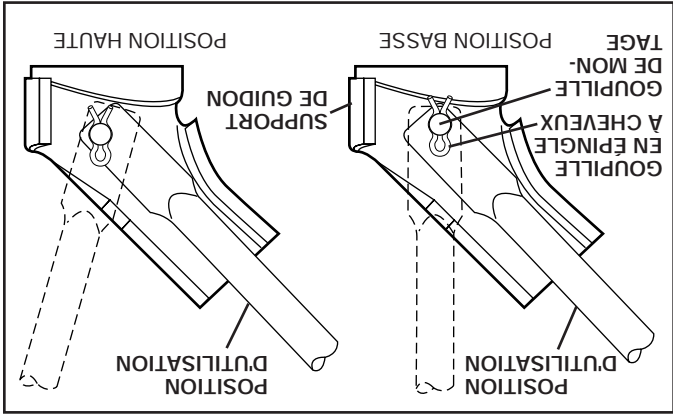


FIG. 17

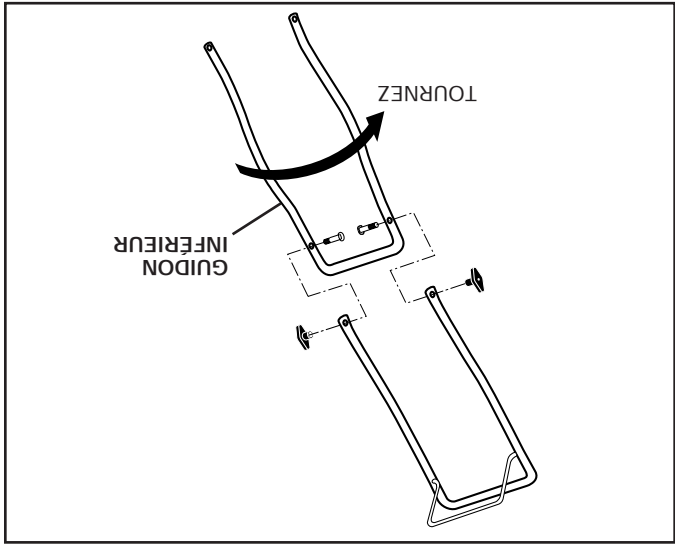


FIG. 18

## MOTEUR

### VITESSE DE MOTEUR

La vitesse de votre moteur a été réglée à l'usine. N'essayez pas d'augmenter la vitesse du moteur; ceci pourrait causer des blessures. Si vous pensez que le moteur tourne trop vite ou trop lentement, apportez votre tondeuse à gazon au centre de service qualifié pour la réparer ou la régler.

### CARBURATEUR

Votre carburateur n'est pas réglable. Si votre moteur ne fonctionne pas correctement à cause des problèmes avec le carburateur, veuillez apporter la tondeuse à gazon au centre de service qualifié le plus proche pour faire la réparation et/ou le réglage.

**IMPORTANT:** NE TOUCHEZ PAS LE RÉGULATEUR DE MOTEUR QUI A ÉTÉ RÉGLÉ À L'USINE AVEC LA VITESSE DE MOTEUR CORRECTE. NE DÉPASSEZ JAMAIS LA VITESSE DE MOTEUR QUI A ÉTÉ ÉTABLIE À L'USINE. CETTE ACTION PEUT ÊTRE DANGÉREUSE. SI VOUS PENSEZ QU'UN RÉGLAGE DE LA VITESSE MAXIMUM SOIT NÉCESSAIRE, CONTACTEZ LE CENTRE DE SERVICE QUALIFIÉ LE PLUS PROCHE. IL Y A DES TECHNICIENS BIEN QUALIFIÉS ET DES OUTILS APPROPRIÉS POUR FAIRE LES RÉPARATIONS NÉCESSAIRES.

## TONDEUSE À GAZON

Préparez immédiatement votre tondeuse à gazon pour l'entreposage à la fin de la saison ou si la tondeuse à gazon ne sera pas utilisée pour une période de 30 jours ou plus.

Quand la tondeuse à gazon doit être entreposée pour une certaine période, nettoyez-la soigneusement, enlevez toutes la saleté, la graisse, les débris feuilles. Entrez la tondeuse dans un endroit propre et sec.

1. Nettoyez la tondeuse à gazon dans sa totalité (Réferez-vous à la section de "NETTOYAGE" dans la section d'entretien de ce manuel).
2. Lubrifiez comme montré dans la section d'entretien de ce manuel.
3. Assurez-vous que tous les écrous, les boulons, les vis et les goupilles soient bien attachés. Vérifiez les pièces tournantes pour l'avarie, la casse, et l'usure. Remplacez-les si nécessaire.
4. Retouchez les surfaces rouillées et les surfaces où la peinture est abîmée; poncez légèrement avant de peindre.

# RÉVISION ET RÉGLAGES



**ATTENTION: AVANT D'EFFECTUER TOUTS LES RÉVISIONS OU RÉGLAGES:**

1. Relâchez la barre de commande et arrêtez le moteur.
2. Assurez-vous que la lame et toutes les pièces mobiles soient arrêtées complètement.
3. Débranchez le fil de bougie d'allumage et posez-le de telle façon qu'il ne puisse pas entrer en contact avec la bougie d'allumage.

## TONDEUSE À GAZON

### POUR RÉGLER LA HAUTEUR DE COUPE

Voir "RÉGLER LA HAUTEUR DE COUPE" dans la section d'utilisation de ce manuel.

### DÉFLECTEUR ARRIÈRE

Le déflecteur arrière fixé entre les roues arrière de votre tondeuse à gazon, est utilisé pour diminuer le risque de projection des objets à l'arrière de la tondeuse dans l'espace occupé par l'opérateur lors de la tonte. Si le déflecteur arrière est avarié, il devrait être remplacé.

### TO REMOVE DRIVE BELT (See Fig. 13)

1. Retirez le couvercle et le guide-courroie.
2. Retirez la courroie sur la poulie de la boîte de vitesses.
3. Inclinez la tondeuse à gazon sur le côté avec le filtre à air et le carburateur vers le haut.
4. Enlevez la lame, la poulie de moteur et le protecteur de débris.
5. Enlevez la courroie et la poulie de moteur de le protecteur de débris.

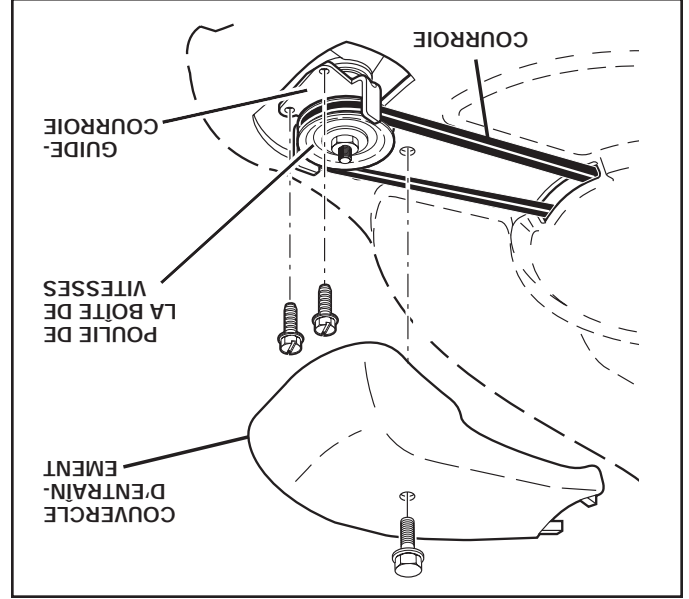


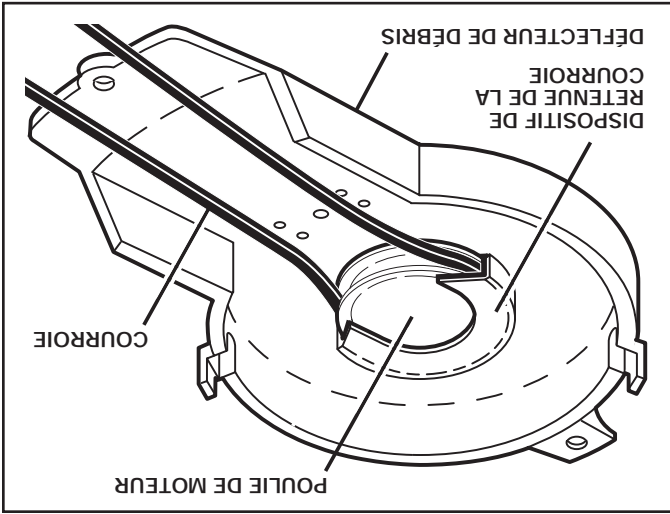
FIG. 13

### POUR RÉGLER LE GUIDON

(Voir les Figs. 16, 17 et 18)

1. Enlevez le guidon supérieur et attachez le guidon en fil fixant le(s) câble(s) au guidon inférieur.
2. Enlevez les goupilles en épingle à cheveux de la goupille de montage du support de guidon inférieur.
3. Pressez le guidon inférieur pour l'enlever des goupilles de montage.
4. Tournez le guidon inférieur pour soulever ou baisser le guidon.
5. Pressez le guidon inférieur et mettez les trous sur les goupilles de montage du support de guidon.
6. Remettez en place le guidon supérieur et toutes les pièces enlevées du guidon inférieur.

FIG. 14



### TO REPLACE DRIVE BELT (See Fig. 14)

1. Insérez la nouvelle courroie du poulie de moteur et le système d'entraînement dans les dispositifs de retenue de la courroie du pare-débris.
2. Acheminez l'autre bout de la nouvelle courroie du système d'entraînement à travers le trou du châssis.
3. Réinstallez le protecteur de débris.
4. Remettez la tondeuse à gazon en position droite.
5. Installez la nouvelle ceinture sur la poulie de la boîte de vitesses.
6. Réinstallez le guide-courroie et la courroie.

**REMARQUE:** Utilisez toujours une courroie approuvée par le fabricant pour assurer une adaptation parfaite et une longue durabilité.

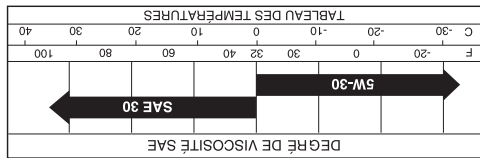
7. Inclinez la tondeuse à gazon sur le côté avec le filtre à air et le carburateur vers le haut.
8. Réinstallez la lame.

# ENTRETIEN

## MOTEUR

### LUBRIFICATION DU MOTEUR

Utilisez seulement l'huile détergente de qualité supérieure classée API SG-SL. Choisissez le grade de viscosité SAE de l'huile selon la température à laquelle vous utiliserez la tondeuse.



**REMARQUE:** Les huiles de multigrades (5W30, 10W30 etc.)

d'huile de moteur fréquemment pour éviter l'endommagement du moteur dû à l'utilisation avec un niveau d'huile bas.

Changez l'huile après chaque 25 heures d'utilisation ou au moins une fois par an si la tondeuse est utilisée moins de 25 heures par an. Vérifiez le niveau d'huile du Carter-moteur avant de démarrer le moteur et après chaque cinq (5) heures d'utilisation continue. Serrez à fond le bouchon d'huile chaque fois que vous vérifiez le niveau d'huile.

### CHANGER L'HUILE DE MOTEUR (voir Fig. 12)

**REMARQUE:** Avant de basculer la tondeuse à gaz pour vider l'huile, vidangez le réservoir d'essence en laissant marcher le moteur jusqu'à ce que le réservoir soit vide.

1. Débranchez le fil de bougie d'allumage et posez-le de telle façon qu'il ne puisse pas entrer en contact avec la bougie d'allumage.
2. Enlevez le bouchon d'huile de moteur, posez-le à part sur une surface propre.
3. Inclinez la tondeuse à gaz sur le côté et vidangez l'huile dans une cuvette appropriée. Faites faire un mouvement de va-et-vient à la tondeuse à gaz pour enlever l'huile emprisonnée dans le moteur.

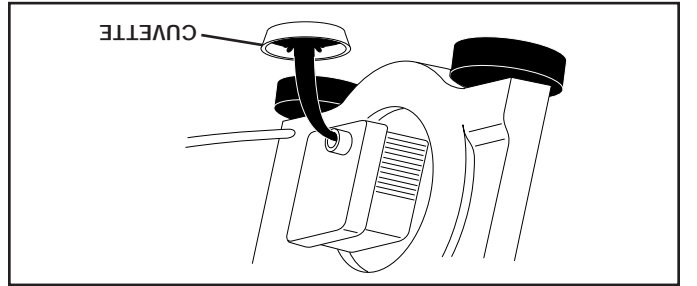


FIG. 12

4. Essayez tout débordement d'huile sur la tondeuse à gaz et sur le côté du moteur.
5. Ersez lentement l'huile en bas du bec de suffisance d'huile, cessant toutes les quelques onces pour vérifier le niveau d'huile avec le jauge d'huile.
6. Cessez d'ajouter l'huile quand vous atteignez la pleine (FULL) marque sur le jauge d'huile. Attendez une minute pour permettre que l'huile se rassemble.
7. Continuez d'ajouter un peu d'huile, revérifiant le jauge d'huile jusqu'à ce que le niveau d'huile arrange à plein (FULL). NE remplissez pas trop le moteur avec de l'huile, ou il fumera fortement du silencieux sur la mise en marche.
8. Assurez-vous toujours de resserrer la gâchette avant de mettre en marche le moteur.
9. Branchez le fil de bougie d'allumage à la bougie d'allumage.

### FILTRE À AIR (voir Fig. 13)

L'utilisation d'un filtre à air sale empêche le bon fonctionnement du moteur et peut entraîner l'endommagement de ce dernier. Remplacez le filtre à air chaque année ou toutes les 100 heures d'utilisation, plus souvent si vous tondez le gazon sous des conditions très poussiéreuses et sales.

11

## NETTOYER LE FILTRE À AIR

1. Desserrez la vis et inclinez le couvercle pour l'enlever.
2. Enlevez soigneusement la cartouche.
3. Nettoyez en tapant légèrement sur une surface plate. Si la cartouche est très sale, remplacez-la ou nettoyez-la comme suit.

**ATTENTION:** Les solvants de pétrole, comme le kérosène, ne doivent pas être utilisés pour nettoyer la cartouche. Ils peuvent causer la détérioration de la cartouche. N'utilisez pas l'air comprimé pour nettoyer ou sécher la cartouche.

4. Installez la cartouche, ensuite remettez le couvercle et assurez-vous que les pattes sont alignées avec les fentes de la plaque arrière. Serrez à fond la vis.

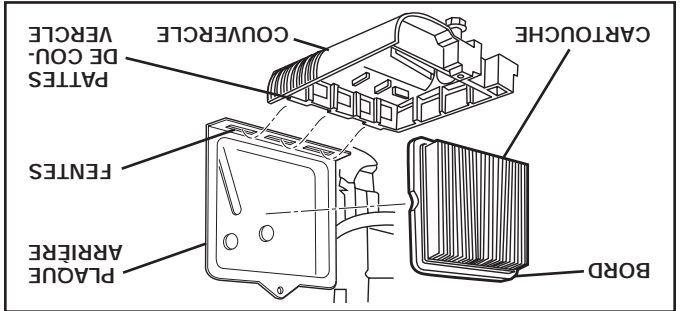


FIG. 13

### SILENCIEUX

Inspectez et remplacez le silencieux corrodé pour éviter les risques d'incendie et/ou les dégâts.

### BOUGIE D'ALLUMAGE

Remplacez la bougie d'allumage au début de chaque saison de tonte ou après toutes les 100 heures d'utilisation ce qui se présente en premier. Pour le type de bougie d'allumage et le réglage d'écartement, référez-vous à la "SPECIFICATIONS DE PRODUIT" section de ce manuel.

### NETTOYAGE

**IMPORTANT:** POUR LE MEILLEUR RENDEMENT, MAINTENEZ LE BOÎTIER DE TONDEUSE EXEMPT DE L'ACCUMULATION DE L'HERBE ET LES DÉBRIS. NETTOYEZ LE DESSOUS DU BOÎTIER DE TONDEUSE APRES CHAQUE UTILISATION.

**ATTENTION:** Débranchez le fil de bougie d'allumage et posez-le de telle façon qu'il ne puisse pas entrer en contact avec la bougie.

- Nettoyez le dessous de la tondeuse en grattant pour enlever l'accumulation d'herbe et de débris.
- Nettoyez fréquemment le moteur pour éviter l'accumulation de débris. Un moteur sale marche à une température plus élevée et par conséquent à une espérance de vie plus courte que normale.
- Essayez les surfaces finies et les roues de toutes les traces d'essence, d'huile, etc.
- Nous ne recommandons pas l'emploi d'un tuyau d'arrosage pour nettoyer votre tondeuse à gaz à moins que le système électrique, le silencieux, le filtre à air et le carburateur soient couverts pour les mettre à l'abri de l'eau. La présence d'eau dans un moteur peut en réduire l'espérance de vie.

**NETTOYER SOUS LE COUVERCLE DE LA COURROIE D'ENTRAÎNEMENT**  
Nettoyez sous le couvercle de la courroie d'entraînement au moins deux fois chaque saison. Grattez le dessous du couvercle avec un couteau de mastic ou un outil semblable pour enlever toute accumulation de débris ou d'herbe sous le couvercle.

## TONDEUSE À GAZON

Observez toujours les règles de sécurité quand vous faites l'entretien.

### PNEUS

- Assurez-vous que vos pneus ne soient pas en contact avec l'essence, de l'huile ou des produits de chimique insecticide qui pourraient détruire le caoutchouc.
- Évitez les souches, les pierres, les ornements profonds, les objets tranchants et les autres hasards qui pourraient causer des dégâts les pneus.

### ROUES MOTRICES

Vérifiez toujours les roues motrices avant de tondre pour assurer qu'elles tournent librement. Si les roues ne tournent pas librement, il y a des débris, de l'herbe coupée, etc. à l'intérieur des roues et ces dernières doivent être nettoyées. S'il est nécessaire à nettoyer les roues motrices, vérifiez les deux roues avant.


- Enlevez les chapeaux de moyeu, les écrous frein, et les rondelles.
- Enlevez les roues des dispositifs de réglage des roues.
- Enlevez les débris ou l'herbe coupée de l'intérieur des cache-poussière, des pignons et/ou des dents d'engrenage des roues motrices.
- Réinstallez les roues.

**REMARQUE:** Si les roues ne tournent pas librement après avoir été nettoyées, contactez un centre de service Sears ou un autre centre de service qualifié.

### SOIN DE LAME

Pour les meilleurs résultats, la lame de tondeuse doit être bien aiguisée. Remplacez les lames tordues ou abîmées.

**DANGER:** N'utilisez que les lames de recharge autorisées par le fabricant de votre tondeuse. L'usage d'une lame n'ayant pas été autorisée par le fabricant de votre tondeuse est dangereux et risque d'endommager votre tondeuse et d'annuler sa garantie.



### ENLEVER LA LAME (Voir Fig. 11)

- Débranchez le fil de bougie d'allumage et posez-le de telle façon qu'il ne puisse pas entrer en contact avec la bougie d'allumage.
- Mettez la tondeuse sur son côté. Assurez-vous que le filtre à air et le carburateur soient vers le haut.
- Utilisez un bloc de bois entre la lame et le boîtier de tondeuse pour empêcher la lame de tourner quand vous enlevez le boulon de lame.

### REMPLENER LA LAME (Voir Fig. 11)

- Posez l'adaptateur de lame sur le vilebrequin de moteur. Assurez-vous que la clé dans l'adaptateur et le logement de clavette dans le vilebrequin soient alignés.
- Posez la lame sur l'adaptateur de lame en alignant les deux (2) trous dans la lame avec les pattes dans l'adaptateur.
- Assurez-vous que le bord arrière de la lame (le bord tranchant opposé) soit vers le haut du moteur.

- Installez le boulon de lame avec la rondelle frein et la rondelle durcie dans l'adaptateur de lame et le vilebrequin.
- Utilisez un bloc de bois entre la lame et le boîtier de tondeuse et serrez le boulon de lame, en le tournant dans le sens des aiguilles d'une montre.
- Le couple de serrage recommandé est de 35-40 lb-pi. (47 à 54 N/m).

**IMPORTANT:** LE BOULON DE LAME EST TRAITÉ À LA CHALEUR. S'IL LE BOULON A BESOIN REMPLACER, REMPLACEZ SEULEMENT PAR LE BOULON APPROUVÉ MONTRÉ DANS LA SECTION DE PIÈCES DE RECHANGE DE CE MANUEL.

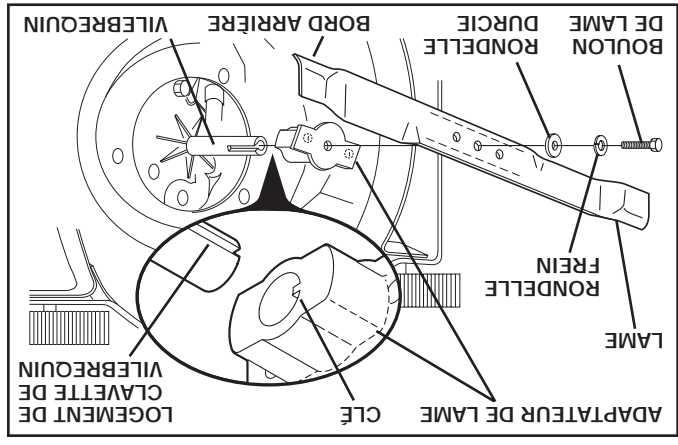


FIG. 11

### AFFILER LA LAME

**REMARQUE:** Nous ne recommandons pas que vous affiliez la lame - mais si vous faites ça, assurez-vous que la lame soit équilibrée.

Il est nécessaire de conserver la lame équilibrée. Une lame qui n'est pas équilibrée causera l'avarie éventuellement à la tondeuse à gazon ou au moteur.

La lame peut être affilée avec une lime ou une meule. N'essayez pas d'affiler la lame sans l'enlever de la tondeuse. Pour vérifier l'équilibre de la lame, enfoncez un clou dans une poutre ou un mur. Laissez environ un (1) pouce de clou droit exposé. Posez le trou central de la lame sur la tête du clou. Si la lame est équilibrée, elle devrait rester dans une position horizontale. Si un bout ou l'autre de la lame descend, la lame n'est pas équilibrée. Affiliez le bout lourd jusqu'à ce que la lame soit équilibrée.

### BOÎTE DE VITESSE

- Pour que votre système d'entraînement fonctionne correctement, la boîte de vitesse et la surface autour de l'entraînement doivent être conservés propre et sans débris. Nettoyez deux fois par saison sous le couvercle d'entraînement.
- La boîte de vitesse est remplie de lubrifiant jusqu'au niveau approprié à l'usine. Le lubrifiant doit être vérifié si l'entretien a été exécuté sur la boîte de vitesse.
- Si du lubrifiant est requis, utilisez exclusivement "Texaco Starplex Premium 1 Grease" (numéro de pièce - 750369). N'utilisez aucun autre lubrifiant.

### RAMASSE-HERBE

- Le ramasse-herbe peut être arrosé, mais il doit être sec avant de l'utiliser.
- Vérifiez souvent votre ramasse-herbe pour vous assurer qu'il n'est pas endommagé ou usé. Il s'utilisera sous une utilisation normale. Remplacez-le si nécessaire avec un ramasse-herbe approuvé montré dans la section de Pièces de Rechange de ce manuel. Donnez le numéro de modèle de la tondeuse à gazon lorsque vous commandez.

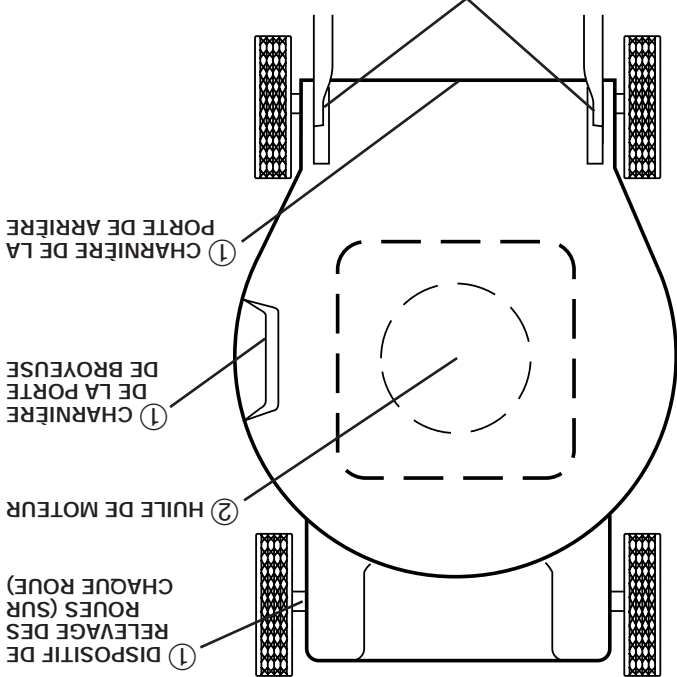
# ENTRETIEN

## GUIDE D'ENTRETIEN

	D'ENTRETIEN					ESSENTIEL				OPTION												
	AVANT CHAQUE UTILISATION	APRÈS CHAQUE UTILISATION	TOUTES LES 10 HEURES	TOUTES LES 25 HEURES OU SAISON	TOUTES LES 100 HEURES	AVANT L'ENTRE- POSSAGE	AVANT LES PNEUS	VÉRIFIER LES ROUES D'ENTRAÎNEMENT ***	NETTOYER LA TONDEUSE ****	NETTOYER SOUS LE COUVERCLE D'ENTRAÎNEMENT ***	VÉRIFIER LA COURROIE ET LES POULIES ***	VÉRIFIER / AIGUISEZ / REMPLACEZ LA LAME	TABLEAU DE LUBRIFICATION	NETTOYER / RECHARGEZ LA BATTERIE **	VÉRIFIER LE NIVEAU D'HUILE DE MOTEUR	REMPLACEZ L'HUILE DE MOTEUR	NETTOYER LE FILTRE À AIR	INSPECTEZ LE SILENCIEUX	REMPLACEZ LA BOUGIE D'ALLUMAGE	REMPLACEZ LA CARTOUCHE DU FILTRE À AIR	VIDER LE SYSTÈME DE CARBURANT OU AJOUTER DU STABILISANT	
✓	✓	✓	✓	✓	✓	✓	✓	✓	✓	✓	✓	✓	✓	✓	✓	✓	✓	✓	✓	✓	✓	✓
✓	✓	✓	✓	✓	✓	✓	✓	✓	✓	✓	✓	✓	✓	✓	✓	✓	✓	✓	✓	✓	✓	✓
✓	✓	✓	✓	✓	✓	✓	✓	✓	✓	✓	✓	✓	✓	✓	✓	✓	✓	✓	✓	✓	✓	✓
✓	✓	✓	✓	✓	✓	✓	✓	✓	✓	✓	✓	✓	✓	✓	✓	✓	✓	✓	✓	✓	✓	✓
✓	✓	✓	✓	✓	✓	✓	✓	✓	✓	✓	✓	✓	✓	✓	✓	✓	✓	✓	✓	✓	✓	✓
✓	✓	✓	✓	✓	✓	✓	✓	✓	✓	✓	✓	✓	✓	✓	✓	✓	✓	✓	✓	✓	✓	✓
✓	✓	✓	✓	✓	✓	✓	✓	✓	✓	✓	✓	✓	✓	✓	✓	✓	✓	✓	✓	✓	✓	✓

- 1 - Changez plus fréquemment quand le moteur est soumis à des efforts importants ou quand la température ambiante est élevée.
- 2 - Augmentez la fréquence des entretiens en cas d'utilisation dans un environnement poussiéreux et sale.
- 3 - Remplacez les lames plus souvent en cas d'utilisation sur un terrain sablonneux.
- 4 - Chargez pendant 48 heures à la fin de la saison.
- 5 - Ainsi qu'après chaque tranche de 5 heures de fonctionnement. Utilisez un grattoir pour nettoyer le dessous du châssis de la tondeuse \*\*\*\*

### TABLEAU DE LUBRIFICATION



- 1 LUBRIFIANT À VAPORISER
- 2 RÉFÉREZ-VOUS À "MOTEUR" DANS LA SECTION ENTRETIEN

### RECOMMANDATIONS GÉNÉRALES

- La garantie pour cette tondeuse à gazon ne couvre pas les éléments qui ont été sujets à un abus ou à des négligences de la part de l'opérateur. Pour conserver une garantie complète, l'utilisateur doit maintenir la tondeuse tel que précisé dans ce manuel.
- Quelques ajustements sont nécessaires périodiquement pour maintenir correctement votre machine. Tous les réglages dans la section de Révision et Réglages de ce manuel devraient être vérifiés au moins une fois par saison.
- Une fois par an, remplacez la bougie d'allumage, nettoyez ou remplacez le filtre à air, et vérifiez la lame pour les signes d'usure. Une nouvelle bougie d'allumage et un nouveau filtre d'air propre assure la présence d'un mélange air/essence correct et ainsi permet votre moteur de marcher mieux et de durer plus longtemps.
- Respectez les indications du Guide d'entretien de ce manuel.

### AVANT CHAQUE UTILISATION

1. Vérifiez le niveau d'huile de moteur.
2. Vérifiez l'intégrité des systèmes de fixation.

### LUBRIFICATION


IMPORTANT: NE METTEZ NI D'HUILE NI DE GRAISSE SUR LES PALIERS ANTIFRICTION DE PLASTIQUE DES ROUES. LES LUBRIFIANTS QUI ATTIRENT LA POUSSIÈRE ET LES SALETÉS DIMINUENT L'ESPÉRANCE DE DURABILITÉ DE CES PALIERS À LUBRIFICATION AUTOMATIQUE. SI VOUS PENSEZ QU'ILS DOIVENT ÊTRE LUBRIFIÉS, UTILISEZ SEULEMENT ET AVEC MODÉRATION UN LUBRIFIANT SEC, EN POUDDRE DE TYPE GRAPHITE.

Conservez votre machine bien lubrifiée (Voir le "TABLEAU DE LUBRIFICATION").



# UTILISATION

## CONSEILS DE TONDRE



**ATTENTION: N'utilisez pas d'accessoires amovibles pour découpeuses de chaînes sur votre tondeuse. Ils sont dangereux, et risquent d'abîmer votre tondeuse et annuler votre garantie.**

- Sous certaines conditions telles que le gazon très haut, élevez la hauteur de coupe pour réduire l'effort de pousser et pour éviter le surchauffage du moteur et pour ne pas laisser des paquets d'herbe coupée. Il pourrait être nécessaire que vous devriez réduire la vitesse de course et/ou marchez la tondeuse à gazon par-dessus la zone une deuxième fois.
- Pour une coupe extrêmement épaisse, réduisez la largeur de coupe en imbriquant l'allée auparavant coupée et tondez lentement.
- Pour la plupart des conditions de coupe et pour le meilleur ramassage, la vitesse de moteur devrait être réglée à la position RAPIDE.
- Les pores dans le linge du ramasse-herbe peuvent se remplir de la saleté et la pousser et il ramassera moins régulièrement le ramasse-herbe et laissez-le sécher avant de l'utiliser encore.
- Conservez propre le sommet du moteur autour du démarreur. Ceci aidera le courant d'air du moteur et étendra la durabilité.

## CONSEILS DE BROYER/TONDRE

- **IMPORTANT: POUR LE MEILLEUR RENDEMENT, MAINTENEZ LE BOTTIER DE TONDEUSE EXEMPT DE L'ACCUMULATION DE L'HERBE ET LES DÉBRIS. NETTOYEZ LE DESSOUS DU BOTTIER DE TONDEUSE APRÈS CHAQUE UTILISATION. VOYEZ LA SECTION DE "NETTOYAGE" DANS LA SECTION D'ENTRETIEN DE CE MANUEL.**
- La lame de broyuse spéciale recouvrera beaucoup de fois l'herbe coupée pour la faire plus petite. L'herbe coupée sera distribuée partout dans la pelouse. L'herbe coupée qui a été recoupée par le broyuse est biodégradable. Cette action donnera à la pelouse des substances nutritives. Pour le meilleur rendement des lames, la vitesse de moteur (lame) doit être maintenue à la position rapide.
- Ne tondez pas la pelouse quand l'herbe est mouillée. L'herbe mouillée formera les masses de l'herbe coupée qui généreront l'action de la broyuse. Le meilleur temps de tondre est au début de l'après-midi. La pelouse doit être sèche à cette heure et la zone coupée pas exposée à la lumière directe du soleil.
- Pour les meilleurs résultats, ajustez la hauteur de coupe de la tondeuse afin que la tondeuse coupe seulement le tiers du haut de l'herbe (Voir Fig. 10). Au cas où l'herbe est très haute, il sera nécessaire d'élever la hauteur de coupe pour réduire les efforts de propulsion, pour éviter de surchauffer le moteur et pour éviter l'agglutination et l'abandon de masses d'herbe coupée. Pour les conditions de broyer de l'herbe très difficiles, réduisez la largeur de coupe en imbriquant l'allée auparavant coupée et tondez lentement.

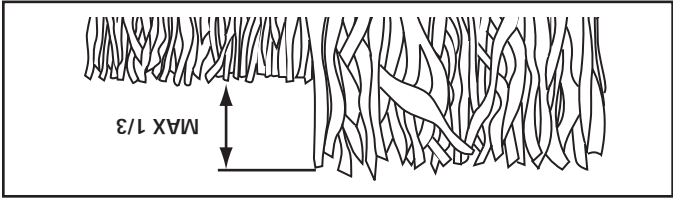


FIG. 10

- Certaines types d'herbe et les conditions d'herbe auront besoin qu'une zone soit broyer une deuxième fois pour cacher l'herbe coupée. Quand vous faites la deuxième coupe, tondez perpendiculaire à (ou en travers) la première coupe. Changez votre parcours de coupe de semaine à semaine. Tondez de nord à sud une semaine et la prochaine semaine d'est à ouest. Ceci évitera le paillis et la granulation de la pelouse.

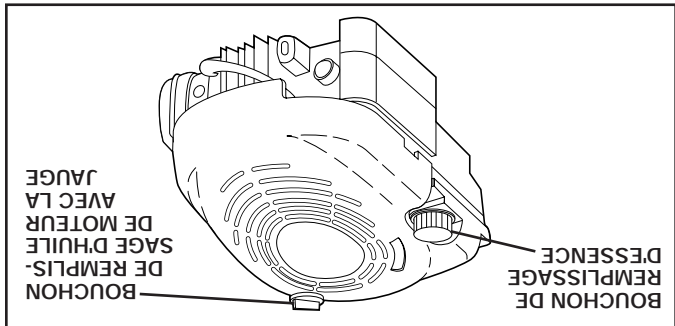


FIG. 9

## AJOUTEZ DE L'ESSENCE (Voir Fig. 9)

- Remplissez le réservoir d'essence jusqu'au fond du goulot de remplissage. N'en mettez pas trop. Utilisez de l'essence sans plomb, régulière, fraîche, et propre avec au moins 87 indice d'octane. Ne mélangez pas l'huile avec l'essence. Pour assurer que l'essence utilisée soit fraîche, achetez des contenants d'essence pouvant être utilisés en moins de 30 jours.
- ATTENTION: Remplissez le réservoir d'essence jusqu'au fond du goulot de remplissage. Essayez toujours l'huile ou l'essence renversée. Vous ne devez jamais emmagasiner, répandre ou utiliser de l'essence près d'une flamme nue.**
- Les carburants mélangés avec l'alcool (appelés gasohol ou utilisant l'éthanol ou le méthanol) peuvent attirer l'humidité qui cause la séparation et la formation d'acide pendant l'entreposage. Le gaz acide peut endommager le système d'essence d'un moteur pendant l'entreposage. Pour éviter les problèmes avec le moteur, le système d'essence doit être vidangé avant l'entreposage de 30 jours ou plus. Vidangez le réservoir d'essence, démarrez le moteur et laissez-le fonctionner jusqu'à ce que les carburant et le carburateur soient vides. Utilisez de l'essence fraîche la saison suivante. Reportez-vous aux instructions sur l'entreposage pour les autres renseignements. N'utilisez jamais de produits de nettoyage de moteur ou de carburateur dans le réservoir d'essence ou des dommages permanents pourraient être causés.**



## POUR ARRÊTER LE MOTEUR

- Pour arrêter le moteur, relâchez la barre de commande de présence d'opérateur.

## POUR DÉMARRER LE MOTEUR

- **REMARQUE:** En raison du revêtement de protection du moteur, une petite quantité de fumée est normale la première fois qu'on utilise le produit.
- **REMARQUE:** Votre moteur est équipé d'un système de bobine automatique. Aucun amorçage ou l'obstruction n'est exigé avant de commencer.
- Pour démarrer un moteur, serrez la barre de contrôle de présence de l'opérateur contre le guidon et tourner la clé du démarreur électrique dans le sens des aiguilles d'une montre.
- **IMPORTANT:** Ne tenez pas le démarreur enfoncé plus de cinq (5) secondes chaque fois que vous essayez de mettre en marche le moteur. Attendez de 5 à 10 secondes entre chaque essai.
- Pour démarrer le moteur en utilisant le câble de démarreur, tenez la barre de commande de présence d'opérateur contre le guidon et tirez rapidement sur la poignée de démarrage. Ne laissez pas le câble du démarreur revenir brusquement à sa position originale.

# UTILISATION

## ÉTAPES FACILES À SE RAPPELER EN CONVERTISSANT LA TONDEUSE À GAZON

- POUR LE BROYAGE -**
1. Le bouchon de broyeuse est installé.
  2. La porte de broyeuse est fermée et serrée à fond.
- POUR LE RAMASSAGE ARRIÈRE -**
1. Le bouchon de broyeuse est enlevé.
  2. Le ramasse-herbe est installé.
  3. La porte de broyeuse est fermée et serrée à fond.
- POUR LE DÉCHARGEMENT LATÉRAL -**
1. Le bouchon de broyeuse est installé.
  2. Le bouchon de broyeuse est installé.

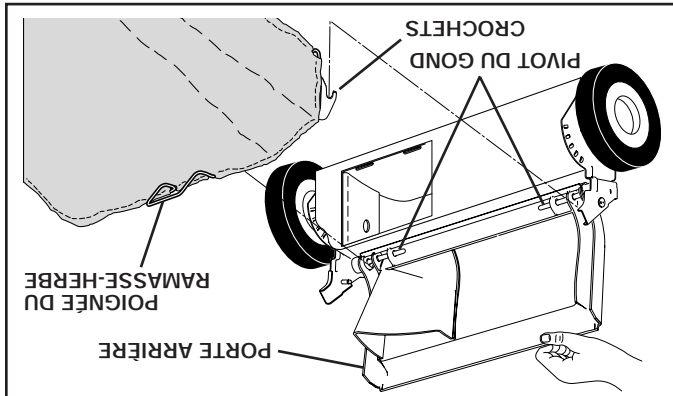


FIG. 6

DÉCHARGEMENT LATÉRAL (Voir Fig. 7)

- La porte arrière doit être fermée.
- Ouvrez la porte de la broyeuse et installez le déflecteur comme montré.
- La tondeuse est maintenant prête pour le déchargement.
- Pour convertir au broyage ou au ramassage, le déflecteur de décharge doit être enlevé et la porte de broyeuse doit être fermée.

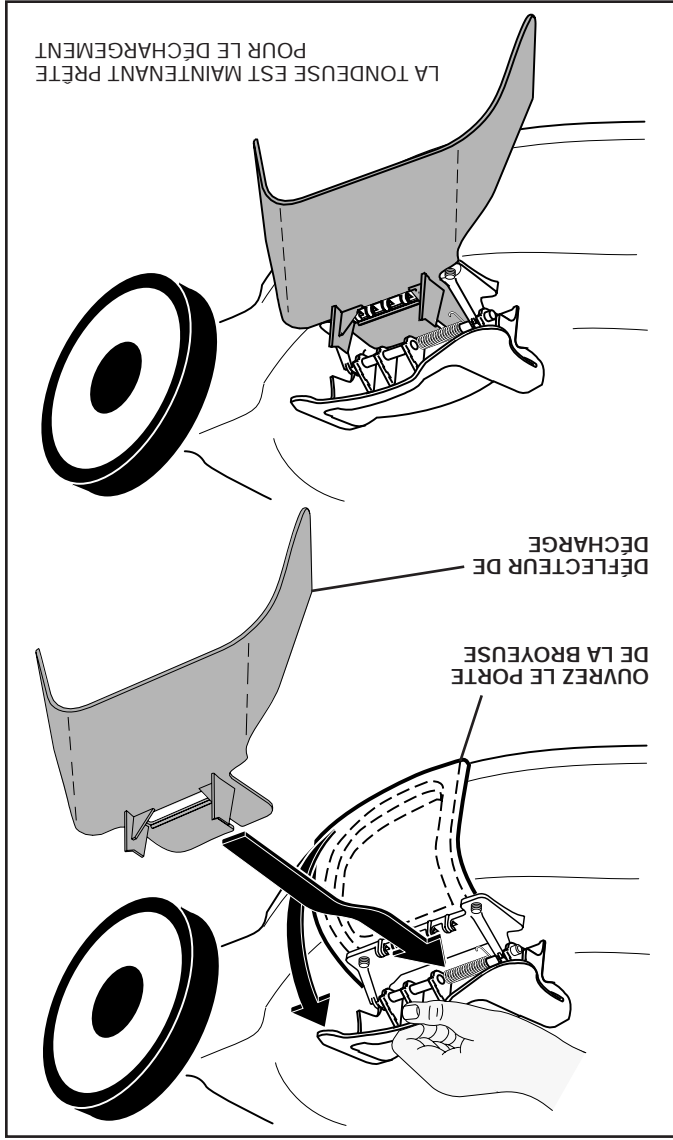
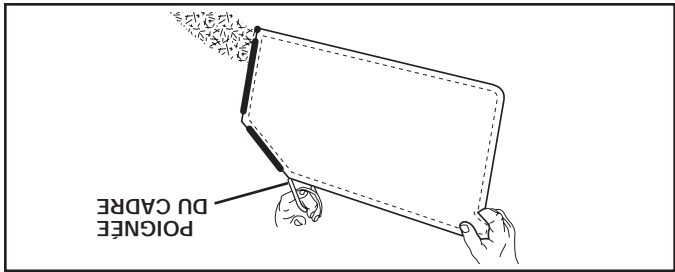


FIG. 7

7

## AVANT DE DÉMARRER LE MOTEUR AJOUTER DE L'HUILE (Voir Fig. 9)

FIG. 8



- POUR VIDER LE RAMASSE-HERBE (Voir Fig. 8)**
1. Soulevez le ramasse-herbe en utilisant la poignée de cadre.
  2. Enlevez le ramasse-herbe avec l'herbe coupée du dessous du guidon de tondeuse à gazon.
  3. Vider coupures avec le ramasse-herbe.
- REMARQUE:** Ne traînez pas le sac quand vous le videz. Ceci l'userait inutilement.

**ATTENTION:** N'utilisez pas votre tondeuse à gazon sans que le bouchon de la broyeuse ou le ramasse-herbe soient en place. Ne tentez jamais d'utiliser la tondeuse à gazon lorsque la porte arrière est enlevée ou ouverte.



**ATTENTION:** NE remplissez pas trop le moteur avec de l'huile, ou il fumera sur la mise en marche.

1. Assurez-vous que la tondeuse à gazon soit sur un terrain plat.
  2. Enlevez la jauge d'huile du goulot de remplissage d'huile.
  3. Le moteur peut contenir jusqu'à 20 onces (0,6 litre) d'huile. Pour le type et la catégorie d'huile à utiliser, voir "MOTEUR" dans la section d'entretien de ce manuel.
  4. Versez lentement l'huile. Ne remplissez pas trop. Attendez une minute pour permettre que l'huile se rassemble. Insérez et serrez la jauge d'entretien de ce manuel.
- IMPORTANT:**
- Vérifiez le niveau d'huile avant de chaque utilisation. Ajoutez de l'huile si c'est nécessaire. Remplissez jusqu'au niveau indiqué (FULL) sur la jauge d'huile.
  - Changez l'huile après chaque 25 heures d'utilisation ou après chaque saison. Il peut être nécessaire de changer l'huile plus souvent lorsqu'il y a beaucoup de poussière. Voir "CHANGER L'HUILE DE MOTEUR" dans la section d'entretien de ce manuel.

# UTILISATION



L'utilisation d'une tondeuse à gazon présente le risque de projection des particules dans les yeux qui peuvent causer des blessures sérieuses. Portez toujours des lunettes de sécurité ou une visière de protection sur votre tondeuse à gazon, ou de faire tout réparations et tout réglages. Nous recommandons une visière de sécurité panoramique pour ceux qui portent des verres correctives ou des lunettes de sécurité standard.

## COMMENT UTILISER VOTRE TONDEUSE À GAZON

### COMMANDE DE LA VITESSE DE MOTEUR

La vitesse du moteur a été réglée à l'usine pour un rendement maximum. La vitesse n'est pas réglable.

### CONTRÔLE DE LA ZONE DU MOTEUR

**ATTENTION:** Les règlements fédéraux requièrent que une commande de moteur soit installée sur la tondeuse à gazon afin de minimiser le risque de blessure à cause de contact avec la lame. N'essayez jamais de renverser la fonction de la commande d'opérateur. La lame tourne lorsque le moteur fonctionne.



- Votre tondeuse à gazon est munie d'une barre de commande de présence d'opérateur qui requiert que l'opérateur soit positionné derrière le guidon de tondeuse pour démarrer et utiliser la tondeuse à gazon.

### COMMANDE D'ENTRAÎNEMENT (VOIR FIG. 4A)

- Pour commander le déplacement automatique vous devez pousser vers le bas et vers la poignée la barre de commande indiquant la présence de l'opérateur et tirer le levier de commande vers le bas et vers la poignée. Plus le levier est tiré vers la poignée plus l'appareil circule rapidement.

- La marche avant s'arrête en lâchant la barre de commande indiquant la présence de l'opérateur ou le levier de commande. Pour arrêter la marche avant sans arrêter le moteur, lâchez uniquement le levier de commande de l'entraînement. Maintenez vers le bas, contre la poignée, la barre de commande indiquant la présence de l'opérateur pour continuer à tondre sans déplacement automatique.
- **REMARQUE:** Si après d'avoir relâché la barre de commande, la tondeuse à gazon ne roule pas vers l'arrière, poussez légèrement la tondeuse vers l'avant pour désengager les roues motrices. Pour que la commande d'entraînement reste engagée lorsque vous négociez les virages, poussez vers le bas la poignée pour soulever les roues avant et faites pivoter la tondeuse.

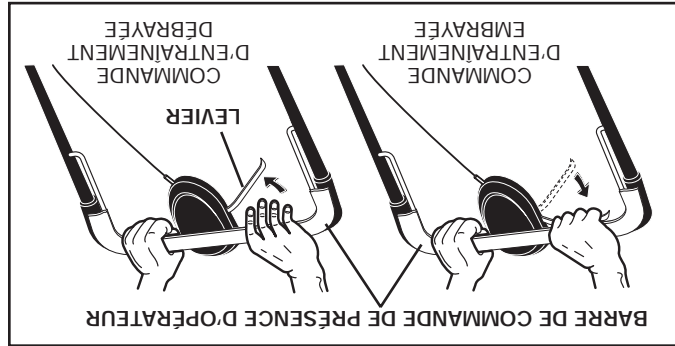


FIG. 4A

## RÉGLAGES DE LA COMMANDE D'ENTRAÎNEMENT (VOIR FIG. 4B)

Avec le temps, le système de commande de l'entraînement se "relâche" ce qui diminue la vitesse. Une toupillon, à l'arrière du carter de la commande de l'entraînement, permet de resserrer le câble. Procédez de la sorte:

6

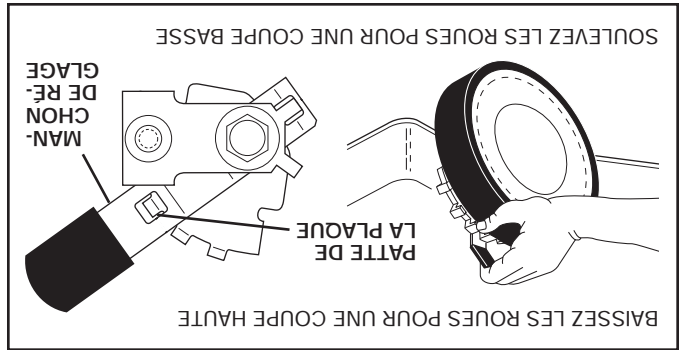
- Soulevez la porte arrière de la tondeuse et placez les crochets du cadre du ramasse-herbe sur les pivots de la porte.
- Pour convertir au broyage ou au déchargement, enlevez le ramasse-herbe et fermez la porte arrière.

### RAMASSAGE ARRIÈRE (VOIR FIG. 6)

de déchargement: Votre tondeuse à gazon a été expédiée prête à utiliser comme une tondeuse broyeuse. Pour la convertir au ramassage ou au

## POUR CONVERTIR LA TONDEUSE

FIG. 5



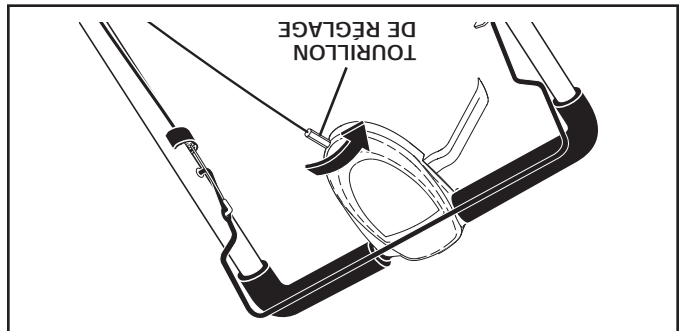
**REMARQUE:** Le dispositif est en position quand la patte de la plaque est dans le trou du levier. Les dispositifs à 9 positions (s'il y a lieu) permettent que le levier soit placé entre les pattes de la plaque.

- Pour changer la hauteur de coupe, pressez le levier de dispositif de réglage des roues vers la roue. Soulevez ou baissez les roues pour convertir à vos besoins. Assurez-vous que toutes les roues sont à la même hauteur.

Soulevez les roues pour une coupe basse et baissez-les pour vos besoins. La position moyenne est la meilleure pour la plupart des pelouses.

## POUR RÉGLER LA HAUTEUR DE COUPE (VOIR FIG. 5)

FIG. 4B



4. Si la situation ne s'améliore pas après cette opération (la marche avant ne change pas), vous devez remplacer la courroie d'entraînement de votre appareil.

1. Étiquez la tondeuse et débranchez la bougie de son câble.
2. Tournez l'écrou à l'arrière de la commande de l'entraînement pour l'épreuve la vitesse d'entraînement.
3. Mettez en marche la tondeuse pour mettre à l'épreuve la vitesse d'entraînement. Réglez au besoin.
4. Si la situation ne s'améliore pas après cette opération (la marche avant ne change pas), vous devez remplacer la courroie d'entraînement de votre appareil.

# UTILISATION

## CONNAISSEZ SUR VOTRE TONDEUSE À GAZON

LISEZ CE MANUEL DE PROPRIÉTAIRE ET LES RÈGLES DE SÉCURITÉ AVANT D'UTILISER VOTRE TONDEUSE À GAZON. Comparez les illustrations avec votre tondeuse à gazon afin de se mettre au courant des positions des différentes commandes et des différents réglages. Conservez ce manuel pour la référence d'avenir.

Ces symboles peuvent se montrer sur votre motovineuse à gazon ou dans les publications fournies avec le produit. Apprenez et comprenez la signification des symboles.



ATTENTION OU DÉMARRER LE MOTEUR  
 COUPER RAPIDE  
 COUPER LENT  
 STARTER  
 ESSENCE  
 HUILE  
 DANGER, GARDEZ LES MAINS ET PIEDS LOIN

BARRE DE COMMANDE DE PRÉ-SENCE D'OPÉRATEUR

LEVIER DE LA COMMANDE D'ENTRAÎNEMENT

BOUTON DE GUIDON

BOUCHON D'HUILE DE MOTEUR AVEC LA JAUGE DE NIVEAU

SILENCIEUX

COUVERCLE DE LA COURROIE D'ENTRAÎNEMENT

DISPOSITIF DE RÉGLAGE DES ROUES (SUR CHAQUE ROUE)

POIGNÉE DE DÉMARRER AUXILIAIRE

INTERRUPTEUR DE DÉMARRAGE À CLÉ

RAMASSE-HERBE

BOUCHON DE REM-PLISSAGE D'ES-SENCE

FILTRE À AIR

PORTE DE BROYEUSE

BOUGIE D'ALLUMAGE

BOTIER

**IMPORTANT:** Cette tondeuse à gazon est fournie avec moteur SANS HUILE OU ESSENCE.

## RENCONTRER LES EXIGENCES DES NORMES DE SÉCURITÉ CPSC

Les tondeuses à gazon rotatives tractées qui se poussent par l'arrière conformément aux normes de sécurité d'American National Standards Institute et de U.S. Consumer Product Safety Commission. La lame tourne lorsque le moteur fonctionne.

**POIGNÉE DE DÉMARRER AUXILIAIRE** - est utilisée pour démarrer le moteur.

**PORTE DE BROYEUSE** - permet de la conversion de l'utilisation de ramassage ou de déchargement.

**INTERRUPTEUR DE DÉMARRAGE À CLÉ** - est utilisé pour démarrer le moteur.

**BARRE DE COMMANDE DE PRÉSENCE D'OPÉRATEUR** - doit être tenue contre le guidon pour démarrer le moteur. Relâchez pour arrêter le moteur.

**LEVIER DE LA COMMANDE D'ENTRAÎNEMENT** - est utilisé pour engager le mouvement de traction avant de la tondeuse à gazon.

# MONTAGE

Lisez complètement ces instructions et ce manuel dans sa totalité avant de tenter de monter ou d'utiliser votre nouvelle tondeuse à gazon. **IMPORTANT: CETTE TONDEUSE À GAZON EST FOURNIE AVEC MOTEUR SANS HUILE OU ESSENCE.** Toutes les pièces comme les écrous, les rondelles, les boulons, etc. qui sont nécessaires à compléter le montage ont été mises dans le sac des pièces. Pour assurer l'utilisation correcte et sûre de votre tondeuse, toutes les pièces et la visserie que vous montez doivent être serrées à fond. Utilisez les outils corrects pour assurer le serrage exact.

## POUR ENLEVER LA TONDEUSE À GAZON DU CARTON

1. Enlevez toutes les pièces détachées du carton.
2. Coupez les deux coins au bout du carton et dépliez-les.
3. Enlevez tous les matériaux d'emballage à l'exception du rembourrage entre le guidon supérieur et le guidon inférieur et le rembourrage qui maintiennent la barre de commande de présence d'opérateur contre le guidon supérieur.
4. Roulez la tondeuse à gazon du carton et examinez le carton pour les pièces détachées.

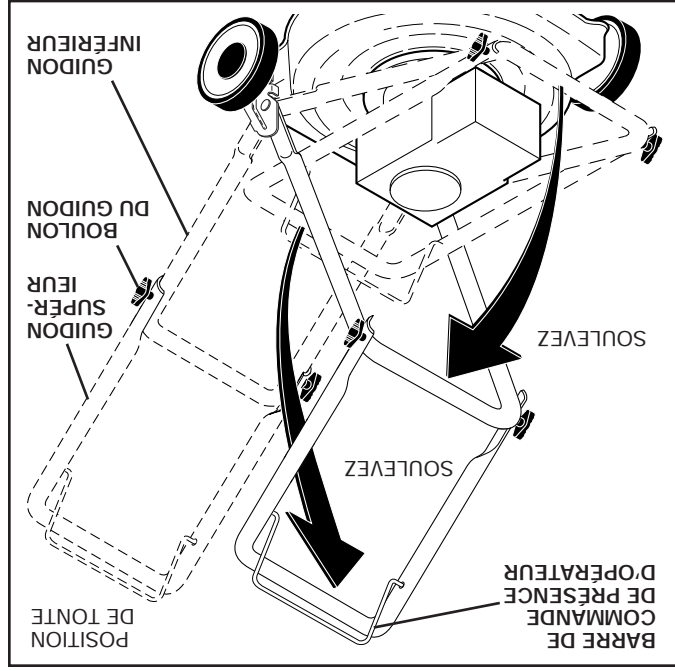
## COMMENT MONTER VOTRE TONDEUSE À GAZON

### POUR DÉPLIER LE GUIDON (Voir Fig. 1)

**IMPORTANT: DÉPLIEZ SOIGNEUSEMENT LES GUIDONS POUR NE PAS PINCER OU AVARIER LES CABLES DE COMMANDE.**

1. Soulevez les guidons jusqu'à ce que le guidon inférieur se bloque dans la position d'utilisation.
2. Enlevez le rembourrage protecteur, soulevez le guidon supérieur à la position d'utilisation et serrez à fond les deux boutons de guidon.
3. Enlevez les matières de rembourrage qui maintiennent la barre de commande de présence d'opérateur contre le guidon supérieur.

Le guidon de votre tondeuse à gazon peut être réglé pour votre confort. Référez-vous à la section de "POUR RÉGLER LE GUIDON" dans la section de Révision et Réglages de ce manuel.



### POUR MONTER LE RAMASSE-HERBE

#### (Voir Fig. 2)

1. Mettez le cadre du ramasse-herbe dans le sac de décharge avec la partie rigide du sac sur le fond. Assurez-vous que la poignée de cadre soit au dehors du haut du sac.
2. Glissez les étriers de pression de vinyle par-dessus du cadre.

FIG. 1

**REMARQUE:** Si les étriers sont trop rigides, mettez-les dans de l'eau chaude pendant quelques minutes. Si le sac de décharge devient mouillé, laissez-le sécher avant de l'utiliser.

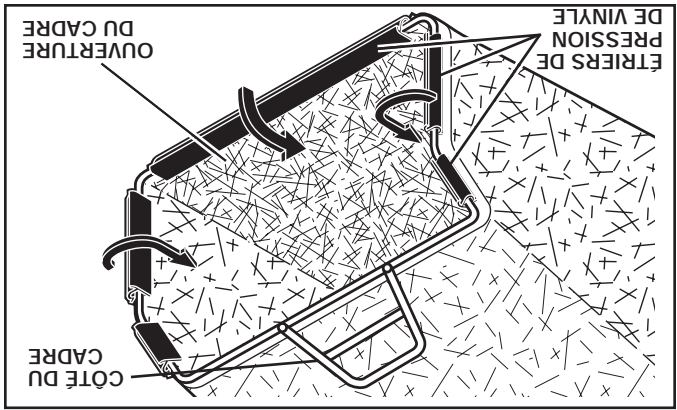


FIG. 2  
INSTALLER LES ACCESSOIRES

Votre tondeuse à gazon a été expédiée prête à utiliser comme une tondeuse broyeurse. Pour la convertir au ramassage ou au déchargement, voir "POUR CONVERTIR LA TONDEUSE" dans la section d'utilisation de ce manuel.

### POUR PRÉPARER LA BATTERIE (Voir Fig. 3)

**REMARQUE:** Votre batterie doit être chargée avant de démarrer la tondeuse.

1. Branchez le connecteur de chargeur de batterie (mâle) au connecteur de harnais (femelle).
2. Branchez le chargeur de batterie dans une prise de courant C.A. 110 volts.
3. Laissez le chargeur de batterie branché pendant 24 heures avant de démarrer le moteur pour la première fois.
4. Après avoir chargé la batterie, débranchez le connecteur de harnais (femelle) au connecteur de chargeur de batterie (mâle). Branchez votre chargeur de batterie pour charger la batterie après chaque utilisation.

**IMPORTANT:** LA MOTEUR NE CHARGERAS PAS UNE BATTERIE. À LA FIN DE LA SAISON DE TONTE, LA BATTERIE DOIT ÊTRE CHARGÉE PENDANT 48 HEURES POUR LA PROTÉGER PENDANT L'ENTREPOSAGE D'HIVER.



**ATTENTION:** Débranchez toujours le connecteur du moteur (mâle) du connecteur de la batterie (femelle) pour empêcher le démarrage de la tondeuse par accident pendant le transport ou l'entreposage de votre tondeuse à gazon après la saison de tonte.

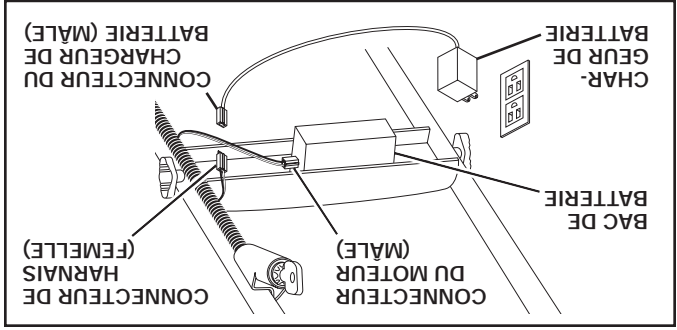


FIG. 3

2-3	RÈGLES DE SÉCURITÉ
3	SPÉCIFICATIONS DU PRODUIT
3	RESPONSABILITÉS DU CLIENT
4	ASSEMBLAGE
5-8	UTILISATION
9	GUIDE D'ENTRETIEN

NUMÉRO DE SÉRIE: \_\_\_\_\_  
 DATE D'ACHAT: \_\_\_\_\_  
 LES NUMÉROS DE SÉRIE ET DE MODÈLE SERONT SITUÉS SUR LA DÉCALCOMANIE COLÉE SUR L'ARRIÈRE DU BOITIER DE TONDEUSE.  
 VOUS DEVIÉZ NOTER CES NUMÉROS-CI ET LA DATE D'ACHAT. CONSERVEZ-LES POUR LA RÉFÉRENCE D'AVENIR.

**FÉLICITATIONS** pour votre achat d'une tondeuse à gazon. Elle a été conçue, perfectionnée, et fabriquée pour assurer le bon fonctionnement et la sûreté maximum.  
 En cas d'un problème que vous ne pouvez pas résoudre, contactez les techniciens qualifiés et les outils appropriés pour l'entretien et la réparation de cette machine.  
 Veuillez lire et conserver ce manuel. Les instructions qu'il contient vous permettront de monter, et d'entretenir correctement votre tondeuse à gazon. Observez toujours les "RÈGLES DE SÉCURITÉ".

# SOMMAIRE

9-11	ENTRETIEN
12-13	RÉVISIONS ET RÉGLAGES
13-14	ENTREPOSAGE
15	GUIDE DE DÉPANNAGE
16-19	PIÈCES DE RÉCHANGE
20	GARANTIE

- Lisez et faites attention aux règles de sécurité.
- Suivez un programme habituel d'entretien, de soin, et d'utilisation de la tondeuse à gazon.
- Suivez les instructions dans les sections d'entretien et d'entreposage de ce manuel de propriétaire.

## RESPONSABILITÉS DU CLIENT

Capacité et le Type d'essence:	1,6 Quarts de Gallon (1,8 Litre) L'essence sans Plomb Normale
Type d'huile:	SAE 30 (supérieure à 32°F / 0°C); (API SG-SL) SAE 5W-30 (inférieure à 32°F / 0°C)
Capacité d'huile:	20 Onces (0,57 Litre)
Bougie d'allumage:	Champion J19LM ou RJ19LM (Écart: 0,030 po / 0,762 mm)
Couple de rotation au boulon de lame:	35-40 ft.-lbs. (47-54 N-m)

## SPÉCIFICATIONS DE PRODUIT

**AVERTISSEMENT:** Ce tondeuse à gazon est équipée d'un moteur à combustion interne et il ne doit pas être utilisé sur ou près d'un terrain couvert d'arbres, d'arbrisseaux, ou d'herbe si le système d'échappement n'est pas muni d'un pare-étincelles qui rencontre les exigences des lois locales applicables. Quand un pare-étincelles est utilisé, il doit être maintenu en bon état de fonctionnement par l'opérateur. Un pare-étincelles pour le silencieux est disponible au centre d'entretien autorisé le plus proche.

- Débranchez le fil de la bougie et éloignez-le de la bougie pour éviter les démarrages accidentels
- Les boulons et les écrous, et surtout les boulons qui servent à fixer la lame, doivent être toujours correctement serrés. Conservez la machine en bon état.
- N'allérez jamais le fonctionnement normal des dispositifs de sécurité. Vérifiez régulièrement leur bon fonctionnement.
- Évitez que des herbes, des feuilles, ou des débris en tout genre ne s'accumulent sur votre machine. Nettoyez les éclaboussures d'huile ou d'essence. Laissez refroidir la machine avant de l'entreposer.
- Dans le cas où vous heurtez un objet, arrêtez la machine et vérifiez l'absence de dégâts. Avant de redémarrer, réparez si nécessaire les dégâts.
- Essayez jamais de régler la hauteur de la roue lorsque le moteur est en marche.
- Les éléments du bac de ramassage s'usent et peuvent s'abîmer et se détériorer, risquant ainsi de projeter les parties en mouvement ou des objets. Contrôlez fréquemment ces éléments et remplacez-les, en cas de besoin, par des pièces de rechange conseillées par le fabricant.
- Les lames de la tondeuse sont affûtées et peuvent couper. Enveloppez les lames ou portez des gants et faites très attention lors des opérations d'entretien sur les lames. Ne changez pas le réglage du limiteur de régime et évitez tout surtension du moteur.
- Nettoyez ou remplacez au besoin les étiquettes d'information.

## V. ENTRETIEN GÉNÉRALE

- N'enlevez jamais le bouchon et n'ajoutez jamais de carburant lorsque le moteur est en marche. Laissez le moteur refroidir avant de le remplir.
- Ne remplissez jamais le réservoir à l'intérieur.
- Ne rangez jamais ni l'appareil ni le bidon dans un endroit où se trouve une flamme nue, des étincelles ou une flamme pilote (chauffe-eau ou autres appareils).
- Ne remplissez jamais les bidons dans une voiture, un camion ou une remorque revêtu de plastique. Placez toujours les bidons sur le sol et à l'écart de votre véhicule avant le remplissage.
- Sortez l'appareil à essence du camion ou de la remorque et remplissez-le au sol. Si cela n'est pas possible, remplissez-le avec un bidon portable plutôt qu'avec un distributeur à pistolet.
- Laissez la buse au contact du bord de l'orifice du réservoir d'essence ou du bidon pendant toute la durée du remplissage. N'utilisez pas de dispositif dont le pistolet se verrouille en ouverture.
- Si vous versez du carburant sur vos vêtements, changez-vous immédiatement.
- Ne remplissez jamais trop le réservoir. Remettez le bouchon en place et serrez bien.
- Ne faites jamais marcher la tondeuse à l'intérieur d'un espace clos.
- Ne faites ni réglage ni réparation avec le moteur en marche.

**IMPORTANT: CETTE MACHINE COUPANTE EST CAPABLE D'AMPUTER LES MAINS, LES PIEDS ET DE PROJETER DES OBJETS. L'OBSERVATION DES RÈGLES DE SÉCURITÉ SUIVANTES PUEUT ÊTRE LA CAUSE DES BLESSURES SÉRIEUSES ET ÉVENTUELLEMENT MORTELLES.**



# RÈGLES DE SÉCURITÉ

Conseils pour l'utilisation en toute sécurité des tondeuses



Ce symbole signale les points importants en matière de sécurité. Il signifie - ATTENTION !!!, SOYEZ PRUDENT !!! EST EN JEU.



ATTENTION: Débranchez toujours le fil de bougie d'allumage et pour prévenir les démarrages accidentels, posez-le de telle façon qu'il ne puisse pas entrer en contact avec la bougie d'allumage lors de l'installation, du transport, des ajustements ou des réparations.



ATTENTION: Les gaz d'échappement contiennent ou émettent des produits chimiques reconnus dangereux par l'État de la Californie, parce que cancérigènes ou tératogènes ou responsables d'autres troubles de la reproduction.



ATTENTION: Les bornes des batteries, ainsi que toutes les bornes et leurs accessoires contenant du plomb, des dérivés du plomb ou des produits chimiques à base de plomb, sont reconnus dangereux par l'État de la Californie, parce que cancérigènes, ou tératogènes ou responsables d'autres troubles de la reproduction. Lavez-vous soigneusement les mains après les avoir touchés.



ATTENTION: Le silencieux et d'autres pièces de moteur deviennent extrêmement chauds lors du fonctionnement et restent chauds après que le moteur se soit arrêté. Pour éviter des brûlures graves, restez loin de ces zones.



## I. FONCTIONNEMENT GÉNÉRAL

- Il est impératif, avant de démarrer la machine, de lire et de comprendre toutes les instructions présentes dans le manuel d'utilisation et sur la machine. Bien connaître les commandes et l'utilisation de la machine avant la démarrage.
- Ne mettez pas les mains ou les pieds près ou au-dessous des parties rotatives. Restez loin de l'ouverture de la décharge à tout temps.
- Seuls des adultes dignes de confiance connaissant les instructions doivent être autorisés à utiliser la machine.
- Débrassez l'aire de tonte des objets tels que les pierres, objets peuvent être soulevés et projetés par la lame.
- Assurez-vous qu'il n'y a personne, en particulier ni animaux domestiques ni enfants, dans l'aire de tonte avant de commencer à tondre. Arrêtez la machine si quelqu'un s'introduit dans l'aire de tonte.
- N'utilisez pas la machine avec les pieds nus ou en portant des sandales ouvertes. Portez toujours des chaussures adéquates.
- Ne faites pas reculer la machine à moins d'y être contraint. Regardez toujours par terre et derrière vous avant de reculer.
- Ne dirigez jamais l'évacuation du matériau vers les personnes. Evitez de diriger l'évacuation du matériau vers un mur ou un obstacle. Le matériau évacué risque de rebondir en arrière vers l'opérateur. Arrêtez les lames lorsque vous passez sur du gravillon.

2

- N'utilisez jamais la machine si les protections, les plateaux et les autres dispositifs de sécurité ne sont pas en place.
- Consultez les instructions du producteur pour connaître le mode correct de fonctionnement et d'installation des accessoires. N'utilisez que les accessoires conseillés par le producteur.
- Arrêtez les lames lorsque vous traversez des allées gravillonnées, des trottoirs ou des rues.
- Arrêtez le moteur si vous devez laisser la machine, avant de la nettoyer, de la réparer ou de l'inspecter.
- Arrêtez le moteur et attendez que les lames s'arrêtent complètement avant d'enlever le bac de ramassage.
- Tondez uniquement avec la lumière du jour ou avec une bonne lumière artificielle.
- N'utilisez pas la machine si vous êtes sous l'influence de l'alcool ou des drogues.
- N'utilisez jamais la machine sur de l'herbe humide. Marchez d'un pas sûr: saisissez bien la poignée et marchez; ne courez jamais.
- Désengagez le mécanisme automatique ou l'embrayage de la transmission des tondeuses qui en possèdent un avant de démarrer le moteur.
- Si la machine commence à vibrer de façon anormale, arrêtez le moteur et cherchez immédiatement la cause. Les vibrations sont en général un signal d'alarme.
- Portez toujours des lunettes de protection avec des déflecteurs lorsque vous utilisez la machine.

## II. FONCTIONNEMENT DANS LES PENTES

- Les pentes sont souvent à l'origine de glissements ou de chutes pouvant causer de graves blessures. Faites très attention au cas de pentes. Si vous ne vous y sentez pas en sécurité sur les pentes, ne tondez pas.
- **FAITES:** Tondez parallèlement à la pente, jamais en montée ou en descente. Faites très attention lorsque vous changez de direction.
- Enlevez les obstacles tels que les pierres, les branches les arbres, etc.
- Faites attention aux trous, aux ornières et aux irrégularités du terrain. L'herbe haute peut cacher des obstacles.
- **NE FAITES PAS:** Ne tondez pas près des douves, des fossés ou des remblais. Vous pourriez perdre l'équilibre ou trébucher.
- Ne tondez pas de pentes trop rapides.
- Ne tondez pas l'herbe humide. Vous pourriez glisser.

## III. ENFANTS

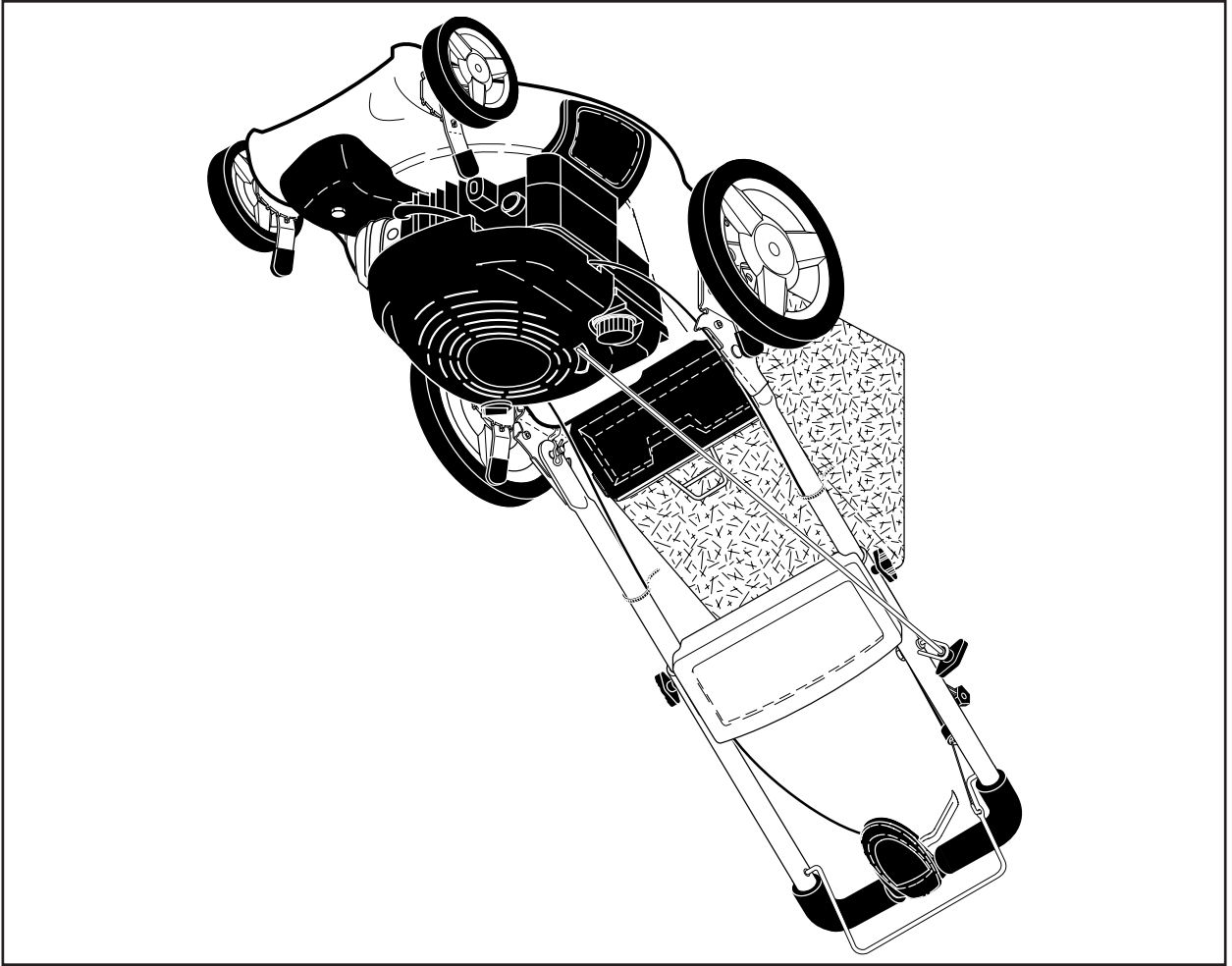
- Des accidents dramatiques peuvent survenir si l'utilisateur ne fait pas attention à la présence des enfants. Les enfants sont fréquemment attirés par la machine et par la tonte de la pelouse. Ne croyez jamais que les enfants restent à l'endroit où vous les avez vu en dernier.
- Tenez les enfants en dehors de l'aire de tonte sous la surveillance d'un adulte digne de confiance.
- Soyez vigilant et arrêtez la machine si un enfant pénètre dans l'aire de tonte.
- Avant de reculer et lorsque vous reculez regardez toujours vers le bas et derrière s'il y a des enfants en bas âge.
- N'autorisez jamais les enfants à utiliser la machine.
- Soyez particulièrement prudent lorsque vous approchez des angles morts, des buissons, des arbres ou de tout objet pouvant boucher la vision normale.

## IV. MANIPULATION SÛRE DU CARBURANT

- Manipulez le carburant avec beaucoup de précaution, car il est très inflammable et ses vapeurs sont explosives.
- Éteignez les cigarettes, cigares, pipes et autre sources d'incendie.
- N'utilisez qu'un bidon homologué.

Manuel du Propriétaire

# 67521ES



**Husqvarna**