

**HUSQVARNA AUTOMOWER™
SOLAR HYBRID
OPERATOR'S MANUAL**

TABLE OF CONTENTS

1. Introduction and safety	5
1.1 Introduction	5
1.2 Symbols on Automower™	6
1.3 Symbols in the Operator's Manual	7
1.4 Safety instructions	8
2. Presentation	10
2.1 Automower™, what's what?	11
2.2 Function of Automower™	12
2.3 Search method	15
2.4 More than one Automower™ in a garden	16
2.5 One Automower™ in several gardens	16
3. Installation	17
3.1 Preparations	17
3.2 Installation of the charging station	18
3.3 Charging the battery	21
3.4 Installation of the boundary wire	21
3.5 Connecting the boundary wire	29
3.6 Checking the installation	31
3.7 Linking Automower™ to the charging station	31
3.8 Installation of the guide wire	32
4. Use	37
4.1 Charging a discharged battery	37
4.2 Using the timer	38
4.3 Starting Automower™	38
4.4 Stopping Automower™	38
4.5 Restart	39
4.6 Switching off Automower™	39
4.7 Adjusting the cutting height	40
5. Control panel	41
5.1 Shortcuts	42
5.2 Programs	43
5.3 Select	43
5.4 Numbers	44
5.5 Main switch	44
6. Menu functions	45
6.1 Main menu	45
6.2 Automower™ main menu, menu overview	46
6.3 Commands (1)	47
6.4 Timer (2)	47
6.5 Garden (3)	49
6.6 Settings (4)	58
7. Garden example	63
8. Maintenance	68
8.1 Battery	68
8.2 Winter storage	69
8.3 Service	69
8.4 After winter storage	69
8.5 Cleaning	70
8.6 Replacing the blades	71
9. Trouble shooting	73
9.1 Fault messages	73
9.2 Fault symptom	75
10. Technical data	76
11. Environmental information	77
12. Index	79

TABLE OF CONTENTS

Husqvarna AB has a policy of continuous product development and therefore reserves the right to modify the design and appearance and function of products without prior notice. This Operator's Manual deals with version 2.5x of the mower's control program.

1. Introduction and safety

1.1 Introduction

Congratulations on your choice of an exceptionally high quality product. To get the best results from your Husqvarna Automower™ requires knowledge of its function. This Operator's manual contains important information about the mower, how you install it and how you use it.

The following system is used in the Operator's manual to make this easier:

- Text written in *italics* is a text that is shown on the mower's display or is a reference to another section of the Operator's manual.
- Words written in **bold** are one of the buttons on the mower's keypad.
- Words written in *UPPERCASE* and *italics* refer to the position of the main switch and the different operating modes on the mower.

IMPORTANT INFORMATION

Read through the Operator's Manual carefully and understand the content before using your Automower.



1001-003



WARNING

Automower can be dangerous if incorrectly used.

1. INTRODUCTION AND SAFETY

1.2 Symbols on Automower™

These symbols can be found on the lawn mower. Study them carefully so you understand their significance.

- Read through the Operator's Manual carefully and understand the content before using your Automower.



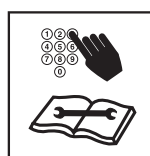
1001-003

- The warnings and safety instructions in this Operator's Manual must be carefully followed if the mower is to be used safely and efficiently.



1001-002

- Automower can only start when the main switch is moved to the *ON* position and the correct PIN code has been entered. Inspection and/or maintenance must be carried out with the main switch set to *OFF*.



3012-664

- Keep your hands and feet away from the rotating blades. Never place your hands or feet close to or under the body when Automower is in operation.



3012-733
3012-663

- Do not ride on Automower.



3012-665

- This product conforms to the applicable EU Directives.



6001-024

- This product must be left at an appropriate recycling station.



3012-689

1. INTRODUCTION AND SAFETY

1.3 Symbols in the Operator's Manual

These symbols can be found in the Operator's Manual. Study them carefully so you understand their significance.

- Inspection and/or maintenance must be carried out with the main switch set to *OFF*.



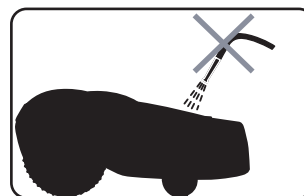
3012-288

- Always wear protective gloves when working with the mower's underframe.



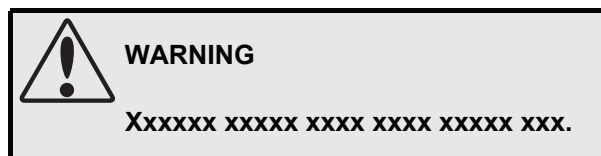
3012-272

- Never use a high-pressure washer or even running water to clean Automower.

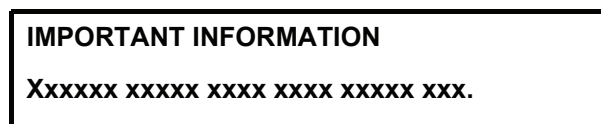


3012-271

- A warning box indicates a risk of personal injury exist, especially when the stated instructions are not followed.



- An information box indicates a risk of material damage exist, especially when the stated instructions are not followed. The box is also used where there is a risk of user error.



1. INTRODUCTION AND SAFETY

1.4 Safety instructions

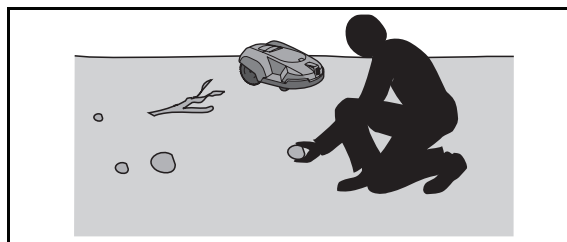
Use

- Please read the Operator's Manual carefully and make sure you understand the instructions before using Automower.



1001-003

- It is not permitted to modify the original design of Automower. All modifications are made at your own risk.
- Check that there are no stones, branches, tools, toys or other objects on the lawn that can damage the blades and cause the mower to stop.



3012-396

- Start Automower according to the instructions.

When the main switch is in the *ON* position; make sure you keep your hands and feet away from the rotating blades. Never put your hands and feet under the mower.



3012-663

- Never lift up Automower or carry it around when it is running.
- Do not let persons who do not know how Automower works and behaves use the mower.
- Never use Automower if persons, especially children, or pets, are in the immediate vicinity.
- Do not put anything on top of Automower or its charging station.
- Do not allow Automower to be used with a defective blade disc or body. Neither should it be used with defective blades, screws, nuts or cables.
- Do not use Automower if the main switch does not work.
- Always switch off Automower using the main switch when you do not intend to use the mower. Automower can only start when the main switch is moved to the *ON* position and the correct PIN code has been entered.
- Automower must never be used at the same time as a sprinkler. In this case use the timer function, see 6.4 *Timer (2)* on page 47, so the mower and sprinkler never run simultaneously.

1. INTRODUCTION AND SAFETY

Transport

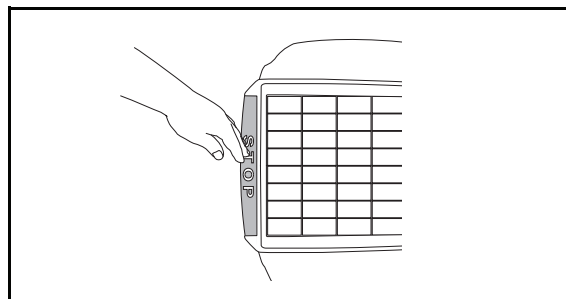
The original packaging should be used when transporting Automower over long distances.

To safely move from or within the working area:

1. Press the **STOP** button to stop the mower.

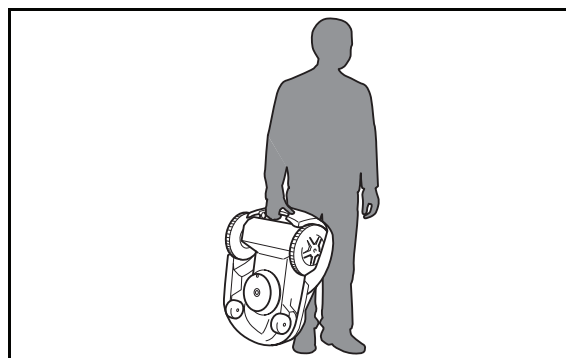
If the stop protection, (see page 59) used to prevent theft, has been activated, open the solar cell panel using the cut-out on the back edge of the panel and enter the first number of the PIN code.

You select the four digit PIN code when you start the mower for the first time, see page 31.




3012-814

2. Move the main switch to the *OFF* position if you intend to carry the mower.
3. Carry the mower by the handle at the rear under the mower. Carry the mower with the blade disc away from the body.



3012-395

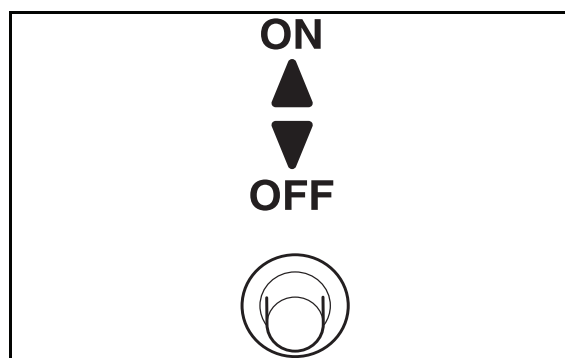
Maintenance



WARNING

When the mower is turned upside down the main switch must always be set to the *OFF* position.

The main switch should be set to the *OFF* position during all work on the mower's underframe, such as cleaning or replacing the blades.



3012-409

- Inspect Automower each week and replace any damaged or worn parts.

Check especially that the blades and blade disc are not damaged. Replace all blades and screws at the same time if necessary so that the rotating parts are balanced, see *8. Maintenance* on page 68.

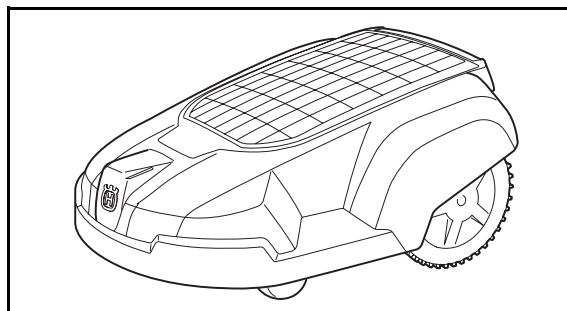
2. PRESENTATION

2. Presentation

This chapter contains information you should be aware of when planning the installation.

An installation of Husqvarna Automower™ includes four main components:

Automower, an automatic lawn mower that mows the lawn by moving in essentially an irregular pattern. The mower is powered by solar energy in combination with a maintenance free battery.

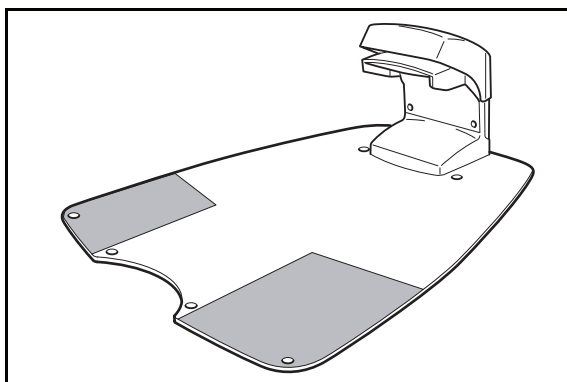


3012-815

Charging station, where your Automower returns when the charge level in the battery becomes too low.

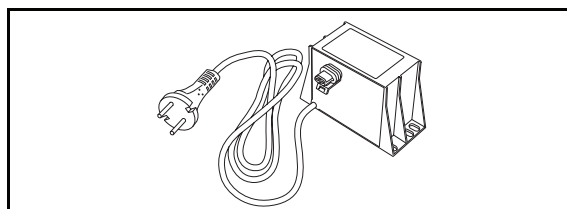
The charging station has three functions:

- To send control signals along the boundary wire.
- To send out signals so Automower finds the charging station.
- To charge Automower battery.



3012-509

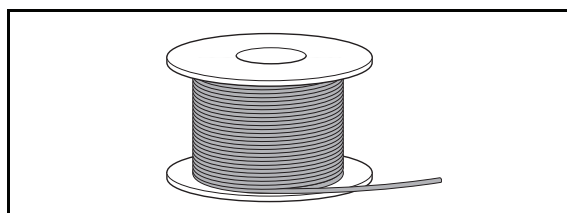
Transformer, which is connected between the charging station and a 120V wall socket. The transformer is connected to the wall socket via an integrated power cord and to the charging station via a 66 ft long low voltage cable. The low voltage cable must not be extended.



3012-220

Wire, laid in a loop around Automower's working area. The boundary wire is laid around the edges of the lawn and around objects and plants that the mower must not run into. The wire is also used for any guide wires.

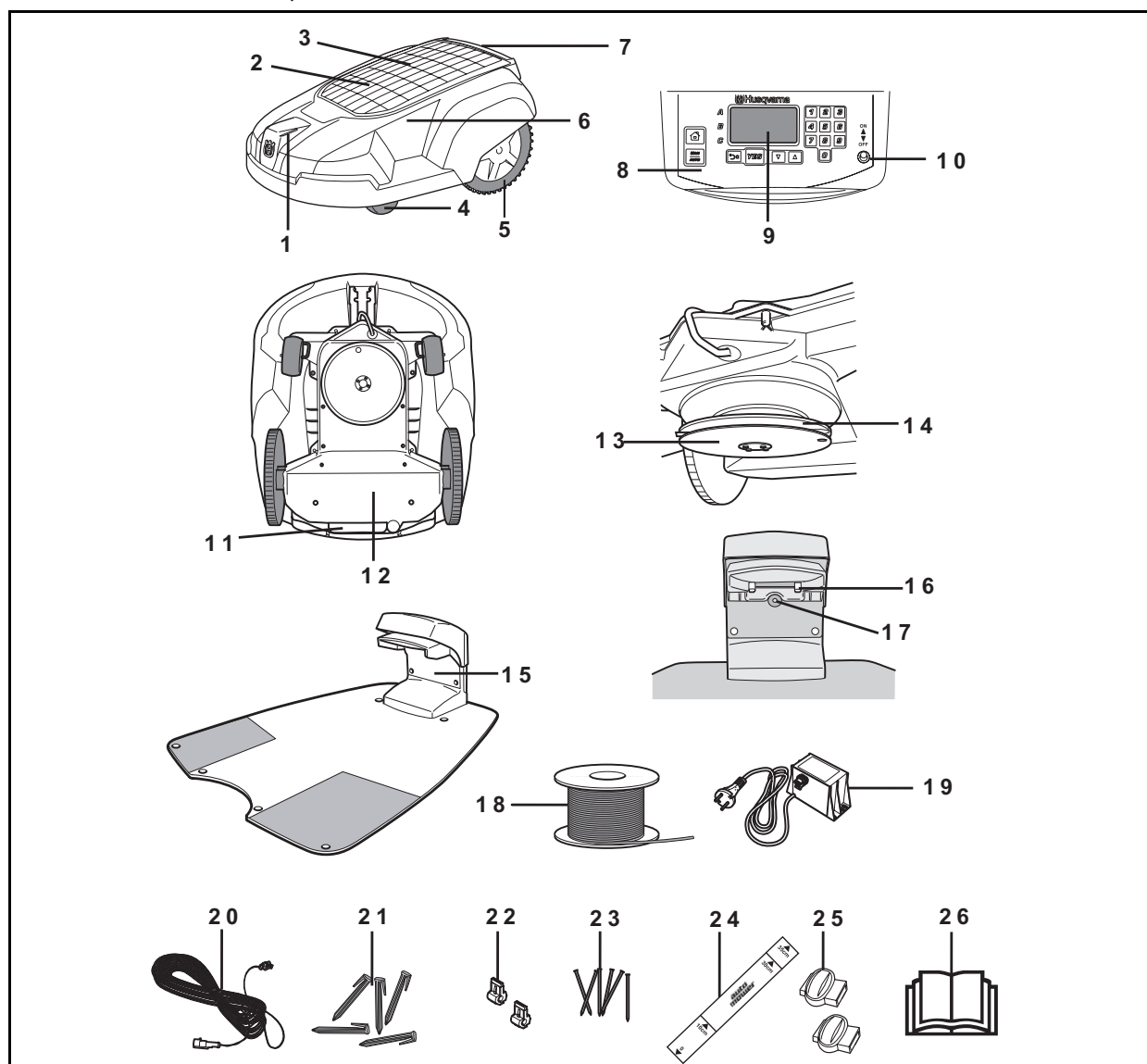
The wire supplied with the installation is 1300 ft long. If this is not sufficient more wire can be purchased, with a connector, and spliced onto the existing wire.



3012-221

2. PRESENTATION

2.1 Automower™, what's what?



3012-816

The numbers in the picture correspond to:

- | | |
|--|--|
| 1. Charging strip | 14. Blade disc |
| 2. Solar cell panel | 15. Charging station |
| 3. Cutting height adjustment cover | 16. Contact strips |
| 4. Front wheel | 17. LED for operation check of the boundary wire |
| 5. Drive wheel | 18. Loop wire for the boundary wire and guide wire |
| 6. Body | 19. Transformer with power cord |
| 7. Stop button | 20. Low voltage cable |
| 8. Keypad | 21. Staples |
| 9. Display | 22. Connector for the loop wire |
| 10. Main switch | 23. Nails for securing the charging station |
| 11. Handle | 24. Measurement gauge for help when installing the boundary wire |
| 12. Chassis box with electronics, battery and motors | 25. Solderless coupler for the loop wire |
| 13. Skid plate | 26. Operator's Manual |

2. PRESENTATION

2.2 Function of Automower™

Capacity

Automower Solar Hybrid is recommended for lawns up to 0.6 acre.

The size of the area mown by the Solar Hybrid mainly depends on the available sunlight, but also on the condition of the blades, the type of grass, growth rate and dampness. The shape of the garden is also significant. If the garden mainly consists of open lawns, Automower can mow more per hour than if the garden consists of several small lawns separated by trees, flower beds and passages.

Solar Hybrid is preferably used during daytime as the solar cell panel then gives the mower increased capacity and with that extended battery life and reduced power consumption. In 12 hours of solely daytime mowing the Solar Hybrid will mow lawns up to approximately 0.35 acre depending on the available sunlight and the type of garden.

How long Automower mows and recharges can vary depending on, among others, the ambient temperature. Up to about 77 °F a fully charged Automower Solar Hybrid mows for approximately 40-80 minutes, depending on the available sunlight, the age of the battery and the thickness of the grass. The mower then charges for 45 - 60 minutes. Above 77 °F both the mowing and charging times gradually drop.

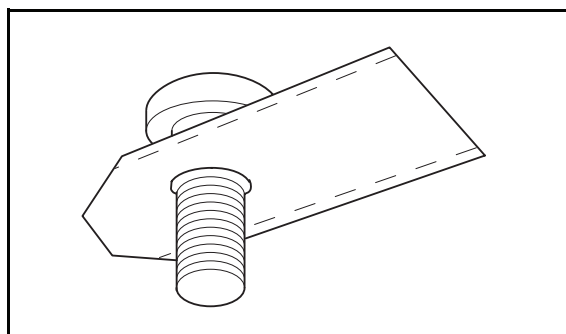
Mowing technique

The mowing system used by Automower is based on an effective and energy efficient principle. Unlike normal lawn mowers, Automower cuts the grass instead of striking it off.

We recommend you allow Automower to mainly mow in dry weather to obtain the best possible result. Automower can even mow in the rain, however, wet grass easily collects on the mower and the risk of slipping on steep slopes is greater.

When there is a risk of thunder Automower should not stand in the charging station. When there is a risk of a thunder storm, the 120 V plug should be removed from the mains socket and the boundary wire disconnected from the charging station.

The blades must be in good condition to obtain the best mowing result. In order to keep the blades sharp for as long as possible it is important to keep the lawn free from branches, small stones and other objects.



3012-422

2. PRESENTATION

Working method

Automower automatically mows the lawn. It continuously combines mowing and charging.

The charging station sends out a signal that Automower can sense at a distance of 20 - 23 ft. The mower starts to search for the charging station when the battery charge becomes too low. Automower does not mow when it is searching for the charging station.

When Automower searches for the charging station it uses one or more of three different search methods: Irregular, Follow boundary wire and Follow guide wire. For more information about the search methods, see *2.3 Search method* on page 15 and *Follow loop in (3-2-2)* on page 53.

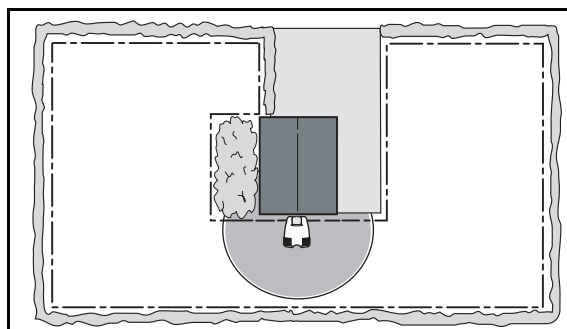
When the battery is charged the mower reverses, turns around and leaves the charging station in a randomly selected direction within the exit sector 90° - 270° .

To make it easier for Automower to reach all parts of the garden you can manually set how the mower will leave the charging station, see *6.5 Garden (3)* on page 49.

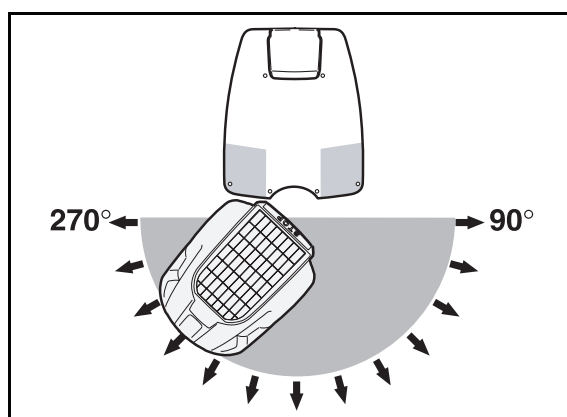
When Automower body hits an obstacle, the mower reverses and selects a new direction.

Two sensors, at the front and back on Automower, sense when the mower approaches the boundary wire. Automower overruns the wire by up to 27 centimeters (11") before it turns. The overrun length can be set, see *Drive past wire (3-4-2)* on page 57.

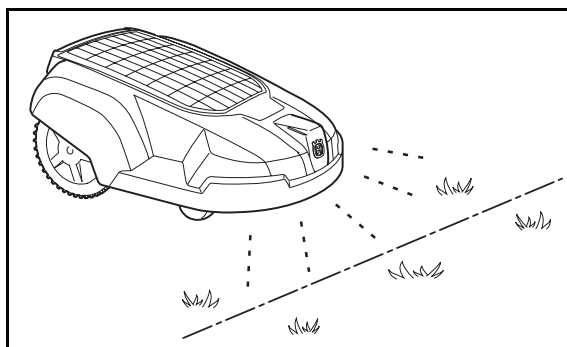
The **STOP** button on the top back edge is mainly used to stop the mower when it's running. When the **STOP** button is pressed down it is possible to open the solar cell panel, under which there is a control panel. The **STOP** button remains depressed until the cover is reset again. This acts as start inhibitor.



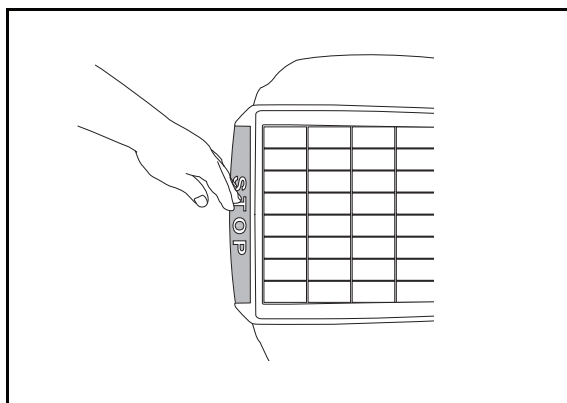
3012-510



3012-817



3012-818



3012-814

2. PRESENTATION

All Automower settings are managed via the control panel under the mower's solar cell panel. The main switch is also located on the control panel.

When the main switch is turned **ON** for the first time, a start-up sequence begins which includes: selection of the language, time format, date format and four digit PIN code, plus setting of the time and date, see page 31.

The selected PIN code must then be entered each time the main switch is moved to the **ON** position. This theft-prevention function is called *Time lock* (4-1-2) and Automower has this function activated as a default setting. The function also means that the mower stops mowing after a set number of days and will not continue until the correct PIN code has been entered. The function can be deactivated or changed as required. For more information about *Time lock* (4-1-2), see page 58.

Automower can enter a sleep mode to save power. The display on the control panel is then completely dimmed.

The sleep mode is activated 25 minutes after the **STOP** button has been pressed and/or the solar cell panel has been opened and then not reset in the operating mode. Automower is then activated by switching the main switch off and on.

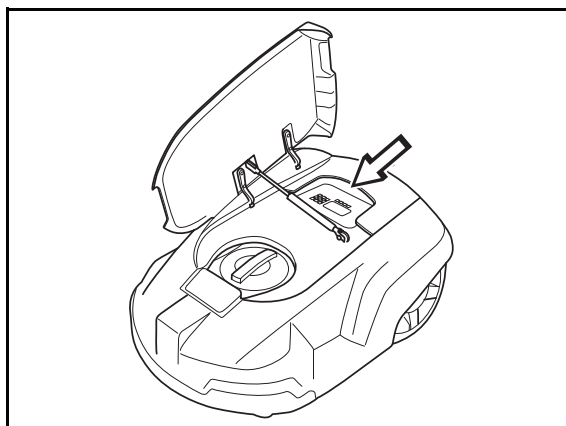
The sleep mode can also be activated in the event of a fault occurring during mowing or charging and which is not rectified within 25 minutes. Automower is then activated by pressing the **STOP** button.

Movement pattern

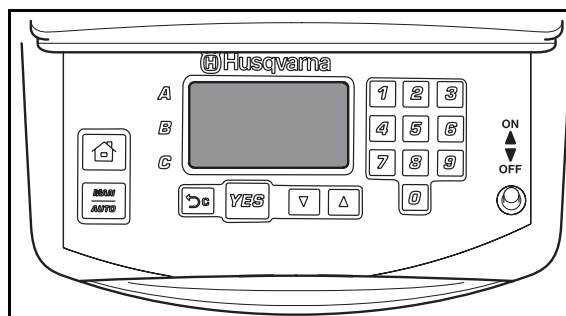
The mower's movement pattern is irregular and is determined by Automower itself. A movement pattern is never repeated. This mowing system means the lawn is mown equally without any mowing lines.

If Automower enters an area where it senses the grass is longer than earlier, it can change the movement pattern. It can then mow in a square pattern to cover the area of longer grass more systematically.

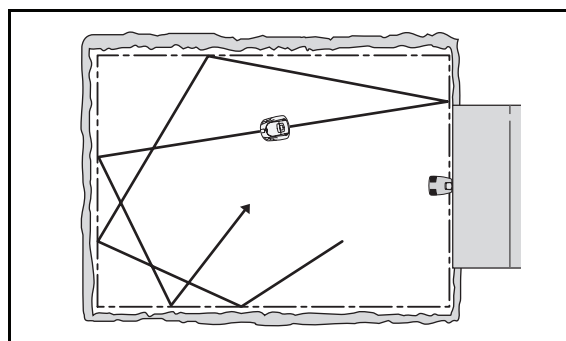
When Automower mows in a square pattern, this is known as square mode cutting. The mower must have been operational for more than 6 hours in order for Automower to start square mode cutting.



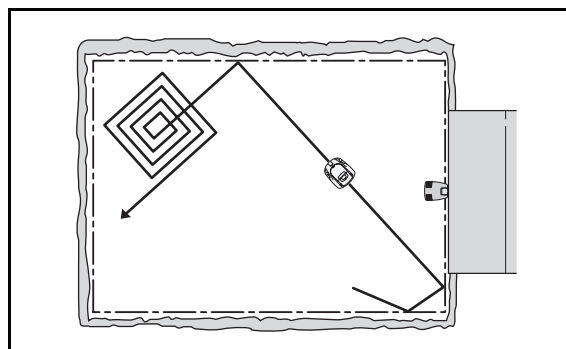
3012-838



3012-400



3012-695



3012-696

2. PRESENTATION

2.3 Search method

Automower can be set to search for the charging station in three different ways. Using the setting options the three search methods can be combined to optimize the search for the charging station. The required search method or methods depends on the shape of the garden.

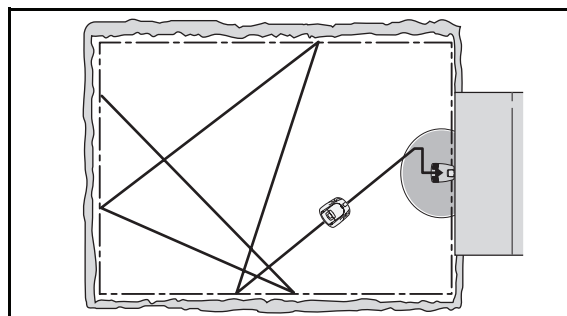
Search method 1: Irregular

Automower runs irregularly until it finds the charging station.

This search method is best for an installation that has an open lawn and no narrow passages (narrower than about 10 ft).

The advantage of this search method is that there is no risk of leaving tracks in the grass after the mower.

The disadvantage is that the search times can be somewhat longer.



3012-483

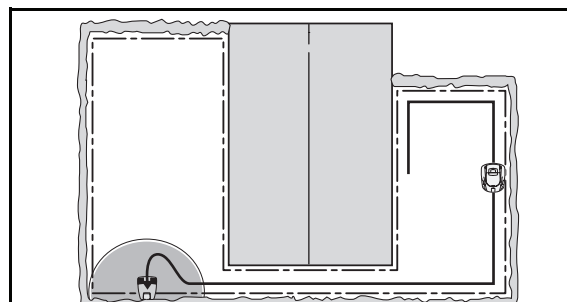
Search method 2: Follow boundary wire

Automower runs irregularly until it reaches the boundary wire. The mower then follows the boundary wire in to the charging station.

This search method is best for an installation that has an open lawn with wide passages (wider than about 10 ft) and no, or only a small, island.

The advantage of this search method is that the search times are generally short.

The disadvantage is that tracks can be formed to a certain extent in the grass behind the mower. Problems can also arise if there are narrow passages or a large number of islands, for example, bushes. Automower circles an island roughly twice, which can take a long time and create tracks.



3012-484

2. PRESENTATION

Search method 3: Follow guide wire

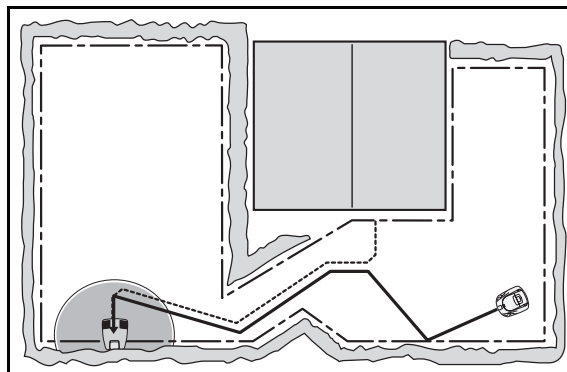
Automower runs irregularly until it reaches the guide wire. The mower then follows the guide wire in to the charging station.

The guide wire is an extra wire that is laid from the charging station, out towards a remote part of the working area or through a narrow passage and is then connected to the boundary wire. Up to two guide wires can be installed for Solar Hybrid. For more information, see 3.8 *Installation of the guide wire* on page 32.

This search method is best for an installation that has numerous or large islands, narrow passages or steep slopes.

The advantage of this search method is that the search times are generally short.

The disadvantage is that the mower can leave tracks in the grass along the length of the guide wire.



3012-677

2.4 More than one Automower™ in a garden

If you install more than one Automower in the same area of lawn, each mower must have its own PIN code. A complete installation, including charging station, is required for each mower. The boundary wires for the different installations can be routed next to each other.

Contact your dealer for further information.

2.5 One Automower™ in several gardens

One Automower can easily be used for more than one garden, where each garden has its own charging station and boundary wire. The mower can then have the same PIN code for all gardens.

Contact your dealer for further information.

3. INSTALLATION

3. Installation

This chapter describes how you install Husqvarna Automower™. Before starting the installation read the previous chapter 2. *Presentation*.

Read the whole of this chapter too before starting the installation. How the installation is made also affects how well Automower will work. It is therefore important to plan the installation carefully.

Planning is simplified if you make a sketch of the working area, including all obstacles. This makes it easier to see the ideal positions for the charging station, boundary wire and guide wire, if used. Draw on the sketch how the boundary wire and the guide wire, if used, should be routed.

Carry out the installation in the following steps:

- 3.1 Preparations.
- 3.2 Installation of the charging station.
- 3.3 Charging the battery.
- 3.4 Installation of the boundary wire.
- 3.5 Connecting the boundary wire.
- 3.6 Checking the installation.
- 3.7 Linking Automower™ to the charging station.
- 3.8 Installation of the guide wire.

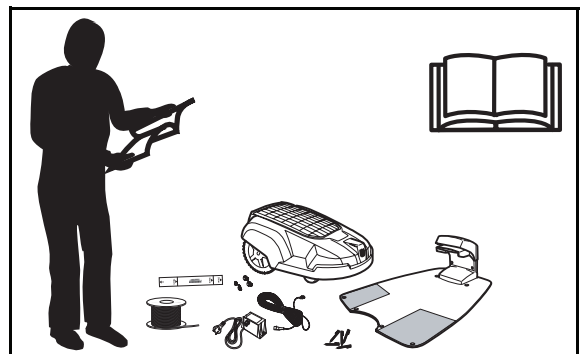
To carry out a complete start-up of Automower the charging station must be in position and connected, the boundary wire connected, and the mower connected to the charging station. If you would like to start the mower without having completed the full boundary installation, you can connect a temporary short loop around the mower.

3.1 Preparations

1. If the lawn in the proposed working area is taller than 4", mow it using a normal lawn mower. Then collect the clippings.
2. Read carefully through all the steps before the installation.
3. Check that all parts for the installation are included:

The numbers in brackets refer to the detail diagram 2.1 *Automower™, what's what?* on page 11.

- Operator's Manual (26)
- Automower
- Charging station (15)
- Loop wire for the boundary wire and guide wire (18)



3012-821

3. INSTALLATION

- Transformer (19)
- Low voltage cable (20)
- Staples (21)
- Connector for the loop wire (22)
- Nails (23)
- Measurement gauge (24)
- Solderless coupler for the loop wire (25)

During installation you will also need: A hammer to knock the staples into the ground, combination pliers, and a straight spade if the boundary wire is to be buried.

3.2 Installation of the charging station

Ideal position of the charging station

For examples of good positioning of the charging station, see 7. *Garden example* on page 63.

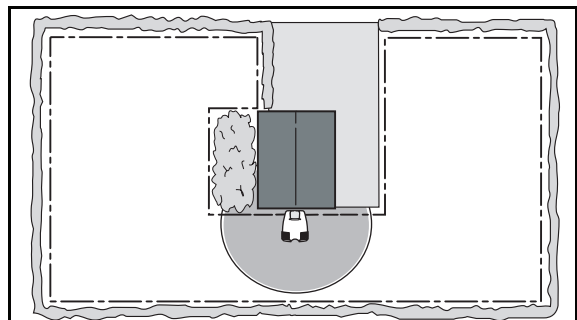
If you are going to install a guide wire, read 3.8 *Installation of the guide wire*, see page 32, before choosing the position of the charging station.

The charging station must be positioned with a great deal of free area in front of it (at least 10 ft). It should also be positioned centrally in the working area so that Automower can easily find the charging station and quickly reach all parts of the working area.

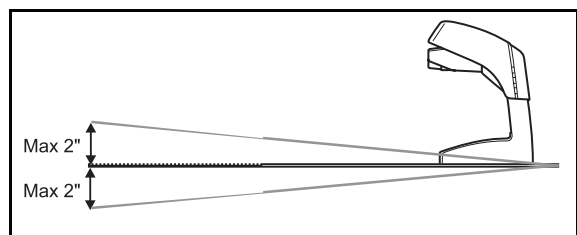
It is a good idea to place the charging station in the shadow. The battery is spared if it is charged in the lowest possible ambient temperature.

The charging station must be positioned on relatively level ground. The height difference must not differ more than 2" between the front and rear of the charging station.

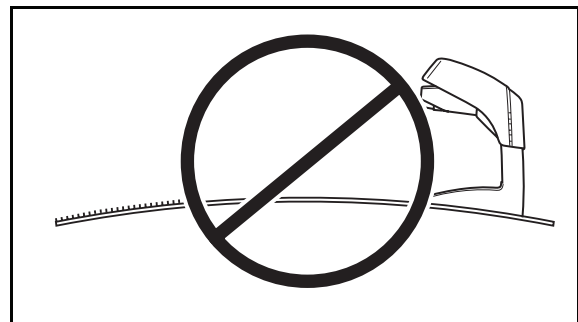
The charging station must not be positioned so that its plate bends.



3012-510



3012-554US



3012-532

3. INSTALLATION

Consider the distance to a wall socket when choosing the position. The charging station should be connected to a 120V wall socket via the low voltage cable and transformer.

The supplied low voltage cable is 66 ft long.

Tip! It is possible to let the low voltage cable cross the working area. It must then be either stapled down or buried. In some cases there is a better positioning option for the charging station than close to a house wall or by the closest wall socket.

IMPORTANT INFORMATION

The low voltage cable must not be extended.

IMPORTANT INFORMATION

The transformer is for indoor use only.

The transformer must be placed where it is well ventilated and is not exposed to direct sunlight.

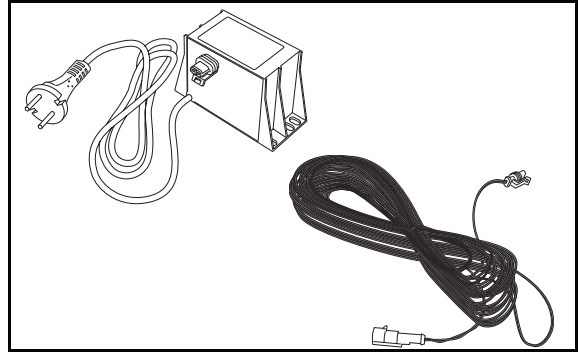
IMPORTANT INFORMATION

The power cord on the transformer must not be replaced. In those cases where the power cord has been damaged, the transformer must be discarded and replaced by a new one.

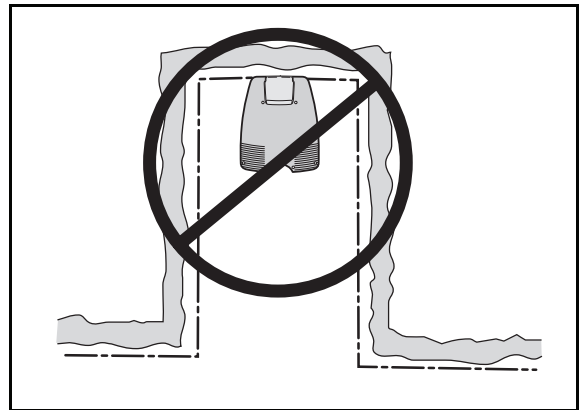
It is recommended to use an earth fault-breaker when connecting the transformer to the wall socket.

Do not put the charging station in a corner or pocket in the working area.

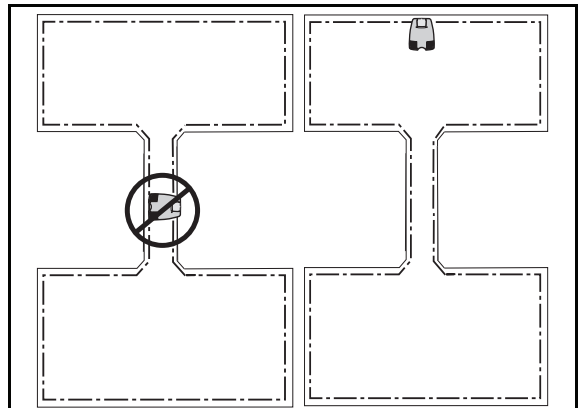
Avoid placing the charging station in a narrow passage (narrower than about 10 ft).



3012-220
3012-223



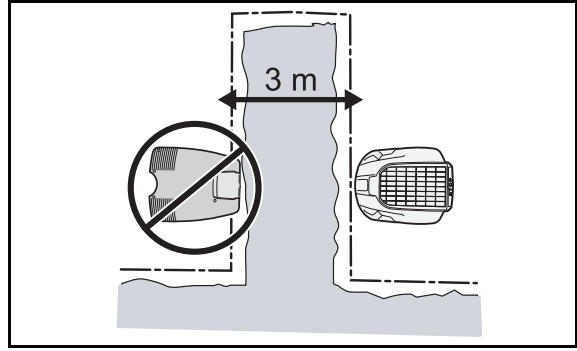
3012-513



3012-514
3012-515

3. INSTALLATION

Do not position the charging station so that the mower can come closer than 10 ft behind the charging station (for example on a narrow point). It will then be harder for the mower to find the charging station.



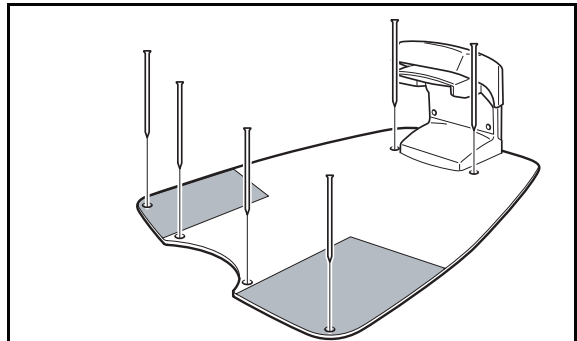
3012-822

Installation and connecting the charging station

1. Position the charging station in a suitable spot.
2. Secure the charging station to the ground using the supplied nails.

IMPORTANT INFORMATION

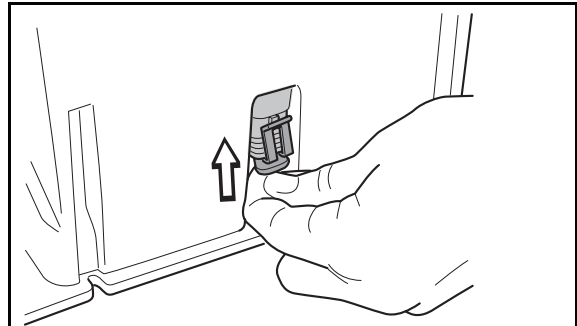
It is not permitted to make new holes in the plate. Only the existing holes may be used to secure the plate to the ground.



3012-549

3. Connect the low voltage cable to the charging station.

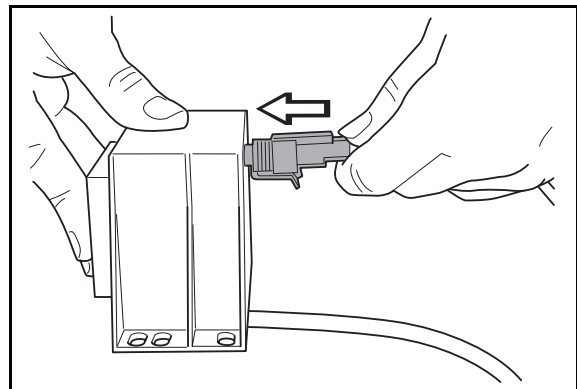
Only use original cable and transformer.



3012-263

4. Connect the low voltage cable to the transformer.

The connectors may be slightly difficult to connect, as they are moisture-proof.



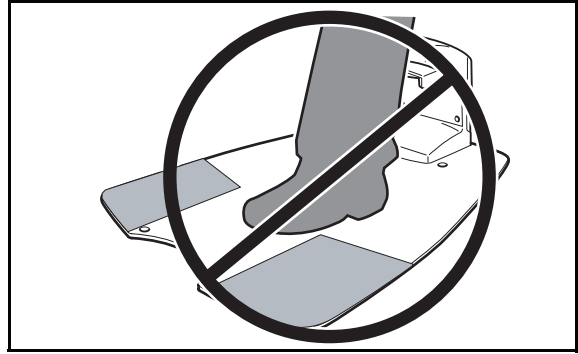
3012-262

5. Connect the transformer's power cord to a 120 V wall socket. It is preferable to use an earth-fault breaker as recommended.

3. INSTALLATION

IMPORTANT INFORMATION

Do not tread or walk on the charging station plate.



3012-533

3.3 Charging the battery

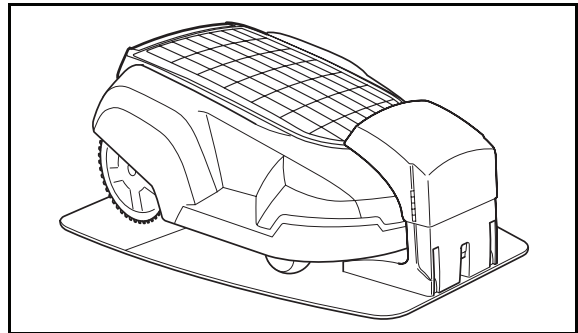
Automower is supplied with an uncharged battery. As soon as the charging station is connected, it is possible to charge the mower.

1. Set the main switch to the *OFF* position.
2. Place Automower in the charging station to charge the battery while you are laying the boundary wire.

From an uncharged state the battery takes about 1 1/2 to 2 1/2 hours until it is fully charged.

IMPORTANT INFORMATION

Automower cannot be used before the installation is complete.



3012-823

3.4 Installation of the boundary wire

The boundary wire can be installed in one of the following ways:

- Securing the wire to the ground with staples.
It is preferable to staple down the boundary cable, if you want to make adjustments to the boundary wire during the first few weeks of operation.
- Bury the wire.
It is preferable to bury the boundary wire if you want to dethatch or aerate the lawn.

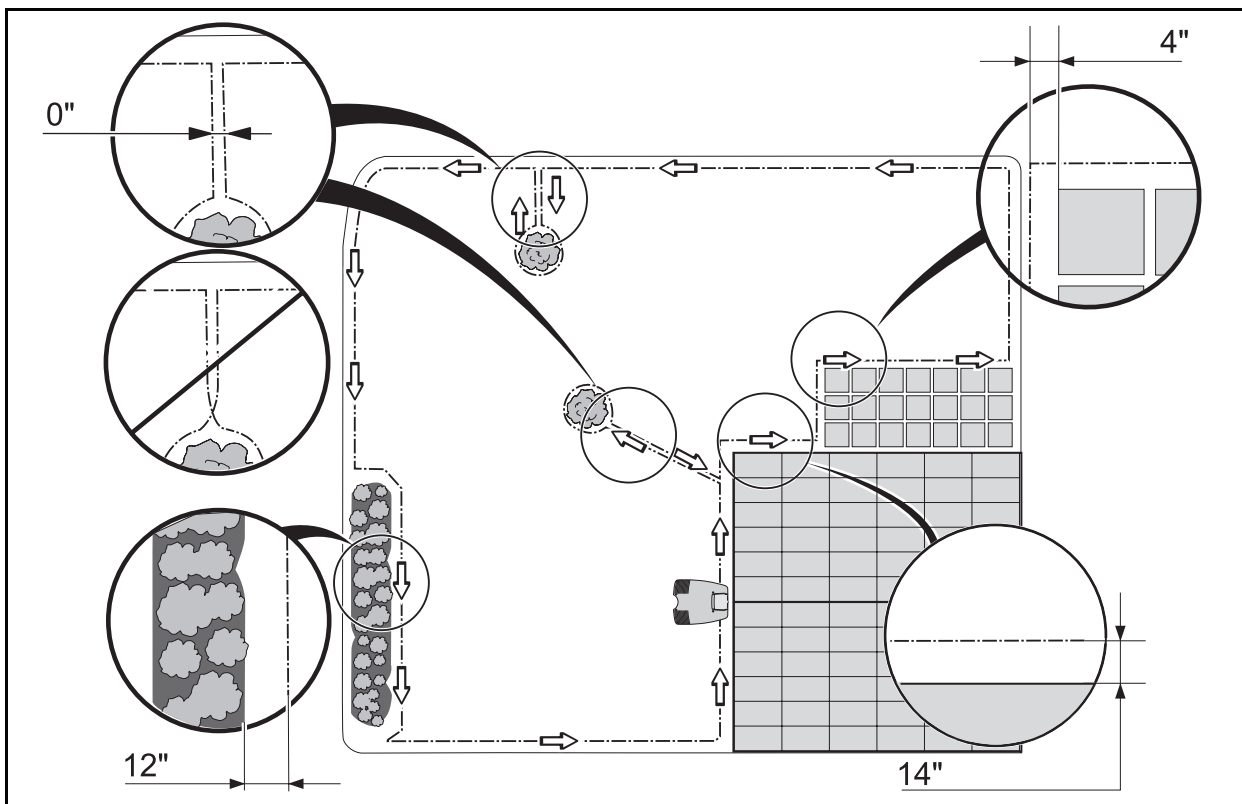
If necessary both methods can be combined so one part of the boundary wire is stapled down and the remainder is buried.

3. INSTALLATION

Best position for the boundary wire

The boundary wire should be laid so it:

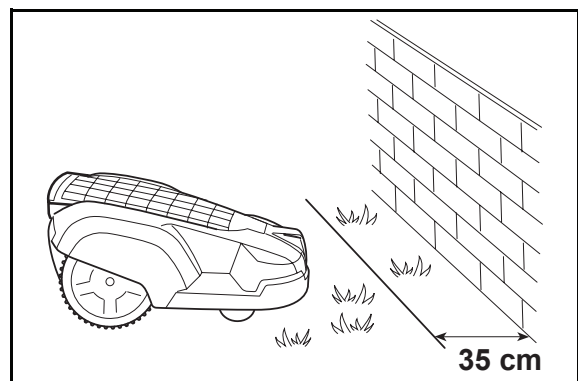
- Forms a loop around the working area for Automower. Only an original boundary wire must be used. This is tinned and has a high quality insulation to withstand the dampness in the ground.
- Maintains a maximum distance of 100 ft from Automower in the entire working area.
- Ideally not longer than 1600 ft.
- The boundary wire is laid at different distances from obstacles depending on what the working area borders. The picture below shows how the boundary wire should be routed around the working area and around obstacles.



3012-688US

Boundaries for the working area

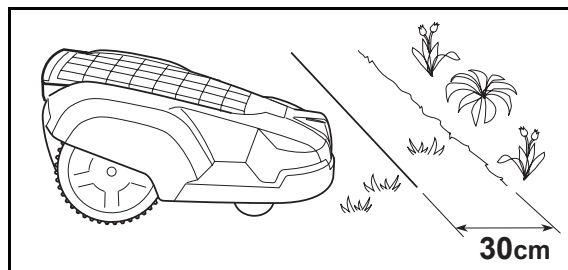
If a high obstacle, for example a wall or fence, borders the working area, the boundary wire should be laid 14" from the obstacle. This will prevent Automower from colliding with the obstacle and reduce body wear.



3012-824

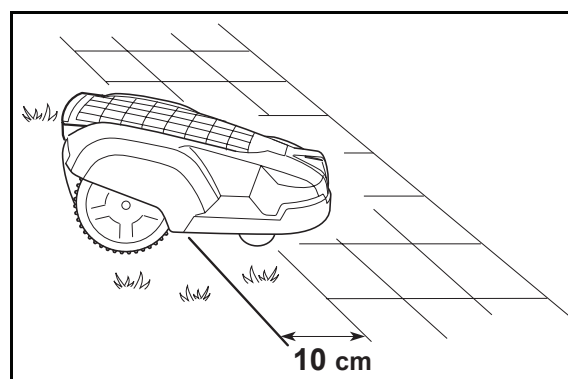
3. INSTALLATION

If the working area borders against a small ditch, for example, a flower bed or a small elevation, e.g. a low verge (1" - 2"), the boundary wire should be laid 12" inside the working area. This prevents the wheels from driving into the ditch or up onto the verge.



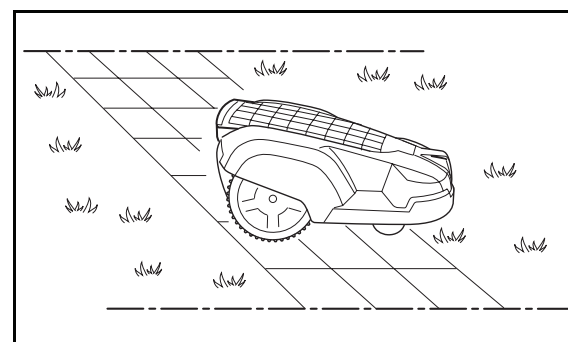
3012-825

If the working area borders against a flat path or the like that lies level with the lawn, it is possible to allow Automower to run a little over the path. The boundary wire should then be laid 4" from the edge of the path.



3012-826

When the working area is divided by a flat slab path that is level with the lawn, it is possible to allow Automower to run over the path. It can be an advantage to lay the boundary wire under the slabs. The boundary wire can also be laid in the joint between the slabs.



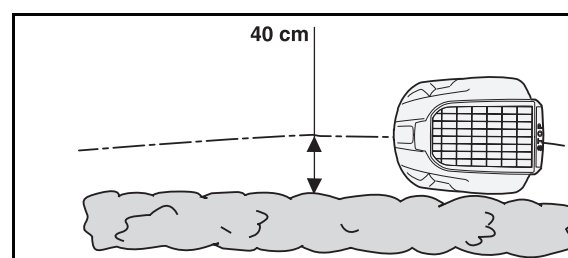
3012-827

Note! Automower must never run over a gravel path or similar material, which can damage the blades.

If the working area borders against, for example, pools of water the boundary wire should be supplemented with a fence or the like. The height must then be at least 6". This will prevent Automower, under any circumstances, coming outside of the working area.

When Automower searches for the charging station or follows the loop according to the function *Follow loop* (3-2) (see page 51), it runs along the side of the boundary wire at a specific distance. The *Corridor width* (3-2-3) function determines the distance from the boundary wire that the mower shall run. It is recommended to state as high a *Corridor width* value as possible. A high *Corridor width* value reduces the risk of tracks forming. For more information about *Corridor width* (3-2-3), see page 54.

In exceptional cases Automower can be set to straddle the boundary wire, that is to say, half the mower inside the loop and the other half outside. The boundary wire must then be kept at a distance of about 16" from all the boundaries of the working area and from the edges of a passage.

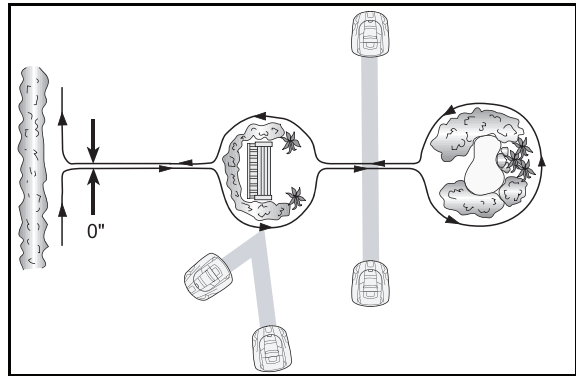


3012-828

3. INSTALLATION

Boundaries within the working area

Use the boundary wire to demarcate areas inside the working area by creating islands around obstacles that can not withstand a collision, for example, flower beds and fountains. Run the cable out to the area, route it around the area to be demarcated and then back along the same route. If staples are used, the wire should be laid under the same staple on the return route. When the boundary wire to and from the island are close together, the mower can drive over the wire.

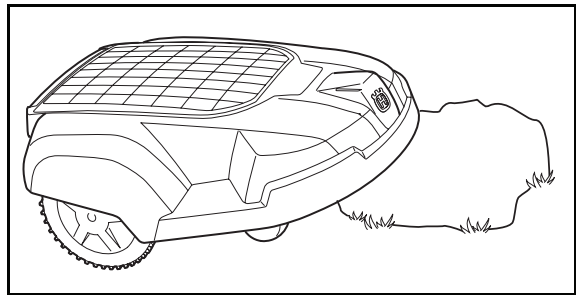


3012-647US

Obstacles that can withstand a collision, for example, trees or bushes higher than 6", do not need to be demarcated by the boundary wire. Automower will turn when it collides with this type of obstacle.

However, for the most gentle and silent operation, it is preferable to demarcate all fixed objects in and around the working area.

Obstacles that slope slightly, for example, stones or large trees with raised roots, should be demarcated or removed. Automower can otherwise slide up onto this kind of obstacle causing the blades to be damaged.



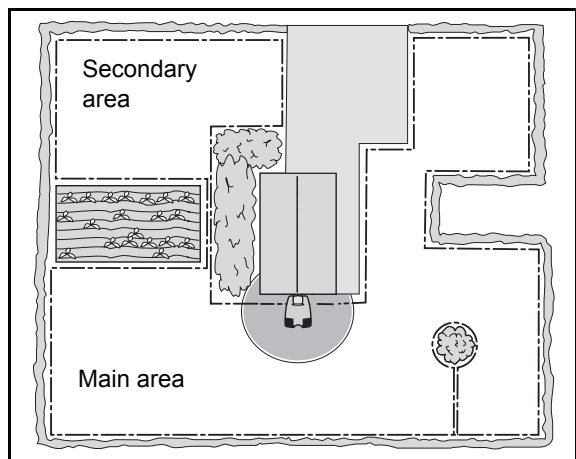
3012-829

Secondary areas

It is recommended to create a secondary area when the working area is made up of two areas that are joined by a passage where the distance between the boundary wires is less than 24". Run the boundary wire then around the secondary area so that it forms an island outside of the main area.

Automower must be moved manually between the main and secondary areas. Use the *MAN* operating mode when Automower shall mow a secondary area.

Instead of creating an island with the existing boundary wire, a secondary area generator can ideally be used. A secondary area generator can be purchased as an accessory. Contact your dealer for further information.



3012-682

Passages when mowing

Long narrow passages and areas, narrower than 5 - 7 ft, should be avoided. When Automower mows there is a risk that it runs around in the passage or area for a too long a period. The lawn will then look flattened.

3. INSTALLATION

Passages when searching for the charging station

The distance between the boundary wires in a passage must be at least 10 ft in order for Automower to follow the boundary wire through the passage without the need of changing the mower's default settings. When the distance is less than 10 ft, there are two options available that permit Automower to run through the passage.

1. Install a guide wire.

When the distance between the boundary wires is less than 10 ft, it is recommended to install a guide wire through the passage. For more information about the guide wire, see 3.8 *Installation of the guide wire* on page 32.

Usually the installation of the guide wire is the best solution with narrow passages.

The narrowest passage that Automower can run through with the help of a guide wire is 2 ft between the boundary wires.

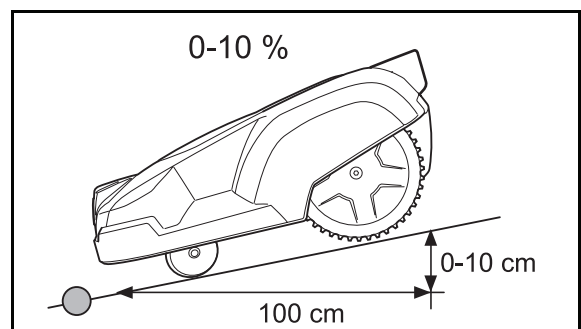
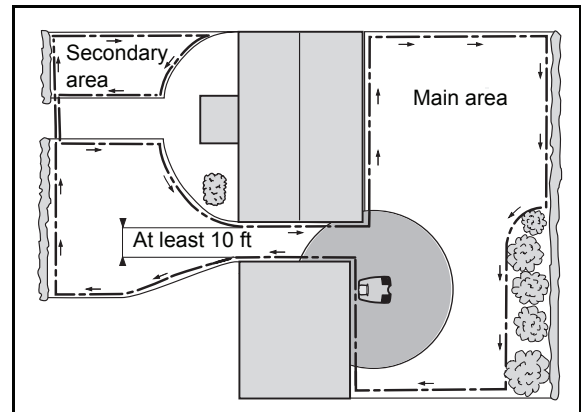
2. Change the Corridor width setting (3-2-3).

When the distance between the boundary wires in a narrow passage is more than 7 ft it is possible for Automower to run through the passage if a low value is set for the *Corridor width* (3-2-3) function (see page 54). However, a low value involves a large risk of tracks forming along the entire boundary wire.

The transition between a large area and a passage should be, if possible, designed like a funnel, with rounded corners, to make it easier for Automower to enter the passage.

Slopes

The boundary wire can be laid across a slope that slants less than 10 %.



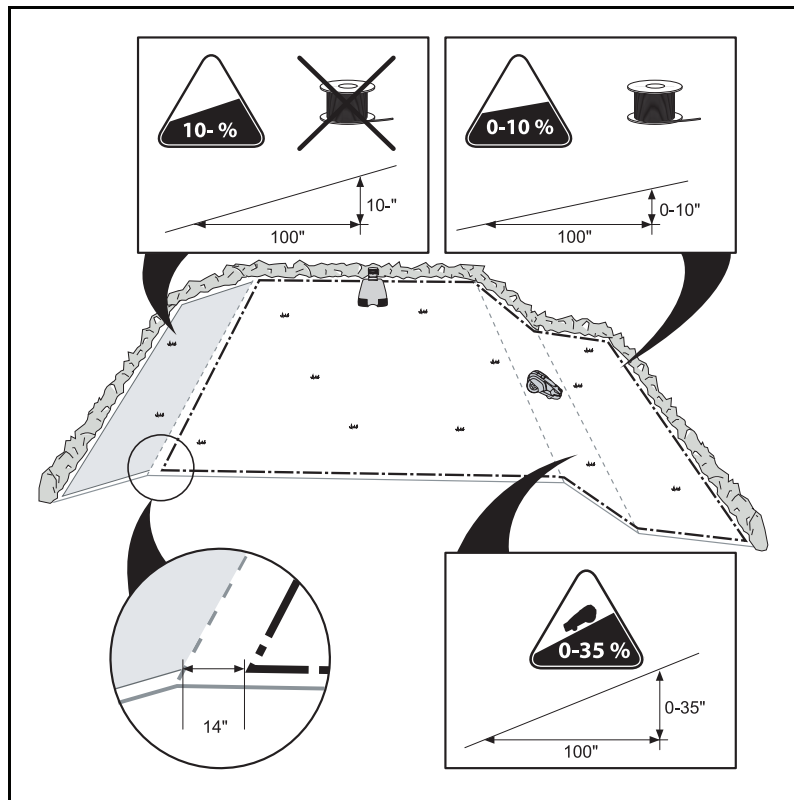
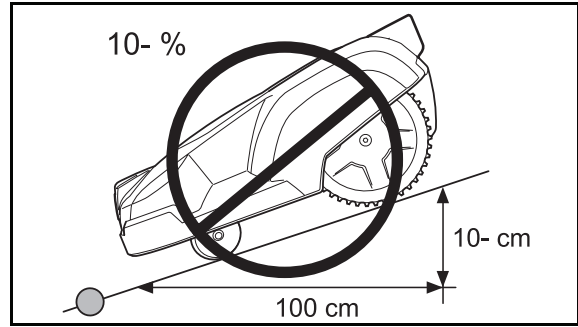
3. INSTALLATION

The boundary wire should not be laid across a slope that is steeper than 10 %. There is a risk of Automower finding it difficult to turn there. The mower will then stop and show the fault message *Outside working area*. The risk is at its greatest in damp weather conditions, as the wheels can slip on the wet grass.

However, the boundary wire can be laid across a slope steeper than 10 % when there is an obstacle that Automower can be permitted to collide with, for example, a fence or a dense hedge.

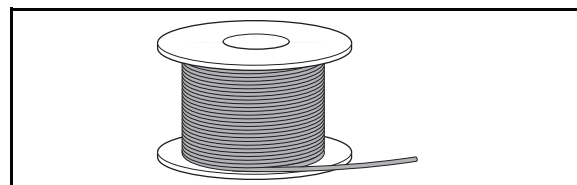
Automower can mow areas inside the working area that slope up to 35 % (see picture). Areas that slope more must be demarcated by the boundary wire.

When any part of the working area's boundary slopes more than 10" per 100", the boundary wire must be routed about 14" in on flat ground before the slope starts.



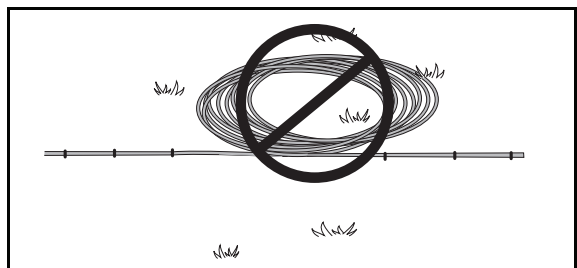
Laying out the boundary wire

Run the boundary wire around the working area, but wait before connecting the wire to the charging station.



IMPORTANT INFORMATION

Extra wire must not be placed in coils outside the boundary wire. This can disrupt Automower™.



3. INSTALLATION

Tip! Use the supplied measurement gauge as a guide when you lay out the boundary wire. This helps you to easily set the correct distance between the boundary wire and the boundary/obstacle.

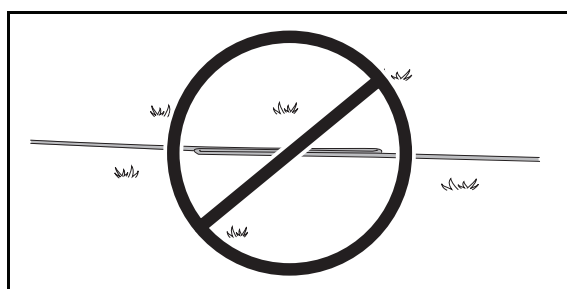
If you intend to staple down the boundary wire:

- Tip! Mow the lawn where the wire is to be laid using a normal lawn mower or a trimmer. It will then be easier to lay the wire close to the ground and the risk of the mower cutting the wire off is reduced.
- Make sure to lay the boundary wire tight to the ground and secure the staples close together with approximately 30" between each staple. The wire must generally lie close to the ground, so as not to be cut off before the grass roots have grown over it.
- Use a hammer to knock down the staples in the ground. Exercise care when knocking in the staples and make sure the wire is not under strain. Avoid forming the wire in sharp bends.

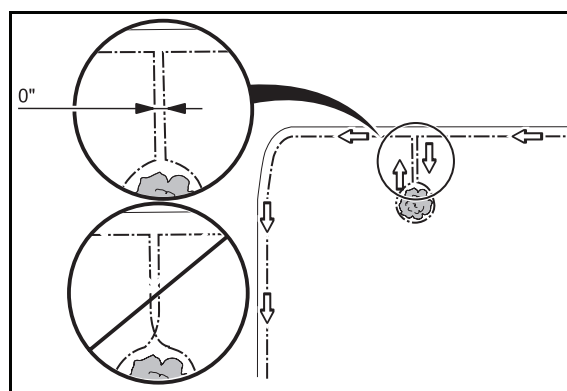
If you intend to bury the boundary wire:

- Make sure to place the boundary wire at least 0.5" and a maximum of 8" into the ground.

The boundary wire must not be crossed on the path to and from an island.



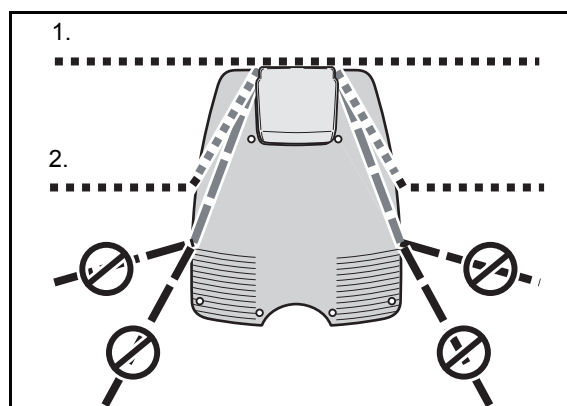
3012-745



3012-686US

Laying the boundary wire in towards the charging station

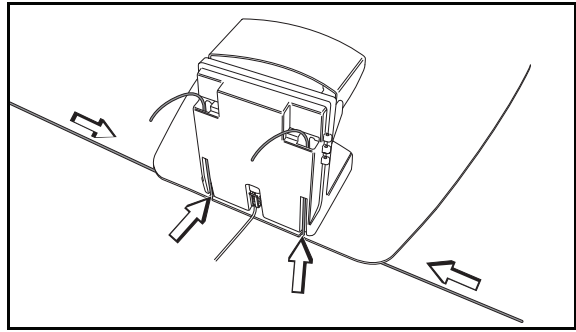
The boundary wire can be routed in several different ways in towards the charging station. The best alternative is to route the wire completely outside the charging station, see alternative 1. The wire can also be placed under the charging station plate as shown in alternative 2 in the illustration. However, the wire should not be placed outside alternative 2 because it can then be difficult for Automower to find the charging station.



3012-671

3. INSTALLATION

When connecting to the charging station, the right end of the boundary wire should be guided into the right-hand hole and the cable's left end in the left-hand hole.

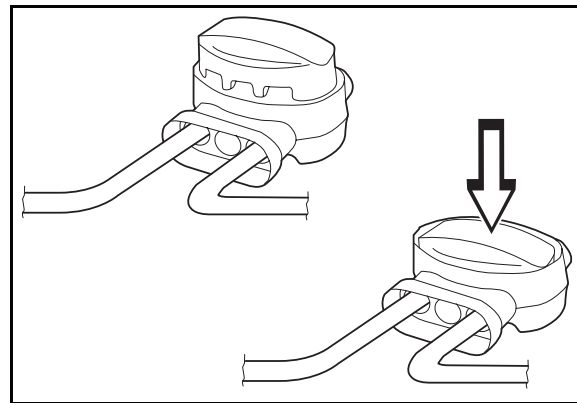


3012-462

Joining the boundary wire

If the boundary wire is not long enough and needs to be spliced: Use original solderless coupler. It is waterproof and gives a reliable electrical connection.

To splice: Insert both cable ends in the coupler. Now press down the button on top of the connector fully. Use a pair of pliers or the like, as the button on the connector is difficult to press down by hand.



3012-832

IMPORTANT INFORMATION

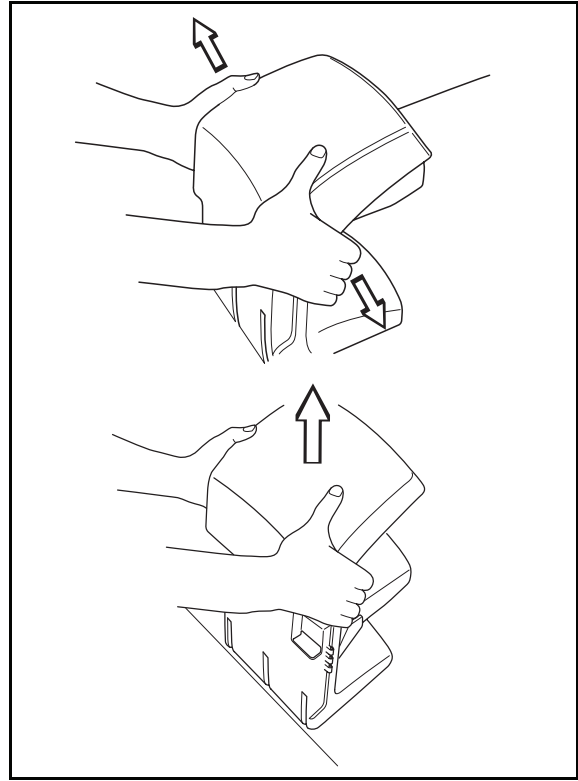
Twisted cables, or a screw terminal (chock-block), insulated with insulation tape is not a satisfactory splice. Soil moisture will cause the conductors to oxidize and after a while result in a broken circuit.

3. INSTALLATION

3.5 Connecting the boundary wire

Connect the boundary wire to the charging station:

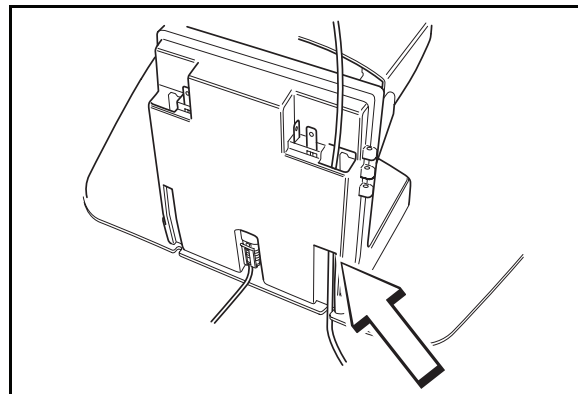
1. Lift up the cover on the charging station:
 - Grip under the edge of the cover with both hands and pull straight out towards the sides.
 - Now lift the cover straight up.



3012-268
3012-269

2. Slide in the ends of the boundary wire in the lowermost holes on the charging station and catch them in the uppermost holes.

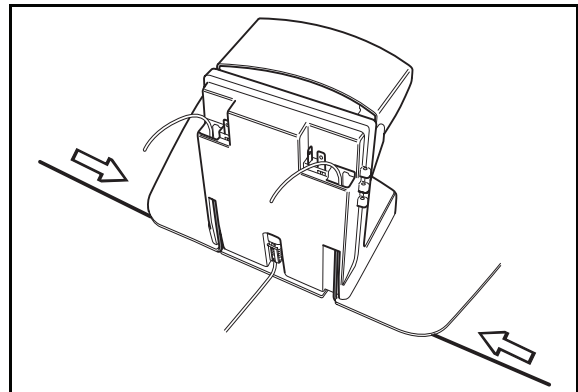
The right hand wire end should be inserted in the right hand hole, and the left hand wire end in the left hand hole.



3012-508

IMPORTANT INFORMATION

The boundary wire must not be crossed when connecting to the charging station. Therefore the right hand wire end must be connected to the right hand connector on the charging station and vice versa.

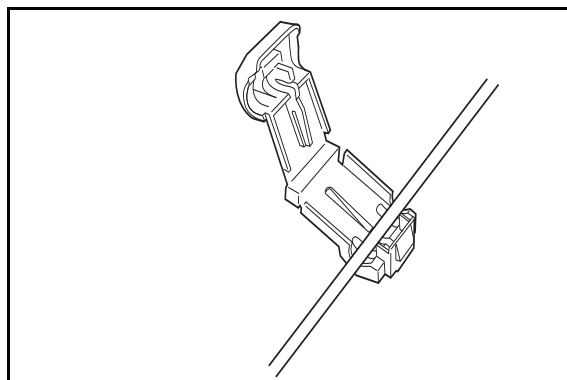


3012-506

3. INSTALLATION

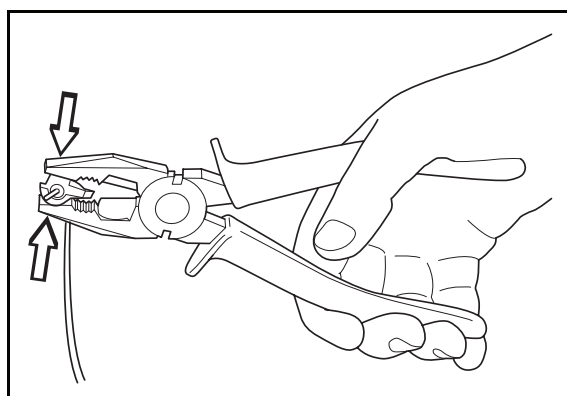
3. Place the cable ends in the connector:

- Open the connector.
- Place the wire in the connector grip.



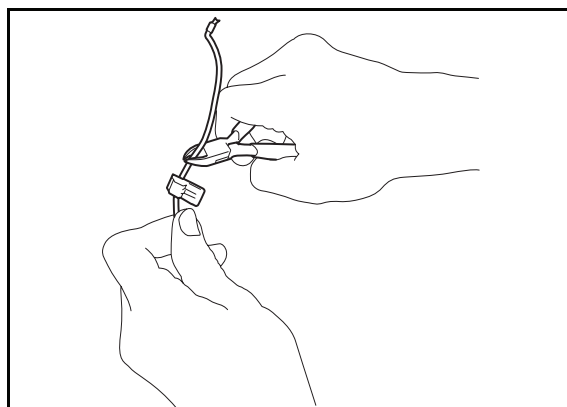
3012-284

4. Press the connector together using a pair of pliers. Press until you hear a click.



3012-264

5. Cut off any surplus boundary wire. Cut 0.4" - 0.8" above respective connectors.

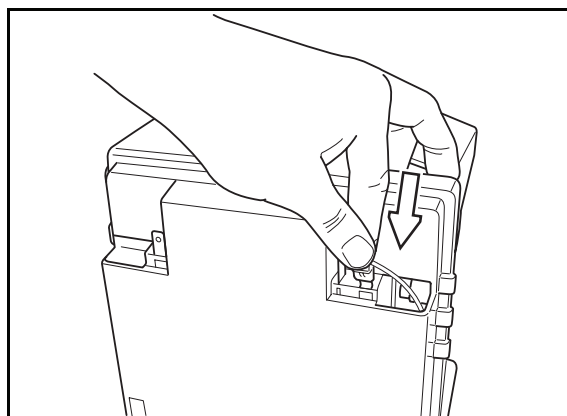


3012-265

6. Press the connector onto the contact pin, marked A, on the charging station.

IMPORTANT INFORMATION

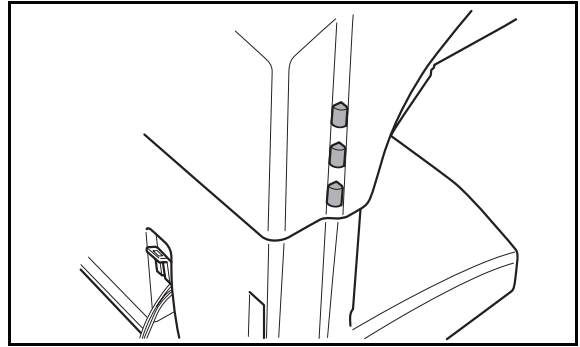
The right hand connector should be connected on the right hand contact pin on the charging station and vice versa.



3012-507

3. INSTALLATION

7. Refit the cover on the charging station. Ensure the three guides on the charging station enter the right holes in the cover.

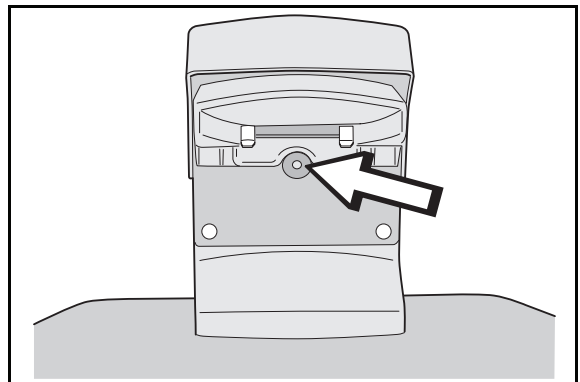


3012-270

3.6 Checking the installation

Check the loop signal by looking to see what indication the green LED on the charging station is giving.

- Steady light = the signal is okay.
- Flashing once every other second = break in the loop and no signal found.
- Flashing twice every other second = weak signal. This may be due to the boundary wire exceeding 1600 ft or that the cable is damaged. If the mower works, it is not a problem.

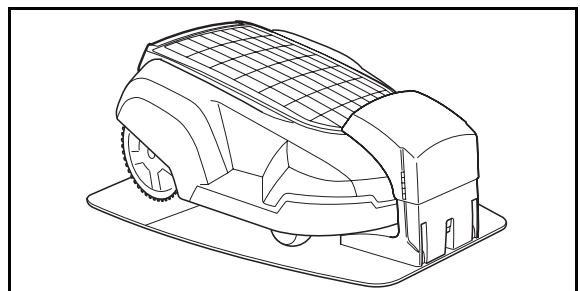


3012-282

3.7 Linking Automower™ to the charging station

1. Place the Automower in the charging station.
2. Open the solar cell panel using the cut-out on the back edge of the panel to access the control panel.
3. Set the main switch to the *ON* position.

A start-up sequence begins when Automower is started for the first time. The following is requested: Language, time format, correct time, date format, date, and four-digit PIN code. All combinations except 0000 are permitted.



3012-823

When you have chosen a PIN code with Automower placed in the charging station, the mower and charging station are then linked to each other.

3. INSTALLATION

3.8 Installation of the guide wire

The guide wire is an extra wire that is laid from the charging station, out towards a remote part of the working area or through a narrow passage and is then connected to the boundary wire. The same wire used for the boundary wire is also used for the guide wire.

Up to two guide wires can be installed for Solar Hybrid. In similarity to the boundary wire, the guide wire can either be stapled down or buried.

When a guide wire is installed, Automower can also be set to follow the guide wire out from the charging station using the function *Follow loop out (3-2-1)*, see page 51.

Need of a guide wire

The guide wire may be necessary in installations where the search methods Irregular and Follow boundary wire are not adequate for the mower to quickly and easily find the charging station.

A few examples of installations where a guide wire is recommended follow below:

- Narrow passages.

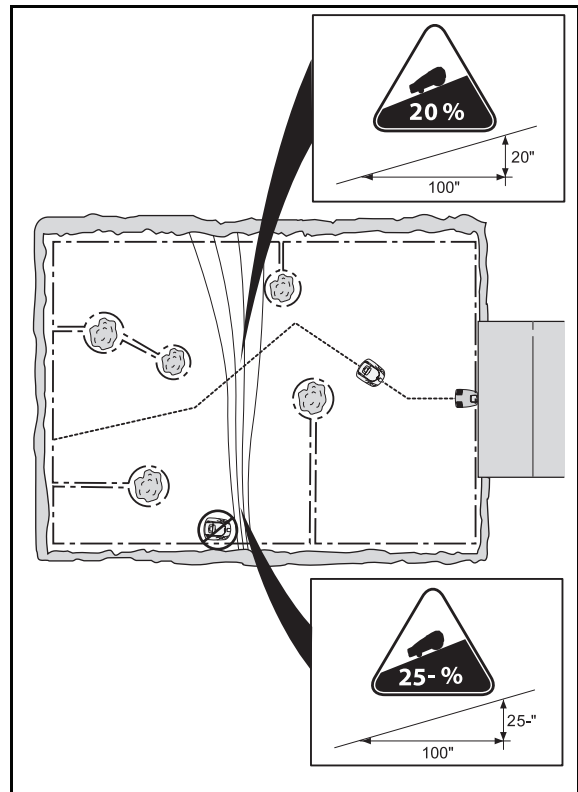
In passages where the distance between the boundary wires is less than 10 ft, it is recommended to install a guide wire through the passage. This is a better solution than allowing Automower to follow close to the boundary wire by setting a low *Corridor width* value.

- The boundary wire runs along a steep slope (steeper than 25 %).

When Automower follows the boundary wire that runs along a steep slope, the mower will change direction and run away from the boundary wire.

- Numerous or large islands.

If Automower is permitted to follow the boundary wire it may circle an island roughly twice before it leaves the island and once again searches for the boundary wire.

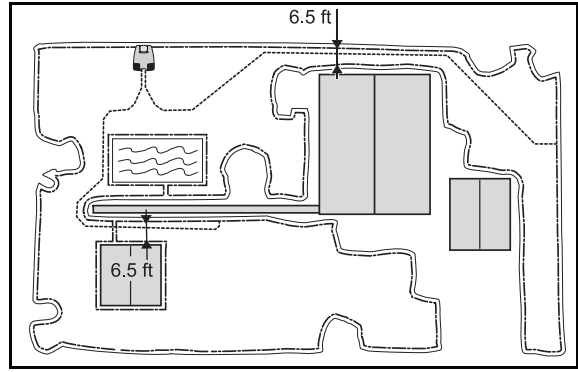


3012-736US

3. INSTALLATION

- The route to a remote area is long or complicated.

When Automower shall follow the boundary wire to or from a remote area and the route along the boundary wire to the area is long or complicated.



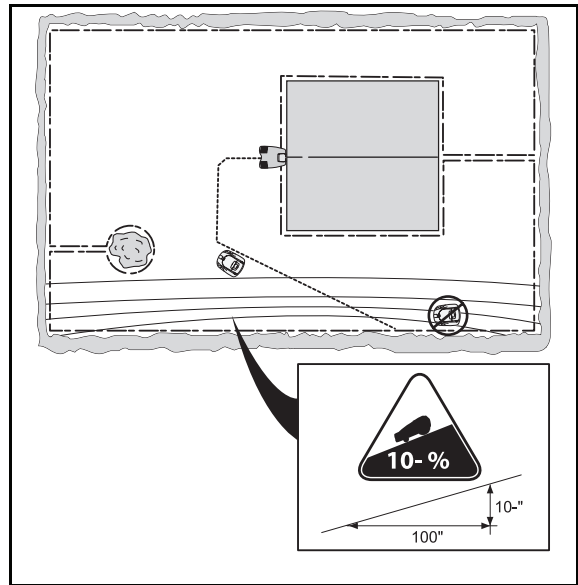
3012-737US

- The boundary wire runs across a long slope (steeper than 10 %).

When Automower follows the boundary wire across a slope (steeper than 10 %) the mower must compensate for the slope. The mower then follows the boundary wire at a slower speed. The risk of the mower running outside of the working area due to skidding increases.

- The charging station is positioned on an island.

When there is more than 13 ft between the charging station and the outer edge of the boundary wire, it can take a long time for Automower to find the charging station when it follows the boundary wire. There is a risk of the mower following the outer edge of the working area 2 - 3 turns before it changes direction and starts to follow the loop at another spot.



3012-738US

Placement and connection of the guide wire

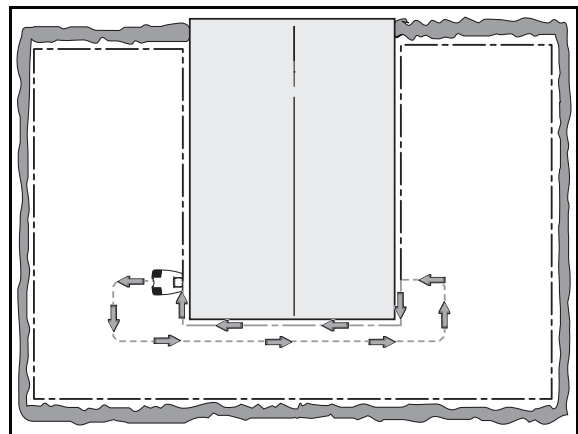
In the text below the guide wires are called guide 1 and guide 2, as is the case on the rear of the charging station.

1. Check that the charging station has the best placement.

The guide wire together with the part of the boundary wire that makes up the return to the charging station is known as the guide loop. The current in the guide loop always goes to the left in the connection between the guide wire and the boundary wire.

The adjoining picture shows what is considered a guide loop.

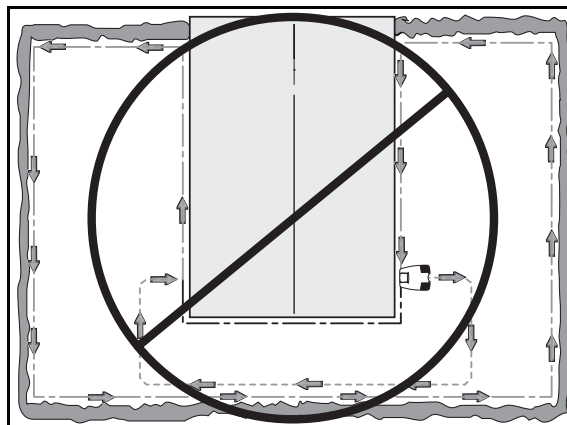
The picture is also a good example of an ideal position for the charging station to give the shortest possible guide loop.



3012-651

3. INSTALLATION

The longer the guide wire, the closer the mower follows the guide wire. If the guide wire is longer than 1000 ft, the mower may find it difficult to follow the wire. This varies depending on the design of the garden and installation.

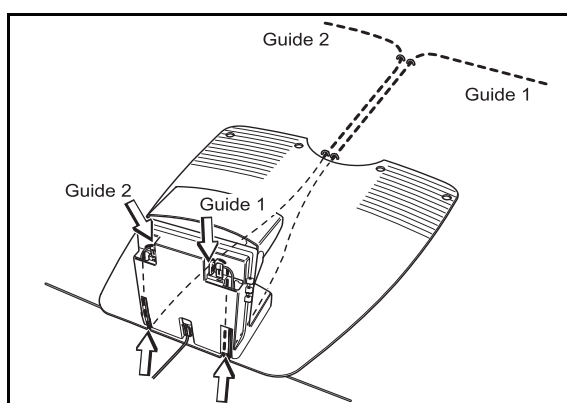


3012-650

2. Lift up the cover on the charging station.
3. If you intend to install guide 1:
 - Insert the end of guide 1 into the lower right-hand hole on the charging station and catch it in the upper hole.
 - Secure a connector on the guide wire.
 - Connect guide 1 to the contact pin on the charging station marked guide 1.

If you intend to install guide 2:

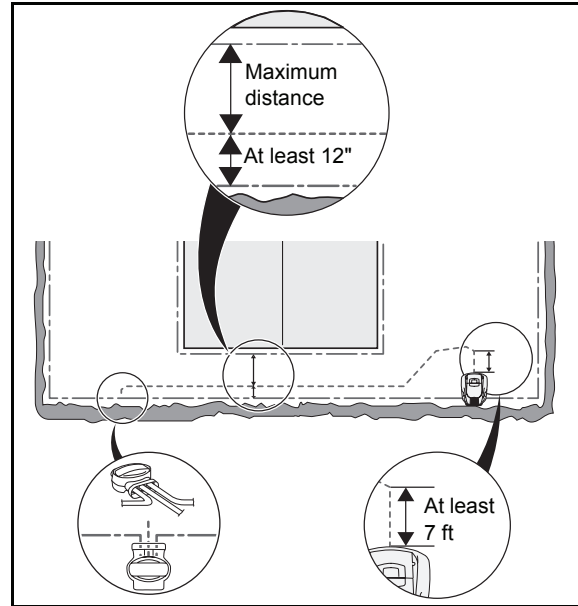
- Insert the end of guide 2 into the lower left-hand hole on the charging station and catch it in the upper hole.
 - Secure a connector on the guide wire.
 - Connect guide 2 to the contact pin on the charging station marked guide 2.
4. Route the cable straight under the charging station plate.



3012-538

3. INSTALLATION

5. Route the guide wire at least 7 ft straight out from the front edge of the charging plate.



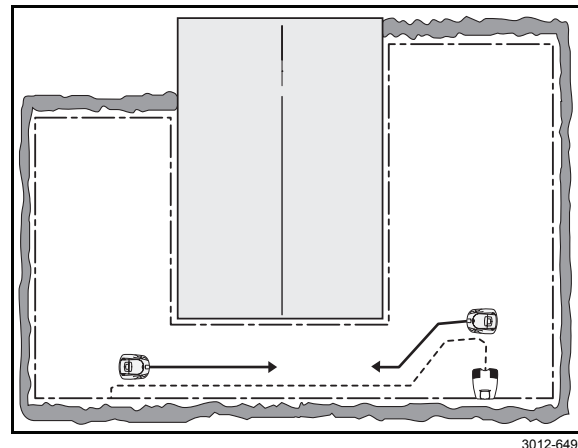
If you shall install the guide wire through a passage:

- Automower follows the guide wire on the same side of the wire both to and from the charging station. This means that in towards the charging station the guide wire is on the right side of the mower and away from the charging station the guide wire is on the left side of the mower.

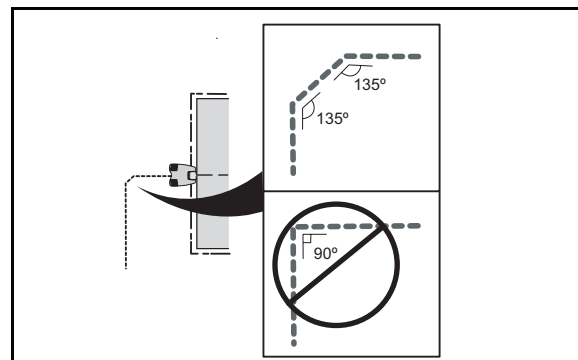
In the passage, the guide wire must be placed so that the mower has as much space to run as possible. The distance between the boundary wire and the guide wire must however be at least 12" (see the picture above).

The same minimum distance (12") also applies between the guide wire and the guide wire in the passage,

Avoid laying the wire at sharp angles. This can make it difficult for the mower to follow the guide wire.

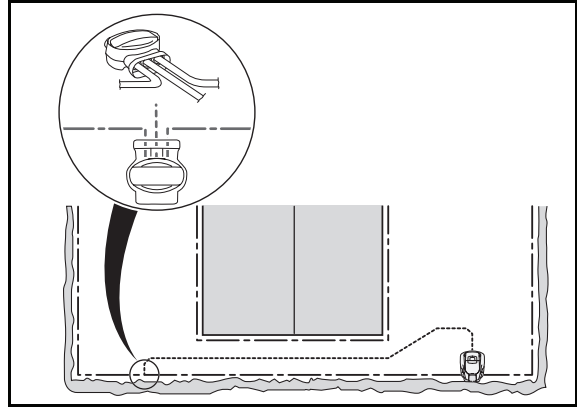


6. Run the guide wire to the spot on the boundary wire where you want to make the connection.
7. Lift out the boundary wire.
8. Cut off the boundary wire using a pair of wire cutters.



3. INSTALLATION

9. Connect the guide wire to the boundary wire with the help of a solderless coupler:
 - Insert the ends of the boundary wire in the right respective left-hand holes on the connector.
 - Insert the end of the guide wire in the centre hole.
 - Press down the button on the connector fully.
10. Staple down/bury the connector in the lawn.



3012-835

IMPORTANT INFORMATION

The function of the guide wire varies depending on how the working area appears. It is therefore recommended to test the installation with the help of the function *Test IN (3-2-4)*, see page 55.

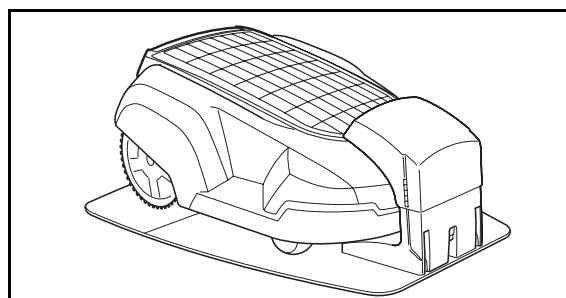
4. USE

4. Use

4.1 Charging a discharged battery

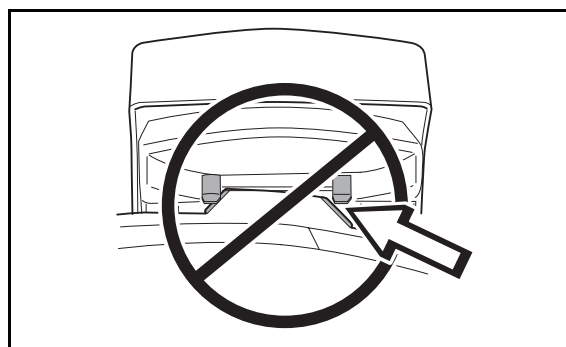
When Husqvarna Automower™ is new or has been stored for a long period the battery will not be charged and needs to be charged before starting. Charging takes between 1 1/2 and 2 1/2 hours.

1. Place Automower in the charging station. Insert the mower as far as possible.



3012-823

Good contact is made when both the charging strips on the mower touch the centre of the contact strips on the charging station.



3012-299

2. Open the solar cell panel using the cut-out on the back edge of the panel to access the control panel.
3. Set the main switch to the *ON* position.

Information about the charging process is shown on the display during the entire charging process.



WARNING

Read the safety instructions before you start your Automower.



1001-003



WARNING

Keep your hands and feet away from the rotating blades.
Never put your hands or feet close to or under the body when the motor is running.



3012-663

4. USE

4.2 Using the timer

The lawn should not be cut too often to obtain the best mowing result. Use the timer function (see 6.4 *Timer* (2) on page 47) to avoid a downtrodden lawn and to get the maximum life from your Automower.

For example, the quality of your lawn will improve if it is mown every other day instead of 12 hours each day. In addition, the grass benefits from resting completely during at least a three-day period once a month.

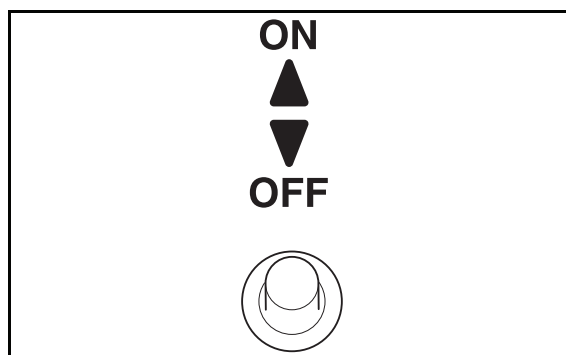
4.3 Starting Automower™

1. Open the solar cell panel using the cut-out on the back edge of the panel to access the control panel.
2. Set the main switch to the *ON* position.
3. Enter the PIN code.

The default setting for the theft prevention function *Time lock* (4-1-2) on Automower is active. The function requires the PIN code to be stated each time the main switch is moved to the *ON* position when this is not done correctly the mower will stop mowing after the set number of days and will not start again until the correct PIN code has been entered. The function can be deactivated or changed as required. For more information about *Time lock* (4-1-2), see page 58.

4. Close the solar cell panel and check that the **STOP** button is in the operating mode.

The message *Starting* is shown on the display. 5 beeps are heard over 2 seconds when the blade disc starts.

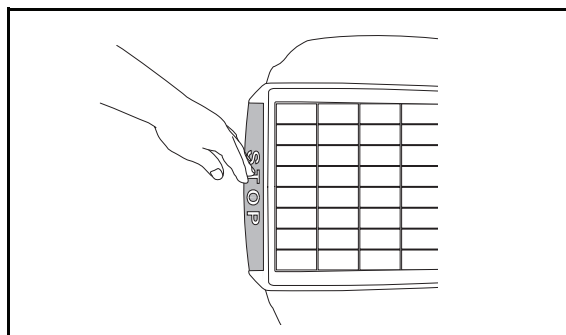


3012-408

4.4 Stopping Automower™

1. Press the **STOP** button.

Automower stops, the blade motor stops and the solar cell panel cover can be opened.



3012-814

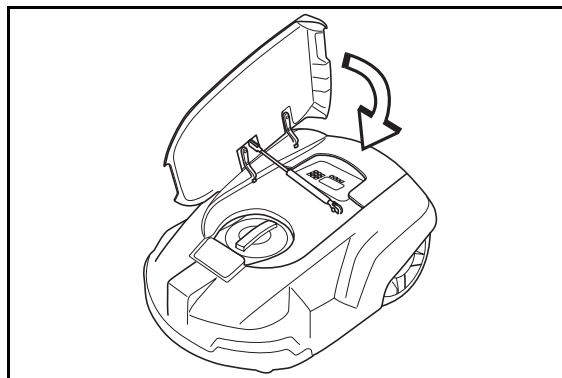
4. USE

4.5 Restart

Restart within 20 seconds

1. Close the solar cell panel and check that the **STOP** button is in the operating mode.

Automower starts automatically.



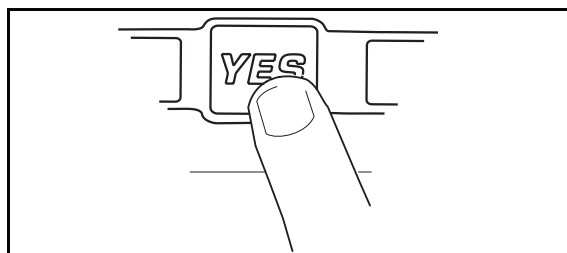
3012-839

Restart after more than 20 seconds

If more than 20 seconds has elapsed since the last time the **STOP** button or the keypad was pressed it is not possible to start the Automower by just closing the cover the solar cell panel and/or setting the **STOP** button in the operating mode.

To start:

1. Press the **YES** button.
2. Close the solar cell panel and check that the **STOP** button is in the operating mode.

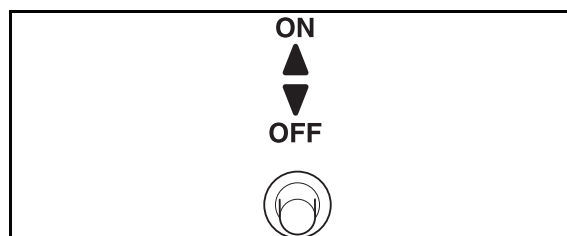


3012-402

4.6 Switching off Automower™

1. Press the **STOP** button.
2. Open the solar cell panel and set the main switch to the **OFF** position.

Always switch off Automower using the main switch if you intend to perform maintenance or move the mower outside of the working area.



3012-409

4. USE

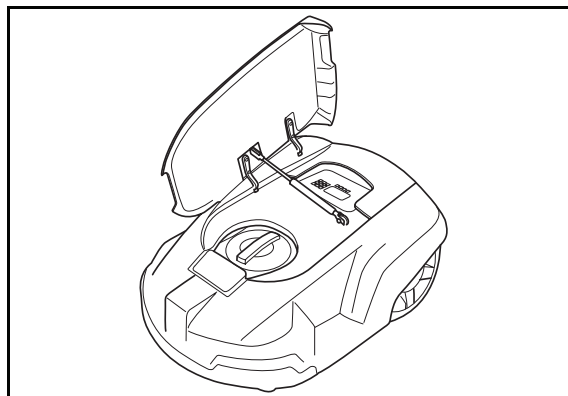
4.7 Adjusting the cutting height

The cutting height can be varied from MIN (0.8") to MAX (2.5").

If the grass is long it is appropriate to let Automower start mowing at the MAX cutting height. Once the grass is shorter, you can gradually lower the cutting height.

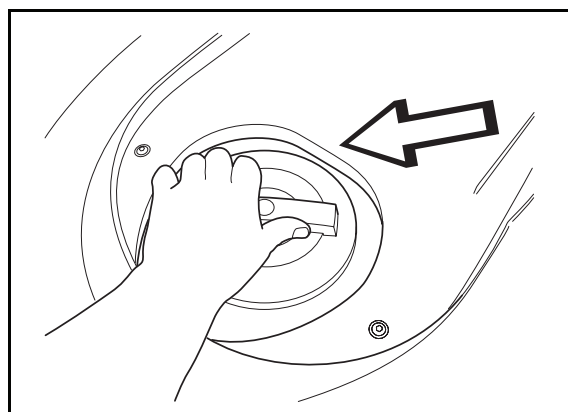
To adjust the cutting height:

1. Press the **STOP** button to stop the mower.
2. Open the solar cell panel to access the cutting height adjustment cover.



3012-836

3. Turn the knob to the required position. The selected position is the marking on the knob that aligns with the arrow on the body.
 - Turn clockwise to raise the cutting height.
 - Turn anticlockwise to lower the cutting height.



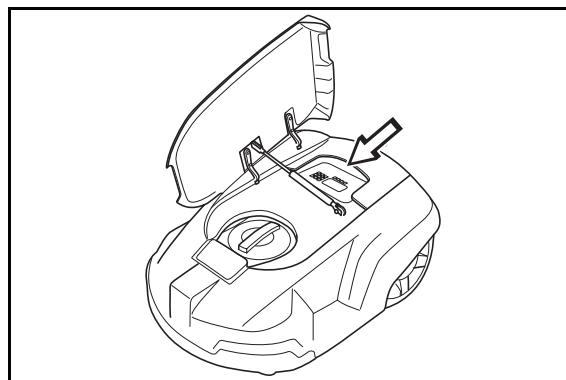
3012-837

4. Close the solar cell panel and check that the **STOP** button is in the operating mode.

5. CONTROL PANEL

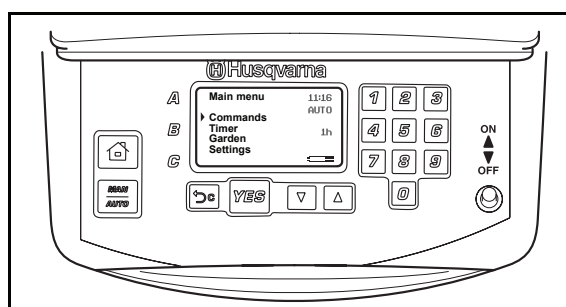
5. Control panel

All forms of commands and settings for Husqvarna Automower™ are made via the control panel. All functions are accessed via a number of menus.



3012-838

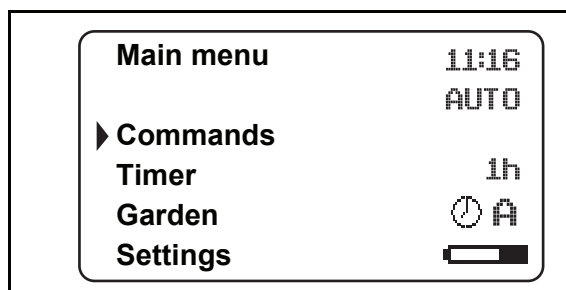
The control panel consists of a display and a keypad. All information is shown on the display and all input is done using the buttons.



3012-680

The main page shows the main menu, cursor, clock, selected operating mode, number of mowing hours, clock icon, program selection and battery status.

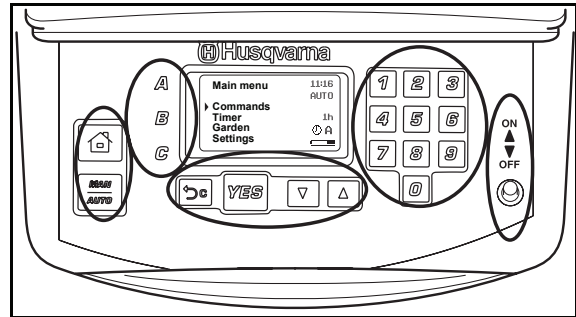
- The main menu is the uppermost level in the entire menu structure.
- The cursor shows which menu has been selected when the **YES** button is pressed.
- The clock shows the current time.
- The text *AUTO* or *MAN* shows which operating mode has been selected.
- The number of operating hours indicates the number of hours since the day of manufacture that Automower has been in operation. The time that Automower has spent mowing or looking for the charging station is counted as operating time.
- The clock icon shows when Automower should be or is switched off by the timer, i.e. stands in the charging station or is on its way to the charging station to switch off.
- The program icon shows when one of the programs under the buttons **A**, **B** or **C** is selected.
- The battery status shows the remaining battery charge.



3012-679

5. CONTROL PANEL

The keypad consists of five groups of buttons: Shortcuts, program, selection, numbers and the main switch.



3012-416

5.1 Shortcuts

1. Home:

- Sends the mower to the charging station. Where it stays until the button is pressed again.

The house icon is lit on the right-hand side of the display when the button is pressed. The mower will remain in the charging station even when the battery is fully charged.

When the *Test IN* (3-2-4) function (see page 55) is selected, Automower will, once it reaches the charging station, remain there until the **Home** button is pressed again.

- Move the cursor in the menu structure back to the main page.

2. Operating mode:

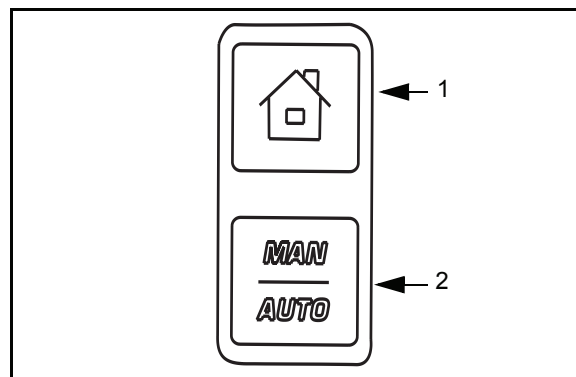
The selected operating mode is shown on the right-hand side of the display as *AUTO* respective *MAN*.

Press the button to choose between:

- *AUTO*, the normal automatic operating mode where Automower mows and charges continuously.
- *MAN*. If you select *MAN*, close the solar cell panel and check that the **STOP** button is in the operating mode when Automower is on the lawn, it will mow until the battery is discharged. It will then stop and show the message "Need manual charging". The mower must then be moved manually to the charging station and then started manually after charging.

If you select *MAN*, close the solar cell panel and check that the **STOP** button is in the operating mode when Automower is in the charging station the mower will charge completely, reverse 8" and stop.

The *MAN* operating mode must be used when mowing secondary areas. Automower will never start to search for the charging station but continues to mow until the battery is discharged.



3012-404

5. CONTROL PANEL

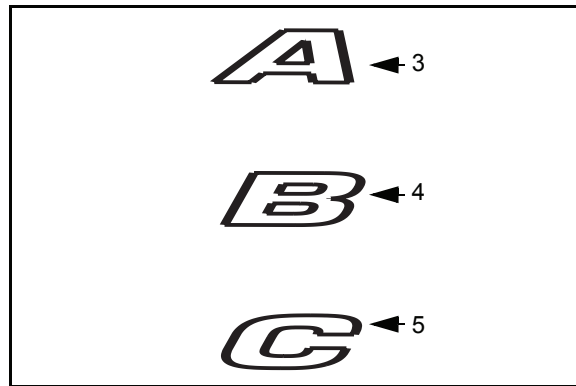
5.2 Programs

3. A
4. B
5. C

Under the program buttons you can save sets of different settings, to reuse or to simplify the use of Automower in several gardens. Under respective buttons there are some preset settings. You can choose to use these or change them.

- To change settings: Make the required settings. Save by holding down the selected button for 2 seconds, until two beeps are heard close together. If, for example, button **A** is pressed the message *Program A changed* will be shown for 2 seconds on the display.
- Use the saved information by quickly pressing the required button.

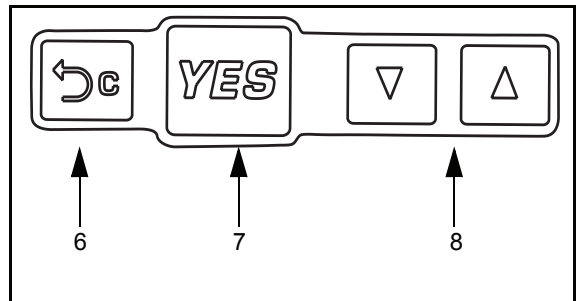
If, for example, button **A** is pressed the question *Use program A?* will appear on the display. If **YES** is pressed, the *Program A* will be selected. The letter **A** is then shown on the right-hand side of the display to indicate which program is selected.



5.3 Select

6. Cancel:
 - Press to go back one step in the menu structure, or to interrupt an ongoing input.
7. YES:
 - Press to confirm an entry or selection.
 - Press to start the mower if more than 20 seconds has elapsed since you last pressed a button and you want to close the solar cell panel cover and/or set the **STOP** button in the operating mode.
8. Arrow up and arrow down:

Press any of the arrow buttons to move the cursor between menus or different selections.

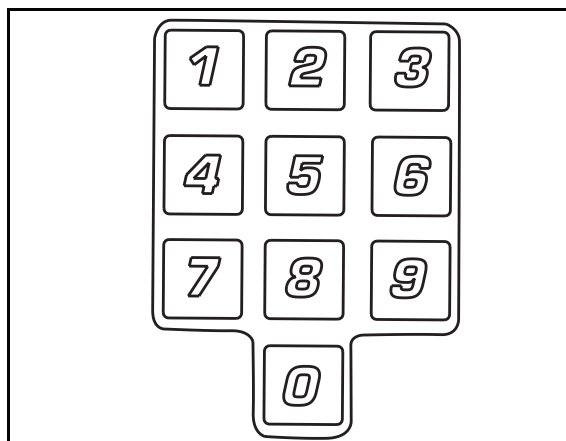


5. CONTROL PANEL

5.4 Numbers

9. Used in the menu structure to enter settings, for example, PIN code, time or exit direction.

Also used to specify a number series as a shortcut to the different menus. See more about number series in *Number series* on page 45.



3012-407

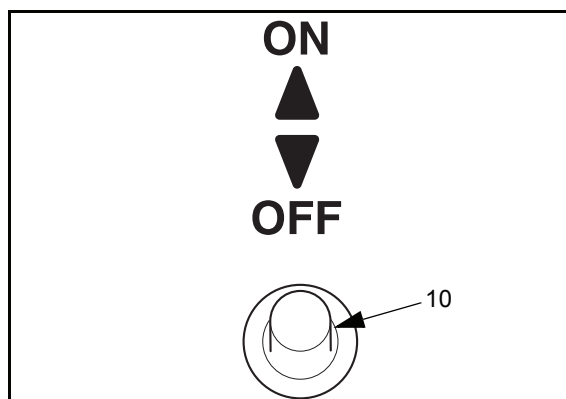
5.5 Main switch

10. Set the main switch in the *ON* position to start Automower.

Set the main switch in the *OFF* position when you are not using the mower or if you want to work on the blade disc.

When the main switch is set in the *OFF* position the motors on the mower cannot start.

When the main switch is turned *ON* for the first time, a start-up sequence begins which includes: selection of the language, time format, date format and four-digit PIN code, plus setting of the time and date, see page 31.



3012-408

6. MENU FUNCTIONS

6. Menu functions

6.1 Main menu

The main menu consists of four options:

6.3 *Commands* (1)

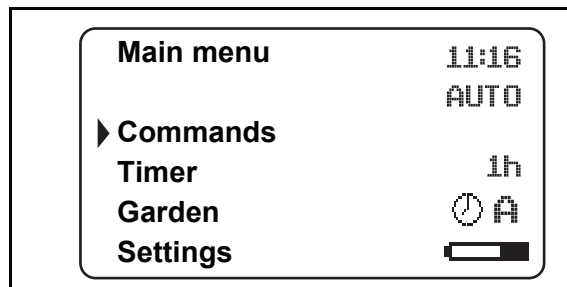
6.4 *Timer* (2)

6.5 *Garden* (3)

6.6 *Settings* (4)

The numbers in brackets refer to the menu rows on the display of the Husqvarna Automower™.

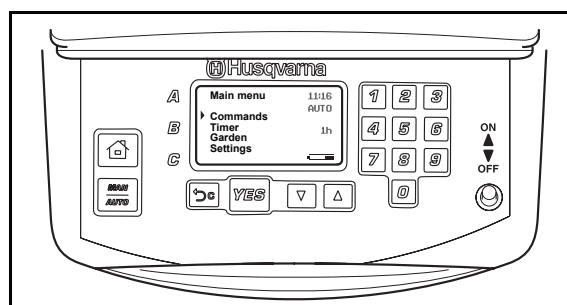
There are a number of submenus under each option. You can access all the functions to set Automower settings via these.



3012-679

Browse between menus

Browse through the main menu and submenus with the help of the arrow buttons. Enter values and the time with the help of the numerical buttons and confirm each selection with the **YES** button. Press the **Cancel button** to go one menu step back, and press the **Home button** to return directly to the main menu.



3012-680

Number series

The selection you have made in the main menu as well as subsequent selections made in submenus are shown as a number series in the right hand corner of the display.

The first number in the series refers to the selection in the main menu. The second number refers to the first sub-menu, etc.

You can use the number series as a shortcut to reach a specific function directly. For example: Press 2 2 in the main menu and the submenu *Day timer* is shown.

The headings on the following pages include respective number series within brackets.

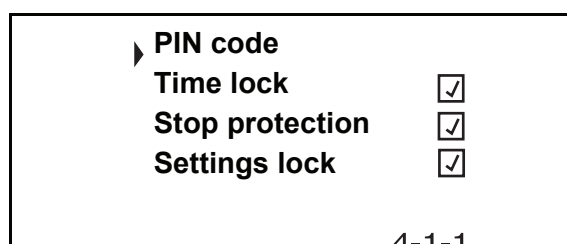


3012-681

Submenus

In some of the submenus there is a box to the right of specific rows. When this box is checked with a tick it means the function is selected.

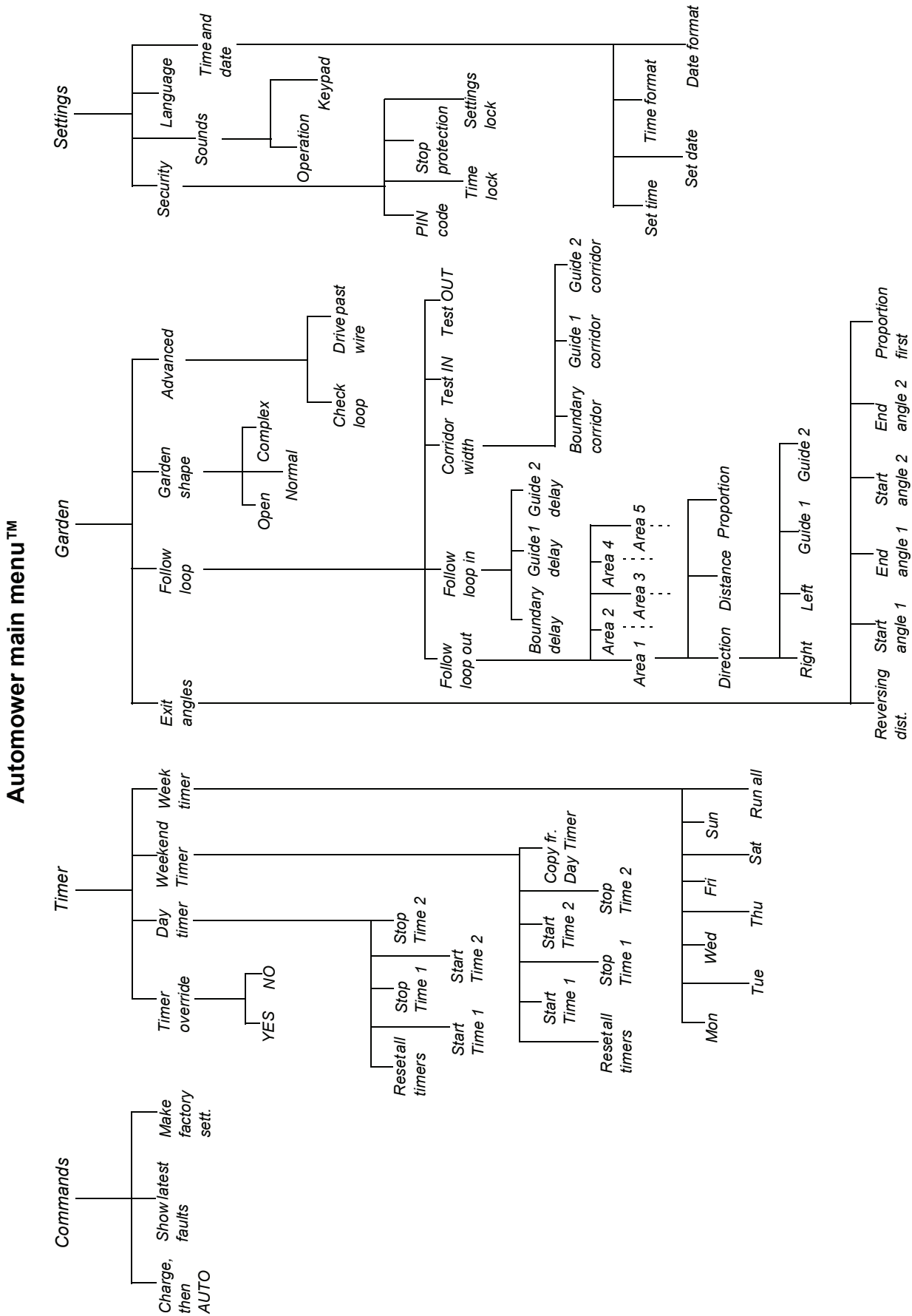
In some of the submenus there is information to the right of specific rows. This information indicates which selection has been made for the function.



3012-685

6. MENU FUNCTIONS

6.2 Automower™ main menu, menu overview



6. MENU FUNCTIONS

6.3 Commands (1)

This option in the main menu allows you to access the following functions on Automower.

- **Charge then AUTO (1-1)**

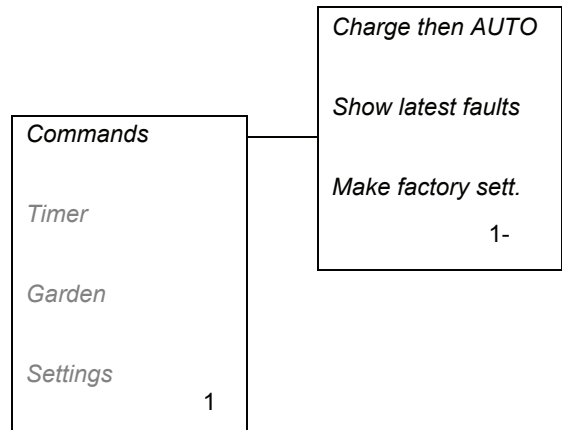
in order for Automower to drive immediately to the charging station, charge the battery and then return to the automatic operating mode. Select the function and press **YES** when the cursor is on Yes.

- **Show latest faults (1-2)**

to show the list of saved fault messages. Browse with the arrow buttons. The list can contain up to 20 fault messages and each message is shown with the date and time.

- **Make factory settings (1-3)**

to restore all settings to their original values. All except the selected language and PIN code are reset. Select the function, enter your PIN code and press **YES** when the cursor is on Yes.



6.4 Timer (2)

The lawn should not be cut too often to obtain the best mowing result. Consequently, it is important to limit the operating time using the timer function if the working area is less than the mower's working capacity. When Automower is allowed to mow too much, the lawn may appear flattened. Besides, the mower is subjected to unnecessary wear.

The timer function is also an ideal means to control during which periods Automower should not mow, for example, for example, at night when the solar cells do not provide additional power or when the children are playing in the garden.

When you set the timer, assume that Automower mows about 1000 ft² per hour.

- **Timer override (2-1)**

to temporarily disconnect the timer function.

- **Day timer (2-2)**

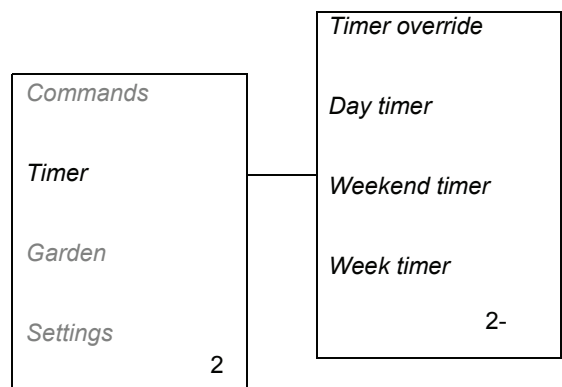
to set the start and stop times.

- **Weekend timer (2-3)**

to set other start and stop times for the days Friday - Sunday.

- **Week timer (2-4)**

to select which days of the week Automower should mow.

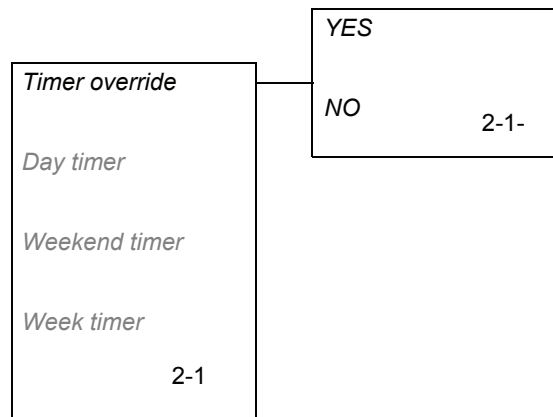


6. MENU FUNCTIONS

Timer override (2-1)

If you set the timer on your Automower, you can use this function to temporarily abandon the settings.

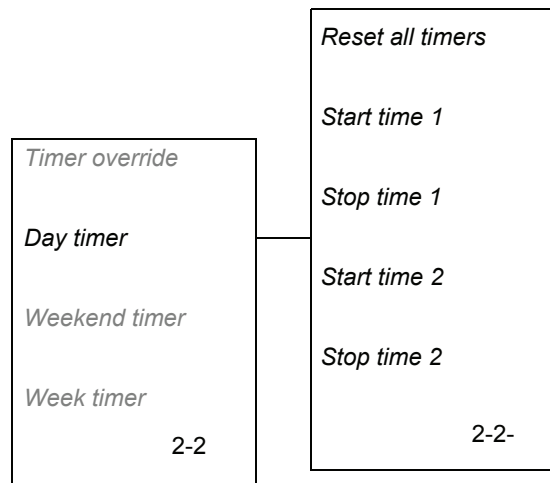
- **YES (2-1-1)**
Move the cursor to **YES** and press **YES** to turn off the timer function.
- **NO (2-1-2)**
Move the cursor to **NO** and press **YES** to turn on the timer function.



Day timer (2-2)

It is possible to set two different start and stop times for each day. Enter the required time in hours and minutes and press **YES** to confirm the entered time.

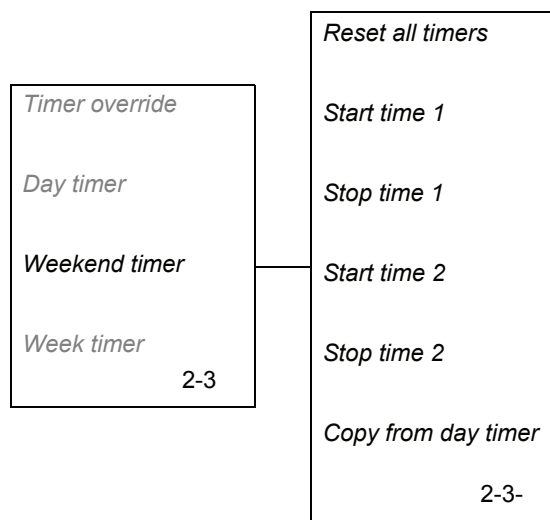
- **Reset all timers (2-2-1)**
To delete all set times: Select the function and press **YES** when the cursor is on **Yes**.
- **Start time 1 (2-2-2)**
- **Stop time 1 (2-2-3)**
- **Start time 2 (2-2-4)**
- **Stop time 2 (2-2-5)**



Weekend timer (2-3)

The *Weekend timer* function controls the times when Automower should mow during the days, Friday - Sunday. When you do not state any times in *Weekend timer*, Automower will mow at the same times on these days as set for other days.

- **Reset all timers (2-3-1)**
To delete all set times: Select the function and press **YES** when the cursor is on **Yes**.
- **Start time 1 (2-3-2)**
- **Stop time 1 (2-3-3)**
- **Start time 2 (2-3-4)**
- **Stop time 2 (2-3-5)**
- **Copy from day timer (2-3-6)**
Press **YES** when asked *Copy?* to transfer all times set in the *Day timer*.



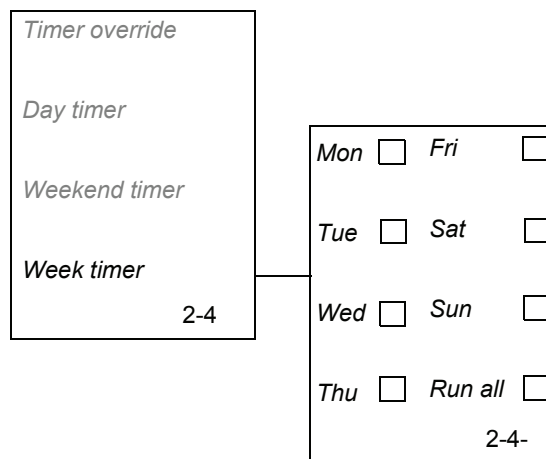
6. MENU FUNCTIONS

Week timer (2-4)

Use the **YES** button to select/deselect the days you would like Automower to mow/not mow. Automower will mow on the days prefixed by a checkmark.

- *Mon* (2-4-1)
- *Tue* (2-4-2)
- *Wed* (2-4-3)
- *Thu* (2-4-4)
- *Fri* (2-4-5)
- *Sat* (2-4-6)
- *Sun* (2-4-7)
- *Run all* (2-4-8)

The function Run all selects all the days. If you would like the mower to mow every day of the week move the cursor to Run all and press **YES**. Then press **YES** again to the question *All ON?*



6.5 Garden (3)

From this option in the main menu you access the driving settings.

- **Exit angles (3-1)**

to set how far Automower should reverse out of the charging station before it turns and in what direction the mower should leave the charging station.

- **Follow loop (3-2)**

to guide the mower to easily reach a remote area of the garden, to make it easier to find the charging station and to determine at what distance the mower shall follow the loop.

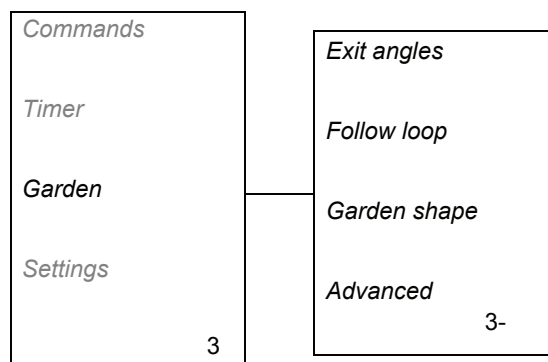
- **Garden shape (3-3)**

to tell Automower which type of garden you have.

- **Advanced (3-4)**

to check that the loop is intact or exactly where in the lawn the wire is buried and to adjust the distance over the boundary wire that Automower shall run.

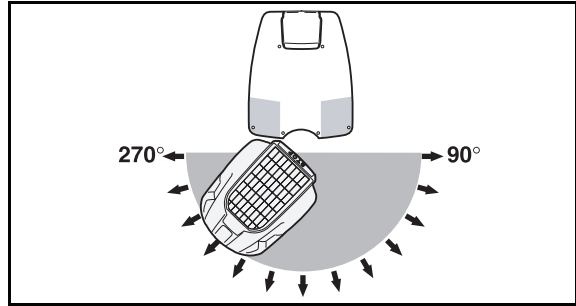
For examples of garden settings, see 7. *Garden example* on page 63.



6. MENU FUNCTIONS

Exit angles (3-1)

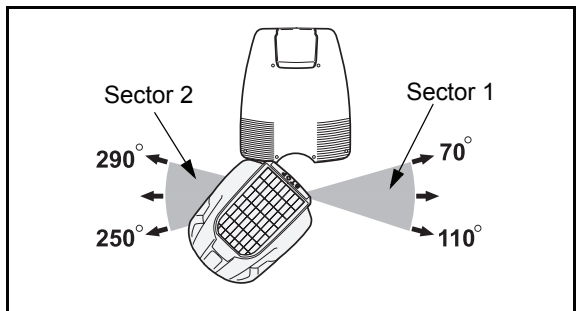
Normally Automower leaves the charging station in a direction within the exit sector 90°-270°, where 90° is called the *Start angle* and 270° is called the *End angle*. By setting the start and end angles, you can set the direction in which Automower is to leave the charging station.



3012-817

The mower can be set for up to two exit sectors. If the charging station is placed in a passage it may be necessary to have two exit sectors, e.g. 70° - 110° and 250° - 290°.

When you use two exit sectors, you also need to state how often the mower should leave the charging station in sector 1. This is done using the *Proportion first* function by stating a percentage. For example, the percentage 75 % means the mower will leave the charging station in sector 1, 75 % of the time and in sector 2, 25 % of the time.



3012-841

- *Reversing distance (3-1-1)*

Specify the number of centimeters you want Automower to reverse before it turns to drive out of the charging station.

The default reversing distance is 60 cm (24").

- *Start angle 1 (3-1-2)*

Specify in degrees where you want the sector/sector 1 to start.

- *End angle 1 (3-1-3)*

Specify in degrees where you want the sector/sector 1 to end.

- *Start angle 2 (3-1-4)*

Specify in degrees where you want the sector 2 to start.

- *End angle 2 (3-1-5)*

Specify in degrees where you want the sector 2 to end.

Reversing dist.

Start angle 1

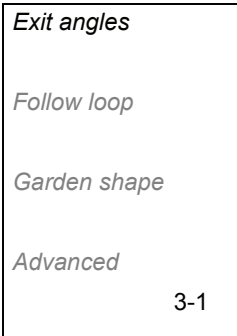
End angle 1

Start angle 2

End angle 2

Proportion first

3-1-



6. MENU FUNCTIONS

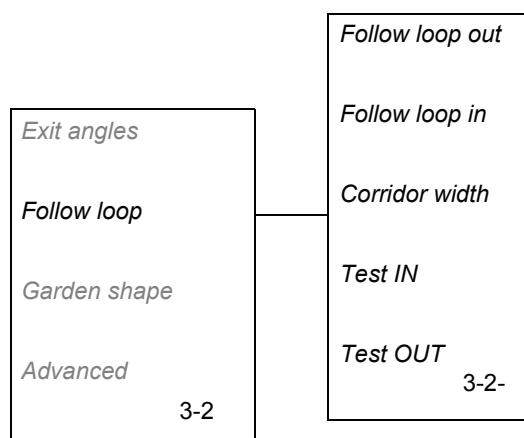
- *Proportion first (3-1-6)*

When you use two exit sectors: Specify a percentage to define on how many occasions Automower should leave the charging station in sector 1.

To test the settings in *Exit angles*: State the value 100 % for *Proportion first* when sector 1 is to be tested. State the value 0 % for *Proportion first* when sector 2 is to be tested. Place Automower in the charging station and select the *Test OUT (3-2-5)* function. The mower will now leave the charging station directly according to the settings under *Exit angles*. Reset the *Proportion first* value when testing is finished. For more information about *Test OUT (3-2-5)*, see page 55.

Follow loop (3-2)

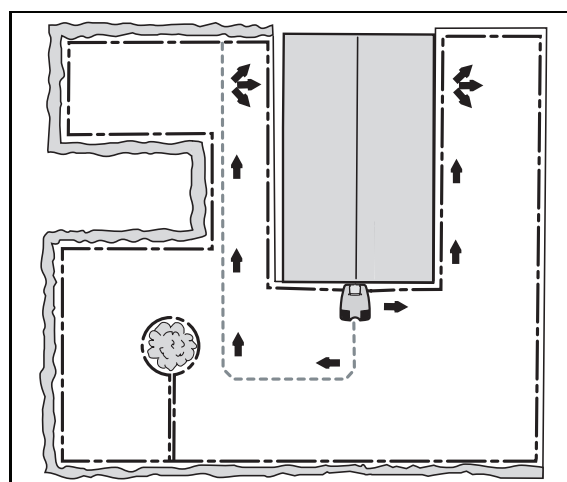
These functions in this sub-menu are for situations when the mower needs to be guided to reach remote areas, to find the charging station more easily, and to determine at what distance the mower shall follow the loop. You will also find test functions here to see how different charge exit settings work and how the mower finds its way into the charging station.



- *Follow loop out (3-2-1)*

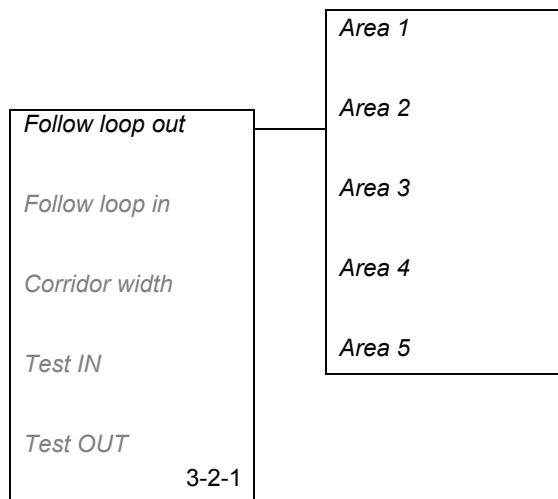
This function means that Automower can be set to follow the boundary wire or a guide wire away from the charging station to reach a more remote area of the garden. This function is very useful in gardens where the front and back are joined by a passage where the charging station cannot be placed.

When this function is activated Automower will follow the boundary wire or guide wire away from the charging station in the set direction. It will start mowing when it reaches the area.



6. MENU FUNCTIONS

Up to five remote areas can be activated: *Area 1*, *Area 2*, *Area 3*, *Area 4* and *Area 5*. Three values need to be stated to activate an area:



- *Direction*

Specify to the right, left, guide 1 or guide 2 depending on which direction the area lies from the charging station. The direction is set looking at the charging station in the approach direction of the mower.

When a guide wire is installed the direction can be specified as the guide wire. The mower will then follow the selected guide wire instead of the boundary wire.

- *Distance*

Specify the number of metres along the boundary wire or guide wire from the charging station to the place in the remote area where the mower shall start mowing.

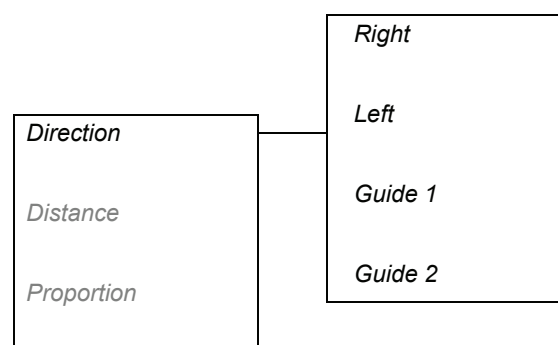
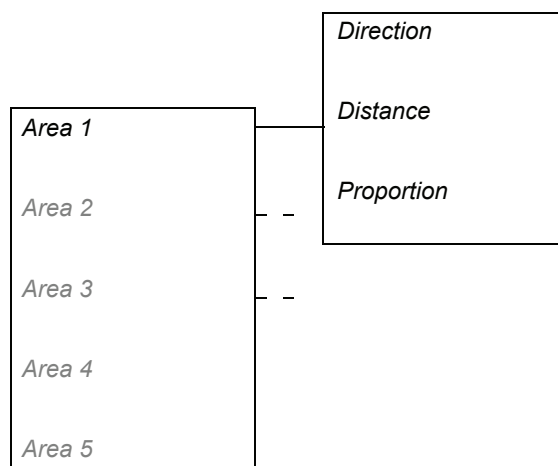
Tip! Use the *Test OUT* (3-2-5) function (see page 55) to find out how far it is to the remote area. The distance, stated in meters, will appear on the mower display.

- *Proportion*

Specify a value for how often of the occasions Automower leaves the charging station it should follow the loop out to the remote area.

For example the value 20 % means that in 20 % of the occasions Automower leaves the charging station, it does it in the direction to the remote area. In the remaining 80 % of the occasions the mower leaves the charging station according to the setting made for its function *Exit angles* (3-1).

If a value of 20 % is specified for Area 1 and 10 % for Area 2, the remaining 70 % is allocated to the selection under *Exit angles* (3-1).



6. MENU FUNCTIONS

- *Follow loop in (3-2-2)*

This function is used to control how Automower searches for the charging station.

Automower always starts the search for the charging station in an irregular search method. In some gardens this is not sufficient for the mower to quickly find the charging station. The search can then be epitomized using the *Follow loop in* function.

When the mower still can not find the charging station after a specific period of irregular searching, it also starts to search for the guide wires and after a further period also the boundary wire to follow one of them into the charging station instead. This time is stated in minutes, and delays searching for guide 1, guide 2 and the boundary wire.

The delay time can be adapted to the shape of the garden in the *Follow loop in* function.

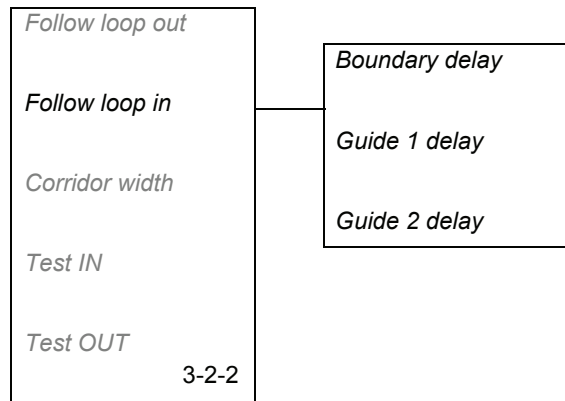
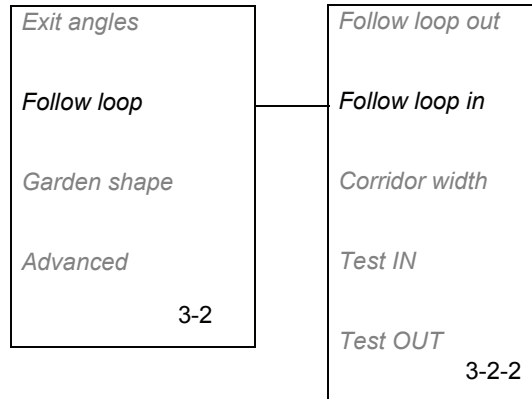
Automower has a default delay setting of 7 minutes for guide 1 and guide 2 and 11 minutes for the boundary wire. A delay of 99 minutes means that the function is deactivated.

If both search methods are to be activated, it is possible for example to set 5 minutes for Guide 1 delay and Guide 2 delay and 9 minutes for Boundary delay. Automower then searches irregularly for 5 minutes and then searches for the guide wires for 4 minutes. If by this time it has not found one of the guide wires, the mower will now search for both the boundary wire and guide wires.

If it is not suitable in the installation to follow the boundary wire, 99 minutes should be specified as the delay for the boundary wire.

It is of course possible to specify the same delay time for both the guide wires and the boundary wire, e.g. 5 minutes. Automower then searches irregularly for 5 minutes and when it does not find the charging station, it continues to search either by following the guide wires or the boundary wire, depending on which one it reaches first. Different delay times can also be chosen for guide 1 and guide 2.

The mower does not change the search method: If the mower starts to follow the boundary wire it will not switch to follow a guide wire.



6. MENU FUNCTIONS

- *Corridor width (3-2-3)*

The *Corridor width* setting defines the distances from the mower's path to the boundary wire or the guide wire when following these to/from the charging station. The area beside the wires used by the mower is called the *Corridor*.

A low corridor width value represents a narrow corridor while a high value represents a wide corridor. With a narrow corridor Automower always runs close to the boundary wire respective guide wire. With a wide corridor Automower varies how it runs, i.e. close to and further from the boundary wire respective guide wire.

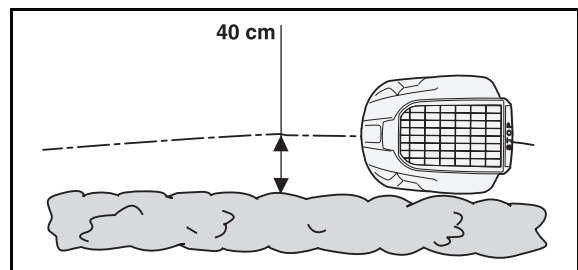
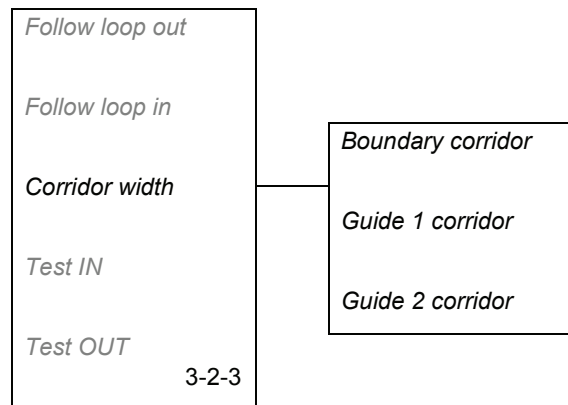
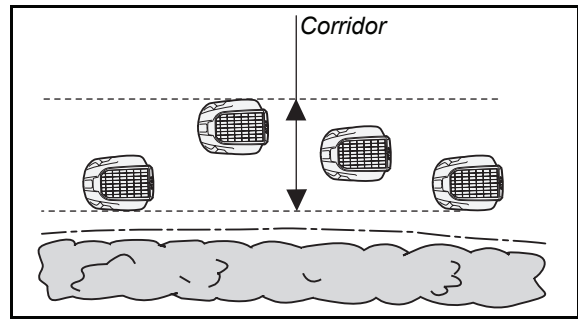
Corridor width is a relative distance and is stated on a scale from 0 to 20. The lower the *Corridor width* value the closer Automower follows the boundary wire and/or guide wire.

Different corridor widths can be set for the boundary wire, guide 1 and on guide 2. The default setting on Automower is set to a value of 10 for both the boundary wire and guide wires.

The higher the stated *Corridor width* value, the less risk there is of tracks forming. However, a high corridor value means that Automower may find it difficult to enter passages.

A garden with large open areas should have a wide *Corridor*, i.e. a high *Corridor width* value. A garden with passages should have a narrow *Corridor*, i.e. a low value for the *Corridor width*.

When the value is set to 0 for the *Corridor width*, Automower will run along the boundary wire, which means it will run with half the mower inside the loop and half the mower outside. As there are often flower beds, hedges and walls along with the boundary wire *Corridor width* 0 is not normally recommended. Should you still like to state this value, the boundary wire must lay 16" from solid objects instead of the normal 14".



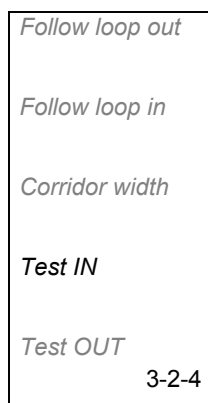
IMPORTANT INFORMATION

The distance at which the mower follows the boundary wire varies depending on how the working area appears. You should perform some tests to find the highest possible *Corridor width*. Use the *Test IN (3-2-4)* function to try different values.

6. MENU FUNCTIONS

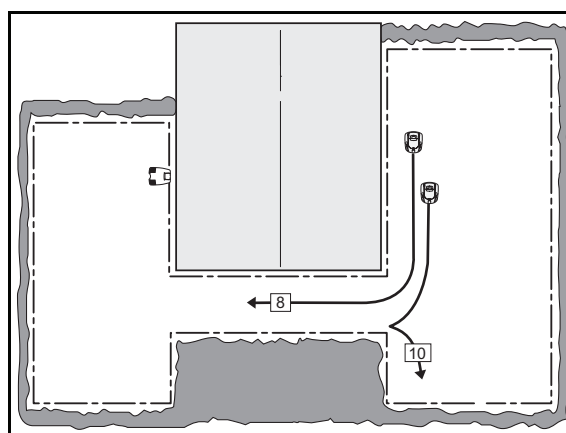
- *Test IN (3-2-4)*

The *Test IN (3-2-4)* function is used to test how Automower finds its way into the charging station.



When the function is selected the mower will immediately follow the boundary wire, guide 1 or guide 2, depending on which one it finds first, in to the charging station. If there is a passage and the mower can not run through it, the *Corridor width* value is set too high. When *Test IN* is activated, the mower runs at the greatest distance from the wire that the selected corridor width permits.

The adjacent picture shows how Automower negotiates a passage when a value of 8 is set for the *Corridor width*, but not when a value of 10 is set.



IMPORTANT INFORMATION

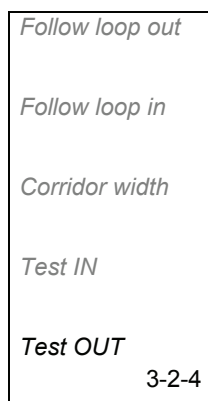
When *Test IN (3-2-4)* is used, the house icon on the display will come on and the mower will remain in the charging station. Press the Home button to return to operations.

- *Test OUT (3-2-5)*

The *Test OUT (3-2-5)* function is used to try different charge exit settings and to find out how far it is from the charging station to a remote area.

To test the settings for *Follow loop out (3-2-1)*:

- State the value 100 % for *Proportion* for the remote area to be tested and 0 % for the other areas. Place Automower in the charging station and select *Test OUT (3-2-5)*. The mower will now leave the charging station directly according to the stated direction and start mowing after the stated distance. Reset the *Proportion* values when testing is finished.



6. MENU FUNCTIONS

To find out the distance from the charging station to a remote area:

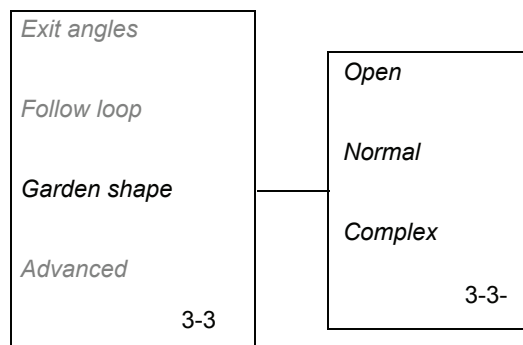
- State a distance that easily exceeds the true distance. The maximum distance that can be stated is 500 meters (1600 ft). State the value 100 % for *Proportion* for the area to which the distance is to be measured and 0 % for the other areas. Place Automower in the charging station and select *Test OUT (3-2-5)*. The mower will now leave the charging station in keeping with the stated direction. Stop the mower after the required distance, open the solar cell panel and read off the distance stated in metres on the mower's display. Enter the number of metres shown in Distance for the area in question. Reset the *Proportion* values when testing is finished.

Garden shape (3-3)

Automower can be set according to three garden shapes: *Open*, *Normal* and *Complex*.

This setting affects how Automower covers a working area when it mows. Above all it influences the turning angles and how often the mower changes direction. The *Open* setting optimizes the pattern of movement for an open garden. If the garden contains a lot of small areas linked with passages a better function will be obtained with the *Complex* setting. Select:

- *Open (3-3-1)*
for an open lawn area with few obstacles and no passages.
when steep slopes give an uneven mowing result.
- *Normal (3-3-2)*
for an average number of obstacles and/or passages.
- *Complex (3-3-3)*
for a large lawn area and large number of obstacles and/or passages.



6. MENU FUNCTIONS

Advanced (3-4)

- *Check loop (3-4-1)*

This function allows you to check the mower's signal reception from the boundary wire, and to determine exactly where in the lawn the boundary wire is routed.

The sensor used for this function is concealed inside the mower, in front of the cutting height adjustment cover. The sensor detects the position of Automower in relation to the loop. *Inside, Outside* or *No loop signal* are shown on the display. If the mower is inside the loop, *Inside* is shown, etc. If the mower is set with sound on, a constant beep is also heard when the mower is outside and a pulsating beep when it cannot detect a signal. If the mower is inside the loop no beep is heard.

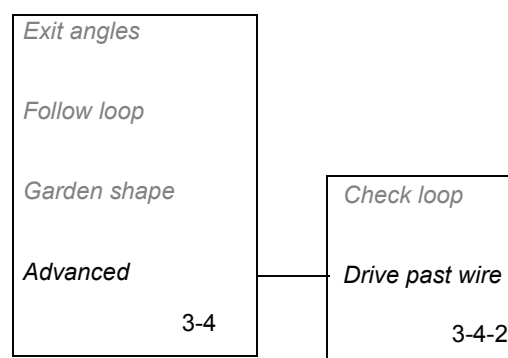
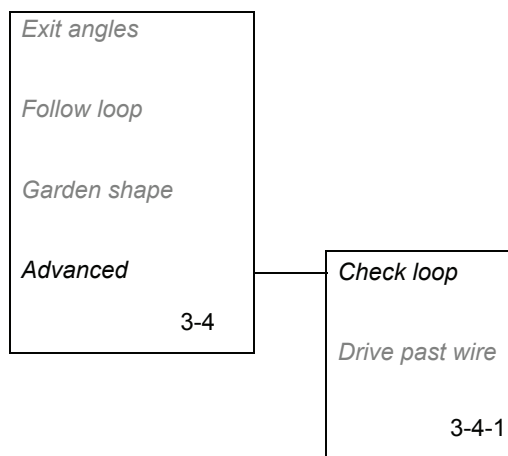
To:

- Check the signal reception: Move the cursor to *Check loop* and press **YES**.
- Find wire: Move Automower over the outer edge of the working area and select *Check loop*. Repeat until you find the boundary between *Inside* and *Outside*. You now know where the wire is.

- *Drive past wire (3-4-2)*

The front of Automower always passes the boundary wire by a specific distance before the mower turns. The default distance is 27 cm (11"), but this can be changed if required. The minimum value is 15 cm (6") and the maximum value is 50 cm (20").

To adjust the distance: Move the cursor to *Drive past wire* and press **YES**. Now specify the number of centimeters you want Automower to pass the boundary wire.

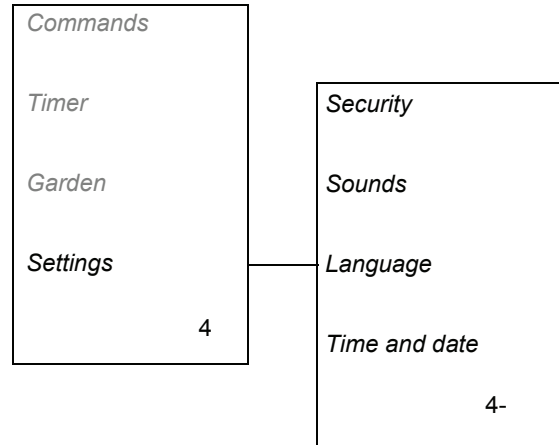


6. MENU FUNCTIONS

6.6 Settings (4)

From this option in the main menu you access the settings.

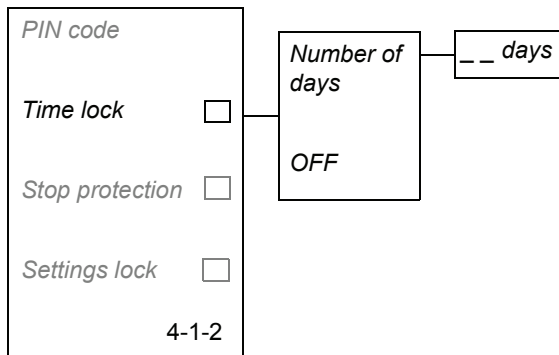
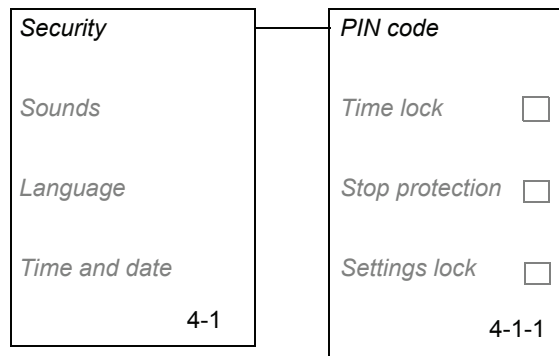
- Security (4-1)**
 to make settings concerning the PIN code, stop protection, settings lock and alarms. The PIN code must be specified for the *Security* menu to be shown.
- Sounds (4-2)**
 to activate/deactivate audio messages for mower activities and to activate/deactivate keypad sounds.
- Language (4-3)**
 to select the menu language.
- Time and date (4-4)**
 to set the current time and day as well as the required time and date format.



Security (4-1)

- PIN code (4-1-1)**
 Via this function you can change your PIN code at any time.
 - To change the PIN code: Move the cursor to *PIN code* and press **YES**. Place Automower in the charging station. Enter the new PIN code and press **YES**. Enter the same code again to confirm, and press **YES**.

When the PIN code has been changed, the message *PIN code changed* is displayed for a few seconds. The *Security* menu will then appear again.
- Time lock (4-1-2)**
 This function partly involves Automower stopping to mow after a predetermined number of days and not continuing until the correct PIN code has been entered, and partly that the PIN code must be entered when the main switch is set to the *ON* position. The default setting on Automower is 30 days, but can be changed as required.



IMPORTANT INFORMATION

Time lock is the most important theft-prevention function. Accordingly, it is recommended to have this activated.

6. MENU FUNCTIONS

To:

- **Activate:** Move the cursor to *Time lock* and press **YES**. Now move the cursor to *Number of days* and press **YES**. Specify how many days you would like Automower to mow before it requests the PIN code. Finish by pressing **YES**.

When the selected number of days has elapsed, Automower completes mowing and charges the battery. The message *Enter PIN code* is then shown on the display. You then enter your code and press **YES**.

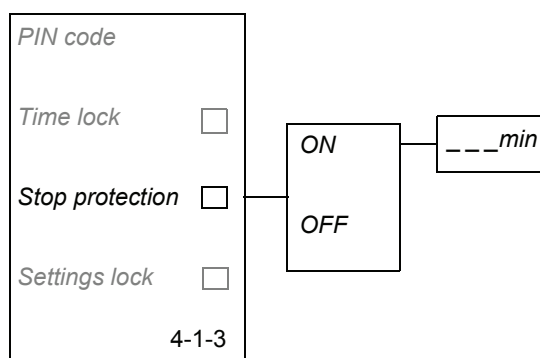
In addition, Automower will now request the PIN-code each time the main switch is switched to ON.

- **Deactivate:** Move the cursor to *Time lock* and press **YES**. Now move the cursor to *OFF* and press **YES**.
- *Stop protection (4-1-3)*

This function means that the first number of the PIN code must be specified within 10 seconds after the **STOP** button has been pressed. If the correct number is not entered after three attempts, the alarm sounds. The alarm can then be stopped by entering the complete PIN code.

IMPORTANT INFORMATION

The alarm can be activated on the mower using the *Stop protection* function. It is recommended that this function is used.



To:

- **Activate:** Move the cursor to *Stop protection* and press **YES**. Select *ON* to activate and press **YES**. Then specify for how long the alarm should sound, by answer the question *Duration of alarm?*.
- **Deactivate:** Move the cursor to *Stop protection* and press **YES**. Select *OFF* to deactivate and press **YES**. When you select *OFF*, the alarm function is also deactivated.

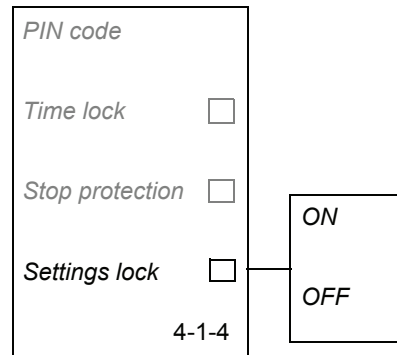
6. MENU FUNCTIONS

- *Settings lock (4-1-4)*

This function prevents any one who does not know the PIN-code from changing any of the settings. It also prevents the *A*, *B* or *C* programs from being selected or saved.

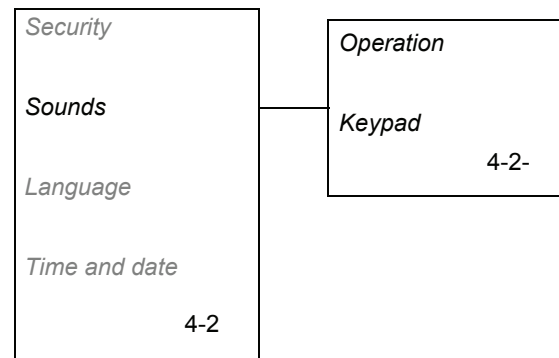
To:

- Activate: Move the cursor to *Settings lock* and press **YES**. Now select *ON* to activate.
- Deactivate: Move the cursor to *Settings lock* and press **YES**. Now select *OFF* to deactivate the function.



Sounds (4-2)

A number of audio messages are used to indicate what Automower is currently doing.

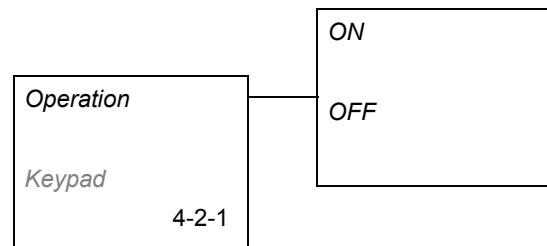


- *Operation (4-2-1)*

To activate: Move the cursor to *Operation* and press **YES**. Select *ON* and press **YES**.

To deactivate: Move the cursor to *Operation* and press **YES**. Select *OFF* and press **YES**.

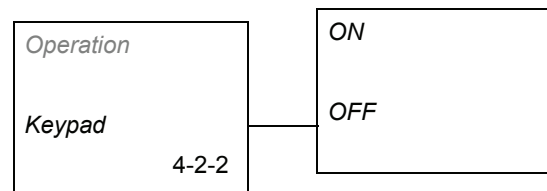
5 beeps are heard over 2 seconds when the blade disc starts. This sound can not be deactivated.



- *Keypad (4-2-2)*

To activate: Move the cursor to *Keypad* and press **YES**. Select *ON* and press **YES**.

To deactivate: Move the cursor to *Keypad* and press **YES**. Select *OFF* and press **YES**.



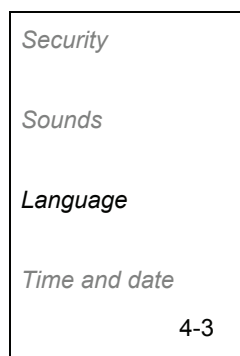
6. MENU FUNCTIONS

Sound	Significance
2 beeps/10 seconds	Charging
5 beeps over 2 seconds	Starting blade disc
3 beeps/second	Fault message
One long beep	Blade disc blocked
Short click sound	A button on the keypad has been pressed
Muffled long beep	Incorrect input
	The mower is removed from the charging station manually while charging is in progress.
Short double beep	A change to the setting has been made
	The mower is placed in the charging station manually.

Language (4-3)

Using this function you can change the language selection you made when Automower was first started.

To select the language: Move the cursor to *Language* and press **YES**. Now move the cursor to the required language and press **YES**.



6. MENU FUNCTIONS

Time and date (4-4)

Using this function you can change the time and date on Automower.

You can also change the format selections you made when Automower was first started via this function.

- ***Set time (4-4-1)***

Move the cursor to *Set time* and press **YES**. Now enter the correct time and finish with **YES**.

- ***Set date (4-4-2)***

Move the cursor to *Set date* and press **YES**. Now enter the correct date and finish with **YES**.

- ***Time format (4-4-3)***

Move the cursor to *Time format* and press **YES**. Move the cursor to the required time format:

- 12h
- 24h

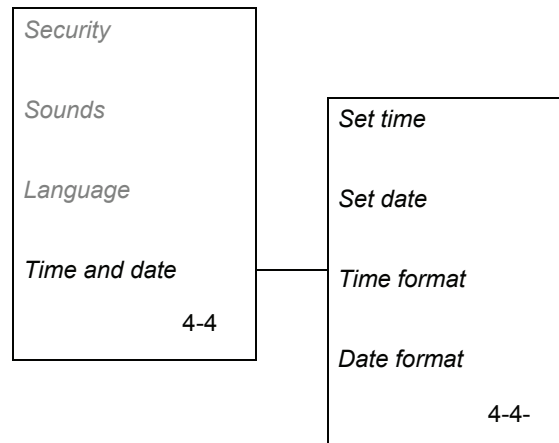
Finish by pressing **YES**.

- ***Date format (4-4-4)***

Move the cursor to *Date format* and press **YES**. Move the cursor to the required date format:

- *YY-MM-DD* (year-month-day)
- *MM-DD-YY* (month-day-year)
- *DD-MM-YY* (day-month-year)

Finish by pressing **YES**.



7. GARDEN EXAMPLE

7. Garden example

- Proposed installation and settings

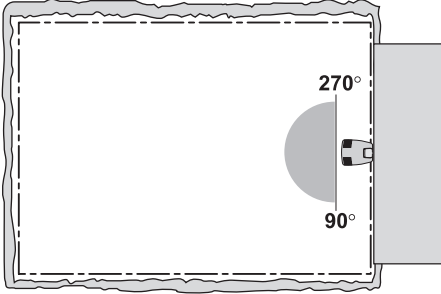
The behavior of the mower is controlled by the settings that are made. Adapting the mower's garden settings according to the shape of the garden makes it easier for the Husqvarna Automower™ to frequently reach all parts of the garden and in doing so achieve a perfect mowing result.

Different gardens require different settings. A number of garden examples and proposed installations and settings are presented on the following pages. Functions where the settings deviate from the mower's default settings are shown in **bold**.

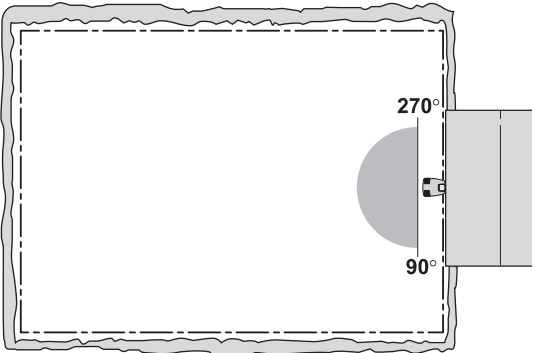
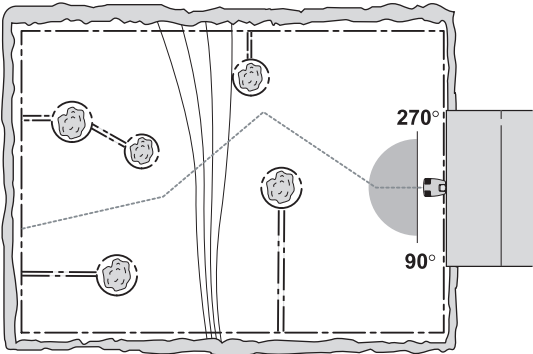
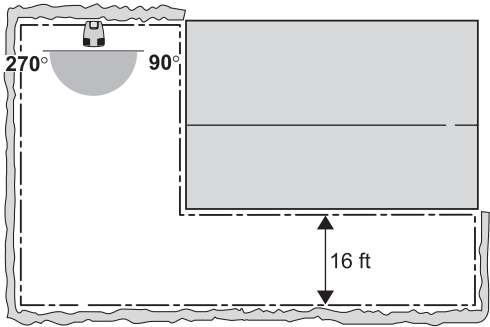
For further and more detailed information about the different settings, see chapter 6. *Menu functions* on page 45.

IMPORTANT INFORMATION

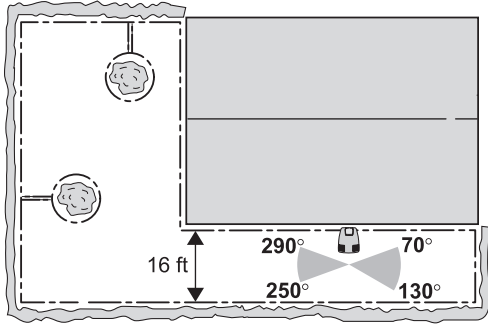
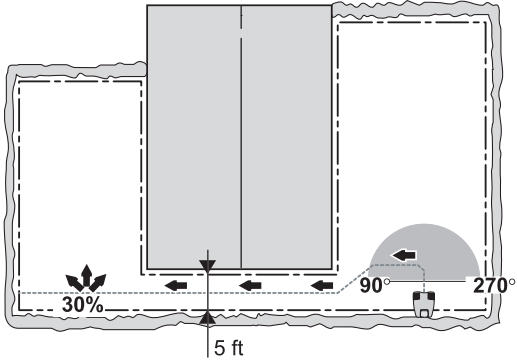
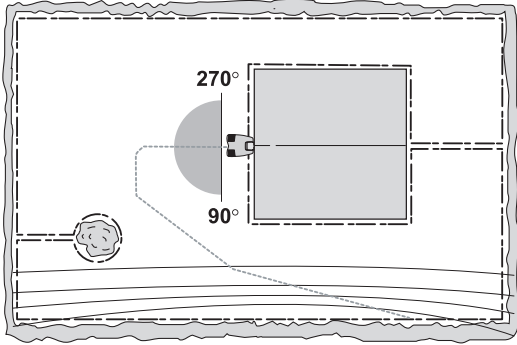
The default setting for Automower has been chosen to work on as many different gardens as possible. The settings only need to be adjusted when special installation conditions exist, for example, narrow passages.

Proposals for installation and settings	
<p>Area: 0.1 acre. No default settings, except Timer, need to be changed.</p> <p>Timer: Operating time of 4 hours per day.</p> <p>Exit angles: One sector 90° - 270°.</p> <p>Search method: Irregular.</p> <p>Delay: Guide1, 7 minutes, Guide2, 7 minutes and boundary wire 11 minutes.</p> <p>Corridor width: 10</p>	 <p data-bbox="1374 1765 1437 1783">3012-542</p>

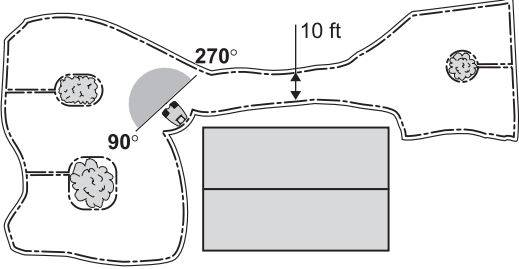
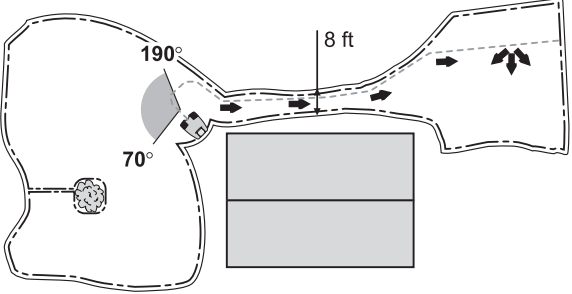
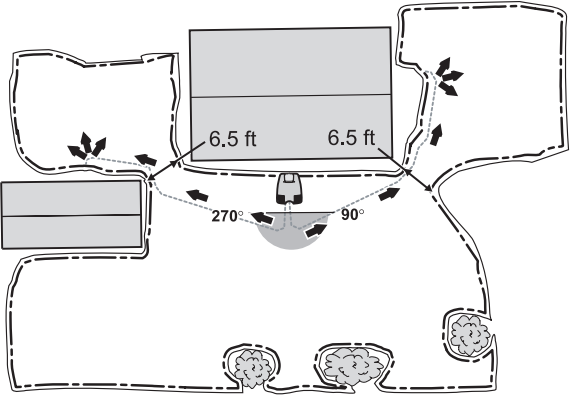
7. GARDEN EXAMPLE

Proposals for installation and settings	
<p>Area: 0.5 acre. No guide wire is necessary.</p> <p>Timer: Operating time of 20 hours per day.</p> <p>Exit angles: One sector 90° - 270°.</p> <p>Search method: Irregular and Follow boundary wire in.</p> <p>Delay: Guide1, 7 minutes, Guide2, 7 minutes and boundary wire 11 minutes.</p> <p>Corridor width: Boundary wire 20.</p>	 <p style="text-align: right;">3012-543</p>
<p>Area: 0.5 acre. A number of islands and a steep slope along the boundary wire. Guide wire recommended.</p> <p>Timer: Operating time of 20 hours per day.</p> <p>Exit angles: One sector 90° - 270°.</p> <p>Search method: Irregular and Follow guide wire in.</p> <p>Delay: Guide1, 7 minutes, Guide2, 7 minutes and boundary wire 99 minutes. Automower is never permitted to follow the boundary wire.</p> <p>Corridor width: Guide1 20, Guide2 20.</p>	 <p style="text-align: right;">3012-544</p>
<p>Area: 0.15 acre. L-shaped garden with the charging station placed in the large open area. No guide wire is necessary.</p> <p>Timer: Operating time of 7 hours per day.</p> <p>Exit angles: One sector 90° - 270°.</p> <p>Search method: Irregular and Follow boundary wire in.</p> <p>Delay: Guide1, 7 minutes, Guide2, 7 minutes and boundary wire 11 minutes.</p> <p>Corridor width: Boundary wire 20.</p>	 <p style="text-align: right;">3012-545US</p>

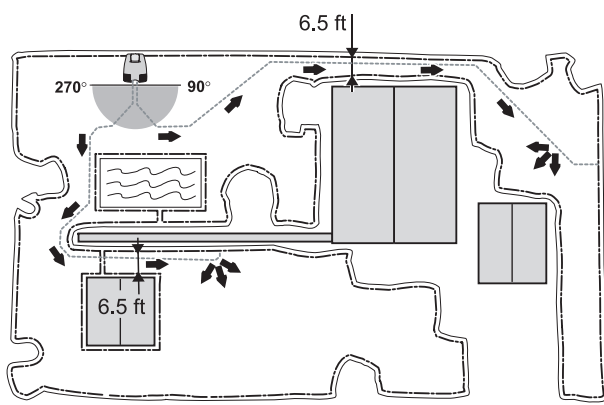
7. GARDEN EXAMPLE

Proposals for installation and settings	
<p>Area: 0.15 acre. L-shaped garden with the charging station placed in the narrow area. There are two islands. No guide wire is necessary.</p> <p>Timer: Operating time of 7 hours per day.</p> <p>Exit angles: Sector 1 70° - 130° and Sector 2 250° - 290°. <i>Proportion first 10 %.</i></p> <p>Search method: Irregular and Follow boundary wire in.</p> <p>Delay: Guide1, 7 minutes, Guide2, 7 minutes and boundary wire 11 minutes.</p> <p>Corridor width: 10</p>	 <p style="text-align: right;">3012-546US</p>
<p>Area: 0.17 acre. U-shaped garden with the charging station placed on one of the large open areas. Guide wire recommended through the passage.</p> <p>Timer: Operating time of 8 hours per day.</p> <p>Exit angles: One sector 90° - 270°.</p> <p>Follow loop out: Direction Guide 1, Distance 25 meters (80 ft) and <i>Proportion 30 %.</i></p> <p>Search method: Irregular and Follow guide wire in.</p> <p>Delay: Guide1, 4 minutes, Guide2, 7 minutes and boundary wire 99 minutes. Automower is never permitted to follow the boundary wire.</p> <p>Corridor width: Guide1 3.</p>	 <p style="text-align: right;">3012-676US</p>
<p>Area: 0.20 acre. Rectangular garden with the charging station placed by an island. A large part of the boundary wire is routed on a slope that is steeper than 10 %. Guide wire recommended.</p> <p>Timer: Operating time of 9 hours per day.</p> <p>Exit angles: One sector 90° - 270°.</p> <p>Search method: Irregular and Follow guide wire in.</p> <p>Delay: Guide1, 7 minutes, Guide2, 7 minutes and boundary wire 99 minutes. Automower is never permitted to follow the boundary wire.</p> <p>Corridor width: Guide1 20.</p>	 <p style="text-align: right;">3012-548</p>

7. GARDEN EXAMPLE

Proposals for installation and settings	
<p>Area: 0.12 acre. There are several islands. No guide wire is necessary. The mower's default settings do not need to be changed.</p> <p>Timer: Operating time of 6 hours per day.</p> <p>Exit angles: One sector 90° - 270°.</p> <p>Search method: Irregular.</p> <p>Delay: Guide1, 7 minutes, Guide2, 7 minutes and boundary wire 11 minutes.</p> <p>Corridor width: 5</p>	 <p style="text-align: right;">3012-527US</p>
<p>Area: 0.25 acre. There is one small island. Guide wire recommended through the passage.</p> <p>Timer: Operating time of 12 hours per day.</p> <p>Exit angles: One sector 70° - 190°.</p> <p>Follow loop out: Direction Guide 1, Distance 20 m (65 ft) and Proportion 25 %.</p> <p>Search method: Irregular, Follow guide wire in and Follow boundary wire in.</p> <p>Delay: Guide1, 7 minutes, Guide2, 7 minutes and boundary wire 11 minutes.</p> <p>Corridor width: Guide1 7, boundary wire 20.</p>	 <p style="text-align: right;">3012-528US</p>
<p>Area: 0.5 acre. Two guide wires are recommended.</p> <p>Timer: Operating time of 24 hours per day.</p> <p>Exit angles: One sector 90°-270°.</p> <p>Follow loop out: Area 1; Direction Guide 1, Distance 30 m (100 ft) and Proportion 15 %. Area 2; Direction Guide 2, Distance 30 m (100 ft) and Proportion 30 %.</p> <p>Search method: Irregular, Follow guide wire in and Follow boundary wire in.</p> <p>Delay: Guide1, 2 minutes, Guide2, 2 minutes and boundary wire 11 minutes.</p> <p>Corridor width: Guide1 4, Guide2 4 and boundary wire 6.</p>	 <p style="text-align: right;">3012-743US</p>

7. GARDEN EXAMPLE

Proposals for installation and settings	
<p>Area: 0.5 acre. Two guide wires are recommended.</p> <p>Timer: Operating time of 24 hours per day.</p> <p>Exit angles: One sector 90° - 270°.</p> <p>Follow loop out: Area 1; <i>Direction Guide 1, Distance 40 m (130 ft) and Proportion 20 %.</i> Area 2; <i>Direction Guide 2, Distance 30 m (100 ft) and Proportion 40 %.</i></p> <p>Search method: Irregular, Follow guide wire in and Follow boundary wire in.</p> <p>Delay: Guide1, 2 minutes, Guide2, 2 minutes and boundary wire 11 minutes.</p> <p>Corridor width: Guide1 8, Guide2 8 and boundary wire 8.</p>	 <p>The diagram illustrates a robot's navigation path in a garden. A dashed line represents the boundary wire. Two solid lines represent guide wires. A robot is shown at the top left, with two exit angles marked: 270° and 90°. The path follows the boundary wire, then turns to follow Guide 1, then Guide 2, and finally returns to the boundary wire. Two rectangular areas are shaded, with a 6.5 ft dimension indicated for each. The number 3012-687US is printed in the bottom right corner of the diagram area.</p>

8. MAINTENANCE

8. Maintenance

Check and clean the Husqvarna Automower™ regularly and replace worn parts if necessary to improve operating reliability and to ensure a longer service life. For further information on cleaning, see 8.5 *Cleaning* on page 70.

During the initial period Automower is used the blade disc, skid plate and blades should be checked once a week. If the amount of wear during this period has been low, the inspection interval can be increased.

It is important that the blade disc rotates easily. In addition the skid plate should rotate easily in relation to the blade disc. The edges of the blades should not be damaged. The service life of the blades depends on:

- Operating time and size of the working area.
- Type of grass.
- Type of soil.
- The presence of objects such as cones, windfalls, toys, tools, stones, roots and the like.

The service life can vary greatly, but is normally 2 - 4 weeks of operation over areas larger than 0.25 acre and longer in smaller areas. To replace the blades, see 8.6 *Replacing the blades* on page 71.

IMPORTANT INFORMATION

Working with dull blades gives a poorer mowing result. The edges of the grass are not cut clean and more energy is needed resulting in Automower not mowing such a large area.

8.1 Battery

The battery is maintenance-free, but has a limited life span of 1 - 4 years.

Battery life is dependent on the length of the season and how many hours per day Automower is used. A long season or many hours of use per day, means that the battery must be replaced more regularly.

IMPORTANT INFORMATION

Charge the battery fully at the end of the season before winter storage.

8. MAINTENANCE

8.2 Winter storage

Automower™

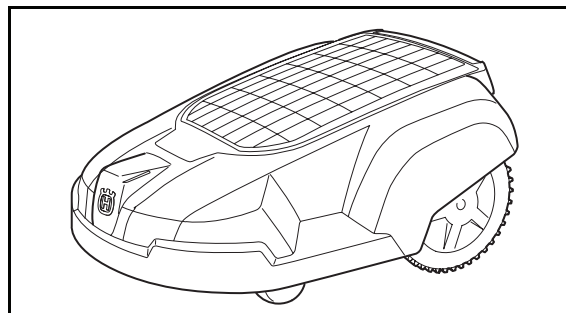
Automower must be carefully cleaned before winter storage, see 8.5 *Cleaning* on page 70.

Charge the battery fully before winter storage. Turn the main switch to the *OFF* position.

It is also recommended to fully charge the battery at some time during the winter to increase the battery life. The charging station must then be connected to a 120 V wall socket via the low voltage cable and transformer (with or without connecting the boundary wire). Now place the mower in the charging station, press down the **STOP** button, open the solar cell panel and set the main switch in the *ON* position. The charger should be charged for about 24 hours.

Remove the mower from the charging station and turn *OFF* main switch.

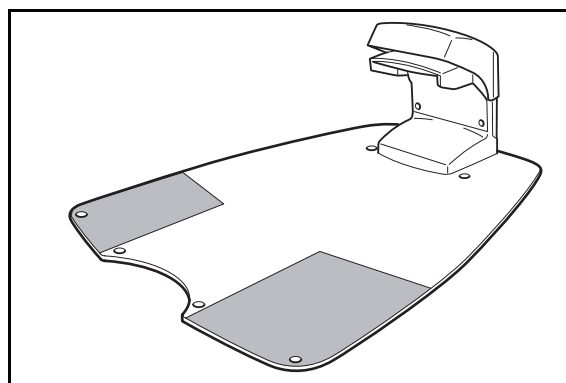
Store the mower standing on all four wheels in an area that is dry and free from frost, preferably in the original packaging, or hung on the wall with the help of the Automower wall bracket (504 82 13-01).



3012-815

Charging station

If possible store the charging station, transformer and low voltage cable indoors. The boundary wire can be left in the ground. If the charging station is taken in you should protect the ends of the boundary wire from moisture by placing them, for example, in a tin with grease. If indoor storage is not possible the boundary wire should remain connected. The charging station should remain connected to the mains supply.



3012-509

8.3 Service

Take your Automower to a dealer for a service before winter storage.

During a service the dealer can clean the mower thoroughly, test its function and components as well as replace wear parts if necessary. If new functions have been added during the year your dealer can also load Automower with new software.

8.4 After winter storage

Check whether Automower, contact strips and charging strips need to be cleaned before using. If the charging or contact strips appear to be burnt, clean them using fine grade emery cloth. Check that the mower's time and date are correct.

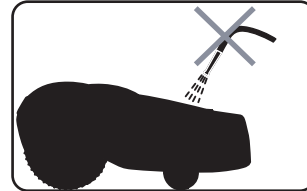
8. MAINTENANCE

8.5 Cleaning

It is important to keep Automower clean. A mower with a large amount of clippings negotiates slopes very poorly. It is recommended to clean using a brush and a spray with water.

IMPORTANT INFORMATION

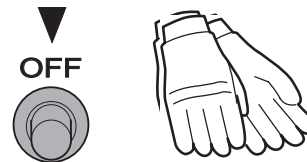
Never use a high-pressure washer or even running water to clean the Automower. Solvent must never be used when cleaning.



3012-271

Underframe and blade disc

1. Set the main switch to the *OFF* position.
2. Wear protective gloves.

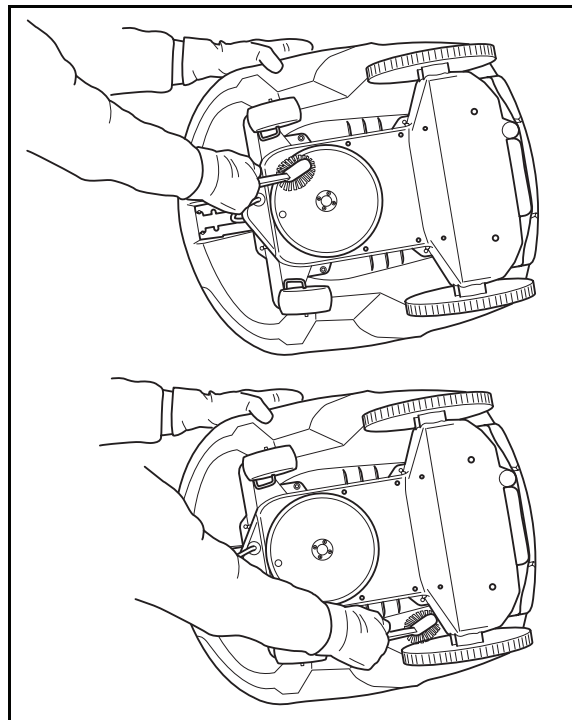


3012-288
3012-272

3. Lift Automower onto its side.
4. Clean the blade disc and underframe using, e.g. a dish-brush.

At the same time, check that the blade disc rotates freely in relation to the motor support, directly above. Check also that the skid plate rotates freely in relation to the blade disc.

If long blades of grass or other objects work their way in this can brake the blade disc and/or skid plate. Even a slight braking effect leads to a higher consumption of energy and longer mowing times, and at the worst will prevent the mower from being able to mow a large lawn. If more thorough cleaning is necessary the skid plate, and possibly the blade disc, must be dismantled. If necessary, contact your dealer.



3012-393
3012-394

Chassis

Clean the underside of the chassis. Brush or wipe with a damp cloth.

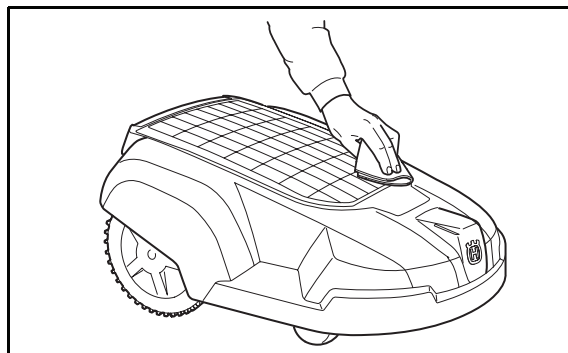
Wheels

Clean around the front and rear wheels and around the front wheel suspension.

8. MAINTENANCE

Body

Use a damp, soft sponge or cloth to clean the body and solar cell panel. If the body and solar cell panel are very dirty, it may be necessary to use a soap solution or washing-up liquid.



3012-844

8.6 Replacing the blades



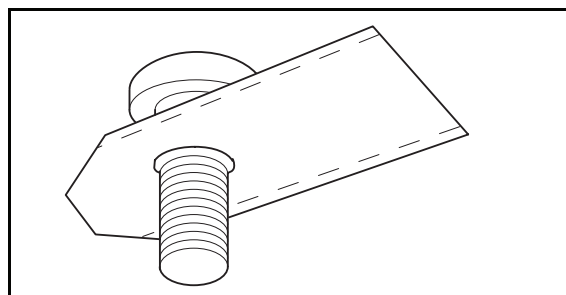
WARNING

Always use original blades and screws when replacing. Only replacing the blades and reusing the screw can result in the screw wearing during mowing and shearing off. The blades can then be thrown out and cause serious injury.

There are three blades on Automower, which are screwed into the blade disc. The blades have two edges to ensure a longer service life. The blade disc rotates alternately to the left and alternately to the right.

All three blades and screws must be replaced at the same time to obtain a balanced mowing system.

There are two blade variants with different characteristics to choose from as accessories. Contact your dealer for further information.

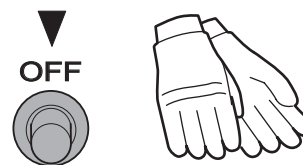


3012-422

8. MAINTENANCE

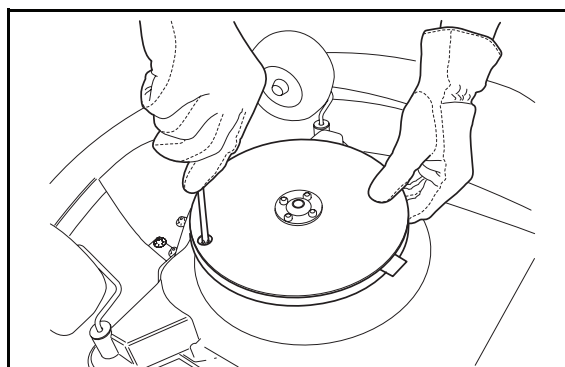
To replace the blades:

1. Set the main switch to the *OFF* position.
2. Wear protective gloves.



3012-288
3012-272

3. Turn Automower upside down.
4. Rotate the skid plate so that its hole aligns with the screw for the blade.
5. Unscrew the blade. Use a straight slot or cross-tip screwdriver.



3012-260

6. Pry apart the skid plate and blade disc a little and remove the blade and screw.
7. Screw tight the new blade.

9. TROUBLE SHOOTING

9. Trouble shooting

9.1 Fault messages

A number of fault messages are listed below that can be shown on the Husqvarna Automower™. If the same fault occurs frequently: contact your dealer.

Fault message	Cause	Action
<i>Left wheel motor blocked</i>	Grass or other object has wrapped around the drive wheel.	Check the drive wheel and remove the grass or other object.
<i>Right wheel motor blocked</i>	Grass or other object has wrapped around the drive wheel.	Check the drive wheel and remove the grass or other object.
<i>Blade disc blocked</i>	Grass or other object has wrapped around the blade disc.	Check the blade disc and remove the grass or other object.
<i>No loop signal</i>	The transformer is not connected to the mains supply or its miniature circuit-breaker has tripped.	Check the wall socket connection and whether the miniature circuit-breaker has tripped. Reset the miniature circuit-breaker by removing the transformer's power cord from the wall socket, wait 10 seconds and then reconnect the power cord in the wall socket again.
	Boundary wire broken.	Check the signal given by the LED on the charging station. If it flashes the loop is damaged. Repair the broken cable using an original waterproof coupler.
	The connection between Automower and the charging station has been lost.	Place Automower in the charging station and change the PIN-code via Settings - Security - PIN code (shortcut 4-1-1). You can use the same PIN code as earlier.
	This may be due to the boundary wire being routed in the wrong direction around an island, which blanks out the signal.	Check that the boundary wire has been routed correctly.
	If this occurs in isolated areas it may be due to interference from metallic objects (perimeter fence, reinforcement bar) or buried cables in the vicinity.	Try moving the boundary wire.
<i>Trapped</i>	Automower has got caught in something.	Free Automower and rectify the reason for it getting trapped.

9. TROUBLE SHOOTING

Fault message	Cause	Action
<i>Outside working area</i>	If this occurs in isolated areas it may be due to interference from metallic objects (perimeter fence, reinforcement bar) or buried cables in the vicinity.	Try moving the boundary wire.
	The working area slopes too much.	Check that the boundary wire has been routed correctly.
	The boundary wire has been routed the wrong way around an "island".	Check that the boundary wire has been routed in accordance with the installation instructions.
	The boundary wire is too close to the edge of the working area.	Check that the boundary wire has been routed correctly.
<i>Low battery voltage</i>	Automower cannot find the charging station.	Change the search settings according to the <i>Follow loop in (3-2-2)</i> on page 53.
		Change the position of the charging station.
	The battery is spent.	Expected life is 1 - 4 years. Contact your dealer to replace the battery.
<i>Wrong PIN code</i>	Wrong PIN code has been entered. Three attempts are permitted, the keypad is then blocked for five minutes.	Enter the correct PIN code.
<i>No drive</i>	Automower has got caught in something.	Free the mower and rectify the reason for the lack of drive. If it is due to wet grass, wait until the lawn has dried before using the mower.
<i>No contact in charging station</i>	Automower makes poor contact with the contact strips in the charging station.	Check that Automower has docked correctly in the charging station.
<i>Charging station blocked</i>	The contact between the charging strips and contact strips may be poor and Automower has made a number of charging attempts.	Place Automower in the charging station and check that the charging strips and contact strips make good contact.
	An object is obstructing Automower.	Remove the object.
<i>Stuck in charging station</i>	An object is preventing Automower from reversing out of the charging station.	Remove the object.
<i>Upside down</i>	Automower leans too much or has turned over.	Turn the mower the right way up.
<i>Needs manual charging</i>	Automower is set in <i>MAN</i> operating mode.	This behavior is normal; no action required.

9. TROUBLE SHOOTING

9.2 Fault symptom

If your Automower does not work correctly, follow the trouble shooting guide below. If the fault persists; contact your dealer.

Symptom	Cause	Action
Uneven mowing results	Automower works too few hours per day.	Increase the mowing time, see <i>6.4 Timer (2)</i> on page 47.
	Working area too large.	Try limiting the working area or extending the working time, see <i>6.4 Timer (2)</i> on page 47.
	Dull blades.	Replace all the blades and screws so that the rotating parts are balanced.
	Long grass in relation to the set cutting height.	Increase the cutting height and then successively lower.
	The mower seems to work more at the top of a slope than at the bottom.	Change the Garden shape (3-3) setting to Open.
	Accumulation of grass by the blade disc or around the motor shaft.	Check that the skid plate and blade disc rotate easily. If not, the skid plate and perhaps the blade disc must be removed and the grass and foreign objects removed. See <i>8.5 Cleaning</i> on page 70.
Automower runs at the wrong time	The clock Automower on needs to be set.	Set the clock, see <i>Time and date (4-4)</i> on page 62.
	The start and stop times for mowing are incorrect.	Adjust the start and stop time settings for mowing, see <i>6.4 Timer (2)</i> on page 47.
Automower vibrates	Unbalanced blade disc or damaged blades.	Inspect the blades and screws and replace them if necessary.
Automower runs, but the blade disc does not rotate	Automower is looking for the charging station.	No action. The blade disc does not rotate when the mower is searching for the charging station.
The mower mows for shorter periods than usual between charges	Grass or a foreign object is blocking the blade disc or skid plate.	Dismantle and clean the skid plate and blade disc.
Both the mowing and charging times are shorter than usual	This behavior is normal in high temperatures (gradually increasing above 25 °C).	No action.
Automower starts mowing directly outside of the charging station instead of following the loop out		Change corridor width and/or reversing distance.

10. TECHNICAL DATA

10. Technical data

Data	Automower™ Solar Hybrid
Dimensions	
Length	28"
Width	21.7"
Height	11.8"
Weight	22 lbs
Electrical system	
Battery	NiMH special battery 18 V/4.4 Ah
Solar cell panel	12 W
Transformer	120 V / 24 V
Power consumption	Maximum 15 kWh/month in a working area of 0.6 acre
Noise emissions	
Measured noise level	63 dB(A)
Guaranteed noise level	69 dB(A)
Mowing	
Mowing system	Three, pivoted cutting knife blades
Cutting height	0.8" - 2.5"
Cutting width	8"
Working capacity	0.6 acre +/- 20%

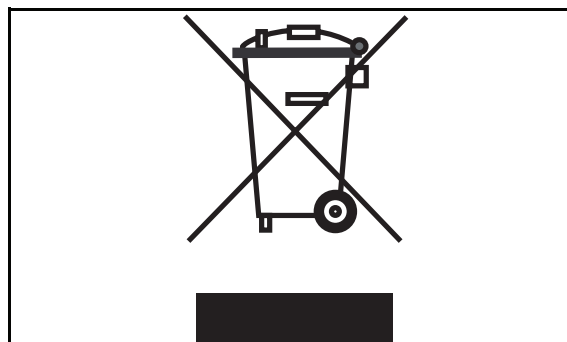
11. ENVIRONMENTAL INFORMATION

11. Environmental information

The symbol on the Husqvarna Automower™ or its packaging indicates that this product may not be treated as household waste. Instead it shall be handed over to the applicable collection point for the recycling of electrical and electronic equipment.

By ensuring this product is disposed of correctly, you will help prevent potential negative consequences for the environment and human health, which could otherwise be caused by inappropriate waste handling of this product.

For more detailed information about recycling of this product, please contact your local council office, your household waste disposal service or the shop where you purchased the product.



3012-689

Serial number: _____
Personal code: _____
Dealer _____
Dealer's telephone number: _____

11. ENVIRONMENTAL INFORMATION

12. INDEX

12. Index

A

Advanced	57
Alarm	59
Arrow down	43
Arrow up	43
AUTO	42
Automower	
More than one in a garden	16
One in several gardens	16
Technical data	76
What's what	11
Automower runs at the wrong time	75
Automower runs, but the blade disc does not rotate	75
Automower vibrates	75

B

Battery	
Battery status	41
Change	68
Charging	21, 37
Maintenance	68
Blade disc blocked	73
Blade disc, maintenance	68, 70
Blades	12
Blades, maintenance	68
Blades, replace	71
Body, maintenance	71
Both the mowing and charging times are shorter than usual	75
Boundaries of working area	22
Boundary wire	
Boundaries	22, 24
Checking	57
Connecting	29
Connecting the guide wire to the boundary wire	36
Find wire	57
Installation	21
Routed towards charging station	28
Secondary areas	24
Slope	26
Solderless coupler	28
Bushes	24
Buttons	
Keypad	42
Main switch	44
STOP button	13

C

Capacity Automower	12
Change battery	68
Change cutting height	40
Change PIN code	58
Charge then AUTO	47
Charging	
Battery	21, 37
Charging station	
Boundary wire	29
Connect low voltage cable	20
Installation	18
Installation and connection	20

Irregular search	15
Link to Automower	31
Passages	19
Positioning	18
Presentation	10
Search by Follow guide wire	16
Search by Follow loop in	15
Search for	15
Winter storage	69
Charging station blocked	74
Chassis, Maintenance	70
Check loop	57
Check the installation	31
Cleaning	
Automower	70
Blade disc	70
Body	71
Chassis	70
Underframe	70
Wheels	70
Clock	41
Clock icon	41
Commands	47
Complex garden shape	56
Connecting	
Boundary wire	29
Guide wire	33
Low voltage cable	20
Connector	30
Control panel	41
Automatic operating mode	42
Battery status	41
Clock	41
Clock icon	41
Cursor	41
Home button	42
Keypad	42
Main menu	45
Main switch	44
Manual operating mode	42
Numbers	44
Operating mode	42
Program icon	41
Programs	43
Select	43
Shortcuts	42
Corridor	54
Corridor width	54
Cursor	41
Cutting height	40

D

Date	62
Date format	62
Day timer	48
Direction in Follow loop out	52
Distance in Follow loop out	52
Ditch	23
Drive past wire	57

12. INDEX

E

Earth fault-breaker	19
End angle	50
Exit angles	50
Exit sector	50

F

Factory settings Automower	47
Fault messages	47, 73
Fault symptom	75
Flat path	23
Flower beds	24
Follow loop	51
Follow loop in	15, 53
Follow loop out	51

G

Garden	49
Advanced settings	57
Check loop	57
Corridor width	54
Drive past wire	57
Exit angles	50
Follow loop	51
Follow loop in	53
Follow loop out	51
Garden shape	56
Settings	49
Garden example	63
Garden settings	63
Garden shape	56
Guide wire	16, 32
Installation	32

H

Home	42
------------	----

I

Installation	
Boundaries of working area	22
Boundary wire	21
Boundary wire on a slope	26
Boundary wire routed towards charging station	28
Charging station	18
Checking	31
Garden example	63
Guide wire	32
Low voltage cable	19
Planning	17
Preparations	17
Step by step	17
Transformer	19
Islands	
Secondary areas	24
Within the working area	24

K

Keypad	42, 60
--------------	--------

L

Language	61
Left wheel motor blocked	73
Link Automower to charging station	31
Low battery voltage	74
Low voltage cable	19
Connect to charging station	20
Connect to transformer	20
Installation	19

M

Main menu	41, 45, 46
Commands	47
Garden	49
Settings	58
Timer	47
Main switch	44
Maintenance	68
Battery	68
Blade disc	70
Blades	71
Body	71
Chassis	70
Cleaning	70
Safety Instructions	9
Service	69
Underframe	70
Wheels	70
MAN	42
Menu functions	45
Commands	47
Garden	49
Settings	58
Timer	47
Menu overview	46
Menus	
Browse between	45
Submenus	45
The Main menu	45
More than one Automower in a garden	16
Movement pattern Automower	14

N

Needs manual charging	74
No contact in charging station	74
No drive	74
No loop signal	73
Normal garden shape	56
Number buttons	44

O

Obstacles	24
One Automower in several gardens	16
Open garden shape	56
Operating hours	41
Operating mode	42
Outside	74
Overview menus	46

12. INDEX

P

Passages	
Charging station	19
Exit sector	50
When mowing	25
When searching	25
PIN code	58
Pools of water	23
Positioning	
Charging station	18
Positioning transformer	19
Preparations	
Installation	17
Program buttons	43
Program icon	41
Programs	43
Proportion first	51
Proportion in Follow loop out	52

R

Replace blades	71
Reset factory settings Automower	47
Restart	39
Restart Automower	39
Return arrow	43
Reversing distance	50
Right wheel motor blocked	73

S

Safety Instructions	8
Maintenance	9
Transport	9
Use	8
Search for charging station	
Follow guide wire	16
Follow loop in	15
Irregular	15
Search method	15
Follow guide wire	16
Follow loop in	15
Irregular	15
Secondary areas, Boundary wire	24
Security	58
PIN code	58
Settings lock	60
Stop protection	59
Time lock	58
Select buttons	43
Sensors	13
Service	69
Settings	58
Advanced	57
Check loop	57
Corridor width	54
Date	62
Day timer	48
Drive past wire	57
Exit angles	50
Exit sector	50
Follow loop	51
Follow loop in	53
Follow loop out	51
Garden	49
Garden example	63

Garden shape	56
Language	61
PIN code	58
Proportion first	51
Reversing distance	50
Security	58
Settings lock	60
Sounds	60
Stop protection	59
Time	62
Time lock	58
Timer	47
Timer override	48
Week timer	49
Weekend timer	48
Settings lock	60
Several gardens and one Automower	16
Shortcuts	
Control panel	42
Menus	45
Show latest faults	47
Signal reception	
Check	57
Skid plate, maintenance	68
Sleep mode Automower	14
Slope	
Installation boundary wire	26
Solderless coupler	36
Sounds	60
Square mode cutting	14
Standby Automower	14
Start angle	50
Start Automower	38
Start-up sequence	14, 31
Stones	24
Stop Automower	38
STOP button	13
Stop protection	59
Stuck in charging station	74
Submenus	45
Switch off Automower	39
Symbols	
Automower	6
Operator's manual	7
Symptom cause and action	75

T

Technical data	76
Test in	55
Test out	55
The mower mows for shorter periods than usual between charges	75
Theft-prevention	
Stop protection	59
Time lock	58
Thunder	12
Time and date	62
Time format	62
Time lock	58
Timer	47
Day timer	48
Override	48
Use	38
Week timer	49
Weekend timer	48

12. INDEX

Timer override	48
Transformer	19
Connect low voltage cable	20
Installation	19
Positioning	19
Presentation	10
Transport	
Safety instructions	9
Trapped	73
Trees	24
Trouble shooting	73
Trouble Shooting Guide symptom	75

U

Underframe	70
Uneven mowing results	75
Upside down	74
Use	
Change cutting height	40
Safety instructions	8
Use Automower	37
Use the timer	38

W

Wall socket	19
Week timer	49
Weekend timer	48
What's what Automower	11
Wheels, Maintenance	70
Winter storage	69
Working area	
Boundaries	22, 24
Working method Automower	13
Wrong PIN code	74

Y

YES button	43
------------------	----

AUTOMOWER is a trademark owned by Husqvarna AB. Copyright © 2007HUSQVARNA. All rights reserved.