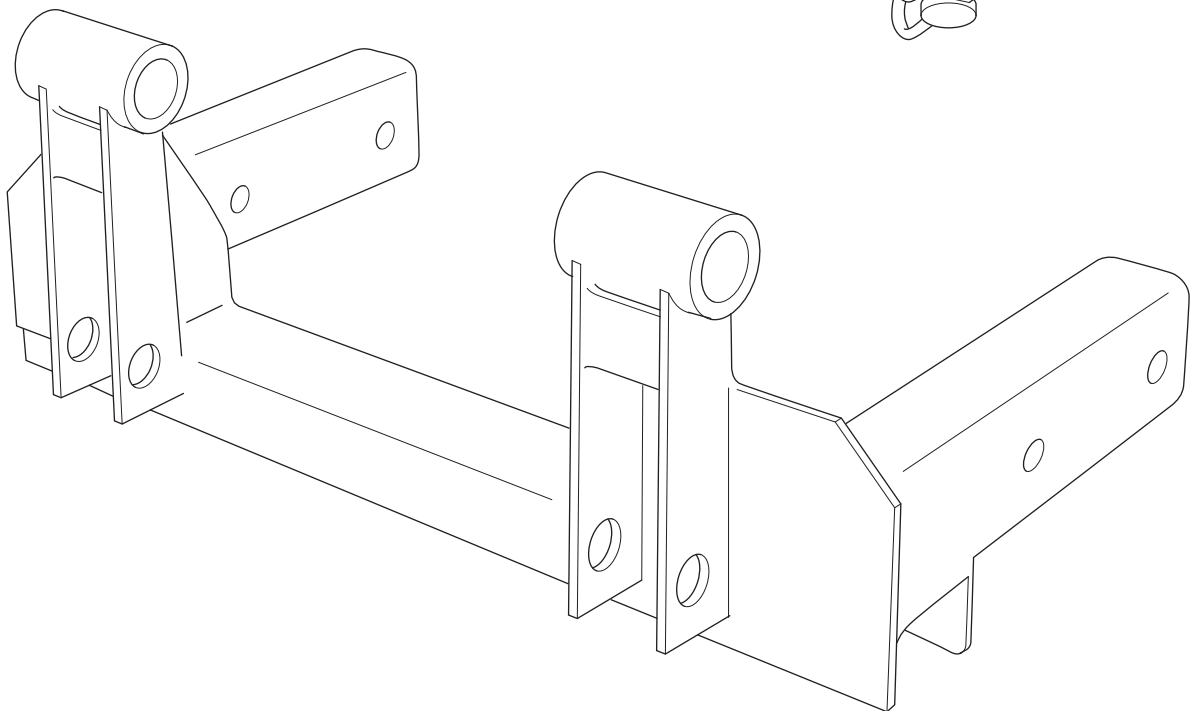
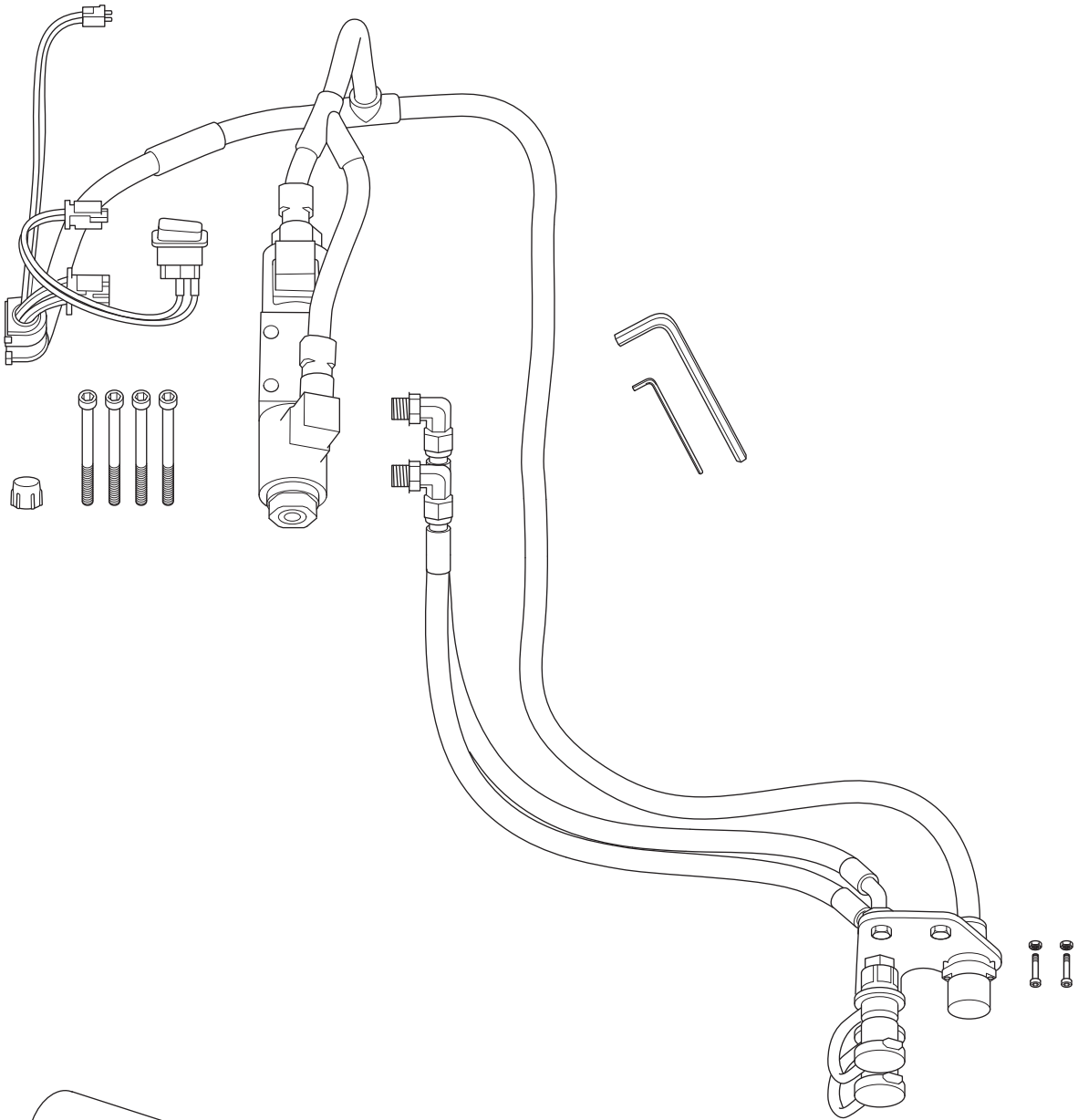




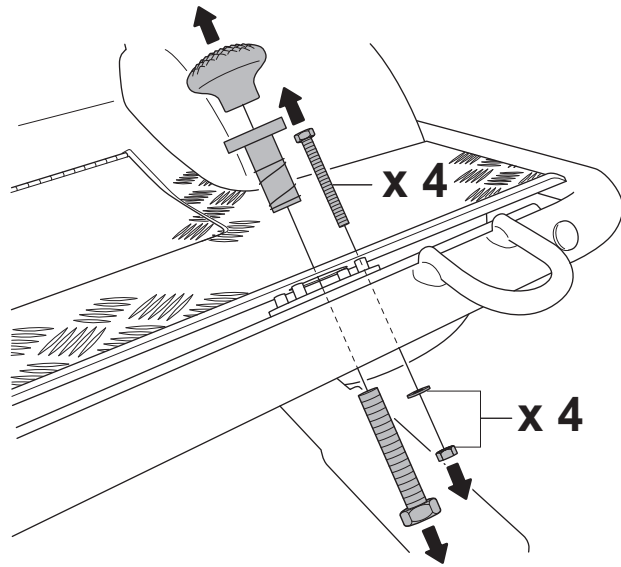
# **Assembly instruction Equipment Kit, PT26D**



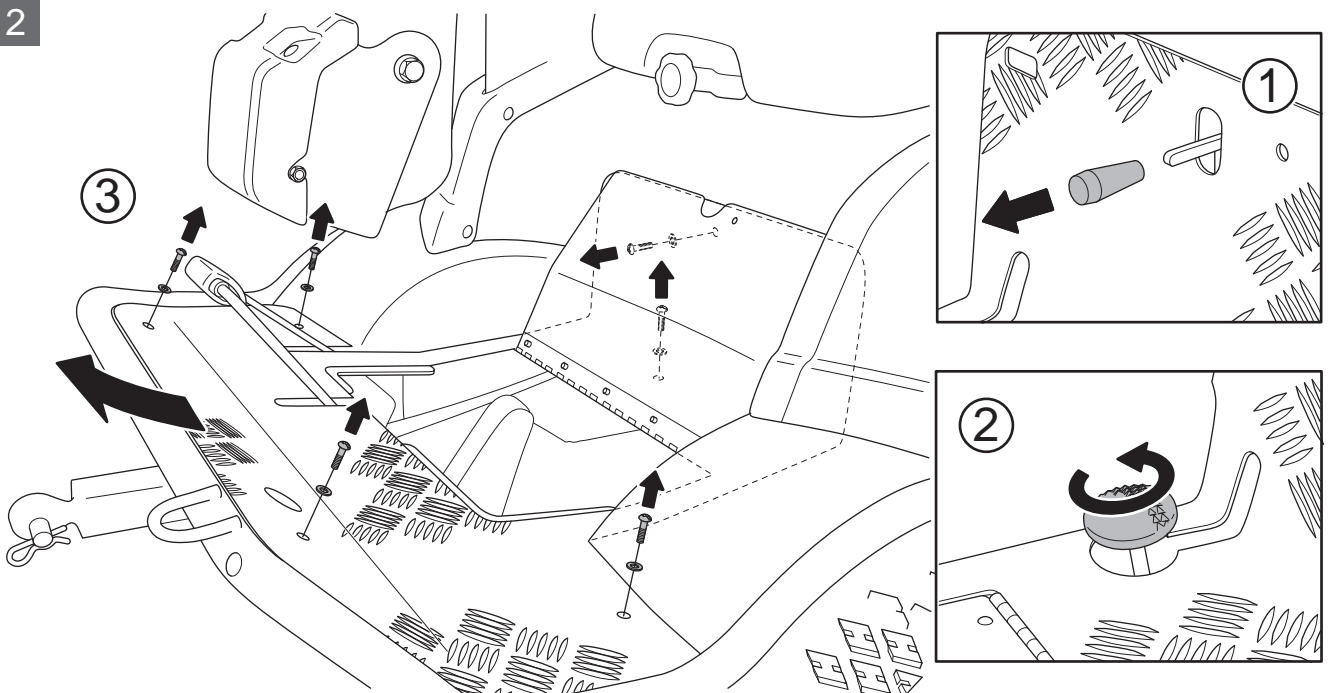
115 03 33-01



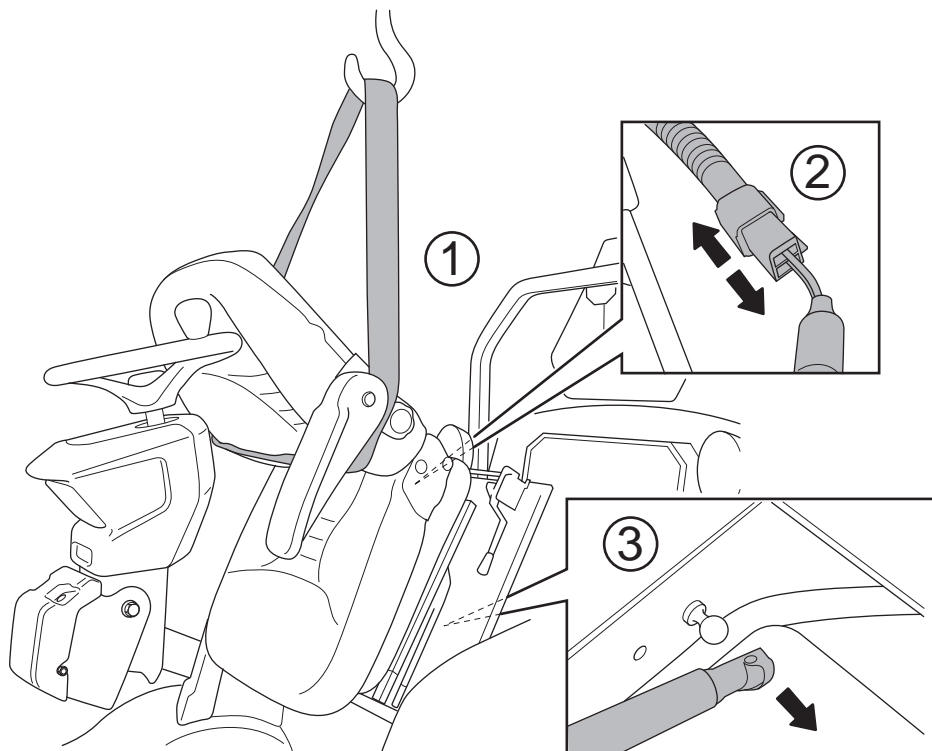
1



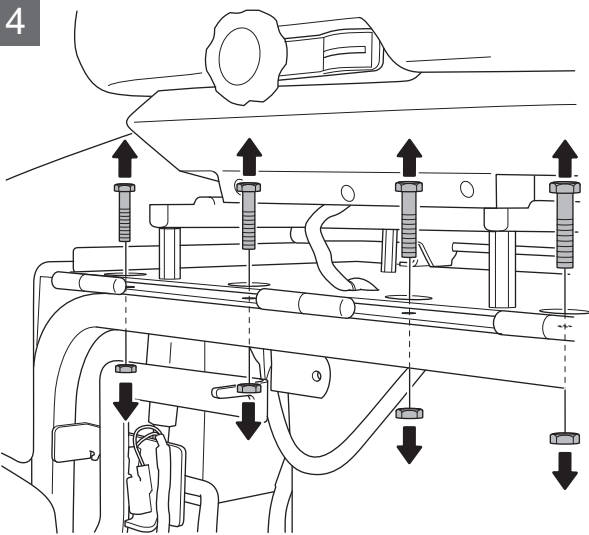
2



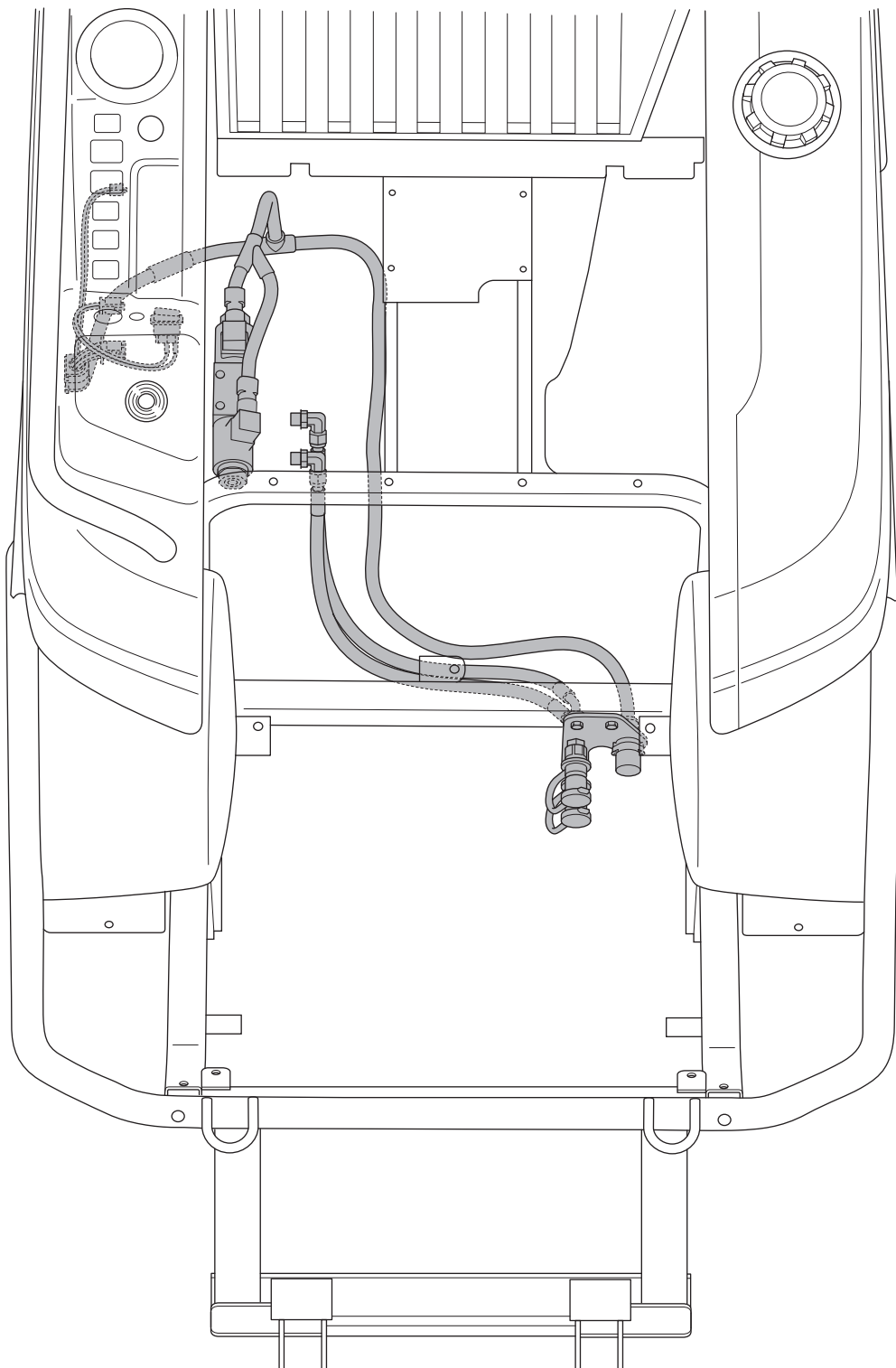
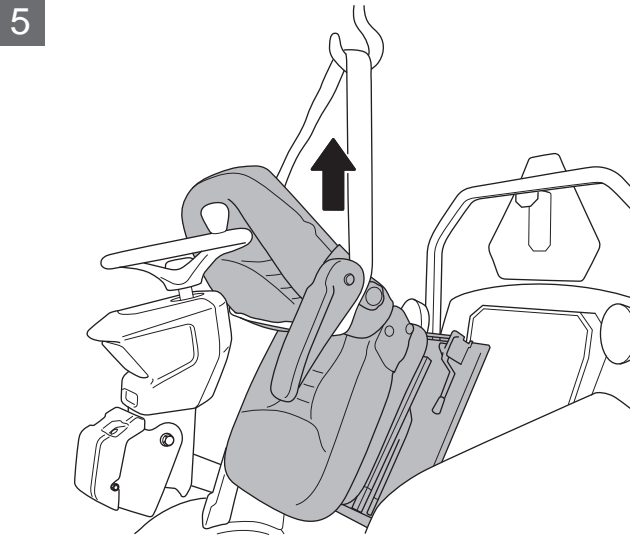
3

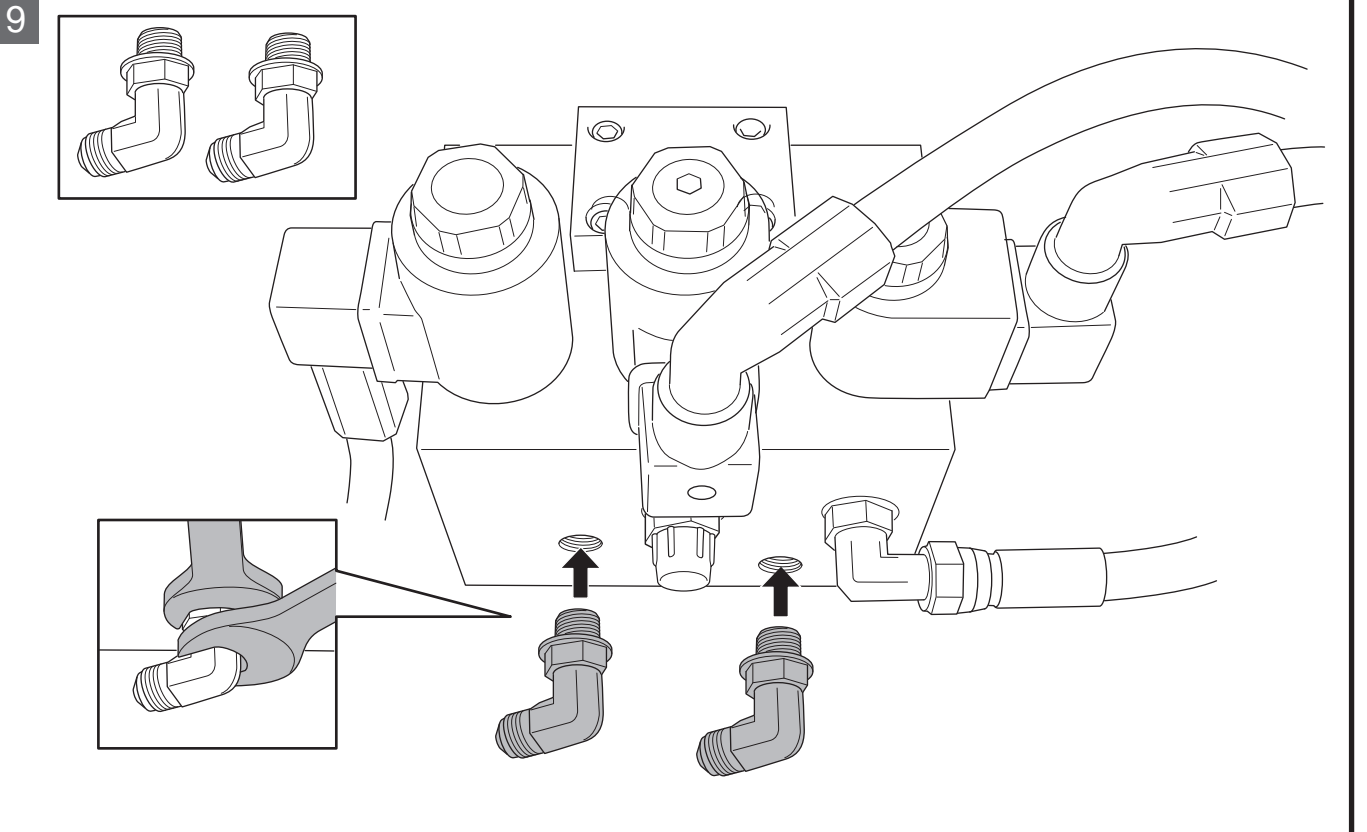
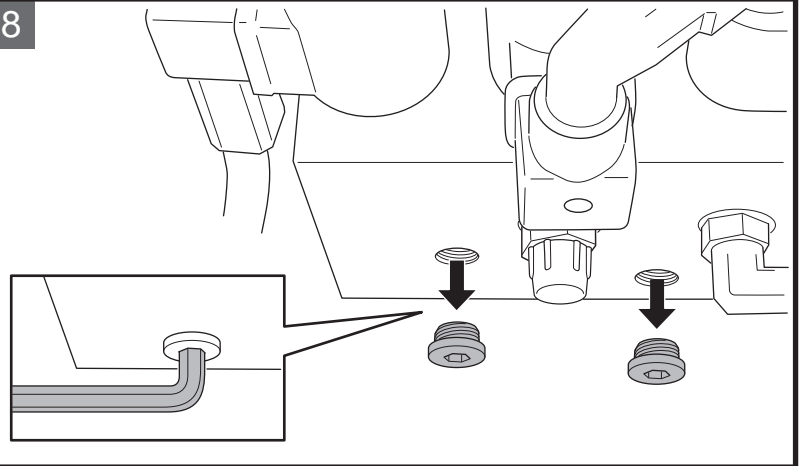
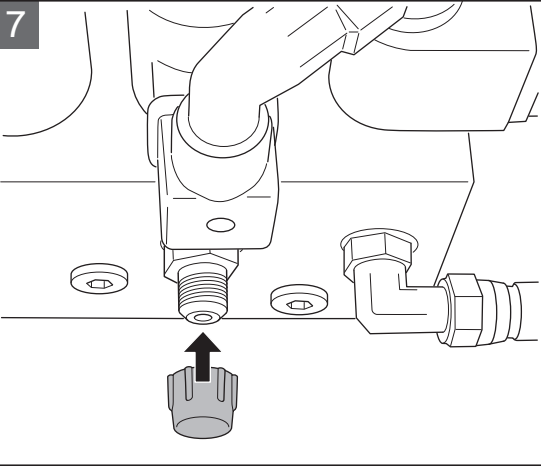
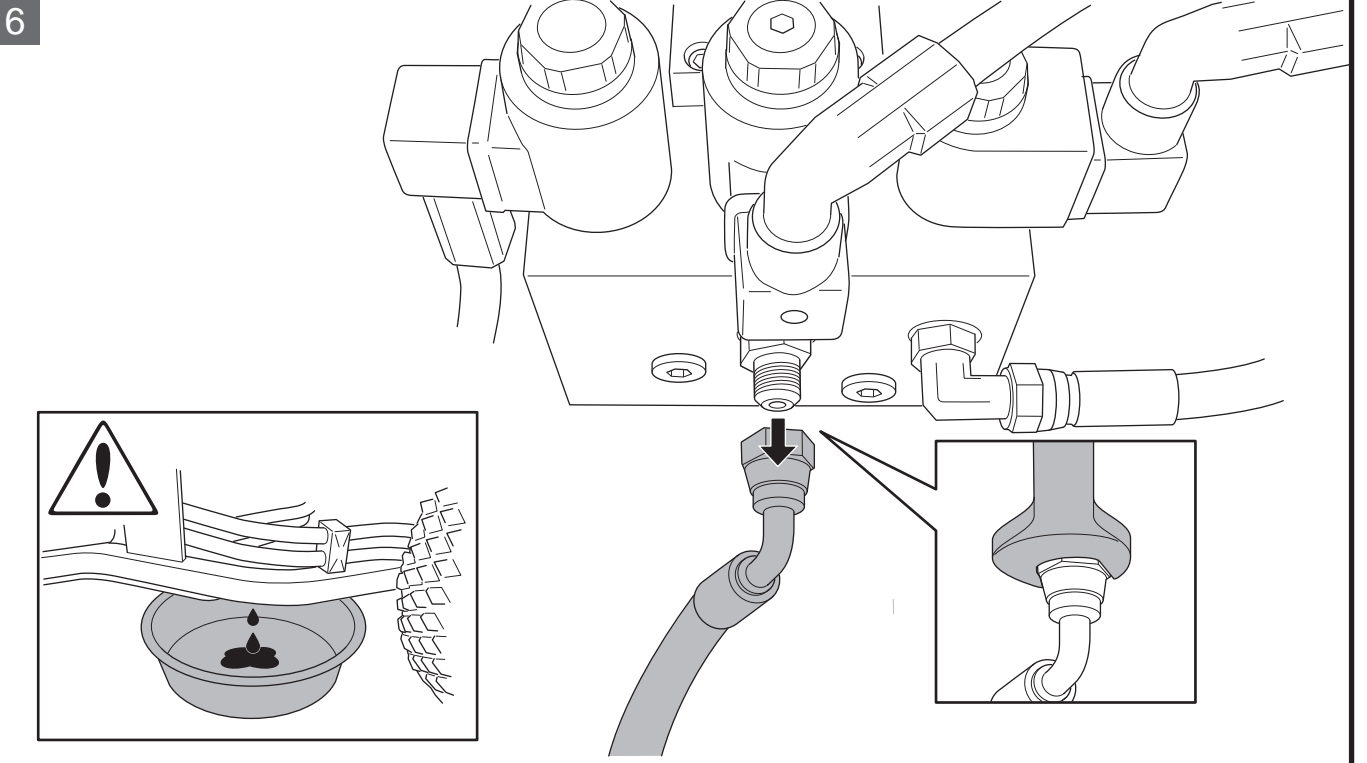


4

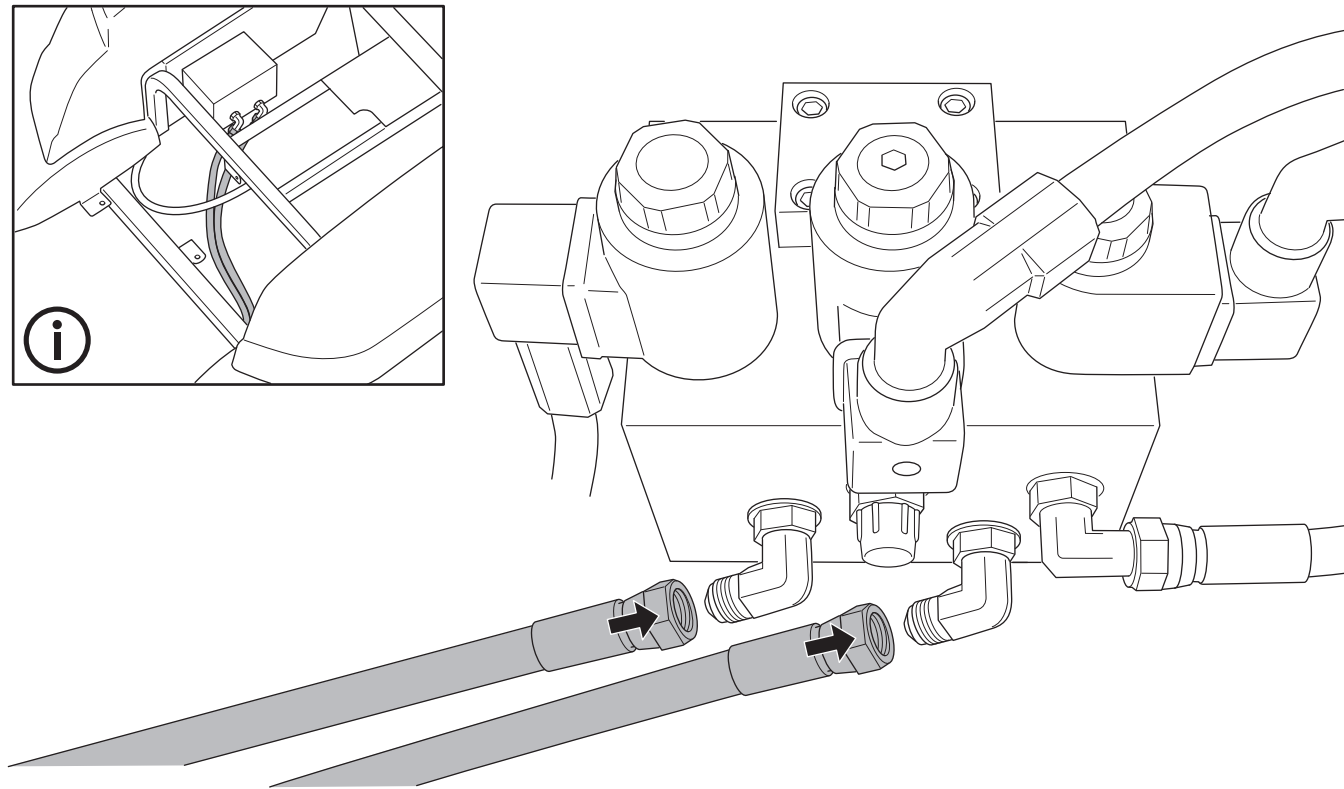
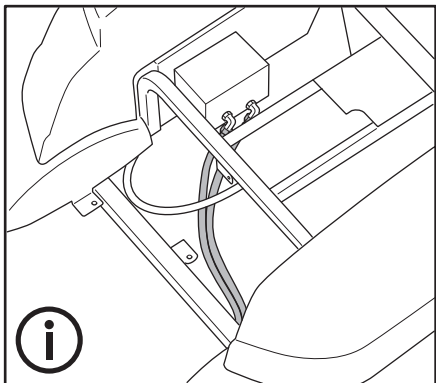


5

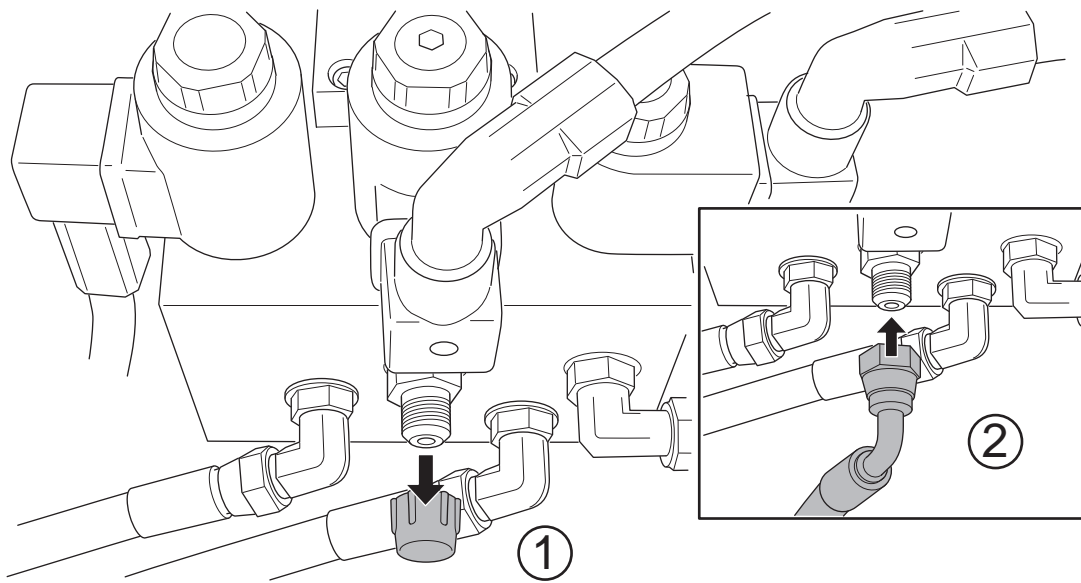




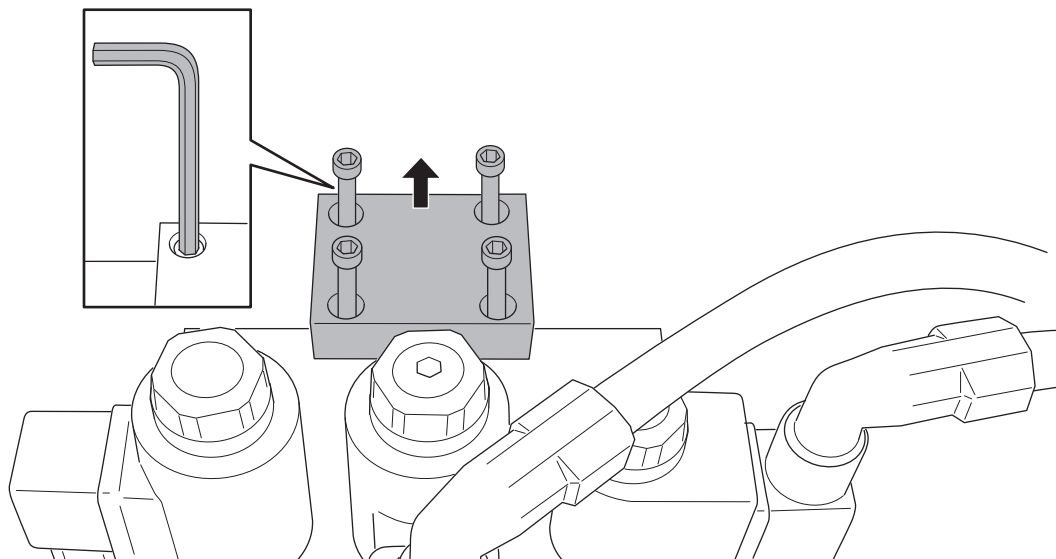
10

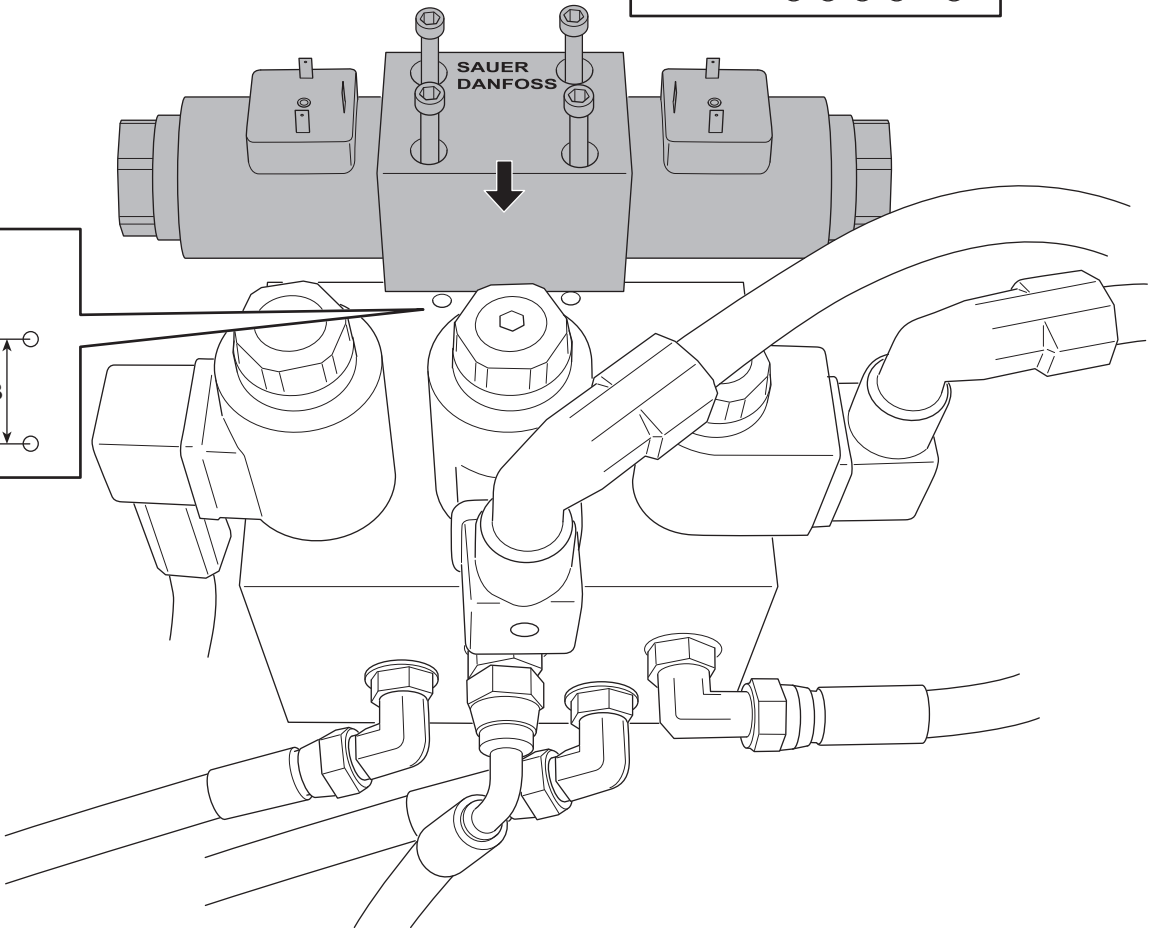
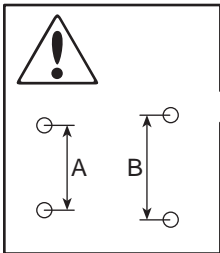
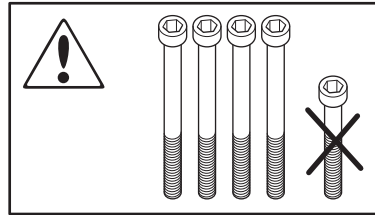
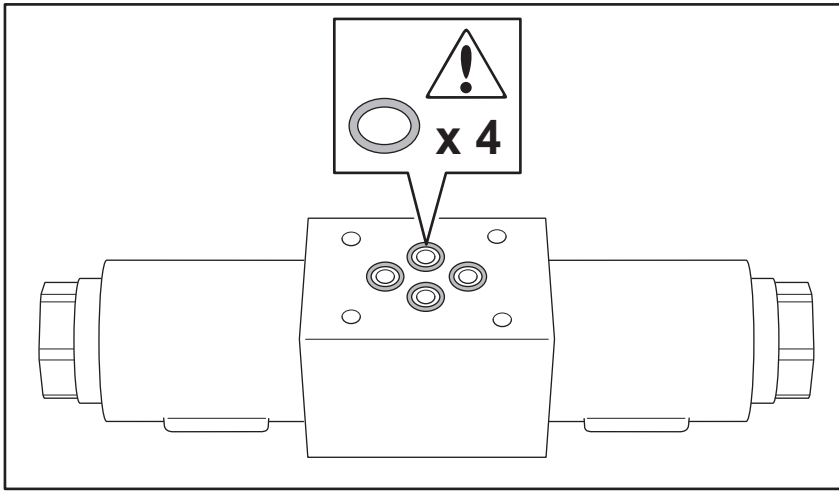


11

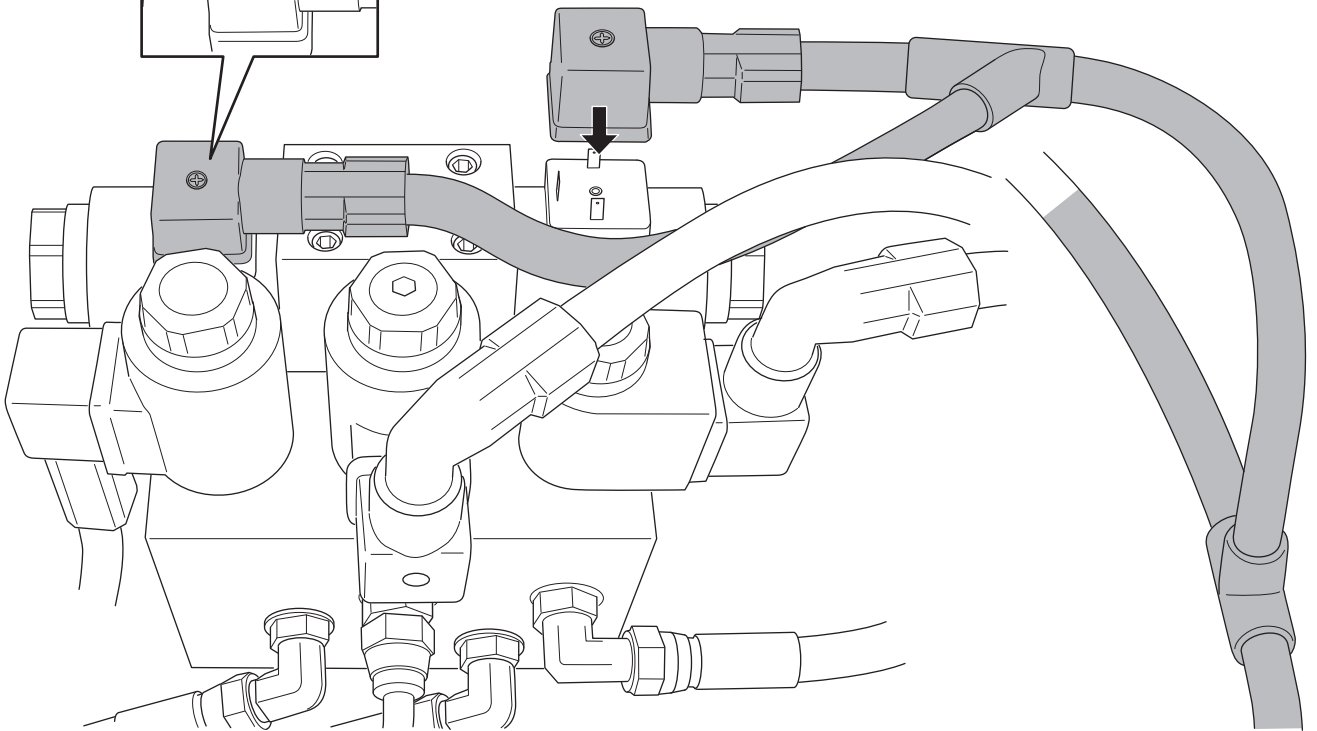
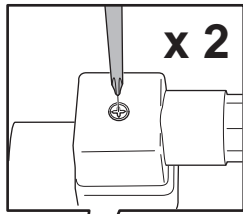


12

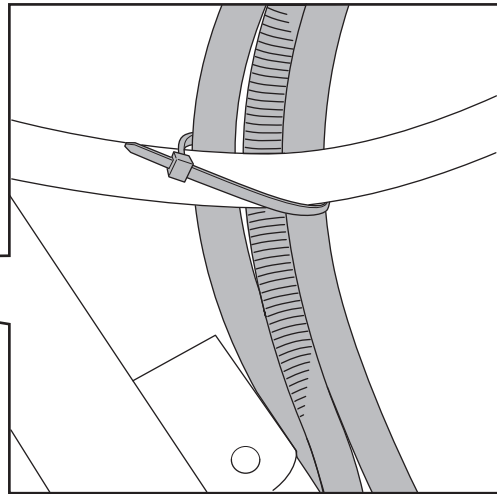
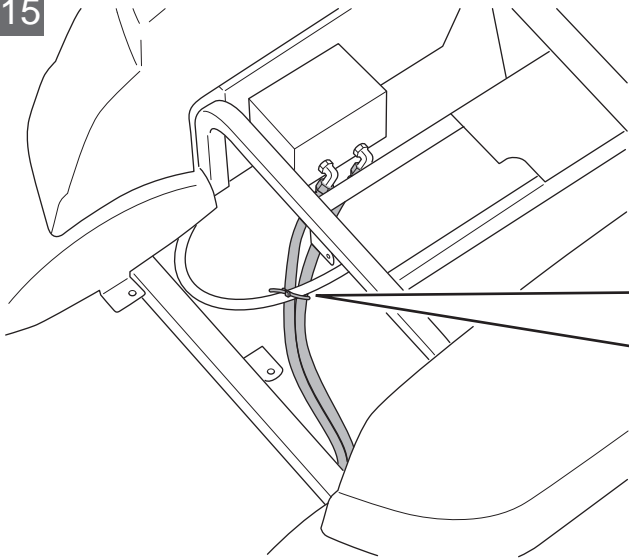




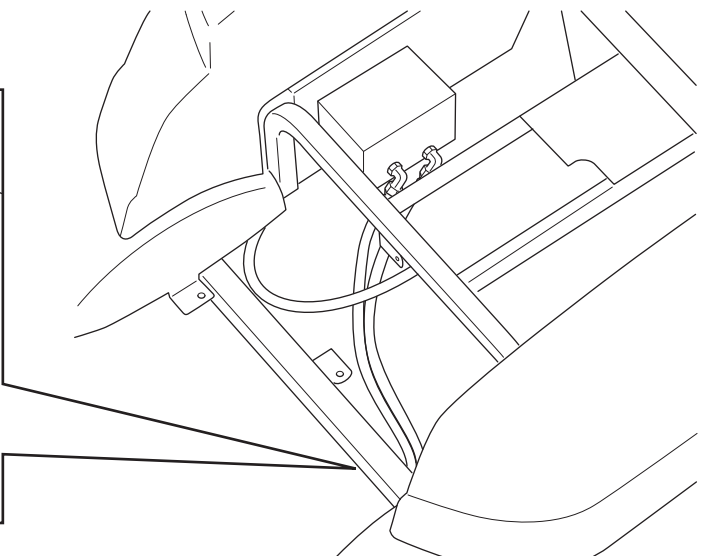
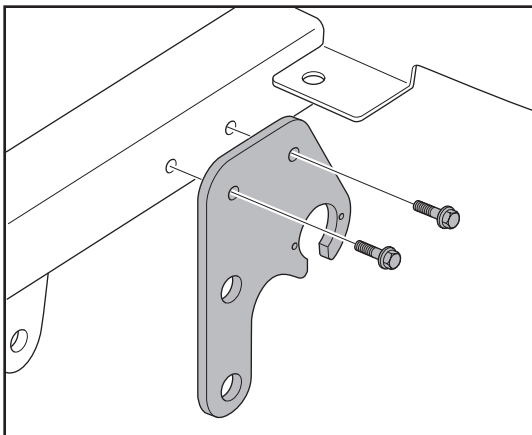
14



15

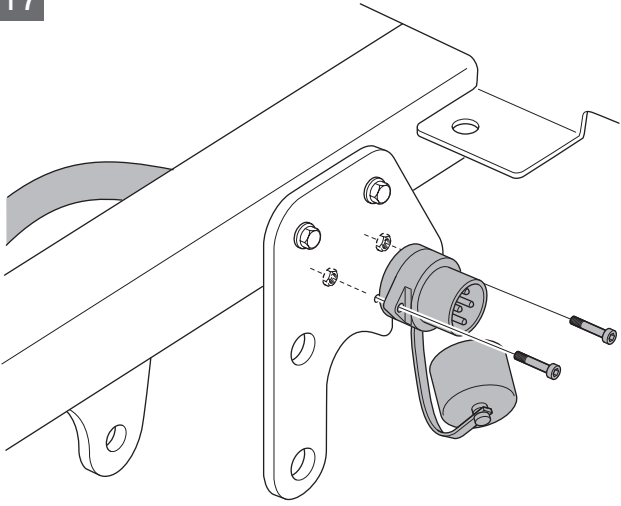


16

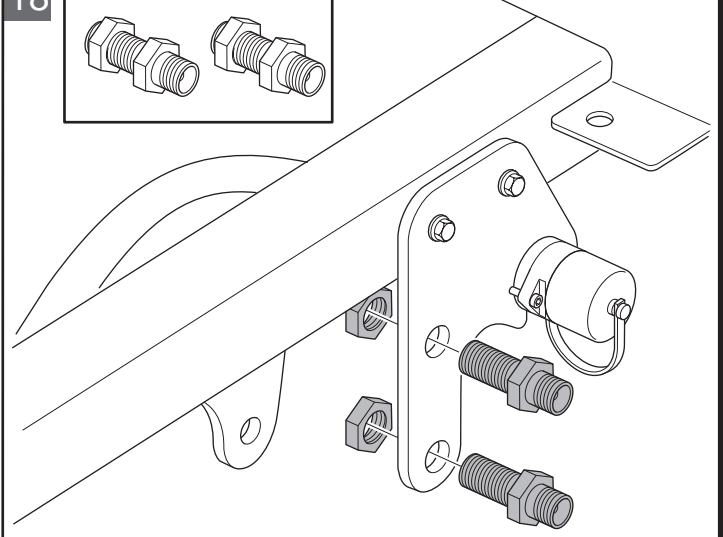




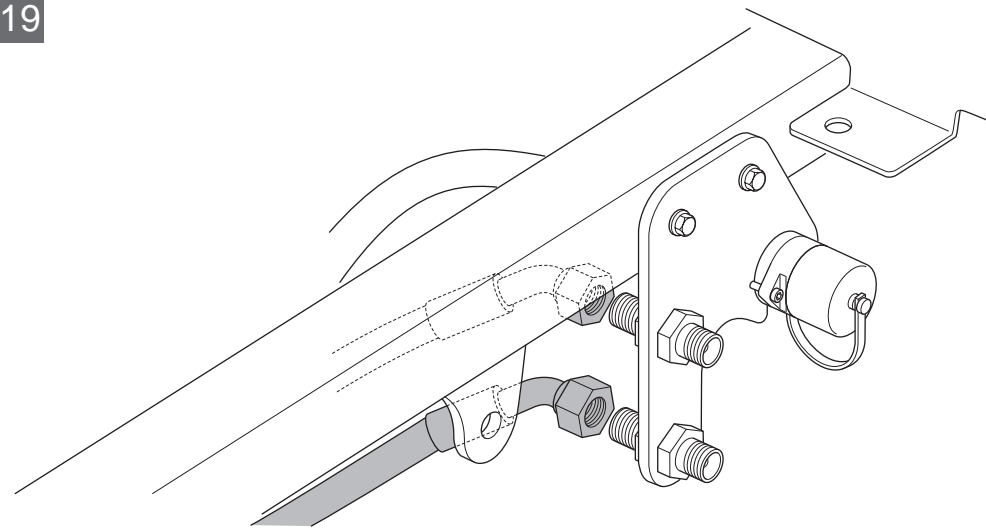
17



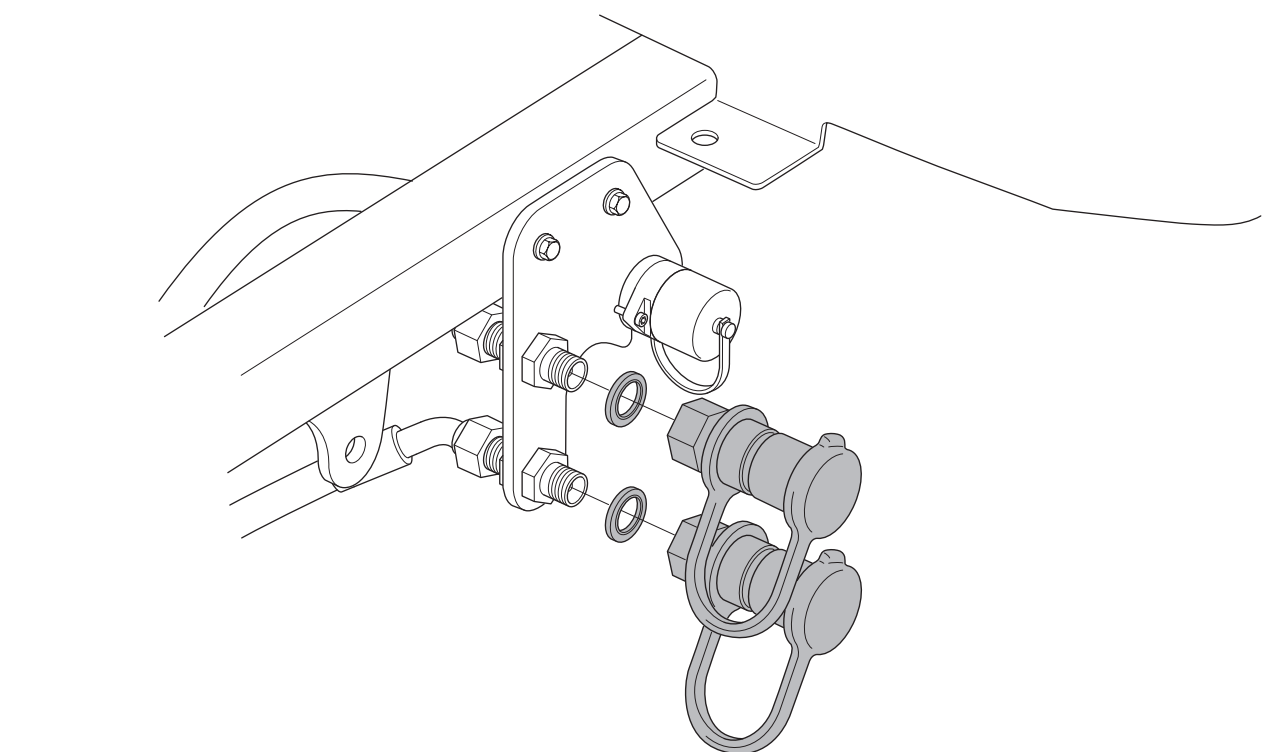
18



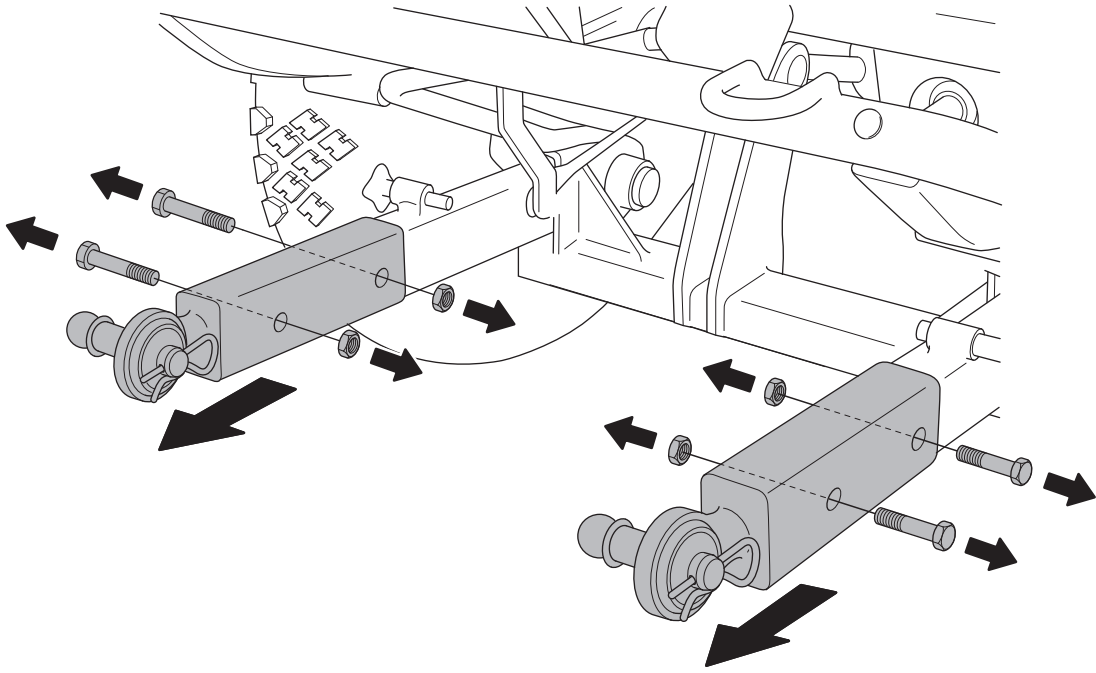
19



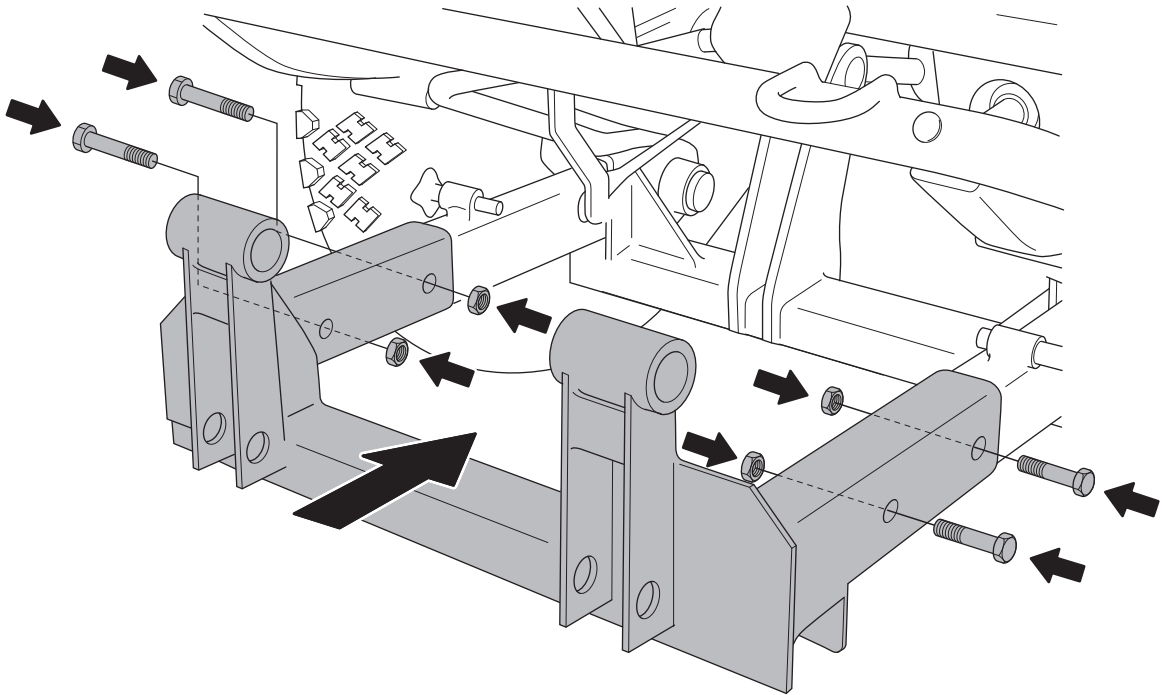
20

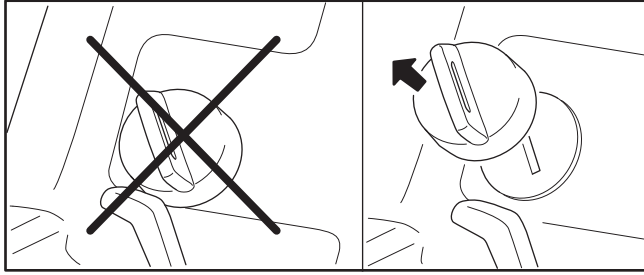


21

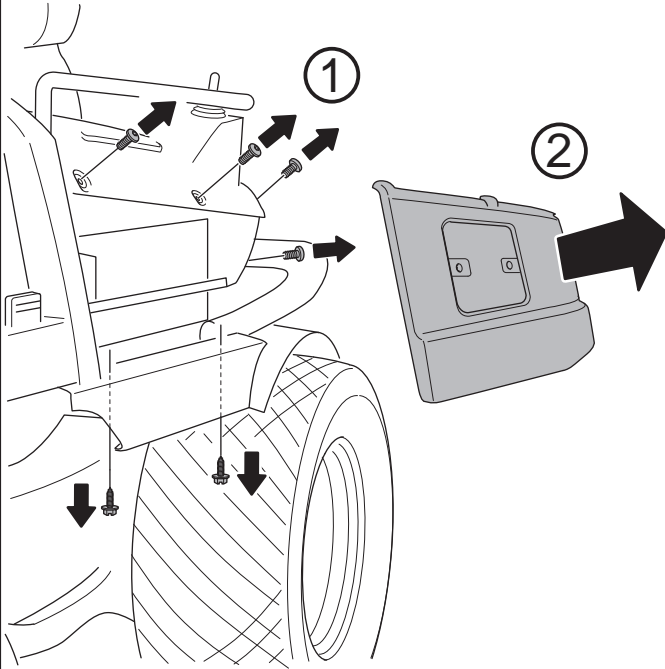


22

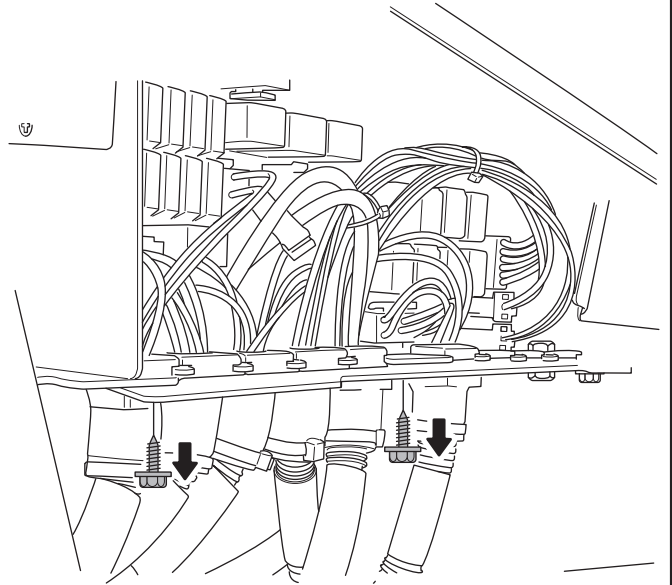




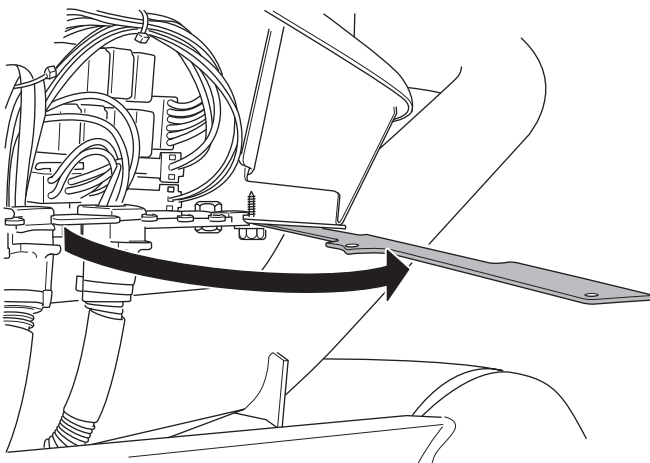
23



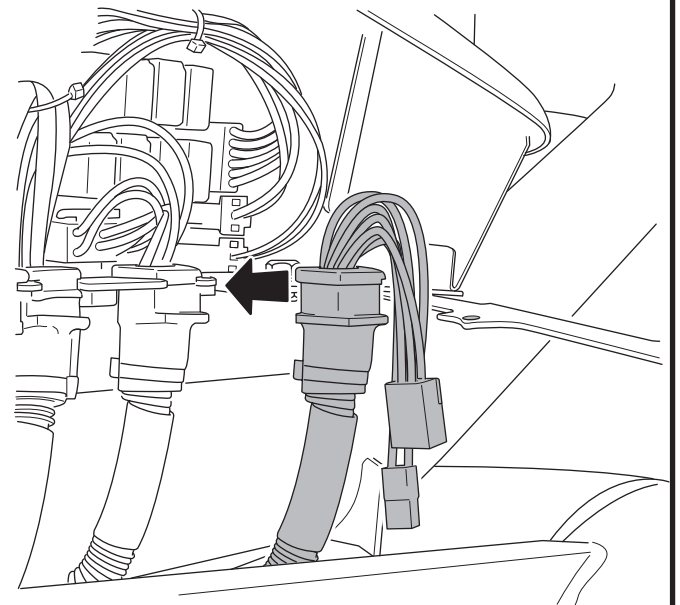
24



25

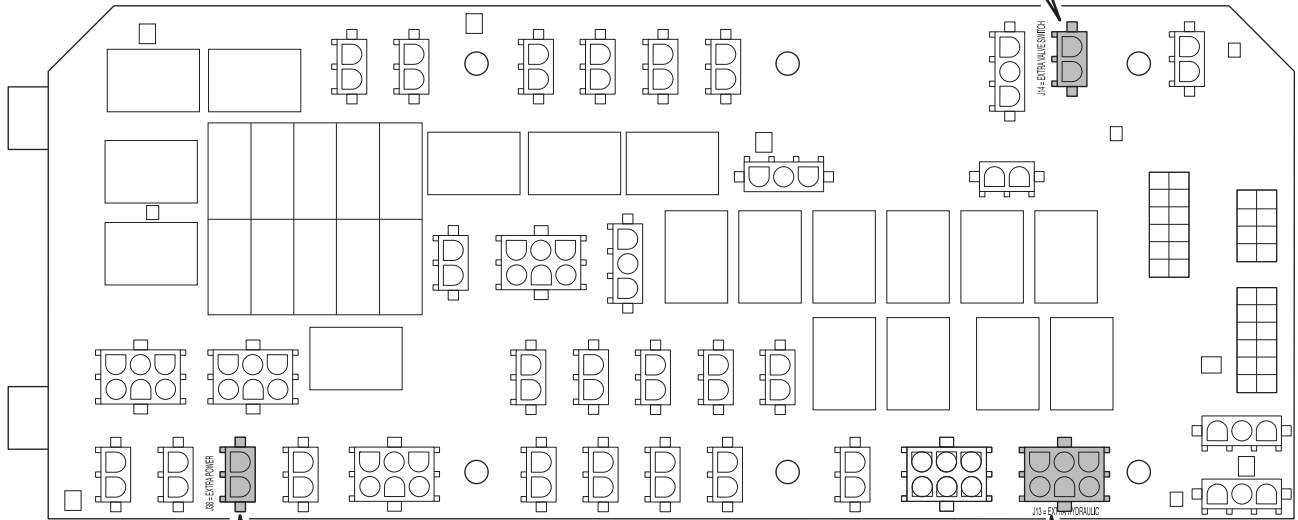


26





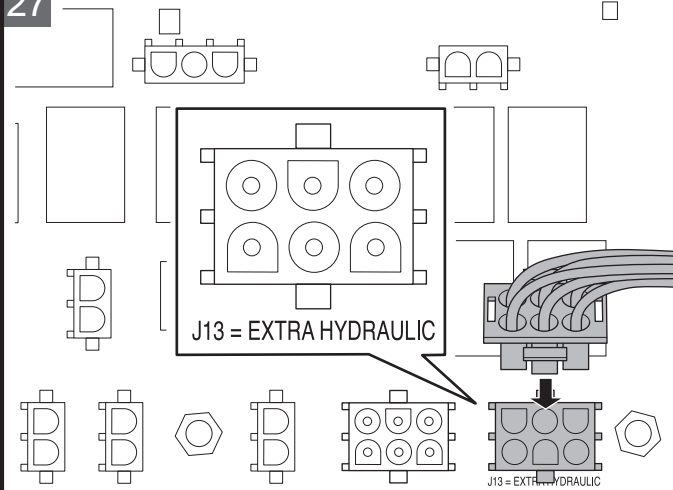
J14 = EXTRA VALVE SWITCH



J38 = EXTRA POWER

J13 = EXTRA HYDRAULIC

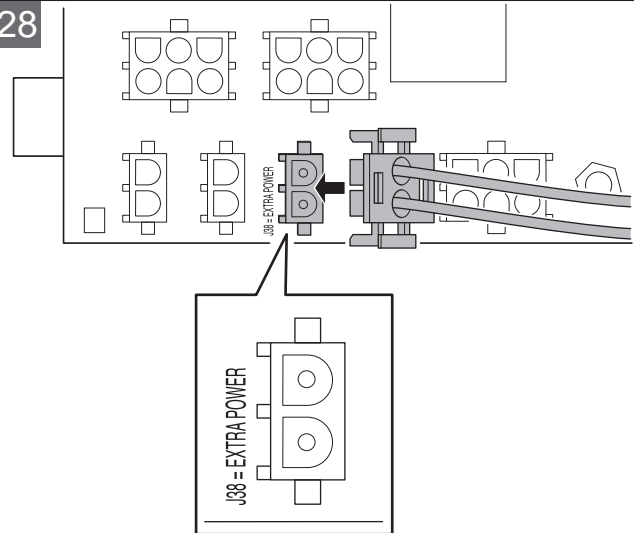
27



J13 = EXTRA HYDRAULIC

J13 = EXTRA HYDRAULIC

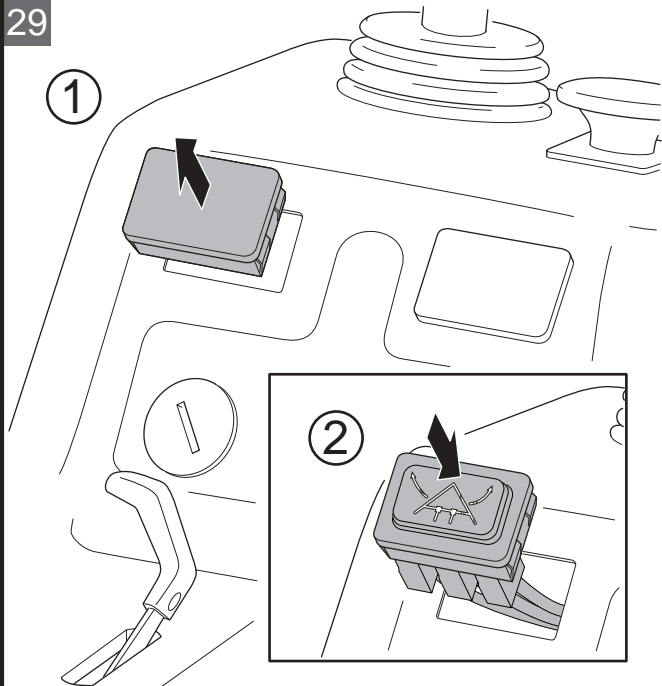
28



J38 = EXTRA POWER

J38 = EXTRA POWER

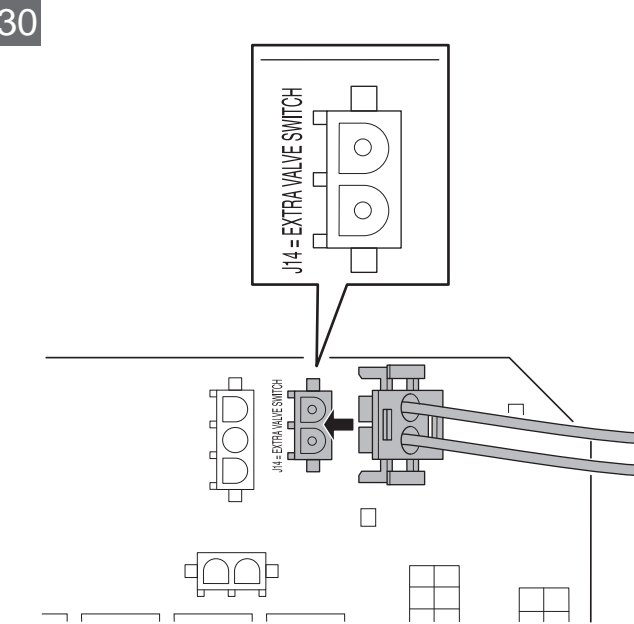
29



1

2

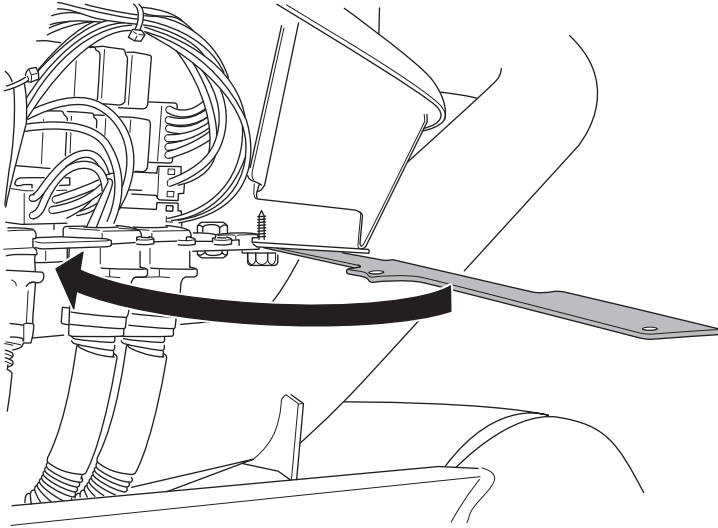
30



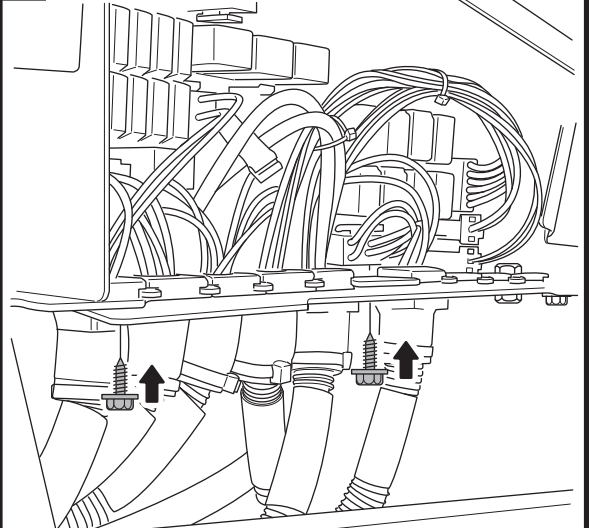
J14 = EXTRA VALVE SWITCH

J14 = EXTRA VALVE SWITCH

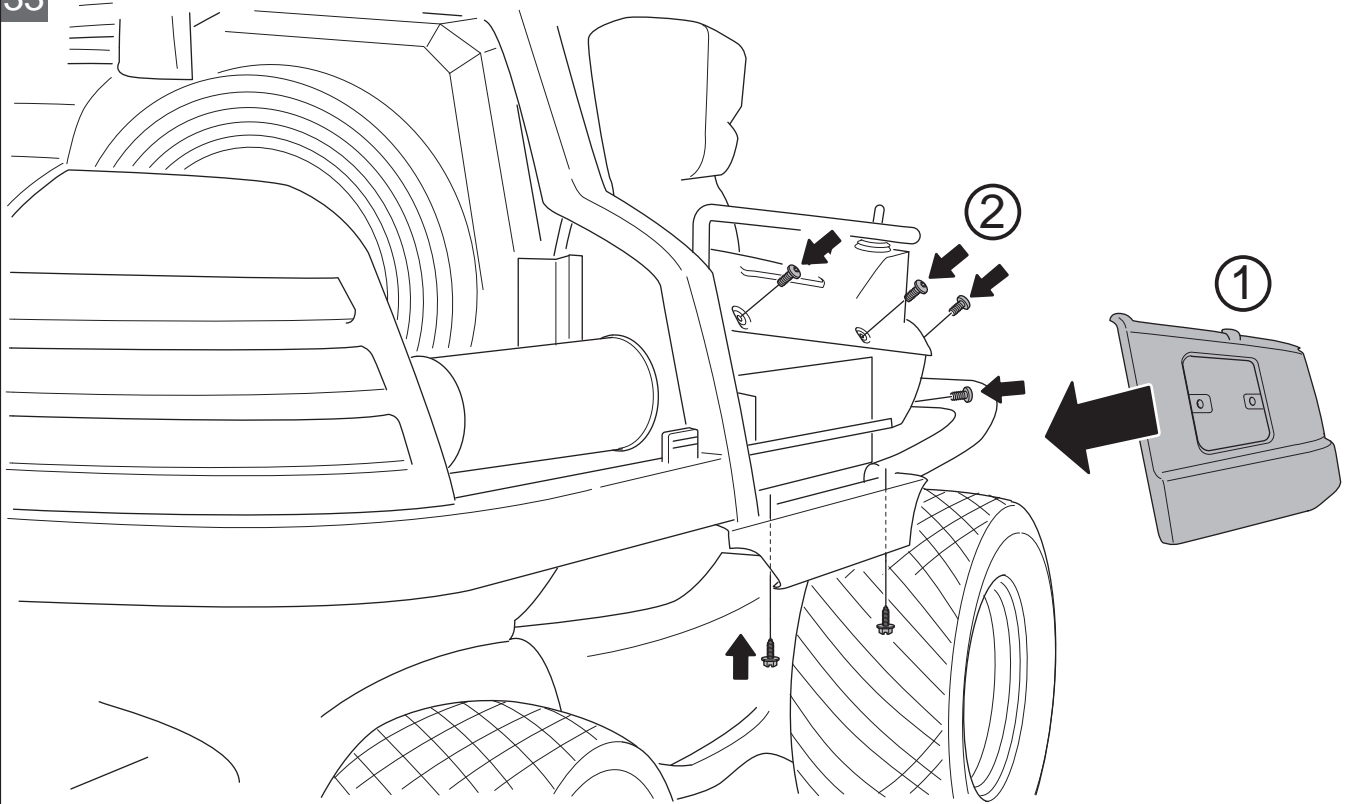
31



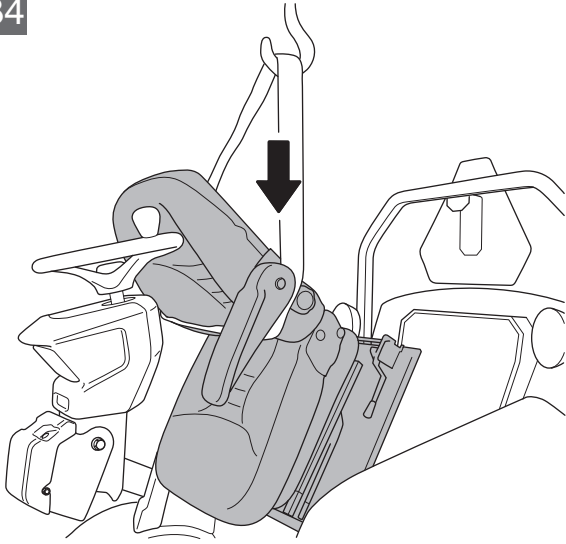
32



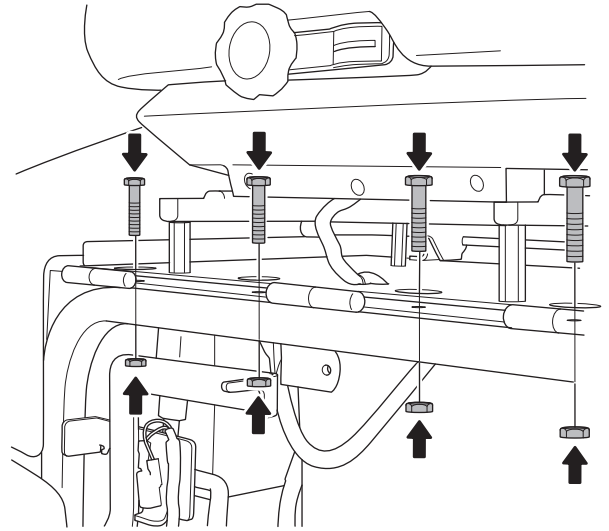
33



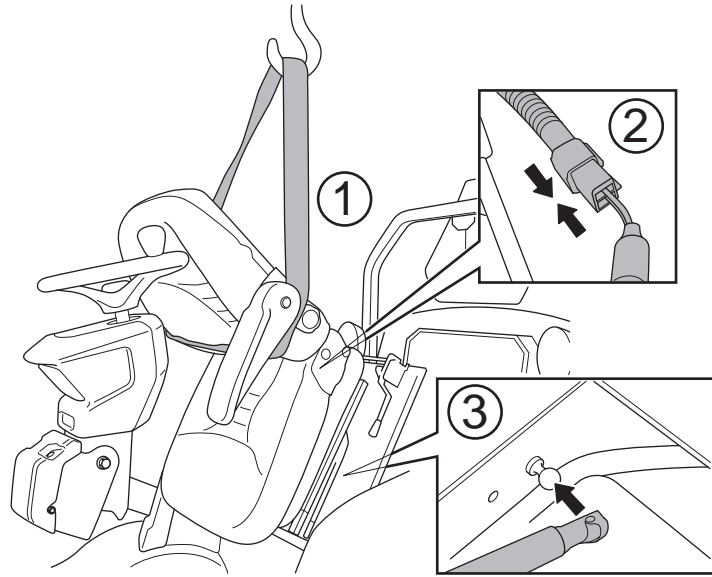
34



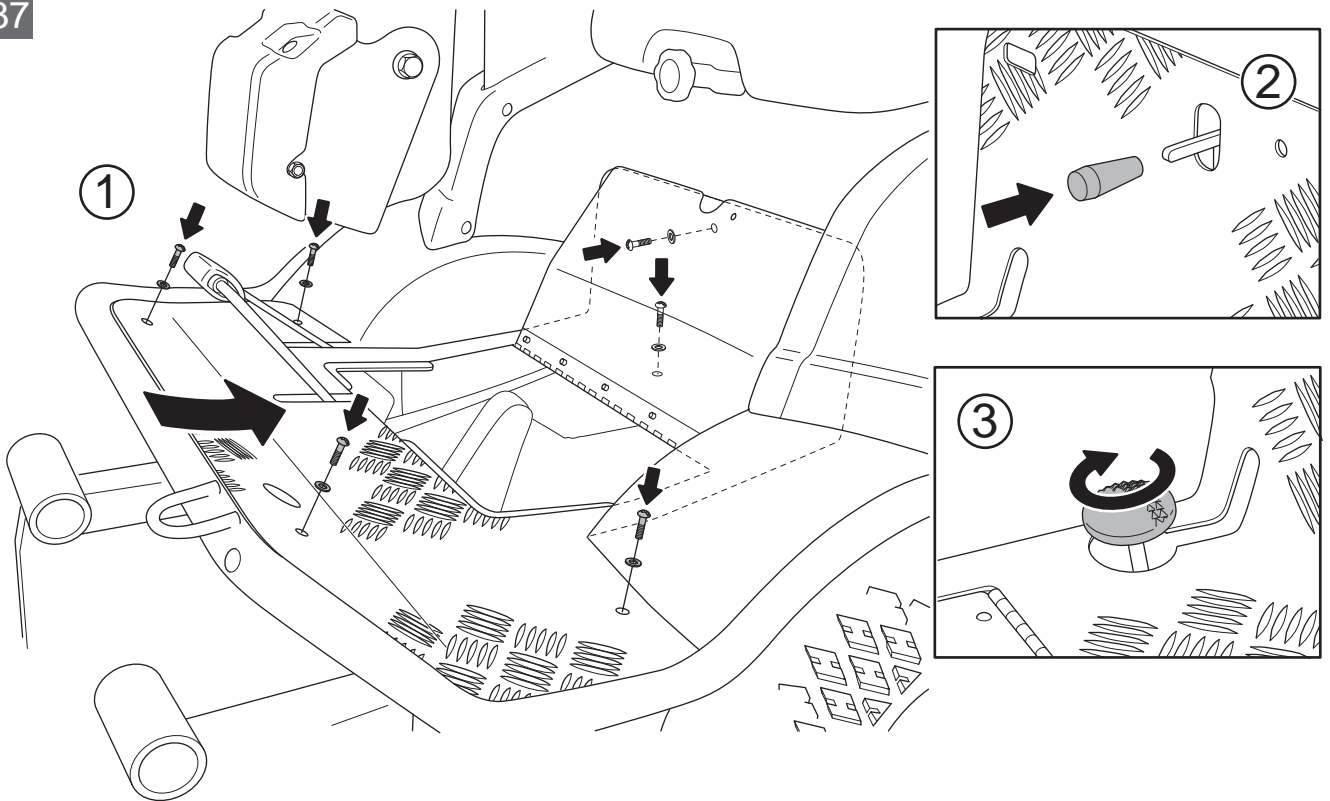
35

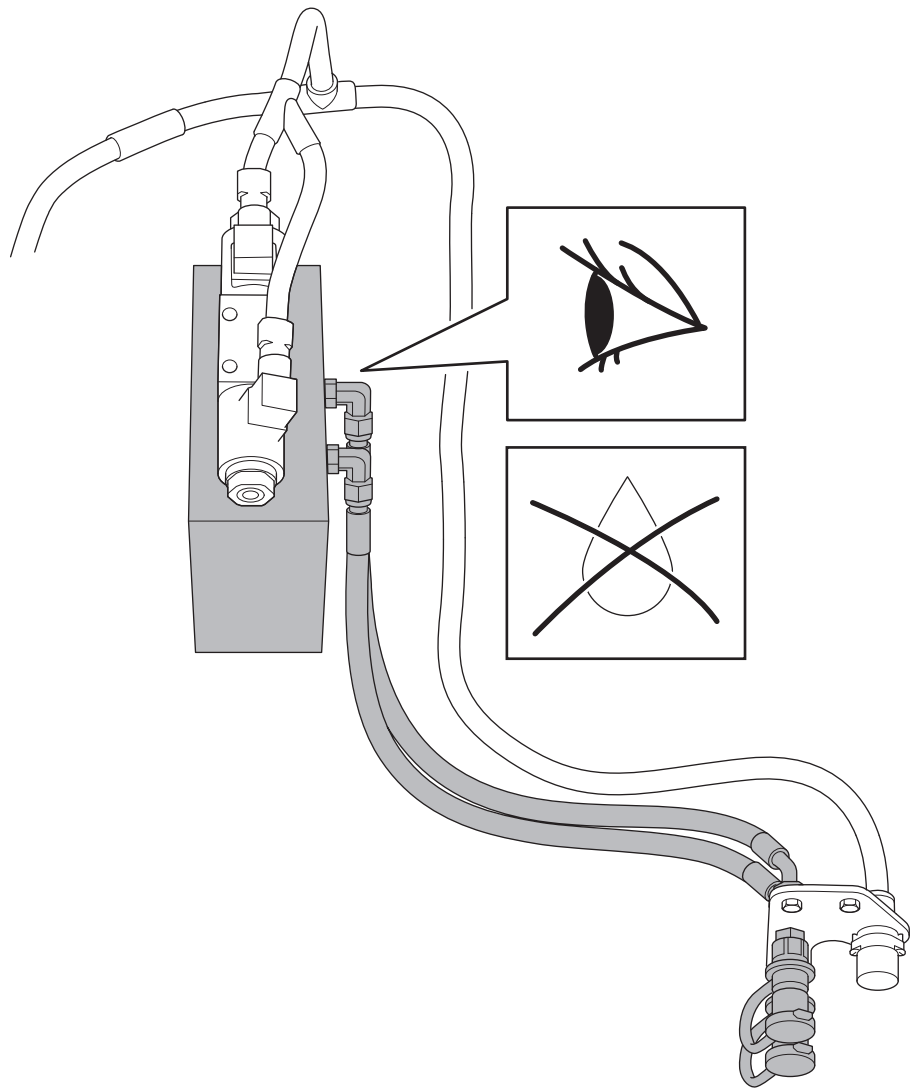
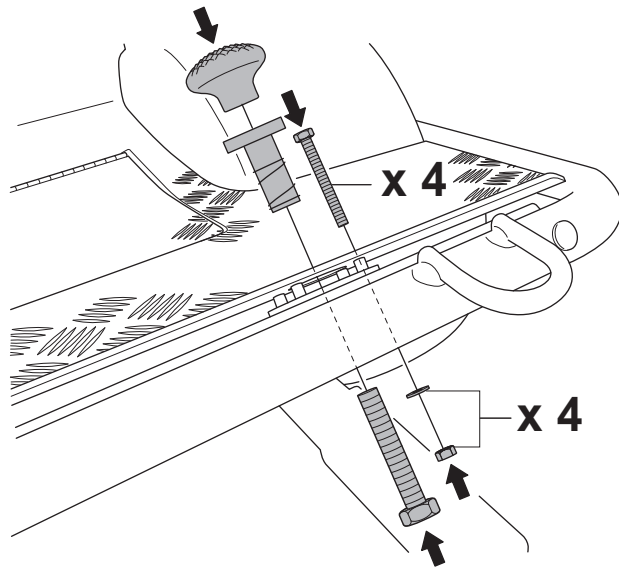


36



37





1150333-01



2006W42