

K750

Reservdelar

Spare parts

Ersatzteile

Pieces de rechange

Piezas de repuesto

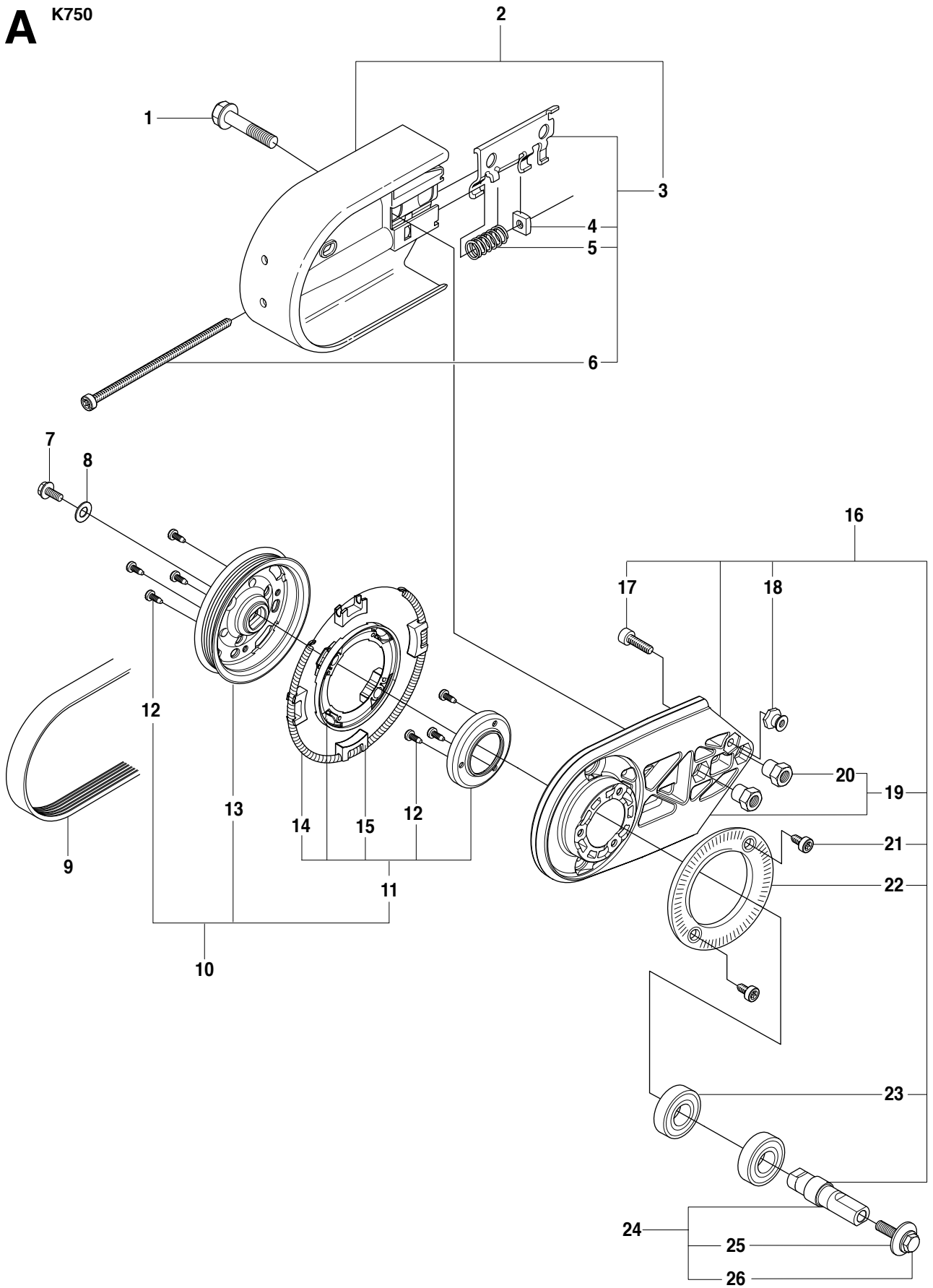
Ricambi

Peças sobresselente

No.	Pos.	Description	No.	Pos.	Description
501 01 88-01	F2	HOUSING	505 09 54-01	N	HOSE KIT
501 01 94-01	F2	SWITCH	505 09 55-01	GN	HOSE KIT
501 01 95-01	P	SWITCH	505 10 35-01	N	O-RING
501 27 08-01	C	GUIDE BUSHING	505 19 52-01	F1F2	FUEL HOSE
501 31 89-01	F2	LABEL	505 25 96-01	D	MUFFLER MOUNTING KIT
501 37 13-01	F1F2	LID	505 27 75-16	J	ISOLERHATT
501 48 54-02	J	SPARK PLUG CAP	505 42 44-01	D	SPRING RETAINER
501 63 48-01	J	SPRING	505 42 45-01	D	VIB.INSULATOR
501 67 32-03	J	PAWL	505 44 54-03	A	RETARDER CPL
501 98 10-01	C	SCREW	505 57 41-16	AB	SCREW
502 23 33-01	F2P	KIT BREAK PIN	506 00 69-01	J	SCREW
502 28 70-01	P	KIT SWITCH OFF	506 02 87-01	B	FLANGE WASHER
502 28 92-02	C	DRIVING PULLEY ASSY	506 02 88-30	B	BUSHING
502 29 50-02	E	CRANKSHAFT ASSY	506 07 09-01	B	FLANGE WASHER
503 12 79-01	H	STARTER HANDLE	506 13 95-11	A	WASHER
503 14 29-02	Q	WASHER	506 13 96-01	A	COLLAR SCREW
503 16 40-01	F1F2	TANK VENT	506 14 32-01	A	TORSION STOP
503 20 00-45	A	SCREW	506 22 28-02	F1F2	THROTTLE LOCKOUT
503 20 72-05	A	SCREW	506 22 28-03	F2	THROTTLE LOCKOUT
503 21 28-10	AF1F2HJ	SCREW	506 23 64-15	K	LABEL
503 21 45-16	F1F2	SCREW	506 24 34-35	B	LABEL
503 21 53-10	AGL	SCREW	506 24 35-25	B	LABEL
503 21 53-16	DQ	SCREW	506 25 14-01	H	GROMMET
503 21 53-20	BJLQ	SCREW	506 25 30-01	H	COMPRESSION SPRING
503 21 53-21	CHK	SCREW	506 25 59-03	F1	TANK CAP ASSY
503 21 53-25	D	SCREW	506 25 59-03	F2	TANK CAP ASSY
503 21 53-40	DG	SCREW	506 25 81-02	H	STARTER PULLEY
503 21 53-41	C	SCREW	506 25 89-01	H	RECOIL SPRING
503 21 53-56	DKL	SCREW	506 25 90-25	K	LABEL
503 21 54-20	F1F2GN	SCREW	506 26 31-01	H	SPACING SLEEVE
503 22 10-11	J	NUT	506 26 41-01	F1F2	FUEL FILTER
503 22 65-04	CDF1F2LQ	NUT	506 26 41-11	F1F2	FUEL FILTER
503 23 00-42	J	WASHER STEEL	506 26 63-02	BQ	LINING
503 23 00-70	C	WASHER STEEL	506 26 64-01	B	SCREEN PATTERN
503 23 01-01	J	WASHER STEEL			FLANG
503 23 01-16	A	WASHER STEEL	506 26 65-01	B	FLANGE
503 23 04-02	D	WASHER	506 26 66-04	A	BELT TENSIONER ASSY
503 23 51-09	J	SPARK PLUG	506 26 68-01	A	COMPRESSION SPRING
503 25 21-01	A	BALL BEARING	506 27 11-01	F1F2	HOSE CLAMP
503 25 56-01	D	NEEDLE BEARING	506 27 27-10	J	FLYWHEEL
503 25 56-01	E	NEEDLE BEARING	506 28 41-02	B	LABEL
503 26 02-04	CDLP	SEALING RING	506 28 41-04	B	LABEL
503 26 60-03	GN	COUPLER	506 28 41-12	B	LABEL
503 26 60-04	GN	COUPLER	506 28 41-14	B	LABEL
503 28 32-09	LM	CARBURETTOR	506 28 44-01	A	COLLAR SCREW
503 28 90-47	D	PISTON RING	506 28 73-01	A	NUT
503 40 06-09	L	IMPULSE HOSE	506 28 84-01	A	RATCHET FLANGE
503 47 96-01	M	SCREW	506 29 21-01	F1F2	GASKET
503 48 00-01	M	PIN RETAINING SCREW	506 29 57-02	N	NIPPLE
503 48 11-01	M	PIECE	506 29 75-02	Q	STARTER HANDLE
503 48 18-01	M	SCREW	506 29 76-01	Q	SHOULDER STRAP
503 53 56-01	M	PLUG WELCH	506 29 83-65	A	SHAFT
503 53 57-01	M	STRAINER	506 29 88-01	N	FILTER
503 55 22-01	D	PLUG	506 30 23-02	Q	LABEL
503 57 89-01	F1F2	TANK CAP HOLDER	506 30 25-04	Q	BRACKET
503 61 66-01	M	GASKET PUMP	506 30 97-05	A	LABEL
503 71 53-01	D	DECOMPRESSION VALVE	506 31 30-01	F1F2	LABEL
503 74 43-01	C	CLUTCH SPRING	506 31 69-01	C	DUST COVER
503 74 44-04	C	CLUTCH ASSY	506 31 86-02	F1F2	STOP SWITCH
503 84 61-01	C	BUFFER	506 31 86-02	J	STOP SWITCH
503 93 66-01	F1F2	PRIMER HOUSING	506 32 20-02	Q	LABEL
504 03 70-07	A	PULLEY WITH RETARDER	506 32 22-02	Q	LABEL
504 06 22-01	A	PULLEY	506 32 48-01	B	SUPPORT FLANGE
504 35 72-01	F1F2	SINTER PLUG	506 33 56-15	H	STARTER CORD
504 63 42-01	N	NIPPLE	506 33 56-50	H	STARTER CORD
504 63 44-01	N	HOUSING	506 34 05-42	B	WHEEL GUARD ASSY
504 63 45-01	N	HOUSING	506 34 05-44	B	WHEEL GUARD ASSY
504 63 46-01	N	SCREW	506 34 05-52	Q	WHEEL GUARD ASSY
505 03 89-01	K	LABEL	506 34 46-02	BQ	HANDLE
505 03 89-02	K	LABEL	506 36 42-04	D	MUFFLER

No.	Pos.	Description	No.	Pos.	Description
506 36 68-02	K	FILTER COVER	506 39 75-01	M	SPRING
506 36 69-02	K	FILTER BOTTOM	506 39 78-01	M	VALVE
506 36 71-01	K	PREFILTER	506 39 79-01	M	WASHER
506 36 72-03	L	AIR FILTER PAPER	506 39 84-02	K	CYLINDER COVER ASSY
506 36 88-01	D	BRACKET	506 39 84-05	K	CYLINDER COVER ASSY
506 36 92-03	H	STARTER COVER	506 39 90-01	M	O-RING
506 36 97-01	L	INLET PIPE	506 39 91-01	M	PLUG
506 36 98-01	L	INLET PIPE	506 40 93-01	A	NUT
506 37 03-01	K	AIR NOZZLE	506 40 99-01	M	GASKET KIT
506 37 04-01	K	BELLOWS	506 41 00-01	M	GASKET KIT CARB
506 37 05-01	L	FLANGE INLET PIPE	506 41 23-01	CDLP	GASKET
506 37 06-01	L	FLANGE INLET PIPE	506 49 87-01	N	HOSE CLAMP
506 37 11-03	G	FRONT HANDLE	506 49 87-02	N	HOSE CLAMP
506 37 13-01	F1F2	THROTTLE ROD	506 60 68-06	N	HOSE
506 37 19-02	F1F2	BASE PLATE	506 60 75-01	N	HOSE
506 37 20-03	F1F2	THROTTLE TRIGGER	510 11 56-02	J	IGNITION MODULE
506 37 20-04	F2	THROTTLE TRIGGER	510 18 12-01	LM	CARBURETTOR
506 37 24-01	D	PISTON ASSY	510 26 92-22	H	SCREW
506 37 55-02	G	GROUND SUPPORT	520 75 73-04	D	CYLINDER ASSY
506 37 56-02	G	GROUND SUPPORT	522 60 75-01	M	VALVE
506 37 58-02	D	COOLING PLATE	522 98 08-01	C	BELT GUARD
506 37 67-01	CDLP	CYLINDER BASE GASKET	525 83 18-01	C	BALL BEARING
506 37 68-03	CDLP	GASKET CARBURETTOR	537 01 25-01	M	BALL
506 37 69-02	CDLP	GASKET MUFFLER	537 01 26-01	M	SPRING
506 37 70-02	CDLP	GASKET CRANKCASE	537 04 24-14	F1F2	FUEL HOSE
506 37 70-03	CDLP	GASKET CRANKCASE	537 17 62-01	M	VALVE
506 37 72-02	G	SPRING RETAINER	537 17 64-01	M	LEVER
506 37 80-01	F1F2	GROMMET	537 17 70-01	M	VALVE
506 37 84-02	J	CABLE	537 17 78-01	M	PLUG
506 37 85-01	J	CABLE	537 20 33-01	E	CUP
506 37 95-01	F1F2	SPRING	537 21 03-06	G	AV-ELEMENT
506 37 96-20	B	BUSHING	537 21 03-07	F1F2	VIBRATION ABSORBER
506 37 96-22	B	BUSHING	537 27 34-01	M	SPRING
506 37 96-25	B	BUSHING	537 38 51-01	M	SCREW
506 38 15-01	F1F2	HEAT SHIELD	537 38 52-01	M	E-CLIP
506 38 26-01	P	COMBINATION TOOL	544 00 78-01	C	BRACKET
506 38 53-05	CDLP	GASKET KIT	544 06 12-01	CDF1F2G	SCREW
506 38 56-13	H	STARTER	544 08 21-01	M	SCREW
506 38 58-04	G	HANDLE	544 08 22-01	M	SCREW
506 38 60-12	N	VALVE ASSY	544 18 16-02	L	FILTER
506 38 62-01	K	COVER	544 21 93-02	CDLP	INSERT
506 38 65-08	F1F2	FUEL TANK	544 22 90-02	F1F2	CHOKE CONTROL
506 38 65-12	F1F2	FUEL TANK	544 23 82-01	F1F2	BAND
506 38 66-01	F1F2	TANK VENT ASSY	544 32 49-29	F1F2	FUEL HOSE
506 38 67-02	F1F2	GROUND SUPPORT	544 32 49-37	F2	FUEL HOSE
506 38 71-02	G	STOP	544 32 50-03	F1F2	FUEL HOSE
506 38 78-34	J	IGNITION CABLE	544 35 26-01	L	PLATE
506 39 32-02	L	CARBURETTOR	544 38 39-01	H	AIR CONDUCTOR
BRACKET			544 38 41-01	F2	ELECTRONIC BOX
506 39 36-02	A	BELT GUARD	544 38 49-01	J	CABLE
506 39 42-06	A	BEARING HOUSING	544 39 32-01	F1F2	HOSE CLIP
506 39 42-08	A	BEARING HOUSING	544 44 04-02	A	BRAKE SHOE
506 39 46-02	F1F2	CAP	544 44 10-01	A	SPRING
506 39 54-01	M	COLLAR	544 83 64-01	M	PUMP COVER
506 39 55-01	M	COVER	544 83 65-01	M	SPRING
506 39 56-01	M	COVER	544 87 46-02	K	LABEL
506 39 57-01	M	DIAPHRAGM ASSY	544 88 90-06	C	CRANKCASE ASSY
506 39 58-01	M	GASKET	544 88 90-08	R	CRANKCASE ASSY
506 39 60-01	M	DIAPHRAGM PUMP	544 89 06-02	Q	LABEL
506 39 61-01	M	NOZZLE ASSY	544 89 08-02	H	LABEL
506 39 62-01	M	GASKET	544 89 09-01	K	LABEL
506 39 64-01	M	QUAD RING	544 89 09-02	K	LABEL
506 39 65-01	M	ROD	544 89 10-03	K	LABEL
506 39 66-01	M	SCREW	544 89 10-04	K	LABEL
506 39 69-01	M	SCREW	544 89 10-05	K	LABEL
506 39 70-01	M	SCREW	544 89 11-01	C	LABEL
506 39 71-01	M	SHAFT ASSY	544 90 84-02	A	BELT
506 39 72-01	M	SCREW	544 97 93-01	J	CABLE
506 39 73-01	M	SHAFT ASSY CHOKE	720 12 40-20	F1F2	PARALLEL PIN
506 39 74-01	M	SHAFT ASSY	737 43 12-00	D	CIRCLIP

A K750

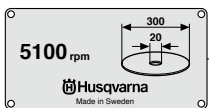
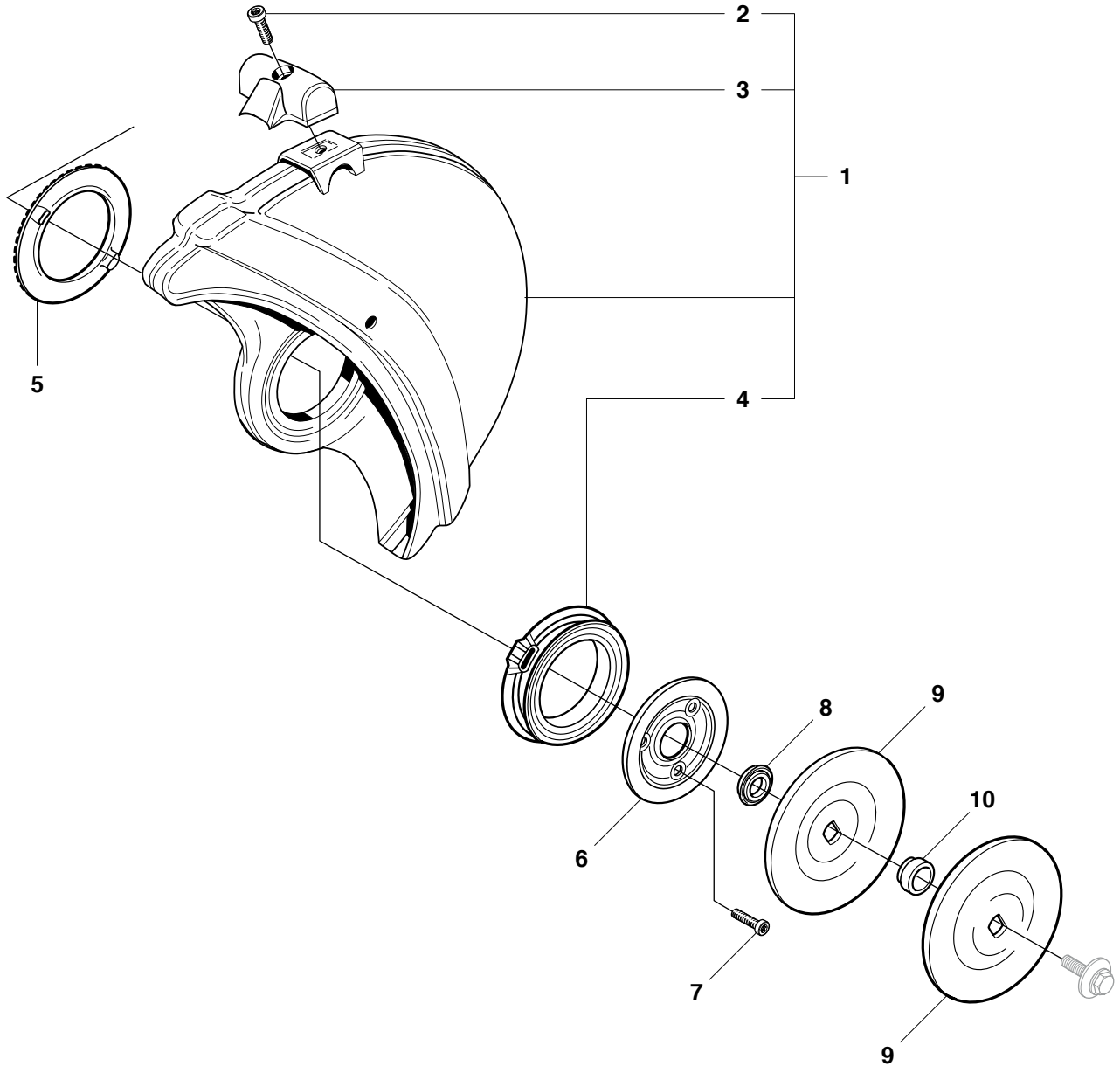


★Vベルトの張り直し
 Vベルトカバー上の2箇のナットを緩め、V
 ベルトカバー上の「矢印」位置に四角ナットを
 セットします。再び2箇のナットを締め付けます。



Page A
K750

Pos.	Part No.	Description	Quantity	Notes	New Part
1	506 28 44-01	COLLAR SCREW	2		New Part
2	506 39 36-02	BELT GUARD	1	Incl. 3	
3	506 26 66-04	BELT TENSIONER ASSY	1	Incl. 4 - 6	
4	506 40 93-01	NUT	1		
5	506 26 68-01	COMPRESSION SPRING	1		
6	503 20 72-05	SCREW	1		
7	503 20 00-45	SCREW	1		
8	503 23 01-16	WASHER STEEL	1		
9	544 90 84-02	BELT	1		
10	504 03 70-07	PULLEY WITH RETARDER	1	Incl. 11 - 13	New Part
11	505 44 54-03	RETARDER CPL	1	Incl. 12, 14 - 15	
12	503 21 28-10	SCREW	7		
13	504 06 22-01	PULLEY	1		New Part
14	544 44 10-01	SPRING	1		
15	544 44 04-02	BRAKE SHOE	4		
16	506 39 42-08	BEARING HOUSING	1	Incl. 17 - 19, 21 - 23	New Part
17	505 57 41-16	SCREW	1		New Part
18	506 14 32-01	TORSION STOP	1		
19	506 39 42-06	BEARING HOUSING	1	Incl. 20	
20	506 28 73-01	NUT	2		
21	503 21 53-10	SCREW	2		
22	506 28 84-01	RATCHET FLANGE	1		
23	503 25 21-01	BALL BEARING	2		
24	506 29 83-65	SHAFT	1	Incl. 25 - 26	New Part
25	506 13 95-11	WASHER	1		
26	506 13 96-01	COLLAR SCREW	1		
27	506 30 97-05	LABEL	1	Japan only	



11

△ 取扱上のご注意 △

パートナーカッターは、取扱いを誤ると危険を及ぼすことがあります。安全作業のために取扱説明書に従ってください。

- このパートナーカッターは、全ての使用法、メンテナンス方法、安全面の注意を、よく読み、理解しよて取り扱ってください。
- 誤用として使用されるパートナーカッター用として製造された機器にはは使用できません。
- 取扱いに違反、ディスクカッターに接触しないが危険です。
- 常に、保護メガネ、ヘルメット、安全靴、安全手袋、安全作業服など、着用してください。
- 保護メガネ、作業服等着用を怠らなければなりません。
- ディスクカッターの回転速度は常に規定値を必ず確認して下さい。
- 切断中は、フレッドをコントロールし、無理に押し込まないで下さい。
- 切断後の切断部は必ず冷却してから取り扱ってください。

Husqvarna

12

御注意

本機に使用するカッターディスク（替刃）は輸入品。国産品ともにメーカー指定品も御使用下さい。ディスクには必ずHusqvarna（ハスクバーナ）の表示があります。国産品のディスクは安全性に欠けます。指定外のディスクを使用した際の事故については、当社は責任を負いません。尚、取扱説明書を見ず御購入の上御使用下さい。

Husqvarna

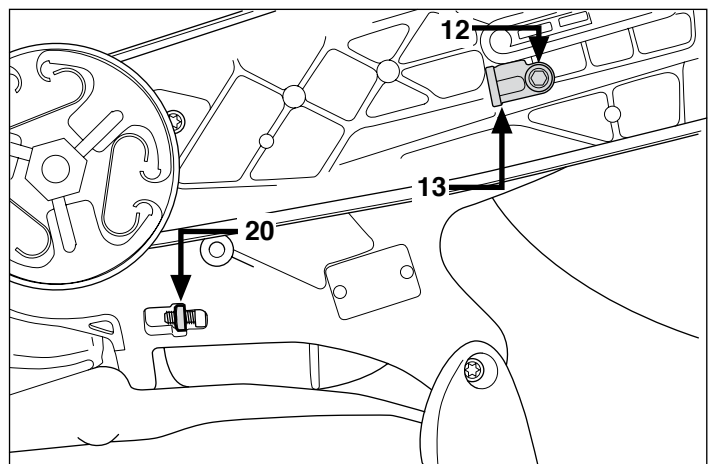
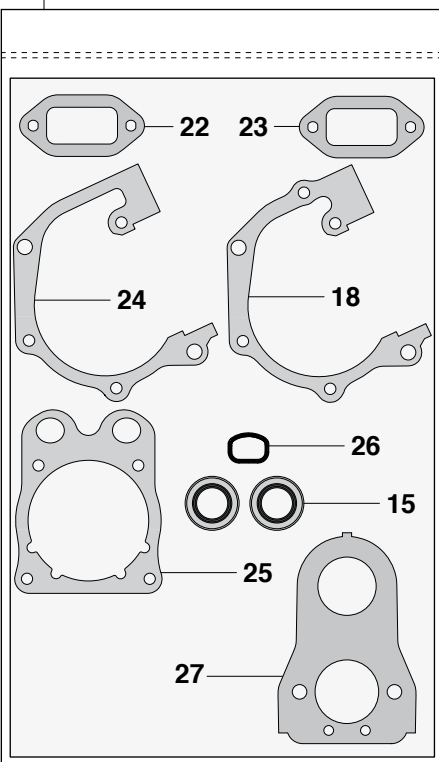
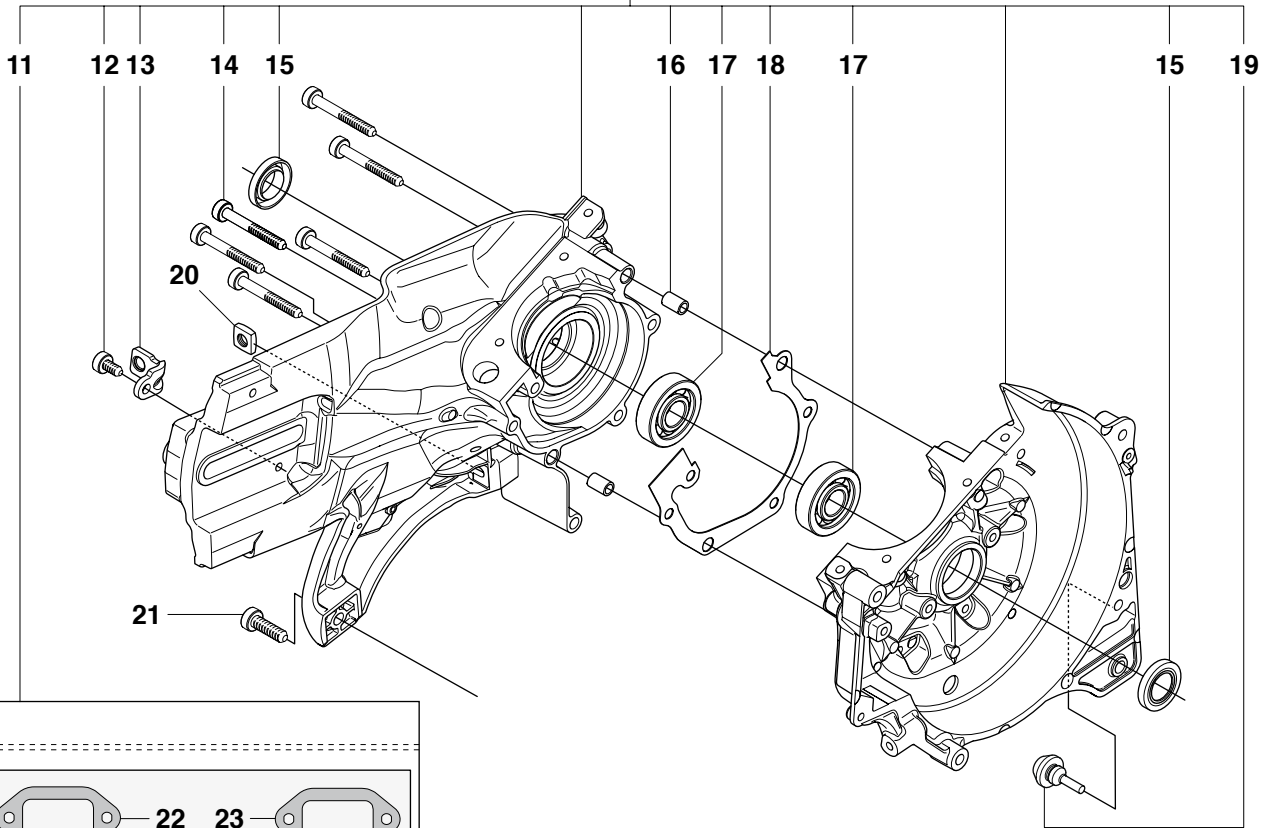
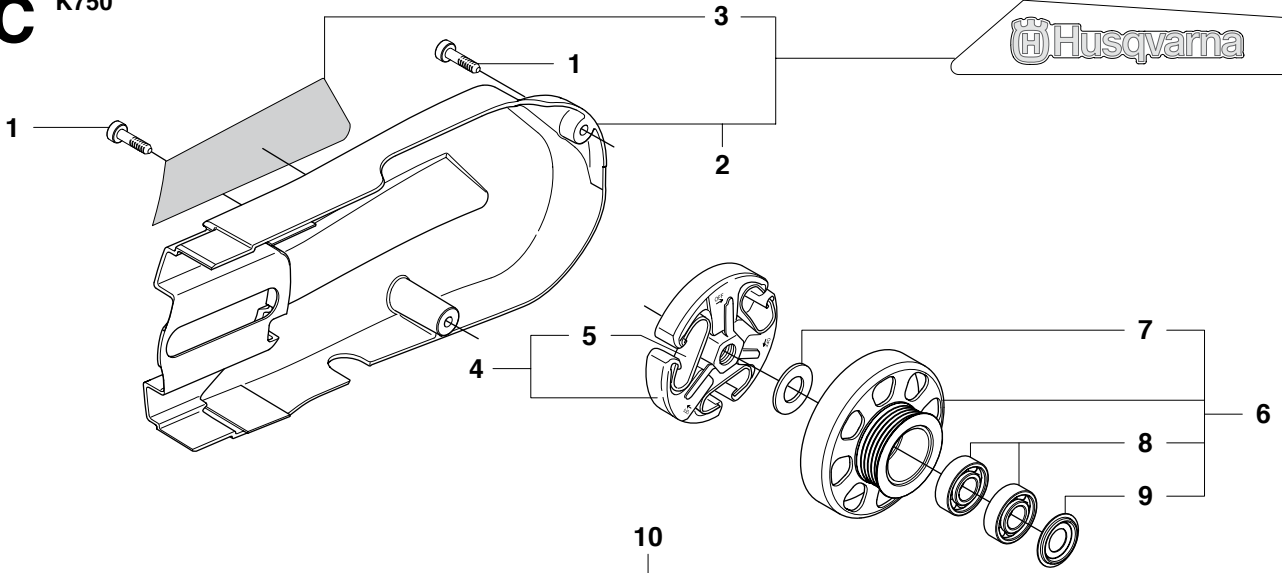
13

Page B
K750

Pos.	Part No.	Description	Quantity	Notes	New Part
1	506 34 05-42	WHEEL GUARD ASSY	1	12", Incl. 2 - 4	
1	506 34 05-44	WHEEL GUARD ASSY	1	14", Incl. 2 - 4	
2	503 21 53-20	SCREW	1		New Part
3	506 34 46-02	HANDLE	1		
4	506 26 63-02	LINING	1		
5	506 26 64-01	SCREEN PATTERN FLANG	1		
6	506 26 65-01	FLANGE	1		
7	505 57 41-16	SCREW	3		New Part
8	506 32 48-01	SUPPORT FLANGE	1		
9	506 02 87-01	FLANGE WASHER	2	Diam 105 mm	
9	506 07 09-01	FLANGE WASHER	2	Diam 119 mm	
10	506 37 96-20	BUSHING	1	Diam 20 mm	
10	506 37 96-22	BUSHING	1	Diam 22,2 mm	
10	506 37 96-25	BUSHING	1	Diam 25,4 mm	
10	506 02 88-30	BUSHING	1	Diam 30,5 mm	
11	506 28 41-04	LABEL	1	12", Diam 1"	
11	506 28 41-02	LABEL	1	12", Diam 20 mm	
11	506 28 41-14	LABEL	1	14", Diam 1"	
11	506 28 41-12	LABEL	1	14", Diam 20 mm	
12	506 24 34-35	LABEL	1	Japan only	
13	506 24 35-25	LABEL	1	Japan only	

C K750

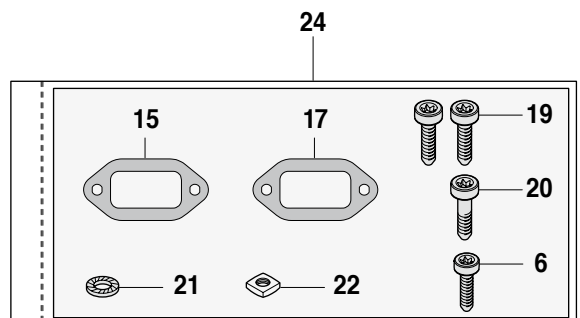
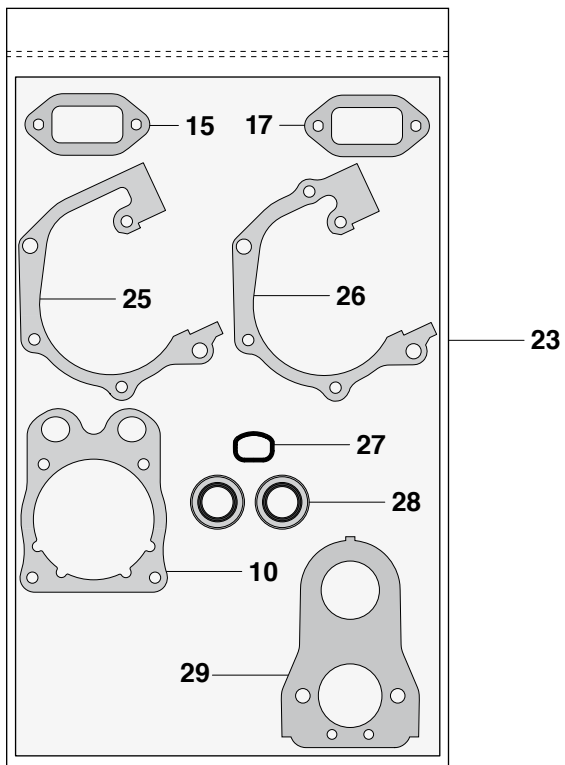
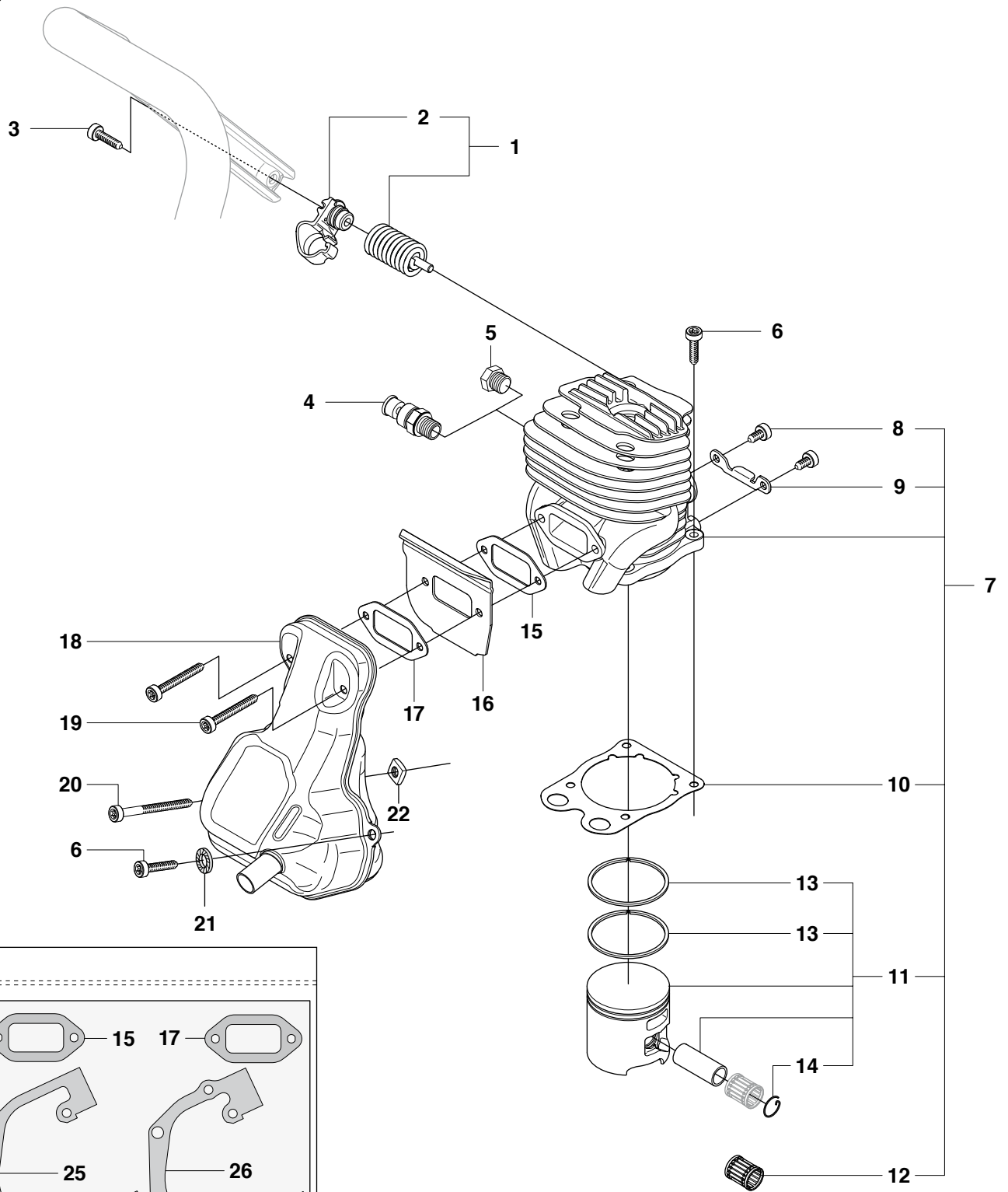
Husqvarna



Page C
K750

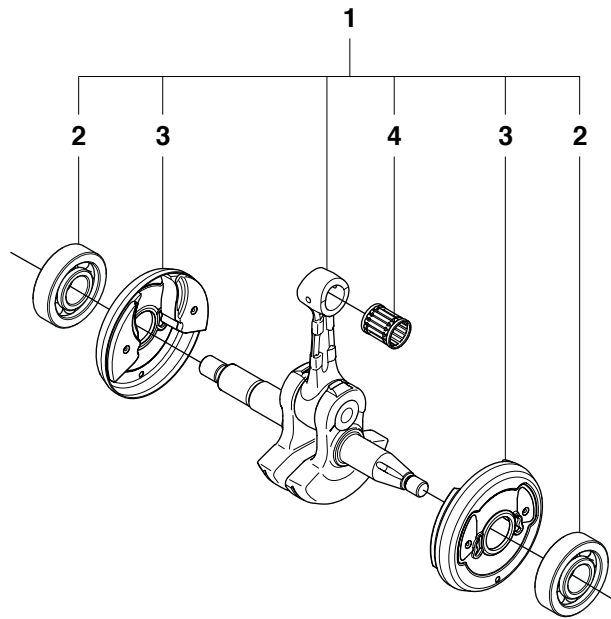
Pos.	Part No.	Description	Quantity	Notes	New Part
1	503 21 53-21	SCREW	2		
2	522 98 08-01	BELT GUARD	1	Incl. 3	New Part
3	544 89 11-01	LABEL	1		
4	503 74 44-04	CLUTCH ASSY	1	Incl. 5	
5	503 74 43-01	CLUTCH SPRING	3		
6	502 28 92-02	DRIVING PULLEY ASSY	1	Incl. 7 - 9	
7	503 23 00-70	WASHER STEEL	1		
8	525 83 18-01	BALL BEARING	2		New Part
9	506 31 69-01	DUST COVER	1		
10	544 88 90-06	CRANKCASE ASSY	1	Incl. 11 - 19	
11	506 38 53-05	GASKET KIT	1	Incl. 15, 18, 22 - 27	
12	501 98 10-01	SCREW	1		New Part
13	544 00 78-01	BRACKET	1		
14	503 21 53-41	SCREW	6		
15	503 26 02-04	SEALING RING	2		
16	501 27 08-01	GUIDE BUSHING	2		
17	738 22 02-25	BALL BEARING	2		
18	506 37 70-03	GASKET CRANKCASE	1		
19	503 84 61-01	BUFFER	1		
20	503 22 65-04	NUT	1		
21	544 06 12-01	SCREW	1		
22	506 41 23-01	GASKET	1		
23	506 37 69-02	GASKET MUFFLER	1		
24	506 37 70-02	GASKET CRANKCASE	1		
25	506 37 67-01	CYLINDER BASE GASKET	1		
26	544 21 93-02	INSERT	1		
27	506 37 68-03	GASKET CARBURETTOR	1		

D K750



Page D
K750

Pos.	Part No.	Description	Quantity	Notes	New Part
1	505 42 45-01	VIB.INSULATOR	1	Incl. 2	
2	505 42 44-01	SPRING RETAINER	1		
3	544 06 12-01	SCREW	1		
4	503 71 53-01	DECOMPRESSION VALVE	1		
5	503 55 22-01	PLUG	1		
6	503 21 53-25	SCREW	5		
7	520 75 73-04	CYLINDER ASSY	1	Incl. 8 - 12	New Part
8	503 21 53-16	SCREW	2		
9	506 36 88-01	BRACKET	1		
10	506 37 67-01	CYLINDER BASE GASKET	1		
11	506 37 24-01	PISTON ASSY	1	Incl. 13 - 14	
12	503 25 56-01	NEEDLE BEARING	1		
13	503 28 90-47	PISTON RING	2		
14	737 43 12-00	CIRCLIP	2		
15	506 41 23-01	GASKET	1		
16	506 37 58-02	COOLING PLATE	1		
17	506 37 69-02	GASKET MUFFLER	1		
18	506 36 42-04	MUFFLER	1		New Part
19	503 21 53-40	SCREW	2		New Part
20	503 21 53-56	SCREW	1		
21	503 23 04-02	WASHER	1		
22	503 22 65-04	NUT	1		
23	506 38 53-05	GASKET KIT	1	Incl. 10, 15, 17, 25 - 29	
24	505 25 96-01	MUFFLER MOUNTING KIT	1	Incl. 6, 15, 17, 19 - 22	
25	506 37 70-02	GASKET CRANKCASE	1		
26	506 37 70-03	GASKET CRANKCASE	1		
27	544 21 93-02	INSERT	1		
28	503 26 02-04	SEALING RING	2		
29	506 37 68-03	GASKET CARBURETTOR	1		

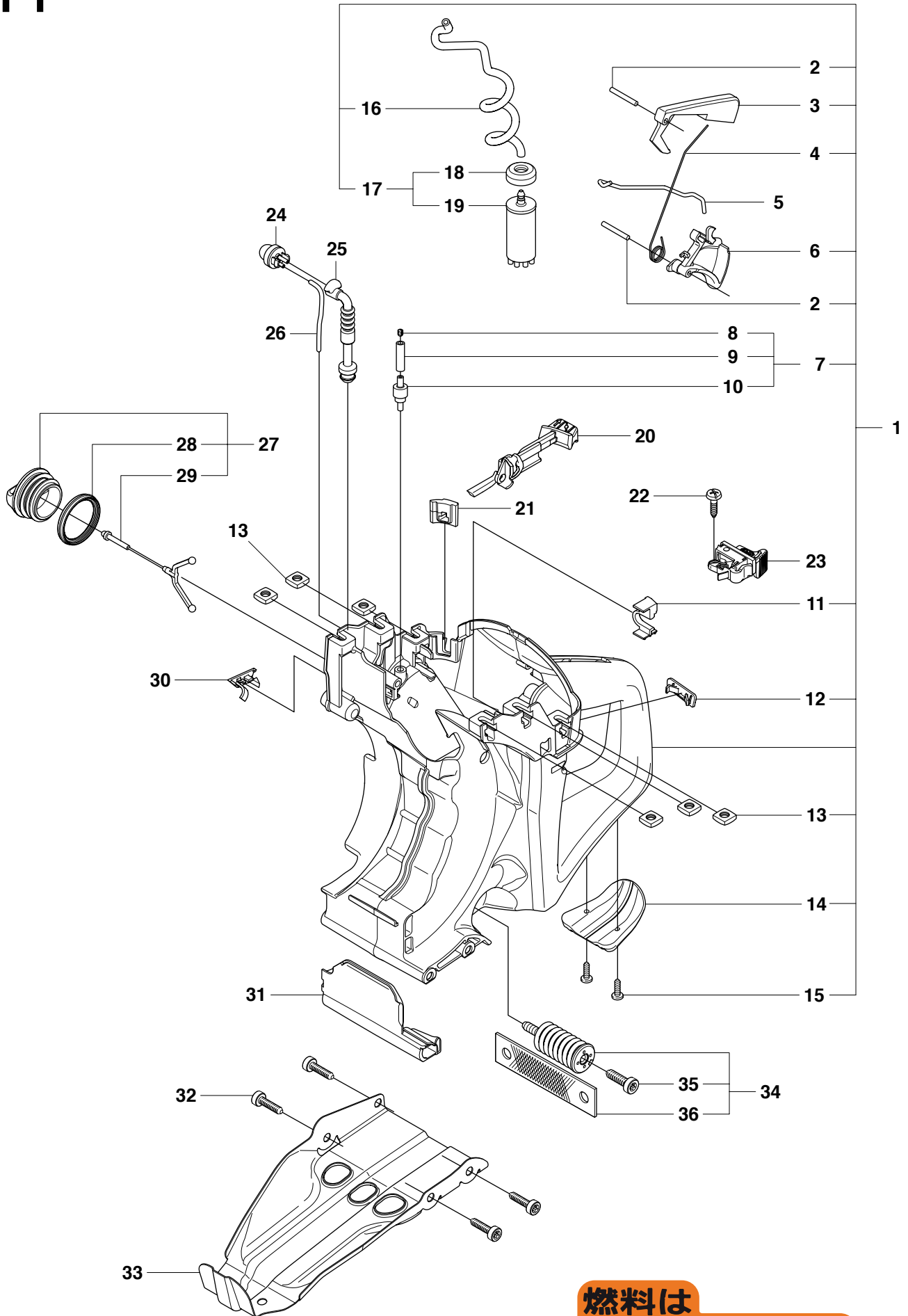


Page E
K750

Pos.	Part No.	Description	Quantity	Notes	New Part
1	502 29 50-02	CRANKSHAFT ASSY	1	Incl. 2 - 4	
2	738 22 02-25	BALL BEARING	2		
3	537 20 33-01	CUP	2		
4	503 25 56-01	NEEDLE BEARING	1		

F1

K750



燃料は

ガソリン

25 : 1

2サイクル専用オイル

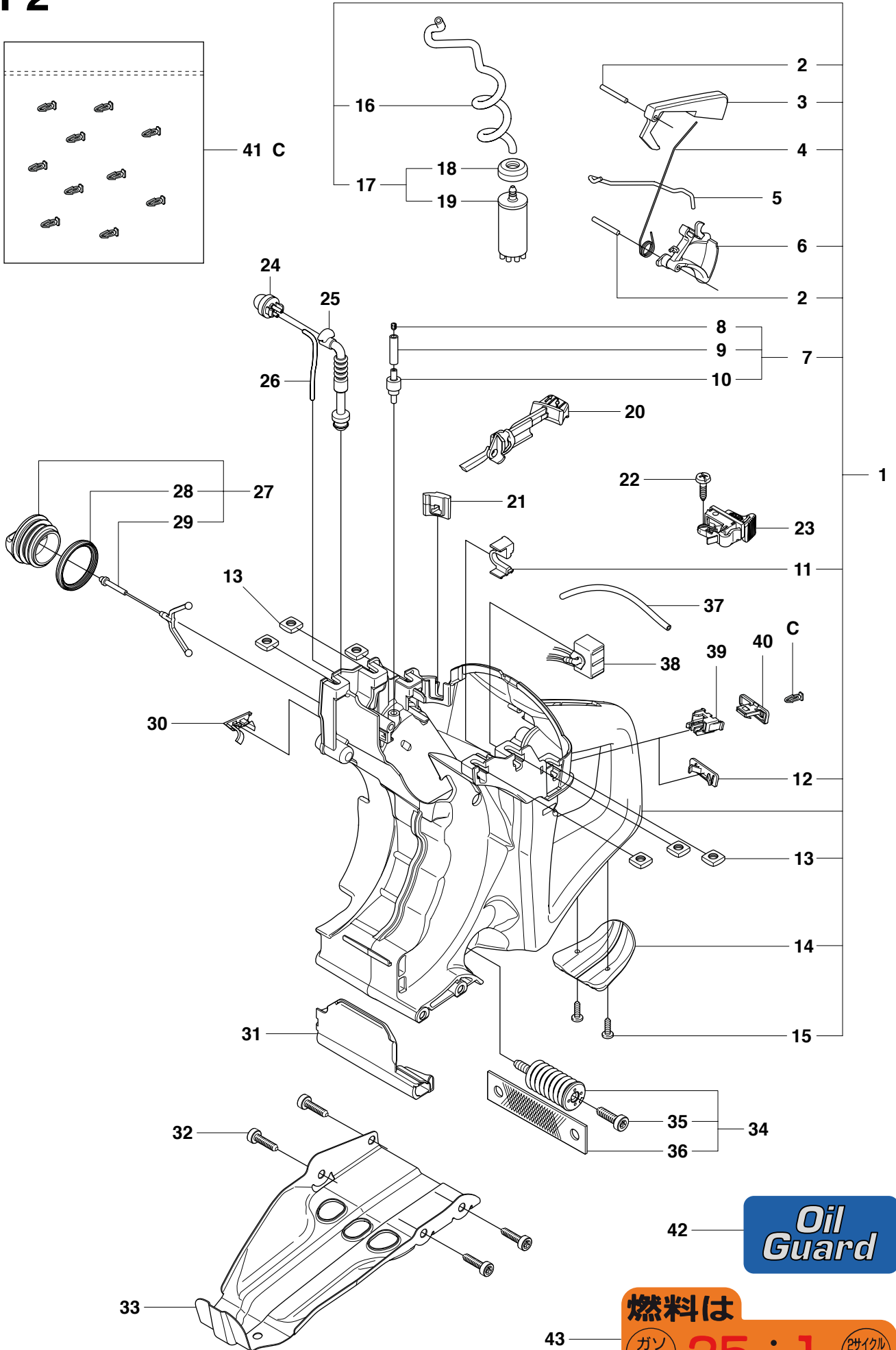
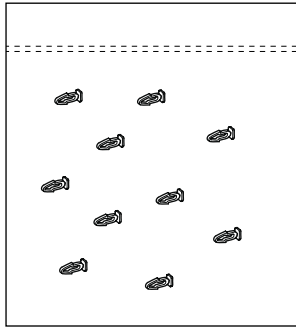
37

Page F1**K750**

Pos.	Part No.	Description	Quantity	Notes	New Part
1	506 38 65-08	FUEL TANK	1	Incl. 2 - 4, 6 - 7, 11 - 17, Purge	
1	506 38 65-12	FUEL TANK	1	Incl. 2 - 4, 6 - 7, 11 - 17	
2	720 12 40-20	PARALLEL PIN	2		
3	506 22 28-02	THROTTLE LOCKOUT	1		
4	506 37 95-01	SPRING	1		
5	506 37 13-01	THROTTLE ROD	1		
6	506 37 20-03	THROTTLE TRIGGER	1		
7	506 38 66-01	TANK VENT ASSY	1	Incl. 8 - 10	
8	504 35 72-01	SINTER PLUG	1		
9	544 32 49-29	FUEL HOSE	1		
10	503 16 40-01	TANK VENT	1		
11	544 39 32-01	HOSE CLIP	1		
12	501 37 13-01	LID	1		
13	503 22 65-04	NUT	6		
14	506 38 67-02	GROUND SUPPORT	1		
15	503 21 45-16	SCREW	2		
16	544 32 50-03	FUEL HOSE	1		
17	506 26 41-11	FUEL FILTER	1	Incl. 18 - 19	
18	506 27 11-01	HOSE CLAMP	1		
19	506 26 41-01	FUEL FILTER	1		
20	544 22 90-02	CHOKE CONTROL	1		
21	506 37 80-01	GROMMET	1		
22	503 21 28-10	SCREW	1		
23	506 31 86-02	STOP SWITCH	1		
24	503 93 66-01	PRIMER HOUSING	1	Purge	
25	505 19 52-01	FUEL HOSE	1	Purge	
26	537 04 24-14	FUEL HOSE	1	Purge	
27	506 25 59-03	TANK CAP ASSY	1	Incl. 28 - 29	
28	506 29 21-01	GASKET	1		
29	503 57 89-01	TANK CAP HOLDER	1		
30	506 39 46-02	CAP	1		
31	506 38 15-01	HEAT SHIELD	1		
32	503 21 54-20	SCREW	4		
33	506 37 19-02	BASE PLATE	1		
34	537 21 03-07	VIBRATION ABSORBER	1	Incl. 35 - 36	
35	544 06 12-01	SCREW	1		
36	544 23 82-01	BAND	1		
37	506 31 30-01	LABEL	1	Japan only	

F2

K750 Oil Guard



燃料は

ガソリン

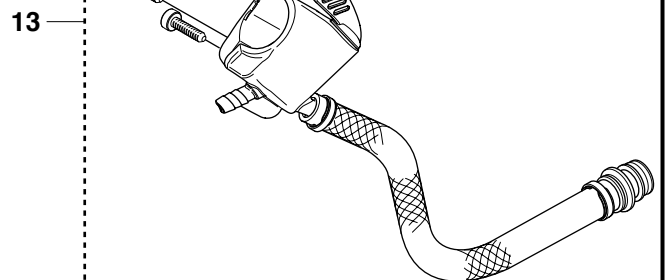
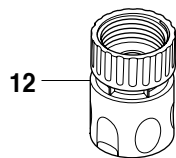
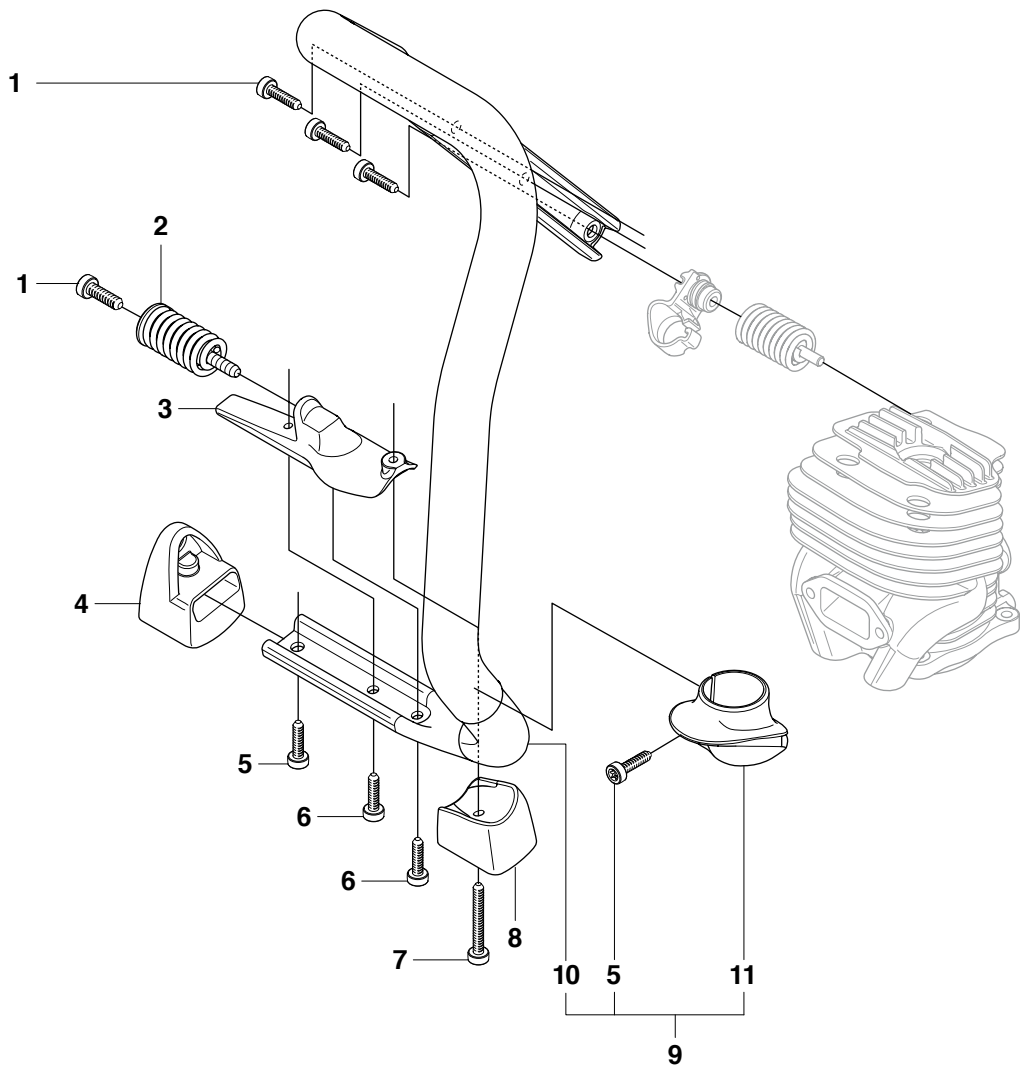
25 : 1

2サイクル専用オイル

Page F2

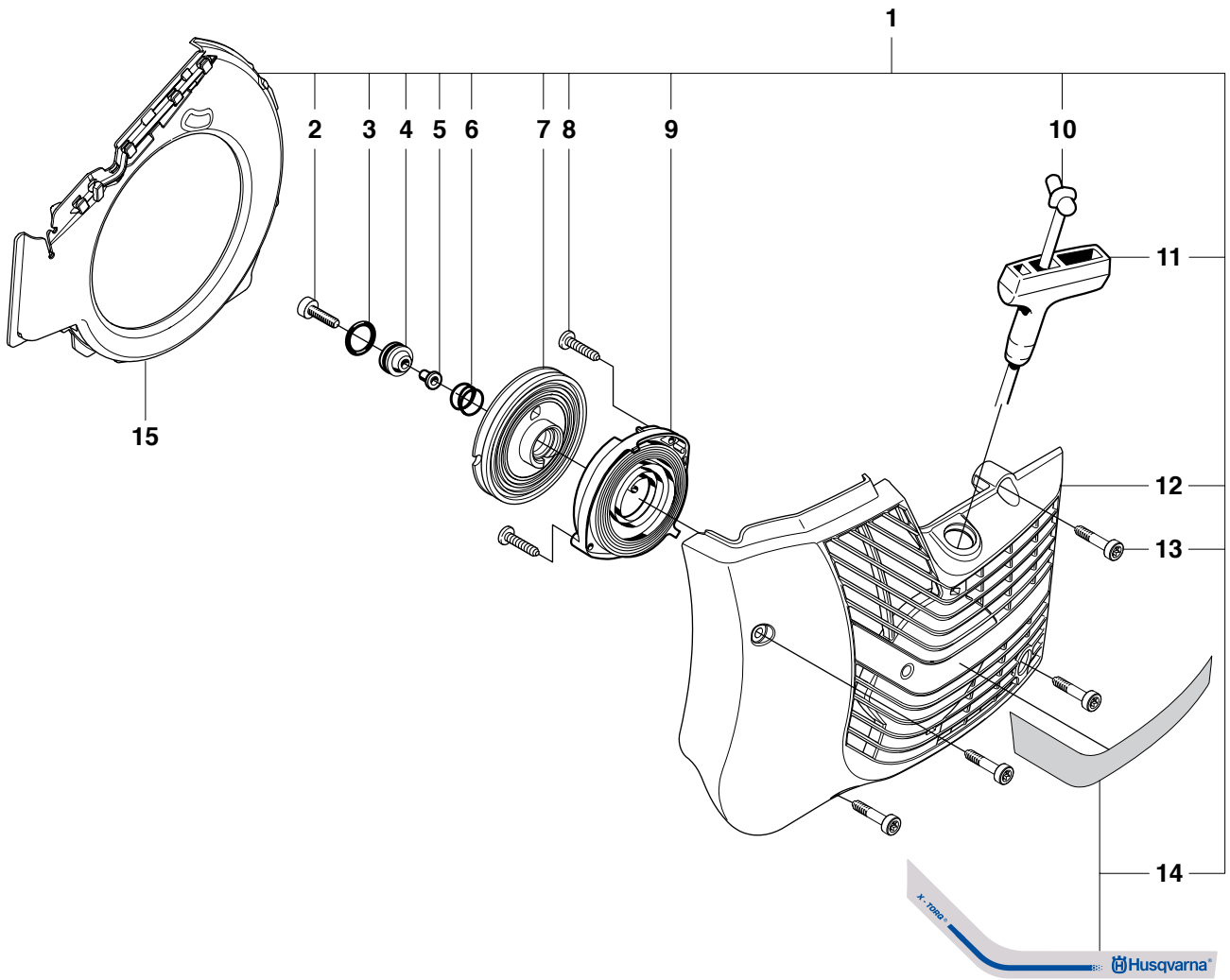
K750 Oil Guard

Pos.	Part No.	Description	Quantity	Notes	New Part
1	506 38 65-08	FUEL TANK	1	Incl. 2 - 4, 3 - 7, 11 - 17, Purge	
1	506 38 65-12	FUEL TANK	1	Incl. 2 - 4, 3 - 7, 11 - 17	
2	720 12 40-20	PARALLEL PIN	2		
3	506 22 28-02	THROTTLE LOCKOUT	1		
3	506 22 28-03	THROTTLE LOCKOUT	1	Blue Oilguard	New Part
4	506 37 95-01	SPRING	1		
5	506 37 13-01	THROTTLE ROD	1		
6	506 37 20-03	THROTTLE TRIGGER	1		
6	506 37 20-04	THROTTLE TRIGGER	1	Blue Oilguard	New Part
7	506 38 66-01	TANK VENT ASSY	1	Incl. 8 - 10	
8	504 35 72-01	SINTER PLUG	1		
9	544 32 49-29	FUEL HOSE	1		
10	503 16 40-01	TANK VENT	1		
11	544 39 32-01	HOSE CLIP	1		
12	501 37 13-01	LID	1		
13	503 22 65-04	NUT	6		
14	506 38 67-02	GROUND SUPPORT	1		
15	503 21 45-16	SCREW	2		
16	544 32 50-03	FUEL HOSE	1		
17	506 26 41-11	FUEL FILTER	1	Incl. 18 - 19	
18	506 27 11-01	HOSE CLAMP	1		
19	506 26 41-01	FUEL FILTER	1		
20	544 22 90-02	CHOKE CONTROL	1		
21	506 37 80-01	GROMMET	1		
22	503 21 28-10	SCREW	1		
23	506 31 86-02	STOP SWITCH	1		
24	503 93 66-01	PRIMER HOUSING	1	Purge	
25	505 19 52-01	FUEL HOSE	1	Purge	
26	537 04 24-14	FUEL HOSE	1	Purge	
27	506 25 59-03	TANK CAP ASSY	1	Incl. 28 - 29	
28	506 29 21-01	GASKET	1		
29	503 57 89-01	TANK CAP HOLDER	1		
30	506 39 46-02	CAP	1		
31	506 38 15-01	HEAT SHIELD	1		
32	503 21 54-20	SCREW	4		
33	506 37 19-02	BASE PLATE	1		
34	537 21 03-07	VIBRATION ABSORBER	1	Incl. 35 - 36	
35	544 06 12-01	SCREW	1		
36	544 23 82-01	BAND	1		
37	544 32 49-37	FUEL HOSE	1	Oil Guard	
38	544 38 41-01	ELECTRONIC BOX	1	Oil Guard	
39	501 01 88-01	HOUSING	1	Oil Guard	
40	501 01 94-01	SWITCH	1	Oil Guard	
41	502 23 33-01	KIT BREAK PIN	1	Oil Guard, Incl. 10 pins	
42	501 31 89-01	LABEL	1	Oil Guard	
43	506 31 30-01	LABEL	1	Japan only	



Page G
K750

Pos.	Part No.	Description	Quantity	Notes	New Part
1	544 06 12-01	SCREW	4		
2	537 21 03-06	AV-ELEMENT	1		
3	506 37 72-02	SPRING RETAINER	1		
4	506 37 55-02	GROUND SUPPORT	1		
5	503 21 54-20	SCREW	2		New Part
6	503 21 53-10	SCREW	2		New Part
7	503 21 53-40	SCREW	1		
8	506 37 56-02	GROUND SUPPORT	1		
9	506 38 58-04	HANDLE	1	Incl. 10 - 12	New Part
10	506 37 11-03	FRONT HANDLE	1		
11	506 38 71-02	STOP	1		
12	503 26 60-03	COUPLER	1	USA	
12	503 26 60-04	COUPLER	1		
13	505 09 55-01	HOSE KIT	1		New Part

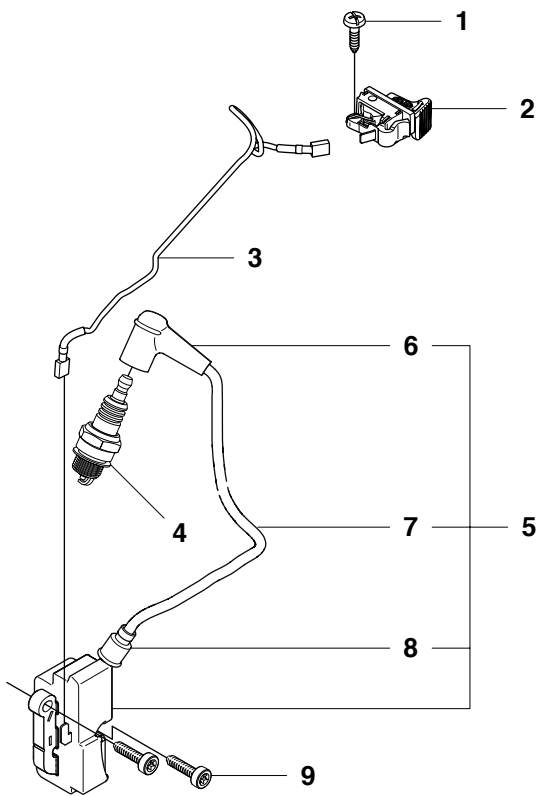


Page H
K750

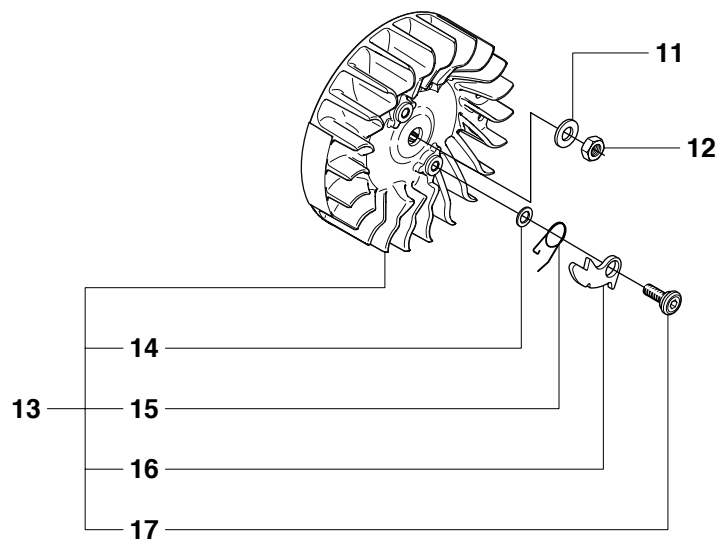
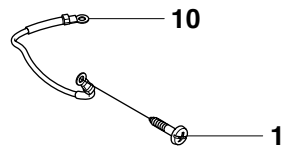
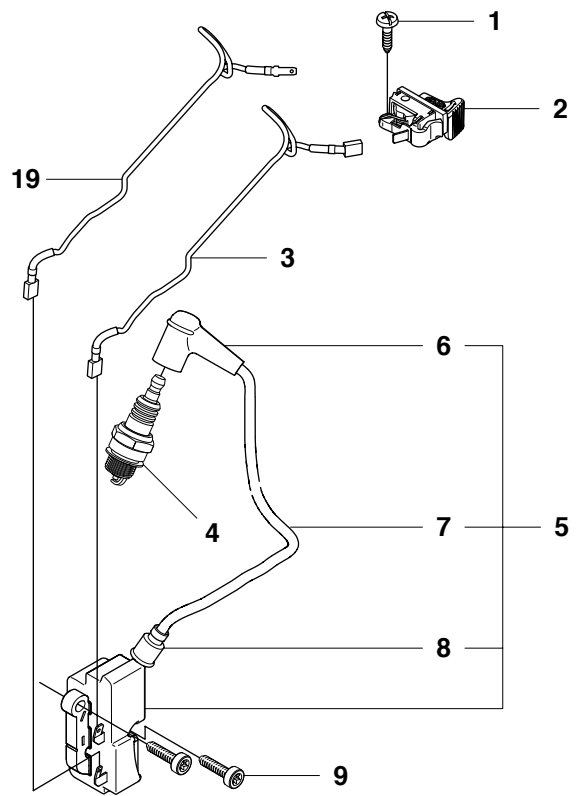
Pos.	Part No.	Description	Quantity	Notes	New Part
1	506 38 56-13	STARTER	1	Incl. 2 - 15	New Part
2	510 26 92-22	SCREW	1		New Part
3	740 43 13-00	O-RING	1		
4	506 25 14-01	GROMMET	1		
5	506 26 31-01	SPACING SLEEVE	1		
6	506 25 30-01	COMPRESSION SPRING	1		
7	506 25 81-02	STARTER PULLEY	1		
8	503 21 28-10	SCREW	2		
9	506 25 89-01	RECOIL SPRING	1		
10	506 33 56-15	STARTER CORD	1		
10	506 33 56-50	STARTER CORD	1	50 m	
11	503 12 79-01	STARTER HANDLE	1		
12	506 36 92-03	STARTER COVER	1		
13	503 21 53-21	SCREW	4		
14	544 89 08-02	LABEL	1		New Part
15	544 38 39-01	AIR CONDUCTOR	1		

J

K750



K750 Oil Guard



Page J
K750

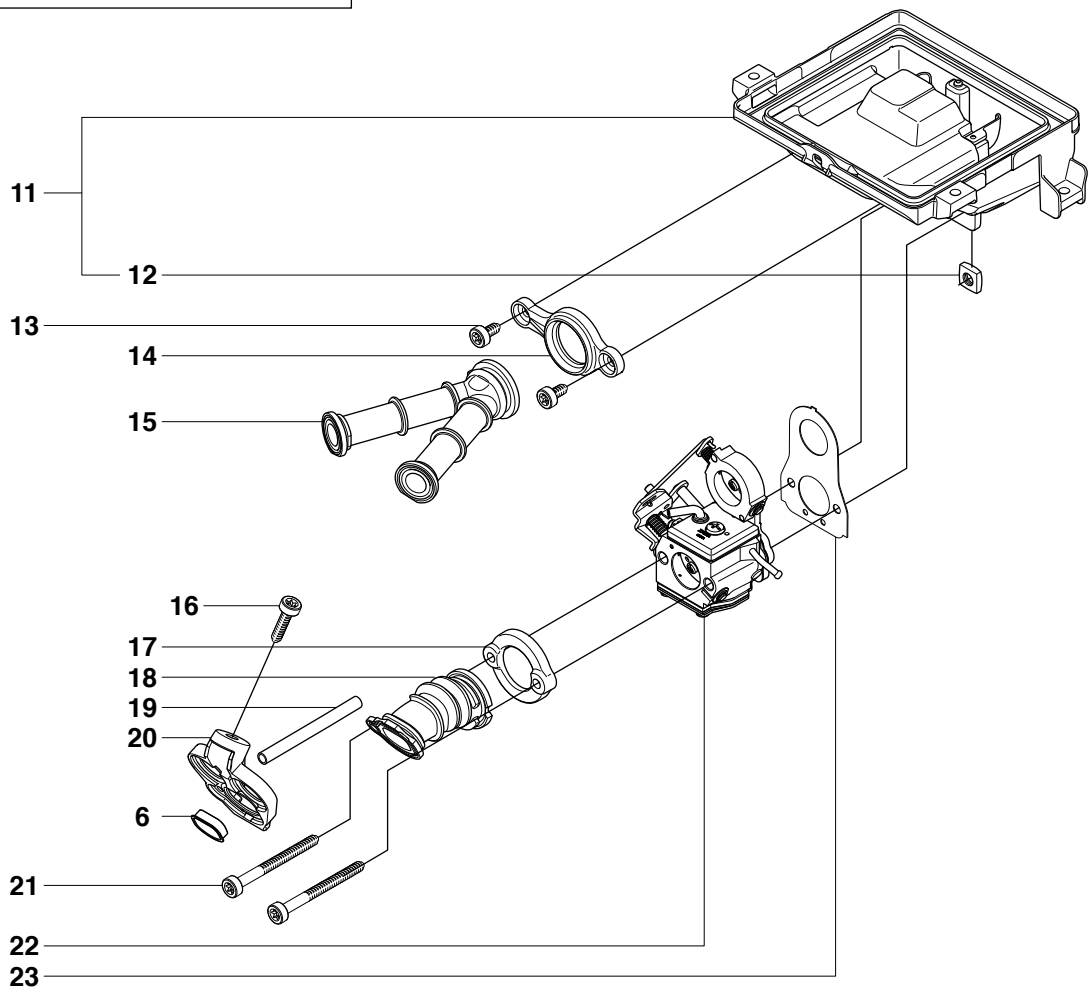
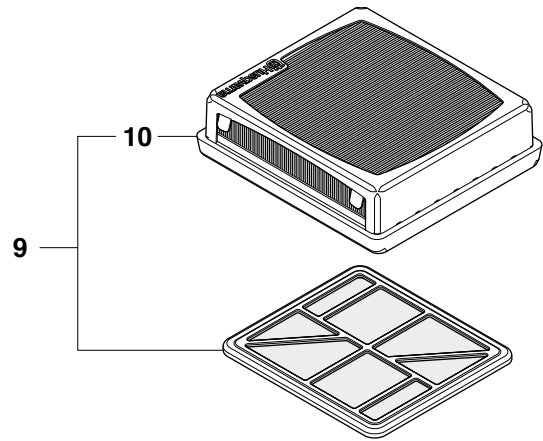
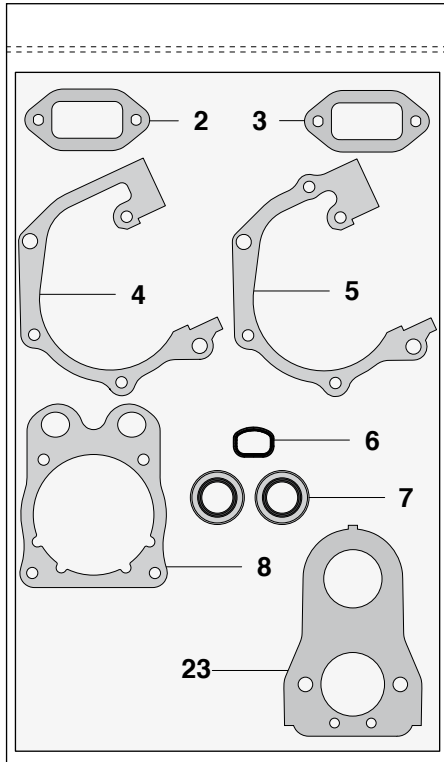
Pos.	Part No.	Description	Quantity	Notes	New Part
1	503 21 28-10	SCREW	2		
2	506 31 86-02	STOP SWITCH	1		
3	506 37 84-02	CABLE	1		
3	544 97 93-01	CABLE	1	Oil Guard	
4	503 23 51-09	SPARK PLUG	1	RCJ 6 Y	
5	510 11 56-02	IGNITION MODULE	1	Incl. 6 - 8	
6	501 48 54-02	SPARK PLUG CAP	1		
7	506 38 78-34	IGNITION CABLE	1		
8	505 27 75-16	ISOLERHATT	1		
9	503 21 53-20	SCREW	2		
10	506 37 85-01	CABLE	1		
11	503 23 01-01	WASHER STEEL	1		
12	503 22 10-11	NUT	1		
13	506 27 27-10	FLYWHEEL	1	Incl. 14 - 17	
14	503 23 00-42	WASHER STEEL	2		
15	501 63 48-01	SPRING	2		
16	501 67 32-03	PAWL	2		
17	506 00 69-01	SCREW	2		New Part
18	544 38 49-01	CABLE	1	Oil Guard	

Page K
K750

Pos.	Part No.	Description	Quantity	Notes	New Part
1	503 21 53-56	SCREW	2		
2	544 87 46-02	LABEL	1		
2	506 25 90-25	LABEL	1	Japan	
3	503 21 53-21	SCREW	8		
4	506 36 68-02	FILTER COVER	1		
5	506 23 64-15	LABEL	1	Japan	New Part
5	505 03 89-01	LABEL	1	EPA USA	
5	505 03 89-02	LABEL	1	EPA Canada	
6	506 36 71-01	PREFILTER	1		
7	506 36 69-02	FILTER BOTTOM	1		
8	506 39 84-02	CYLINDER COVER ASSY	1	Incl. 9	
8	506 39 84-05	CYLINDER COVER ASSY	1	Incl. 9, Purge	
9	544 89 09-01	LABEL	1		
9	544 89 09-02	LABEL	1	Purge	New Part
10	544 89 10-03	LABEL	1		
10	544 89 10-04	LABEL	1	Rescue	
10	544 89 10-05	LABEL	1	Oil Guard	New Part
11	506 38 62-01	COVER	1	Incl. 12, 13	
12	506 37 04-01	BELLOWS	1		
13	506 37 03-01	AIR NOZZLE	1		

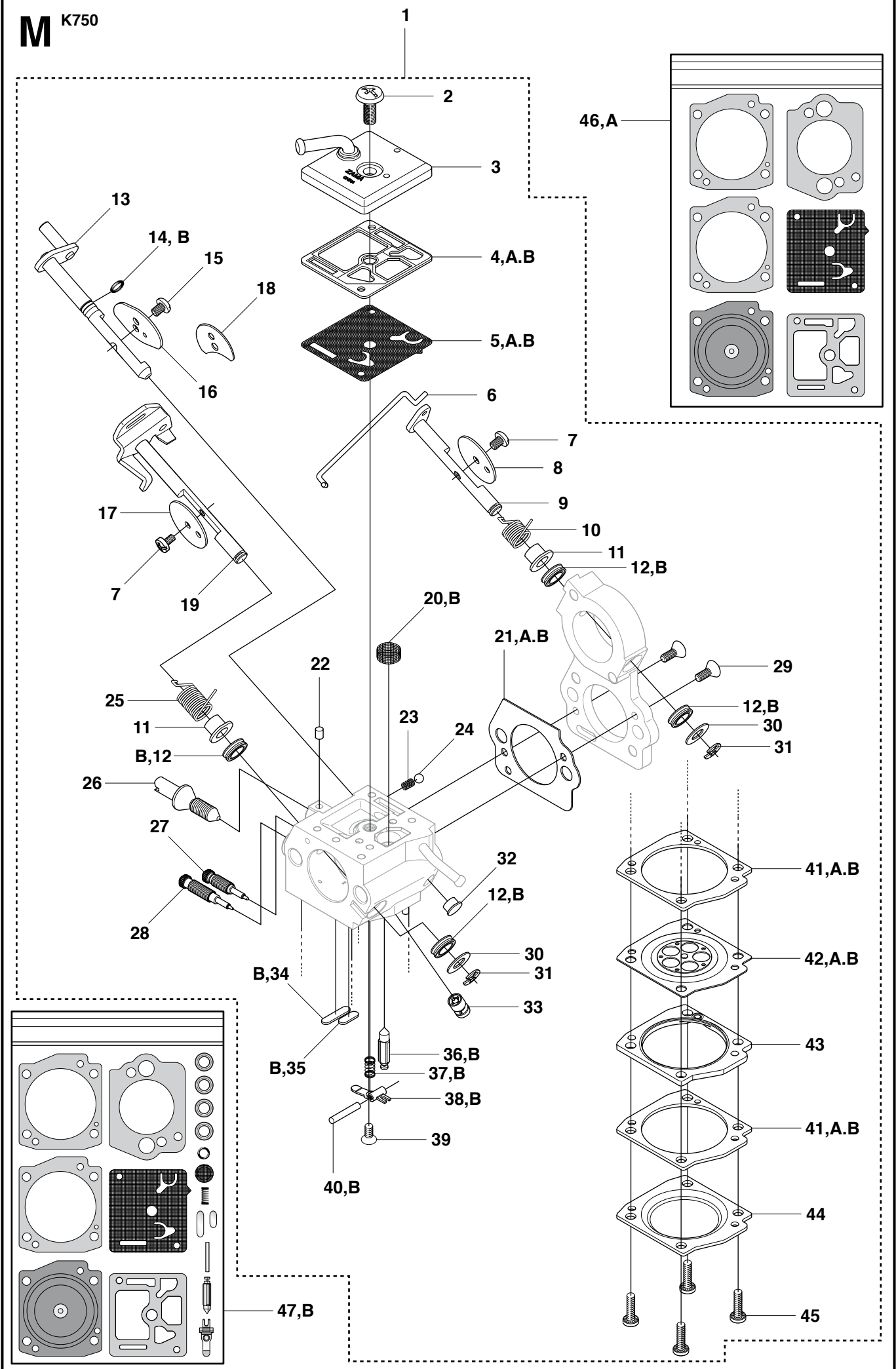


K750



Page L
K750

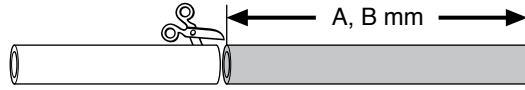
Pos.	Part No.	Description	Quantity	Notes	New Part
1	506 38 53-05	GASKET KIT	1	Incl. 2 - 8, 23	
2	506 41 23-01	GASKET	1		
3	506 37 69-02	GASKET MUFFLER	1		
4	506 37 70-02	GASKET CRANKCASE	1		
5	506 37 70-03	GASKET CRANKCASE	1		
6	544 21 93-02	INSERT	1		
7	503 26 02-04	SEALING RING	2		
8	506 37 67-01	CYLINDER BASE GASKET	1		
9	544 18 16-02	FILTER	1	Incl. 10	
10	506 36 72-03	AIR FILTER PAPER	1		
11	506 39 32-02	CARBURETTOR BRACKET	1	Incl. 12	
12	503 22 65-04	NUT	4		
13	503 21 53-10	SCREW	2		
14	506 37 06-01	FLANGE INLET PIPE	1		
15	506 36 98-01	INLET PIPE	1		
16	503 21 53-20	SCREW	1		
17	506 37 05-01	FLANGE INLET PIPE	1		
18	506 36 97-01	INLET PIPE	1		
19	503 40 06-09	IMPULSE HOSE	1		
20	544 35 26-01	PLATE	1		
21	503 21 53-56	SCREW	2		
22	503 28 32-09	CARBURETTOR	1	Zama C3-EL29	
22	510 18 12-01	CARBURETTOR	1	Japan only	
23	506 37 68-03	GASKET CARBURETTOR	1		



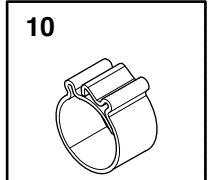
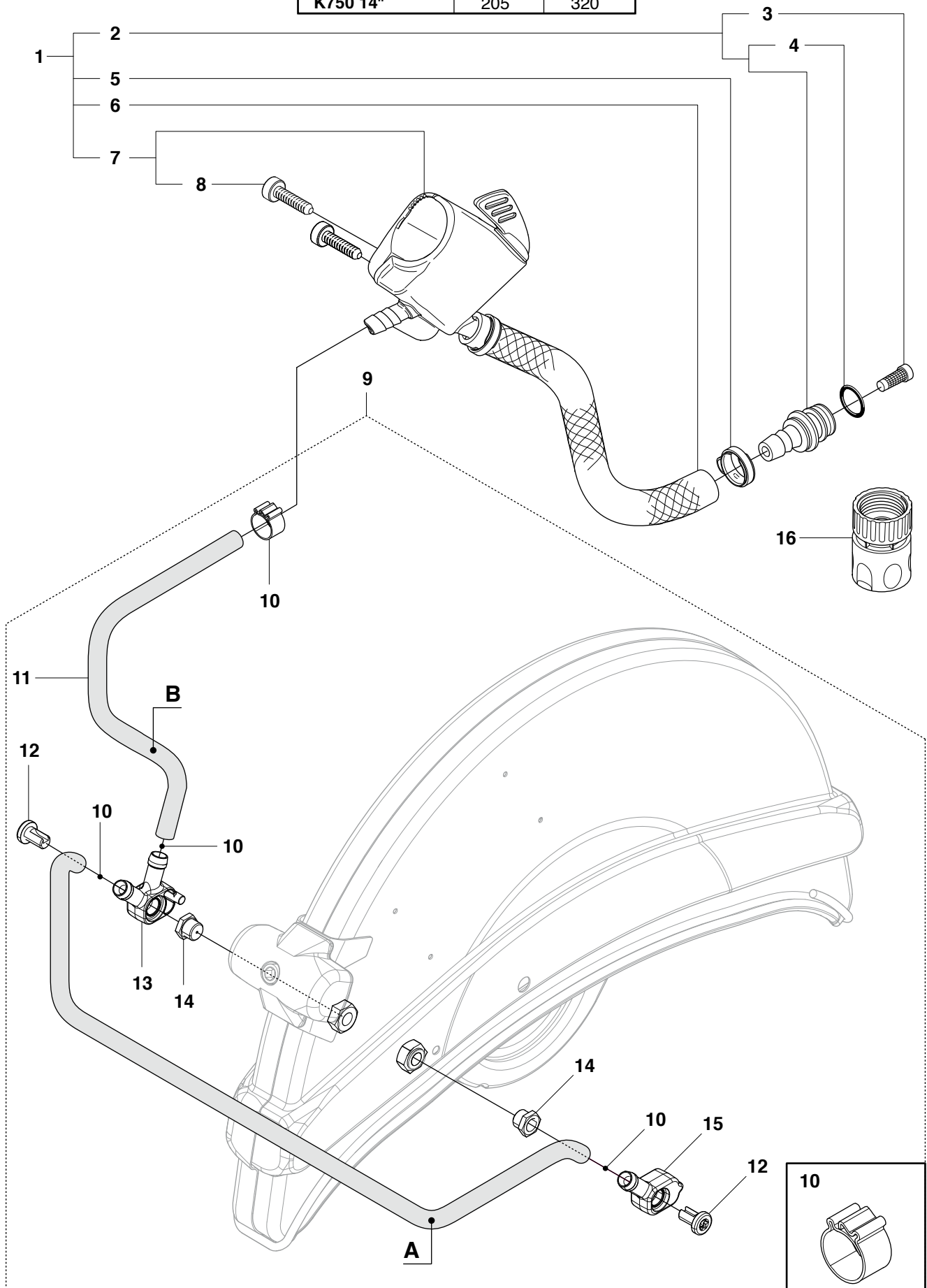
Page M
K750

Pos.	Part No.	Description	Quantity	Notes	New Part
1	503 28 32-09	CARBURETTOR	1	Zama C3-EL29, Incl. 2 - 43	
1	510 18 12-01	CARBURETTOR	1	Zama C3-EL43, Incl. 2 - 43 JPN	
2	503 47 96-01	SCREW	1		
3	544 83 64-01	PUMP COVER	1		
4	503 61 66-01	GASKET PUMP	1		
5	506 39 60-01	DIAPHRAGM PUMP	1		
6	506 39 65-01	ROD	1		
7	544 08 22-01	SCREW	2		
9	506 39 71-01	SHAFT ASSY	1		
10	506 39 75-01	SPRING	1		
11	506 39 54-01	COLLAR	2		
12	506 39 64-01	QUAD RING	4		
13	506 39 73-01	SHAFT ASSY CHOKE	1		
14	506 39 90-01	O-RING	1		
15	503 48 18-01	SCREW	1		
16	506 39 78-01	VALVE	1		
17	537 17 70-01	VALVE	1		
18	522 60 75-01	VALVE	1	Japan only	
19	506 39 74-01	SHAFT ASSY	1		
20	503 53 57-01	STRAINER	1		
21	506 39 58-01	GASKET	1		
22	503 48 11-01	PIECE	1		
23	537 01 26-01	SPRING	1		
24	537 01 25-01	BALL	1		
25	544 83 65-01	SPRING	1		
26	506 39 72-01	SCREW	1		
27	506 39 70-01	SCREW	1		
28	506 39 69-01	SCREW	1		
29	537 38 51-01	SCREW	2		
30	506 39 79-01	WASHER	2		
31	537 38 52-01	E-CLIP	2		
32	506 39 91-01	PLUG	1		
33	506 39 61-01	NOZZLE ASSY	1		
34	503 53 56-01	PLUG WELCH	1		
35	537 17 78-01	PLUG	1		
36	537 17 62-01	VALVE	1		
37	537 27 34-01	SPRING	1		
38	537 17 64-01	LEVER	1		
39	544 08 21-01	SCREW	1		
40	503 48 00-01	PIN RETAINING SCREW	1		
41	506 39 62-01	GASKET	2		
42	506 39 57-01	DIAPHRAGM ASSY	1		
43	506 39 55-01	COVER	1		
44	506 39 56-01	COVER	1		
45	506 39 66-01	SCREW	4		
46	506 40 99-01	GASKET KIT	1	Incl. 4, 5, 21, 41, 42	
47	506 41 00-01	GASKET KIT CARB	1	Incl. 4, 5, 12, 14, 20, 21, 34-38, 40-42	

N K750

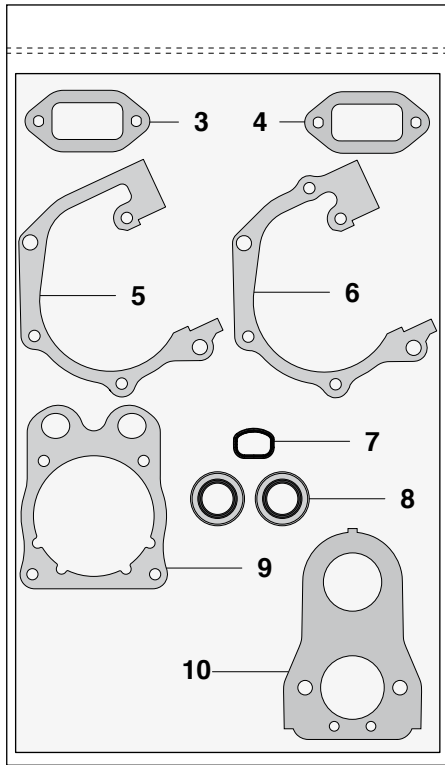


	A (mm)	B (mm)
K750 12"	165	320
K750 14"	205	320

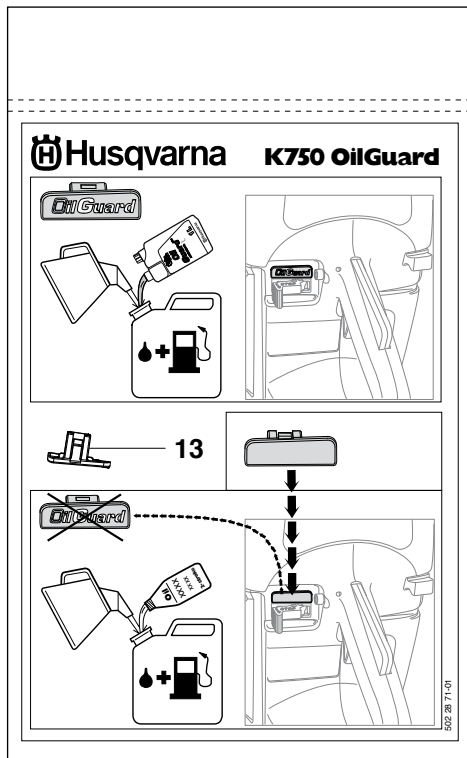
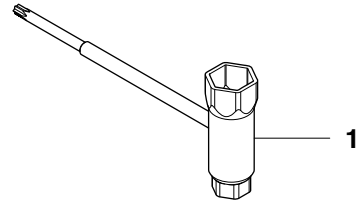


Page N
K750

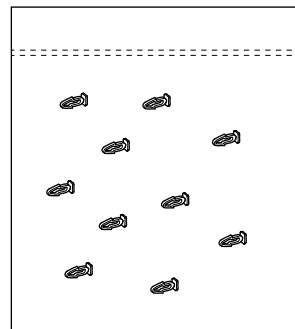
Pos.	Part No.	Description	Quantity	Notes	New Part
1	505 09 55-01	HOSE KIT	1	Incl. 2, 5 - 7	
2	506 29 57-02	NIPPLE	1	Incl. 3, 4	
3	506 29 88-01	FILTER	1		
4	505 10 35-01	O-RING	1		New Part
5	506 49 87-02	HOSE CLAMP	1		
6	506 60 75-01	HOSE	1		
7	506 38 60-12	VALVE ASSY	1	Incl. 8	New Part
8	503 21 54-20	SCREW	2		
9	505 09 54-01	HOSE KIT	1	Incl. 10 - 15	
10	506 49 87-01	HOSE CLAMP	4		
11	506 60 68-06	HOSE	1	620 mm	New Part
12	504 63 46-01	SCREW	2		
13	504 63 44-01	HOUSING	1		
14	504 63 42-01	NIPPLE	2		
15	504 63 45-01	HOUSING	1		
16	503 26 60-03	COUPLER	1	USA	
16	503 26 60-04	COUPLER	1		



2



12



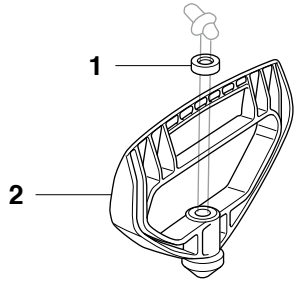
11

Page P
K750

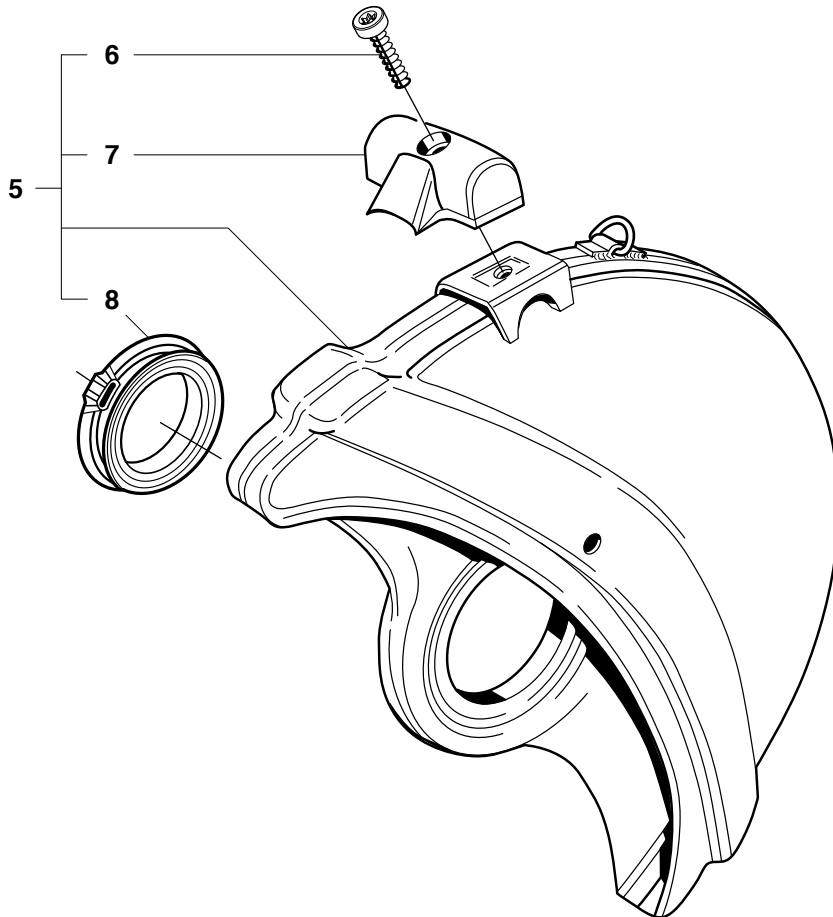
Pos.	Part No.	Description	Quantity	Notes	New Part
1	506 38 26-01	COMBINATION TOOL	1		
2	506 38 53-05	GASKET KIT	1	Incl. 3 - 10	
3	506 41 23-01	GASKET	1		
4	506 37 69-02	GASKET MUFFLER	1		
5	506 37 70-02	GASKET CRANKCASE	1		
6	506 37 70-03	GASKET CRANKCASE	1		
7	544 21 93-02	INSERT	1		
8	503 26 02-04	SEALING RING	2		
9	506 37 67-01	CYLINDER BASE GASKET	1		
10	506 37 68-03	GASKET CARBURETTOR	1		
11	502 23 33-01	KIT BREAK PIN	1	Incl. 10 Pins	
12	502 28 70-01	KIT SWITCH OFF	1		
13	501 01 95-01	SWITCH	1		

Q K750

K12 FD FIRE-RESCUE

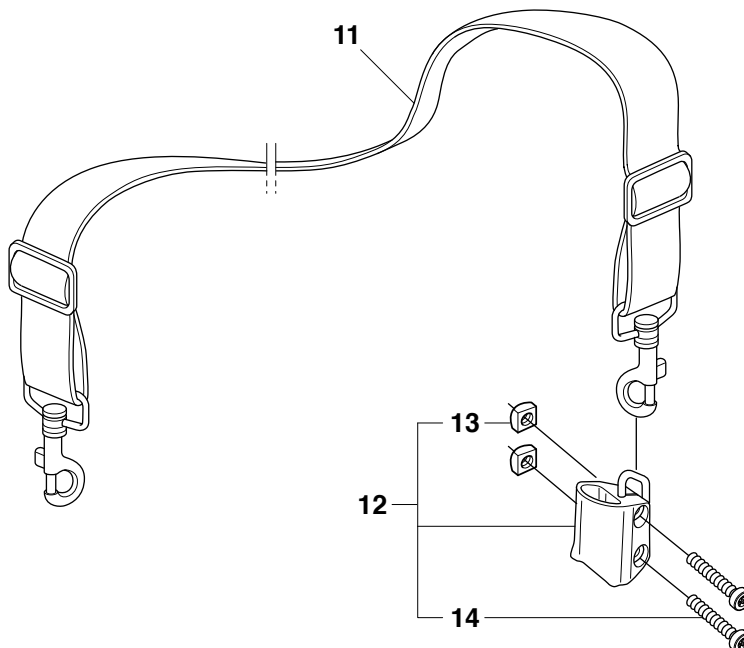


Rescue



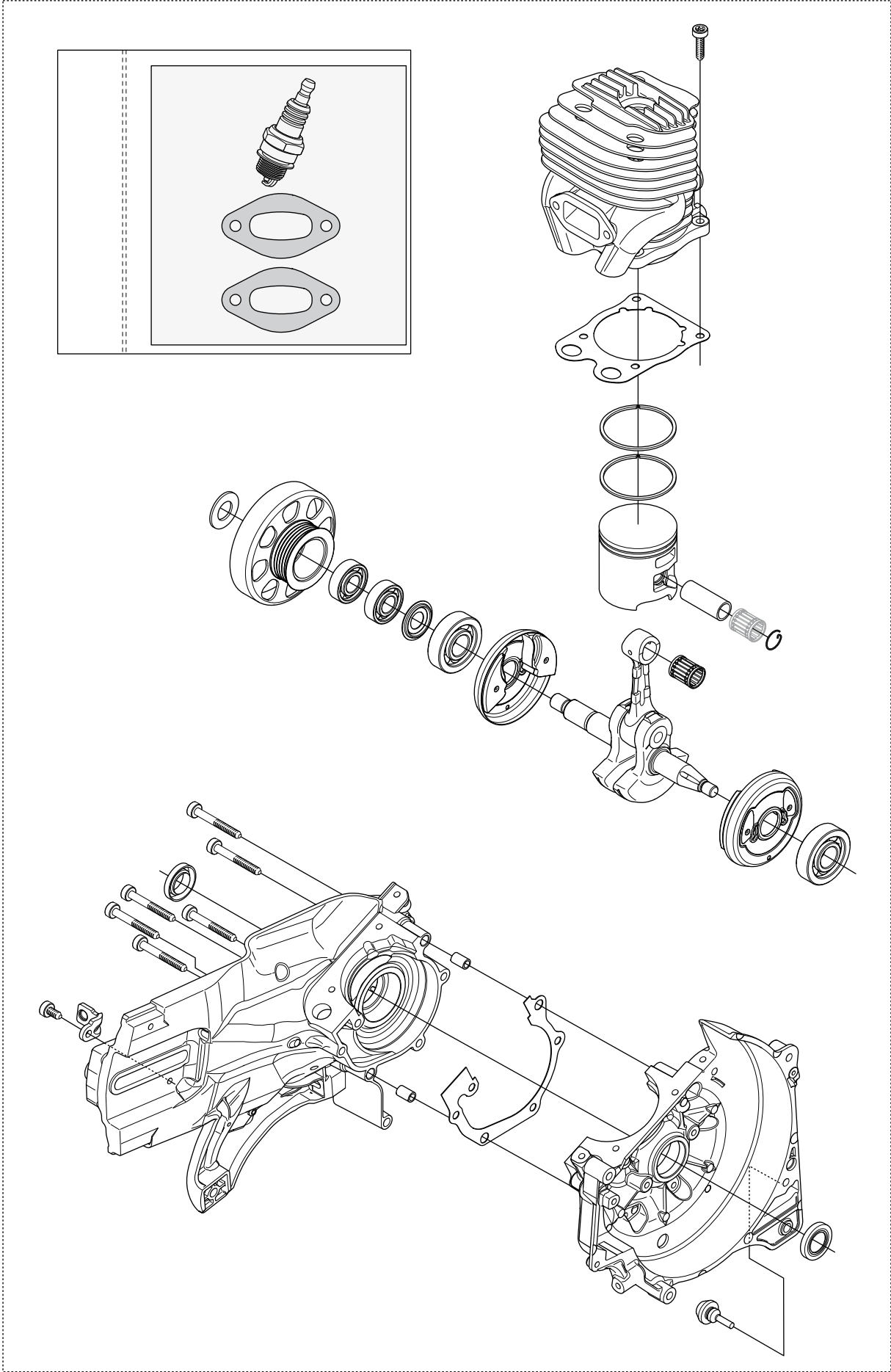
9 — **Husqvarna Rescue**
max 5100 rpm
Ø20mm, Ø300mm (Ø12")

10 — **⚠ ATTENTION ⚠**
This product has been modified for use by
trained fire rescue personnel only.



Page Q
K750

Pos.	Part No.	Description	Quantity	Notes	New Part
1	503 14 29-02	WASHER	1		
2	506 29 75-02	STARTER HANDLE	1		
3	506 32 20-02	LABEL	1		
4	506 30 23-02	LABEL	2		
5	506 34 05-52	WHEEL GUARD ASSY	1	Rescue 12". Incl. 6 - 8	
6	503 21 53-20	SCREW	1		New Part
7	506 34 46-02	HANDLE	1		
8	506 26 63-02	LINING	2		
9	544 89 06-02	LABEL	1		
10	506 32 22-02	LABEL	1		
11	506 29 76-01	SHOULDER STRAP	1		
12	506 30 25-04	BRACKET	1	Incl. 13, 14	
13	503 22 65-04	NUT	2		
14	503 21 53-16	SCREW	2		



Page R
K750

Pos.	Part No.	Description	Quantity	Notes	New Part
1	544 88 90-08	CRANKCASE ASSY	1		