

NOTE!
Not CE models

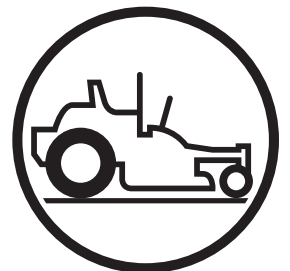
Parts Manual

EZ4624 BF / 968999688

EZ4220 BF / 968999693

EZ4824 BF / 968999697

Please read the operator's manual carefully and make sure you understand the instructions before using the machine.



English

MODEL NUMBER _____

SERIAL NUMBER _____

DATE PURCHASED _____

DEALER ADDRESS _____

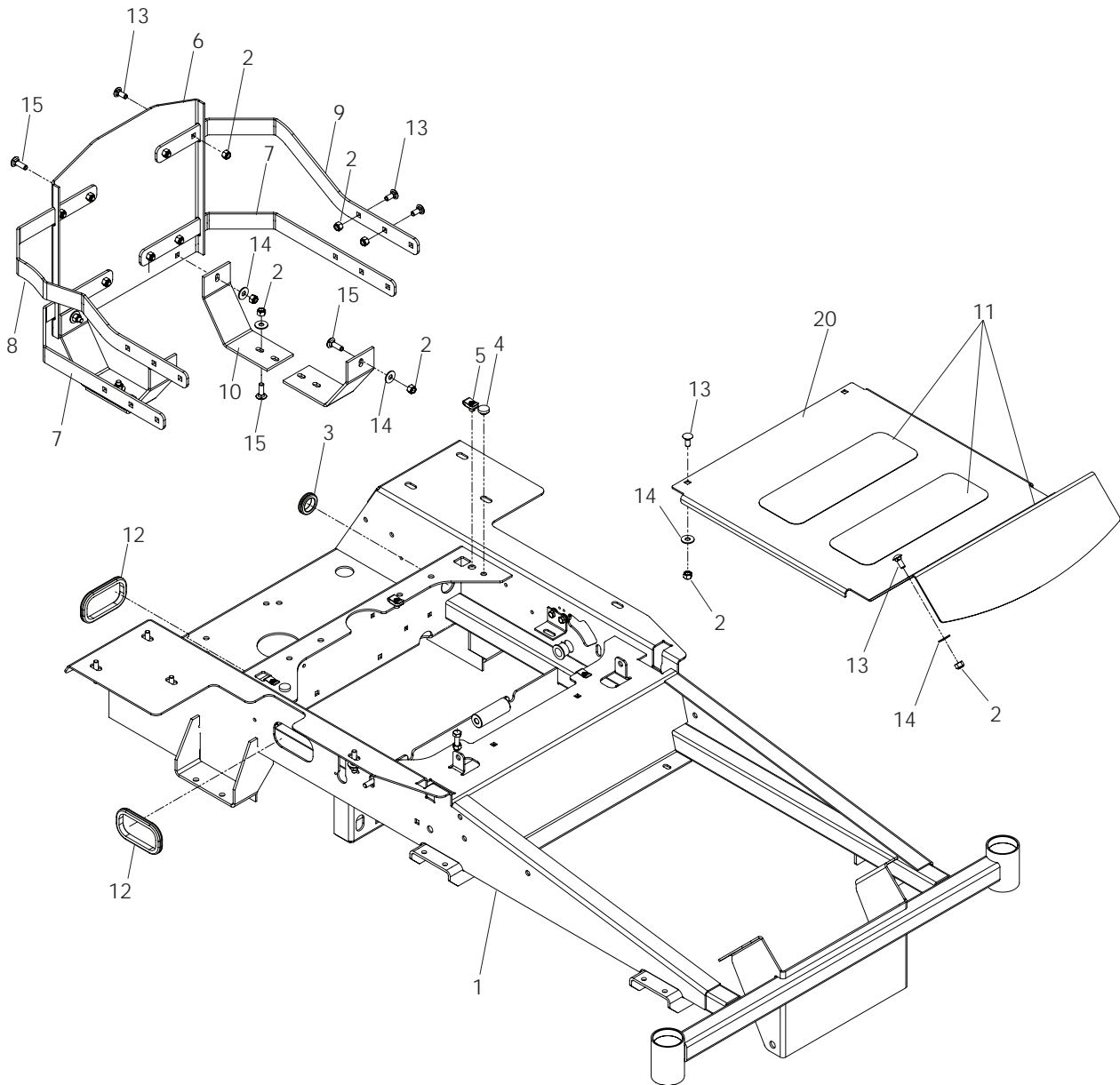
NOTES _____

CONTENTS

| | | | |
|-----------------------------|----|---------------------------|----|
| CHASSIS / FRAME | 4 | 42 INCH CUTTING DECK..... | 20 |
| ENGINE..... | 8 | 46 INCH CUTTING DECK..... | 22 |
| MODEL EZ4624..... | 8 | 48 INCH CUTTING DECK..... | 24 |
| MODELS EZ4220, EZ4824..... | 10 | CONTROLS..... | 26 |
| STEERING | 12 | SEAT | 28 |
| PARKING BRAKE | 14 | WHEELS AND TIRES | 30 |
| HYDRAULIC PUMP-MOTOR..... | 16 | DECALS | 32 |
| MOWER LIFT / DECK LIFT..... | 18 | | |

NOTE: ALL FASTENERS ARE GRADE 5 UNLESS OTHERWISE SPECIFIED.

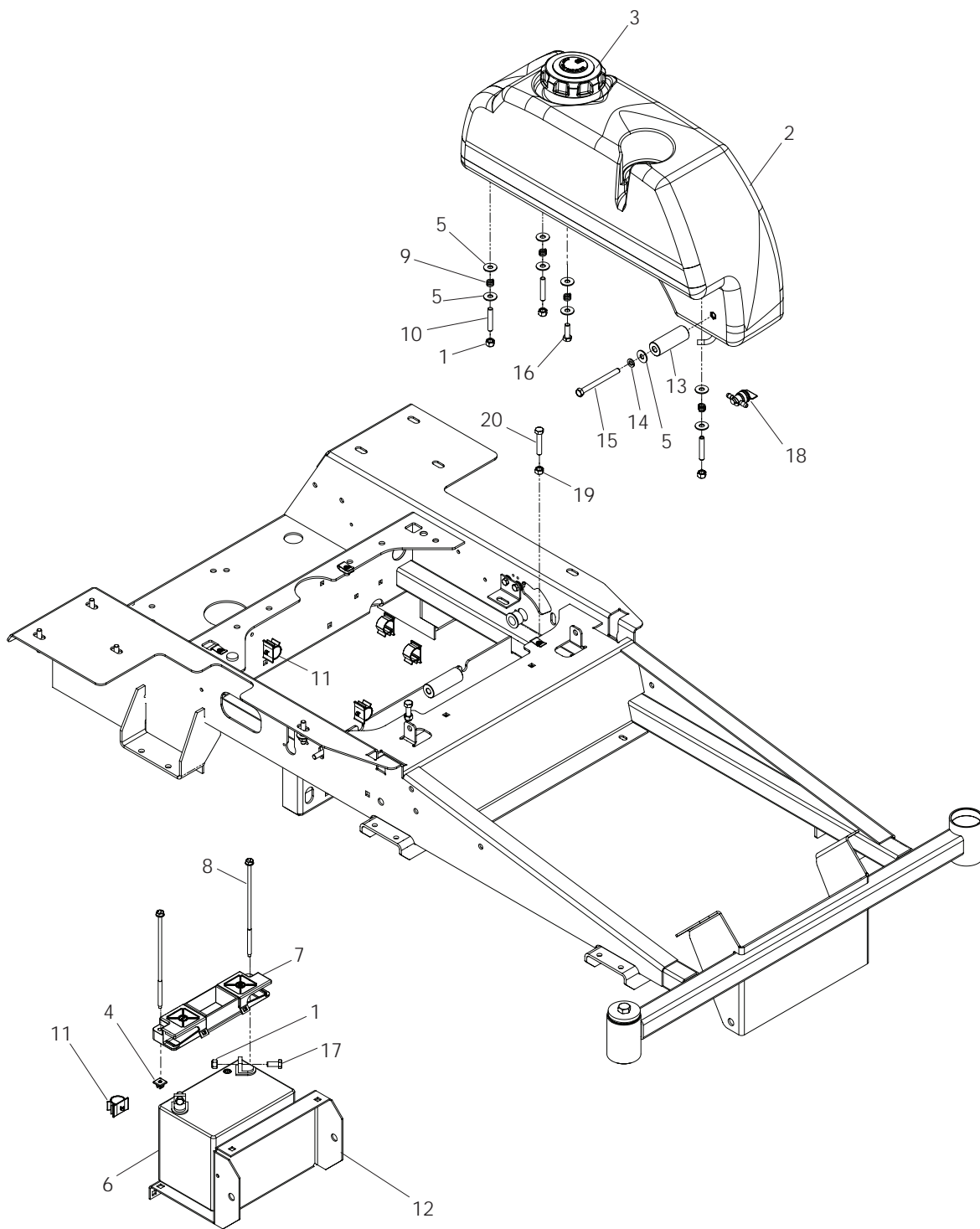
CHASSIS / FRAME



CHASSIS / FRAME

| ITEM | PART NO. | QTY. | DESCRIPTION | ITEM | PART NO. | QTY. | DESCRIPTION |
|------|------------|------------|---|------|------------|------------|--|
| 1.. | 539 112798 |1 ... | FRAME W/DECALS All Models Before Serial No. 0749xxxx | 7.. | 539 112780 |2 ... | LOWER GUARD |
| .. | 965 885601 |1 ... | FRAME W/DECALS Models EZ4625 and EZ4824 After Serial No. 0749xxxx | 8.. | 539 112781 |1 ... | UPPER RT HAND GUARD |
| 2.. | 539 990717 | ...16 ... | NUT ⁵ / ₁₆ -18 NYLOC | 9.. | 539 112782 |1 ... | UPPER LT HAND GUARD |
| 3.. | 539 105974 |1 ... | RUBBER GROMMET | 10.. | 539 112783 |4 ... | SKID PLATE |
| 4.. | 539 102587 |2 ... | GROMMET, BUMPER | 11.. | 539 977778 |3 ... | PAD, ABRASIVE |
| 5.. | 539 104763 |2 ... | NUT ⁵ / ₁₆ -18 RETAINER-U | 12.. | 539 107116 |1 ... | GROMMET |
| 6.. | 539 106959 |1 ... | ENGINE GUARD | 13.. | 539 990316 | ...20 ... | RHSNB ⁵ / ₁₆ -18 x ³ / ₄ |
| | | | | 14.. | 539 990692 | ...10 ... | WASHER ⁵ / ₁₆ |
| | | | | 15.. | 539 990208 |6 ... | RHSNB ⁵ / ₁₆ -18 x 1 |
| | | | | 16.. | 539 112228 |1 ... | PAN, FLOOR |

CHASSIS / FRAME

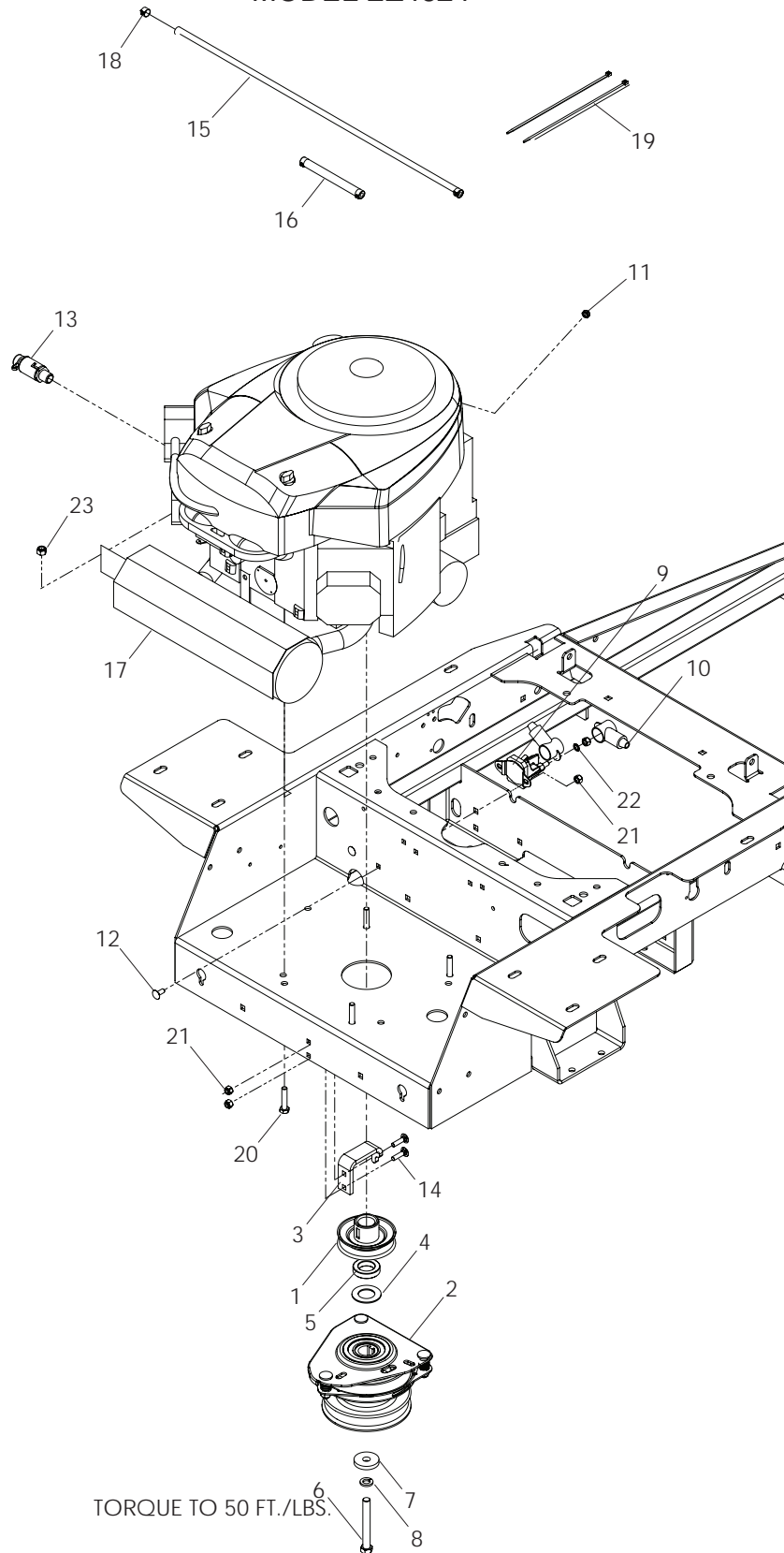


CHASSIS / FRAME

| ITEM | PART NO. | QTY. | DESCRIPTION | ITEM | PART NO. | QTY. | DESCRIPTION |
|------|------------|--------|--|------|------------|--------|--|
| 1.. | 539 990717 |5 | ... NUT $\frac{5}{16}$ -18 NYLOC | 13.. | 539 112446 |2 | ... TANK SPACER |
| 2.. | 539 104409 |1 | ... FUEL TANK, LEFT | 14.. | 539 990187 |2 | ... LOCKWASHER $\frac{5}{16}$ |
| 3.. | 539 106188 |1 | ... FUEL CAP | 15.. | 539 107270 |2 | ... HCS $\frac{5}{16}$ -18 x $3\frac{1}{2}$ |
| 4.. | 539 107629 |2 | ... PUSH NUT NYLON | 16.. | 539 990209 |2 | ... HCS $\frac{5}{16}$ -18 x 1 |
| 5.. | 539 990692 |9 | ... WASHER $\frac{5}{16}$ | 17.. | 539 976934 |2 | ... HCS $\frac{5}{16}$ -18 x $\frac{3}{4}$ |
| 6.. | 539 102436 |1 | ... BATTERY | 18.. | 539 916325 |1 | ... FUEL VALVE |
| 7.. | 539 107628 |1 | ... BATTERY HOLD DOWN | 19.. | 539 990196 |2 | ... NUT $\frac{5}{16}$ -18 |
| 8.. | 539 107632 |2 | ... BOLT, $\frac{1}{4}$ x $7\frac{1}{2}$ | 20.. | 539 108394 |2 | ... HCS $\frac{5}{16}$ -18 x $1\frac{3}{4}$ TPBL |
| 9.. | 539 102845 |8 | ... SPRING, TANK MOUNT | | | | NOT SHOWN |
| 10.. | 539 102502 |6 | ... TANK STUD, FUEL $\frac{5}{16}$ C | .. | 539 113793 |1 | ... WIRE HARNESS |
| 11.. | 539 110815 |5 | ... PUSH MOUNT, WIRE CLIP | .. | 539 110068 |1 | ... BATTERY CABLE, NEG |
| 12.. | 539 112408 |1 | ... BATTERY TRAY | | | | |

ENGINE

BRIGGS & STRATTON MODEL EZ4624

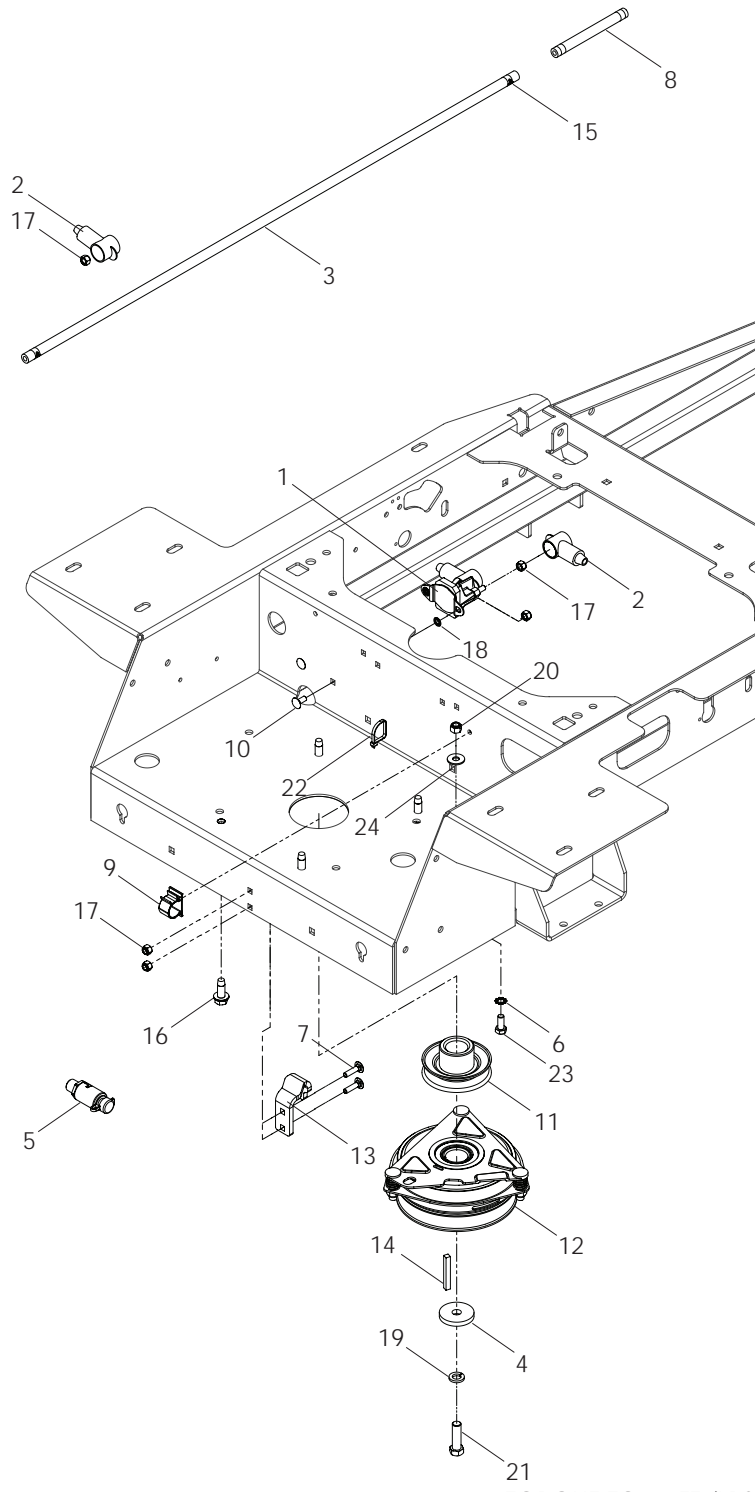


ENGINE

| ITEM | PART NO. | QTY. | DESCRIPTION | ITEM | PART NO. | QTY. | DESCRIPTION |
|------|------------|-------|----------------------------|-----------|------------|-------|---------------------------|
| 1.. | 539 114530 |1 | .. PULLEY, ENGINE | 14.. | 539 109800 |2 | .. RHSNB ¼-20 x 1 |
| 2.. | 539 113977 |1 | .. CLUTCH, 90 FT/LBS | 15.. | 539 110424 |1 | .. FUEL LINE 24" |
| 3.. | 539 112249 |1 | .. CLUTCH TIE DOWN | 16.. | 539 110425 |1 | .. FUEL LINE 5" |
| 4.. | 539 113987 |1 | .. SPACER | 17.. | 539 121325 |1 | .. MUFFLER |
| 5.. | 539 114387 |1 | .. SPACER | 18.. | 539 912222 |4 | .. HOSE CLAMP |
| 6.. | 539 976944 |1 | .. HCS 7/16-20 x 3½ | 19.. | 539 976856 |2 | .. WIRE TIE |
| 7.. | 539 110064 |1 | .. CLUTCH WASHER | 20.. | 539 976935 |4 | .. HCS 5/16-18 x 1½ |
| 8.. | 539 990247 |1 | .. WASHER 7/16 SLW | 21.. | 539 976978 |6 | .. NUT ¼-20 HEX NYLOC |
| 9.. | 539 101714 |1 | .. SOLENOID | 22.. | 539 990053 |2 | .. WASHER ¼ INT TOOTH LK |
| 10.. | 539 102759 |3 | .. INSULATOR | 23.. | 539 990717 |4 | .. NUT 5/16-18 HEX NYLOC |
| 11.. | 539 108120 |1 | .. NUT ¼-20 HEX THIN NYLOC | NOT SHOWN | | | |
| 12.. | 539 111786 |2 | .. RHSSNB ¼-20 x 5/8 | .. | 539 103306 |1 | ... CABLE, POSITIVE |
| 13.. | 539 110093 |1 | .. PLUG, OIL DRAIN | .. | 539 107516 |1 | .. PIGTAIL, ENGINE CV490S |

ENGINE

KOHLER
MODELS EZ4220, EZ4824

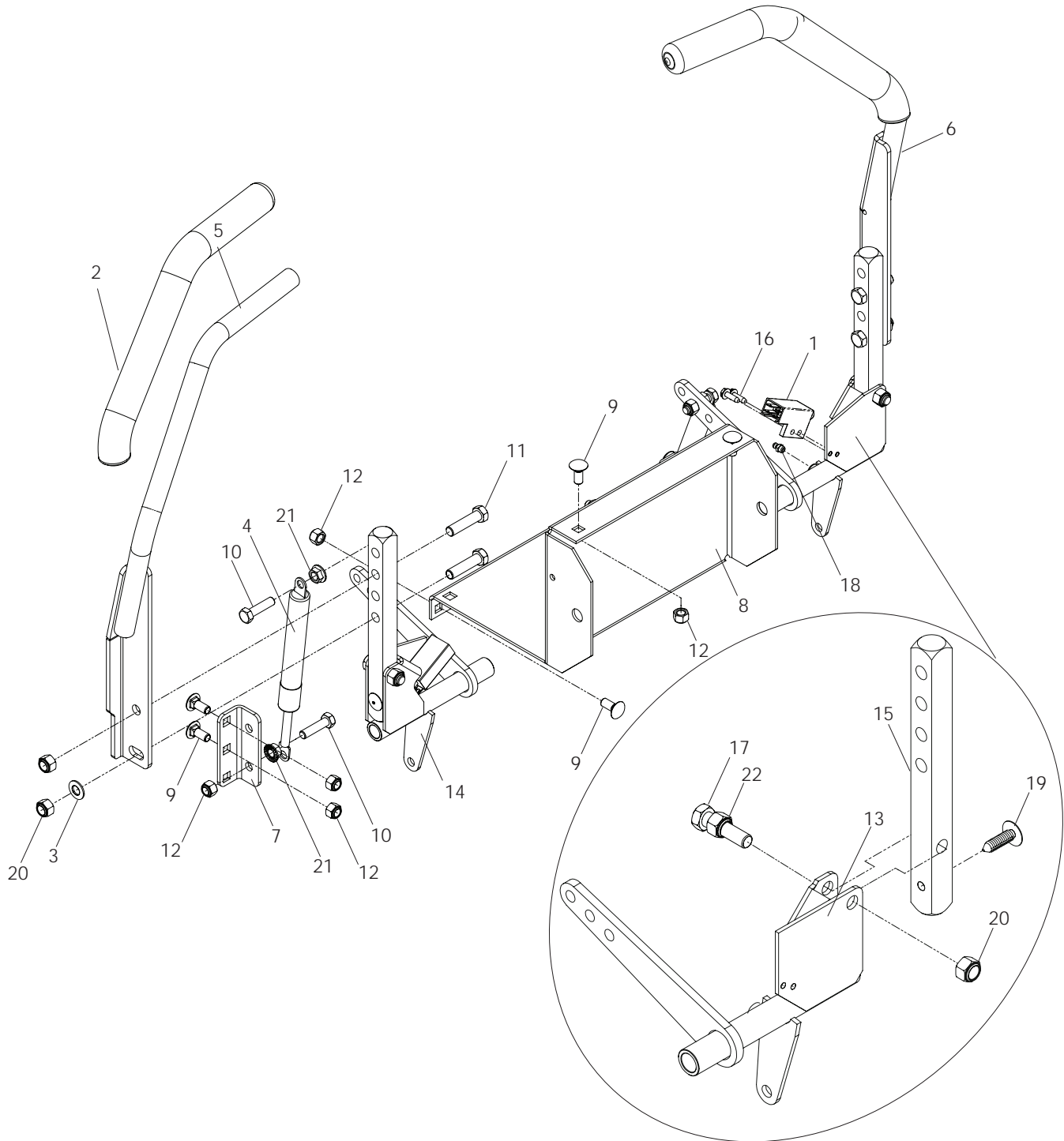


TORQUE TO 50 FT./LBS

ENGINE

| ITEM | PART NO. | QTY. | DESCRIPTION | ITEM | PART NO. | QTY. | DESCRIPTION |
|------|------------|--------|---|-----------|------------|--------|---|
| 1.. | 539 101714 |1 | ... SOLENOID | 15.. | 539 912222 |4 | ... CLAMP, HOSE |
| 2.. | 539 102759 |3 | ... INSULATOR, BATTERY | 16.. | 539 107476 |4 | ... BOLT, $\frac{3}{8}$ -16 x 1 THD FORM |
| 3.. | 539 105280 |1 | ... FUEL LINE, 35" | 17.. | 539 976978 |6 | ... NUT $\frac{1}{4}$ -20 NYLOC |
| 4.. | 539 106504 |1 | ... WASHER .469 | 18.. | 539 990053 |2 | ... WASHER $\frac{1}{4}$ |
| 5.. | 539 110093 |1 | ... PLUG OIL DRAIN | 19.. | 539 990247 |1 | ... WASHER $\frac{7}{16}$ |
| 6.. | 539 109556 |1 | ... WASHER $\frac{5}{16}$ EXT STAR | 20.. | 539 990717 |1 | ... NUT $\frac{5}{16}$ -18 NYLOC |
| 7.. | 539 109800 |2 | ... RHSNB $\frac{1}{4}$ -20 x 1 | 21.. | 539 100141 |1 | ... HCS $\frac{7}{16}$ -20 x $1\frac{1}{2}$ |
| 8.. | 539 110425 |1 | ... FUEL LINE, 5" | 22.. | 539 976856 |1 | ... WIRE TIE |
| 9.. | 539 110815 |1 | ... PUSH-MOUNT WIRE CLIP | 23.. | 539 976934 |1 | ... HCS $\frac{5}{16}$ -18 x $\frac{3}{4}$ |
| 10.. | 539 111786 |2 | ... RHSSNB, $\frac{1}{4}$ -20 x $\frac{5}{8}$ | 24.. | 539 990692 |1 | ... WASHER $\frac{5}{16}$ |
| 11.. | 539 113436 |1 | ... PULLEY, DRIVE | NOT SHOWN | | | |
| 12.. | 539 113437 |1 | ... CLUTCH | .. | 539 103306 |2 | ... CABLE, POSITIVE, LONG |
| 13.. | 539 113441 |1 | ... CLUTCH TIE DOWN | .. | 539 107516 |1 | ... PIGTAIL, ENGINE |
| 14.. | 539 910210 |1 | ... KEY $\frac{1}{4}$ SQ x 2 | .. | 539 105896 |1 | ... MUFFLER |

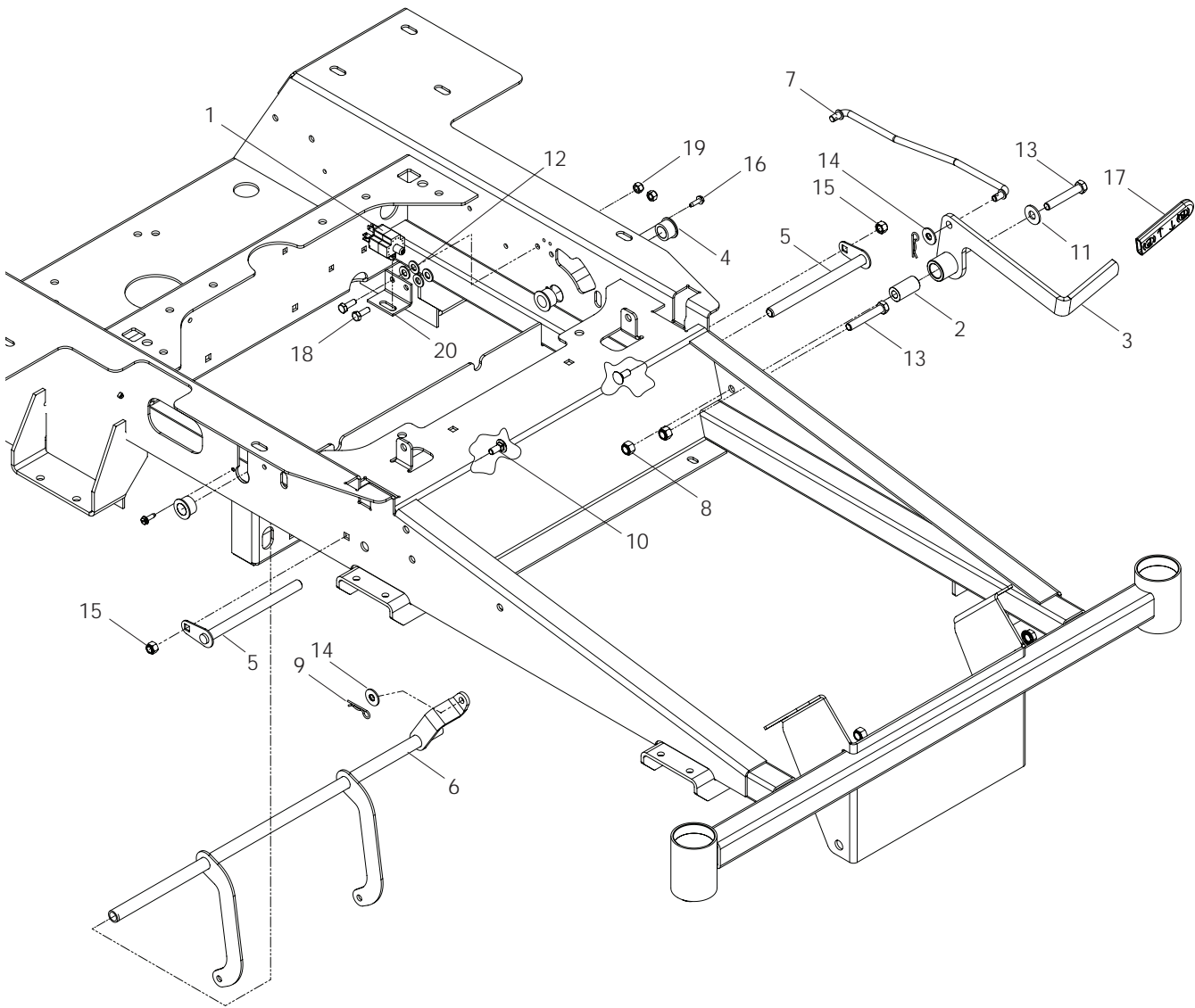
STEERING



STEERING

| ITEM | PART NO. | QTY. | DESCRIPTION | ITEM | PART NO. | QTY. | DESCRIPTION |
|------|------------|--------|--|------|------------|--------|---|
| 1.. | 539 101080 |2 | ... SWITCH, INTERLOCK | 12.. | 539 990717 | ...12 | ... NUT ⁵ / ₁₆ -18 NYLOC |
| 2.. | 539 102592 |2 | ... CUSHION, DRIVE LEVER | 13.. | 539 112096 |1 | ... CONTROL, LEFT |
| 3.. | 539 102593 |2 | ... LOCKWASHER ³ / ₈ | 14.. | 539 112095 |1 | ... CONTROL, RIGHT |
| 4.. | 539 102720 |2 | ... DAMPENER | 15.. | 539 112088 |1 | ... CONTROL ARM |
| 5.. | 539 110826 |1 | ... DRIVE LEVER, RIGHT | 16.. | 539 991034 |4 | ... SCREW 10-24 x ⁵ / ₈ WASH HD |
| 6.. | 539 110827 |1 | ... DRIVE LEVER, LEFT | 17.. | 539 110122 |1 | ... HCS ³ / ₈ -16 x 2 ¹ / ₂ TPBLT |
| 7.. | 539 112300 |2 | ... DAMPENER BRACKET | 18.. | 539 976998 |1 | ... ZERK |
| 8.. | 539 112408 |1 | ... BATTERY TRAY | 19.. | 539 113107 |1 | ... RIVET, NYLON PUSH-IN |
| 9.. | 539 990316 |8 | ... RHSNB ⁵ / ₁₆ -18 x ³ / ₄ | 20.. | 539 976979 |1 | ... NUT ³ / ₈ -16 NYLOC |
| 10.. | 539 990627 |4 | ... HCS ⁵ / ₁₆ -18 x 1 ¹ / ₄ | 21.. | 539 990585 |4 | ... NUT ⁵ / ₁₆ -18 WHIZLK |
| 11.. | 539 990655 |6 | ... HCS ³ / ₈ -16 x 1 ¹ / ₂ | 22.. | 539 990546 |1 | ... NUT ³ / ₈ -16 CENTERLOCK |

PARKING BRAKE

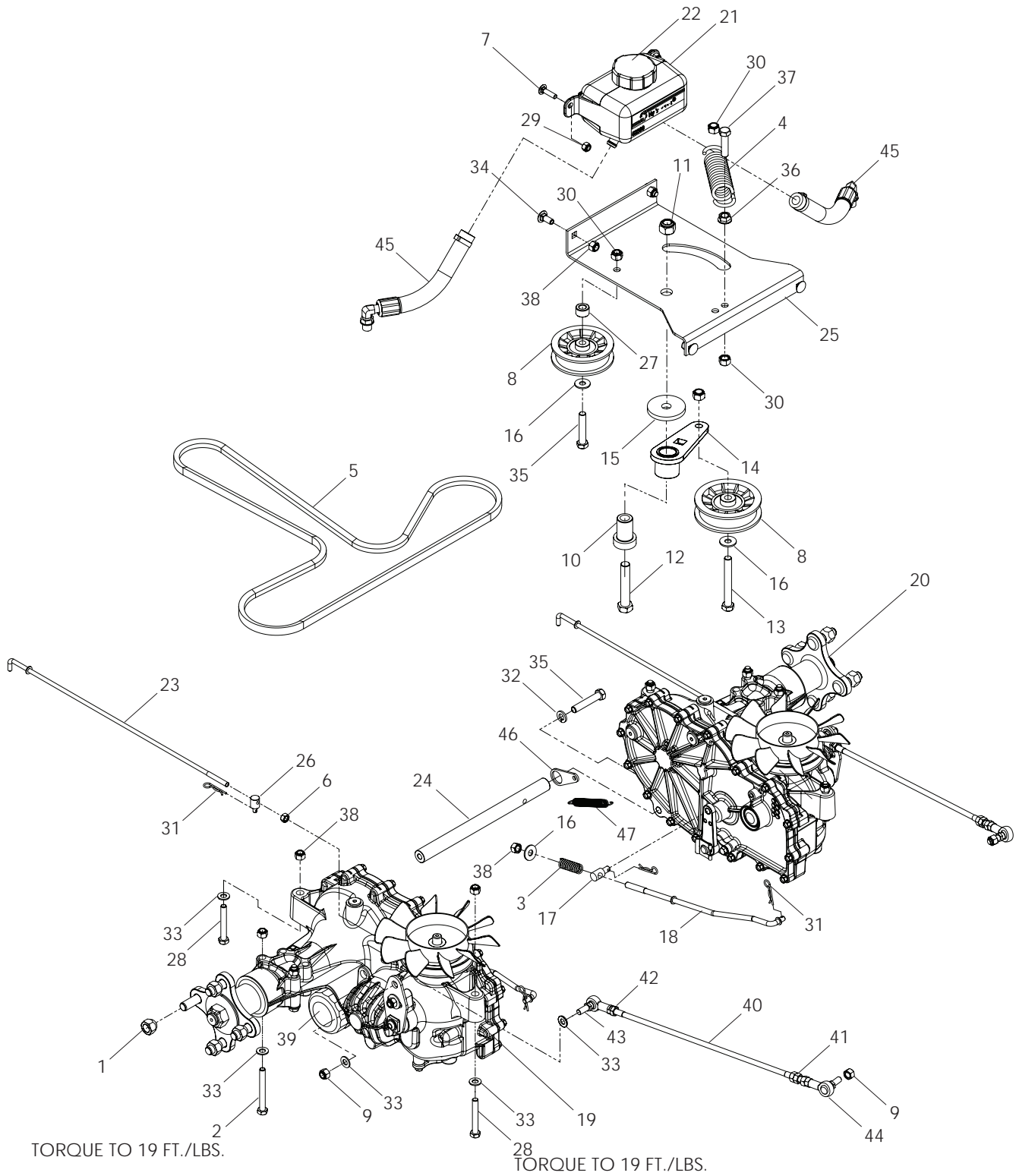


PARKING BRAKE

| ITEM | PART NO. | QTY. | DESCRIPTION |
|------|------------|--------|--|
| 1.. | 539 113792 |1 | ... SWITCH, BRAKE |
| 2.. | 539 101836 |1 | ... BUSHING |
| 3.. | 539 109363 |1 | ... BRAKE LEVER |
| 4.. | 539 109368 |3 | ... BUSHING, PLASTIC |
| 5.. | 539 112306 |2 | ... SHAFT, PIVOT |
| 6.. | 539 112313 |1 | ... BRAKE SHAFT |
| 7.. | 539 112314 |1 | ... LINKAGE |
| 8.. | 539 976979 |4 | ... NUT $\frac{3}{8}$ -16 NYLOC |
| 9.. | 539 976988 |2 | ... PIN, HAIR .073 x $\frac{17}{16}$ |
| 10.. | 539 990316 |2 | ... RHSNB $\frac{5}{16}$ -18 x $\frac{3}{4}$ |
| 11.. | 539 990517 |1 | ... WASHER $\frac{3}{8}$ |

| ITEM | PART NO. | QTY. | DESCRIPTION |
|------|------------|--------|--|
| 12.. | 539 990188 |4 | ... WASHER $\frac{5}{16}$ SAE FLAT |
| 13.. | 539 990629 |3 | ... HCS $\frac{3}{8}$ -16 x $2\frac{1}{4}$ |
| 14.. | 539 990692 |3 | ... WASHER $\frac{5}{16}$ |
| 15.. | 539 990717 |2 | ... NUT $\frac{5}{16}$ -18 NYLOC |
| 16.. | 539 991034 |2 | ... SCREW #10-24 x $\frac{5}{8}$ WASH HD |
| 17.. | 539 109798 |1 | ... GRIP, PARK BRAKE |
| 18.. | 539 990580 |2 | ... HCS $\frac{1}{4}$ -20 x $\frac{3}{4}$ |
| 19.. | 539 976978 |2 | ... NUT $\frac{1}{4}$ -20 NYLOC |
| 20.. | 539 114803 |1 | ... BRACKET, BRAKE SWITCH |

HYDRAULIC PUMP-MOTOR



HYDRAULIC PUMP-MOTOR

| ITEM | PART NO. | QTY. | DESCRIPTION | ITEM | PART NO. | QTY. | DESCRIPTION |
|------|------------|--------|------------------------|------|------------|---------|--------------------------|
| 1.. | 539 101173 |8 | NUT 1/2-20 LUG | 25.. | 539 112407 |1 | PULLEY, IDLER PLATE |
| 2.. | 539 101721 |4 | HCS 5/16-18 x 2 3/4 | 26.. | 539 112949 |2 | SWIVEL, 1/4-28 |
| 3.. | 539 101224 |2 | SPRING | 27.. | 539 923515 |1 | SPACER |
| 4.. | 539 103256 |1 | SPRING, EXTENSION | 28.. | 539 976938 |4 | HCS 5/16-18 x 2 1/4 |
| 5.. | 539 104334 |1 | BELT, PUMP | 29.. | 539 976978 |2 | NUT 1/4-20 NYLOC |
| 6.. | 539 108739 |2 | NUT 1/4-28 | 30.. | 539 976979 |4 | NUT 3/8-16 NYLOC |
| 7.. | 539 109800 |2 | RHSNB 1/4-20 x 1 | 31.. | 539 976988 |6 | PIN, HAIR, .073 x 1 7/16 |
| 8.. | 539 110311 |2 | PULLEY, IDLER | 32.. | 539 990118 |2 | WASHER 3/8 |
| 9.. | 539 110943 |4 | NUT 5/16 NYLOC | 33.. | 539 990188 |12 | WASHER 5/16 SAE |
| 10.. | 539 101231 |1 | SPINDLE, IDLER | 34.. | 539 990316 |4 | RHSNB 5/16-18 x 3/4 |
| 11.. | 539 101331 |1 | NUT 1/2-13 NYLOC | 35.. | 539 990588 |3 | HCS 3/8-16 x 2 |
| 12.. | 539 101332 |1 | HCS 1/2-13 1/4 x 2 3/4 | 36.. | 539 990613 |1 | NUT 3/8-16 WHIZLK |
| 13.. | 539 101350 |1 | HCS 3/8-16 x 3 TAP | 37.. | 539 990655 |1 | HCS 3/8-16 x 1 1/2 |
| 14.. | 539 112092 |1 | ARM, IDLER | 38.. | 539 990717 |14 | NUT 5/16-18 NYLOC |
| 15.. | 539 112670 |1 | HEAVY WASHER | 39.. | 539 113466 |2 | OIL FILTER |
| 16.. | 539 990692 |4 | WASHER 5/16 | 40.. | 539 112099 |2 | DRIVE LINKAGE |
| 17.. | 539 112308 |2 | BRAKE SWIVEL | 41.. | 539 990223 |6 | NUT 5/16-24 |
| 18.. | 539 112309 |2 | BRAKE LINKAGE | 42.. | 539 991073 |2 | NUT 5/16-24, LH |
| 19.. | 539 112316 |1 | ZT2800, RIGHT | 43.. | 539 110604 |2 | ROD END, LEFT |
| 20.. | 539 112317 |1 | ZT2800, LEFT | 44.. | 539 110603 |2 | ROD END, RIGHT |
| 21.. | 539 112318 |1 | EXPANSION TANK W/CAP | 45.. | 539 112669 |1 | HOSE KIT |
| 22.. | 539 112449 |1 | CAP | 46.. | 539 130516 |2 | TAB, SPRING |
| 23.. | 539 112319 |2 | BYPASS LINKAGE | 47.. | 539 977250 |2 | SPRING |
| 24.. | 539 112342 |1 | 2800 CROSS SUPPORT | | | | |

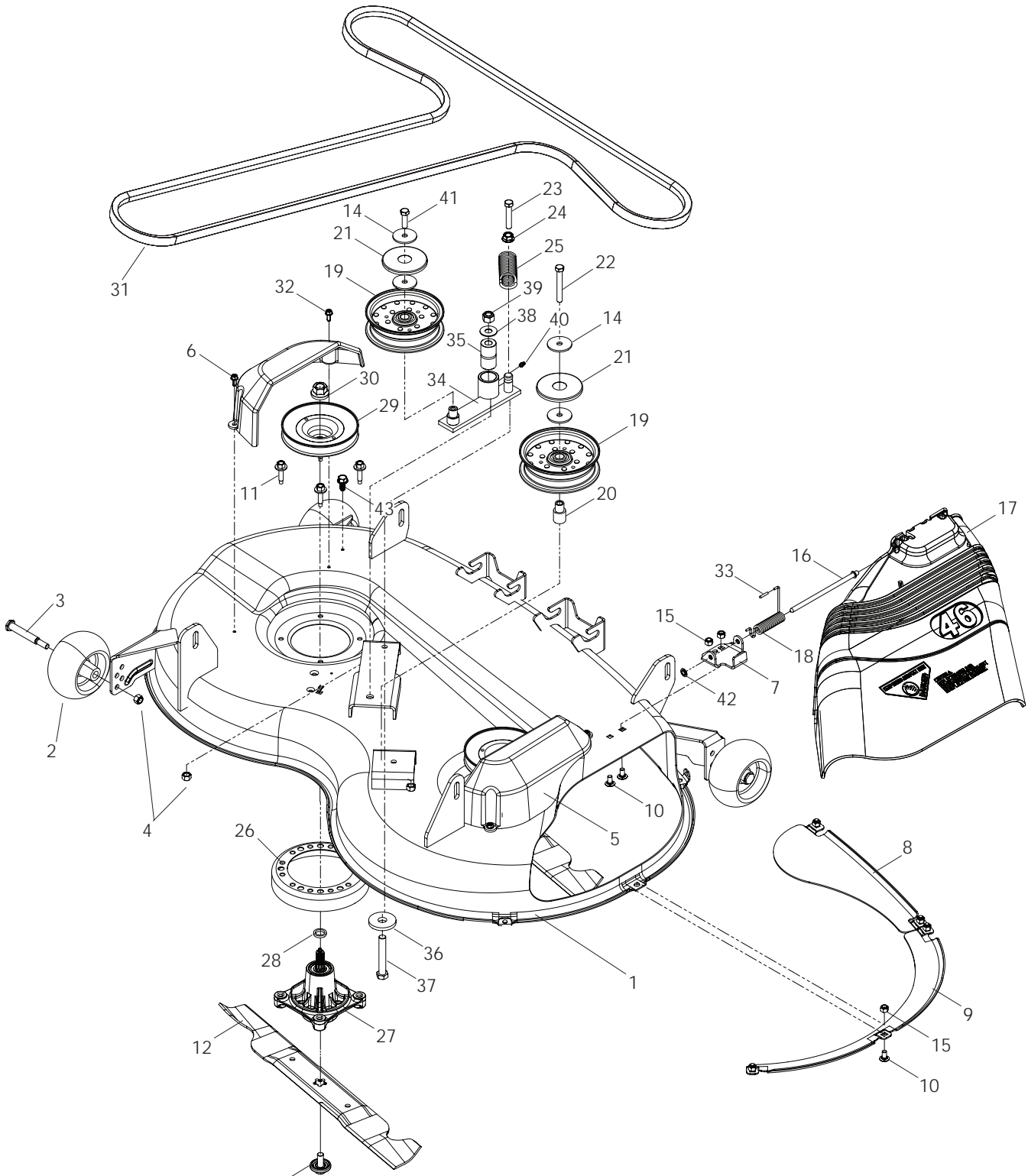
MOWER LIFT / DECK LIFT

| ITEM | PART NO. | QTY. | DESCRIPTION | ITEM | PART NO. | QTY. | DESCRIPTION |
|------|------------|--------|---|------|------------|--------|---|
| 1.. | 539 104808 |8 | ... PILLOW BLOCK | 16.. | 539 990563 |2 | ... HCS $\frac{3}{8}$ -16 x 1 |
| 2.. | 539 112220 |1 | ... FRONT LIFT SHAFT | 17.. | 539 976979 | ... 11 | ... NUT $\frac{3}{8}$ -16 NYLOC |
| 3.. | 539 104807 |4 | ... REINFORCEMENT BAR | 18.. | 539 112232 |1 | ... HT ADJ PLATE, OUTER |
| 4.. | 539 101721 |8 | ... HCS $\frac{5}{16}$ -18 x $2\frac{3}{4}$ | 19.. | 539 102526 |1 | ... LIFT PIN |
| 5.. | 539 990717 |8 | ... NUT $\frac{5}{16}$ -18 NYLOC | 20.. | 539 112234 |1 | ... PAWL, STOP |
| 6.. | 539 112224 |1 | ... REAR LIFT SHAFT | 21.. | 539 112236 |1 | ... SPACER |
| 7.. | 539 112223 |2 | ... STRUT LINKAGE | 22.. | 539 108346 |1 | ... HCS $\frac{1}{2}$ -13 x $2\frac{1}{2}$ |
| 8.. | 539 109693 |4 | ... LIFT CHAIN, 3 LINKS | 23.. | 539 101331 |1 | ... NUT $\frac{1}{2}$ -13 NYLOC |
| 9.. | 539 990839 |8 | ... NUT $\frac{7}{16}$ -14 CENTERLOCK | 24.. | 539 990654 |6 | ... COTTER PIN, $\frac{5}{32}$ x $1\frac{1}{4}$ |
| 10.. | 539 102582 |8 | ... NUT $\frac{7}{16}$ -14 WHIZLK | 25.. | 539 976989 |1 | ... HAIRPIN, #4 |
| 11.. | 539 101175 |8 | ... HCS $\frac{7}{16}$ -14 x $1\frac{1}{2}$ | 26.. | 539 105059 |1 | ... LANYARD |
| 12.. | 539 112230 |1 | ... HEIGHT ADJUST PLATE | 27.. | 539 990250 |2 | ... WASHER $\frac{1}{2}$ SAE |
| 13.. | 539 104530 |2 | ... SPACER | 28.. | 539 110808 |2 | ... DECK LIFT LINK |
| 14.. | 539 102612 |1 | ... HCS $\frac{3}{8}$ -16 x $2\frac{3}{4}$ | 29.. | 539 976982 |4 | ... WASHER $\frac{5}{8}$ SAE |
| 15.. | 539 990629 |3 | ... HCS $\frac{3}{8}$ -16 x $2\frac{1}{4}$ | 30.. | 539 105187 |1 | ... ANTI-SKID PAD |

42 INCH CUTTING DECK

| ITEM | PART NO. | QTY. | DESCRIPTION | ITEM | PART NO. | QTY. | DESCRIPTION |
|------|------------|--------|----------------------------------|------|------------|--------|---------------------------|
| 1.. | 539 103256 |1 | ... SPRING, EXTENSION | 22.. | 539 103433 |1 | ... HCS ½-13 x 3¼ |
| 2.. | 539 103303 |2 | ... PAD | 23.. | 539 112198 |1 | ... ARM, IDLER |
| 3.. | 539 104763 |8 | ... NUT 5/16-18 RETAINER-U | 24.. | 539 976998 |1 | ... ZERK, STRAIGHT ¼-28 |
| 4.. | 539 107520 |3 | ... WASHER, SPACER | 25.. | 539 990550 |1 | ... WASHER 9/16 |
| 5.. | 539 107522 |3 | ... BOLT 7/16 SPEC | 26.. | 539 990582 |1 | ... HCS 3/8-16 x 1 WHIZLK |
| 6.. | 539 107590 |3 | ... NUT 9/16 TOP CNTRLOCK | 27.. | 539 112238 |1 | ... BELTSHIELD, RIGHT |
| 7.. | 532 176066 |1 | ... ROLLER, NOSE | 28.. | 539 112240 |1 | ... BELTSHIELD, LEFT |
| 8.. | 539 107613 |1 | ... ROD, ROLLER, NARROW | 29.. | 539 112248 |2 | ... DECK STOP |
| 9.. | 539 107630 | ...12 | ... SCREW 5/16-18 x 1 3/8 WSH HD | 30.. | 539 112334 |1 | ... BELT |
| 10.. | 539 110315 |3 | ... PULLEY, MANDREL | 31.. | 539 112413 |1 | ... PLATE, CONFINEMENT |
| 11.. | 539 110731 |1 | ... CHUTE, DISCHARGE | 32.. | 539 976979 |2 | ... NUT 3/8-16 NYLOC |
| 12.. | 539 110735 |1 | ... SPRING, TORSION | 33.. | 539 990187 |8 | ... LOCKWASHER 5/16 |
| 13.. | 539 110736 |1 | ... PIN-CLEVIS, 5/16 DIA x 5.19 | 34.. | 539 990209 |8 | ... HCS 5/16-18 x 1 |
| 14.. | 539 112078 |3 | ... BLADE, 14.625" | 35.. | 539 990316 |4 | ... RHSNB 5/16-18 x 3/4 |
| 15.. | 539 112169 |2 | ... BUSHING, IDLER | 36.. | 539 990365 |2 | ... PIN, COTTER 1/8 x 3/4 |
| 16.. | 539 112170 |3 | ... HOUSING ASSEMBLY | 37.. | 539 990517 |3 | ... WASHER 3/8 |
| 17.. | 539 112748 |1 | ... DECK W/DECALS | 38.. | 539 990692 | ...10 | ... WASHER 5/16 |
| 18.. | 539 132728 |3 | ... PULLEY, IDLER NYLON | 39.. | 539 990717 |6 | ... NUT 5/16-18 NYLOC |
| 19.. | 539 101331 |1 | ... NUT ½-13 NYLOC | 40.. | 539 990799 |2 | ... RHSNB 5/16-18 x 5/8 |
| 20.. | 539 102243 |1 | ... WASHER .65 SUPPORT | 41.. | 539 101341 |2 | ... HCS 3/8-16 x 3 |
| 21.. | 539 103427 |1 | ... BUSHING, PIVOT | 42.. | 539 112050 |3 | ... BEARING, BALL |

46 INCH CUTTING DECK

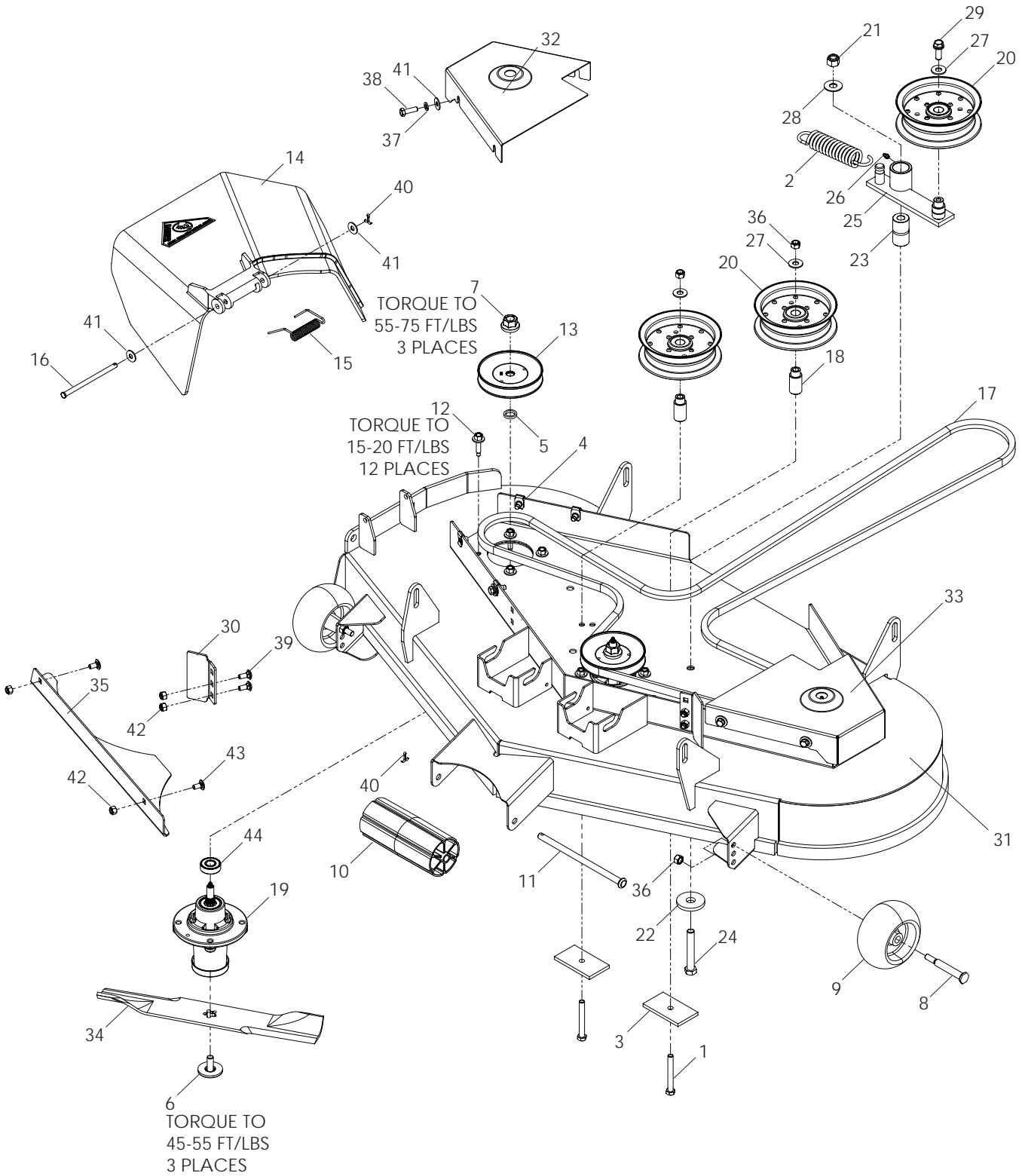


TORQUE TO
45-55 FT/LBS
3 PLACES

46 INCH CUTTING DECK

| ITEM | PART NO. | QTY. | DESCRIPTION | ITEM | PART NO. | QTY. | DESCRIPTION |
|------|------------|--------|----------------------------------|------|------------|--------|--------------------------------|
| 1.. | 539 131487 |1 | ... DECK W/DECALS | 23.. | 539 990588 |1 | ... HCS 3/8-16 x 2 |
| 2.. | 539 107610 |3 | ... WHEEL GAUGE | 24.. | 539 990613 |1 | ... NUT 3/8-16 WHIZLK |
| 3.. | 539 107608 |3 | ... SB 1/2 x 2 5/8 | 25.. | 539 103256 |1 | ... SPRING, EXTENSION |
| 4.. | 539 976979 |5 | ... NUT 3/8-16 NYLOC | 26.. | 539 107518 |2 | ... STRIPPER, ROUND |
| 5.. | 532 405506 |1 | ... SHIELD, BELT, RIGHT | 27.. | 539 107515 |2 | ... CUTTER HOUSING |
| 6.. | 532 405507 |1 | ... SHIELD, BELT, LEFT | 28.. | 539 107520 |2 | ... WASHER, SPACER |
| 7.. | 532 192557 |1 | ... BRACKET, DEFLECTOR | 29.. | 539 113962 |2 | ... PULLEY, DRIVEN |
| 8.. | 532 403149 |1 | ... BAFFLE, FRONT | 30.. | 539 107590 |2 | ... NUT 9/16 TOP CNTRLOCK |
| 9.. | 532 403150 |1 | ... BAFFLE, FRONT, RIGHT | 31.. | 539 113917 |1 | ... BELT, DECK |
| 10.. | 539 990799 |7 | ... RHSNB 5/16-18 x 5/8 | 32.. | 539 107631 |4 | ... SCREW 1/4-20 x 5/8 THDROLL |
| 11.. | 539 107630 |8 | ... SCREW 5/16-18 x 1 3/8 WSH HD | 33.. | 539 107627 |1 | ... CAP, SLEEVE |
| 12.. | 777 405380 |2 | ... BLADE 46" HI-LIFT | 34.. | 539 103230 |1 | ... ARM, IDLER |
| 13.. | 532 193003 |2 | ... BOLT, WASHER 7/16-20 UNF | 35.. | 539 103427 |1 | ... BUSHING, PIVOT |
| 14.. | 539 111897 |4 | ... WASHER 3/8 SPECIAL | 36.. | 539 102243 |1 | ... WASHER .65 SUPPORT |
| 15.. | 539 990717 |7 | ... NUT 5/16-18 NYLOC | 37.. | 539 103433 |1 | ... HCS 1/2-13 x 3 1/4 |
| 16.. | 539 110462 |1 | ... ROD, HINGE | 38.. | 539 990550 |1 | ... WASHER 9/16 |
| 17.. | 532 405357 |1 | ... SHIELD, DEFLECTOR | 39.. | 539 101331 |1 | ... NUT 1/2-13 NYLOC |
| 18.. | 539 107609 |1 | ... SPRING, TORSION | 40.. | 539 976998 |1 | ... ZERK |
| 19.. | 539 103257 |2 | ... PULLEY, IDLER | 41.. | 539 976941 |1 | ... HCS 3/8-16 x 1 1/4 |
| 20.. | 539 103295 |1 | ... BUSHING, IDLER | 42.. | 539 107626 |1 | ... PUSHNUT |
| 21.. | 539 108450 |2 | ... TOP DUST CAP | 43.. | 539 133027 |1 | ... SCREW 3/8-16 x 3/4 THD CUT |
| 22.. | 539 106492 |1 | ... HCS 3/8-16 x 2 3/4 | | | | |

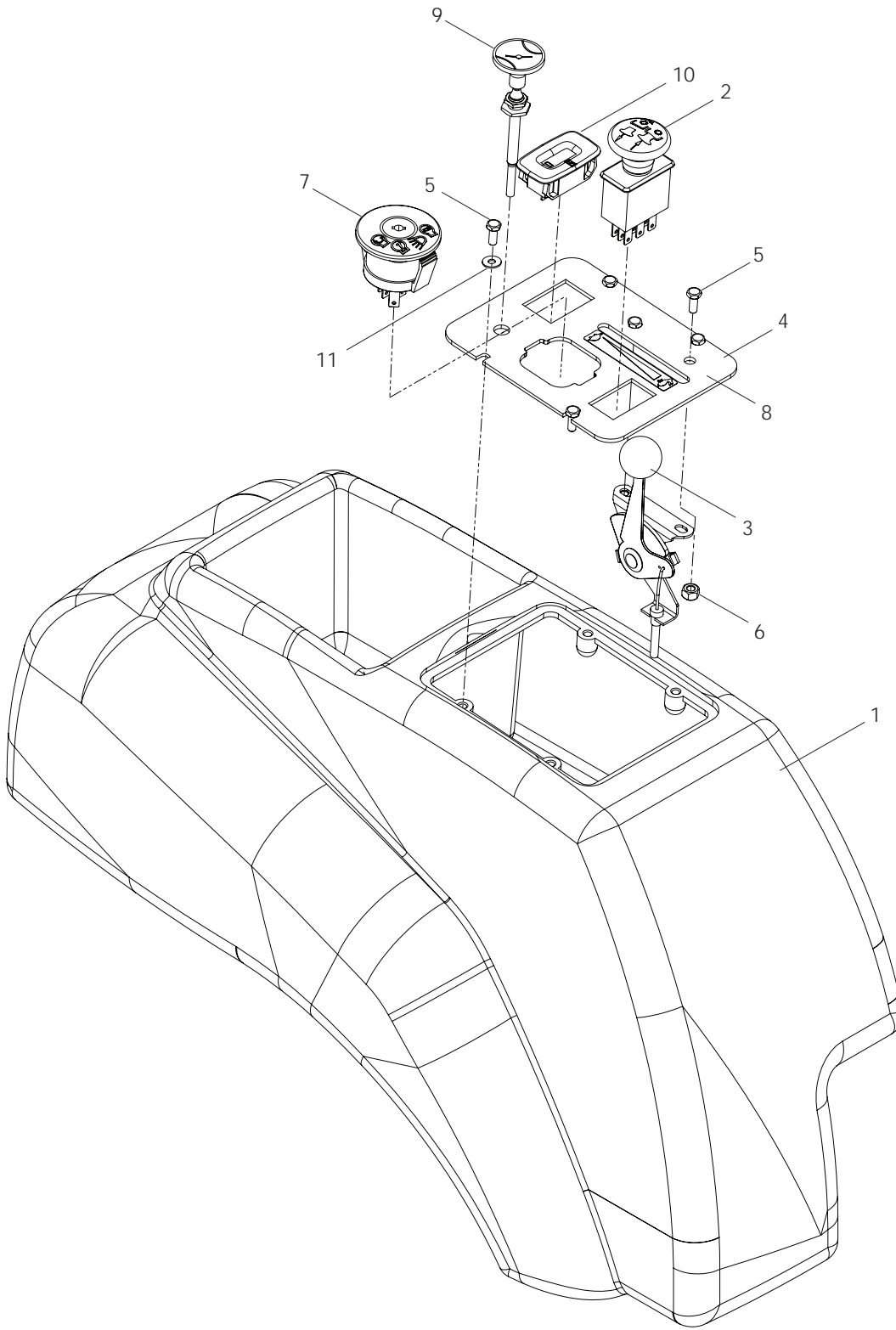
48 INCH CUTTING DECK



48 INCH CUTTING DECK

| ITEM | PART NO. | QTY. | DESCRIPTION | ITEM | PART NO. | QTY. | DESCRIPTION |
|------|------------|--------|----------------------------------|------|------------|--------|-----------------------------|
| 1.. | 539 101341 |2 | ... HCS 3/8-16 x 3 | 23.. | 539 103427 |1 | ... BUSHING, PIVOT |
| 2.. | 539 103256 |1 | ... SPRING, EXTENSION | 24.. | 539 103433 |1 | ... HCS 1/2-13 x 3 1/4 |
| 3.. | 539 103303 |2 | ... PAD | 25.. | 539 112198 |1 | ... ARM, IDLER |
| 4.. | 539 104763 |8 | ... NUT 5/16-18 RETAINER-U | 26.. | 539 976998 |1 | ... ZERK, STRAIGHT 1/4-28 |
| 5.. | 539 107520 |3 | ... WASHER, SPACER | 27.. | 539 990517 |3 | ... WASHER 3/8 |
| 6.. | 539 107522 |3 | ... BOLT 7/16 | 28.. | 539 990550 |1 | ... WASHER 9/16 |
| 7.. | 539 107590 |3 | ... NUT 9/16 TOP CNTRLOCK | 29.. | 539 990582 |1 | ... HCS 3/8-16 x 1 WHIZLK |
| 8.. | 539 107608 |3 | ... SB 1/2 x 2 5/8 | 30.. | 539 112248 |2 | ... DECK STOP |
| 9.. | 539 107610 |2 | ... WHEEL, GAUGE | 31.. | 539 114047 |1 | ... 48" DECK W/DECALS |
| 10.. | 532 176066 |1 | ... ROLLER, NOSE | 32.. | 539 114051 |1 | ... BELT SHIELD W/DECAL, RT |
| 11.. | 539 107613 |1 | ... ROD, ROLLER, NARROW | 33.. | 539 114052 |1 | ... BELT SHIELD W/DECAL, LT |
| 12.. | 539 107630 | ...12 | ... SCREW 5/16-18 x 1 3/8 WSH HD | 34.. | 539 113425 |3 | ... BLADE, 16 1/4" |
| 13.. | 539 110315 |3 | ... PULLEY, MANDREL | 35.. | 539 113427 |1 | ... PLATE, CONFINEMENT |
| 14.. | 539 110732 |1 | ... CHUTE, DISCHARGE | 36.. | 539 976979 |4 | ... NUT 3/8-16 NYLOC |
| 15.. | 539 110735 |1 | ... SPRING, TORSION | 37.. | 539 990187 |8 | ... LOCKWASHER 5/16 |
| 16.. | 539 110736 |1 | ... PIN, CLEVIS 5/16 DIA x 5.19 | 38.. | 539 990209 |8 | ... HCS 5/16-18 x 1 |
| 17.. | 539 110832 |1 | ... DECK BELT | 39.. | 539 990316 |4 | ... RHSNB 5/16-18 x 3/4 |
| 18.. | 539 112169 |3 | ... BUSHING, IDLER | 40.. | 539 990365 |2 | ... PIN, COTTER 1/8 x 3/4 |
| 19.. | 539 112170 |3 | ... HOUSING ASSEMBLY | 41.. | 539 990692 | ...10 | ... WASHER 5/16 |
| 20.. | 539 132728 |3 | ... PULLEY, IDLER | 42.. | 539 990717 |6 | ... NUT 5/16-18 NYLOC |
| 21.. | 539 101331 |1 | ... NUT 1/2-13 NYLOC | 43.. | 539 990799 |2 | ... RHSNB 5/16-18 x 5/8 |
| 22.. | 539 102243 |1 | ... WASHER .65 SUPPORT | 44.. | 539 112050 |3 | ... BEARING, BALL |

CONTROLS

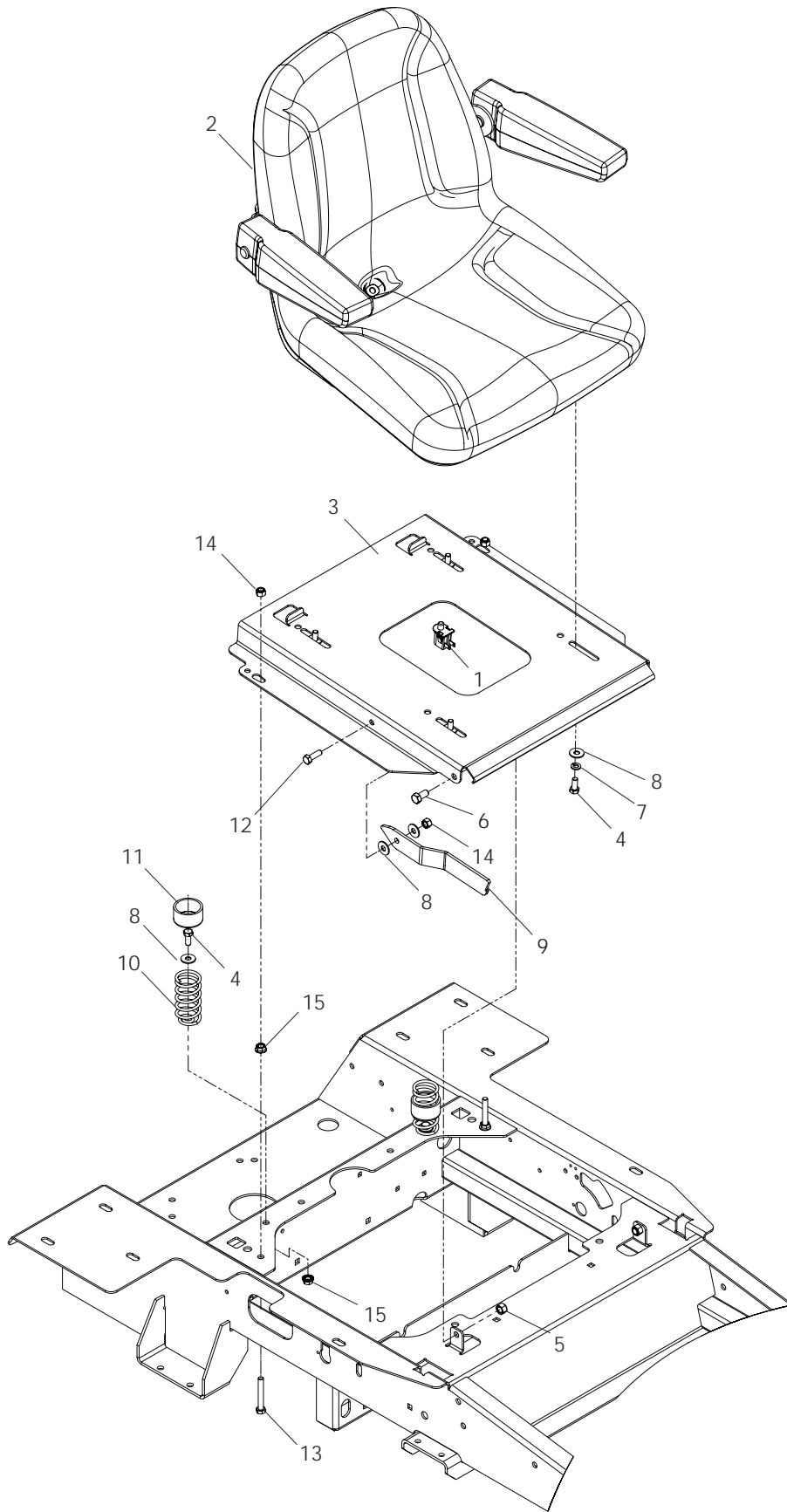


CONTROLS

| ITEM | PART NO. | QTY. | DESCRIPTION |
|------|------------|--------|----------------------|
| 1.. | 539 107593 |1 | ... CONSOLE |
| 2.. | 539 101768 |1 | ... SWITCH, CLUTCH |
| 3.. | 539 112438 |1 | ... CABLE, THROTTLE |
| 4.. | 539 109858 |1 | ... PLATE, CONSOLE |
| 5.. | 539 990411 |6 | ... HCS #10-24 x ½ |
| 6.. | 539 976977 |2 | ... NUT #10-24 NYLOC |

| ITEM | PART NO. | QTY. | DESCRIPTION |
|------|------------|--------|----------------------|
| 7.. | 539 107541 |1 | ... SWITCH, IGNITION |
| 8.. | 539 109838 |1 | ... DECAL, THROTTLE |
| 9.. | 539 130209 |1 | ... CONTROL, CHOKE |
| 10.. | 539 110074 |1 | ... METER, HOUR |
| 11.. | 539 105408 |4 | ... WASHER #10 |

SEAT

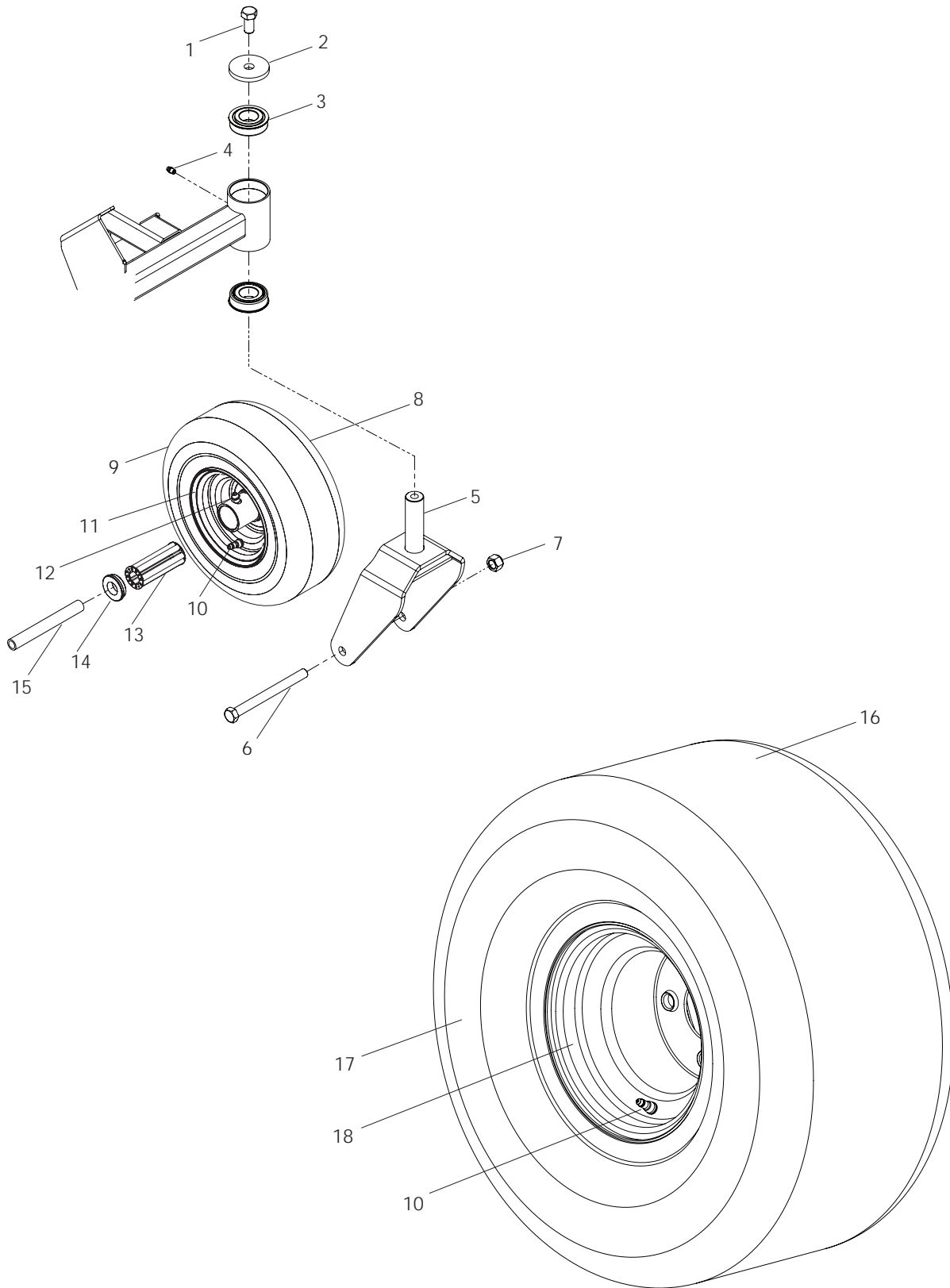


SEAT

| ITEM | PART NO. | QTY. | DESCRIPTION |
|------|------------|--------|--|
| 1.. | 539 119741 |1 | ... SWITCH, SEAT |
| 2.. | 539 108744 |1 | ... SEAT W/ARMREST |
| 3.. | 539 131849 |1 | ... PAN, SEAT |
| 4.. | 539 976934 |6 | ... HCS $\frac{5}{16}$ -18 x $\frac{3}{4}$ |
| 5.. | 539 976979 |2 | ... NUT $\frac{3}{8}$ -16 NYLOC |
| 6.. | 539 990134 |2 | ... HCS $\frac{3}{8}$ -16 x $\frac{3}{4}$ |
| 7.. | 539 990187 |4 | ... LOCKWASHER $\frac{5}{16}$ |
| 8.. | 539 990692 |8 | ... WASHER $\frac{5}{16}$ |

| ITEM | PART NO. | QTY. | DESCRIPTION |
|------|------------|--------|---|
| 9.. | 539 114631 |1 | ... ARM, PROP |
| 10.. | 539 122632 |2 | ... SPRING, SEAT |
| 11.. | 539 119884 |2 | ... CAP, SPRING |
| 12.. | 539 990209 |1 | ... HCS $\frac{5}{16}$ -18 x 1 |
| 13.. | 539 991055 |2 | ... HCS $\frac{5}{16}$ -18 x $2\frac{1}{4}$ TAP |
| 14.. | 539 990717 |3 | ... NUT $\frac{5}{16}$ -18 NYLOC |
| 15.. | 539 990585 |4 | ... NUT $\frac{5}{16}$ -18 WHIZLK |

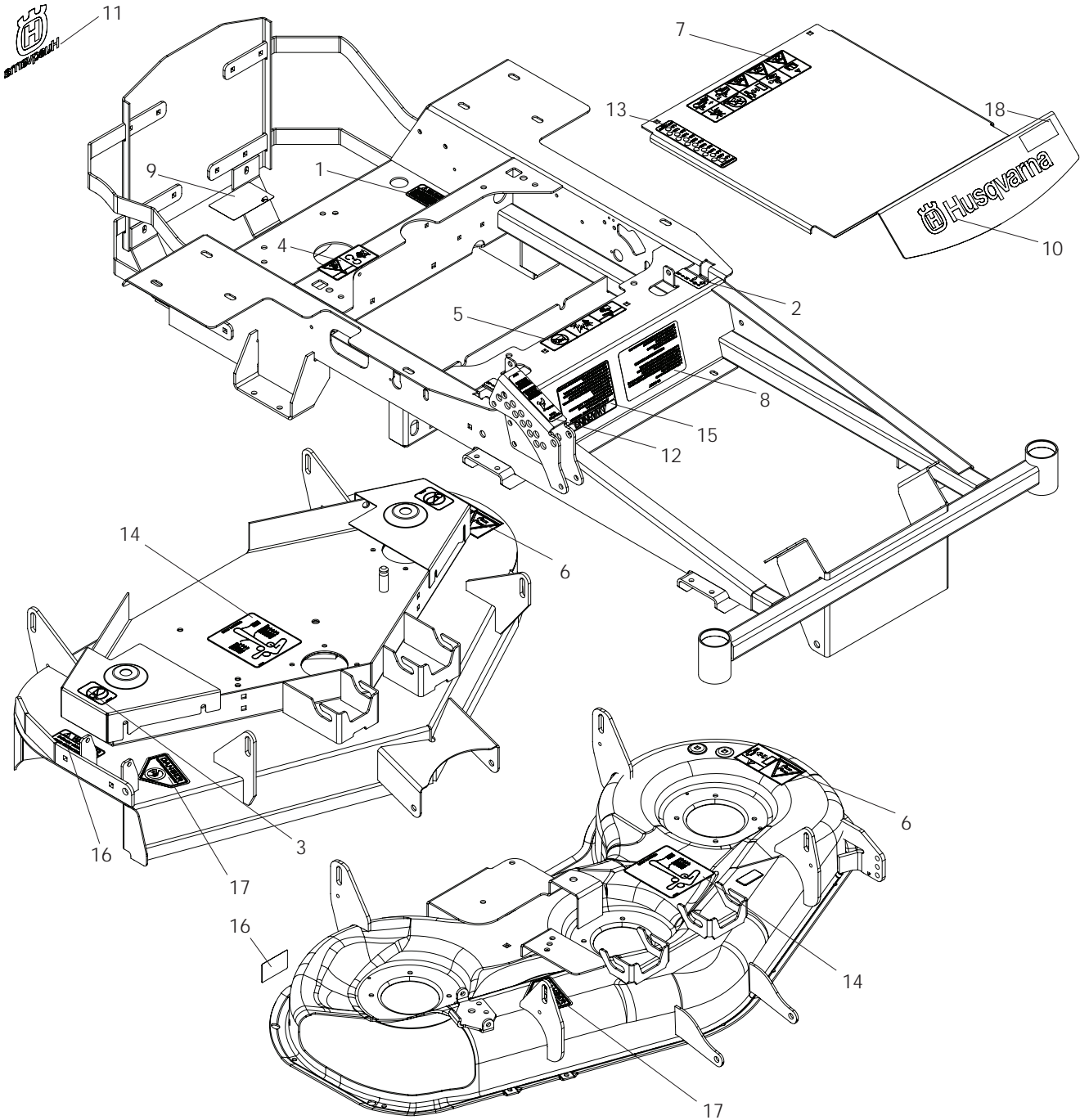
WHEELS AND TIRES



WHEELS AND TIRES

| ITEM | PART NO. | QTY. | DESCRIPTION | ITEM | PART NO. | QTY. | DESCRIPTION |
|------|------------|--------|------------------------|------|------------|--------|----------------------------|
| 1.. | 539 990646 |2 | HCS ½-13 x 1 | 16.. | 539 130820 |2 | TIRE & RIM, REAR |
| 2.. | 539 112670 |2 | HEAVY WASHER | .. | 539 131996 |2 | TIRE & RIM, REAR |
| 3.. | 539 112660 |4 | BEARING, FLANGED | | | | Model EZ4824 |
| 4.. | 539 101474 |4 | ZERK | | | | After Serial No. 0749xxxxx |
| 5.. | 539 113444 |2 | CASTER YOKE | .. | 539 131110 |2 | TIRE & RIM, REAR |
| 6.. | 539 101907 |2 | HCS ½-13 x 5½ | | | | Model EZ4624 |
| 7.. | 539 101331 |2 | NUT ½-13 NYLOC | | | | After Serial No. 0805xxxxx |
| 8.. | 539 106993 |2 | CASTER TIRE, COMPLETE | .. | 539 112212 |2 | TIRE & RIM, REAR |
| | | | Items 8-14 | | | | MODEL EZ4220 |
| 9.. | 539 106995 |2 | TIRE, 4 PLY, 410/350-5 | 17.. | 539 130822 |1 | TIRE |
| 10.. | 539 912234 |2 | VALVE STEM | .. | 539 131997 |2 | TIRE, REAR |
| 11.. | 539 106994 |2 | RIM | | | | Model EZ4824 |
| 12.. | 539 103300 |2 | ZERK | | | | After Serial No. 0749xxxxx |
| 13.. | 539 105307 |1 | ROLLER BEARING 3¼ | .. | 539 131109 |2 | TIRE, REAR |
| 14.. | 539 102484 |4 | BEARING, FLANGED | | | | Model EZ4624 |
| 15.. | 539 105543 |2 | SPACER | | | | After Serial No. 0805xxxxx |
| | | | | .. | 539 112213 |1 | TIRE, MODEL EZ4220 |
| | | | | 18.. | 539 112217 |1 | RIM |
| | | | | .. | 539 112214 |1 | RIM, MODEL EZ4220 |

DECALS



DECALS

| ITEM | PART NO. | QTY. | DESCRIPTION | ITEM | PART NO. | QTY. | DESCRIPTION |
|------|------------------|-------|------------------------|------|------------------|-------|-------------------------|
| 1.. | 539 101881 | 1 ... | DECAL, PROP 65 | 11.. | 539 111055..... | 1 ... | DECAL, CROWN |
| 2.. | 539 103333 | 2 ... | DECAL, MOTION CONTROL | 12.. | 539 112657 | 1 ... | DECAL, TRNSPORT RELEASE |
| 3.. | 539 105743 | 2 ... | DECAL, NO STEP | 13.. | 539 112785 | 1 ... | DECAL, HEIGHT ADJSTMENT |
| 4.. | 539 105744 | 1 ... | DECAL, DANGER BELT | 14.. | 539 113442 | 1 ... | DECAL, BELT ROUTING |
| 5.. | 539 105745 | 1 ... | DECAL, BATTERY WARNING | 15.. | 539 113213 | 1 ... | DECAL, WARNING |
| 6.. | 539 105746 | 1 ... | DECAL, SEVERING | 16.. | 539 113224 | 1 ... | DECAL, CAUTION |
| 7.. | 539 107959 | 1 ... | DECAL, WARNING | 17.. | 539 913010..... | 1 ... | DECAL, WARNING |
| 8.. | 539 108179 | 1 ... | DECAL, START | 18.. | 539 131321 | 1 ... | DECAL, EZ4220 |
| 9.. | 539 108385 | 1 ... | DECAL, DO NOT TOW | .. | 539 131287 | 1 ... | DECAL, EZ4624 |
| 10.. | 539 111047..... | 1 ... | DECAL, HUSQVARNA | .. | 539 131438..... | 1 ... | DECAL, EZ4824 |

