

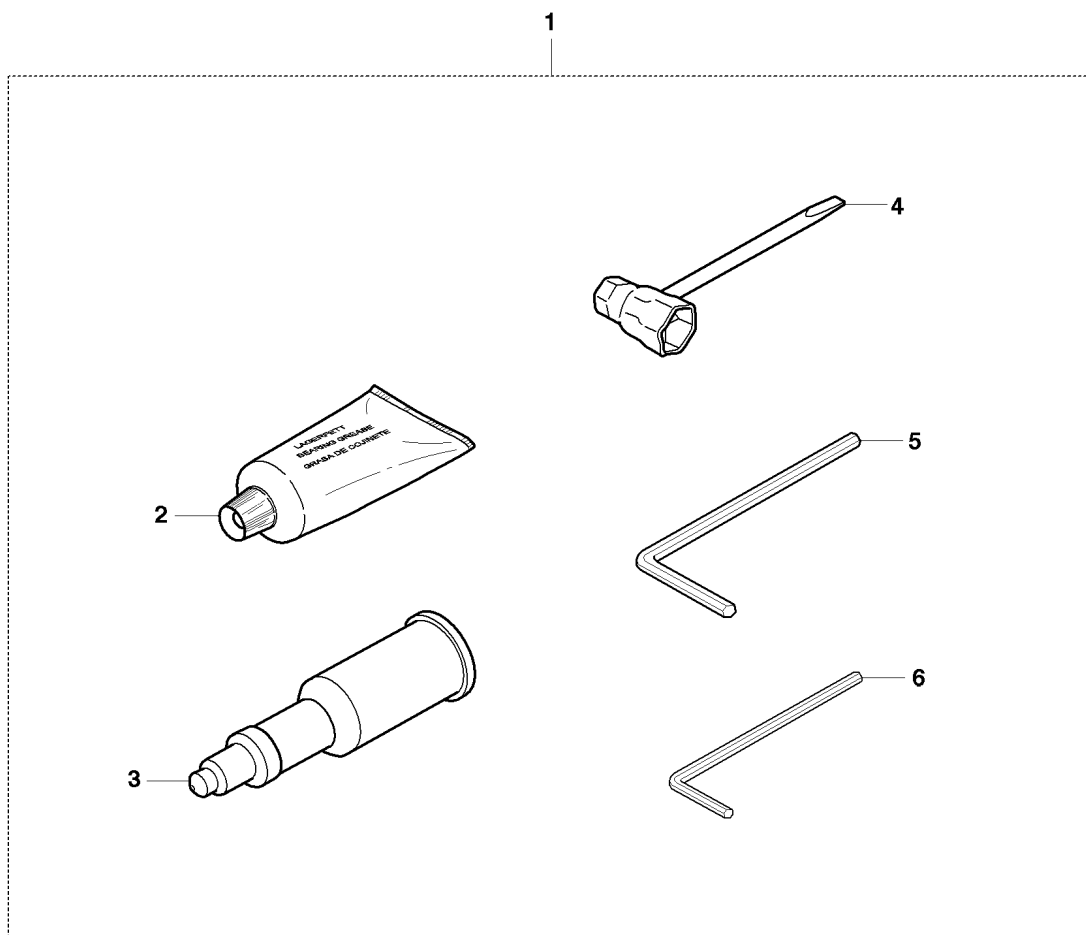


SPARE PARTS LIST

CHAIN SAWS

268, 2009-04

P Tillbehör
Accessories
Zubehöre
Accessoires
Accesorios

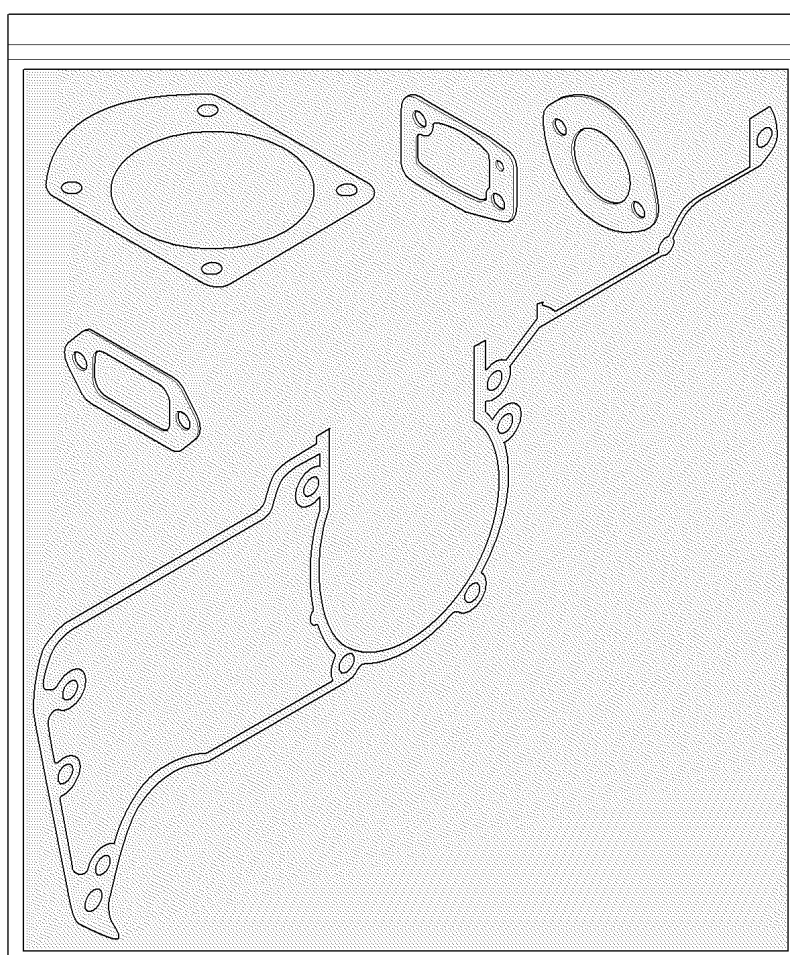


ACCESSORIES

268, 2009-04

Ref	Part No	Description	Remark	QTY	KIT
1	503 55 85-01	TOOL		1	
2	503 62 12-01	GREASE		1	1
3	501 91 14-01	GREASE GUN		1	1
4	501 69 17-01	COMBINATION WRENCH		1	1
5	503 55 86-02	SPANNER		1	1
6	503 55 86-01	SPANNER		1	1

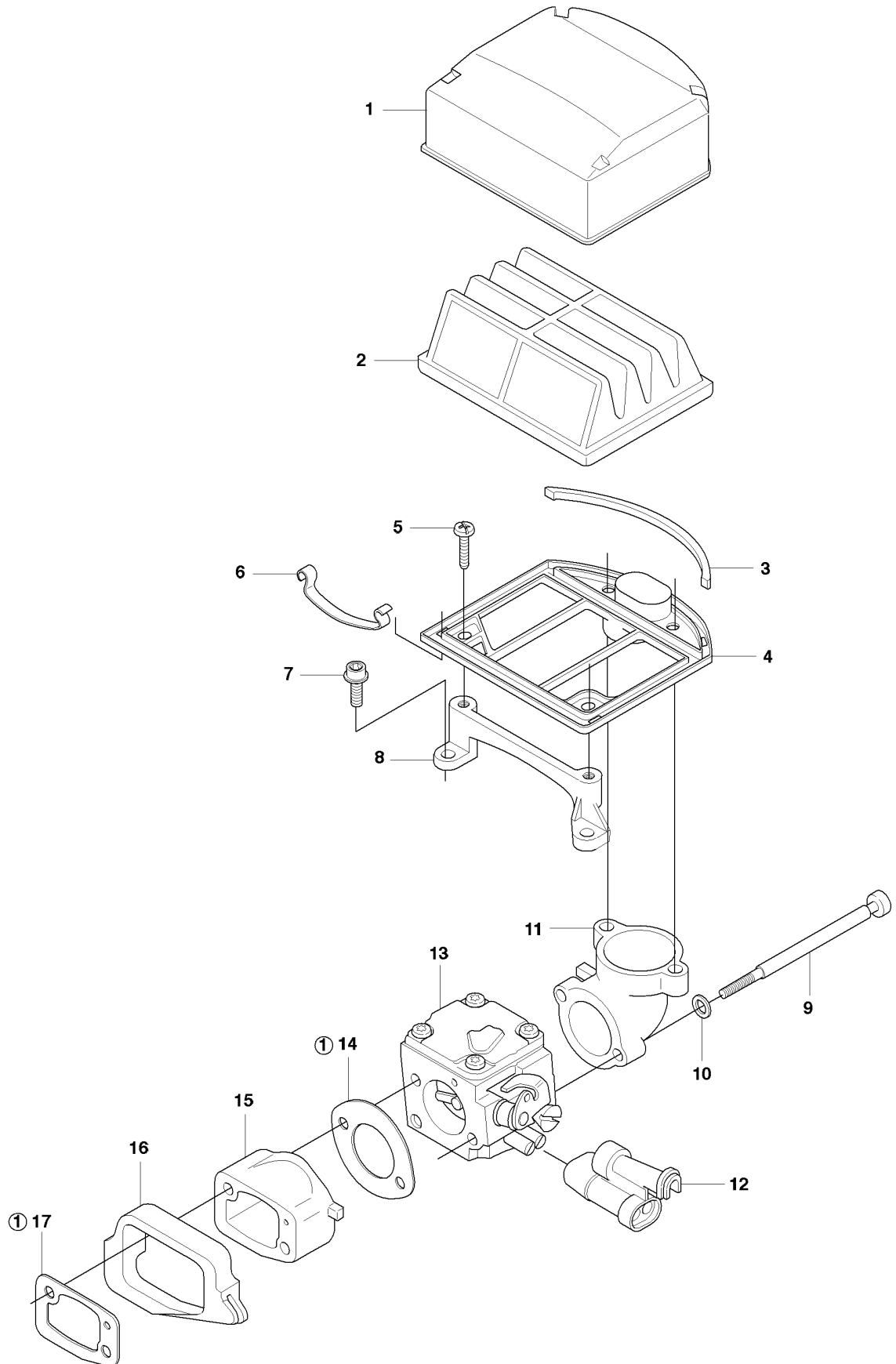
Q Levereras endast som reservdel
Delivery as spare part only
Nur als Ersatzteil lieferbar
Livable seulement comme pièce de rechange
Solo como repuesto
Zasilà se jenom jako náhradni díl



1 ①
Set of gaskets
Dichtungssatz
Jeu de joints
Juego de juntas
Packningssats

Ref	Part No	Description	Remark	QTY KIT
1	501 52 26-04	GASKET KIT		1

G 268, 272
CARBURETOR & AIR FILTER



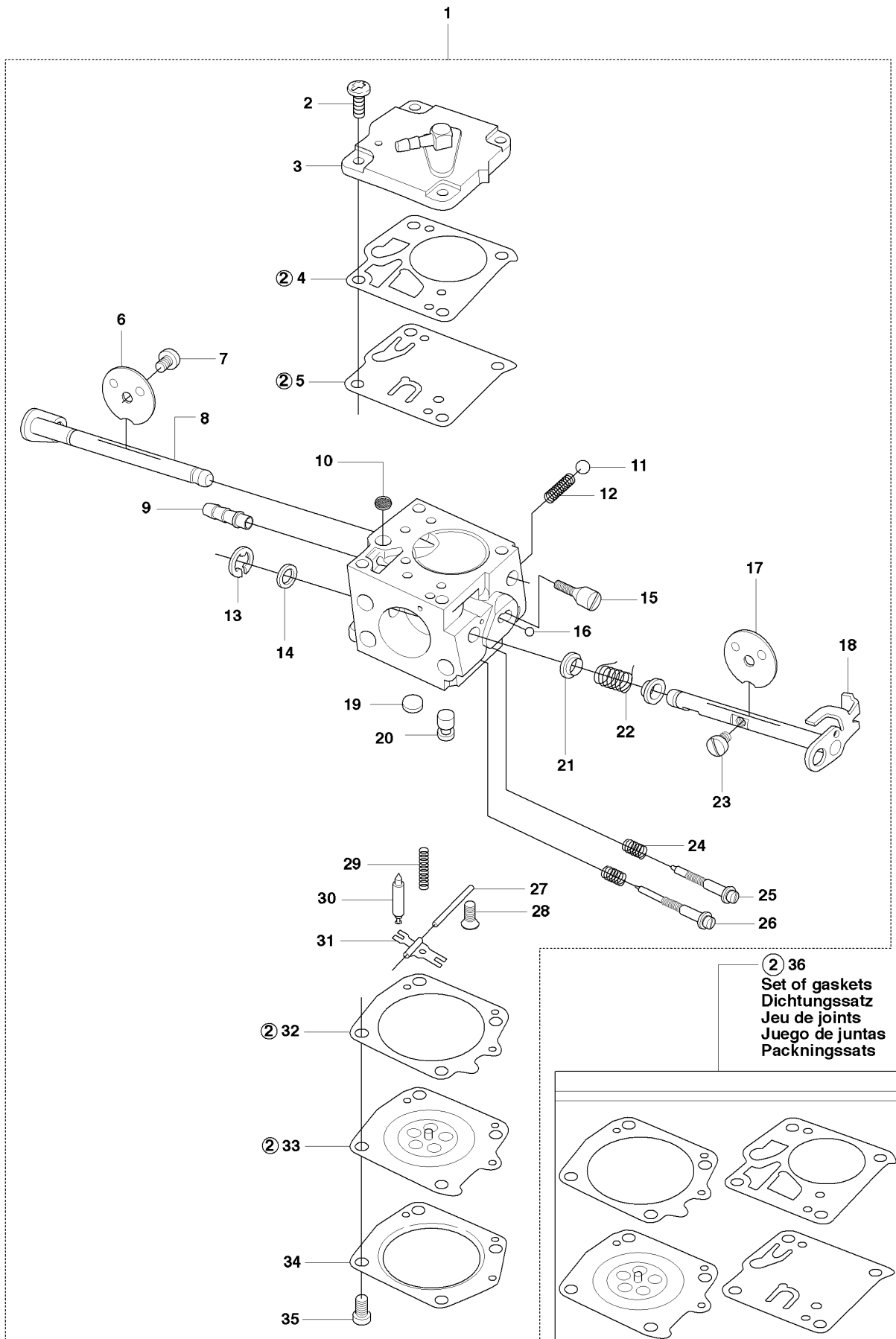
CARBURETOR & AIR FILTER

268, 2009-04

Ref	Part No	Description	Remark	QTY KIT
1	503 44 69-01	FILTER HOLDER		1
2	503 44 72-01	AIR FILTER		1
2	503 44 72-04	AIR FILTER		1
2	503 44 72-03	AIR FILTER		1
3	503 44 71-02	GASKET		1
4	503 44 67-01	FILTER HOLDER		1
5	503 21 27-16	SCREW CRPANT		4
6	503 44 68-01	FILTER HOLDER		2
7	503 20 03-12	SCREW IHSCFM		2
8	503 44 63-01	CONSOLE		1
9	503 49 69-01	SCREW		2
10	734 11 46-01	WASHER		2
11	503 44 65-71	FILTER HOLDER		1
12	503 44 51-01	GUIDE BUSHING		1
13	503 28 03-16	CARBURETTOR		1
14	501 29 64-02	GASKET		1
15	501 80 66-02	MANIFOLD		1
16	501 65 90-01	SEALING COLLAR		1
17	501 80 68-03	GASKET		1

N 268, 272
CARBURETOR DETAILS

Tillotson HS 260A

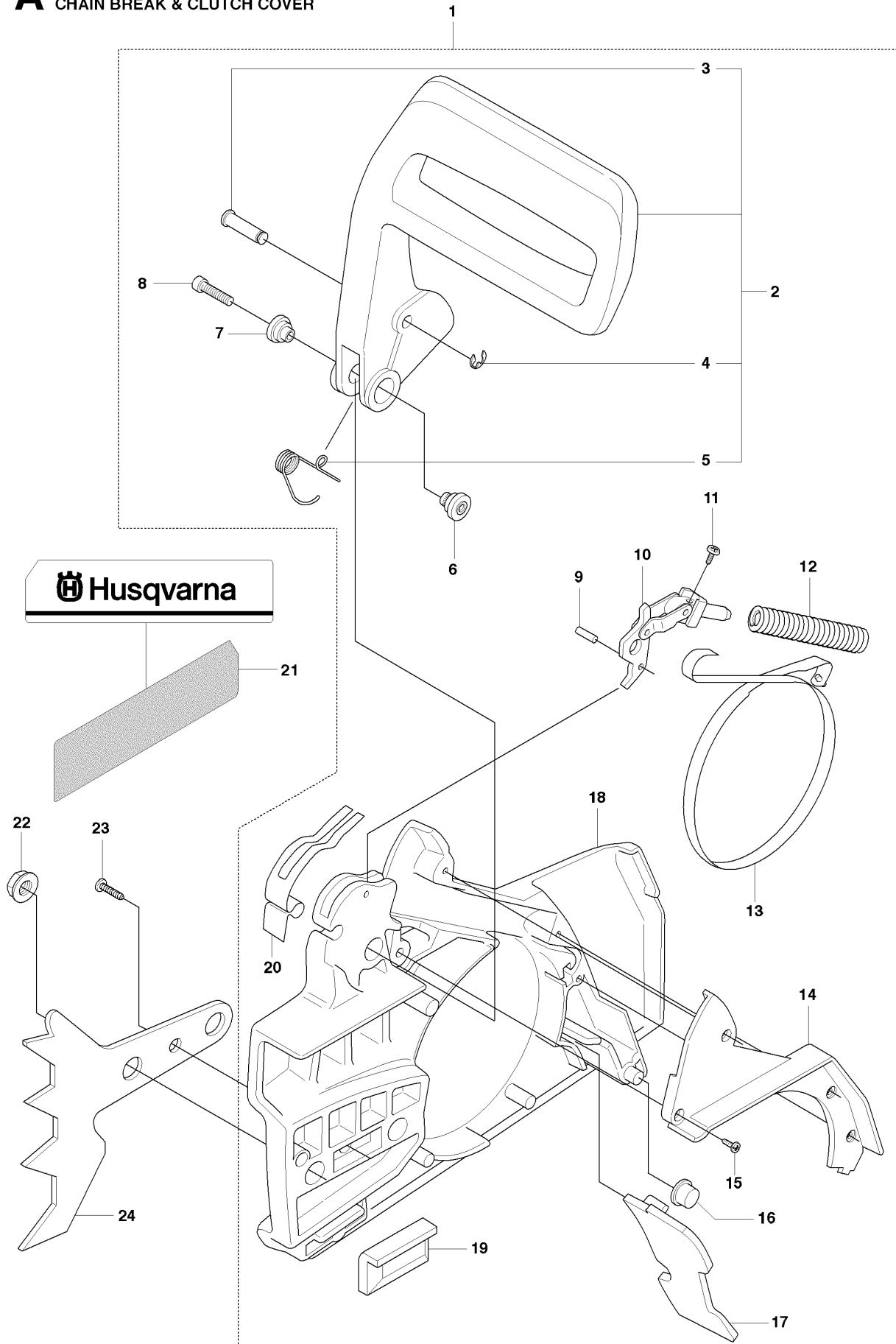


CARBURETOR DETAILS

268, 2009-04

Ref	Part No	Description	Remark	QTY	KIT
1	503 28 03-16	CARBURETTOR		1	
2	501 22 15-01	SCREW		4	1
3	501 22 14-01	FUEL PUMP COVER		1	1
4	501 22 13-01	FUEL PUMP		1	1, 36
5	501 22 12-01	FUEL PUMP DIAPHRAM		1	1, 36
6	502 01 22-01	CHOKE SHUTTER		1	1
7	503 65 27-01	SCREW SHUTTER		1	1
8	503 53 37-01	CHOKE SHAFT		1	1
9	503 53 39-01	TUBE CONNECTOR		1	1
10	503 98 82-01	SCREEN		1	1
11	501 22 04-01	CHOKE FRICTION BALL		1	1
12	501 22 05-01	SPRING		1	1
13	501 82 18-01	THROTTLE SH."E"RING		1	1
14	501 82 17-01	WASHER		1	1
15	503 57 87-01	IDLE SPEED SCREW		1	1
16	503 57 86-01	SPEED SCREW RET BALL		1	1
17	501 69 11-01	THROTTLE FLAP		1	1
18	503 53 32-01	THROTTLE SHAFT		1	1
19	501 22 03-01	PLUG WELCH		1	1
20	503 58 09-09	KIT		1	1
21	501 42 71-01	CHOKE SHAFT		2	1
22	505 31 66-05	THROTTLE SH. SPRING		1	1
23	503 65 27-01	SCREW SHUTTER		1	1
24	501 26 90-01	MIXTURE SCREW SPRING		2	1
25	503 59 95-01	MAIN MIXTURE SCREW		1	1
26	501 26 85-01	IDLE MIXTURE SCREW		1	1
27	501 22 21-01	PIN RETAINING SCREW		1	1
28	501 22 22-01	LOCK SCREW		1	1
29	501 22 25-01	SPRING		1	1
30	501 22 23-01	NEEDLE		1	1
31	501 22 20-01	LEVER		1	1
32	501 22 08-01	DIAPHRAGM		1	1, 36
33	501 22 09-01	DIAPHRAGM		1	1, 36
34	503 53 36-01	DIAPHRAGM		1	1
35	503 48 63-01	SCREW		4	1
36	501 49 48-02	GASKET KIT		1	

A 268, 272
CHAIN BREAK & CLUTCH COVER

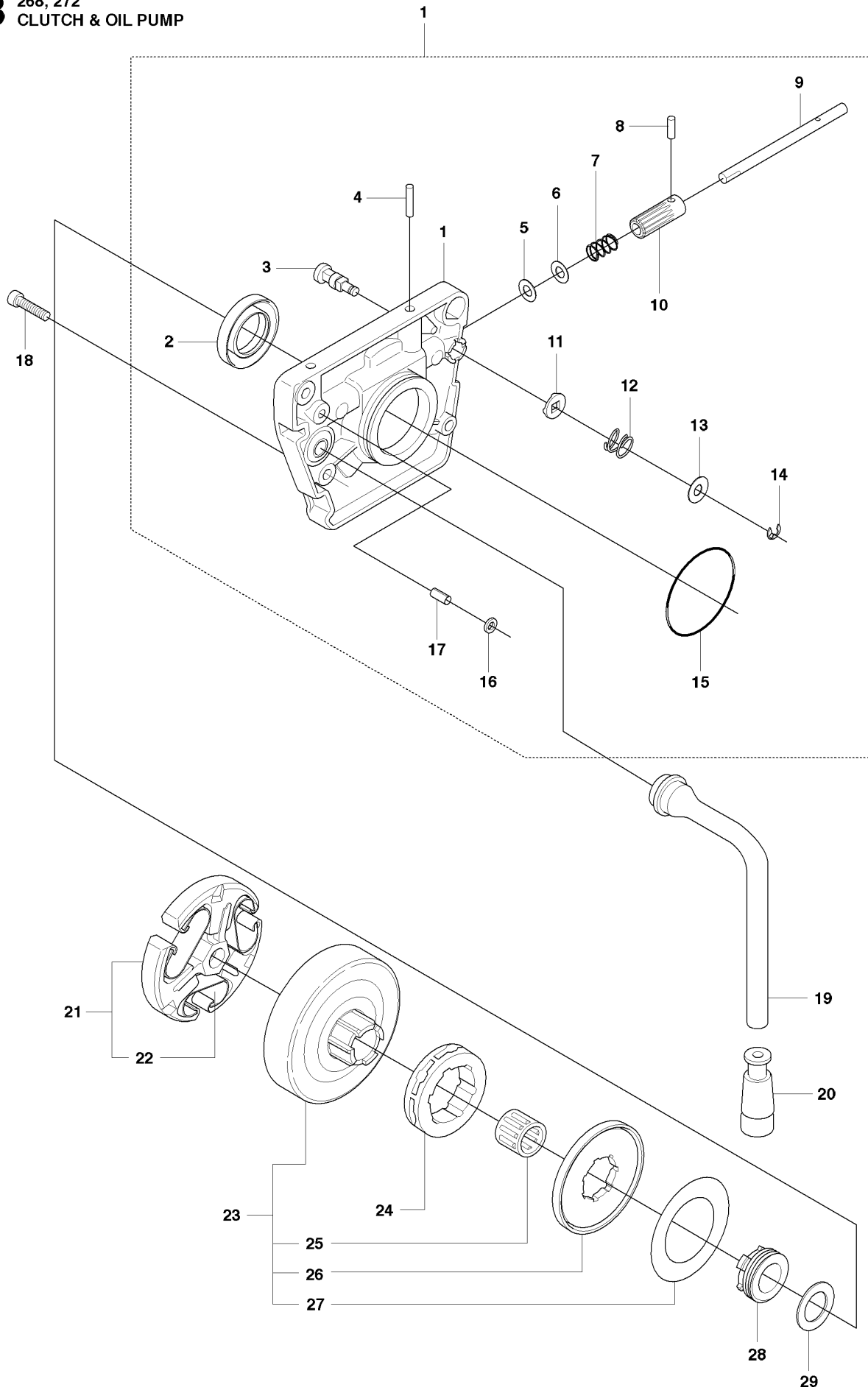


CHAIN BRAKE & CLUTCH COVER

268, 2009-04

Ref	Part No	Description	Remark	QTY	KIT
1	503 73 66-01	CLUTCH COVER ASSY		1	
2	503 72 74-01	HAND GUARD ASSY		1	1
3	503 80 27-01	PIVOT PIN		1	2, 1
4	735 31 08-20	E-CLIP		1	2, 1
5	506 16 48-01	POSITION SPRING		1	2, 1
6	503 52 08-01	SHAFT PIVOT		1	1
7	501 76 80-01	SHAFT PIVOT		1	1
8	503 20 26-16	SCREW IHSCM		1	1
9	720 12 33-51	PARALLEL PIN		1	1
10	501 87 53-03	KNEE JOINT		1	1
11	503 21 28-10	SCREW CCRPANT		1	1
12	503 70 99-01	BRAKE SPRING		1	1
13	503 70 40-02	BRAKE BAND ASSY		1	1
14	503 70 47-01	LID		1	1
15	503 21 28-10	SCREW CCRPANT		4	1
16	503 72 31-01	BUSHING		1	1
17	503 73 05-01	CHIP GUARD		1	1
18	503 70 46-01	CLUTCH COVER		1	1
19	501 51 72-01	CHAIN GUIDE		1	1
20	501 87 47-01	SPRING		1	1
21	503 76 81-01	LABEL		1	
22	503 22 00-01	HEXAGON NUT		2	
23	725 53 27-55	SCREW IHSCM		1	
24	503 59 07-01	SPIKE OUTER		1	

B 268, 272
CLUTCH & OIL PUMP

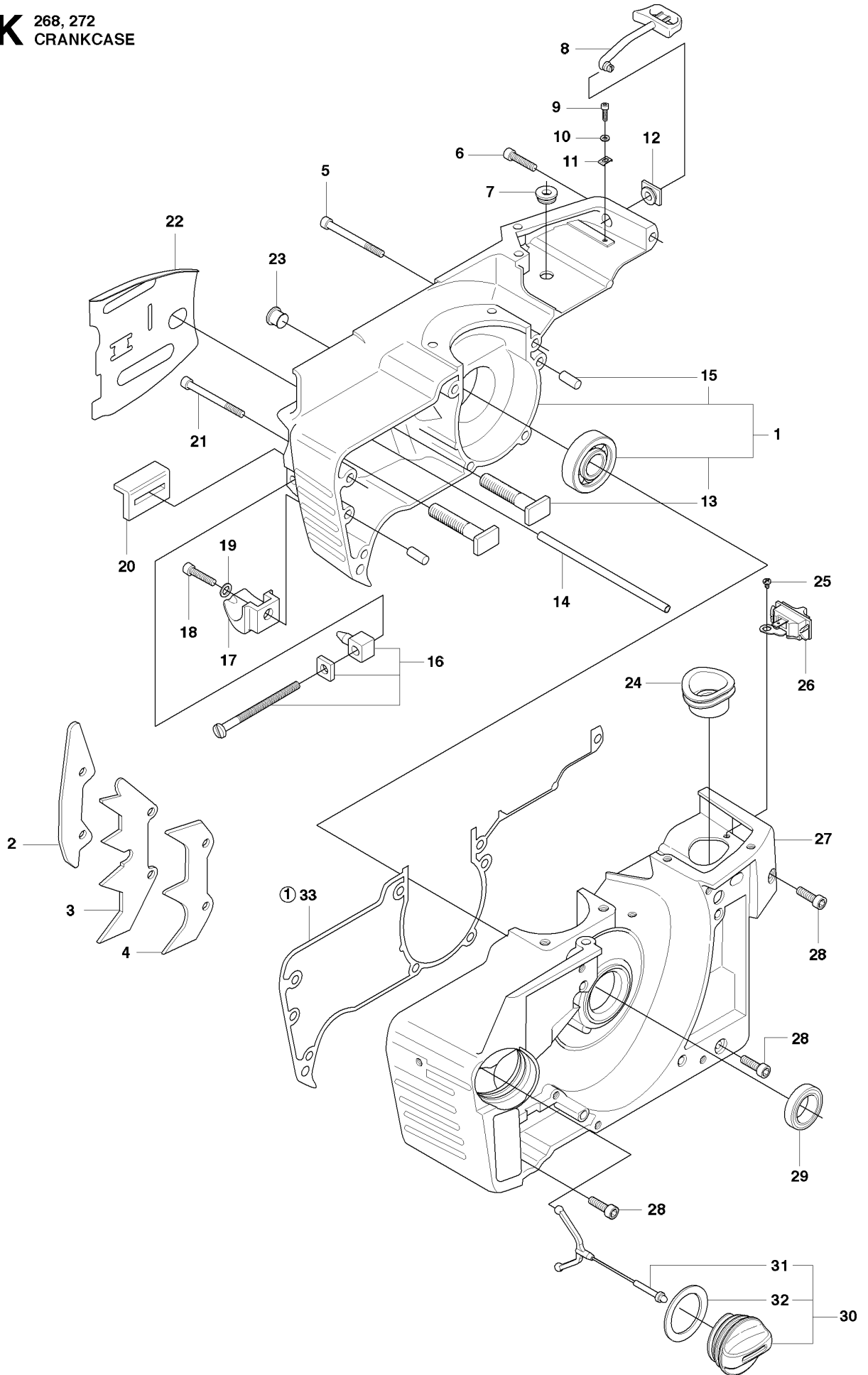


CLUTCH & OIL PUMP

268, 2009-04

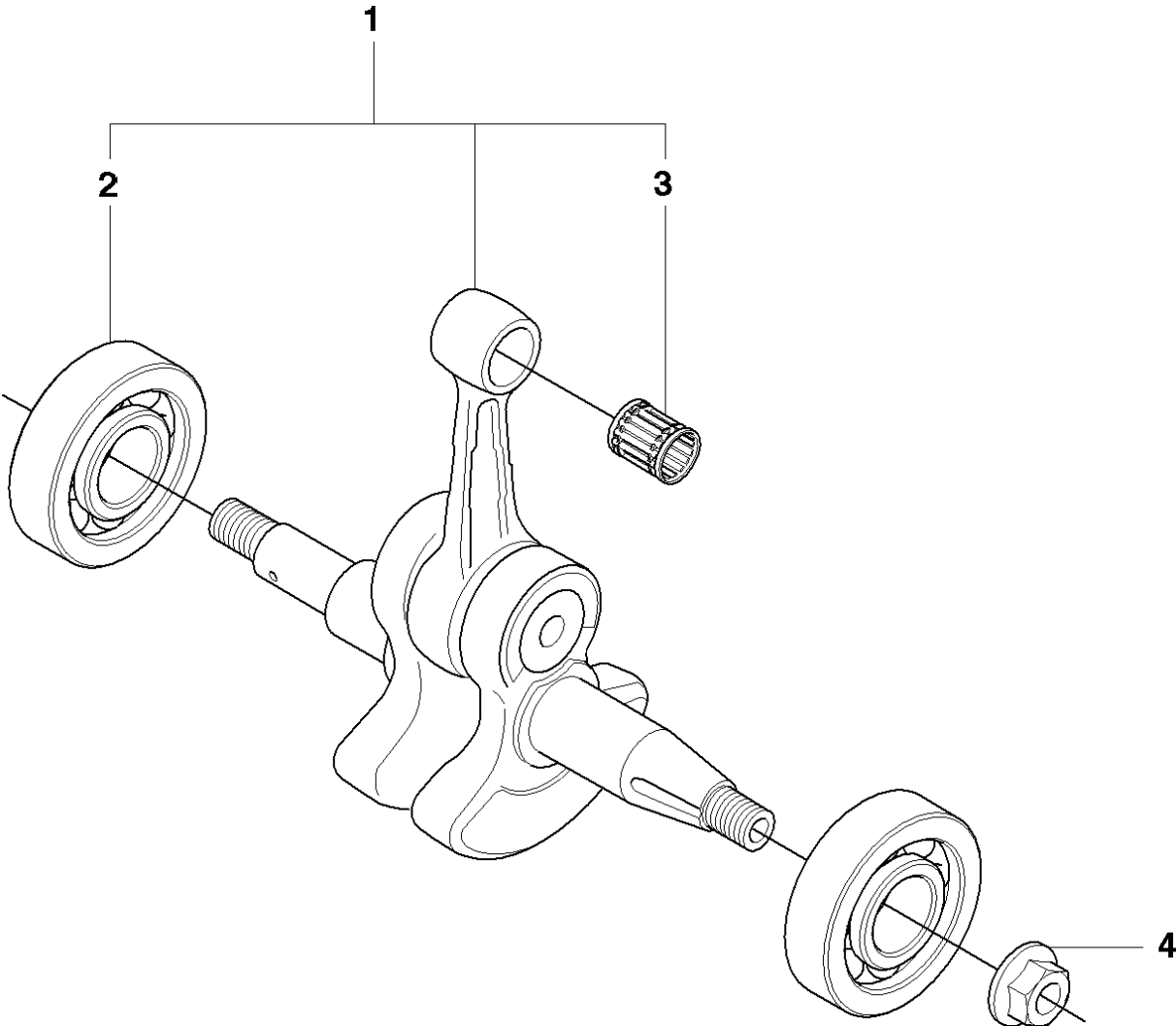
Ref	Part No	Description	Remark	QTY	KIT
1	501 51 25-01	OIL PUMP ASSY		1	
2	503 26 02-04	SEALING RING		1	1
3	501 51 36-01	ADJUSTING SCREW		1	1
4	720 12 37-50	PARALLEL PIN		1	1
5	503 23 10-01	WASHER		1	1
6	503 23 00-16	WASHER		1	1
7	501 51 34-01	SPRING		1	1
8	501 51 33-01	STOP SCREW		1	1
9	501 51 32-01	SHAFT		1	1
10	501 51 31-01	GEAR WHEEL		1	1
11	501 51 37-01	FIXING WASHER		1	1
12	501 51 39-01	SPRING		1	1
13	734 48 48-01	WASHER		1	1
14	735 31 07-20	E-CLIP		1	1
15	740 42 21-00	O-RING		1	1
16	501 28 85-01	X-RING 2.9X6.46X1.78		1	1
17	721 42 03-25	PINNE FRP-LS3X6 OXSV		1	1
18	725 52 93-56	SCREW IHSCM		3	
19	501 51 99-01	OIL HOSE		1	
20	501 54 41-02	OIL SCREEN		1	
21	503 74 44-02	CLUTCH ASSY		1	
22	537 36 06-01	CLUTCH SPRING		3	21
23	501 83 15-03	CLUTCH DRUM		1	
23	501 83 15-04	CLUTCH DRUM		1	
24	505 30 36-61	RIM		1	
24	501 59 80-02	RIM		1	
25	503 25 34-01	NEEDLE BEARING		1	23
26	501 83 17-01	GUIDE WASHER		1	23
27	501 53 59-01	WASHER		1	23
28	501 51 38-01	GEAR WHEEL			
29	503 23 00-13	WASHER			

K 268, 272
CRANKCASE



Ref	Part No	Description	Remark	QTY	KIT
1	501 77 99-01	CRANKCASE ASSY		1	
2	503 44 57-01	SPIKE		1	
3	503 59 08-01	INDRE BARKSTØD		1	
4	501 52 81-01	SPIKE		1	
5	725 53 37-55	SCREW IHSCM		4	
6	725 53 31-55	SCREW IHSCM		1	
7	503 69 76-01	GROMMET		1	
8	501 52 79-02	CHOKE CONTROL		1	
9	725 52 93-56	SCREW IHSCM		1	
10	503 23 00-01	WASHER		1	
11	503 44 64-01	BASE		1	
12	501 52 78-01	GROMMET		1	
13	501 81 57-01	BAR BOLT		2	1
14	503 66 84-03	TANK VENT ASSY		1	
15	720 13 07-10	PARALLEL PIN		2	1
16	501 53 71-01	CHAIN TENSIONER KIT		1	
17	503 53 58-01	CHAIN CATCHER		1	
18	725 53 27-55	SCREW IHSCM		1	
19	503 23 00-42	WASHER		1	
20	501 51 72-01	CHAIN GUIDE		1	
21	725 53 41-55	SCREW IHSCM		2	
22	501 81 48-01	PROTECTIVE PLATE		1	
23	503 27 90-04	PLUG		1	
24	503 44 50-01	BELLOWS		1	
25	503 21 28-06	SCREW CCRPANT		1	
26	503 71 79-01	STOP SWITCH		1	
27	501 77 99-01	CRANKCASE ASSY		1	
28	725 53 27-55	SCREW IHSCM		6	
29	503 26 02-04	SEALING RING		1	
30	501 62 66-02	TANK		1	
31	503 57 89-01	HOLDER		1	30
32	501 62 68-01	GASKET		1	30
33	501 52 26-04	GASKET KIT		1	

J 268, 272
CRANKSHAFT

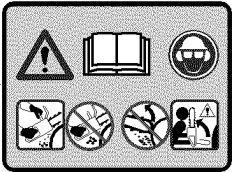
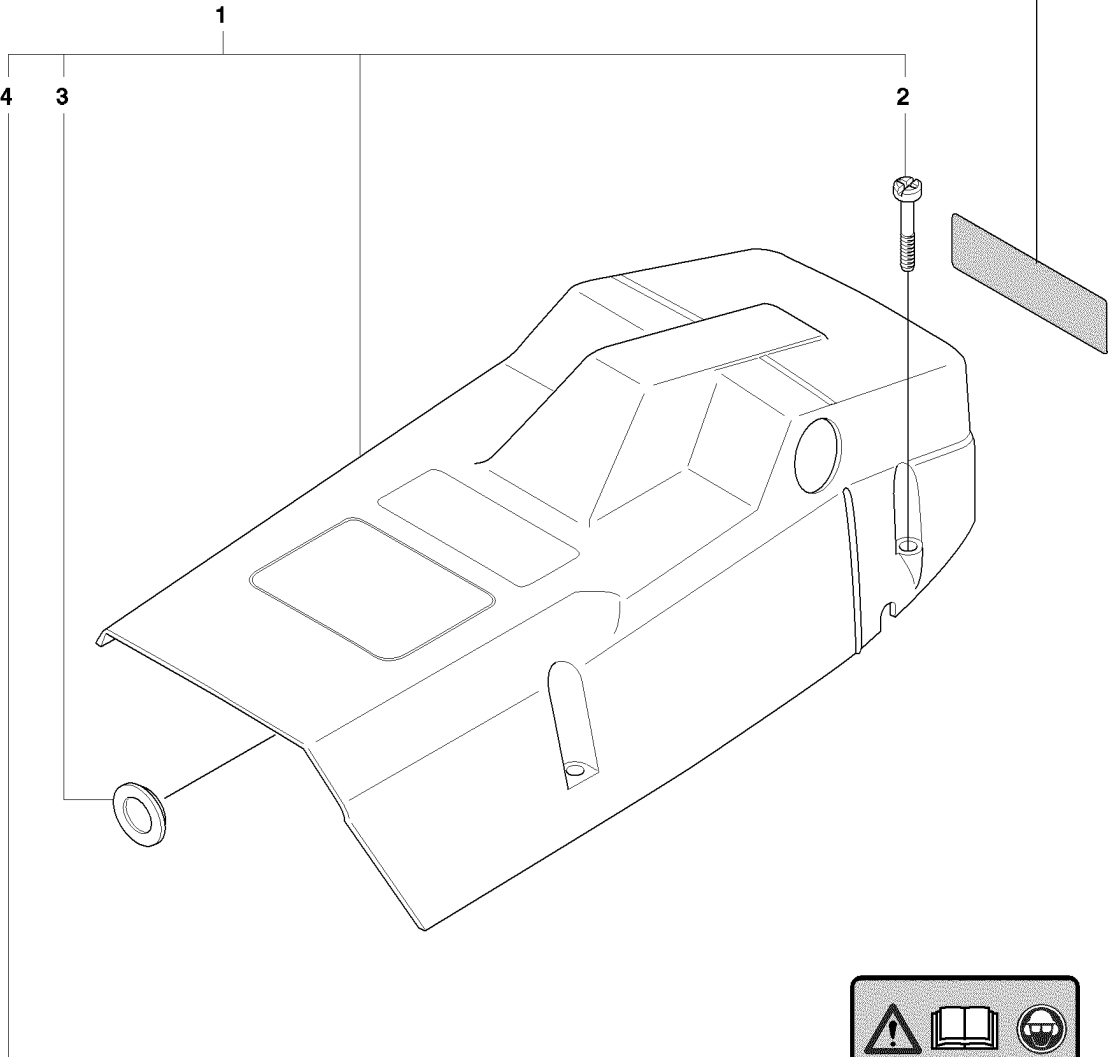
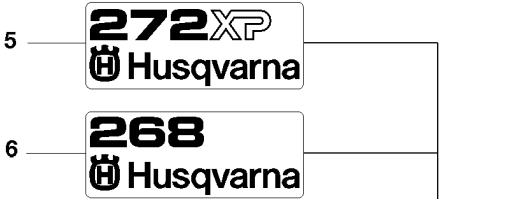


CRANKSHAFT

268, 2009-04

Ref	Part No	Description	Remark	QTY	KIT
1	503 61 33-71	CRANKSHAFT ASSY		1	
2	738 22 02-25	BALL BEARING		2	1
3	503 73 39-01	BEARING		1	1
4	503 22 04-01	NUT		1	

C 268, 272
COVER

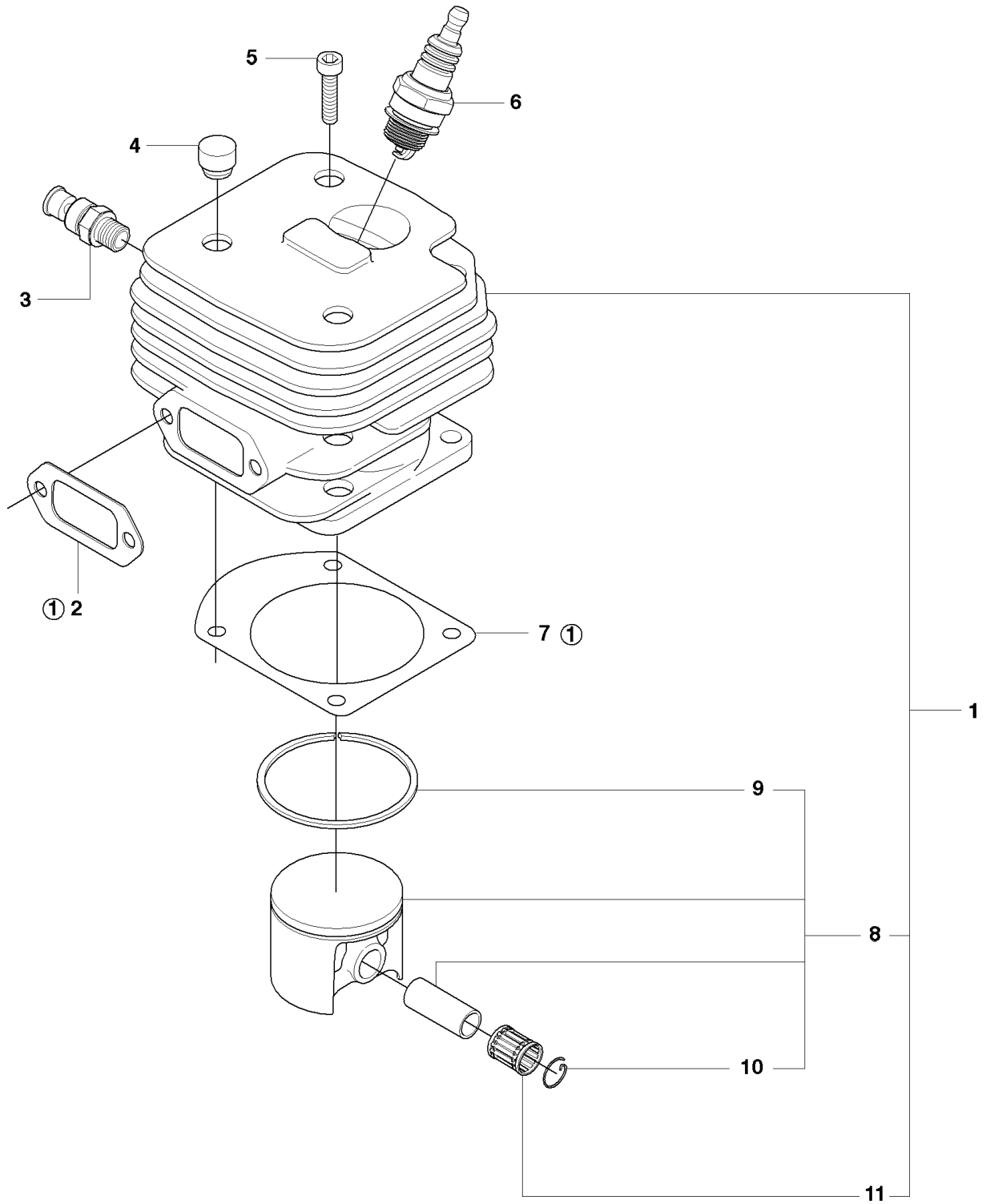


CYLINDER COVER

268, 2009-04

Ref	Part No	Description	Remark	QTY KIT	
1	503 40 60-02	CYLINDER COVER ASSY		1	
2	503 20 32-28	SCREW CCRPANMO		4	1
3	503 40 59-01	WINTER PLUG		1	1
4	503 98 74-01	LABEL		1	1
5	503 66 28-11	DECAL		1	
6	503 66 28-10	DECAL		1	

H 268, 272
CYLINDER PISTON

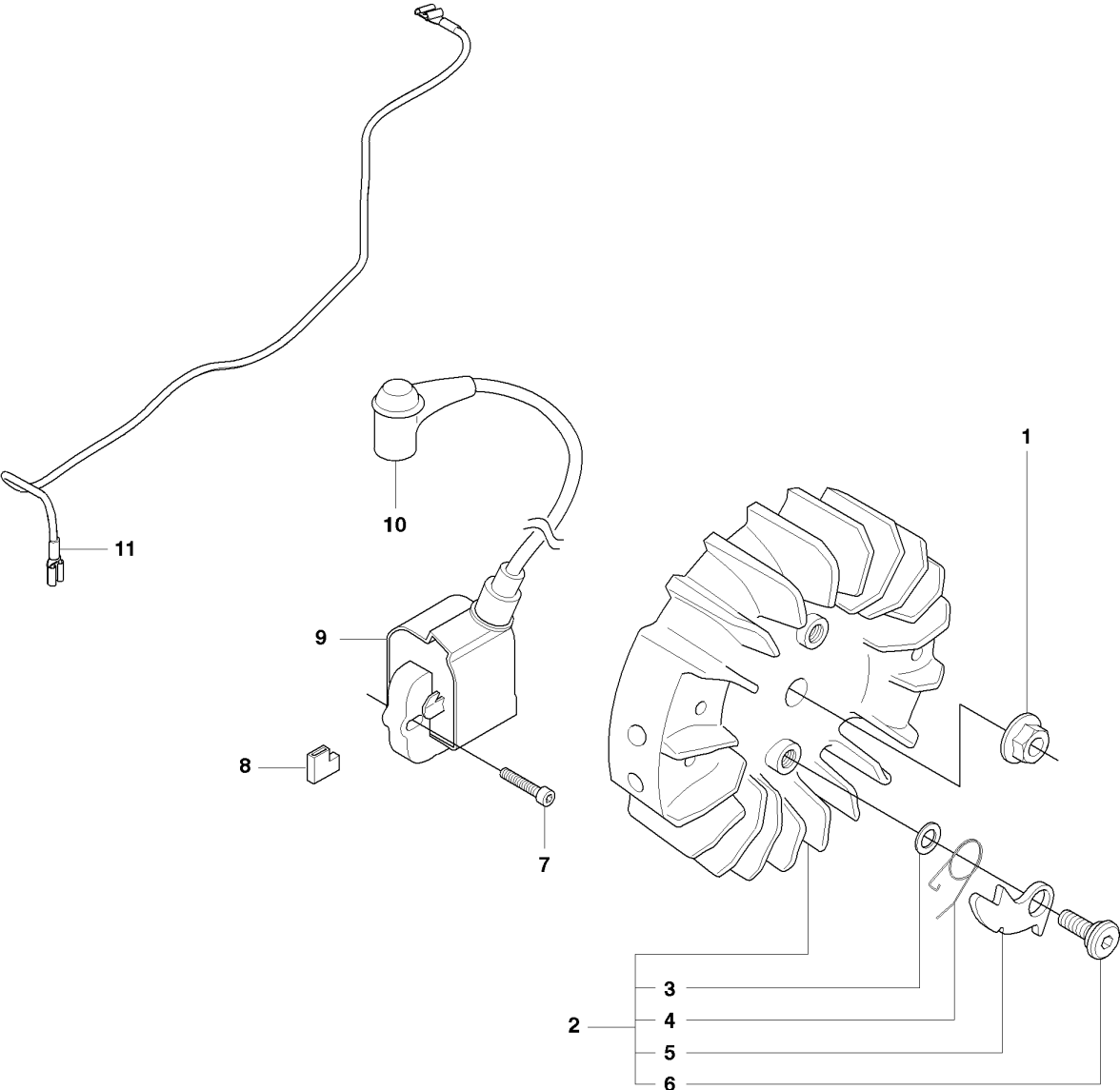


CYLINDER PISTON

268, 2009-04

Ref	Part No	Description	Remark	QTY	KIT
1	544 22 29-02	CYLINDER ASSY		1	
1	504 01 68-02	CYLINDER ASSY		1	
2	503 40 54-01	GASKET		1	
3	503 71 53-01	DECOMPRESSION VALVE		1	
4	501 51 54-01	SUPPORT		1	
5	503 21 60-25	SCREW		4	
6	503 23 51-08	SPARK PLUG		1	
7	501 51 22-04	GASKET		1	
8	544 22 39-03	PISTON ASSY		1	1
8	504 01 70-02	PISTON ASSY		1	1
9	503 28 90-17	PISTON RING		1	8, 1
9	503 28 90-19	PISTON RING		1	8, 1
10	737 43 12-00	SNAP RING		2	8, 1
11	503 73 39-01	BEARING		1	1

E 268, 272
ELECTRICAL

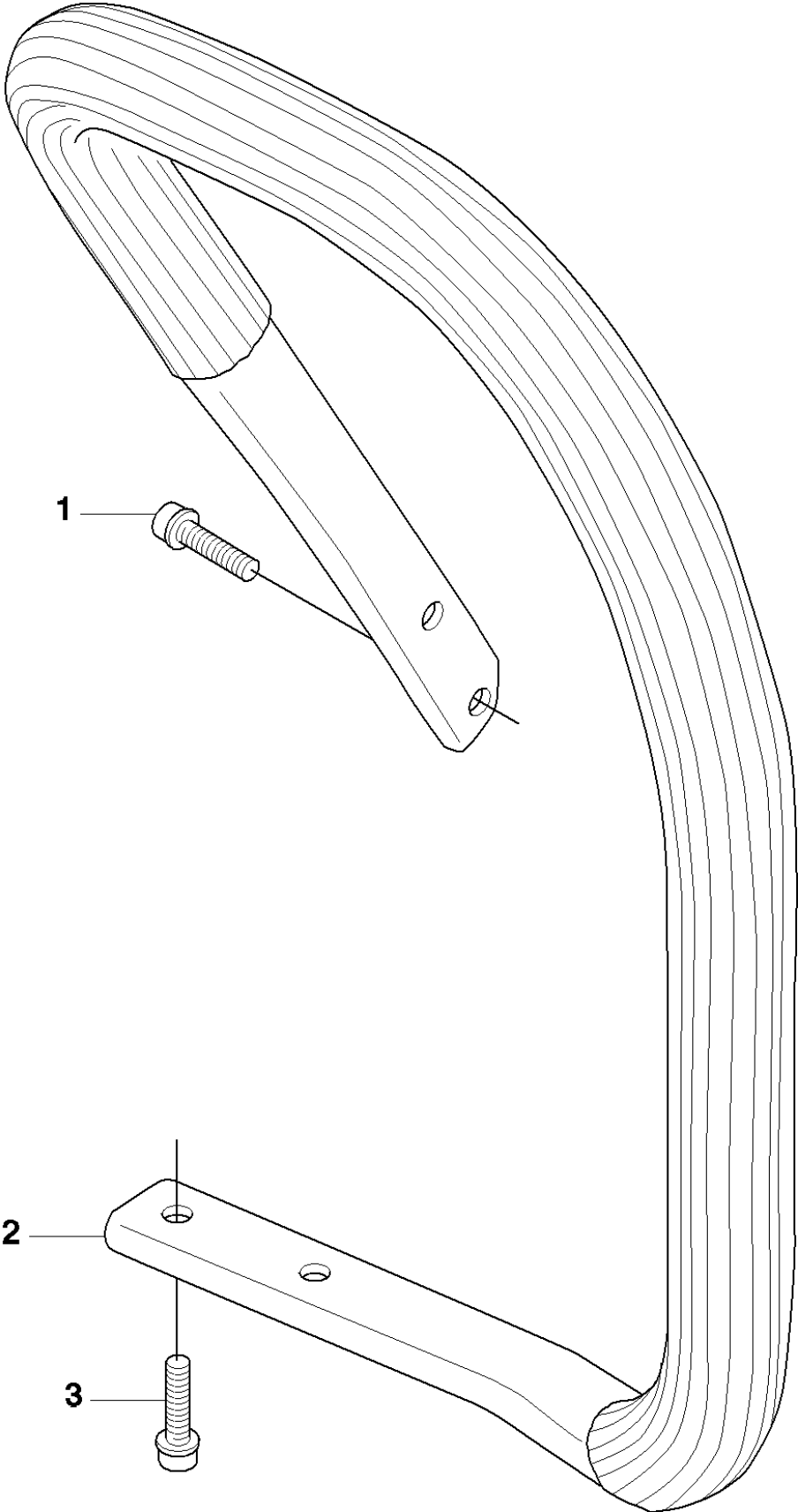


ELECTRICAL

268, 2009-04

Ref	Part No	Description	Remark	QTY	KIT
1	503 22 04-01	NUT		1	
2	537 05 16-02	FLYWHEEL ASSY		1	
3	501 67 35-01	SPRING		2	2
4	503 23 00-42	WASHER		2	2
5	501 67 32-01	PAWL		2	2
6	501 81 99-01	SCREW		2	2
7	503 20 25-20	SCREW IHSCM		2	
8	503 23 72-02	INSULATING CAP		1	
9	544 01 84-01	IGNITION SYSTEM		1	
10	501 48 54-02	SPARK PLUG CAP		1	
11	501 83 98-01	CABLE		1	

M 268, 272
HANDLE

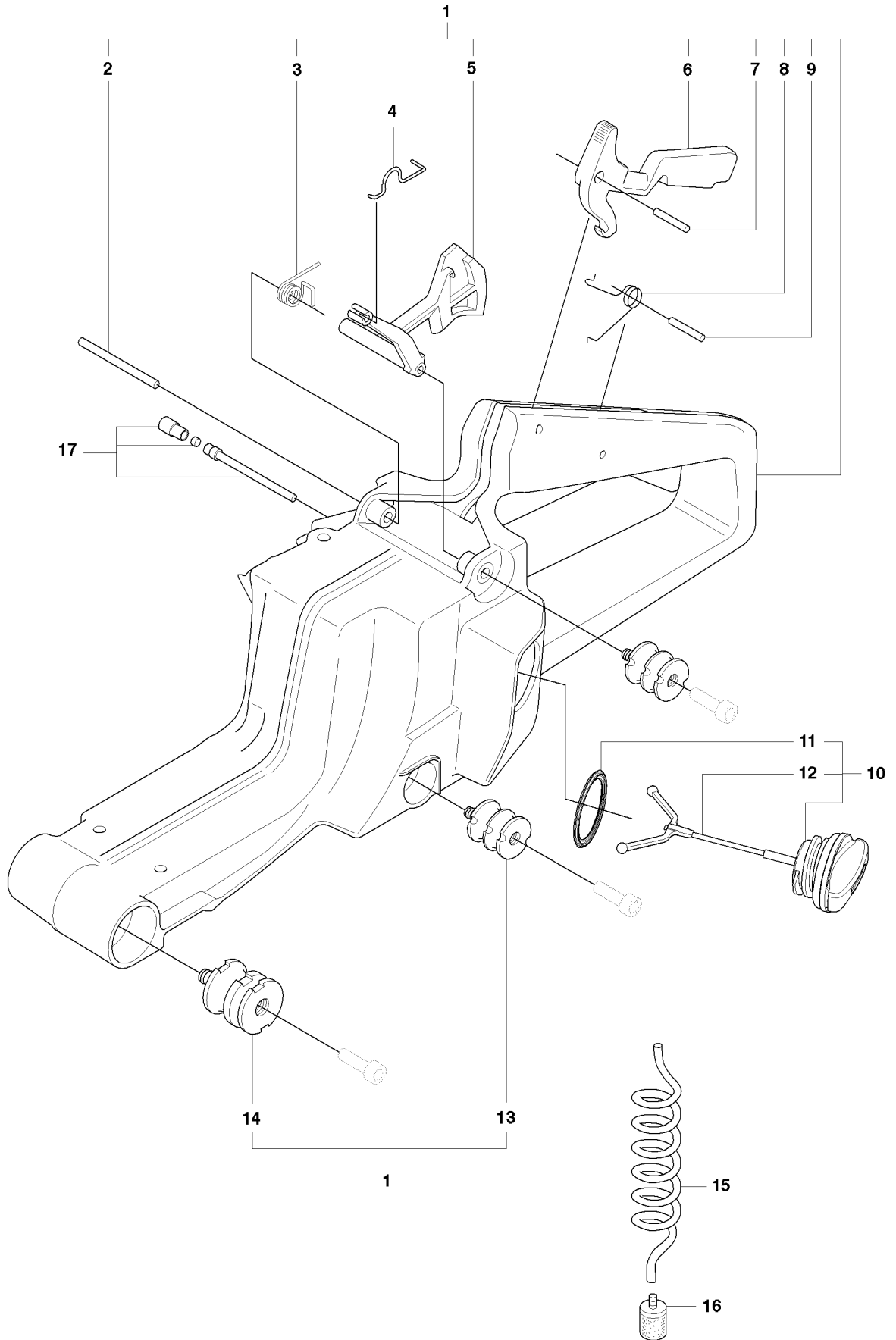


HANDLE

268, 2009-04

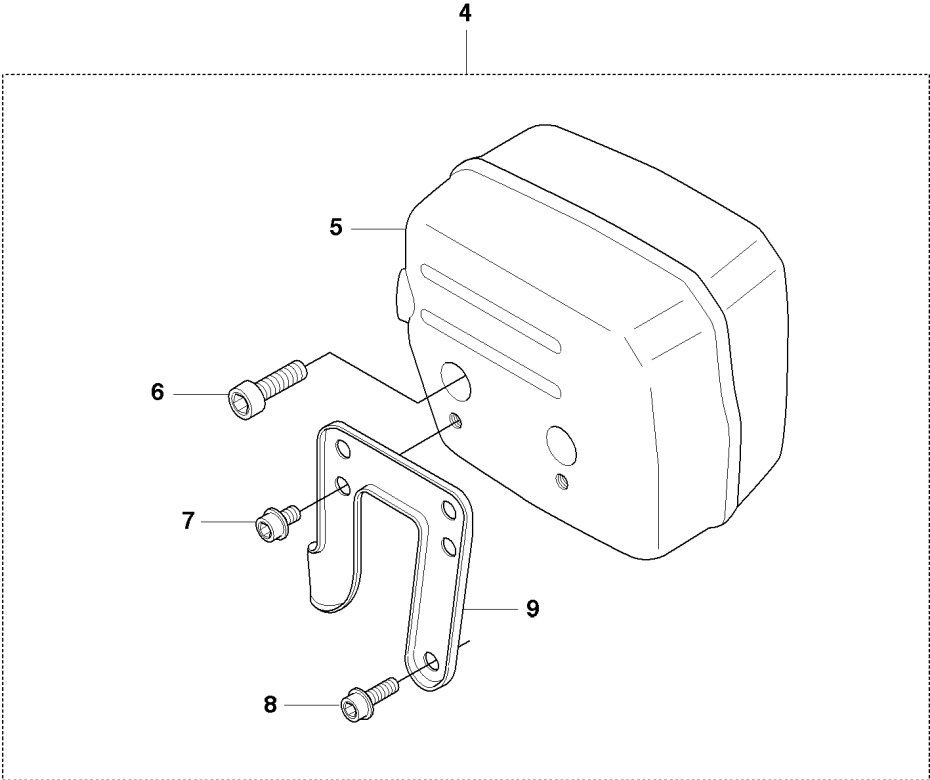
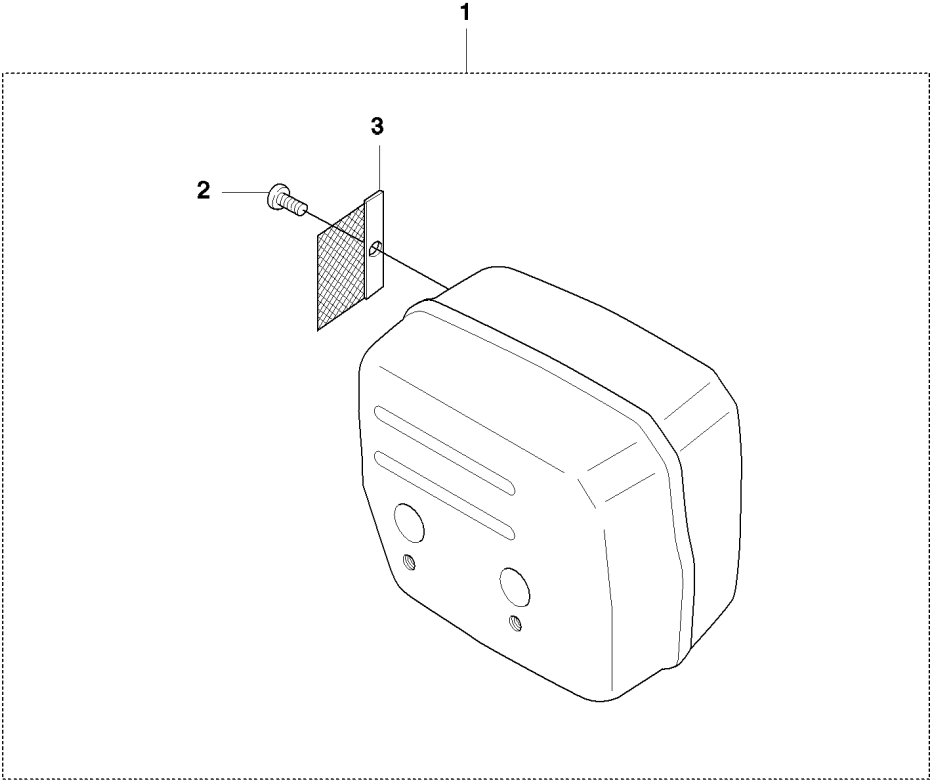
Ref	Part No	Description	Remark	QTY KIT
1	503 21 06-22	SCREW IHSCT		2
2	501 53 45-03	FRONT HANDLE ASSY		1
3	503 21 06-22	SCREW IHSCT		2

L 268, 272
HANDLE & CONTROLS



Ref	Part No	Description	Remark	QTY	KIT
1	501 69 90-10	FUEL TANK ASSY		1	
2	501 51 97-02	ROD		1	1
3	501 52 88-01	RECOIL SPRING		1	1
4	503 44 58-01	THROTTLE WIRE		1	
5	501 51 80-02	THROTTLE LEVER		1	1
6	501 51 81-02	THROTTLE LOCKOUT		1	1
7	721 42 12-26	SPRING PIN		1	1
8	501 42 41-01	SPRING		1	1
9	721 42 12-26	SPRING PIN		1	1
10	501 43 14-02	TANK CAP ASSY		1	
11	501 27 82-01	GASKET		1	
12	503 57 89-01	HOLDER		1	
13	501 77 34-01	ANTIVIBRATION ELEMENT		4	1
13	501 62 87-01	ANTIVIBRATION ELEMENT		4	
14	501 77 35-01	ANTIVIBRATION ELEMENT		2	1
14	501 69 94-01	ANTIVIBRATION ELEMENT		2	
15	544 32 50-01	FUEL HOSE		1	
16	503 44 32-01	FILTER		1	
17	501 62 96-01	TANK VENT		1	

F 268, 272
MUFFLER

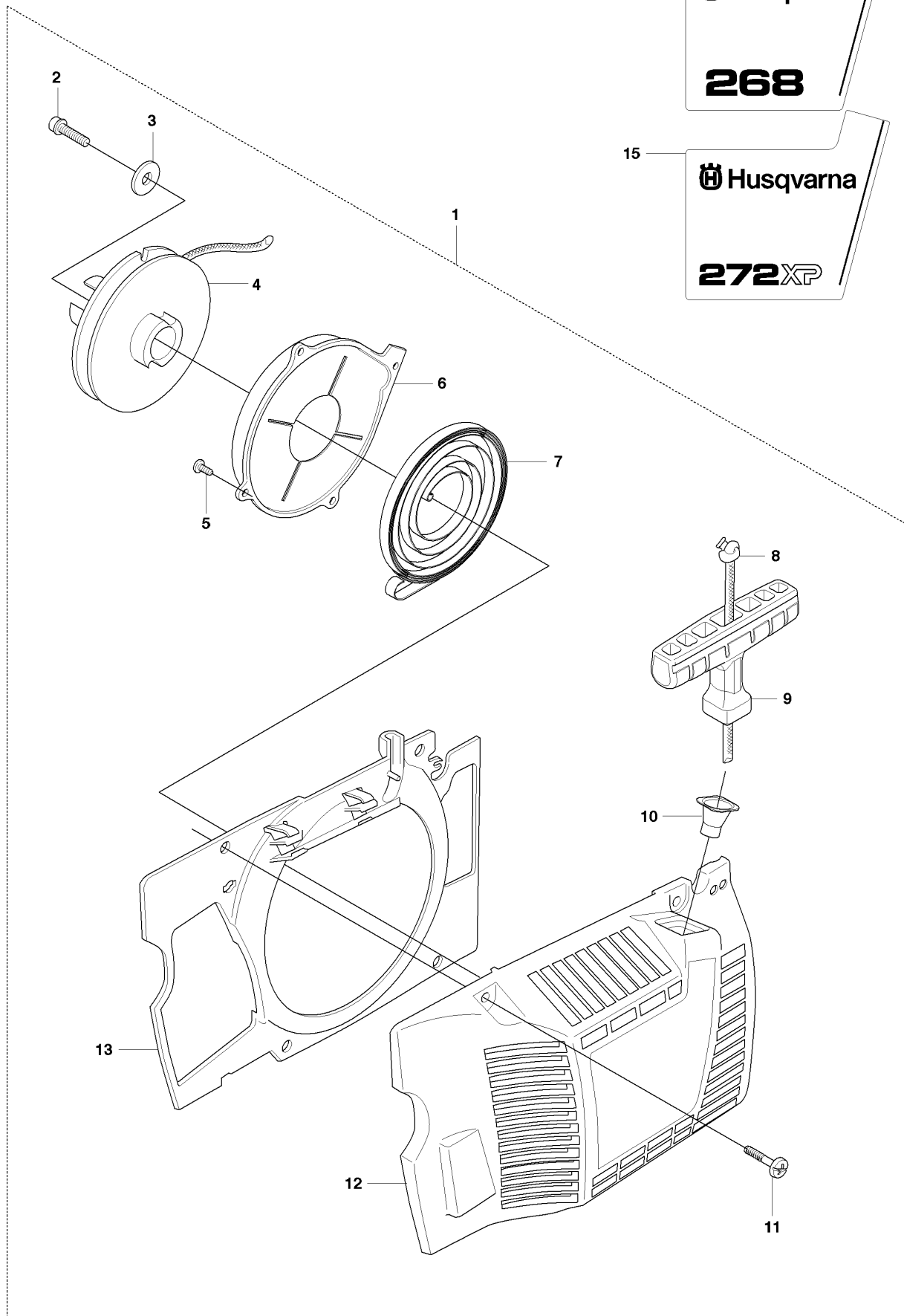


MUFFLER

268, 2009-04

Ref	Part No	Description	Remark	QTY	KIT
1	503 59 92-06	MUFFLER ASSY		1	
1	503 59 92-05	MUFFLER ASSY		1	
2	724 12 87-59	SCREW CRPANM		1	1
3	503 66 91-01	SPARK ARRESTER SCREEN		1	1
4	503 40 64-02	MUFFLER PIPE		1	
5	503 47 69-01	MUFFLER ASSY		1	4
6	725 53 70-55	SCREW IHSCM		2	4
7	503 20 07-10	SCREW IHSCFM		2	4
8	503 20 02-16	SCREW IHSCFM		1	4
9	503 53 59-01	DOUBLE SUPPORT		1	4

D 268, 272
STARTER



STARTER

268, 2009-04

Ref	Part No	Description	Remark	QTY	KIT
1	503 61 55-71	STARTER ASSY		1	
2	503 21 49-16	SCREW IHSCFT		1	1
3	503 23 43-02	WASHER		1	1
4	503 10 24-05	STARTER PULLEY		1	1
5	503 21 28-06	SCREW CCRPANT		2	1
6	501 52 95-02	GUARD RING		1	1
7	501 52 04-02	RECOIL SPRING		1	1
8	501 20 15-02	STARTER CORD		1	1
9	503 54 39-01	STARTER HANDLE		1	1
10	501 63 06-01	SLEEVE		1	1
11	503 20 34-16	SCREW CCRPANMO		4	1
12	503 61 56-01	STARTER HOUSING		1	1
13	501 65 92-01	AIR CONDUCTOR		1	1
14	503 62 39-02	LABEL		1	
15	503 62 39-04	LABEL		1	