

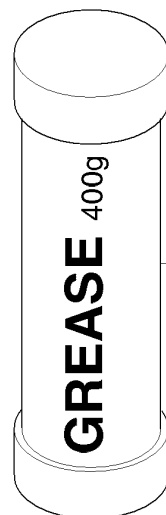
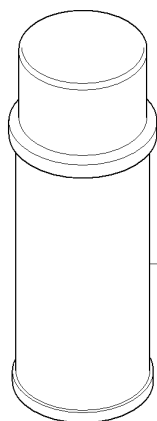
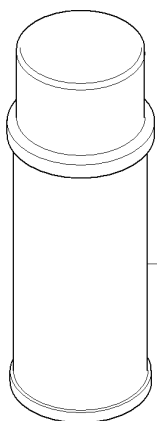
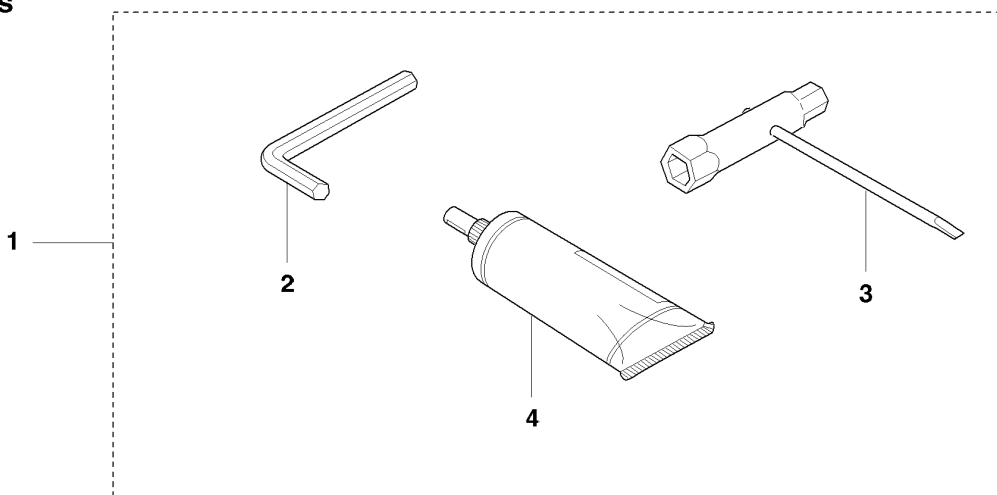


# SPARE PARTS LIST

HEDGE TRIMMERS/POLE HEDGE  
TRIMMERS

325 HD60 X-SERIES from 2009-02 -

**N** Accessories  
Zubehöre  
Accessoires  
Acessorios  
Tillbehör



5

6

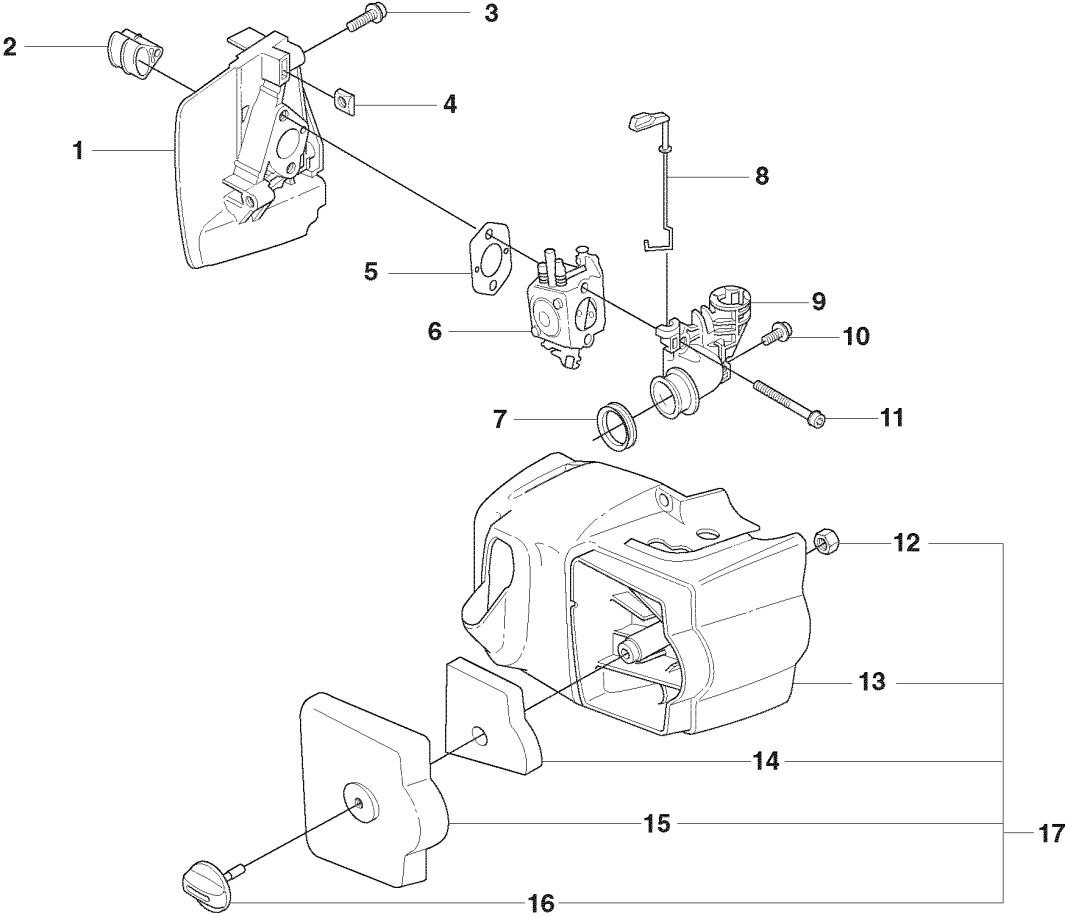
7

## ACCESSORIES

325 HD60 X-SERIES from 2009-02 -

| Ref | Part No      | Description        | Remark      | QTY KIT |
|-----|--------------|--------------------|-------------|---------|
| 1   | 502 21 60-09 | ACCESSORY BAG      |             | 1       |
| 2   | 503 55 86-01 | SPANNER            |             | 1       |
| 3   | 501 69 17-01 | COMBINATION WRENCH |             | 1       |
| 4   | 503 98 96-02 | GREASE             |             | 1       |
| 5   | 531 00 75-13 | GREASE             | UL22        | 1       |
| 6   | 531 00 75-12 | GREASE             | UL21        | 1       |
| 7   | 531 00 92-05 | GREASE             | Grease 400g | 1       |

C



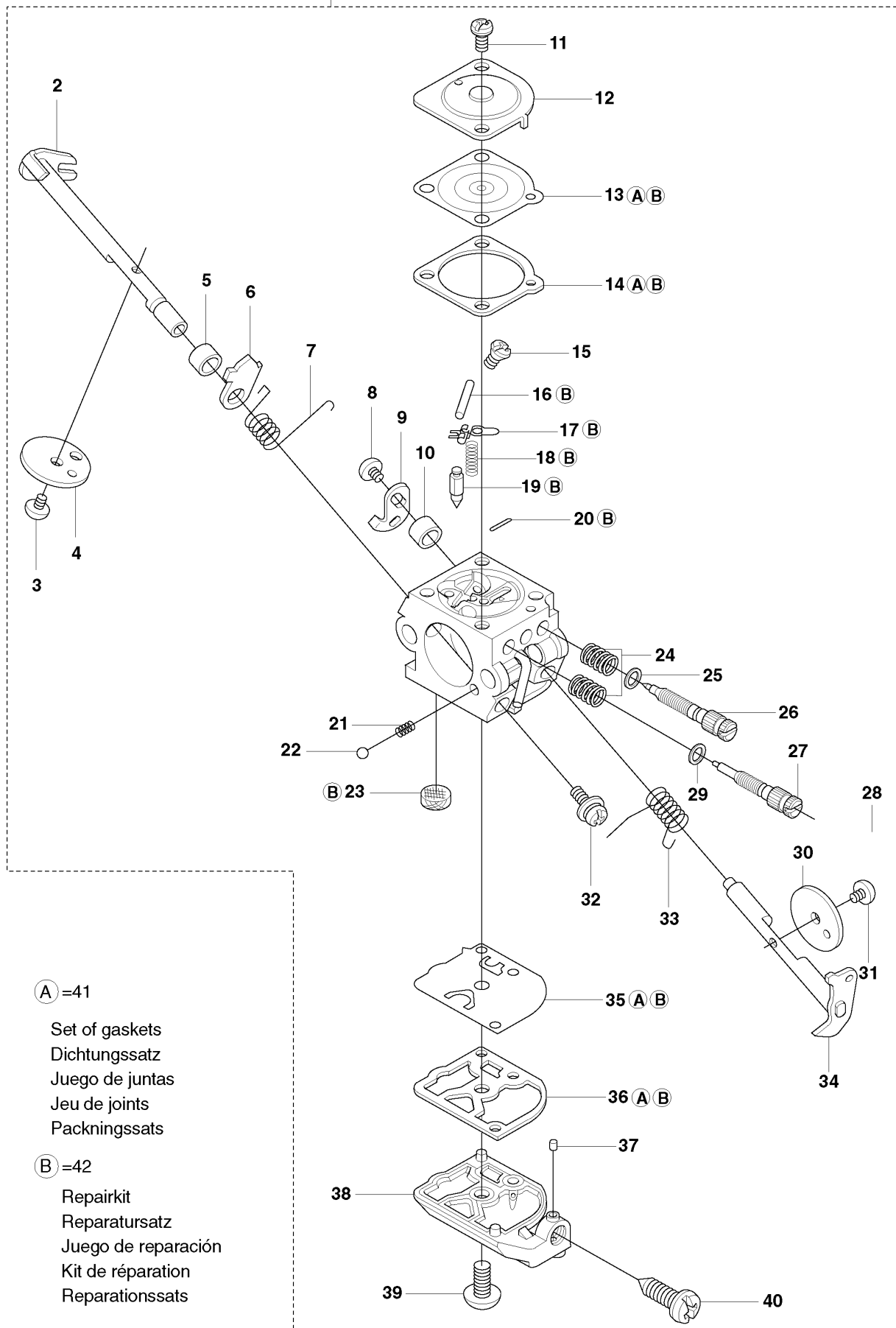
## CARBURETOR &amp; AIR FILTER

325 HD60 X-SERIES from 2009-02 -

| Ref | Part No      | Description         | Remark | QTY KIT |
|-----|--------------|---------------------|--------|---------|
| 1   | 503 91 09-01 | INSULATION WALL     |        | 1       |
| 2   | 503 94 26-01 | INLET PIPE          |        | 1       |
| 3   | 503 20 14-25 | SCREW IHSCFMO       |        | 2       |
| 4   | 503 22 65-04 | SQUARE NUT          |        | 2       |
| 5   | 503 49 71-01 | GASKET              |        | 1       |
| 6   | 503 28 34-03 | CARBURETTOR         |        | 1       |
| 7   | 740 68 11-21 | V-RING              |        | 1       |
| 8   | 537 02 33-01 | CHOKE CONTROL       |        | 1       |
| 9   | 537 05 78-01 | BRACKET             |        | 1       |
| 10  | 503 21 77-16 | SCREW IHSC T        |        | 1       |
| 11  | 503 21 75-50 | SCREW IHSCFT        |        | 2       |
| 12  | 731 23 14-01 | HEXAGON NUT         |        | 1       |
| 13  | 537 06 24-06 | CYLINDER COVER      |        | 1       |
| 14  | 537 25 53-01 | AIR FILTER          |        | 1       |
| 15  | 537 06 63-01 | FILTER COVER        |        | 1       |
| 16  | 537 21 32-10 | KNOB                |        | 1       |
| 17  | 537 41 19-05 | CYLINDER COVER ASSY |        | 1       |

**M**

**ZAMA C1Q - EL 26**



(A) =41

Set of gaskets  
 Dichtungssatz  
 Juego de juntas  
 Jeu de joints  
 Packningssats

(B) =42

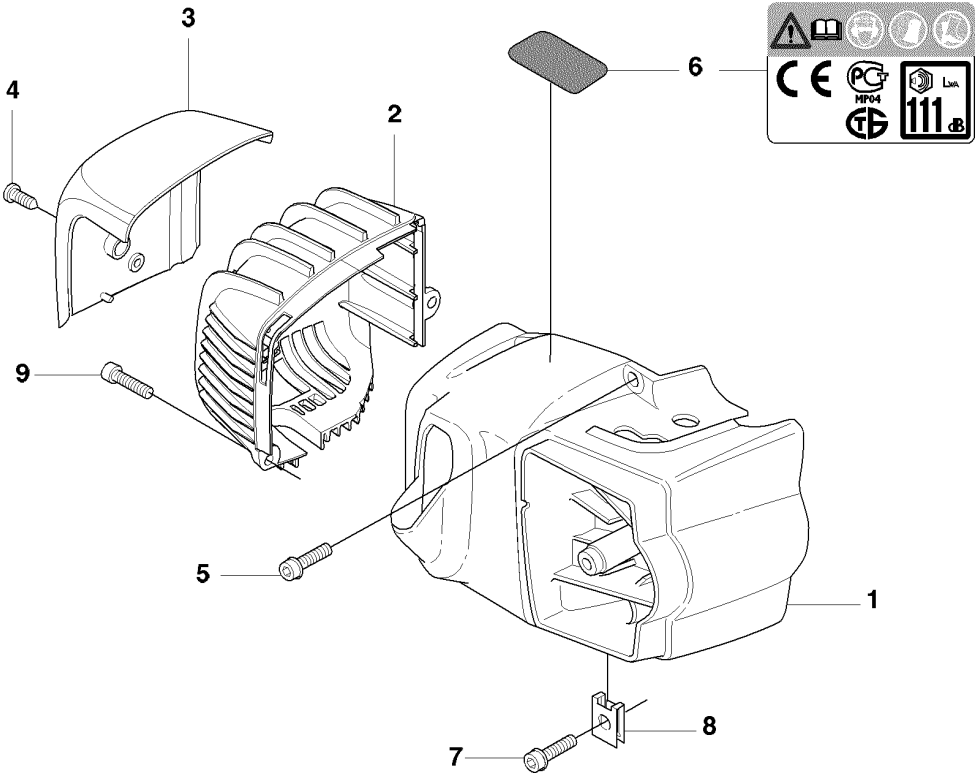
Repairkit  
 Reparatursatz  
 Juego de reparación  
 Kit de réparation  
 Reparationssats

## CARBURETOR DETAILS

325 HD60 X-SERIES from 2009-02 -

| Ref | Part No      | Description         | Remark | QTY KIT |
|-----|--------------|---------------------|--------|---------|
| 1   | 503 28 34-03 | CARBURETTOR         |        | 1       |
| 2   | 537 02 09-01 | SHAFT ASSY          |        | 1       |
| 3   | 503 48 18-01 | SCREW               |        | 1       |
| 4   | 537 02 11-01 | VALVE               |        | 1       |
| 5   | 503 48 19-01 | COLLAR              |        | 1       |
| 6   | 537 14 34-01 | LEVER               |        | 1       |
| 7   | 537 02 10-01 | SPRING              |        | 1       |
| 8   | 503 47 90-01 | SCREW               |        | 1       |
| 9   | 537 01 98-01 | LEVER               |        | 1       |
| 10  | 503 47 89-01 | COLLAR              |        | 1       |
| 11  | 503 48 05-01 | SCREW               |        | 2       |
| 12  | 503 97 43-01 | COVER               |        | 1       |
| 13  | 537 04 89-01 | DIAPHRAGM           |        | 1       |
| 14  | 537 02 04-01 | GASKET              |        | 1       |
| 15  | 503 48 01-01 | SCREW               |        | 1       |
| 16  | 503 48 00-01 | PIN RETAINING SCREW |        | 1       |
| 17  | 503 66 59-01 | LEVER               |        | 1       |
| 18  | 537 02 03-01 | SPRING              |        | 1       |
| 19  | 503 47 97-01 | VALVE               |        | 1       |
| 20  | 537 02 08-01 | PLUG                |        | 1       |
| 21  | 537 01 26-01 | SPRING              |        | 1       |
| 22  | 537 01 25-01 | BALL                |        | 1       |
| 23  | 503 53 57-01 | STRAINER            |        | 1       |
| 24  | 503 48 08-01 | SPRING              |        | 1       |
| 25  | 503 97 40-01 | WASHER              |        | 1       |
| 26  | 537 12 78-01 | SCREW               |        | 1       |
| 27  | 537 02 06-01 | SCREW               |        | 1       |
| 28  | 537 14 35-01 | RETAINER            |        | 1       |
| 29  | 503 97 40-01 | WASHER              |        | 1       |
| 30  | 537 01 99-01 | VALVE               |        | 1       |
| 31  | 503 47 92-01 | SCREW               |        | 1       |
| 32  | 503 75 53-01 | SCREW               |        | 1       |
| 33  | 537 01 97-01 | SPRING              |        | 1       |
| 34  | 537 01 96-01 | SHAFT ASSY          |        | 1       |
| 35  | 537 02 00-01 | DIAPHRAGM PUMP      |        | 1       |
| 36  | 537 02 01-01 | GASKET PUMP         |        | 1       |
| 37  | 503 48 11-01 | PIECE               |        | 1       |
| 38  | 537 02 02-01 | COVER               |        | 1       |
| 39  | 503 47 96-01 | SCREW               |        | 1       |
| 40  | 537 02 07-01 | SCREW               |        | 1       |
| 41  | 531 00 45-52 | GASKET KIT          |        | 1       |
| 42  | 531 00 45-53 | SET                 |        | 1       |

**B**



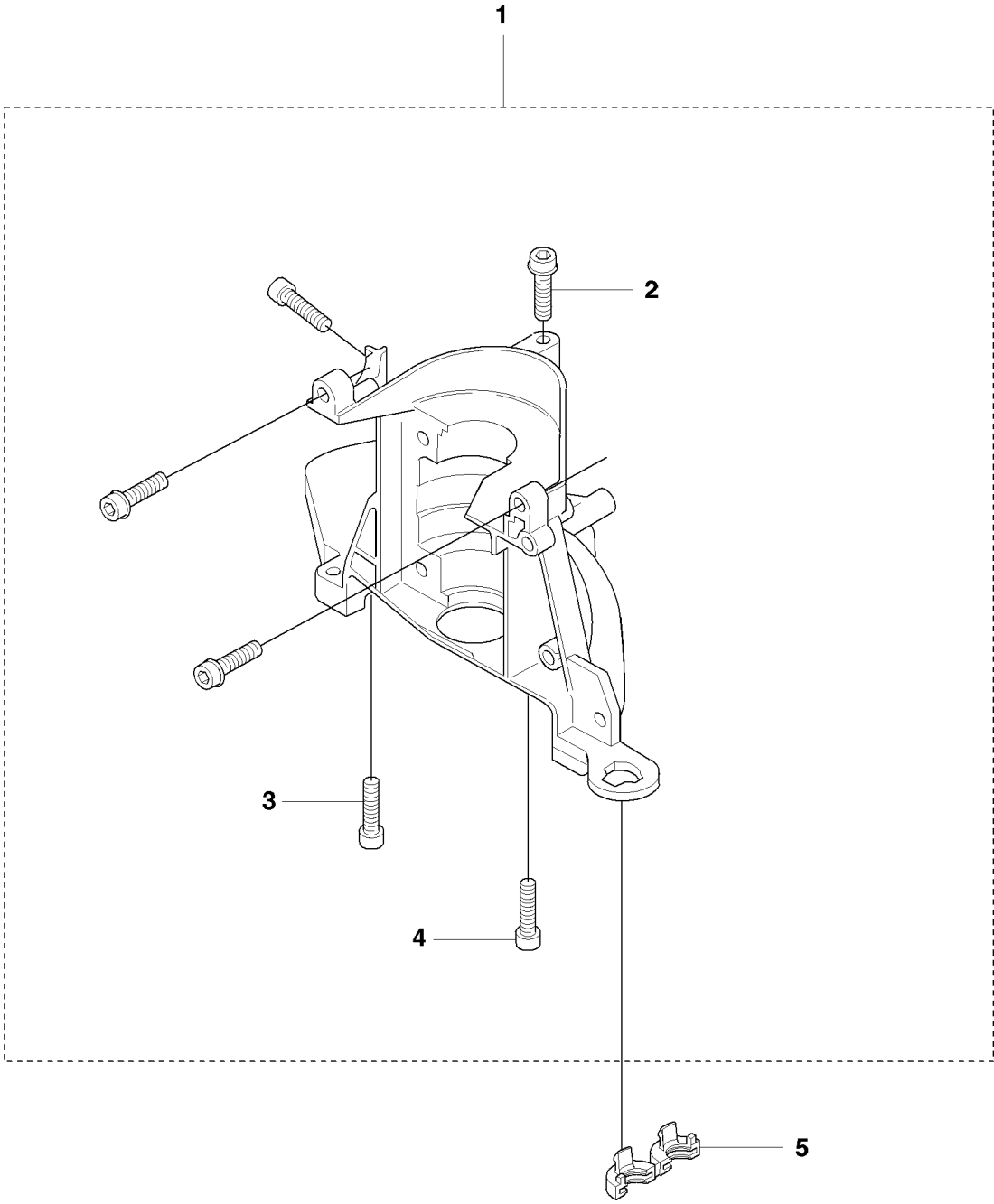


## COVER

325 HD60 X-SERIES from 2009-02 -

| Ref | Part No      | Description    | Remark | QTY KIT |
|-----|--------------|----------------|--------|---------|
| 1   | 537 06 24-07 | CYLINDER COVER |        | 1       |
| 2   | 537 08 05-03 | HEAT PROTECTOR |        | 1       |
| 3   | 537 09 66-01 | HEAT SHIELD    |        | 1       |
| 4   | 503 21 28-10 | SCREW CCRPANT  |        | 3       |
| 5   | 503 20 03-16 | SCREW IHSCFM   |        | 2       |
| 6   | 544 05 76-03 | LABEL          |        | 1       |
| 7   | 503 21 44-16 | SCREW IHSCFTO  |        | 1       |
| 8   | 503 22 72-01 | SPEED NUT      |        | 1       |
| 9   | 503 21 62-20 | SCREW IHSCFT   |        | 2       |

**G**

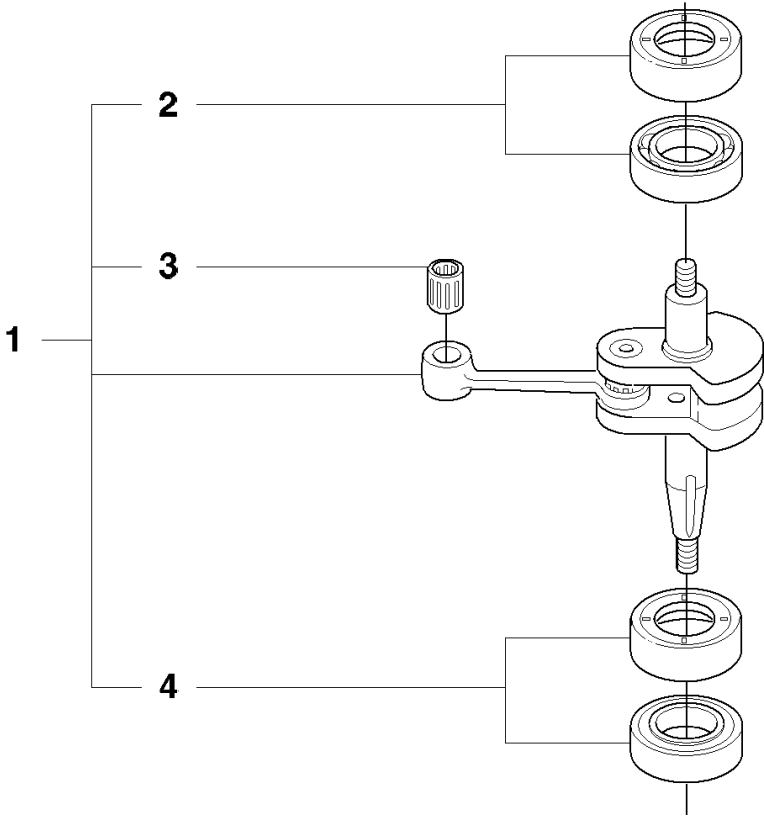


## CRANKCASE

325 HD60 X-SERIES from 2009-02 -

| Ref | Part No      | Description  | Remark | QTY KIT |
|-----|--------------|--------------|--------|---------|
| 1   | 537 04 11-03 | CRANKCASE    |        | 1       |
| 2   | 503 20 03-16 | SCREW IHSCFM |        | 4       |
| 3   | 503 21 66-18 | SCREW IH SCT |        | 2       |
| 4   | 503 20 03-16 | SCREW IHSCFM |        | 4       |
| 5   | 537 10 50-02 | SNAP         |        | 1       |

# H

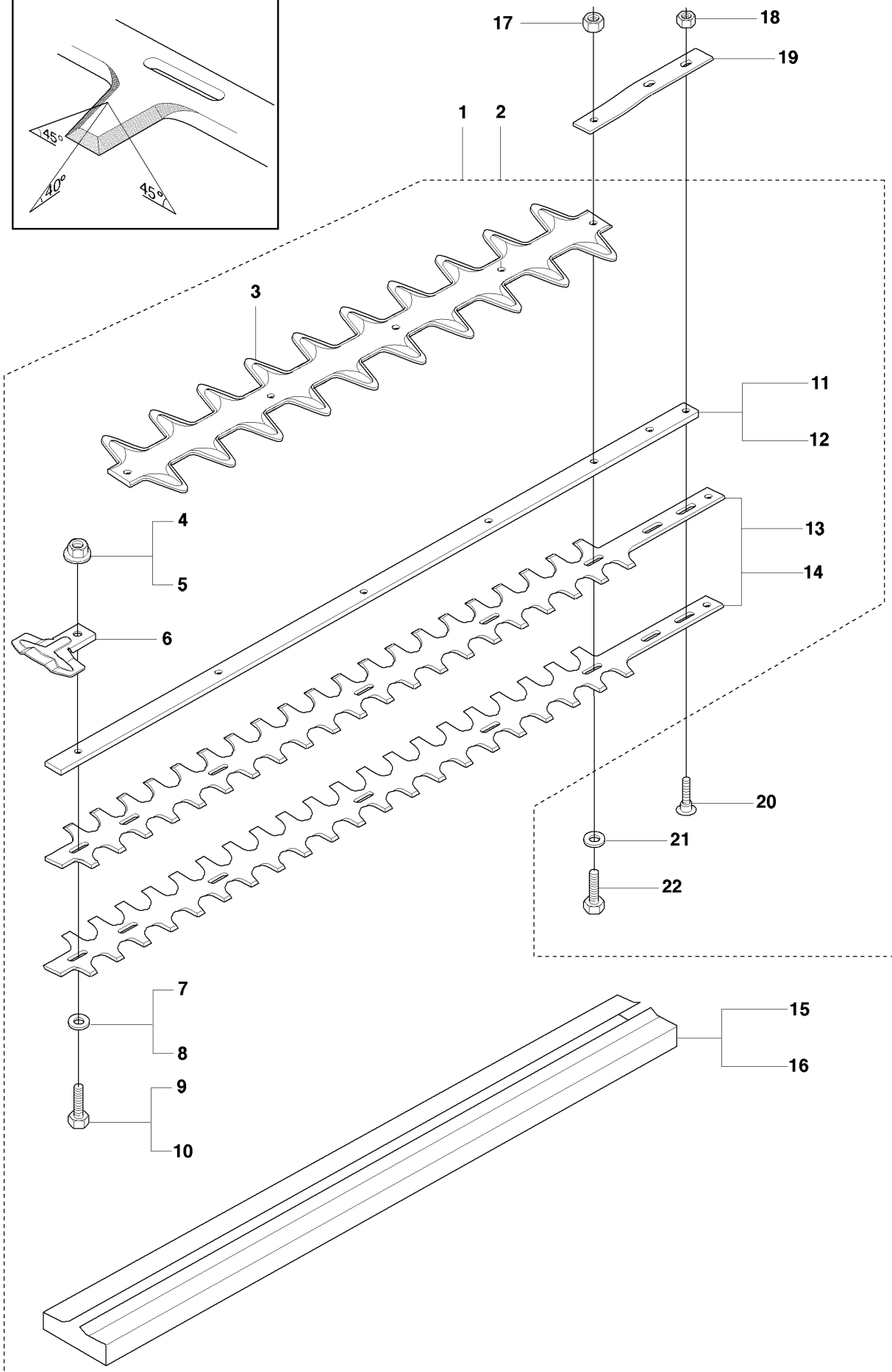
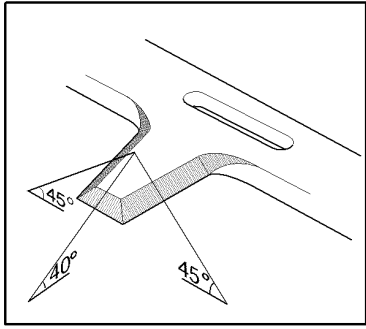


CRANKSHAFT

325 HD60 X-SERIES from 2009-02 -

| Ref | Part No      | Description     | Remark | QTY KIT |
|-----|--------------|-----------------|--------|---------|
| 1   | 537 12 81-05 | CRANKSHAFT ASSY |        | 1       |
| 2   | 503 94 02-03 | BEARING CAGE    |        | 1       |
| 3   | 503 71 22-01 | BEARING         |        | 1       |
| 4   | 537 12 88-02 | BEARING CAGE    |        | 1       |

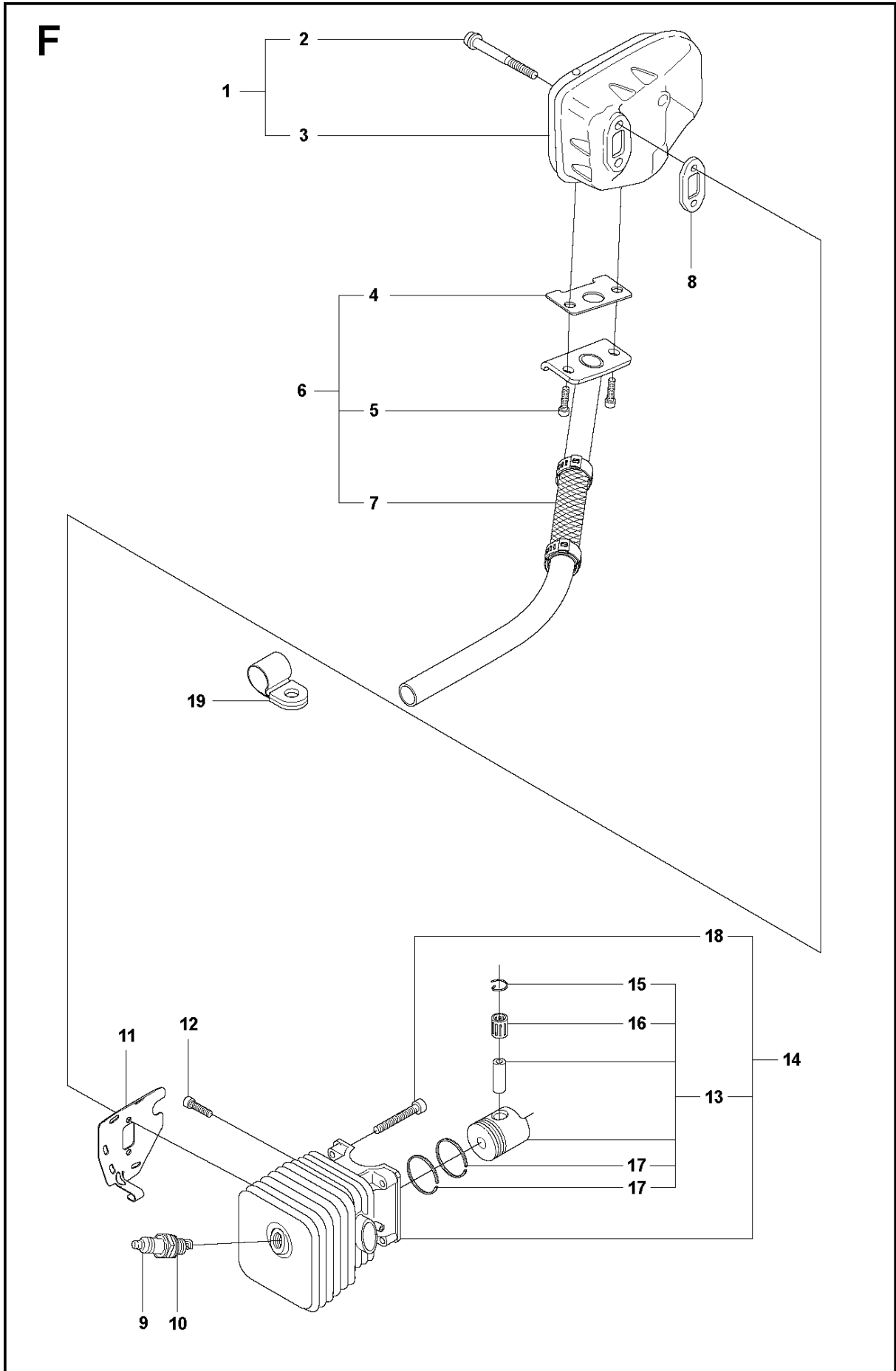
**L**



## CUTTING EQUIPMENT

325 HD60 X-SERIES from 2009-02 -

| Ref | Part No      | Description        | Remark           | QTY KIT |
|-----|--------------|--------------------|------------------|---------|
| 1   | 537 10 56-09 | CUTTING DECK       | 323HD60, 325HD60 | 1       |
| 2   | 537 10 56-10 | CUTTING DECK       | 323HD75          | 1       |
| 3   | 537 10 03-01 | PROTECTIVE PLATE   |                  | 1       |
| 4   | 503 22 00-06 | HEXAGON NUT FLANGE | 323HD75          | 5       |
| 5   | 503 22 00-06 | HEXAGON NUT FLANGE | 323HD60, 325HD60 | 4       |
| 6   | 537 37 20-01 | COVER              |                  | 1       |
| 7   | 503 23 00-24 | WASHER             | 323HD75          | 5       |
| 8   | 503 23 00-24 | WASHER             | 323HD60, 325HD60 | 4       |
| 9   | 503 20 17-22 | SCREW EHHM         | 323HD75          | 5       |
| 10  | 503 20 17-22 | SCREW EHHM         | 323HD60, 325HD60 | 4       |
| 11  | 537 10 70-01 | BEAM               | 323HD75          | 2       |
| 12  | 537 10 70-02 | BEAM               | 323HD60, 325HD60 | 1       |
| 13  | 537 10 01-08 | BLADE              | 323HD75          | 2       |
| 14  | 537 10 01-07 | BLADE              | 323HD60, 325HD60 | 2       |
| 15  | 537 11 08-04 | TRANSPORT GUARD    | 323HD75          | 1       |
| 16  | 537 11 08-05 | TRANSPORT GUARD    |                  | 1       |
| 17  | 731 23 16-01 | HEXAGON NUT        |                  | 1       |
| 18  | 503 22 00-08 | HEXAGON NUT FLANGE |                  | 2       |
| 19  | 537 05 05-01 | BASE PLATE         |                  | 1       |
| 20  | 503 92 28-02 | SCREW              |                  | 2       |
| 21  | 503 23 00-24 | WASHER             |                  | 1       |
| 22  | 725 23 72-71 | SCREW EHHM         |                  | 1       |



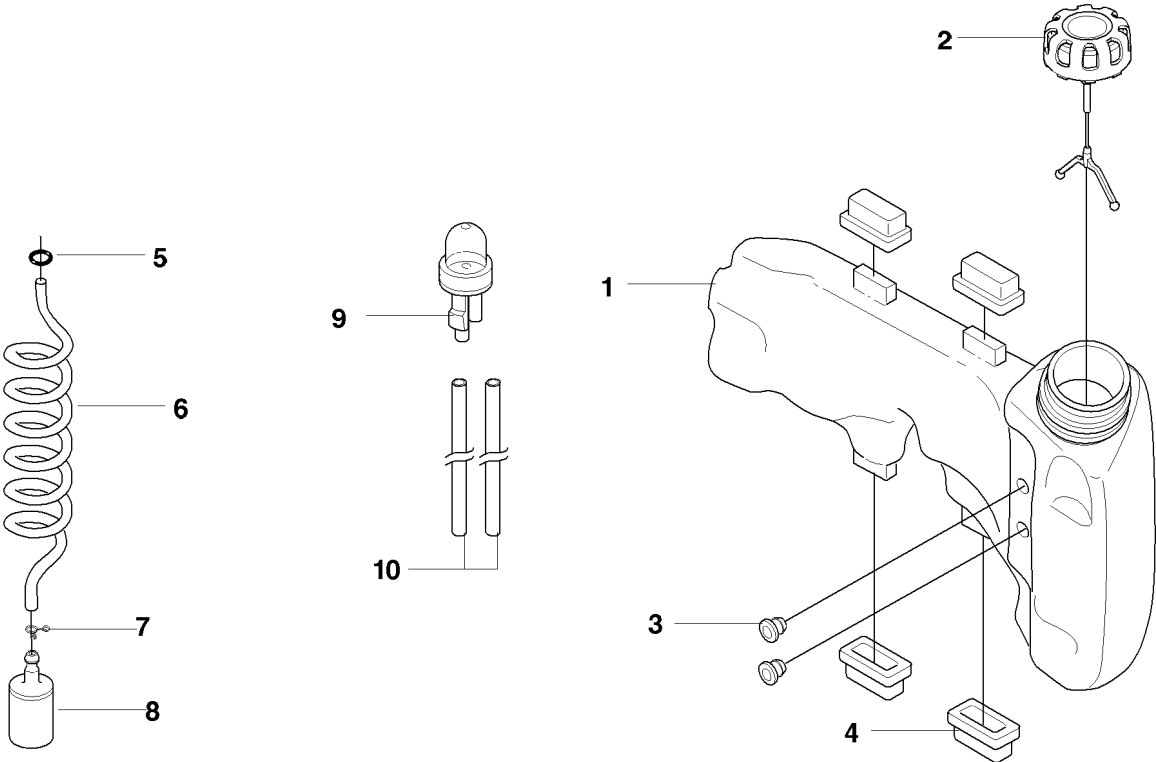


## CYLINDER, PISTON &amp; MUFFLER

325 HD60 X-SERIES from 2009-02 -

| Ref | Part No      | Description       | Remark          | QTY | KIT    |
|-----|--------------|-------------------|-----------------|-----|--------|
| 1   | 544 39 08-01 | MUFFLER KIT       |                 | 1   |        |
| 2   | 503 20 29-63 | SCREW IHSCFM      |                 | 2   | 1      |
| 3   | 544 23 24-01 | MUFFLER ASSY      |                 | 1   | 1      |
| 4   | 544 28 56-01 | GASKET            |                 | 1   | 6      |
| 5   | 503 20 25-08 | SCREW IHSCM       |                 | 2   | 6      |
| 6   | 544 39 09-01 | EXHAUST PIPE      |                 | 1   |        |
| 7   | 505 25 34-01 | EXHAUST PIPE ASSY |                 | 1   | 6      |
| 8   | 537 06 82-01 | SPACER            |                 | 1   |        |
| 9   | 503 23 51-08 | SPARK PLUG        | Champion RCJ 7Y | 1   |        |
| 10  | 503 23 51-11 | SPARK PLUG        | NGK BPMR 7A     | 1   |        |
| 11  | 537 37 09-01 | AIR CONDUCTOR     |                 | 1   |        |
| 12  | 501 81 99-01 | SCREW             |                 | 1   |        |
| 13  | 537 37 65-04 | PISTON            |                 | 1   |        |
| 14  | 537 03 20-08 | CYLINDER          |                 | 2   | 13     |
| 15  | 737 44 08-00 | CIRCLIP           |                 | 2   | 13, 14 |
| 16  | 503 71 22-01 | BEARING           |                 | 1   | 13, 14 |
| 17  | 503 28 90-43 | PISTON RING       |                 | 2   | 13, 14 |
| 18  | 725 53 37-55 | SCREW IHSCM       |                 | 4   | 13     |
| 19  | 544 45 78-01 | LOOP              |                 | 1   |        |

**D**

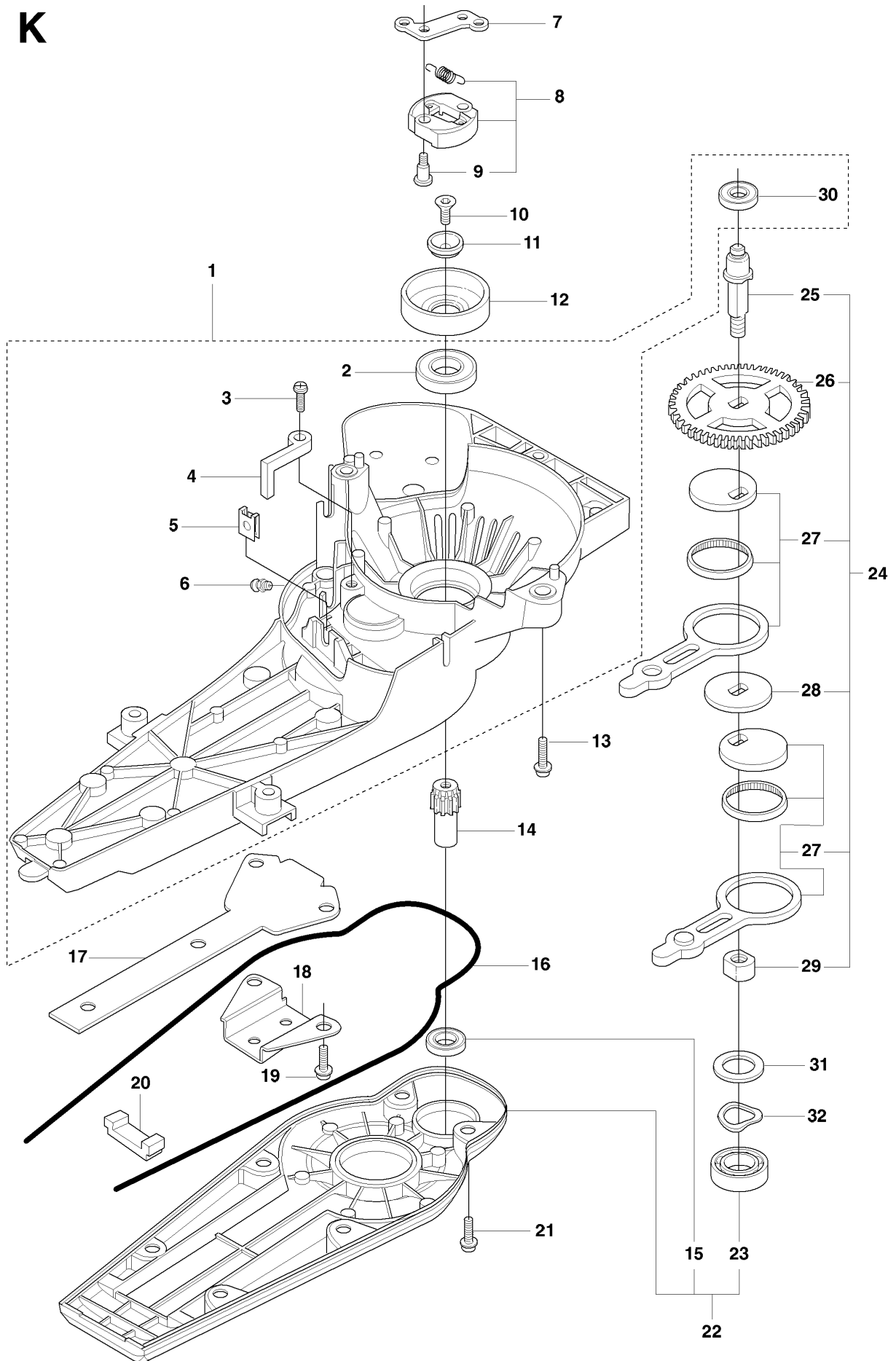


## FUEL TANK

325 HD60 X-SERIES from 2009-02 -

| Ref | Part No      | Description    | Remark | QTY KIT |
|-----|--------------|----------------|--------|---------|
| 1   | 503 98 47-03 | FUEL TANK      |        | 1       |
| 2   | 504 11 32-01 | TANK CAP       |        | 1       |
| 3   | 503 73 58-01 | BUSHING        |        | 2       |
| 4   | 503 91 10-01 | SUSPENSION     |        | 4       |
| 5   | 537 18 49-01 | O-RING         |        | 1       |
| 6   | 581 75 62-01 | FUEL HOSE      |        | 1       |
| 7   | 537 18 49-01 | O-RING         |        | 1       |
| 8   | 503 44 32-01 | FILTER         |        | 1       |
| 9   | 503 93 66-01 | PRIMER HOUSING |        | 1       |
| 10  | 544 97 75-01 | FUEL HOSE      |        | 2       |

**K**

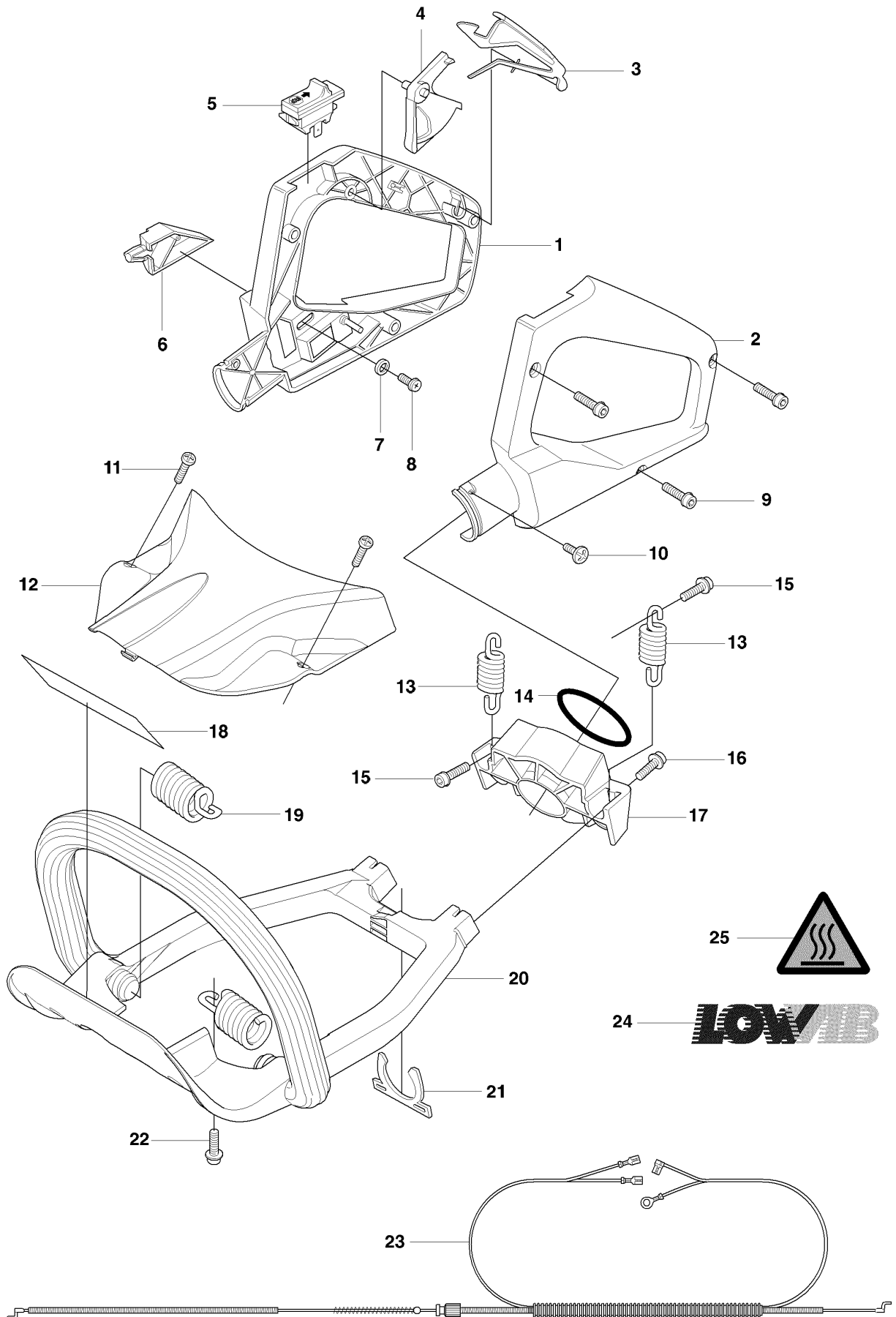


## GEAR HOUSING

325 HD60 X-SERIES from 2009-02 -

| Ref | Part No      | Description        | Remark | QTY KIT |
|-----|--------------|--------------------|--------|---------|
| 1   | 537 18 94-04 | GEAR HOUSING       |        | 1       |
| 2   | 738 21 02-04 | BALL BEARING       |        | 1       |
| 3   | 503 21 27-13 | SCREW CRPANT       |        | 1       |
| 4   | 537 17 17-01 | BRACKET            |        | 1       |
| 5   | 503 22 72-01 | SPEED NUT          |        | 1       |
| 6   | 738 88 10-01 | LUBRICATION NIPPLE |        | 1       |
| 7   | 537 24 25-01 | CLUTCH HUB         |        | 1       |
| 8   | 544 08 32-01 | CLUTCH ASSY        |        | 1       |
| 9   | 503 84 29-02 | SCREW              |        | 2       |
| 10  | 725 64 49-56 | SCREW IHCSFM       |        | 1       |
| 11  | 537 09 03-01 | WASHER             |        | 1       |
| 12  | 537 03 96-01 | CLUTCH DRUM        |        | 1       |
| 13  | 503 21 62-20 | SCREW IHSCFT       |        | 3       |
| 14  | 537 09 01-01 | GEAR WHEEL SHAFT   |        | 1       |
| 15  | 503 25 05-01 | BALL BEARING       |        | 1       |
| 16  | 503 26 32-03 | O-RING             |        | 1       |
| 17  | 537 08 04-01 | WEAR PLATE         |        | 1       |
| 18  | 537 09 89-01 | GUIDE PLATE        |        | 1       |
| 19  | 503 21 68-16 | SCREW IHSCFT       |        | 2       |
| 20  | 537 05 33-01 | SEALING            |        | 1       |
| 21  | 503 21 68-16 | SCREW IHSCFT       |        | 6       |
| 22  | 537 11 02-01 | HUB CAP            |        | 1       |
| 23  | 738 21 88-00 | BALL BEARING       |        | 1       |
| 24  | 503 98 23-03 | DRIVE SHAFT        |        | 1       |
| 25  | 503 98 19-01 | DRIVE SHAFT        |        | 1       |
| 26  | 503 98 17-01 | GEAR RIM           |        | 1       |
| 27  | 537 17 35-02 | CONNECTING ROD     |        | 1       |
| 28  | 503 98 22-01 | SPACER             |        | 1       |
| 29  | 503 98 20-01 | NUT                |        | 1       |
| 30  | 738 21 98-04 | BALL BEARING       |        | 1       |
| 31  | 503 23 00-14 | WASHER             |        | 1       |
| 32  | 503 23 03-01 | WASHER             |        | 1       |

# J2 323HD

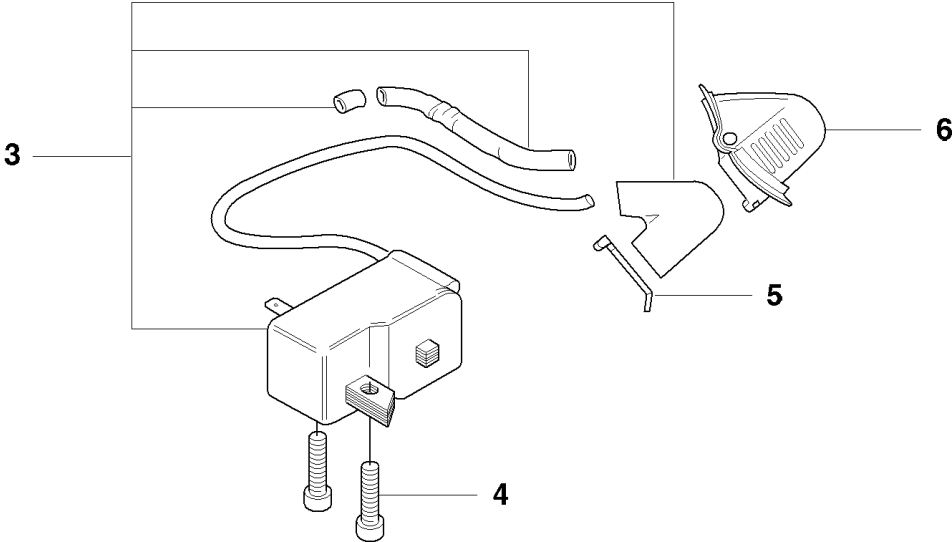
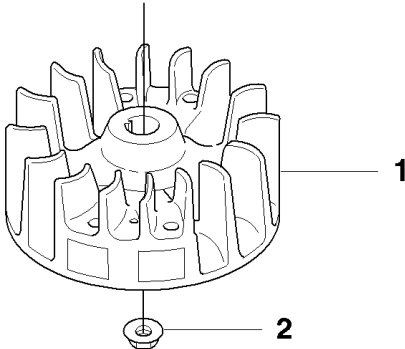


## HANDLE &amp; CONTROLS

325 HD60 X-SERIES from 2009-02 -

| Ref | Part No      | Description      | Remark | QTY KIT |
|-----|--------------|------------------|--------|---------|
| 1   | 537 28 00-06 | HANDLE ASSY      |        | 1       |
| 2   | 537 28 00-04 | HANDLE ASSY      |        | 1       |
| 3   | 537 18 39-01 | THROTTLE LOCKOUT |        | 1       |
| 4   | 506 01 44-02 | THROTTLE TRIGGER |        | 1       |
| 5   | 537 41 90-01 | SWITCH           |        | 1       |
| 6   | 537 19 78-01 | COVER            |        | 1       |
| 7   | 734 11 25-41 | WASHER           |        | 1       |
| 8   | 503 21 29-06 | SCREW CCRPANT    |        | 1       |
| 9   | 503 21 07-16 | SCREW IHSCFT     |        | 3       |
| 10  | 503 21 27-13 | SCREW CRPANT     |        | 1       |
| 11  | 503 21 28-10 | SCREW CCRPANT    |        | 2       |
| 12  | 544 22 86-01 | HEAT PROTECTOR   |        | 1       |
| 13  | 537 08 07-01 | SPRING           |        | 2       |
| 14  | 740 44 16-00 | O-RING           |        | 1       |
| 15  | 503 21 68-16 | SCREW IHSCFT     |        | 2       |
| 16  | 503 21 06-22 | SCREW IHSCFT     |        | 2       |
| 17  | 537 08 06-01 | SPRING           |        | 1       |
| 18  | 503 73 45-01 | LABEL            |        | 1       |
| 19  | 537 08 08-01 | SPRING           |        | 2       |
| 20  | 503 77 10-04 | FRONT HANDLE     |        | 1       |
| 21  | 503 77 09-01 | SECURING PLATE   |        | 1       |
| 22  | 503 21 68-16 | SCREW IHSCFT     |        | 2       |
| 23  | 537 10 51-03 | WIRING           |        | 1       |
| 24  | 503 73 45-01 | LABEL            |        | 1       |
| 25  | 544 84 33-01 | LABEL            |        | 1       |

**E**



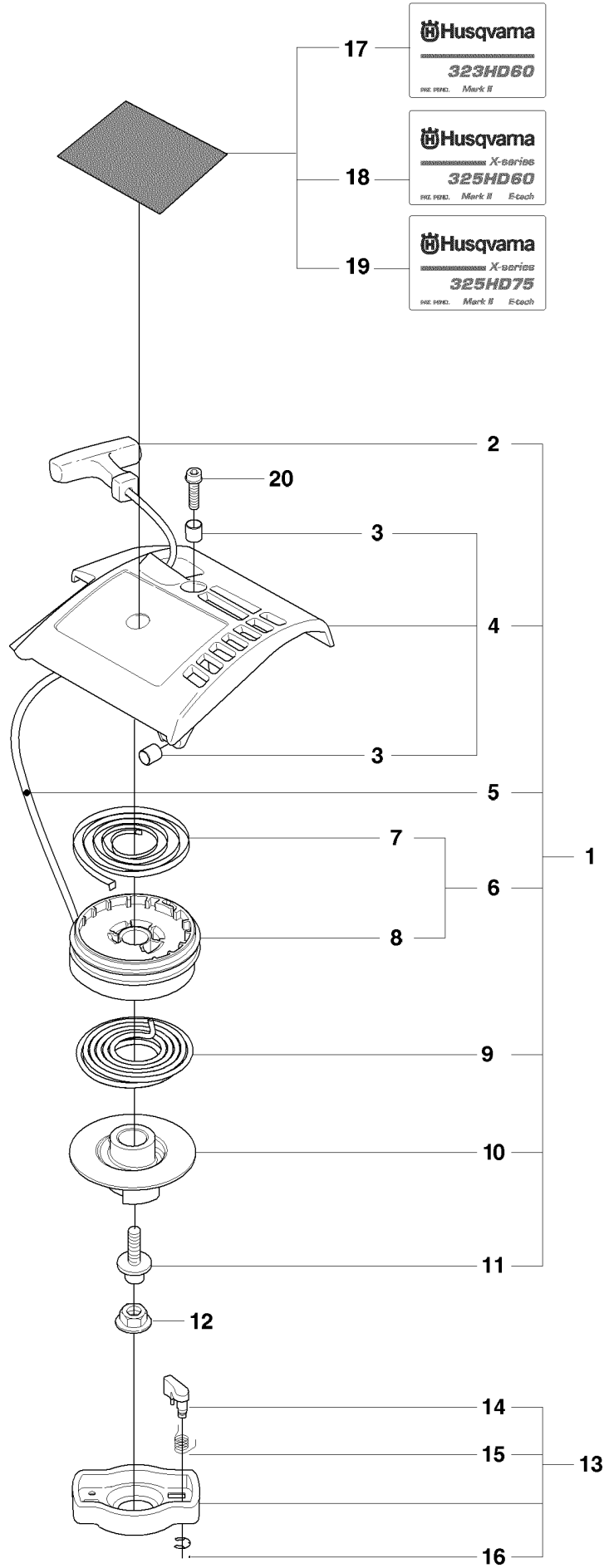


## IGNITION SYSTEM

325 HD60 X-SERIES from 2009-02 -

| Ref | Part No      | Description         | Remark | QTY KIT |
|-----|--------------|---------------------|--------|---------|
| 1   | 537 24 96-02 | FLYWHEEL            |        | 1       |
| 2   | 731 71 16-51 | HEXAGON NUT FLANGED |        | 1       |
| 3   | 504 70 76-01 | IGNITION MODULE     |        | 1       |
| 4   | 503 21 66-18 | SCREW IHSCT         |        | 2       |
| 5   | 537 09 17-01 | SECURING PLATE      |        | 1       |
| 6   | 537 06 44-02 | COVER               |        | 1       |

# A



## STARTER

325 HD60 X-SERIES from 2009-02 -

| Ref | Part No      | Description         | Remark | QTY KIT |
|-----|--------------|---------------------|--------|---------|
| 1   | 544 00 25-02 | STARTER ASSY        |        | 1       |
| 2   | 537 00 84-01 | STARTER HANDLE      |        | 1       |
| 3   | 537 37 93-02 | SPACING SLEEVE      |        | 3       |
| 4   | 544 00 24-01 | STARTER HOUSING     |        | 1       |
| 5   | 503 85 89-01 | STARTER CORD        |        | 1       |
| 6   | 544 16 65-01 | STARTER PULLEY ASSY |        | 1       |
| 7   | 503 85 90-01 | RECOIL SPRING       |        | 1       |
| 8   | 544 03 86-01 | STARTER PULLEY      |        | 1       |
| 9   | 544 03 88-02 | SPRING              |        | 1       |
| 10  | 544 03 87-02 | DRIVER              |        | 1       |
| 11  | 503 21 77-25 | SCREW IHSC T        |        | 1       |
| 12  | 731 71 16-51 | HEXAGON NUT FLANGED |        | 1       |
| 13  | 503 87 33-02 | STARTER PAWL BRIDGE |        | 1       |
| 14  | 503 87 35-02 | STARTER PAWL        |        | 1       |
| 15  | 503 87 36-01 | SPRING              |        | 2       |
| 16  | 735 31 08-20 | E-CLIP              |        | 2       |
| 17  | 537 35 34-11 | LABEL               |        | 2       |
| 18  | 537 35 34-20 | LABEL               |        | 1       |
| 19  | 537 35 34-21 | LABEL               |        | 1       |
| 20  | 503 20 03-16 | SCREW IHSCFM        |        | 1       |

# Illustrated Parts List - IPL Update



Product Name(s)

**325HD60X, 325HD75X**

Description of change

Change of the fuel hose.

|                 | Serial number / Date | Remark |
|-----------------|----------------------|--------|
| Introduced from |                      |        |
|                 |                      |        |
|                 |                      |        |

| Page Title | Ref. no | New part no  | Name      | Excl. part no. | Remark |
|------------|---------|--------------|-----------|----------------|--------|
| Fuel tank  | 6       | 581 75 62-01 | Fuel hose | 544 32 50-01   |        |
|            |         |              |           |                |        |
|            |         |              |           |                |        |
|            |         |              |           |                |        |

Comments