

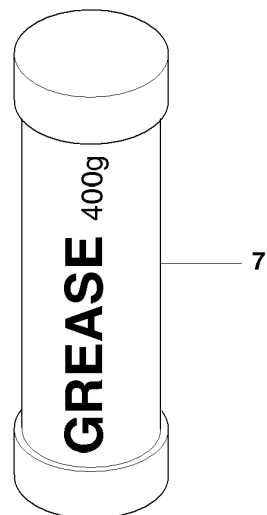
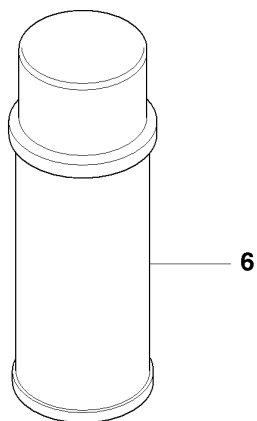
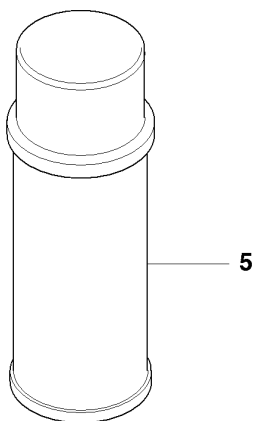
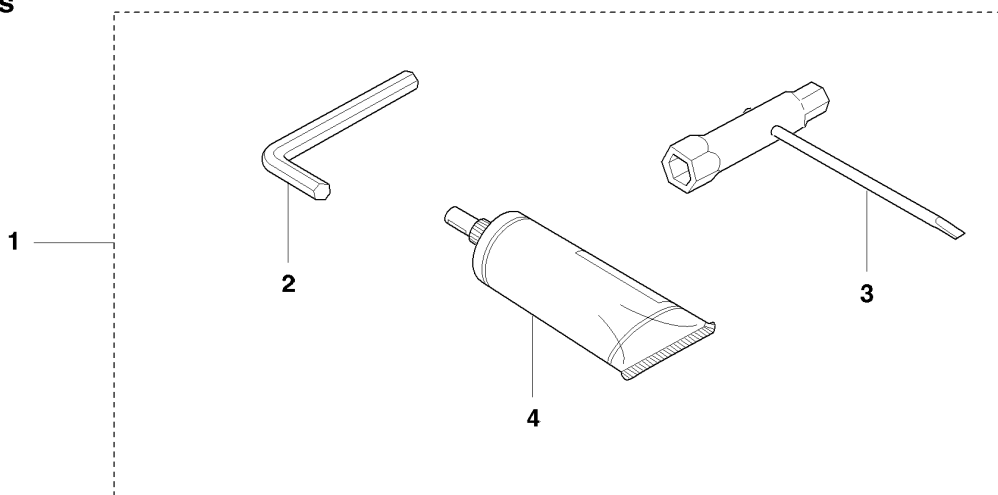


# SPARE PARTS LIST

HEDGE TRIMMERS/POLE HEDGE  
TRIMMERS

325 HD75 X-SERIES from 2009-02 -

**N** Accessories  
Zubehöre  
Accessoires  
Acessorios  
Tillbehör

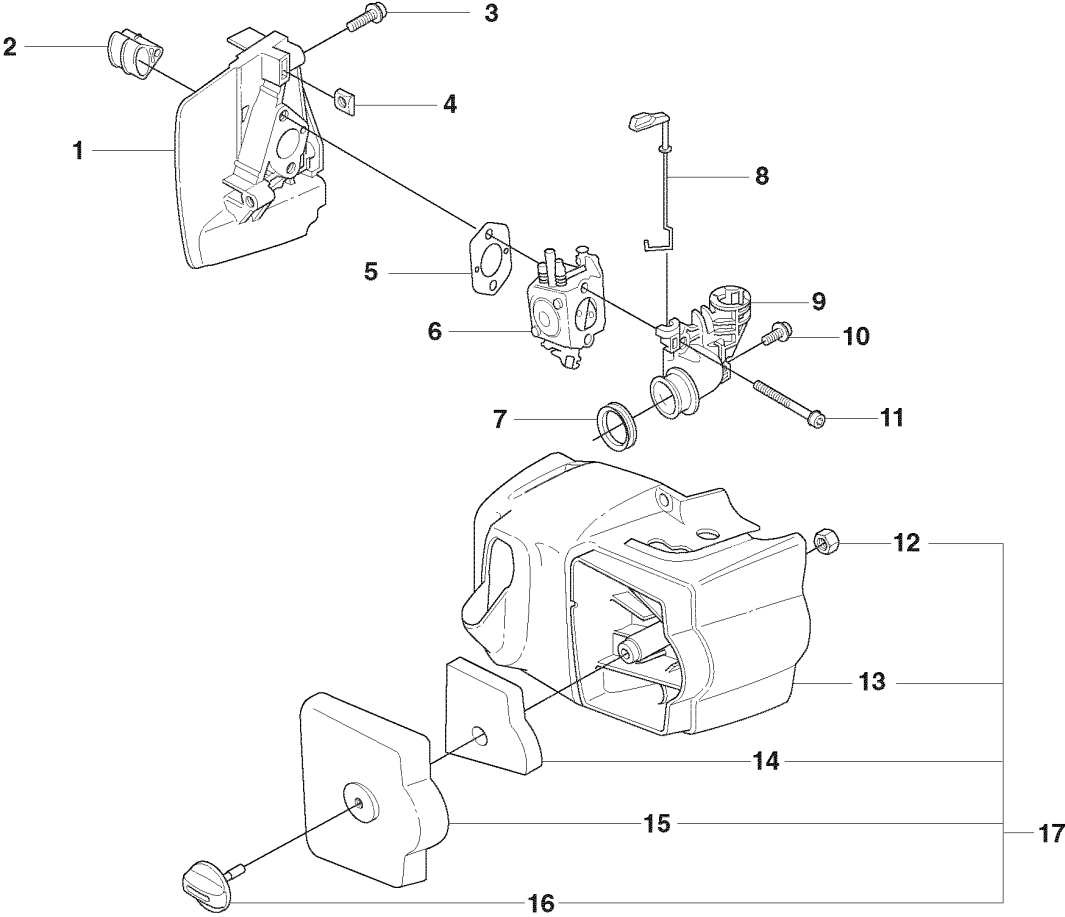


## ACCESSORIES

325 HD75 X-SERIES from 2009-02 -

Ref	Part No	Description	Remark	QTY KIT
1	502 21 60-09	ACCESSORY BAG		1
2	503 55 86-01	SPANNER		1
3	501 69 17-01	COMBINATION WRENCH		1
4	503 98 96-02	GREASE		1
5	531 00 75-13	GREASE	UL22	1
6	531 00 75-12	GREASE	UL21	1
7	531 00 92-05	GREASE	Grease 400g	1

C



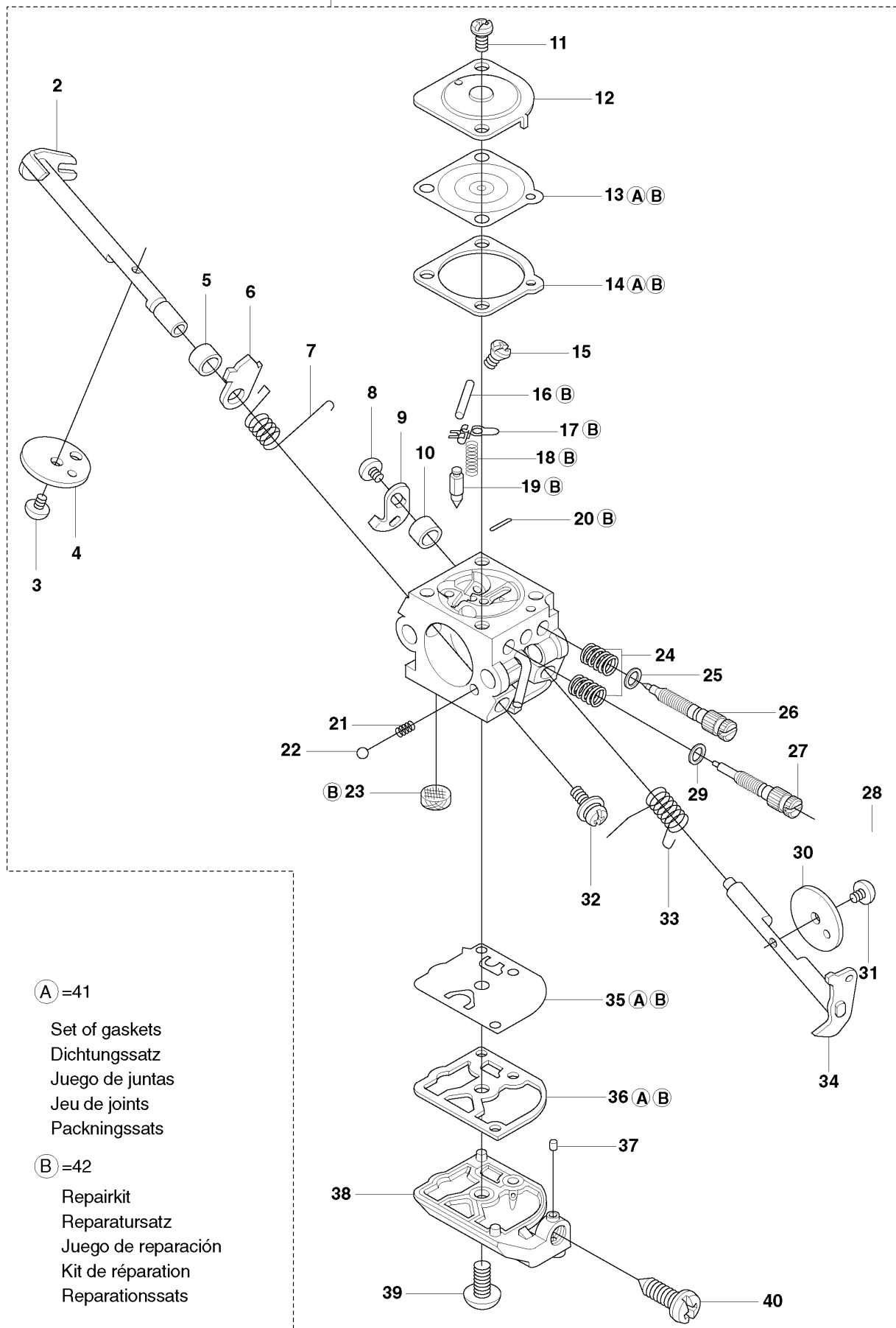
## CARBURETOR &amp; AIR FILTER

325 HD75 X-SERIES from 2009-02 -

Ref	Part No	Description	Remark	QTY KIT
1	503 91 09-01	INSULATION WALL		1
2	503 94 26-01	INLET PIPE		1
3	503 20 14-25	SCREW IHSCFMO		2
4	503 22 65-04	SQUARE NUT		2
5	503 49 71-01	GASKET		1
6	503 28 34-03	CARBURETTOR		1
7	740 68 11-21	V-RING		1
8	537 02 33-01	CHOKE CONTROL		1
9	537 05 78-01	BRACKET		1
10	503 21 77-16	SCREW IHSC T		1
11	503 21 75-50	SCREW IHSCFT		2
12	731 23 14-01	HEXAGON NUT		1
13	537 06 24-06	CYLINDER COVER		1
14	537 25 53-01	AIR FILTER		1
15	537 06 63-01	FILTER COVER		1
16	537 21 32-10	KNOB		1
17	537 41 19-05	CYLINDER COVER ASSY		1

**M**

**ZAMA C1Q - EL 26**



(A) =41

Set of gaskets  
 Dichtungssatz  
 Juego de juntas  
 Jeu de joints  
 Packningssats

(B) =42

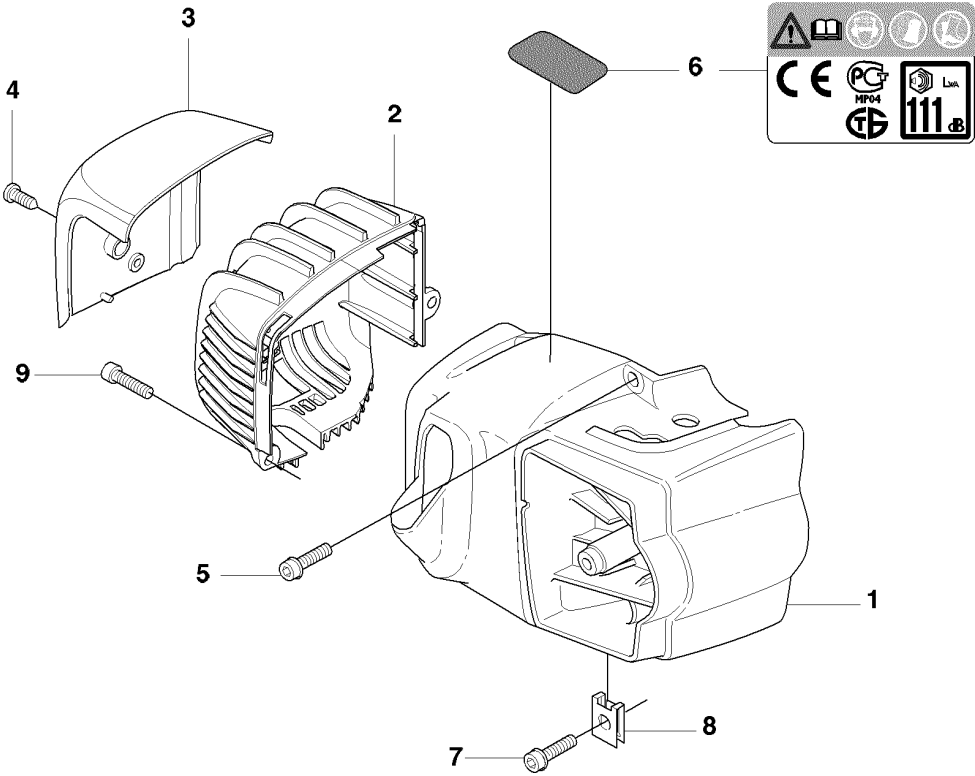
Repairkit  
 Reparatursatz  
 Juego de reparación  
 Kit de réparation  
 Reparationssats

## CARBURETOR DETAILS

325 HD75 X-SERIES from 2009-02 -

Ref	Part No	Description	Remark	QTY KIT
1	503 28 34-03	CARBURETTOR		1
2	537 02 09-01	SHAFT ASSY		1
3	503 48 18-01	SCREW		1
4	537 02 11-01	VALVE		1
5	503 48 19-01	COLLAR		1
6	537 14 34-01	LEVER		1
7	537 02 10-01	SPRING		1
8	503 47 90-01	SCREW		1
9	537 01 98-01	LEVER		1
10	503 47 89-01	COLLAR		1
11	503 48 05-01	SCREW		2
12	503 97 43-01	COVER		1
13	537 04 89-01	DIAPHRAGM		1
14	537 02 04-01	GASKET		1
15	503 48 01-01	SCREW		1
16	503 48 00-01	PIN RETAINING SCREW		1
17	503 66 59-01	LEVER		1
18	537 02 03-01	SPRING		1
19	503 47 97-01	VALVE		1
20	537 02 08-01	PLUG		1
21	537 01 26-01	SPRING		1
22	537 01 25-01	BALL		1
23	503 53 57-01	STRAINER		1
24	503 48 08-01	SPRING		1
25	503 97 40-01	WASHER		1
26	537 12 78-01	SCREW		1
27	537 02 06-01	SCREW		1
28	537 14 35-01	RETAINER		1
29	503 97 40-01	WASHER		1
30	537 01 99-01	VALVE		1
31	503 47 92-01	SCREW		1
32	503 75 53-01	SCREW		1
33	537 01 97-01	SPRING		1
34	537 01 96-01	SHAFT ASSY		1
35	537 02 00-01	DIAPHRAGM PUMP		1
36	537 02 01-01	GASKET PUMP		1
37	503 48 11-01	PIECE		1
38	537 02 02-01	COVER		1
39	503 47 96-01	SCREW		1
40	537 02 07-01	SCREW		1
41	531 00 45-52	GASKET KIT		1
42	531 00 45-53	SET		1

**B**



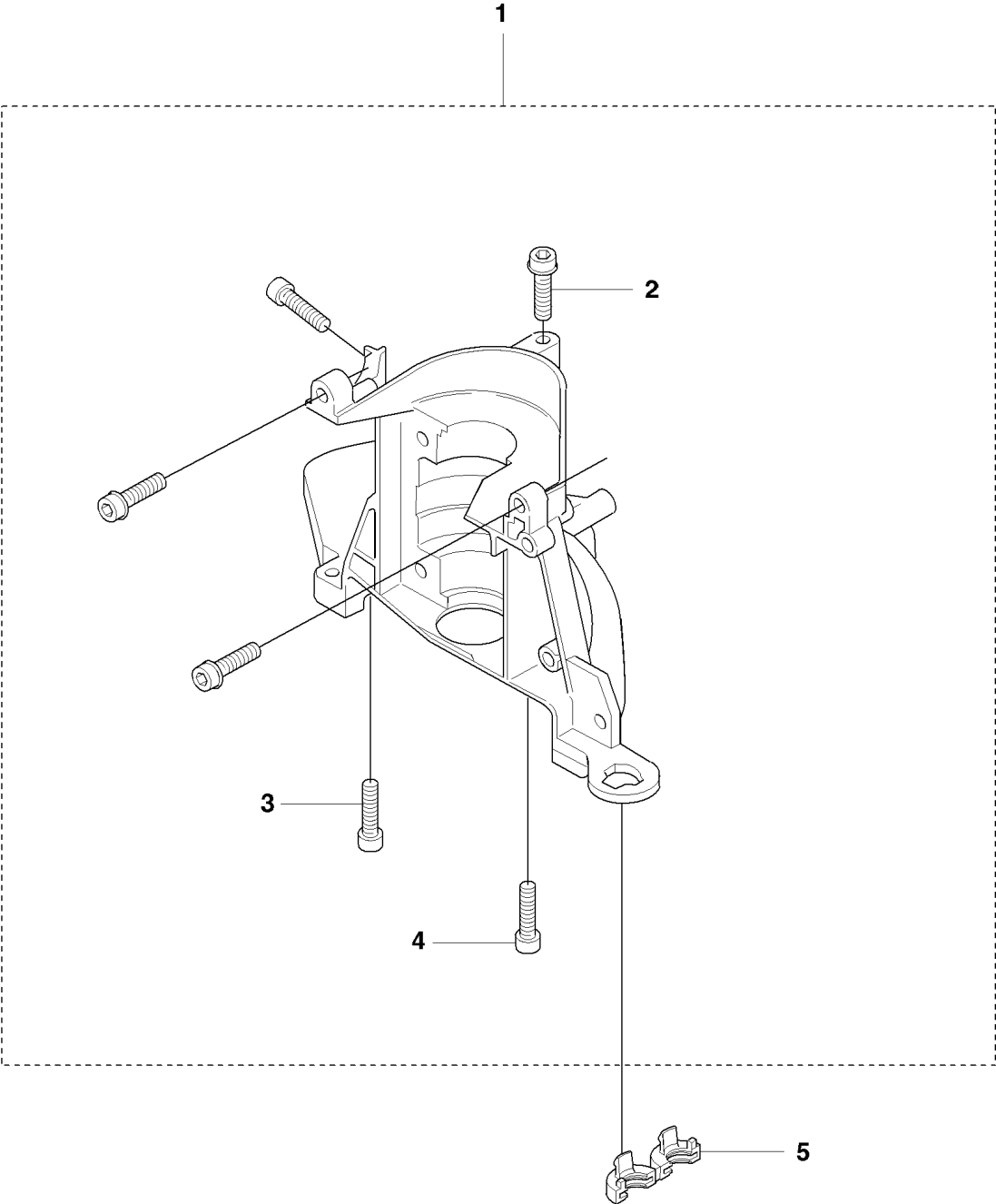


## COVER

325 HD75 X-SERIES from 2009-02 -

Ref	Part No	Description	Remark	QTY KIT
1	537 06 24-07	CYLINDER COVER		1
2	537 08 05-03	HEAT PROTECTOR		1
3	537 09 66-01	HEAT SHIELD		1
4	503 21 28-10	SCREW CCRPANT		3
5	503 20 03-16	SCREW IHSCFM		2
6	544 05 76-03	LABEL		1
7	503 21 44-16	SCREW IHSCFTO		1
8	503 22 72-01	SPEED NUT		1
9	503 21 62-20	SCREW IHSCFT		2

**G**

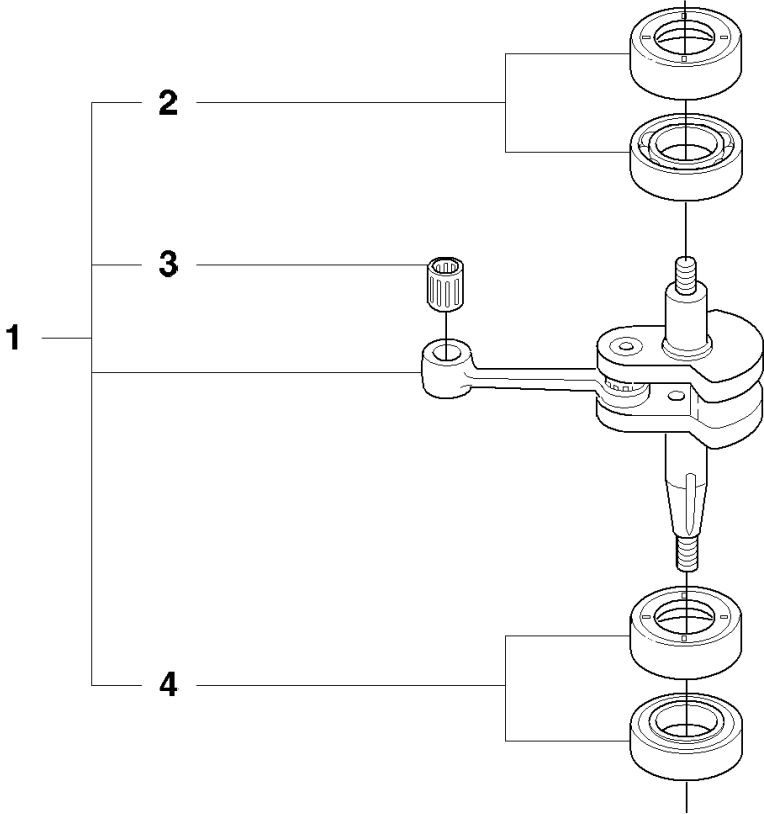


CRANKCASE

325 HD75 X-SERIES from 2009-02 -

Ref	Part No	Description	Remark	QTY KIT
1	537 04 11-03	CRANKCASE		1
2	503 20 03-16	SCREW IHSCFM		4
3	503 21 66-18	SCREW IH SCT		2
4	503 20 03-16	SCREW IHSCFM		4
5	537 10 50-02	SNAP		1

# H

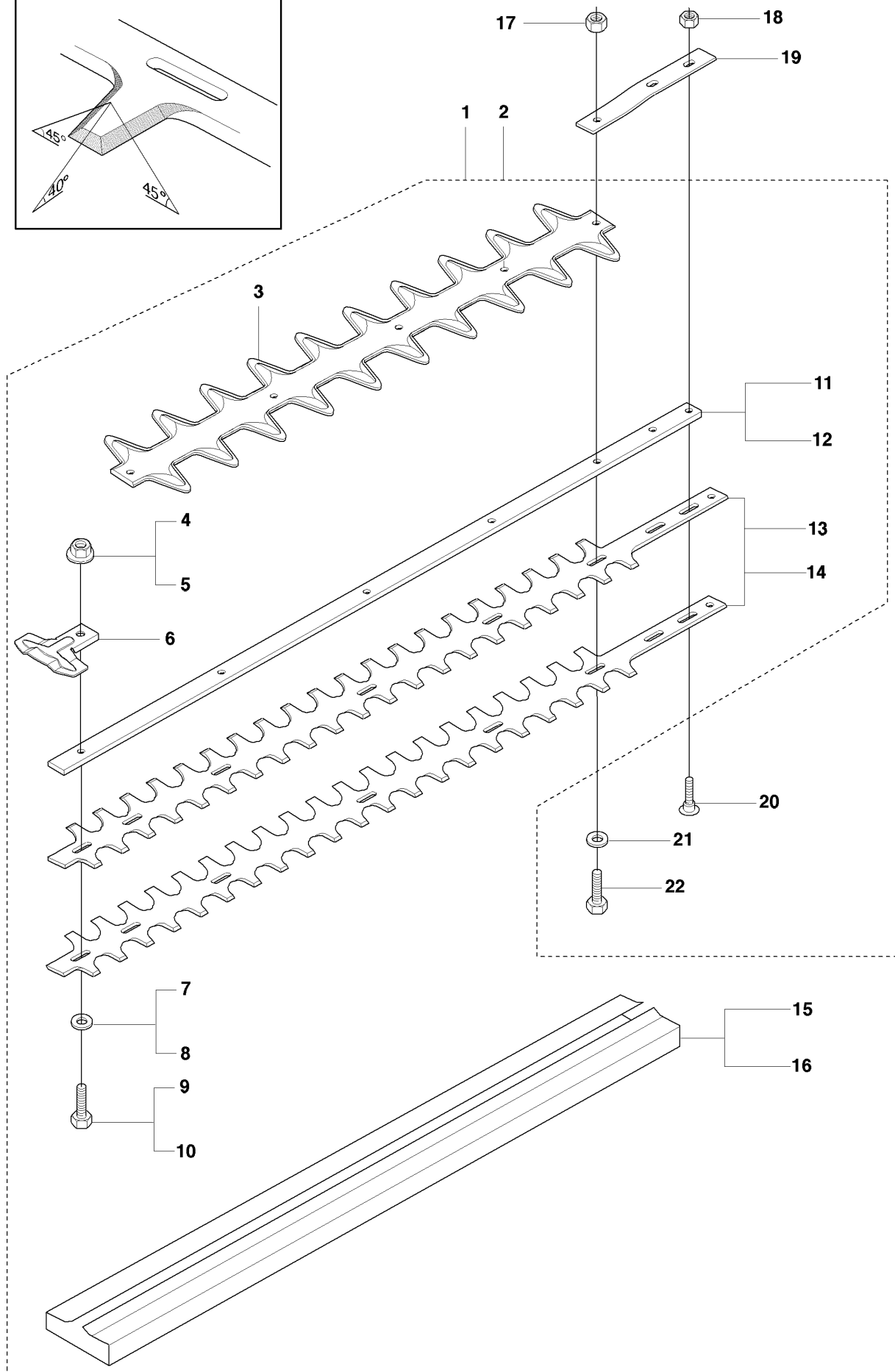
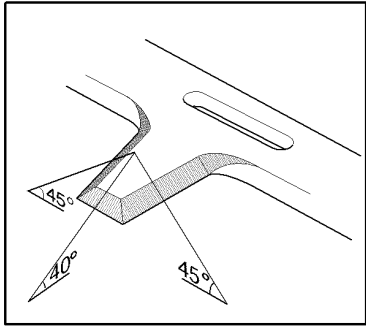


CRANKSHAFT

325 HD75 X-SERIES from 2009-02 -

Ref	Part No	Description	Remark	QTY KIT
1	537 12 81-05	CRANKSHAFT ASSY		1
2	503 94 02-03	BEARING CAGE		1
3	503 71 22-01	BEARING		1
4	537 12 88-02	BEARING CAGE		1

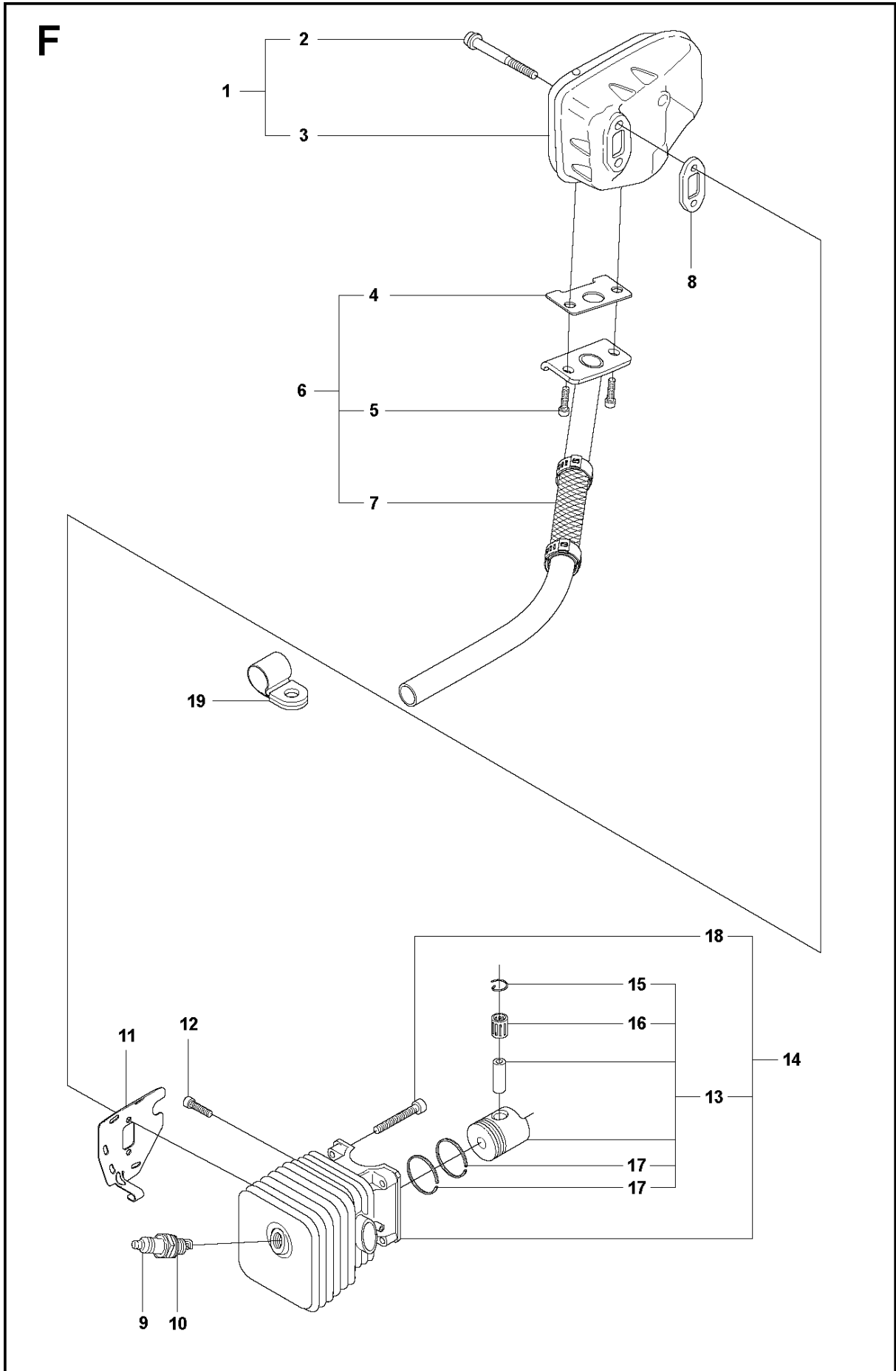
**L**



## CUTTING EQUIPMENT

325 HD75 X-SERIES from 2009-02 -

Ref	Part No	Description	Remark	QTY KIT
1	537 10 56-09	CUTTING DECK	323HD60, 325HD60	1
2	537 10 56-10	CUTTING DECK	323HD75	1
3	537 10 03-01	PROTECTIVE PLATE		1
4	503 22 00-06	HEXAGON NUT FLANGE	323HD75	5
5	503 22 00-06	HEXAGON NUT FLANGE	323HD60, 325HD60	4
6	537 37 20-01	COVER		1
7	503 23 00-24	WASHER	325HD75	5
8	503 23 00-24	WASHER	323HD60, 325HD60	4
9	503 20 17-22	SCREW EHHM	325HD75	5
10	503 20 17-22	SCREW EHHM	323HD60, 325HD60	4
11	537 10 70-01	BEAM	325HD75	2
12	537 10 70-02	BEAM	323HD60, 325HD60	1
13	537 10 01-08	BLADE	325HD75	2
14	537 10 01-07	BLADE	323HD60, 325HD60	2
15	537 11 08-04	TRANSPORT GUARD	325HD75	1
16	537 11 08-05	TRANSPORT GUARD	323HD60, 325HD60	1
17	731 23 16-01	HEXAGON NUT		1
18	503 22 00-08	HEXAGON NUT FLANGE		2
19	537 05 05-01	BASE PLATE		1
20	503 92 28-02	SCREW		2
21	503 23 00-24	WASHER		1
22	725 23 72-71	SCREW EHHM		1



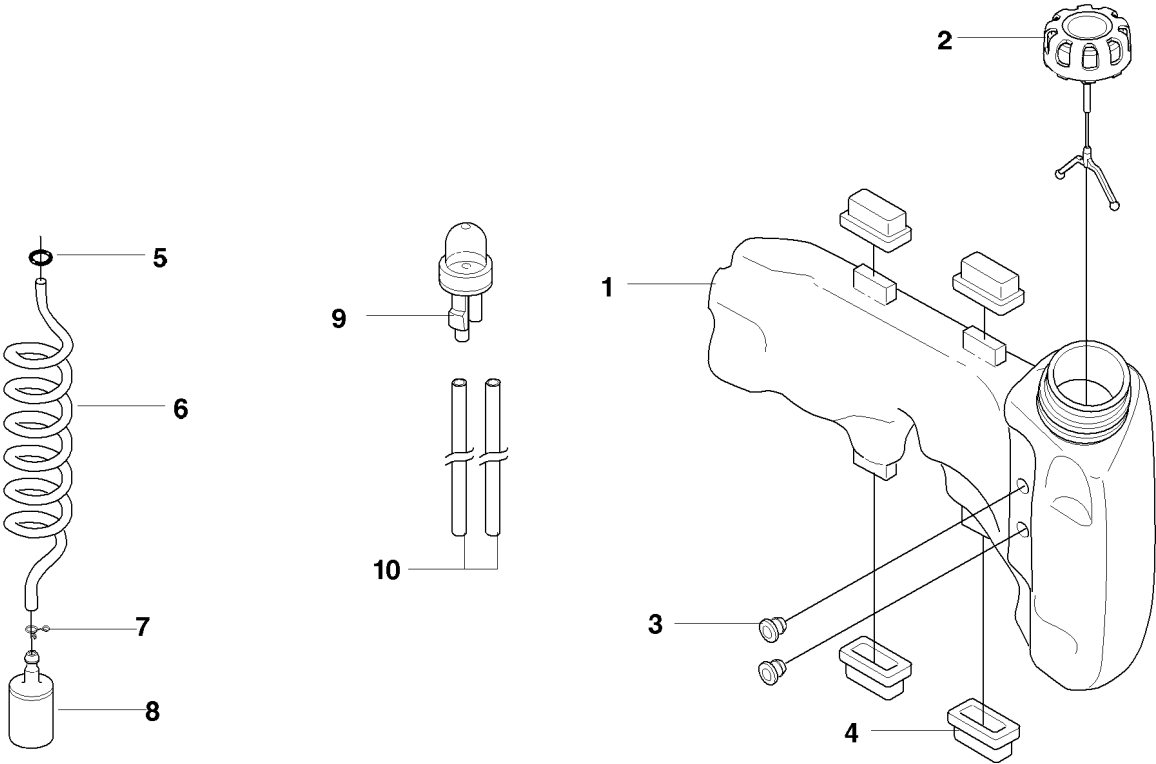


## CYLINDER, PISTON &amp; MUFFLER

325 HD75 X-SERIES from 2009-02 -

Ref	Part No	Description	Remark	QTY	KIT
1	544 39 08-01	MUFFLER KIT		1	
2	503 20 29-63	SCREW IHSCFM		2	1
3	544 23 24-01	MUFFLER ASSY		1	1
4	544 28 56-01	GASKET		1	6
5	503 20 25-08	SCREW IHSCM		2	6
6	544 39 09-01	EXHAUST PIPE		1	
7	505 25 34-01	EXHAUST PIPE ASSY		1	6
8	537 06 82-01	SPACER		1	
9	503 23 51-08	SPARK PLUG	Champion RCJ 7Y	1	
10	503 23 51-11	SPARK PLUG	NGK BPMR 7A	1	
11	537 37 09-01	AIR CONDUCTOR		1	
12	501 81 99-01	SCREW		1	
13	537 37 65-04	PISTON		1	
14	537 03 20-08	CYLINDER		2	13
15	737 44 08-00	CIRCLIP		2	13, 14
16	503 71 22-01	BEARING		1	13, 14
17	503 28 90-43	PISTON RING		2	13, 14
18	725 53 37-55	SCREW IHSCM		4	13
19	544 45 78-01	LOOP		1	

**D**

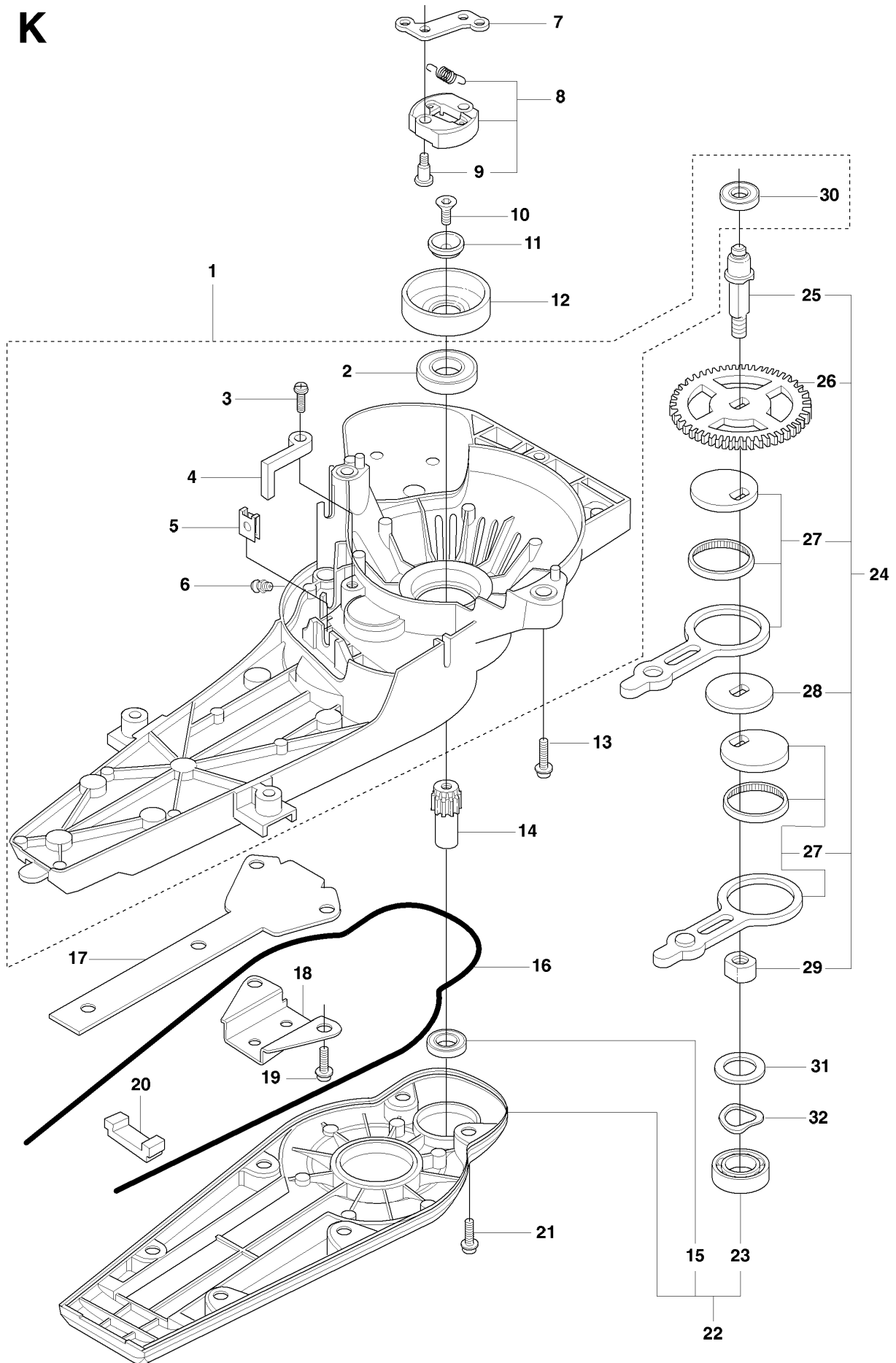


## FUEL TANK

325 HD75 X-SERIES from 2009-02 -

Ref	Part No	Description	Remark	QTY KIT
1	503 98 47-03	FUEL TANK		1
2	504 11 32-01	TANK CAP		1
3	503 73 58-01	BUSHING		2
4	503 91 10-01	SUSPENSION		4
5	537 18 49-01	O-RING		1
6	581 75 62-01	FUEL HOSE		1
7	537 18 49-01	O-RING		1
8	503 44 32-01	FILTER		1
9	503 93 66-01	PRIMER HOUSING		1
10	544 97 75-01	FUEL HOSE		2

**K**

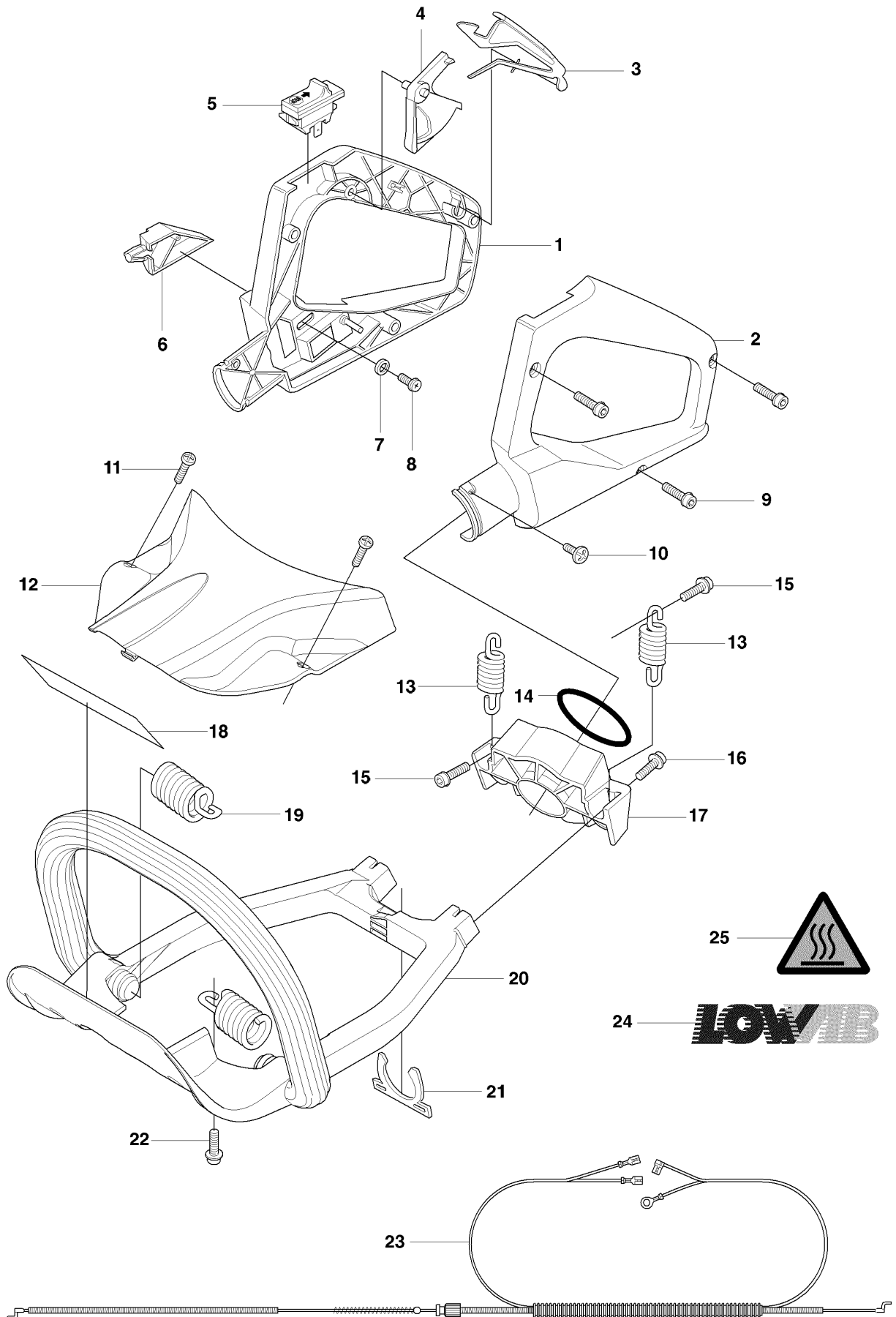


## GEAR HOUSING

325 HD75 X-SERIES from 2009-02 -

Ref	Part No	Description	Remark	QTY KIT
1	537 18 94-04	GEAR HOUSING		1
2	738 21 02-04	BALL BEARING		1
3	503 21 27-13	SCREW CRPANT		1
4	537 17 17-01	BRACKET		1
5	503 22 72-01	SPEED NUT		1
6	738 88 10-01	LUBRICATION NIPPLE		1
7	537 24 25-01	CLUTCH HUB		1
8	544 08 32-01	CLUTCH ASSY		1
9	503 84 29-02	SCREW		2
10	725 64 49-56	SCREW IHCSFM		1
11	537 09 03-01	WASHER		1
12	537 03 96-01	CLUTCH DRUM		1
13	503 21 62-20	SCREW IHSCFT		3
14	537 09 01-01	GEAR WHEEL SHAFT		1
15	503 25 05-01	BALL BEARING		1
16	503 26 32-03	O-RING		1
17	537 08 04-01	WEAR PLATE		1
18	537 09 89-01	GUIDE PLATE		1
19	503 21 68-16	SCREW IHSCFT		2
20	537 05 33-01	SEALING		1
21	503 21 68-16	SCREW IHSCFT		6
22	537 11 02-01	HUB CAP		1
23	738 21 88-00	BALL BEARING		1
24	503 98 23-03	DRIVE SHAFT		1
25	503 98 19-01	DRIVE SHAFT		1
26	503 98 17-01	GEAR RIM		1
27	537 17 35-02	CONNECTING ROD		1
28	503 98 22-01	SPACER		1
29	503 98 20-01	NUT		1
30	738 21 98-04	BALL BEARING		1
31	503 23 00-14	WASHER		1
32	503 23 03-01	WASHER		1

# J2 323HD

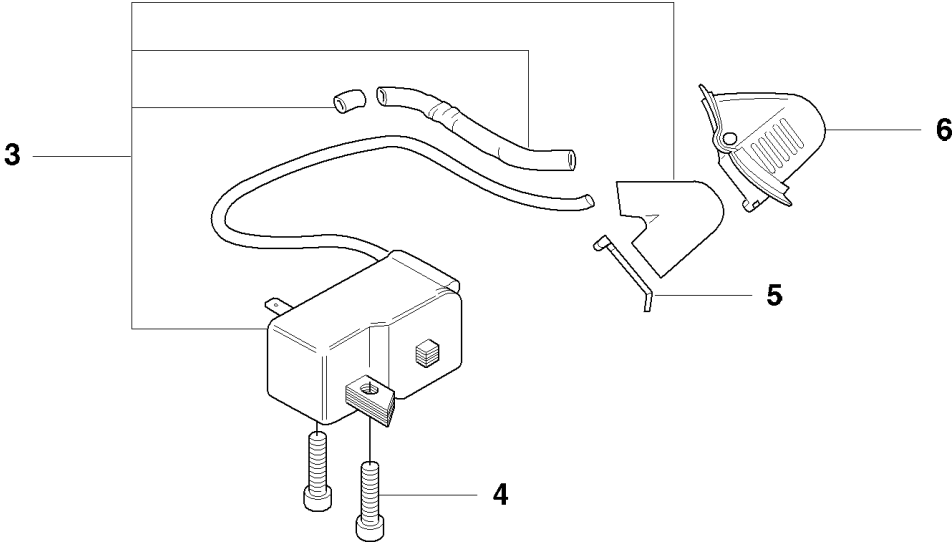
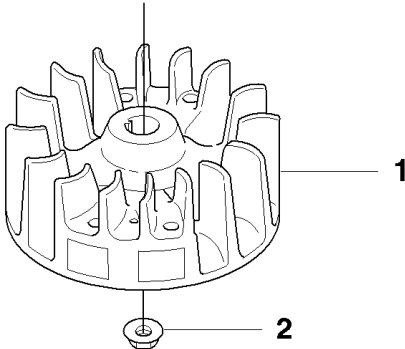


## HANDLE &amp; CONTROLS

325 HD75 X-SERIES from 2009-02 -

Ref	Part No	Description	Remark	QTY KIT
1	537 28 00-06	HANDLE ASSY		1
2	537 28 00-04	HANDLE ASSY		1
3	537 18 39-01	THROTTLE LOCKOUT		1
4	506 01 44-02	THROTTLE TRIGGER		1
5	537 41 90-01	SWITCH		1
6	537 19 78-01	COVER		1
7	734 11 25-41	WASHER		1
8	503 21 29-06	SCREW CCRPANT		1
9	503 21 07-16	SCREW IHSCFT		3
10	503 21 27-13	SCREW CRPANT		1
11	503 21 28-10	SCREW CCRPANT		2
12	544 22 86-01	HEAT PROTECTOR		1
13	537 08 07-01	SPRING		2
14	740 44 16-00	O-RING		1
15	503 21 68-16	SCREW IHSCFT		2
16	503 21 06-22	SCREW IHSCFT		2
17	537 08 06-01	SPRING		1
18	503 73 45-01	LABEL		1
19	537 08 08-01	SPRING		2
20	503 77 10-04	FRONT HANDLE		1
21	503 77 09-01	SECURING PLATE		1
22	503 21 68-16	SCREW IHSCFT		2
23	537 10 51-03	WIRING		1
24	503 73 45-01	LABEL		1
25	544 84 33-01	LABEL		1

**E**



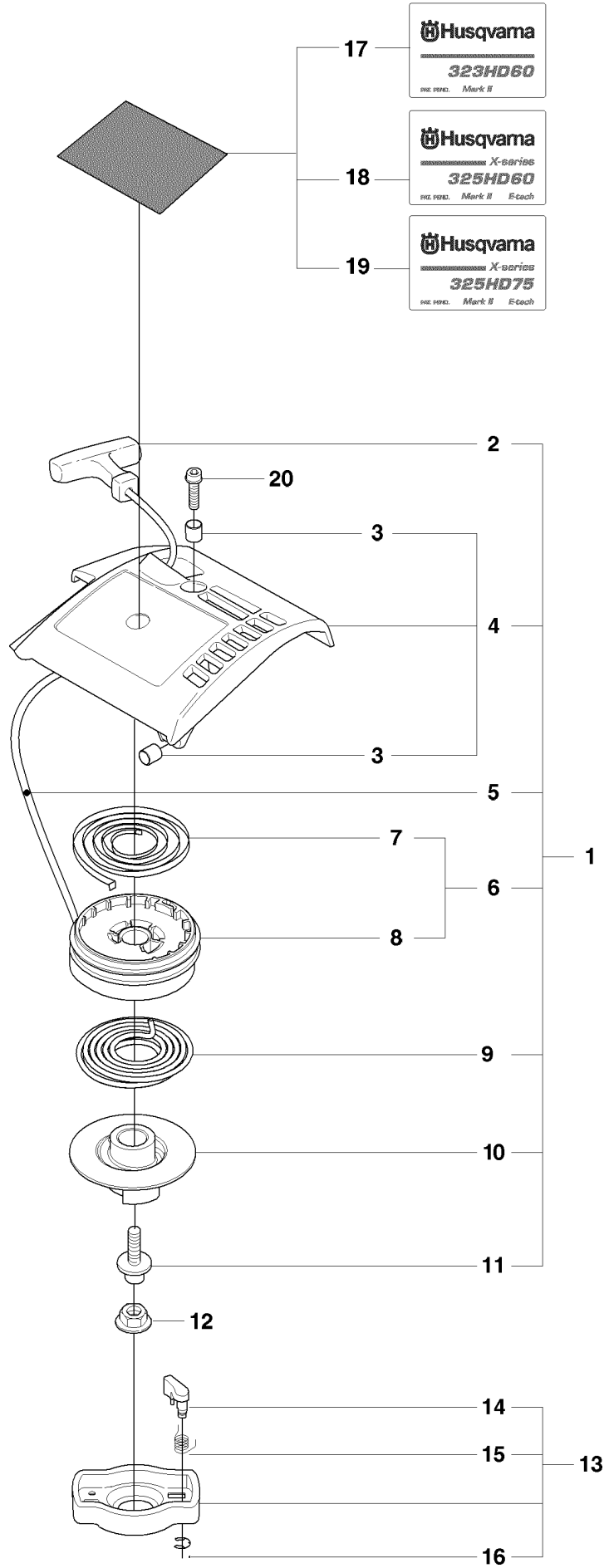


## IGNITION SYSTEM

325 HD75 X-SERIES from 2009-02 -

Ref	Part No	Description	Remark	QTY KIT
1	537 24 96-02	FLYWHEEL		1
2	731 71 16-51	HEXAGON NUT FLANGED		1
3	504 70 76-01	IGNITION MODULE		1
4	503 21 66-18	SCREW IHSCT		2
5	537 09 17-01	SECURING PLATE		1
6	537 06 44-02	COVER		1

# A



## STARTER

325 HD75 X-SERIES from 2009-02 -

Ref	Part No	Description	Remark	QTY KIT
1	544 00 25-02	STARTER ASSY		1
2	537 00 84-01	STARTER HANDLE		1
3	537 37 93-02	SPACING SLEEVE		3
4	544 00 24-01	STARTER HOUSING		1
5	503 85 89-01	STARTER CORD		1
6	544 16 65-01	STARTER PULLEY ASSY		1
7	503 85 90-01	RECOIL SPRING		1
8	544 03 86-01	STARTER PULLEY		1
9	544 03 88-02	SPRING		1
10	544 03 87-02	DRIVER		1
11	503 21 77-25	SCREW IH SCT		1
12	731 71 16-51	HEXAGON NUT FLANGED		1
13	503 87 33-02	STARTER PAWL BRIDGE		1
14	503 87 35-02	STARTER PAWL		1
15	503 87 36-01	SPRING		2
16	735 31 08-20	E-CLIP		2
17	537 35 34-11	LABEL		2
18	537 35 34-20	LABEL		1
19	537 35 34-21	LABEL		1
20	503 20 03-16	SCREW IH SCFM		1

# Illustrated Parts List - IPL Update



Product Name(s)

**325HD60X, 325HD75X**

Description of change

Change of the fuel hose.

	Serial number / Date	Remark
Introduced from		

Page Title	Ref. no	New part no	Name	Excl. part no.	Remark
Fuel tank	6	581 75 62-01	Fuel hose	544 32 50-01	

Comments