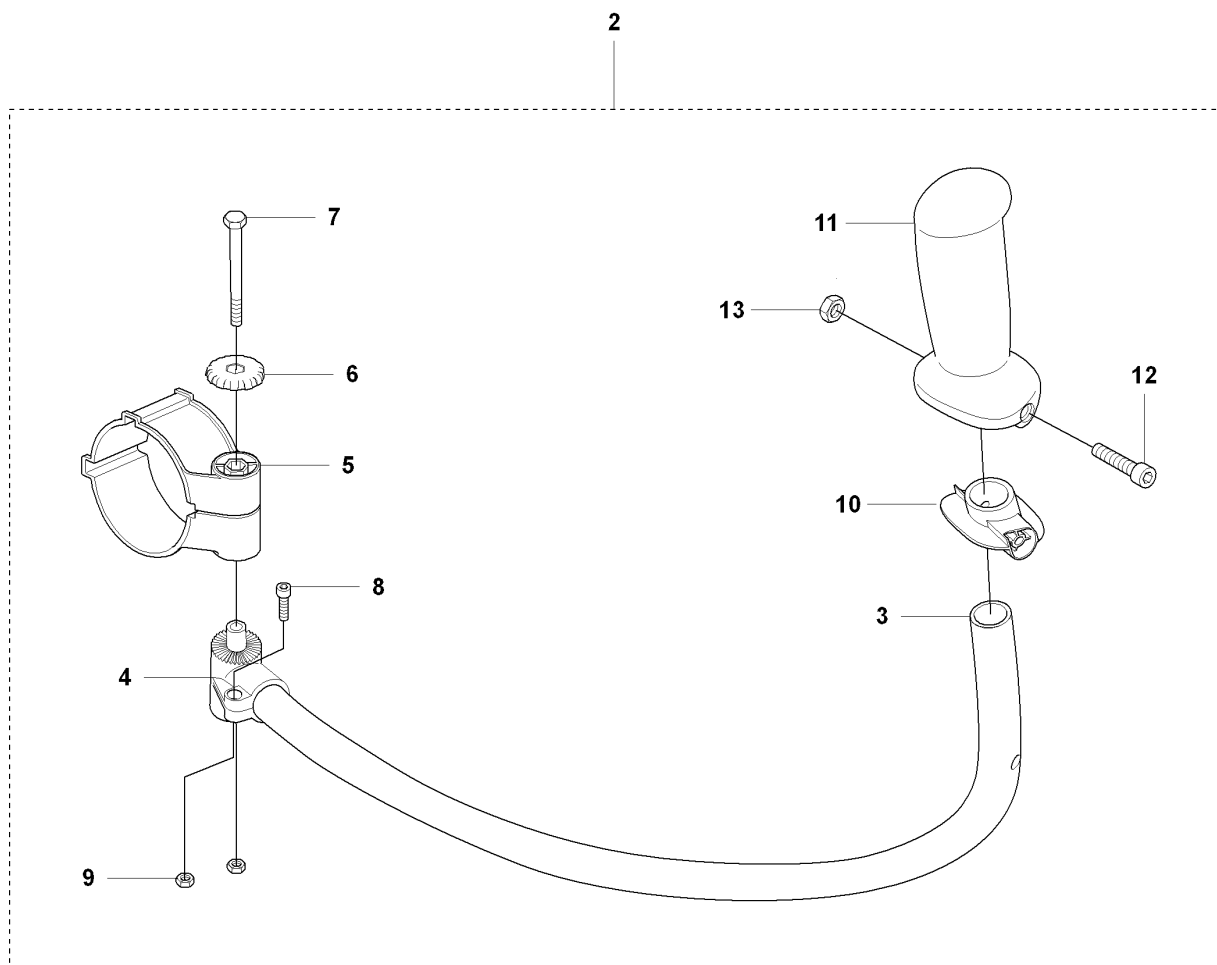
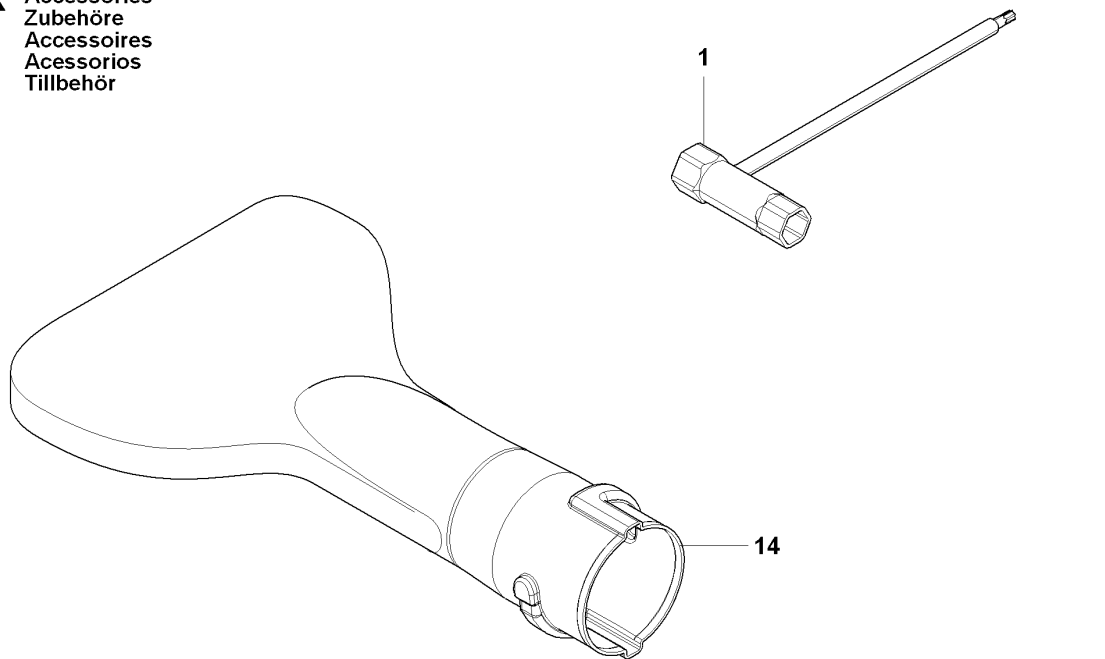




SPARE PARTS LIST

BLOWERS

350 BT, 2009-03

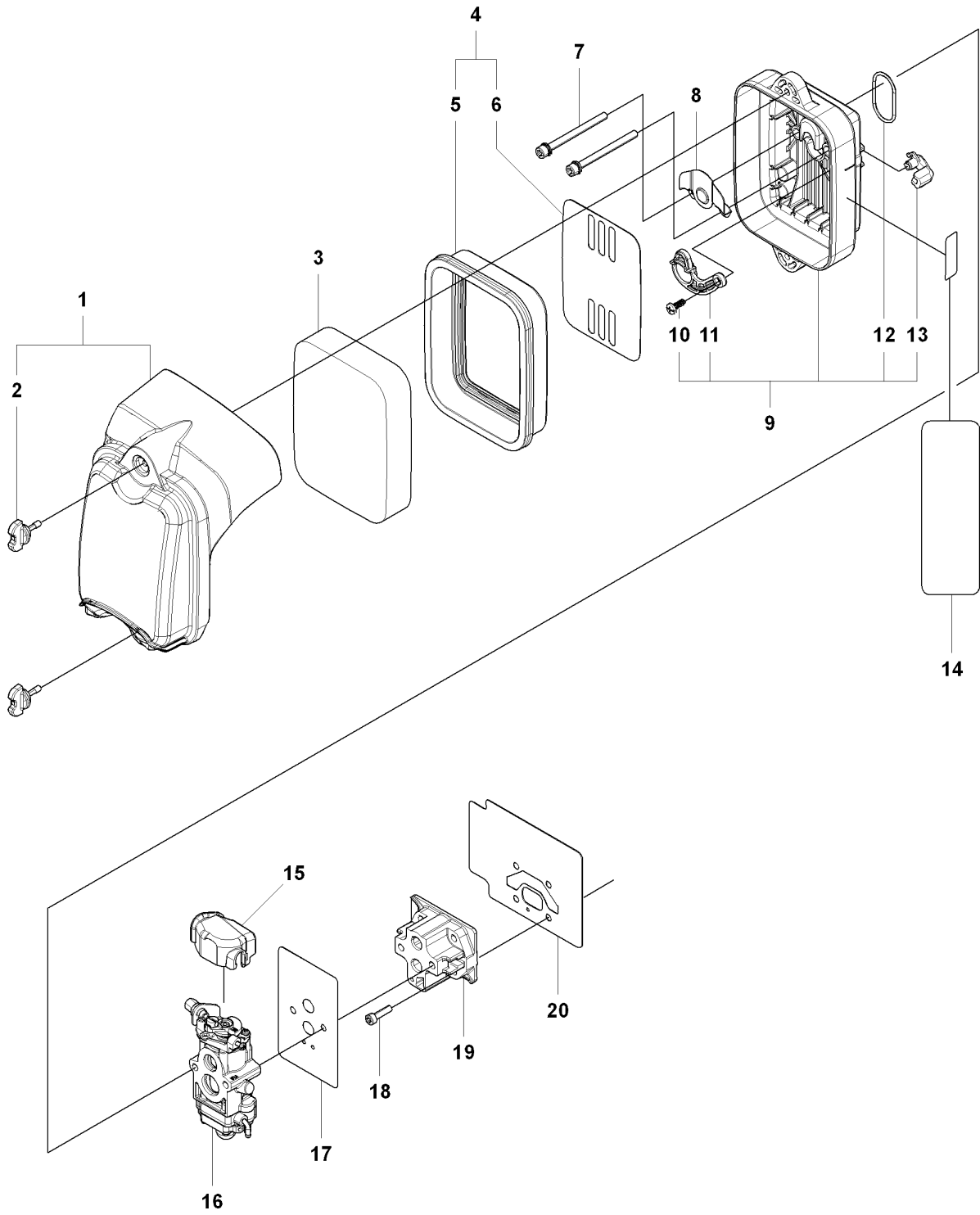
R 350BT/BF
Accessories
Zubehöre
Accessoires
Accesorios
Tillbehör

ACCESSORIES

350 BT, 2009-03

Ref	Part No	Description	Remark	QTY KIT
1	521 53 30-01	SOCKET		1
2	544 40 00-02	HANDLEBAR ASSY		1
3	537 24 13-01	HANDLEBAR		1
4	537 29 29-01	BRACKET		1
5	511 67 50-01	HOLDER		1
6	502 20 40-01	KNOB		1
7	725 23 47-51	SCREW EHHM		1
8	725 53 25-55	SCREW IHSCM		1
9	731 23 14-01	HEXAGON NUT		2
10	537 17 29-01	COVER		1
11	537 17 28-01	HANDLE		1
12	503 20 02-45	SCREW IHSCFM		1
13	731 23 14-01	HEXAGON NUT		1
14	502 44 40-01	TUBE		1

E 350BT/BF



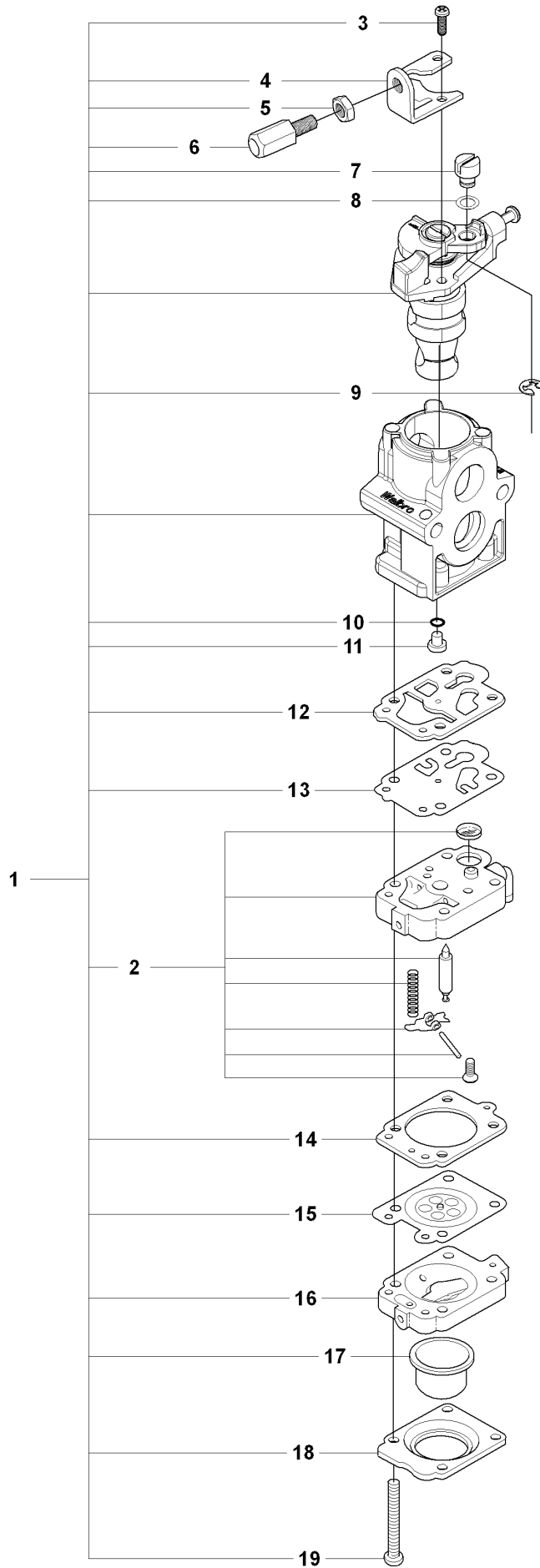
CARBURETOR & AIR FILTER

350 BT, 2009-03

Ref	Part No	Description	Remark	QTY KIT
1	502 84 42-01	COVER		1
2	502 84 43-01	KNOB		2
3	502 84 44-02	AIR FILTER		1
4	502 84 45-01	GASKET		1
7	586 49 66-01	BOLT		2
8	502 84 47-01	PLATE		1
9	502 84 49-02	AIR FILTER HOLDER		1
14	521 74 02-01	LABEL		1
15	506 74 42-01	COVER		1
16	581 15 66-01	CARBURETTOR		1
17	502 84 53-01	GASKET		1
18	586 49 60-01	BOLT		4
19	502 84 54-01	INSULATION		1
20	502 84 55-01	GASKET		1

Q 350BT/BF

Walbro WYA-79

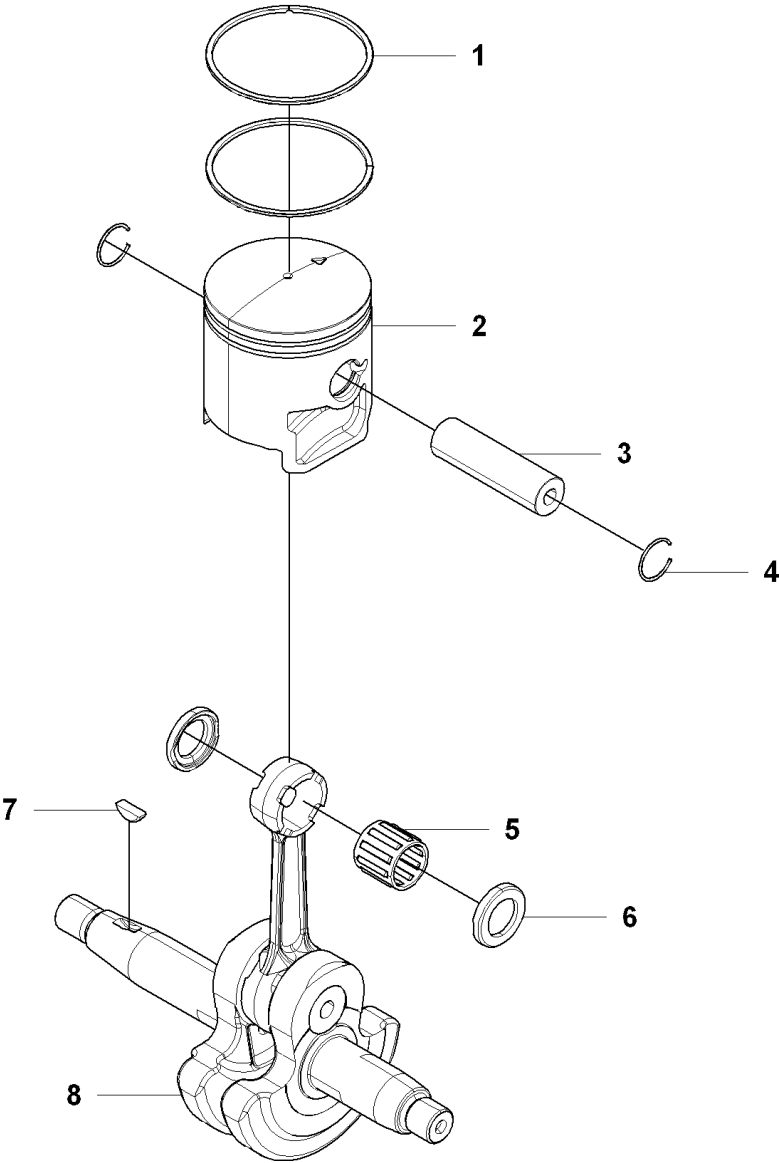


CARBURETOR DETAILS

350 BT, 2009-03

Ref	Part No	Description	Remark	QTY KIT
1	581 15 66-01	CARBURETTOR		1
2	544 36 35-01	BODY CARBURETTOR		1
3	505 30 79-01	SCREW		2
4	506 74 60-01	BRACKET		1
5	506 61 26-01	NUT		1
6	506 74 13-01	SCREW		1 1
7	506 74 12-01	SWIVEL		1
8	506 74 61-01	WASHER		1
9	506 73 86-01	RING		1
10	505 30 75-01	O-RING		1
11	504 64 32-01	JET		1
12	506 74 51-01	GASKET		1
13	506 68 98-01	DIAPHRAGM		1
14	506 74 08-01	GASKET		1
15	505 30 68-01	DIAPHRAGM		1
16	506 74 09-01	BODY		1
17	505 30 67-01	PUMP		1
18	506 74 10-01	COVER		1
19	506 74 11-01	SCREW		4

L 350BT/BF

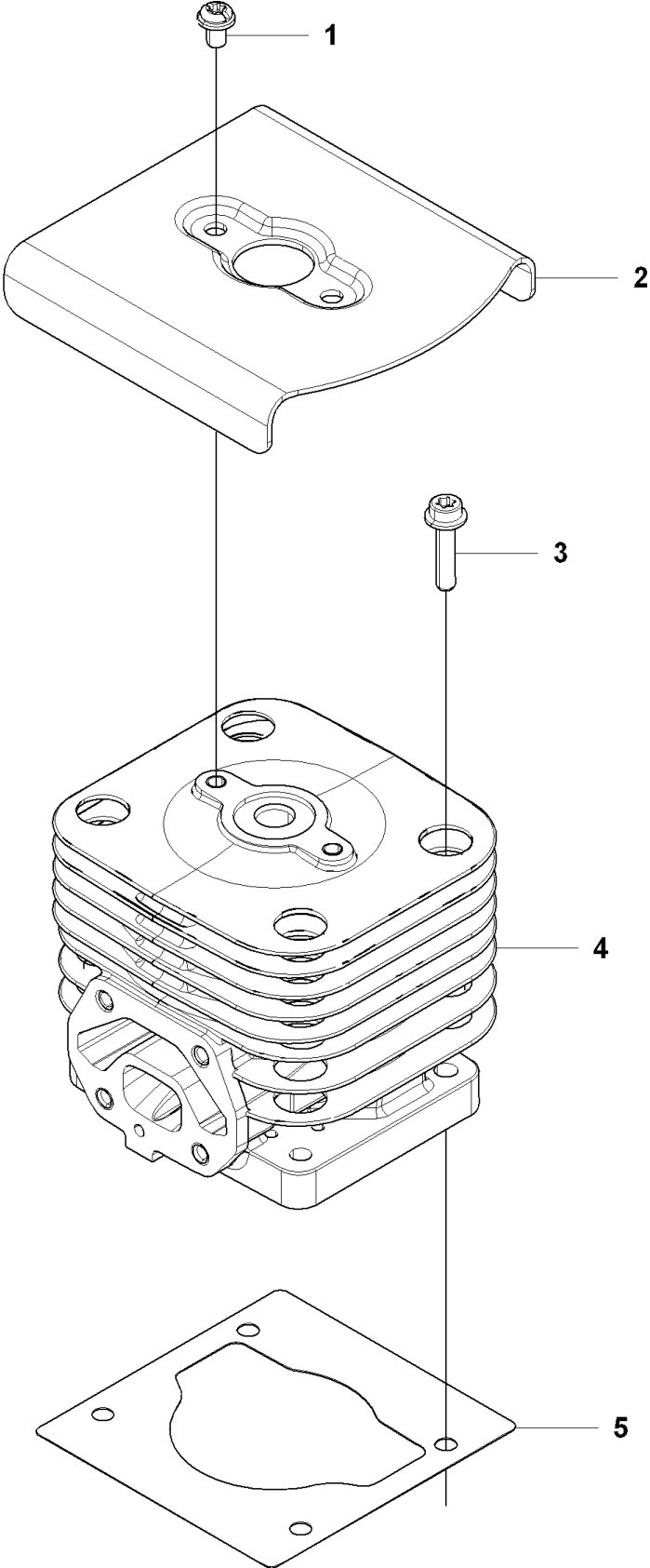


CRANKSHAFT

350 BT, 2009-03

Ref	Part No	Description	Remark	QTY KIT
1	502 84 95-01	PISTON RING		2
2	502 84 96-01	PISTON		1
3	510 91 69-01	PEN		1
4	502 84 98-01	SNAP RING		2
5	576 69 63-01	BEARING		1
6	502 85 00-01	WASHER		2
7	506 68 94-01	KEY		1
8	502 85 01-01	CRANKSHAFT		1

J 350BT/BF

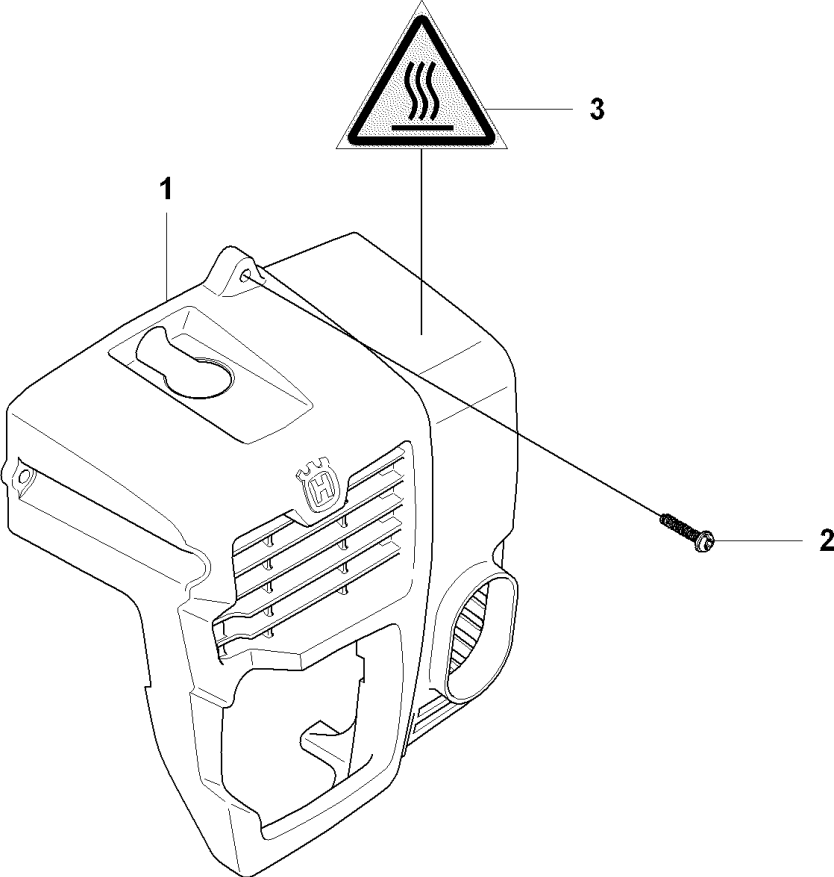


CYLINDER

350 BT, 2009-03

Ref	Part No	Description	Remark	QTY KIT
1	586 49 59-01	SCREW		2
2	502 84 65-01	PLATE		1
3	584 63 38-01	BOLT		4
4	502 84 87-01	CYLINDER		1
5	502 84 88-01	GASKET		1

C 350BT/BF

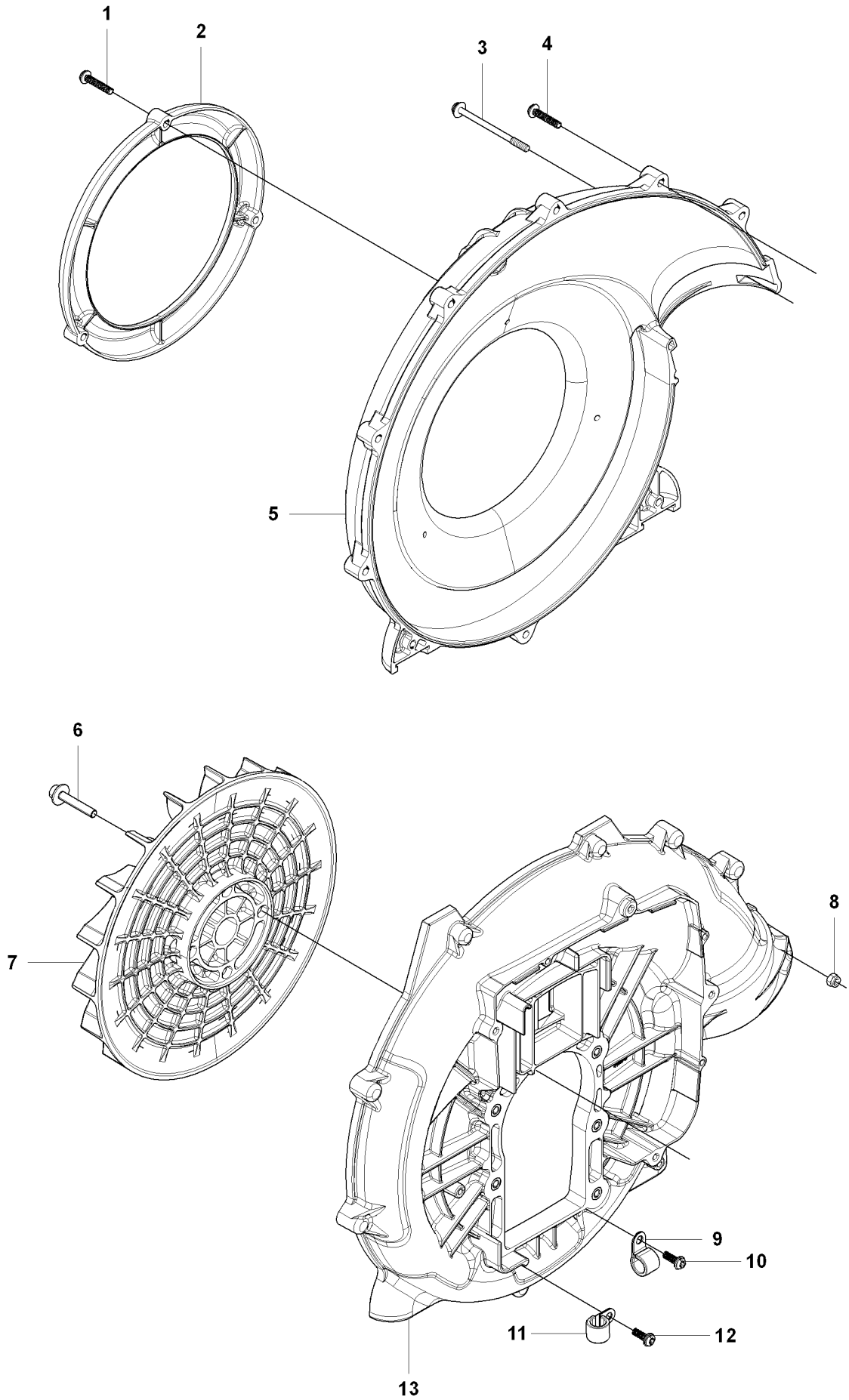


CYLINDER COVER

350 BT, 2009-03

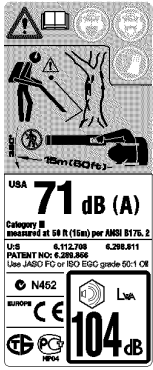
Ref	Part No	Description	Remark	QTY KIT
1	502 84 30-01	CYLINDER COVER		1
2	512 84 81-01	SCREW		4
3	521 55 36-01	LABEL		1

M 350BT/BF

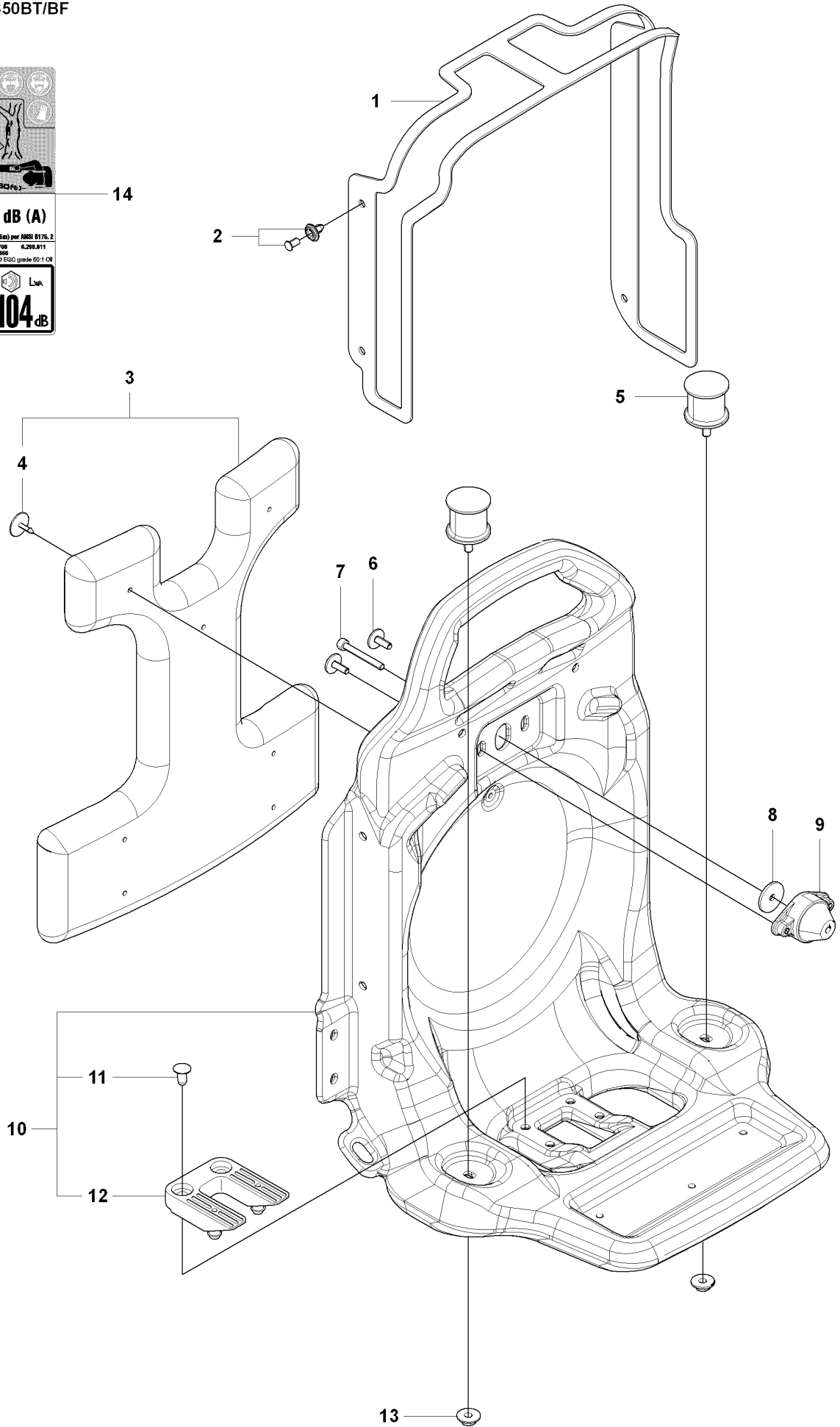


Ref	Part No	Description	Remark	QTY KIT
1	512 84 81-01	SCREW		3
2	511 80 52-01	FUNNEL		1
3	544 26 46-01	SCREW		2
4	512 84 81-01	SCREW		9
5	511 80 50-01	VOLUTE COVER		1
6	510 90 61-01	BOLT		4
7	502 85 02-01	FAN		1
8	514 18 39-01	NUT		2
9	504 12 23-01	CLIP		1
10	512 84 79-01	SCREW		1
11	521 52 51-01	CLAMP		1
12	512 84 79-01	SCREW		1
13	502 85 03-01	FAN HOUSING		1

N 350BT/BF



USA **71 dB (A)**
Category II
measured at 60 in. (1500) per ANSI S1.75.2
6.112.700 6.208.811
PATENT NO: 6.280.850
Use JANSO FO or ISO 550 grade 60-1 CR
N452
Lsk
CE
104 dB

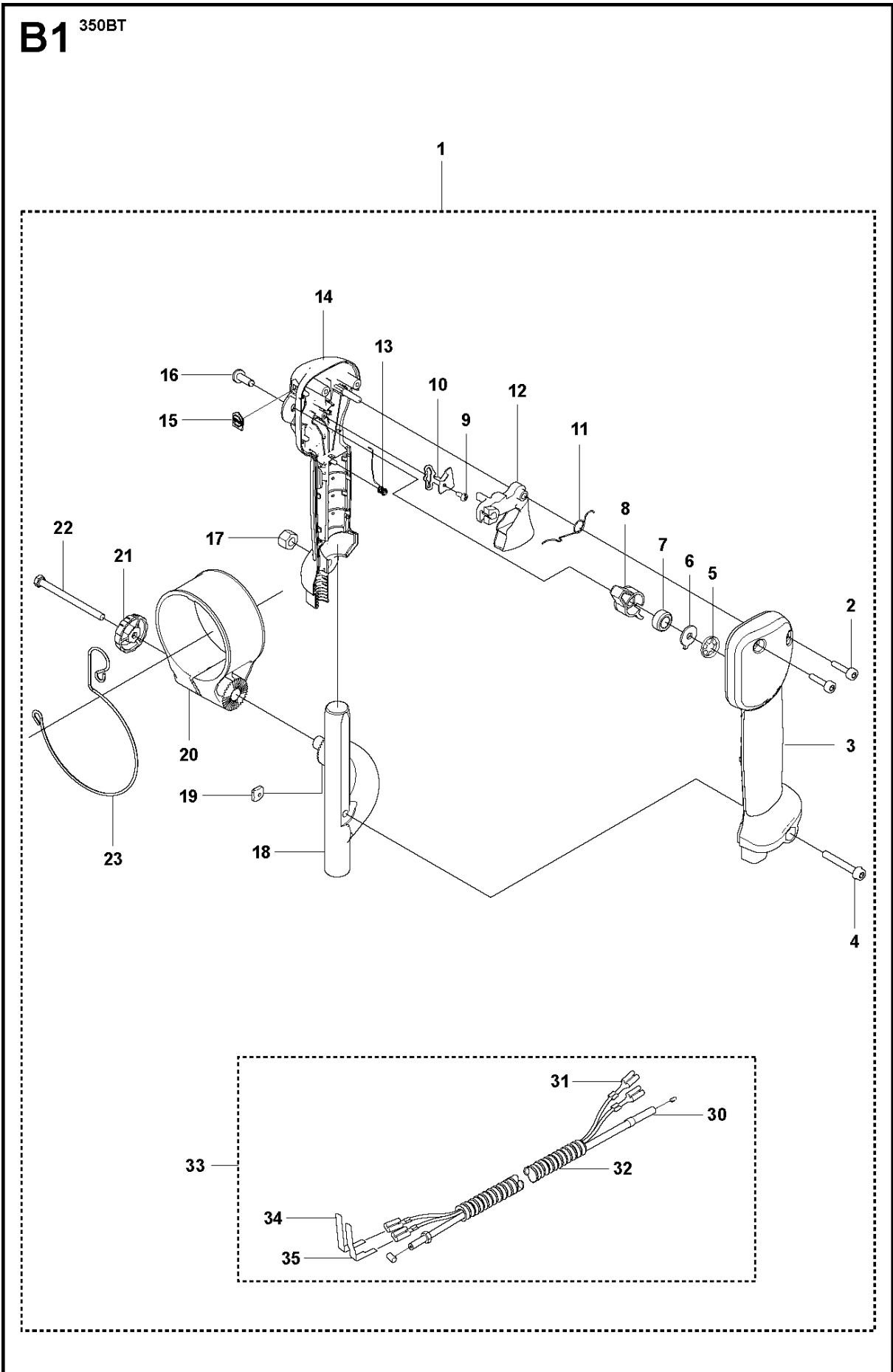


Ref	Part No	Description	Remark	QTY KIT
1	511 80 09-01	NET		1
2	544 27 04-01	CLIP		4
3	544 27 01-01	PAD COMP		1
4	544 27 02-01	CLIP		7
5	513 66 73-01	DAMPER		2
6	544 27 08-01	SCREW		2
7	521 51 72-01	BOLT		1
8	502 85 05-01	WASHER		1
9	513 66 67-01	DAMPER		1
10	502 85 06-01	FRAME		1
11	544 27 04-01	CLIP		2
12	511 80 20-01	CUSHION		1
13	513 66 75-01	NUT		2
14	579 42 08-01	DECAL		1

FUEL TANK

350 BT, 2009-03

Ref	Part No	Description	Remark	QTY KIT
1A	502 84 60-01	TANK ASSY	EU	1
1B	581 19 26-01	FUEL TANK	US	1
2	511 80 76-01	PIPE		1
3	506 70 70-01	CLIP		1
4	506 74 26-01	FILTER		1
5	504 11 77-01	TANK CAP ASSY		1
6	506 74 68-01	FILTER		1
7	506 74 43-01	PACKING		1
8	504 11 79-01	HOLDER		1
9	515 36 94-01	HOLDER		1
11	502 84 62-02	DECAL		1
12	506 74 15-01	CLIP		1

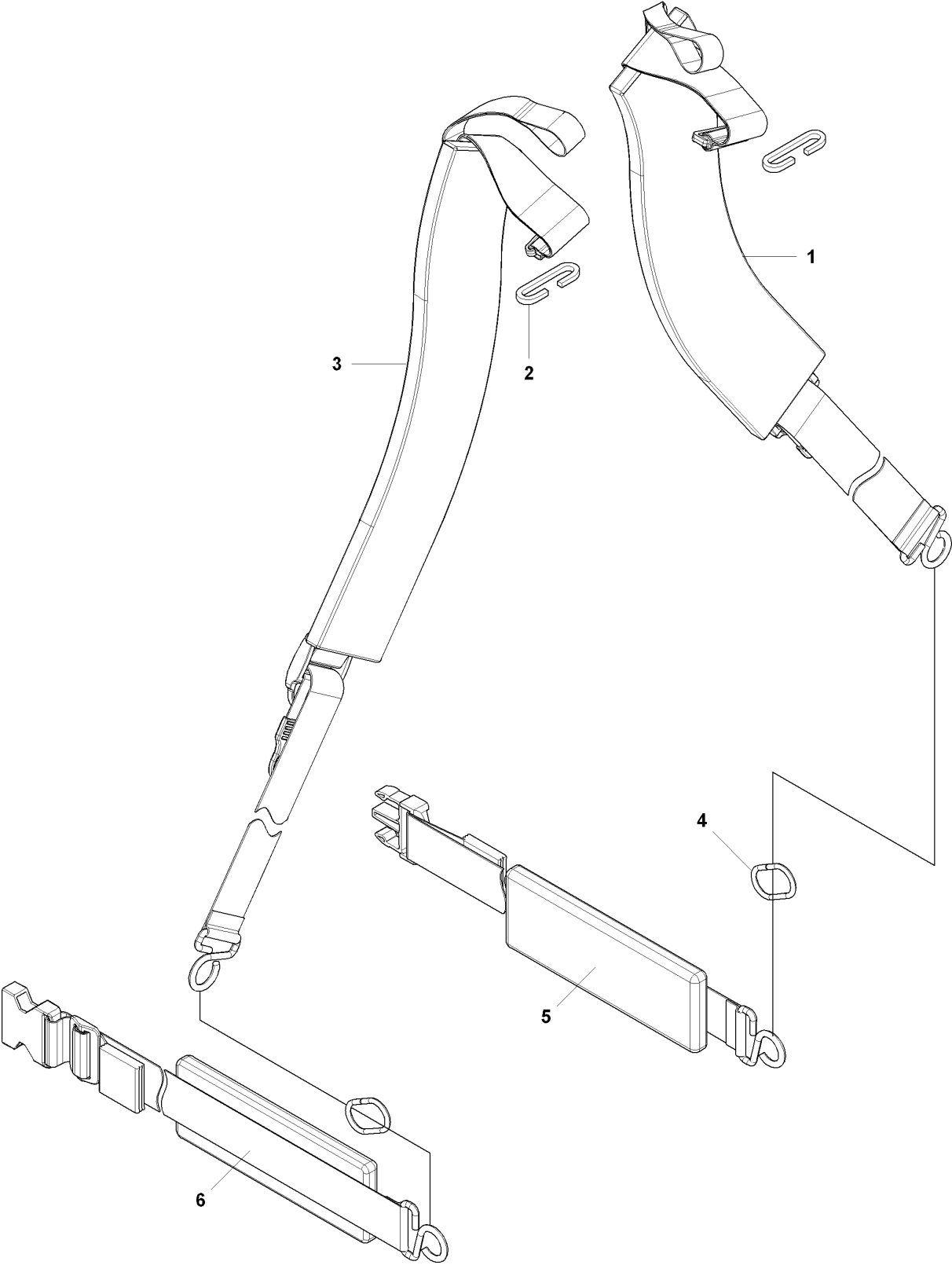


HANDLE & CONTROLS

350 BT, 2009-03

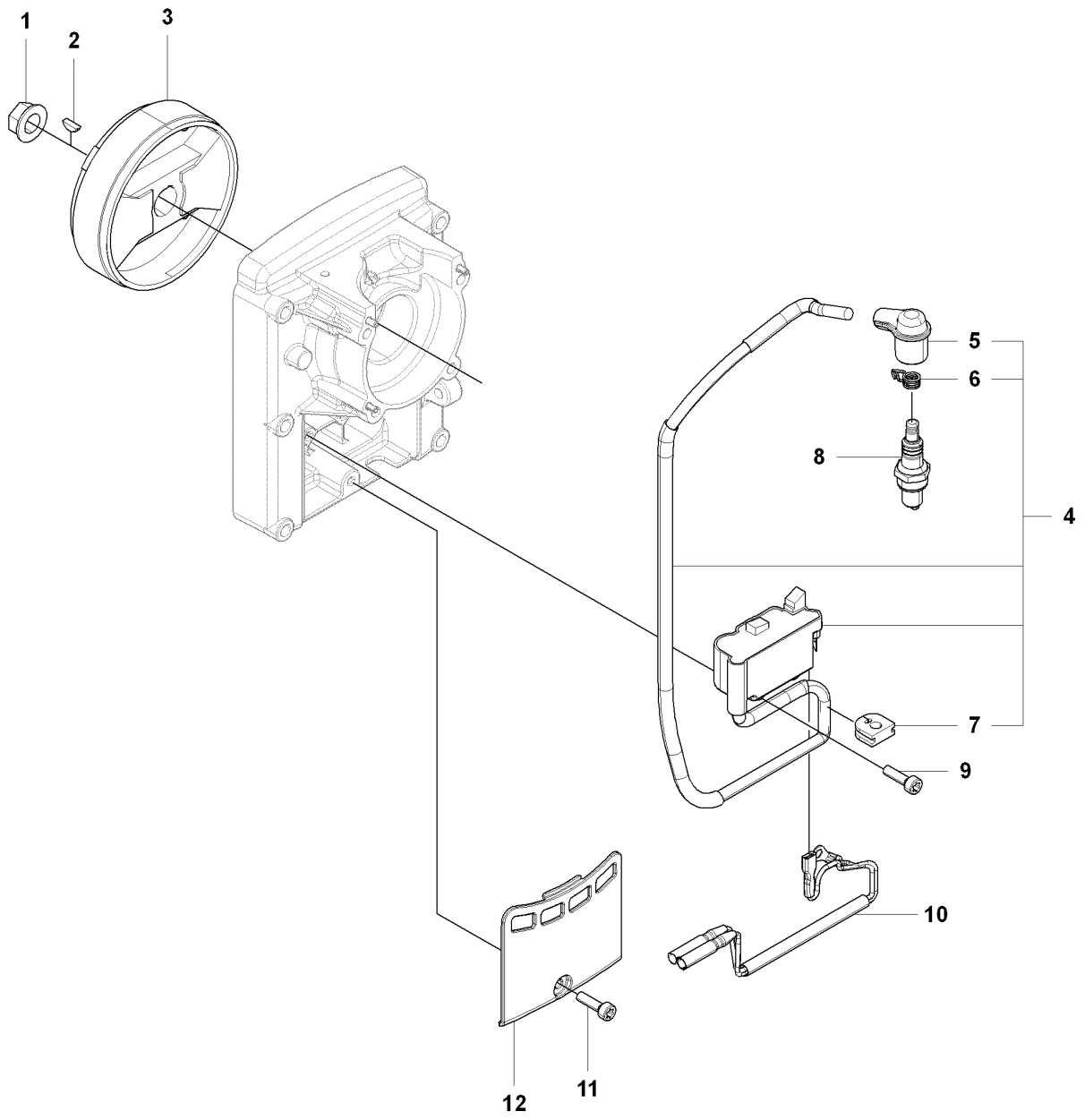
Ref	Part No	Description	Remark	QTY KIT
1	522 51 91-01	HANDLE ASSY		1
2	505 29 12-01	SCREW		2
3	502 24 49-01	HANDLE HALF		1
4	505 29 08-01	SCREW		1
5	735 58 35-01	WASHER		1
6	505 18 15-01	WASHER		1
7	537 37 39-01	SPRING		1
8	502 24 55-01	CONTROL		1
9	505 29 10-01	SCREW		1
10	502 24 60-01	RETAINER		1
11	537 17 42-01	SPRING THROTTLE TRIG		1
12	502 24 54-01	TRIGGER		1
13	505 56 79-01	SPRING		1
14	502 24 48-01	HANDLE HALF		1
15	502 64 17-01	PLATE		1
16	537 14 12-03	SHAFT PIVOT		1
17	510 91 12-01	NUT		1
18	502 24 53-01	HOLDER		1
19	503 22 65-01	SQUARE NUT		1
20	511 67 50-01	HOLDER		1
21	504 80 03-01	TURNING KNOB		1
22	725 23 44-51	SCREW EHHM		1
23	502 84 28-01	CLAMP		1
30	522 48 31-01	CABLE		1
31	522 48 30-01	CORD		1
32	522 48 34-01	TUBE		1
33	575 99 38-01	WIRING ASSY		1
34	537 22 63-01	CONNECTOR		1
35	537 22 62-01	CONNECTOR		1

P 350BT/BF



Ref	Part No	Description	Remark	QTY KIT
1	511 80 29-01	BAND		1
2	544 27 00-01	CLIP		2
3	511 80 30-01	BAND		1
4	514 33 16-01	RING		2
5	511 80 36-01	BAND		1
6	511 80 38-01	BAND		1

H 350BT/BF

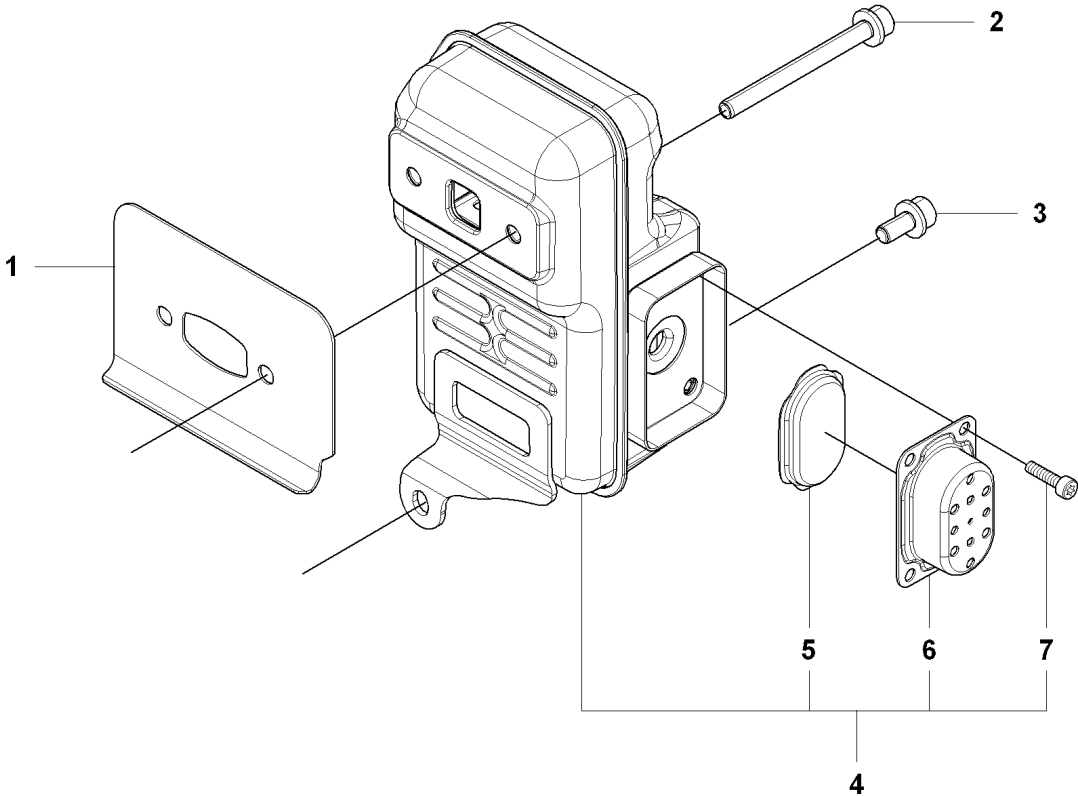


IGNITION SYSTEM

350 BT, 2009-03

Ref	Part No	Description	Remark	QTY KIT
1	586 49 64-01	NUT		1
2	506 68 94-01	KEY		1
3	502 84 63-01	FLYWHEEL		1
4	581 17 77-01	COIL		1
5	512 44 40-01	HUB CAP		1
6	504 11 82-01	SPRING		1
7	515 41 53-01	GROMMET		1
8	581 36 23-01	SPARK PLUG		1
9	581 37 88-01	BOLT		2
10	505 18 37-01	CORD		1
11	581 37 88-01	BOLT		1
12	513 66 39-01	COVER		1

F 350BT/BF

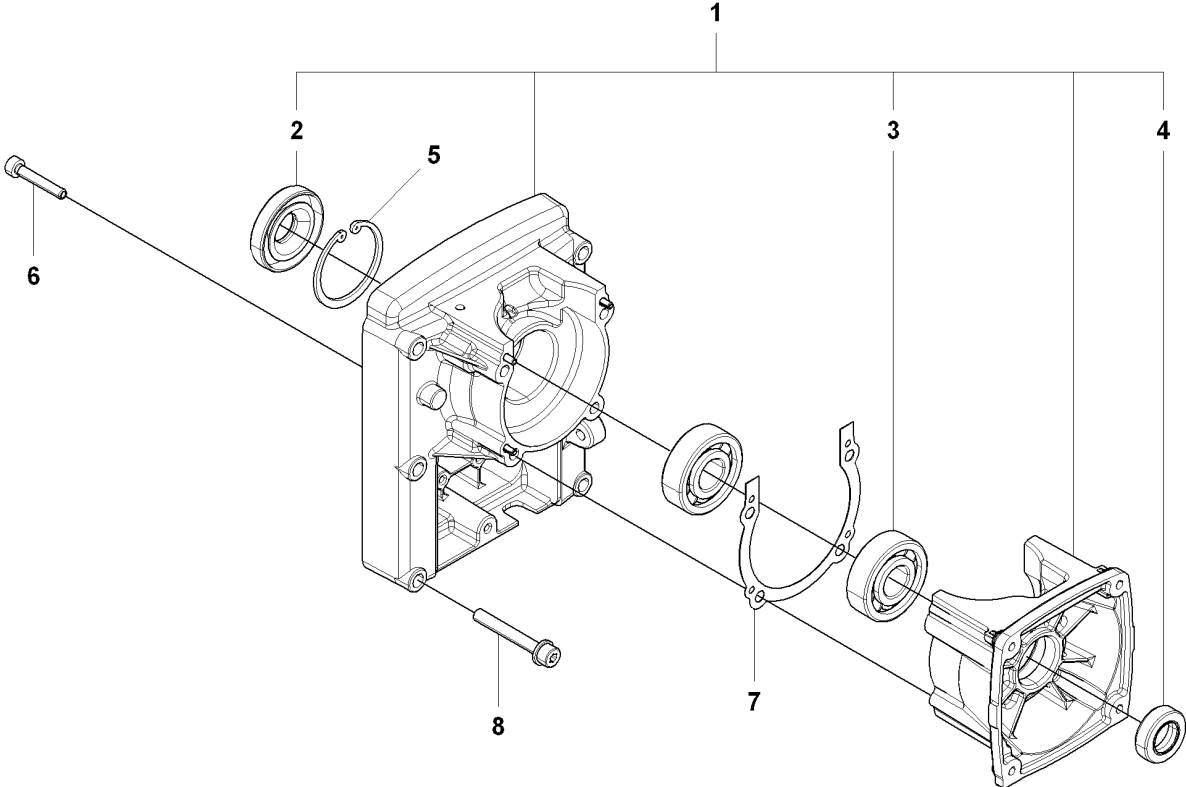


MUFFLER

350 BT, 2009-03

Ref	Part No	Description	Remark	QTY KIT
1	511 49 42-01	GASKET		1
2	584 63 39-01	BOLT		2
3	586 49 61-01	BOLT		1
4	502 84 57-01	MUFFLER ASSY		1
5	502 84 58-01	SPARK ARRESTER SCREEN		1
6	502 84 59-01	EXHAUST DUCT		1
7	584 27 36-01	BOLT		4

K 350BT/BF

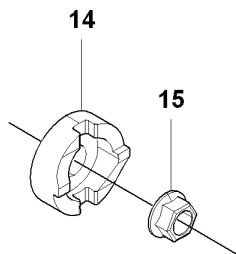
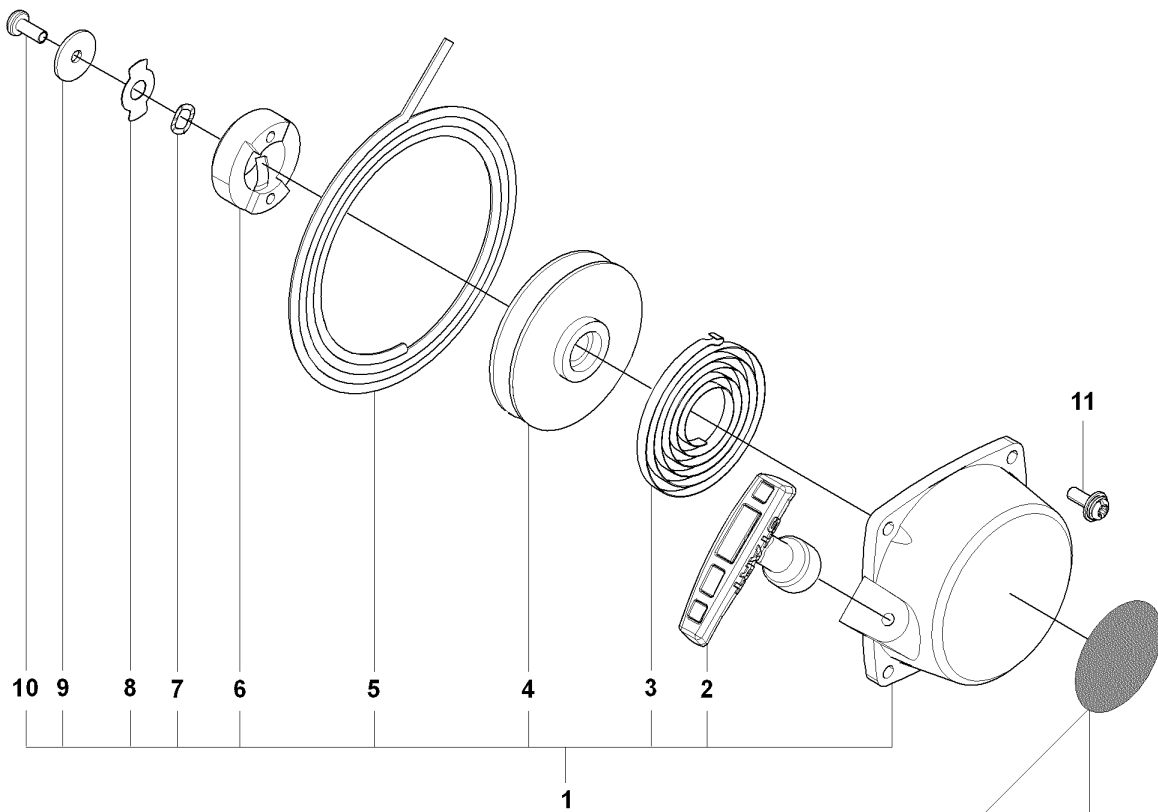


PISTON & CRANKSHAFT

350 BT, 2009-03

Ref	Part No	Description	Remark	QTY KIT
1	502 84 89-01	CRANKCASE		1
2	502 84 90-01	SEALING		1
3	576 69 61-01	BALL BEARING		2
4	502 84 92-01	SEALING		1
5	510 55 13-01	RING		1
6	586 49 62-01	BOLT		4
7	502 84 94-01	GASKET		1
8	576 81 04-01	BOLT		1

D 350BT/BF



12



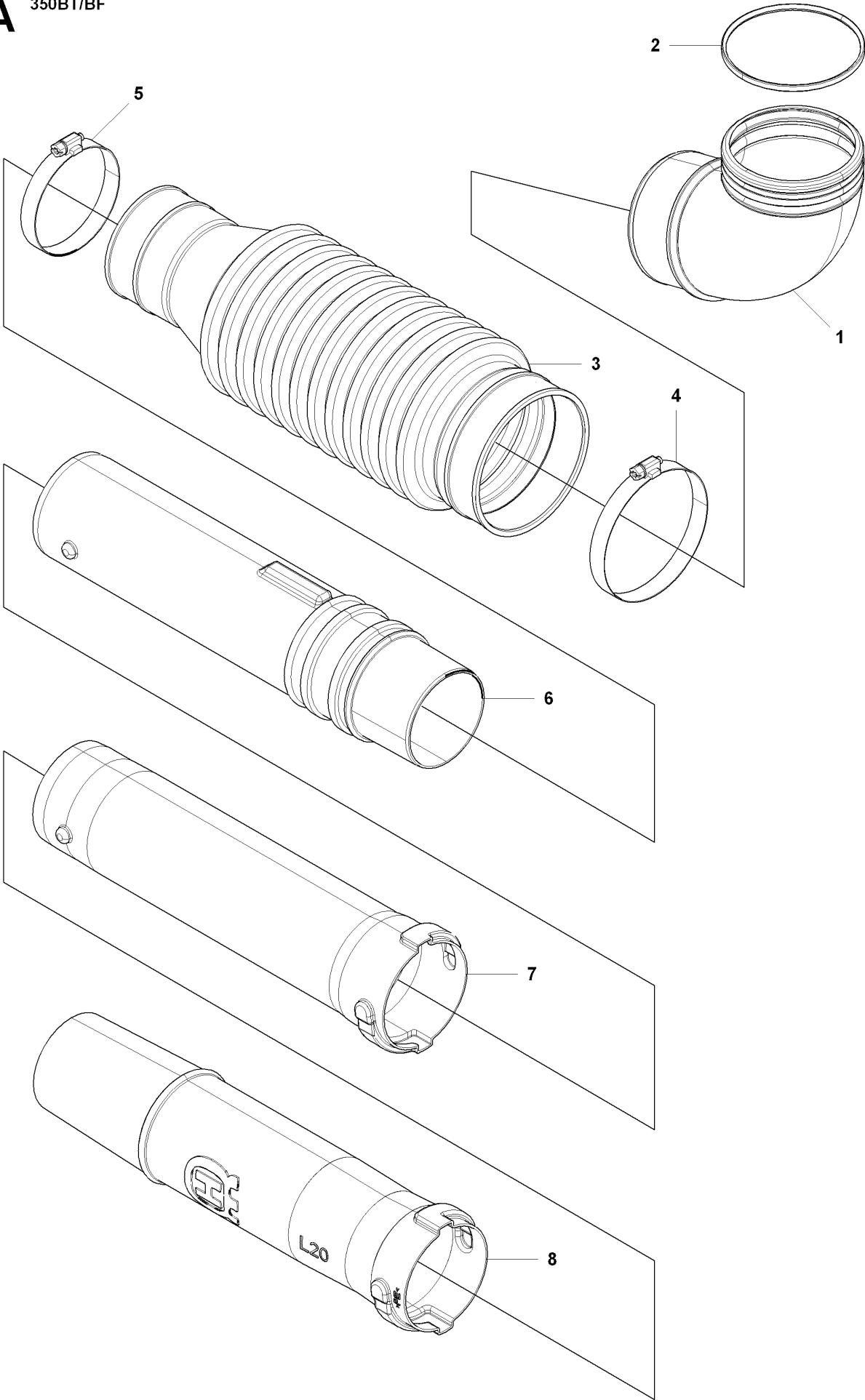
13

STARTER

350 BT, 2009-03

Ref	Part No	Description	Remark	QTY KIT
1	502 84 31-01	STARTER ASSY		1
2	502 84 32-01	KNOB		1
3	502 84 33-01	SPRING		1
4	502 84 34-01	STARTER PULLEY		1
5	502 84 35-01	CORD		1
6	504 55 48-01	STARTER PAWL		1
7	502 84 36-01	WASHER		1
8	504 55 49-01	RETAINER		1
9	502 84 37-01	WASHER		1
10	502 84 38-01	SCREW		1
11	586 49 65-01	SCREW		4
12	502 84 40-03	LABEL.RECOIL		1
13	502 84 41-02	LABEL.RECOIL		1
14	513 28 88-01	PULLEY		1
15	586 49 64-01	NUT		1

A 350BT/BF



TUBE

350 BT, 2009-03

Ref	Part No	Description	Remark	QTY KIT
1	577 07 87-02	ELBOW		1
2	581 45 19-01	O-RING		1
3	577 07 88-01	PIPE		1
4	544 27 41-01	CLAMP		1
5	504 06 49-01	CLAMP		1
6	577 07 89-01	TUBE		1
7	577 07 93-01	TUBE		2
8	504 06 46-01	TUBE		1