



Rider 15V2 AWD

Rider 15V2s AWD

Spare parts

Ersatzteile

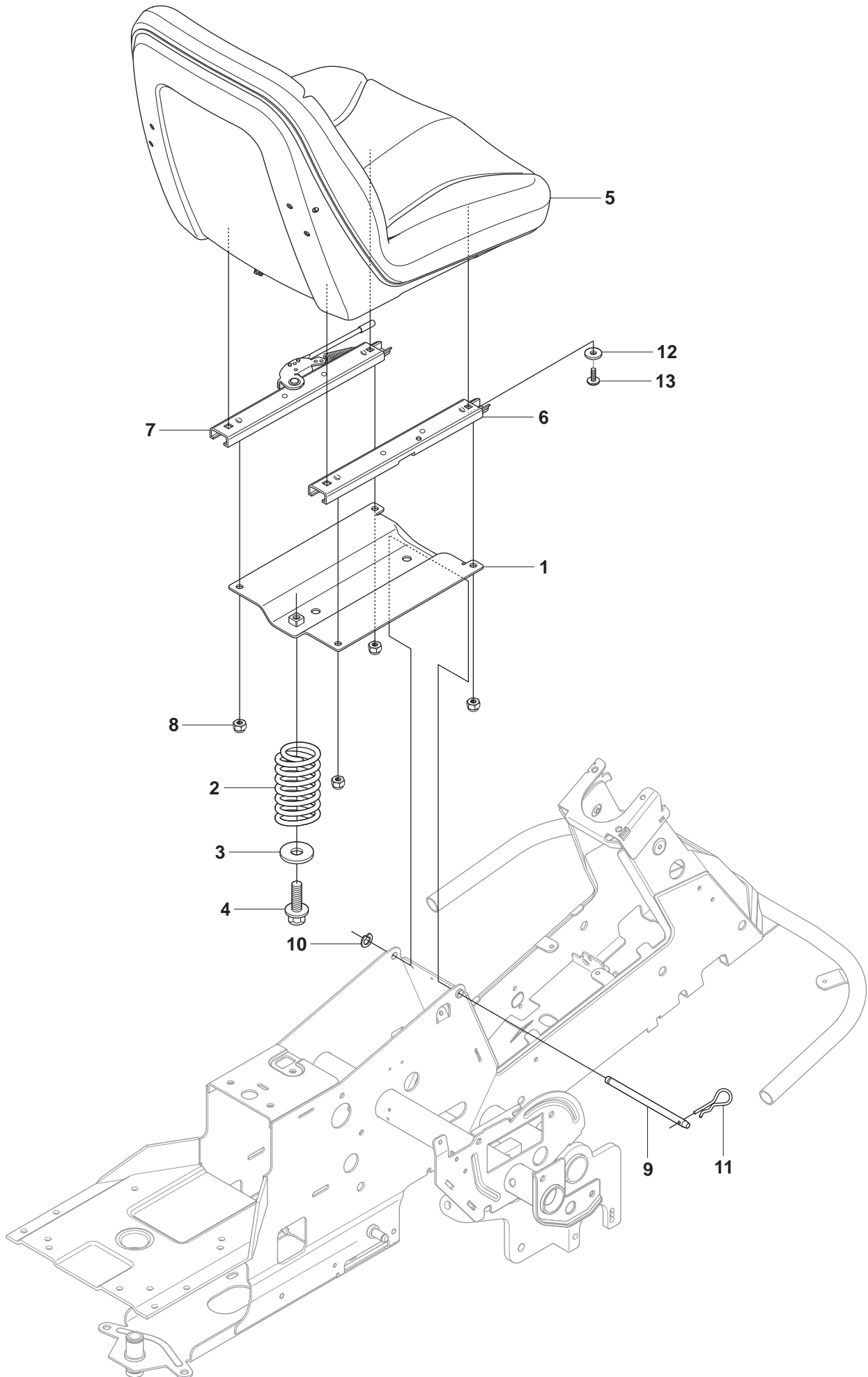
Pièces détachées

Reserve onderdelen

Repuestos

Reservdelar

A Rider R15V2 AWD, Rider R15V2s AWD
SEAT, TS2800

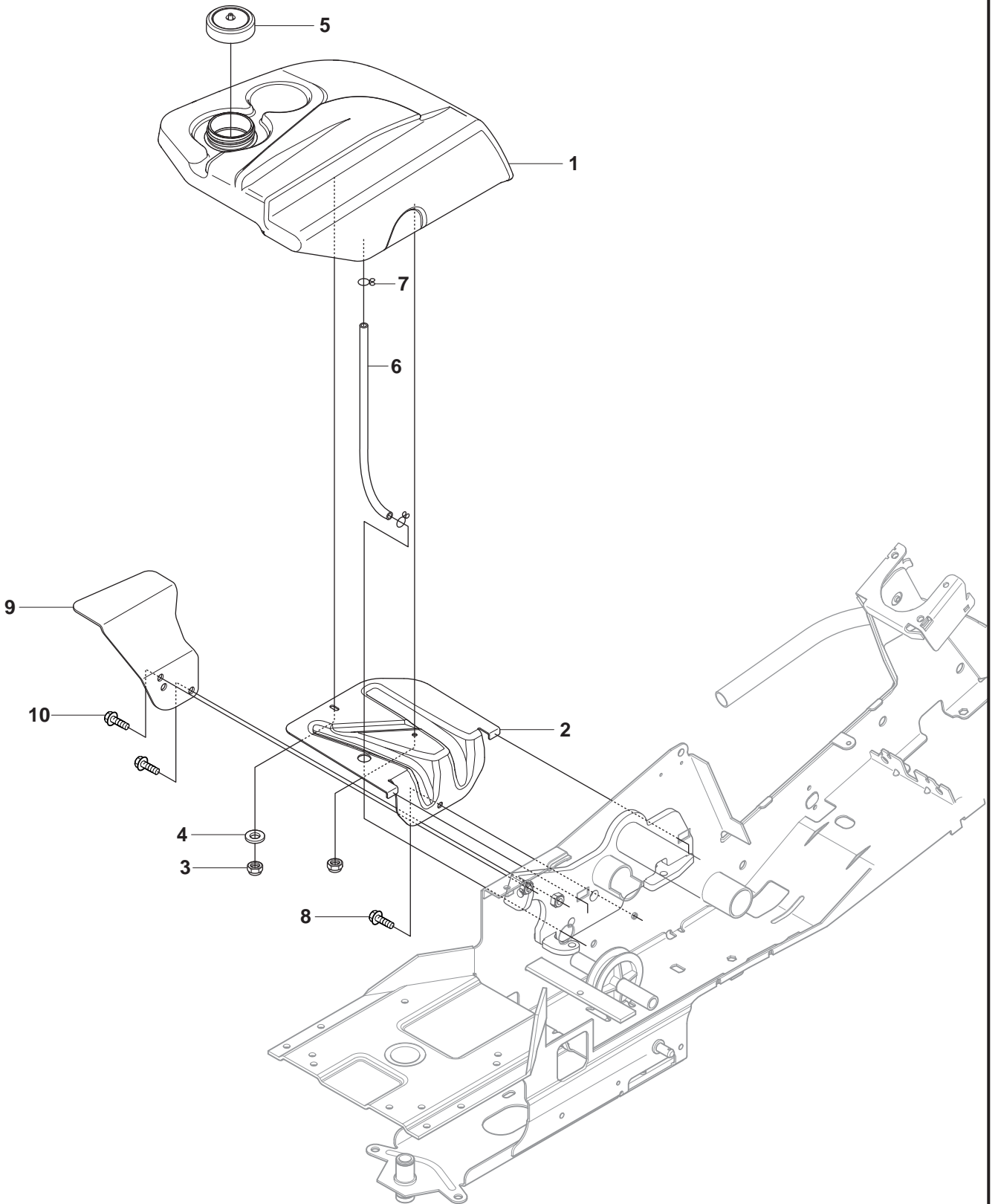




Rider R15V2 AWD, Rider R15V2s AWD
SEAT, TS2800

Pos.	Compl No.	Part No.	Description	Qty.	Notes
1		544 32 85-01		1	
2		506 91 53-01		1	
3		734 11 74-41		1	
4		725 24 93-71		1	
5		544 43 34-01		1	
6		506 99 69-01		1	
7		506 99 69-02		1	
8		732 21 18-01		4	
9		506 50 99-01		1	
10		735 31 12-00		1	
11		506 66 88-01		1	
12		535 40 18-01		4	
13		874 78 05-12		4	

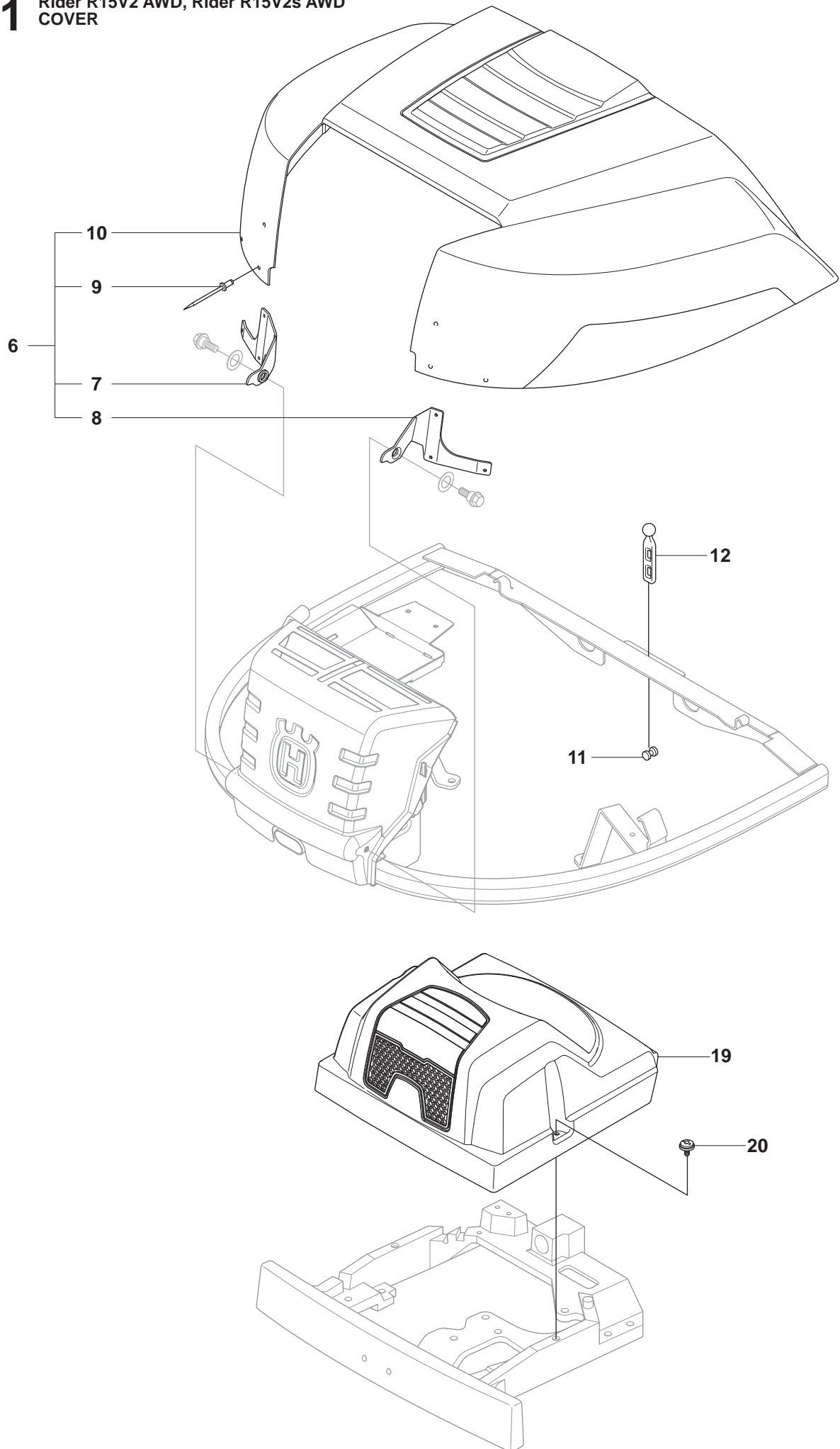
B Rider R15V2 AWD, Rider R15V2s AWD
FUEL SYSTEM



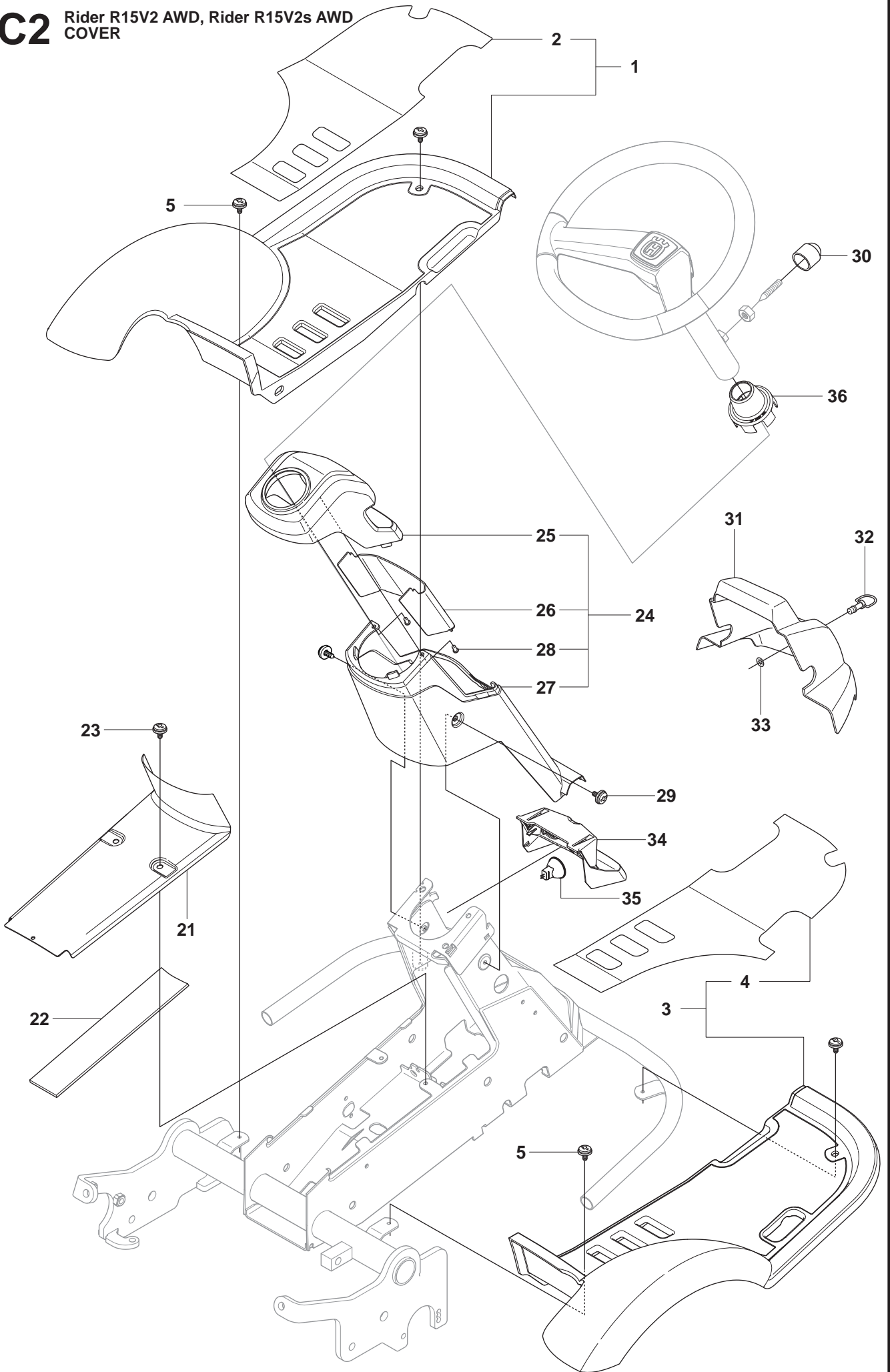
B**Rider R15V2 AWD, Rider R15V2s AWD
FUEL SYSTEM**

Pos.	Compl No.	Part No.	Description	Qty.	Notes
1		535 50 13-01		1	
2		544 32 93-01		1	
3		732 21 16-01		2	
4		734 11 56-01		1	
5		506 67 33-01		1	
6		506 94 67-03		1	
7		535 46 97-01		2	
8		725 23 64-61		1	
9		501 02 03-01		1	
10		725 24 93-71		2	

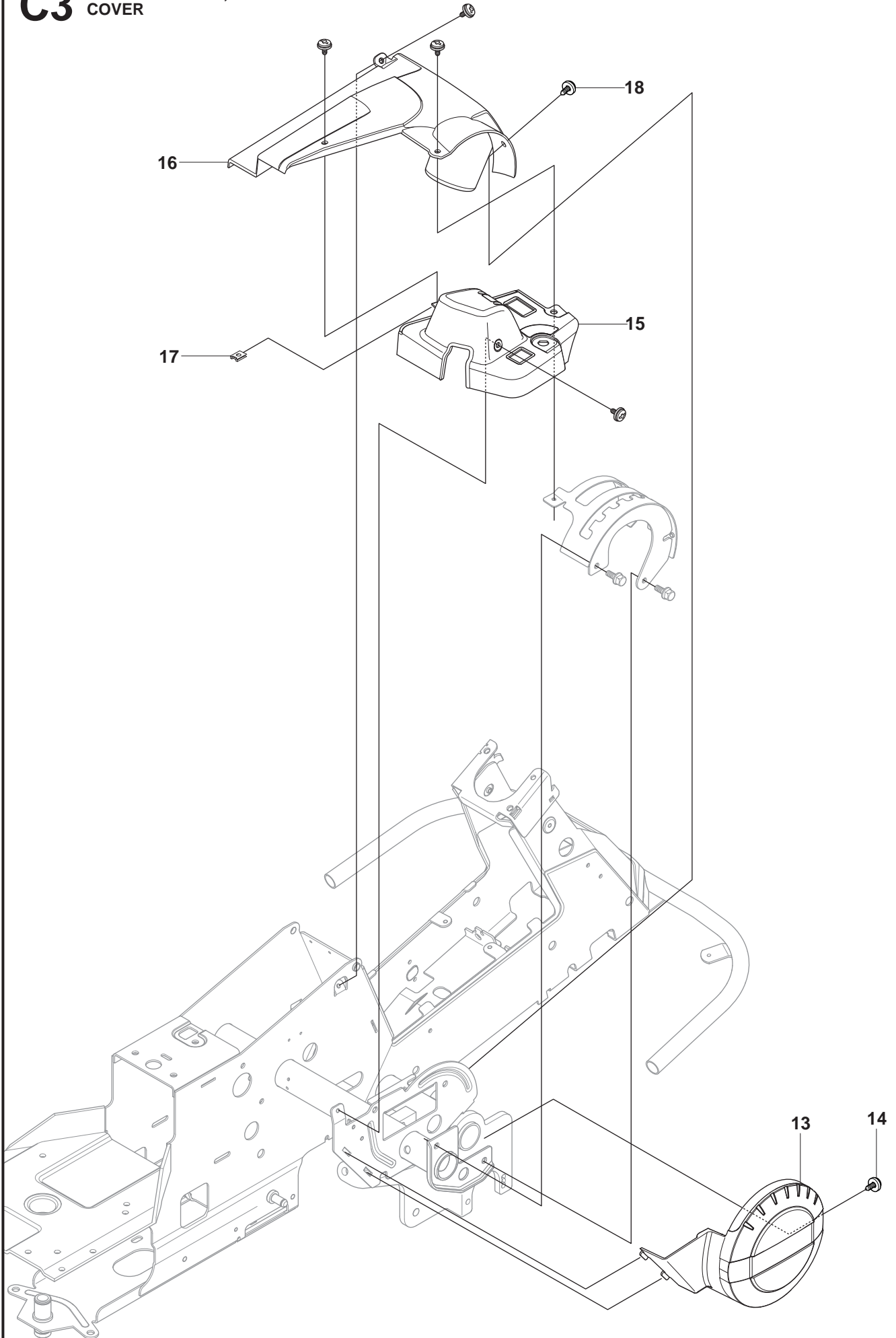
C1 Rider R15V2 AWD, Rider R15V2s AWD
COVER



C2 Rider R15V2 AWD, Rider R15V2s AWD
COVER



C3 Rider R15V2 AWD, Rider R15V2s AWD
COVER

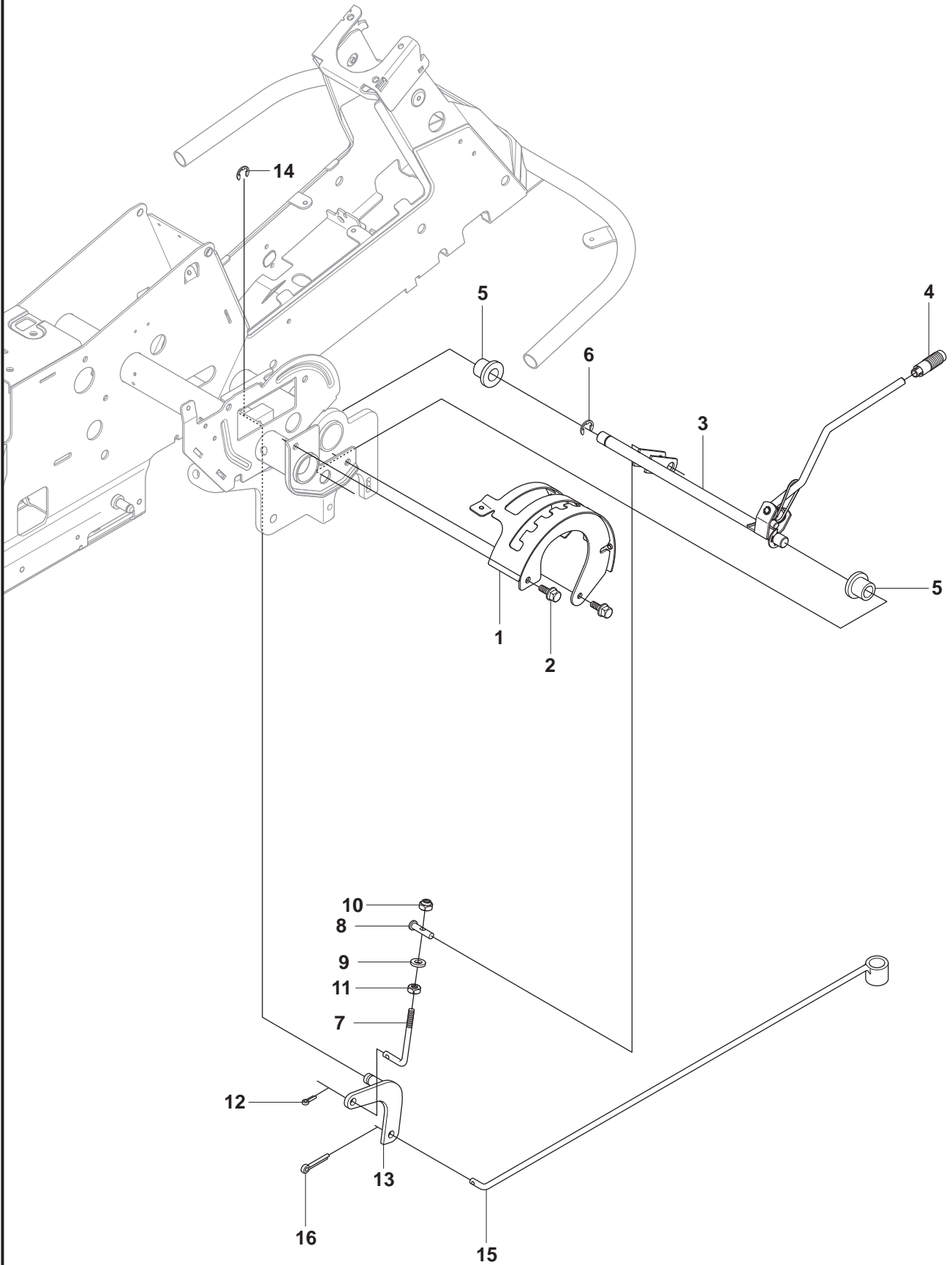




Rider R15V2 AWD, Rider R15V2s AWD
COVER

Pos.	Compl No.	Part No.	Description	Qty.	Notes
1		544 89 59-01		1	
2	544 89 59-01	544 24 84-01		1	
3		544 89 59-03		1	
4	544 89 59-03	544 24 84-03		1	
5		544 40 05-01		4	
6		544 24 50-01		1	
7	544 24 50-01	544 24 51-01		1	LEFT
8	544 24 50-01	544 24 51-02		1	RIGHT
9	544 24 50-01	722 79 54-02		6	
10	544 24 50-01	544 24 52-01		1	
11		506 59 95-01		1	
12		506 59 96-01		1	
13		535 50 25-01		1	
14		544 40 05-01		1	
15		544 33 21-01		1	
16		544 33 22-02		1	
17		535 42 91-01		1	
18		544 40 05-01		4	
19		544 37 39-01		1	
20		544 40 05-01		2	
21		544 23 92-01		1	
22		544 42 75-01		1	
23		544 40 05-01		2	
24		502 49 82-01		1	
25	502 49 82-01	502 29 75-01		1	
26	502 49 82-01	502 46 58-01		1	
27	502 49 82-01	502 29 76-01		1	
28	502 49 82-01	729 53 27-71		2	
29		544 40 05-01		2	
30		544 43 32-01		1	
31		535 43 39-01		1	
32		506 96 35-01		1	
33		506 96 36-01		1	
34		502 30 02-01		1	
35		502 46 66-01		2	
36		535 46 05-01		1	

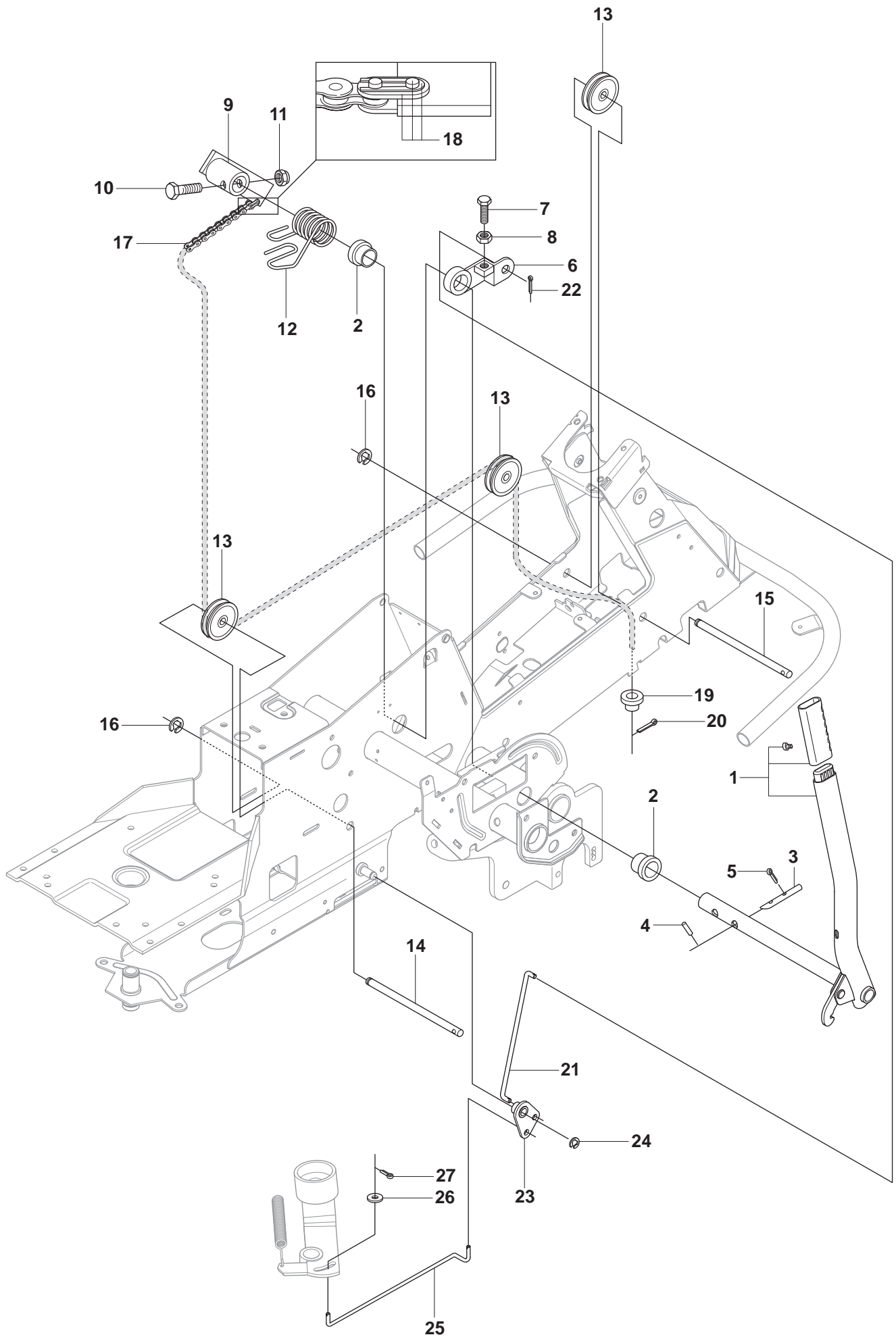
D Rider R15V2 AWD, Rider R15V2s AWD
HEIGHT ADJUSTMENT



D**Rider R15V2 AWD, Rider R15V2s AWD
HEIGHT ADJUSTMENT**

Pos.	Compl No.	Part No.	Description	Qty.	Notes
1		535 50 14-01		1	
2		506 57 01-03		2	
3		504 73 45-01		1	
4		506 54 20-01		1	
5		506 55 43-01		2	
6		735 31 22-20		1	
7		506 90 82-01		1	
8		506 78 46-01		1	
9		734 11 72-01		1	
10		732 21 18-01		1	
11		731 23 18-01		1	
12		721 61 83-01		1	
13		506 99 83-01		1	
14		735 31 15-20		1	
15		506 97 51-01		1	
16		721 61 83-01		1	

E Rider R15V2 AWD, Rider R15V2s AWD
MOWER LIFT

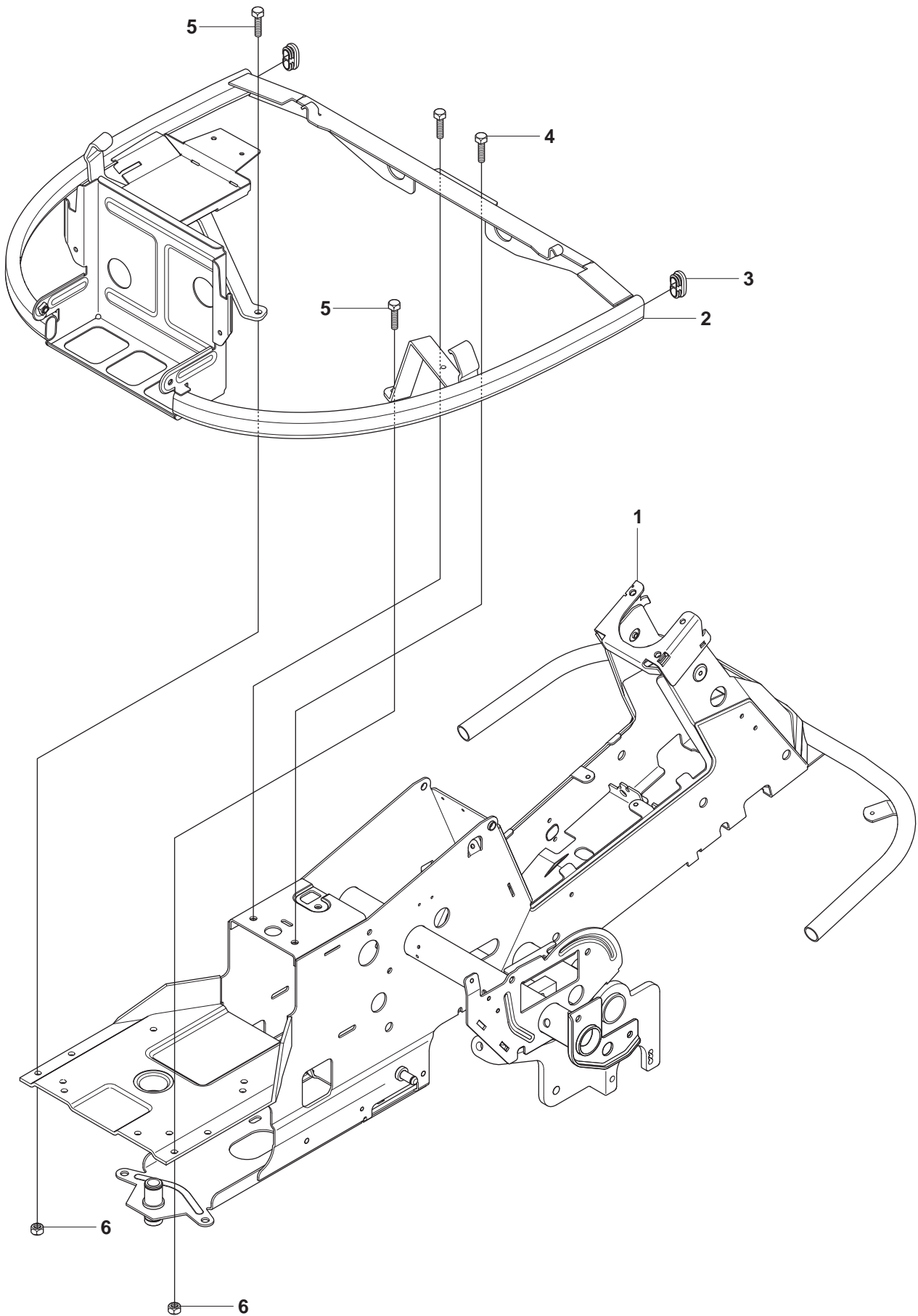




Rider R15V2 AWD, Rider R15V2s AWD
MOWER LIFT

Pos.	Compl No.	Part No.	Description	Qty.	Notes
1		501 01 86-01		1	
2		506 55 65-01		2	
3		506 90 53-01		1	
4		721 12 59-30		1	
5		721 61 83-01		1	
6		506 78 43-01		1	
7		725 24 97-51		1	
8		731 23 20-51		1	
9		506 90 54-01		1	
10		725 25 42-51		1	
11		732 25 22-01		1	
12		506 91 68-01		1	
13		506 90 56-01		2	
14		506 90 57-01		1	
15		506 90 57-02		1	
16		735 31 18-20		2	
17		506 55 46-07		1	
18		506 55 47-01		1	
19		506 90 59-01		1	
20		721 61 87-01		1	
21		544 45 69-01		1	
22		721 61 83-01		1	
23		544 37 86-01		1	
24		735 31 14-20		1	
25		544 44 88-01		1	
26		734 11 64-41		1	
27		721 61 83-01		1	

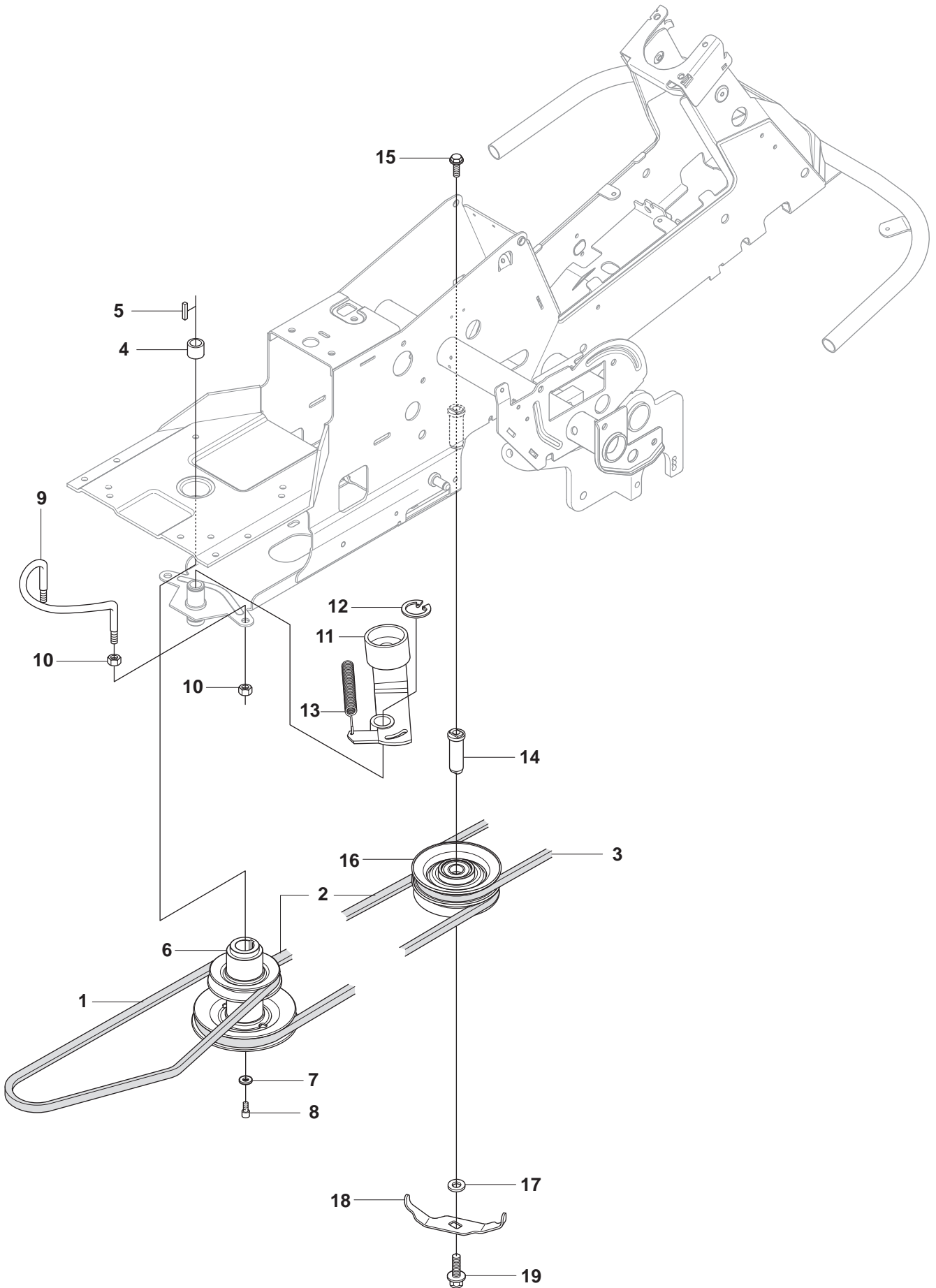
F Rider R15V2 AWD, Rider R15V2s AWD
CHASSIS



F**Rider R15V2 AWD, Rider R15V2s AWD
CHASSIS**

Pos.	Compl No.	Part No.	Description	Qty.	Notes
1		502 65 56-01		1	
2		544 24 42-01		1	
3		544 24 44-01		2	
4		506 57 01-03		2	
5		725 24 51-71		2	
6		732 21 18-01		2	

G Rider R15V2 AWD, Rider R15V2s AWD
TRANSMISSION



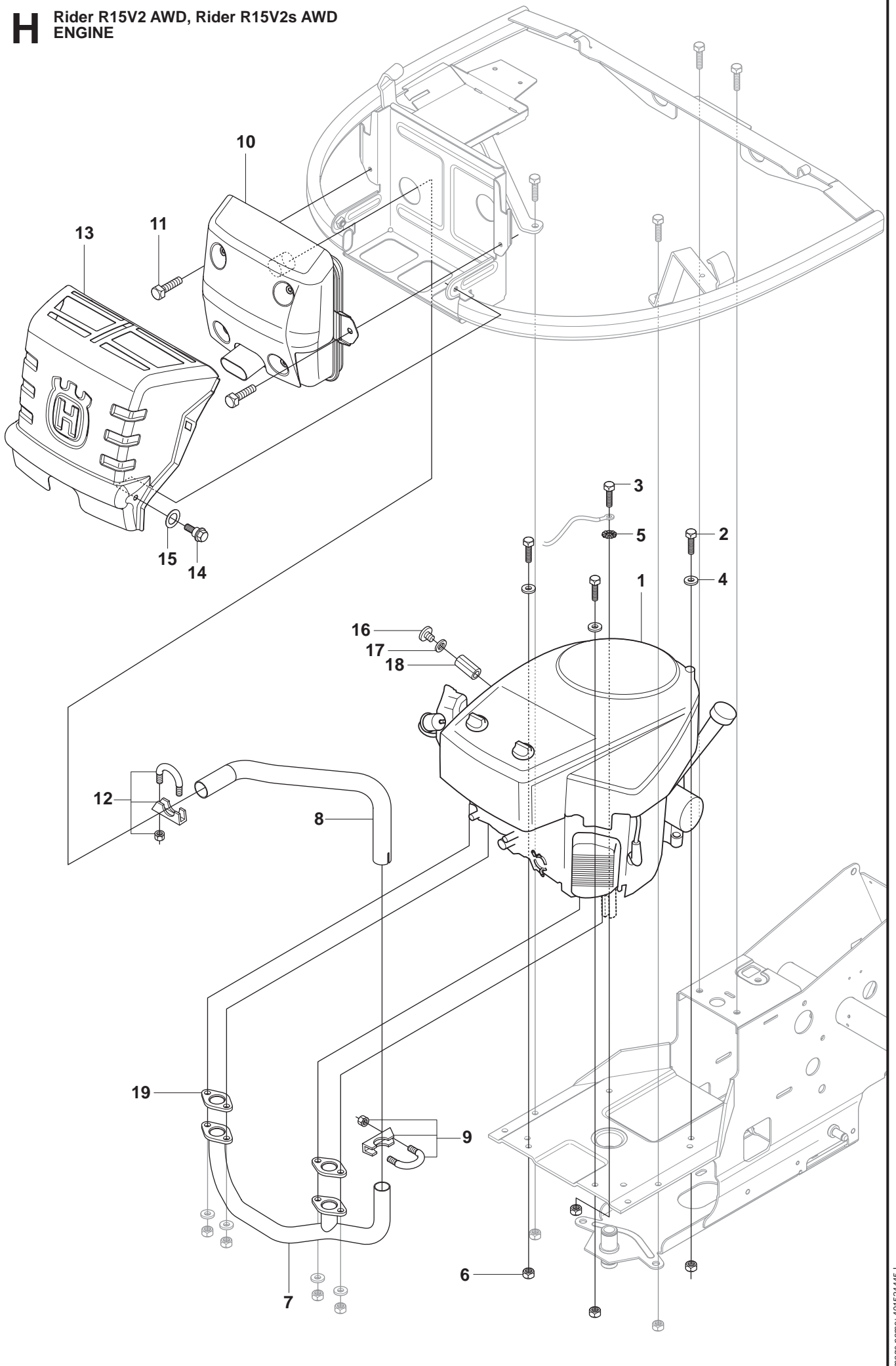


Rider R15V2 AWD, Rider R15V2s AWD
TRANSMISSION

Pos.	Compl No.	Part No.	Description	Qty.	Notes
1		506 98 83-01		1	
2		544 40 02-01		1	
3		535 41 19-01		1	
4		506 50 92-01		1	
5		506 55 59-01		1	
6		535 48 24-01		1	
7		506 59 75-01		1	
8		506 55 60-02		1	
9		506 66 45-01		1	
10		731 23 20-51		4	
11		535 48 44-01		1	
12		735 31 26-00		1	
13		506 66 56-01		1	
14		544 42 61-01		1	
15		506 67 54-02		1	
16		535 48 22-01		1	
17		506 77 57-01		1	
18		544 40 53-01		1	
19		506 57 01-05		1	



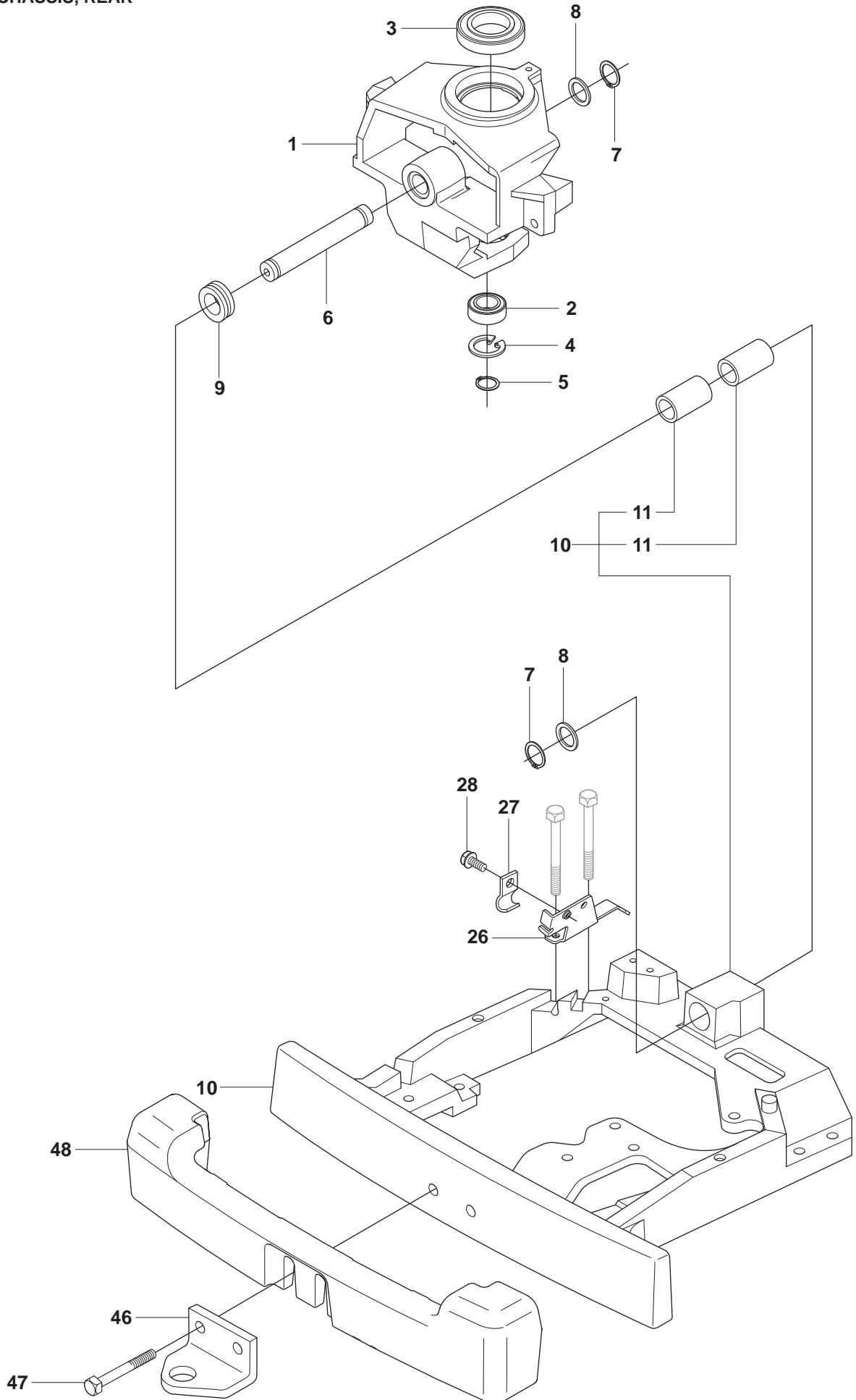
Rider R15V2 AWD, Rider R15V2s AWD
ENGINE





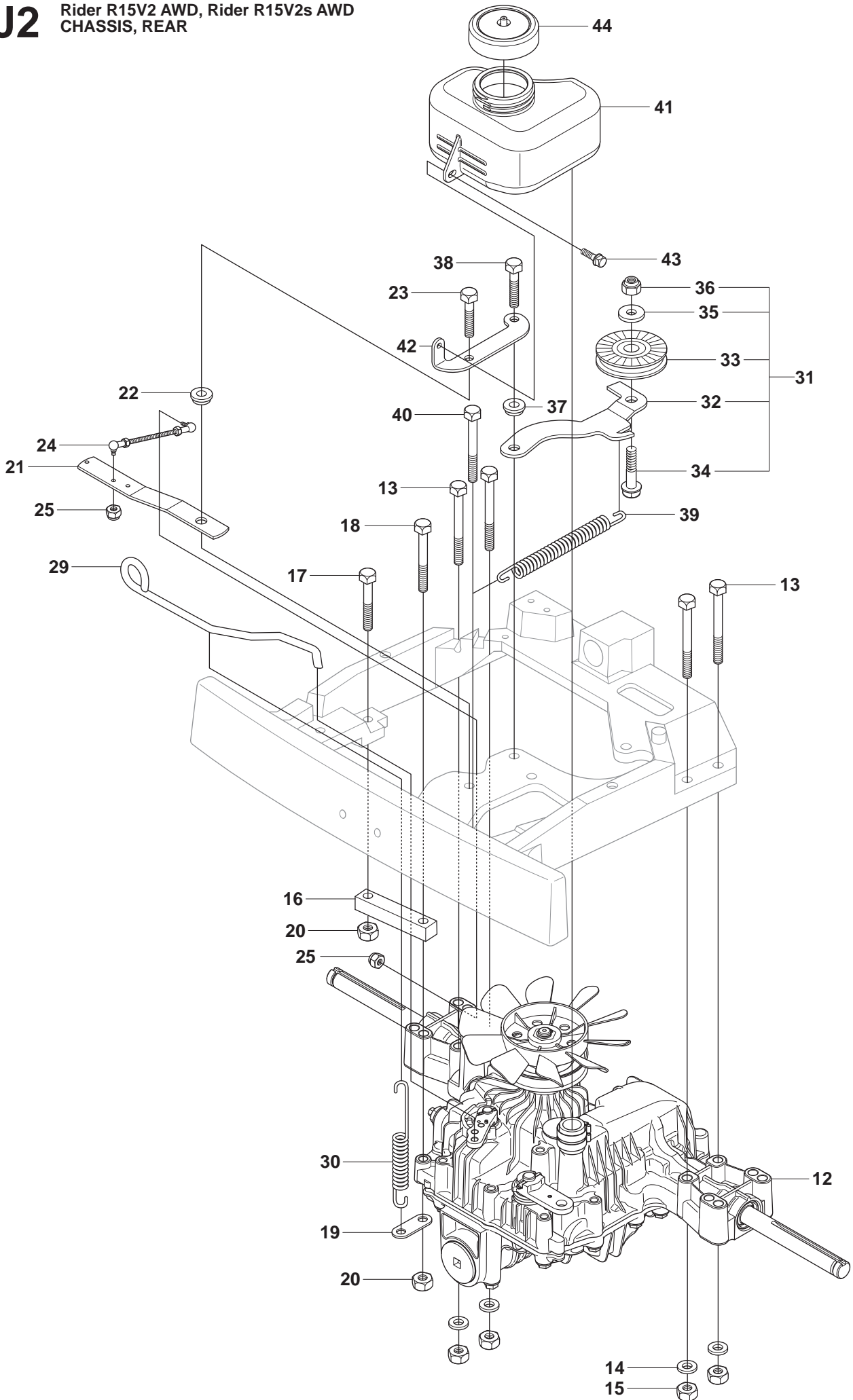
Rider R15V2 AWD, Rider R15V2s AWD
ENGINE

Pos.	Compl No.	Part No.	Description	Qty.	Notes
1		535 45 19-01		1	
2		725 24 57-51		3	
3		725 24 59-51		1	
4		734 11 64-01		3	
5		735 21 64-00		1	
6		732 21 18-01		4	
7		535 44 79-01		1	
8		544 01 33-01		1	
9		506 66 84-01		1	
10		544 33 57-02		1	
11		725 23 64-61		2	
12		506 66 84-01		1	
13		544 24 83-01		1	
14		506 59 74-01		2	
15		506 83 94-01		2	
16	535 45 19-01	535 41 44-60		1	
17	535 45 19-01	531 00 11-90		1	
18	535 45 19-01	535 41 44-16		1	
19	535 45 19-01	535 41 42-36		2	

J1**Rider R15V2 AWD, Rider R15V2s AWD
CHASSIS, REAR**

J2

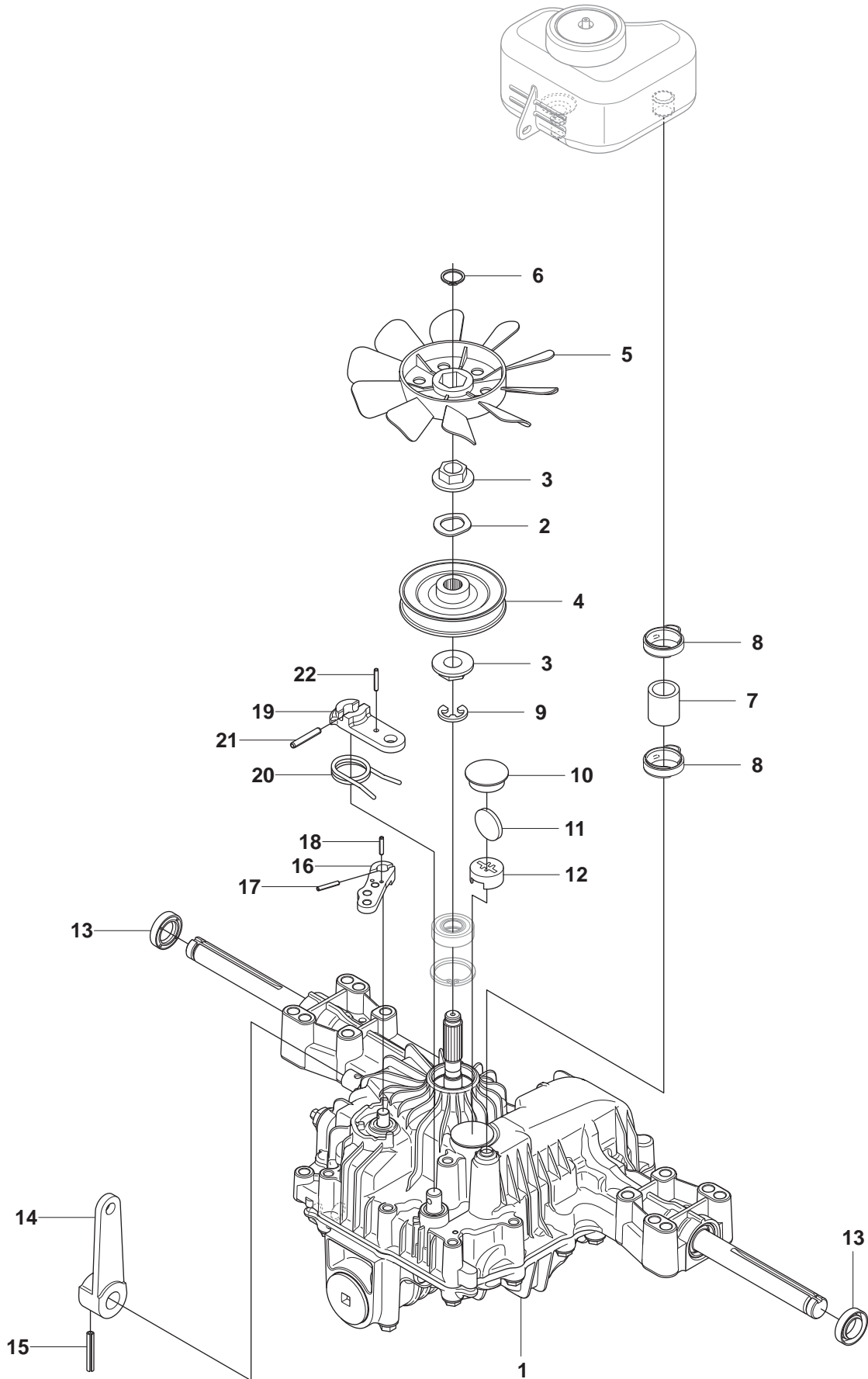
Rider R15V2 AWD, Rider R15V2s AWD CHASSIS, REAR



J**Rider R15V2 AWD, Rider R15V2s AWD
CHASSIS, REAR**

Pos.	Compl No.	Part No.	Description	Qty.	Notes
1		506 98 58-03		1	
2		738 21 05-04		1	
3		738 21 10-04		1	
4		735 31 40-10		1	
5		735 31 26-00		1	
6		506 98 59-01		1	
7		735 31 26-00		2	
8		506 77 34-01		2	
9		740 68 14-21		1	
10		535 40 60-01		1	
11	535 40 60-01	506 98 61-02		2	
12		544 11 61-01		1	R15V2 AWD
12		502 63 32-01		1	R15V2s AWD
13		725 24 67-51		4	
14		734 11 64-01		4	
15		731 23 18-01		4	
16		506 98 72-01		1	
17		725 24 59-51		1	
18		725 24 62-51		1	
19		506 59 93-01		1	
20		731 23 18-01		2	
21		506 98 74-03		1	
22		506 91 87-02		1	
23		725 24 51-51		1	
24		506 98 75-01		1	
25		732 21 14-01		2	
26		544 26 21-01		1	
27		506 56 65-01		1	
28		725 23 64-61		1	
29		506 98 82-01		1	
30		506 83 43-01		1	
31		506 98 84-01		1	
32	506 98 84-01	506 98 85-01		1	
33	506 98 84-01	506 94 69-01		1	
34	506 98 84-01	725 24 55-51		1	
35	506 98 84-01	734 11 64-41		1	
36	506 98 84-01	732 21 18-01		1	
37		506 91 87-02		1	
38		725 24 51-51		1	
39		506 98 86-01		1	
40		725 24 64-51		1	
41		544 10 01-01		1	
42		544 12 17-01		1	
43		725 23 64-61		1	
44		506 67 33-01		1	
46		506 88 99-01		1	
47		725 25 00-51		2	
48		544 03 96-02		1	

K Rider R15V2 AWD, Rider R15V2s AWD
HYDROSTAT K574 SP (Rider R15V2 AWD)
HYDROSTAT K574 PO (Rider R15V2s AWD)

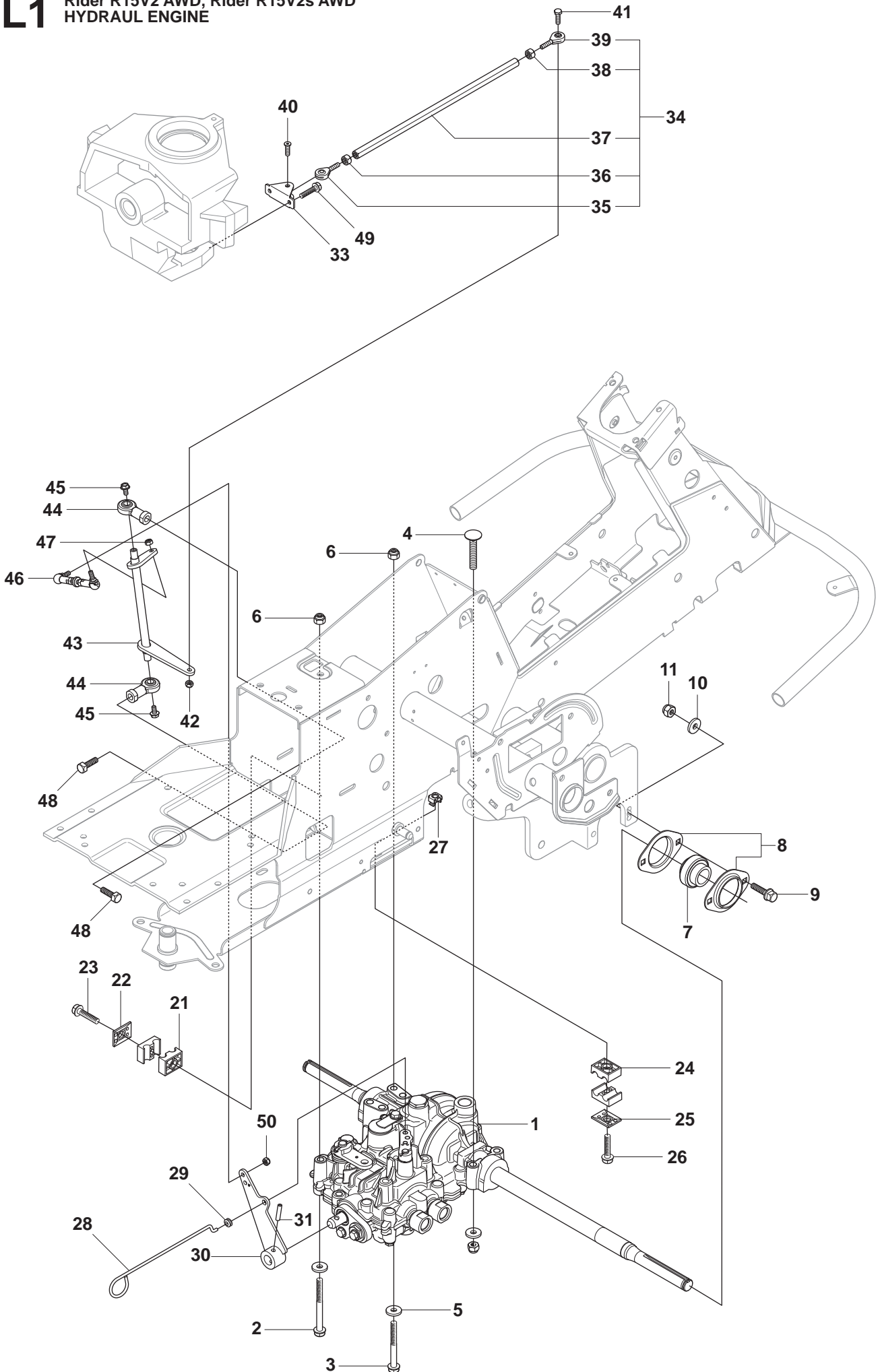


K Rider R15V2 AWD
HYDROSTAT K574 SP

Pos.	Compl No.	Part No.	Description	Qty.	Notes
1		544 11 61-01		1	RIDER R15V2 AWD
2		506 98 65-01		1	
3		506 98 66-01		2	
4		502 45 19-01		1	
5		506 98 68-01		1	
6		735 31 15-00		1	
7		502 45 16-01		1	
8		506 98 70-01		2	
9	544 11 61-01	535 40 28-07		1	
10	544 11 61-01	535 40 28-32		1	
11	544 11 61-01	535 40 28-29		1	
12	544 11 61-01	502 45 20-01		1	
13	544 11 61-01	535 40 28-37		2	
14	544 11 61-01	502 45 32-01		1	
15	544 11 61-01	535 40 28-09		1	
16	544 11 61-01	535 40 28-17		1	
17	544 11 61-01	535 40 28-16		1	
18	544 11 61-01	535 40 28-33		1	
19	544 11 61-01	535 40 28-38		1	
20	544 11 61-01	535 40 28-39		1	
21	544 11 61-01	535 40 28-40		1	
22	544 11 61-01	535 40 28-41		1	

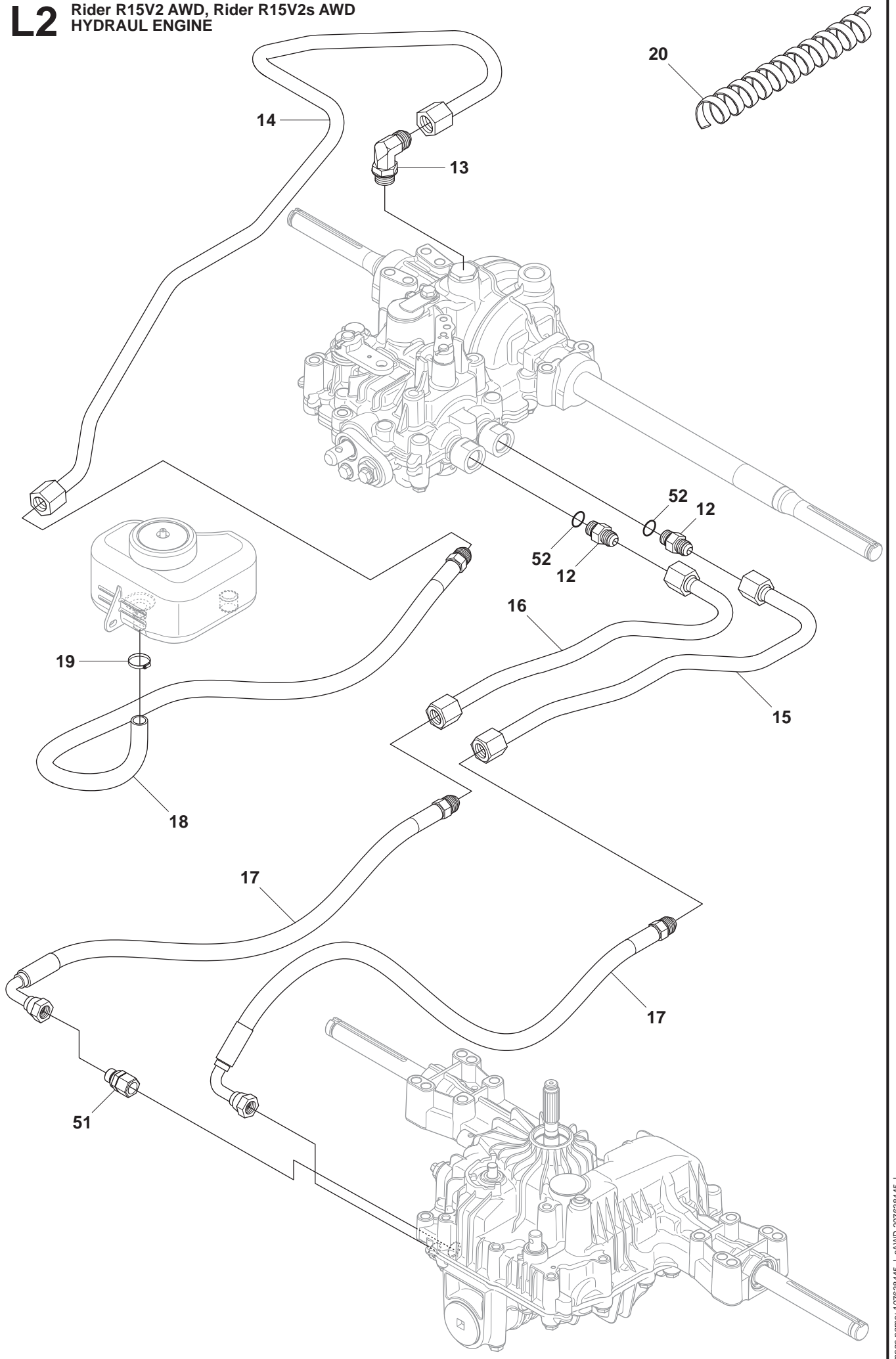
K Rider R15V2s AWD
HYDROSTAT K574 PO

Pos.	Compl No.	Part No.	Description	Qty.	Notes
1		502 63 32-01		1	RIDER R15V2s AWD
2		506 98 65-01		1	
3		506 98 66-01		2	
4		502 45 19-01		1	
5		506 98 68-01		1	
6		735 31 15-00		1	
7		502 45 16-01		1	
8		506 98 70-01		2	
9	502 63 32-01	535 40 28-07		1	
10	502 63 32-01	535 40 28-32		1	
11	502 63 32-01	535 40 28-29		1	
12	502 63 32-01	502 45 20-01		1	
13	502 63 32-01	535 40 28-37		2	
14	502 63 32-01	502 45 32-01		1	
15	502 63 32-01	535 40 28-09		1	
16	502 63 32-01	535 40 28-17		1	
17	502 63 32-01	535 40 28-16		1	
18	502 63 32-01	535 40 28-33		1	
19	502 63 32-01	535 40 28-38		1	
20	502 63 32-01	535 40 28-39		1	
21	502 63 32-01	535 40 28-40		1	
22	502 63 32-01	535 40 28-41		1	

L1**Rider R15V2 AWD, Rider R15V2s AWD
HYDRAUL ENGINE**

L2

Rider R15V2 AWD, Rider R15V2s AWD
HYDRAUL ENGINE

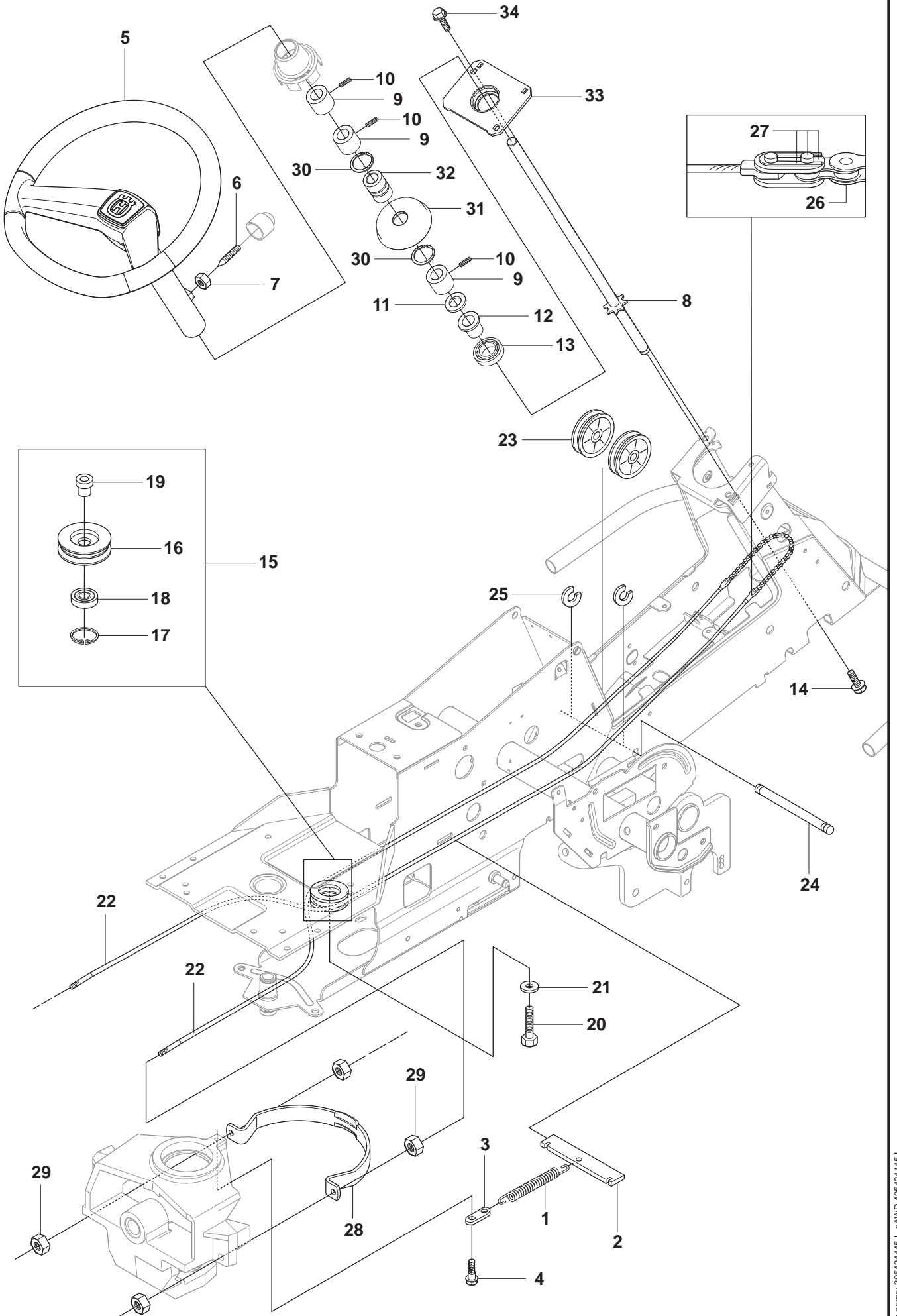




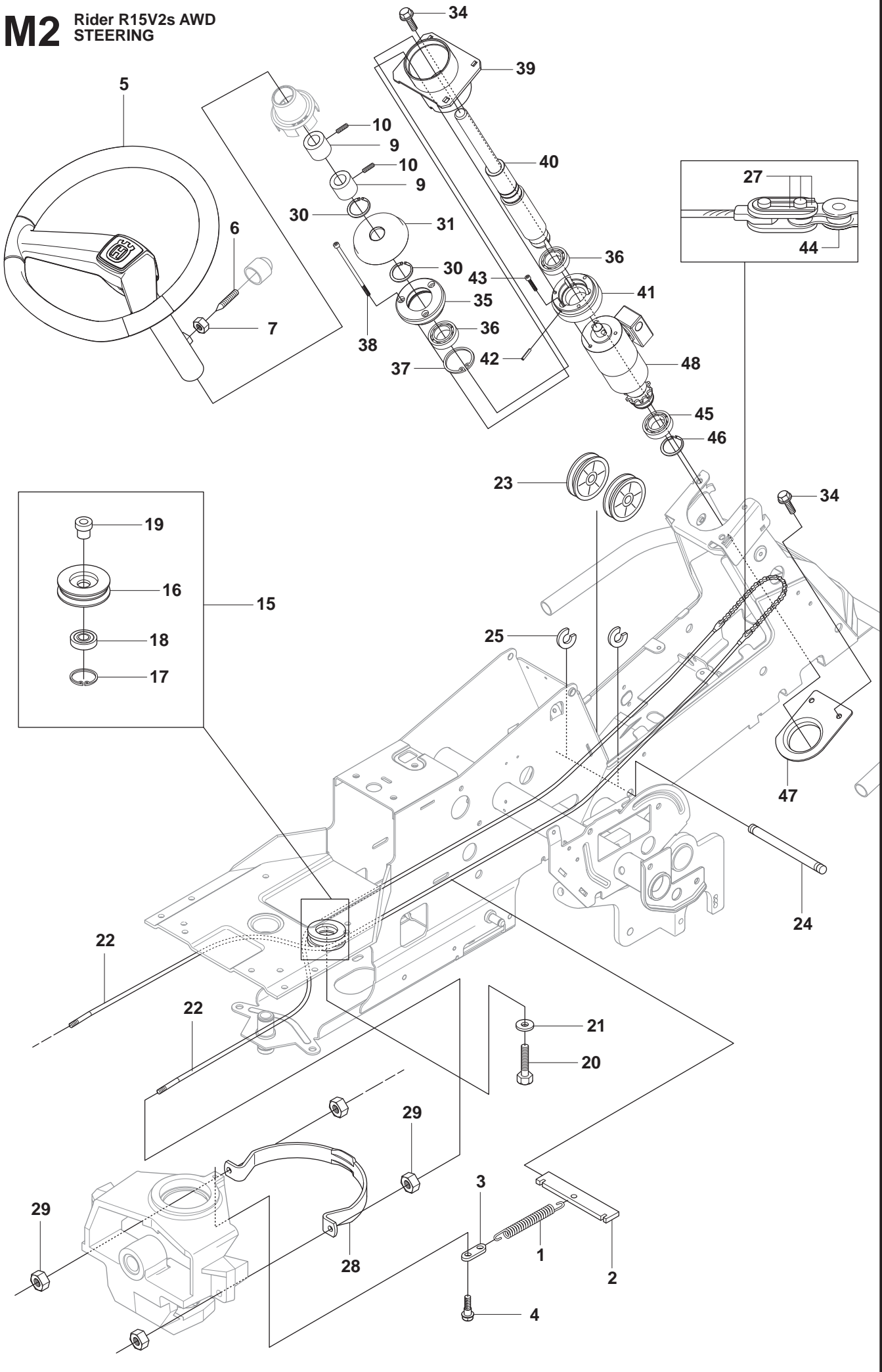
Rider R15V2 AWD, Rider R15V2s AWD
HYDRAUL ENGINE

Pos.	Compl No.	Part No.	Description	Qty.	Notes
1		544 11 60-01		1	
2		725 24 67-51		1	
3		725 24 64-51		1	
4		535 42 38-03		1	
5		734 11 64-01		3	
6		732 21 18-01		3	
7		544 00 89-02		1	
8		544 00 90-02		1	
9		506 57 01-05		2	
10		734 11 64-01		2	
11		732 21 18-01		2	
12		535 42 65-07		2	
13		535 43 73-02		1	
14		544 80 78-01		1	
15		544 80 79-01		1	
16		544 80 80-01		1	
17		544 45 64-03		2	
18		522 42 98-02		1	
19		505 13 11-01		1	
20		544 02 66-03		1	
21		544 37 33-03		1	
22		535 43 85-01		1	
23		725 23 78-61		1	
24		544 37 33-02		1	
25		544 37 38-02		1	
26		506 57 01-07		1	
27		544 81 17-01		1	
28		535 49 97-01		1	
29		503 73 58-01		1	
30		544 43 52-01		1	
31		721 43 47-01		1	
33		535 49 28-02		1	
34		544 45 67-03		1	
35	544 45 67-03	535 48 66-02		1	
36	544 45 67-03	503 22 10-18		1	
37	544 45 67-03	535 48 65-03		1	
38	544 45 67-03	731 23 16-01		1	
39	544 45 67-03	535 48 66-01		1	
40		544 84 17-01		1	
41		725 23 70-71		1	
42		732 25 16-01		1	
43		535 49 74-01		1	
44		506 95 17-01		2	
45		535 47 52-12		2	
46		544 44 19-01		1	
47		732 25 16-01		1	
48		725 24 93-71		2	
49		725 23 66-51		2	
50		732 21 16-01		1	
51		504 56 74-01		1	R15V2s AWD
52		505 45 11-01		2	

M1 Rider R15V2 AWD STEERING

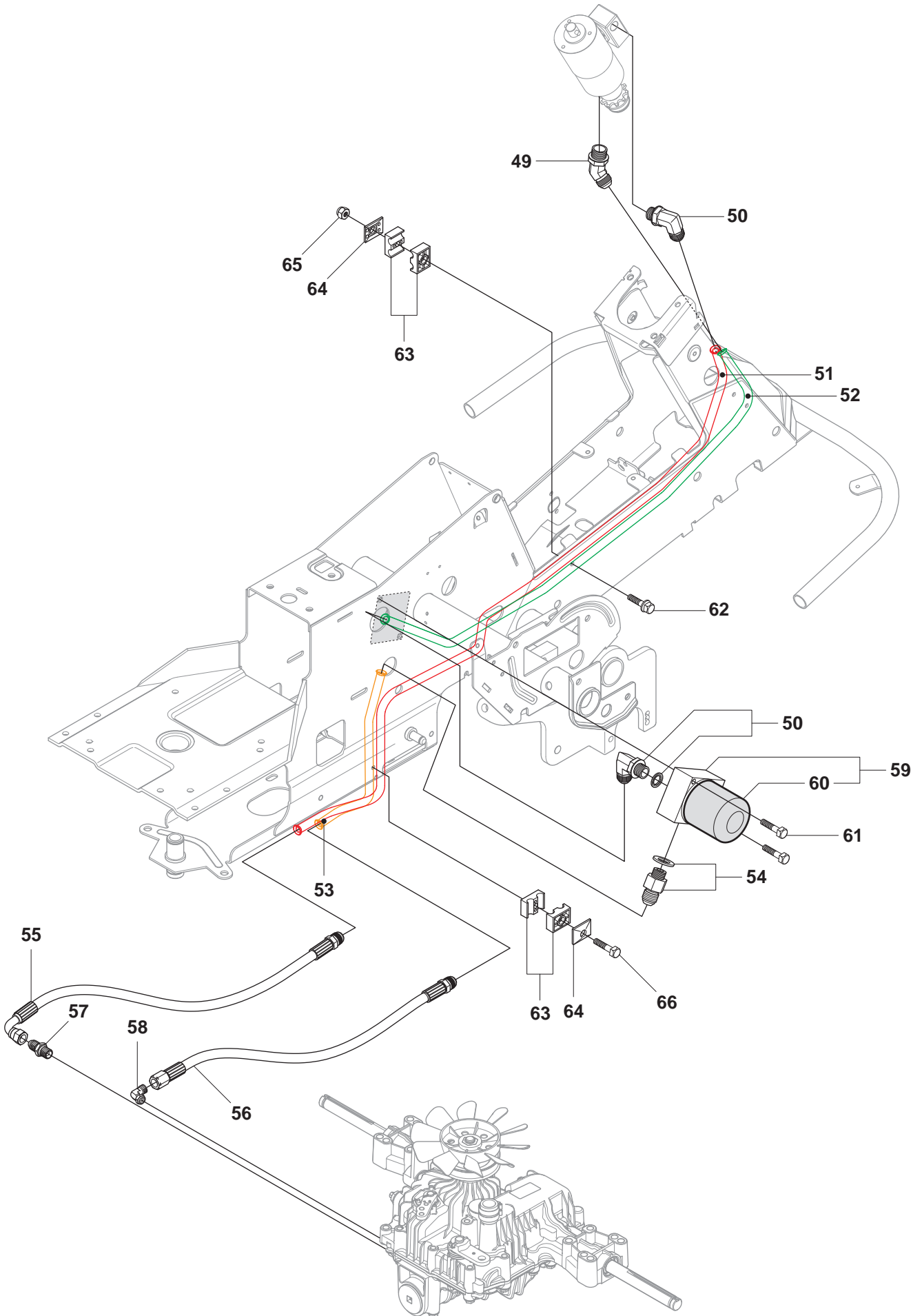


M2 Rider R15V2s AWD STEERING



M3

Rider R15V2s AWD STEERING





Rider R15V2 AWD, Rider R15V2s AWD
STEERING

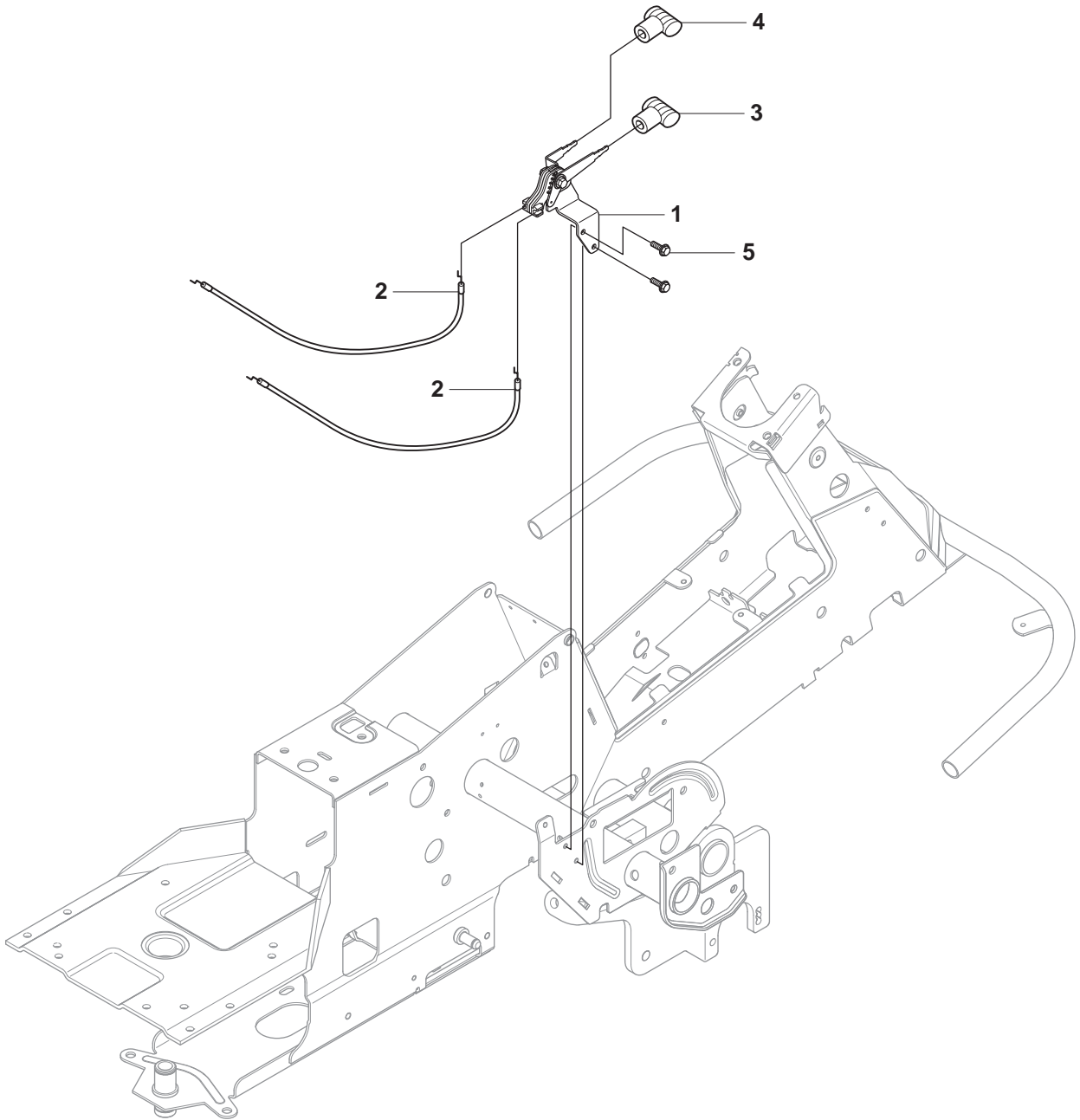
Pos.	Compl No.	Part No.	Description	Qty.	Notes
1		506 67 19-01		1	
2		506 57 63-01		1	
3		506 67 08-01		1	
4		506 59 74-01		1	
5		544 37 52-01		1	
6		728 74 55-05		1	
7		731 23 18-01		1	
8		502 64 08-01		1	R15V2 AWD
9		506 86 34-01		3	R15V2 AWD
9		506 86 34-01		2	R15V2s AWD
10		728 84 43-05		3	R15V2 AWD
10		728 84 43-05		2	R15V2s AWD
11		506 86 36-01		1	R15V2 AWD
12		506 88 78-01		1	R15V2 AWD
13		738 21 04-04		1	R15V2 AWD
14		506 57 01-04		1	R15V2 AWD
15		506 50 09-03		1	
16	506 50 09-03	535 42 41-01		1	
17	506 50 09-03	735 31 40-10		1	
18	506 50 09-03	738 22 04-19		1	
19	506 50 09-03	506 50 08-02		1	
20		506 67 54-03		1	
21		734 11 74-41		1	
22		506 58 91-04		2	
23		506 52 24-01		2	
24		506 53 94-02		1	
25		735 31 14-20		2	
26		506 55 46-01		1	R15V2 AWD
27		506 55 47-01		2	
28		544 42 73-01		1	
29		731 23 20-51		4	
30		735 31 26-00		2	
31		535 42 37-01		1	
32		535 44 78-01		1	R15V2 AWD
33		502 64 93-01		1	R15V2 AWD
34		506 57 01-04		2	R15V2 AWD
34		506 57 01-04		4	R15V2s AWD
35		535 42 36-01		1	R15V2s AWD
36		738 21 05-04		2	R15V2s AWD
37		735 31 40-10		1	R15V2s AWD
38		535 43 28-01		3	R15V2s AWD
39		502 29 62-01		1	R15V2s AWD
40		535 42 19-01		1	R15V2s AWD
41		535 42 35-01		1	R15V2s AWD
42		721 43 35-01		1	R15V2s AWD
43		725 53 70-01		3	R15V2s AWD
44		506 55 46-10		1	R15V2s AWD
45		535 42 78-01		1	R15V2s AWD
46		735 31 33-00		1	R15V2s AWD
47		504 53 82-01		1	R15V2s AWD
48		535 45 71-02		1	R15V2s AWD
49		535 42 69-01		1	R15V2s AWD
50		535 43 73-01		2	R15V2s AWD
51		502 85 44-01		1	R15V2s AWD
52		502 85 45-01		1	R15V2s AWD
53		502 85 46-01		1	R15V2s AWD
54		535 42 68-01		1	R15V2s AWD
55		535 45 03-02		1	R15V2s AWD
56		535 45 04-02		1	R15V2s AWD
57		535 42 65-01		1	R15V2s AWD
58		535 42 66-01		1	R15V2s AWD
59		535 44 87-01		1	R15V2s AWD
60	535 44 87-01	535 42 75-02		1	R15V2s AWD
61		725 54 62-01		2	R15V2s AWD



Rider R15V2 AWD, Rider R15V2s AWD
STEERING

Pos.	Compl No.	Part No.	Description	Qty.	Notes
62		535 47 52-45		1	R15V2s AWD
63		544 37 33-03		2	R15V2s AWD
64		535 43 85-01		2	R15V2s AWD
65		732 21 16-01		1	R15V2s AWD
66		725 23 78-61		1	R15V2s AWD

N Rider R15V2 AWD, Rider R15V2s AWD
CONTROLS

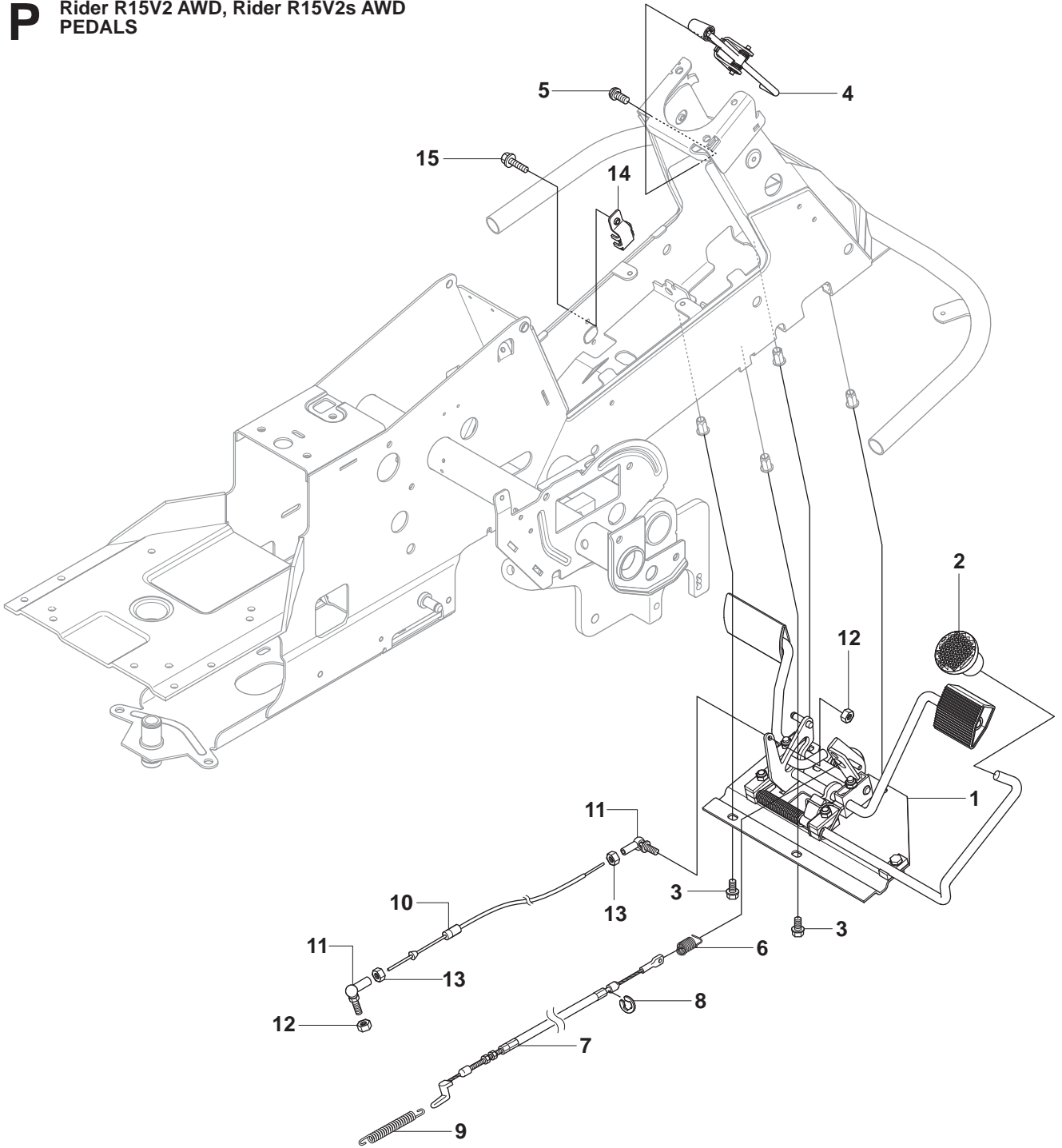




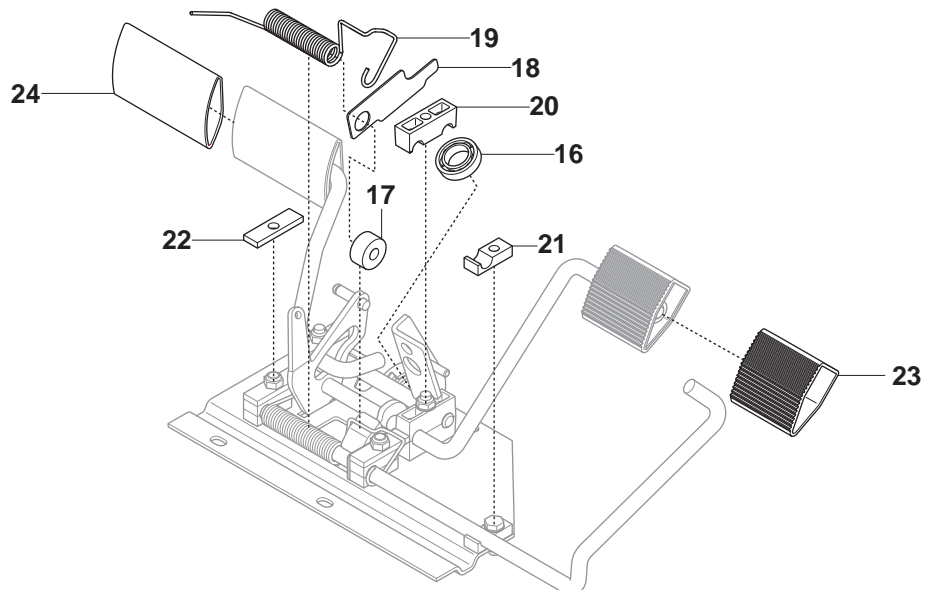
Rider R15V2 AWD, Rider R15V2s AWD
CONTROLS

Pos.	Compl No.	Part No.	Description	Qty.	Notes
1		544 30 16-01		1	
2		544 30 17-02		2	
3		506 88 91-01		1	
4		506 88 91-02		1	
5		725 23 64-61		2	

P Rider R15V2 AWD, Rider R15V2s AWD
PEDALS



PEDALS

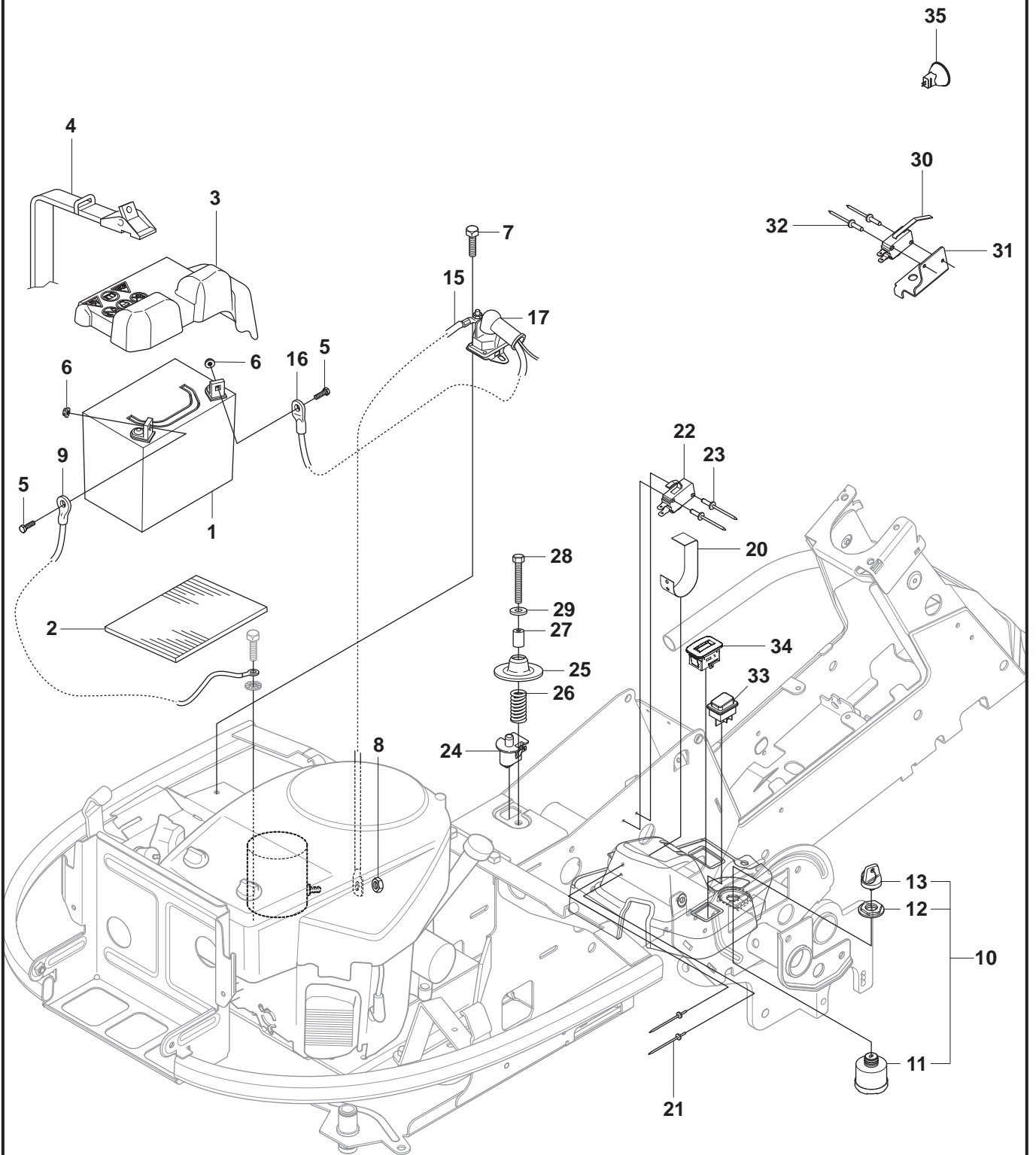




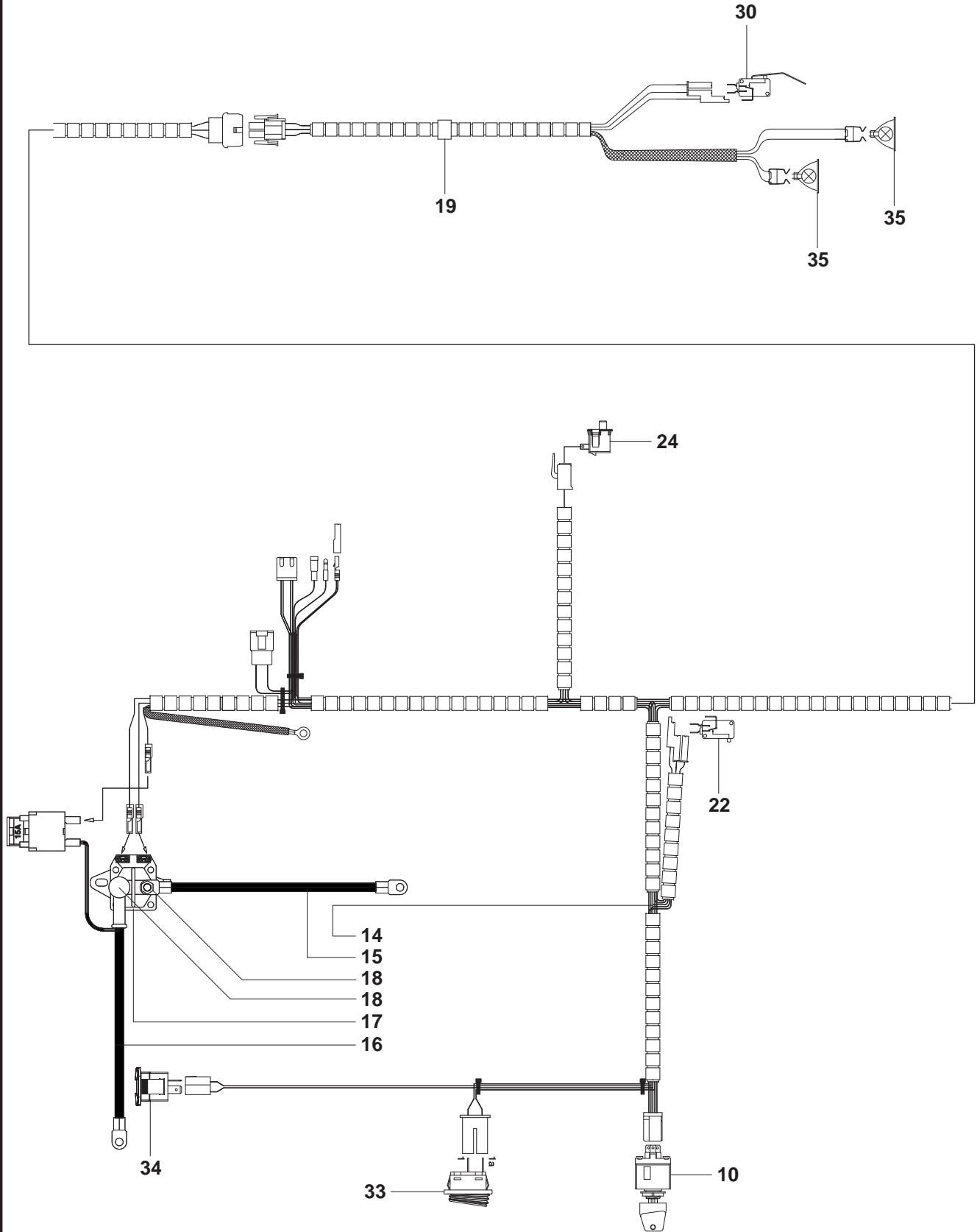
Rider R15V2 AWD, Rider R15V2s AWD
PEDALS

Pos.	Compl No.	Part No.	Description	Qty.	Notes
1		544 12 60-01		1	
2		535 47 37-01		1	
3		506 57 01-04		4	
4		544 40 31-01		1	
5		725 23 64-61		2	
6		506 94 63-01		1	
7		535 48 96-01		1	
8		735 31 09-20		1	
9		506 53 56-03		1	
10		506 82 72-02		1	
11		506 55 73-01		2	
12		732 21 14-01		2	
13		731 23 14-01		2	
14		522 43 08-01		1	
15		725 23 64-61		1	
16	544 12 60-01	738 21 02-04		1	
17	544 12 60-01	535 48 02-01		1	
18	544 12 60-01	535 48 06-01		1	
19	544 12 60-01	535 48 07-01		1	
20	544 12 60-01	535 48 08-01		4	
21	544 12 60-01	535 48 09-01		1	
22	544 12 60-01	535 48 10-01		1	
23	544 12 60-01	535 47 88-01		1	
24	544 12 60-01	535 47 88-02		1	

Q1 Rider R15V2 AWD, Rider R15V2s AWD
ELECTRICAL



Q2 Rider R15V2 AWD, Rider R15V2s AWD
ELECTRICAL

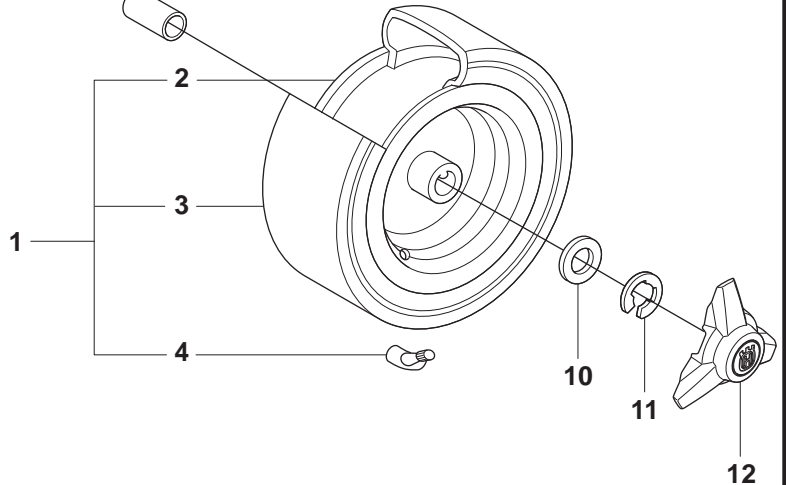
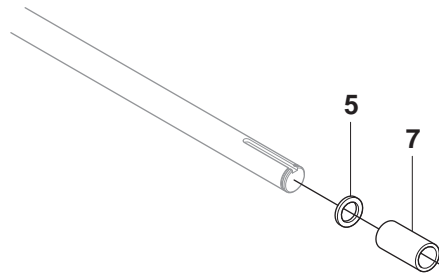
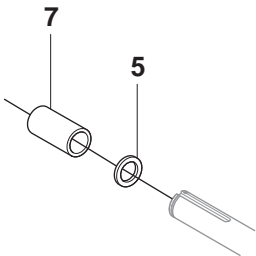
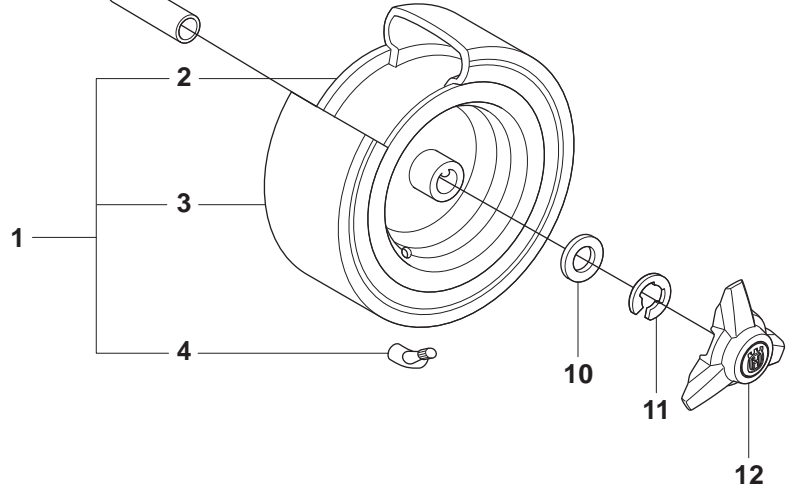
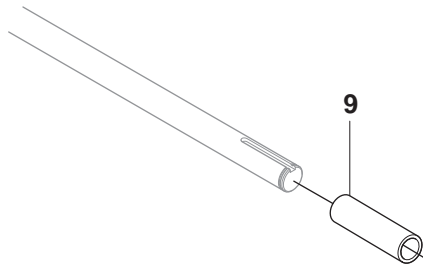
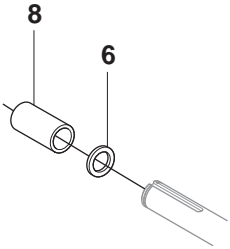
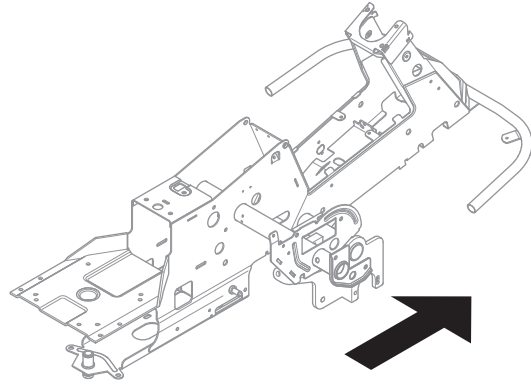




Rider R15V2 AWD, Rider R15V2s AWD
ELECTRICAL

Pos.	Compl No.	Part No.	Description	Qty.	Notes
1		510 13 85-01		1	
2		535 44 11-01		1	
3		510 02 69-01		1	
4		506 83 68-02		1	
5		522 62 21-01		1	
6		522 62 43-01		1	
7		725 23 64-61		1	
8		506 89 98-01		1	
9		544 96 76-04		1	
10		544 44 21-01		1	
11	544 44 21-01	544 44 22-01		1	
12	544 44 21-01	544 44 23-01		1	
13	544 44 21-01	544 44 24-01		1	
14		502 65 34-01		1	
15		544 92 86-01		1	
16		544 92 61-04		1	
17		544 43 98-01		1	
18		506 89 98-01		2	1/4" UNC
19		504 55 88-01		1	
20		506 90 93-01		1	
21		722 78 39-02		2	
22		535 46 91-01		1	
23		544 44 07-01		2	
24		506 90 96-01		1	
25		506 90 97-01		1	
26		544 44 12-01		1	
27		506 90 99-02		1	
28		725 24 60-51		1	
29		734 11 64-01		1	
30		544 41 55-01		1	
31		544 41 57-01		1	
32		544 44 07-01		2	
33		502 65 57-01		1	
34		502 65 30-01		1	
35		502 46 66-01		2	

R Rider R15V2 AWD, Rider R15V2s AWD
WHEELS & TIRES

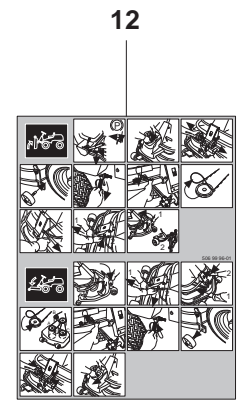
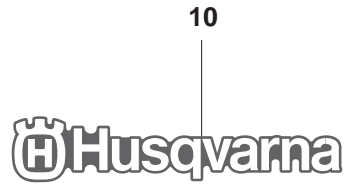
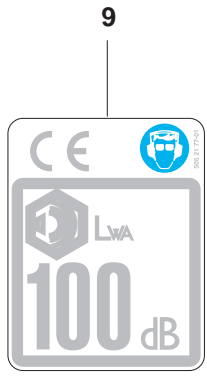
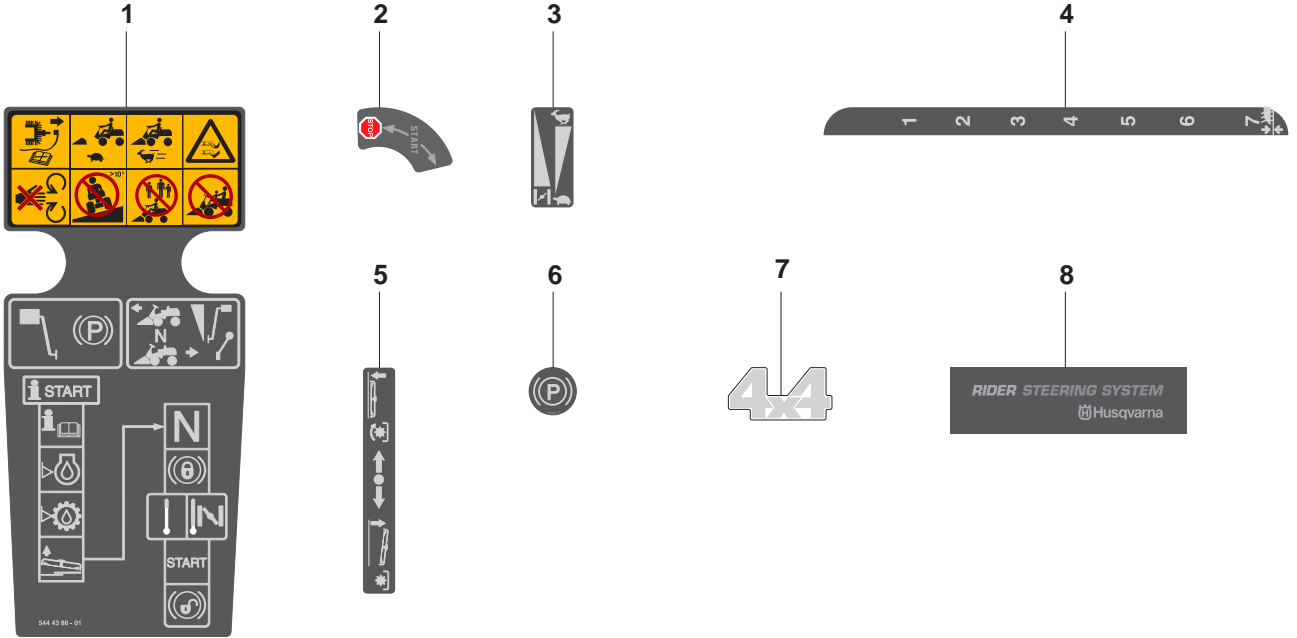




Rider R15V2 AWD, Rider R15V2s AWD
WHEELS & TIRES

Pos.	Compl No.	Part No.	Description	Qty.	Notes
1		544 12 63-01		4	Rv.B
2	544 12 63-01	544 11 42-01		1	
3	544 12 63-01	535 46 00-01		1	
4	544 12 63-01	506 57 43-01		1	
5		506 50 48-03		2	
6		506 94 58-01		1	
7		506 59 62-03		2	
8		544 13 26-01		1	
9		544 13 26-02		1	
10		506 50 48-05		4	
11		506 89 90-01		4	
12		544 35 35-01		4	

S Rider R15V2 AWD, Rider R15V2s AWD
DECALS

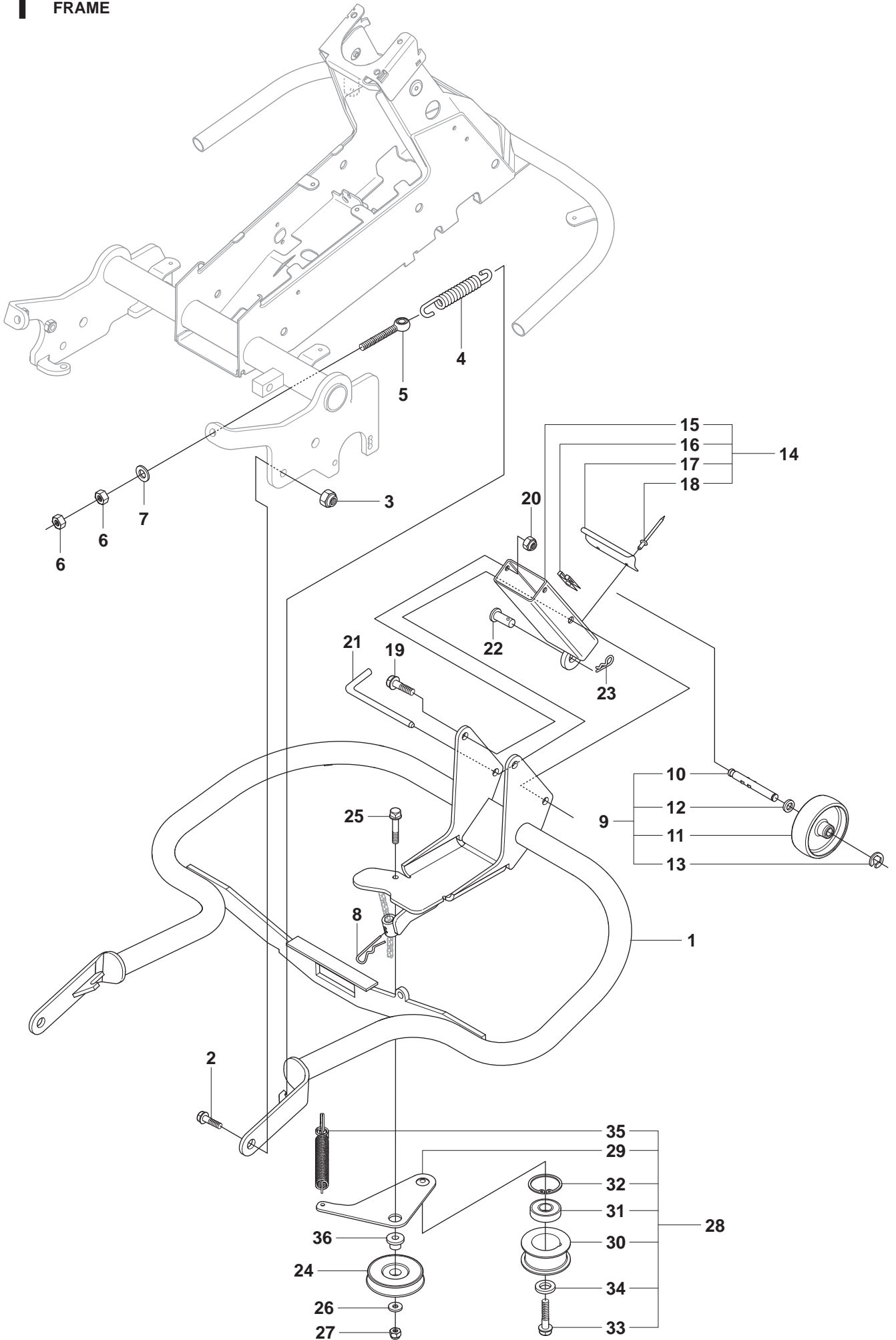




Rider R15V2 AWD, Rider R15V2s AWD
DECALS

Pos.	Compl No.	Part No.	Description	Qty.	Notes
1		544 43 86-01		1	
2		544 43 87-01		1	
3		544 43 89-01		1	
4		544 43 90-02		1	
5		544 43 92-01		1	
6		506 58 45-01		1	
7		544 83 35-01		2	
8		544 83 36-01		1	
9		505 21 77-01		1	
10		544 39 11-02		1	
11		544 21 14-01		2	
12		506 99 96-01		1	
13		544 83 40-01		1	LEFT, R15V2 AWD
14		544 83 40-02		1	RIGHT, R15V2 AWD
15		502 85 50-01		1	LEFT, R15V2s AWD
16		502 85 50-02		1	RIGHT, R15V2s AWD

T Rider R15V2 AWD, Rider R15V2s AWD
FRAME



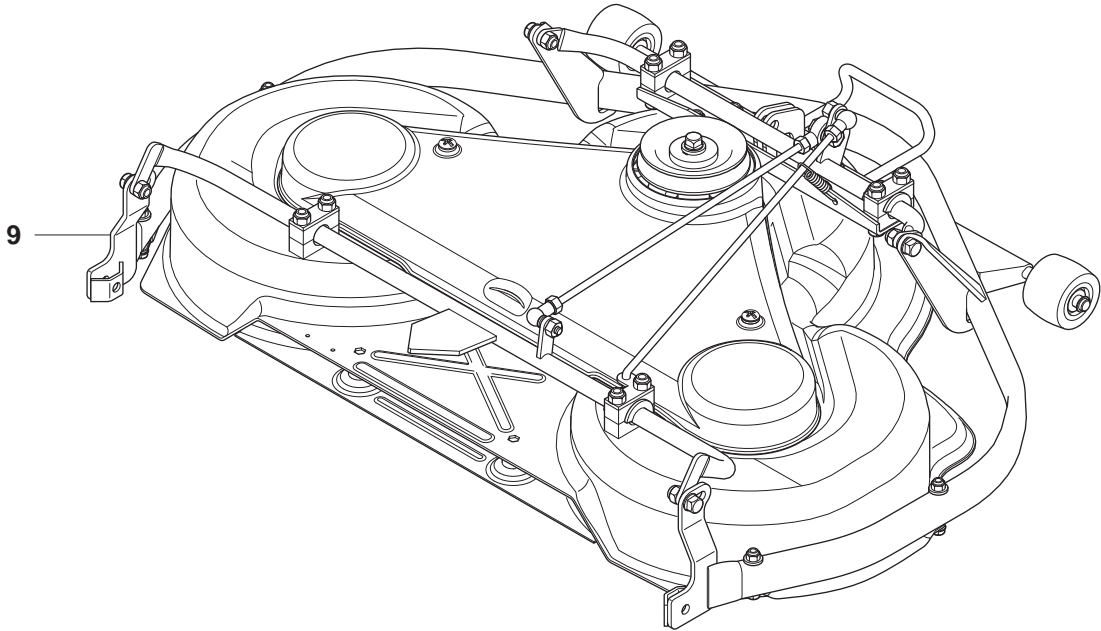
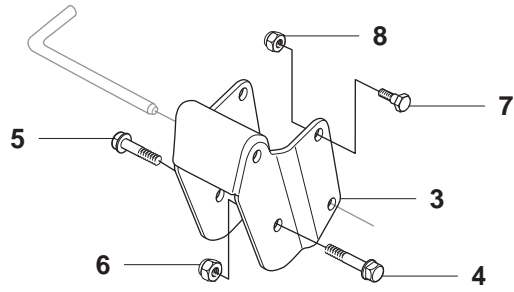


Rider R15V2 AWD, Rider R15V2s AWD
FRAME

Pos.	Compl No.	Part No.	Description	Qty.	Notes
1		535 49 01-02		1	
2		506 89 58-01		2	
3		732 25 22-01		2	
4		506 83 76-01		2	
5		506 83 77-01		2	
6		731 23 20-51		4	
7		734 11 72-01		2	
8		506 96 66-01		1	
9		506 98 14-01		2	
10	506 98 14-01	506 98 00-01		1	
11	506 98 14-01	506 97 96-01		1	
12	506 98 14-01	734 11 77-71		1	
13	506 98 14-01	735 31 15-20		1	
14		506 99 78-01		1	
15	506 99 78-01	506 99 79-01		1	
16	506 99 78-01	506 96 37-01		1	
17	506 99 78-01	506 98 28-01		1	
18	506 99 78-01	722 78 39-02		2	
19		506 59 74-01		2	
20		732 21 18-01		2	
21		506 97 46-01		1	
22		721 86 17-01		1	
23		721 68 02-51		1	
24		506 97 48-01		1	
25		725 24 61-51		1	
26		734 11 64-41		1	
27		732 21 18-01		1	
28		535 49 36-01		1	
29	535 49 36-01	535 49 37-01		1	
30	535 49 36-01	506 92 89-01		1	
31	535 49 36-01	738 21 04-04		1	
32	535 49 36-01	735 31 38-10		1	
33	535 49 36-01	506 55 83-02		1	
34	535 49 36-01	734 11 64-41		1	
35	535 49 36-01	506 97 68-01		1	
36		544 00 74-01		1	

U

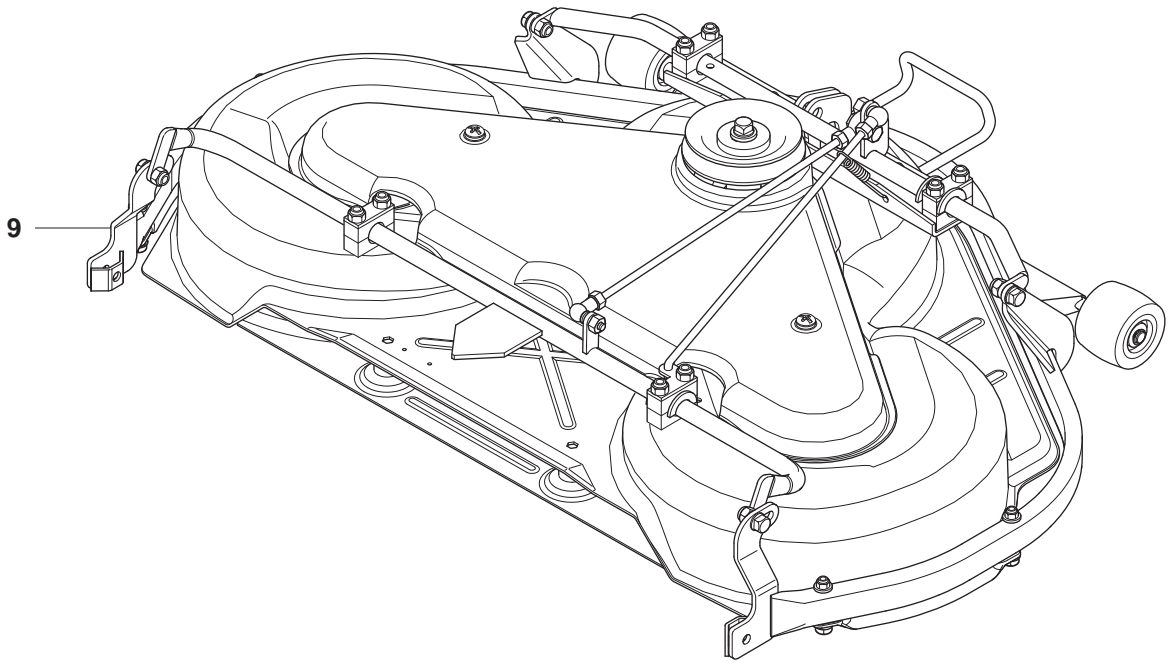
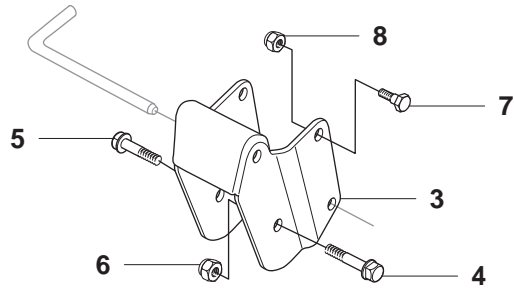
MOWER DECK, Combi 103





MOWER DECK, Combi 103

Pos.	Compl No.	Part No.	Description	Qty.	Notes
1		506 92 90-01		1	
3		535 43 13-01		1	
4		725 25 42-51		1	
5		725 25 36-71		1	
6		732 25 22-01		2	
7		506 59 74-01		2	
8		732 21 18-01		2	
9		965 07 84-01		1	



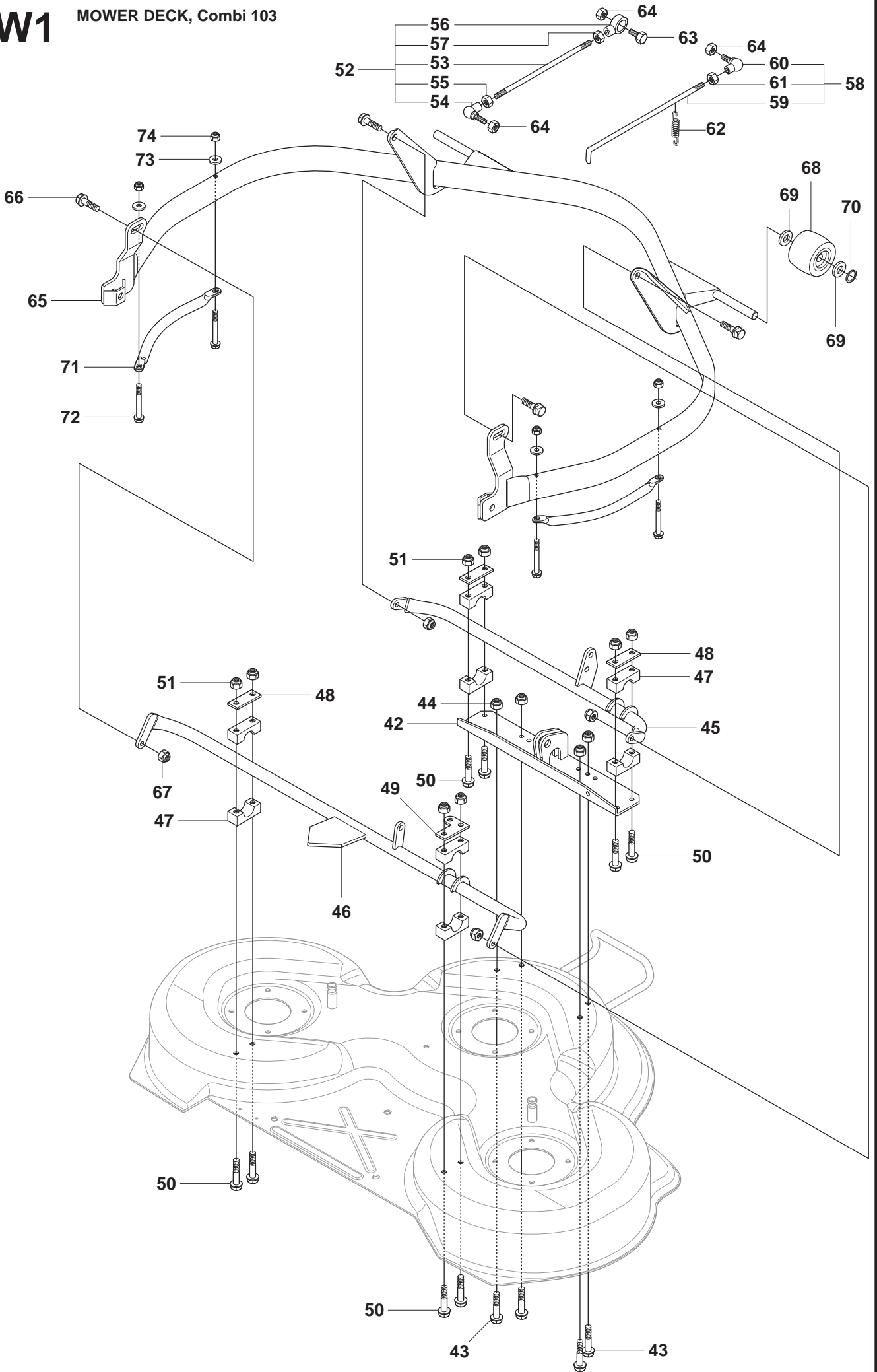


MOWER DECK, Combi 112

Pos.	Compl No.	Part No.	Description	Qty.	Notes
1		506 92 90-01		1	
2		535 43 74-01		1	
3		535 43 13-01		1	
4		725 25 42-51		1	
5		725 25 36-71		1	
6		732 25 22-01		2	
7		506 59 74-01		2	
8		732 21 18-01		2	
9		965 07 85-01		1	

W1

MOWER DECK, Combi 103



**MOWER DECK, Combi 103**

Pos.	Compl No.	Part No.	Description	Qty.	Notes
1		544 11 29-03		1	
2	544 11 29-03	544 11 28-01		1	
3	544 11 29-03	506 91 62-01		3	
4	544 11 29-03	544 44 92-01		1	
5	544 11 29-03	506 57 01-04		3	
6		544 06 59-01		2	
7	544 06 59-01	544 06 79-02		1	
8	544 06 59-01	738 23 04-34		2	
9	544 06 59-01	544 06 80-01		1	
10	544 06 59-01	544 06 78-01		1	
11		544 06 59-02		1	
12	544 06 59-02	544 06 79-01		1	
13	544 06 59-02	738 23 04-34		2	
14	544 06 59-02	544 06 80-01		1	
15	544 06 59-02	544 06 78-01		1	
16		535 42 38-01		12	
17		734 11 64-01		12	
18		732 21 18-01		12	
19		506 92 21-01		3	
20		506 53 35-01		7	
21		544 06 80-02		1	
22		506 77 86-01		1	
23		734 11 74-41		3	
24		544 11 41-01		3	
25		535 50 42-02		3	
26		504 18 82-01		3	
27		506 79 23-01		3	
28		544 11 41-01		3	
29		506 54 07-01		1	
30	506 54 07-01	506 51 95-01		1	
31	506 54 07-01	506 53 27-01		1	
32	506 54 07-01	734 11 64-41		1	
33	506 54 07-01	506 55 83-02		1	
34		506 91 87-02		1	
35		725 24 51-71		1	
36		732 21 18-01		1	
37		506 53 31-01		1	
38		506 76 85-01		1	
39		544 09 61-01		1	
40		506 98 26-01		2	
41		506 55 97-01		2	
42		535 42 30-01		1	
43		725 24 51-71		4	
44		732 21 18-01		4	
45		535 46 88-01		1	
46		535 46 87-01		1	
47		506 86 96-01		8	
48		506 81 38-01		3	
49		506 97 91-01		1	
50		725 24 61-51		8	
51		732 21 18-01		8	
52		506 93 39-04		1	
53	506 93 39-04	506 81 49-06		1	
54	506 93 39-04	506 78 99-01		1	
55	506 93 39-04	506 89 76-01		1	
56	506 93 39-04	506 95 17-01		1	
57	506 93 39-04	731 23 20-51		1	
58		506 94 12-06		1	
59	506 94 12-06	506 94 13-06		1	
60	506 94 12-06	506 78 99-01		1	
61	506 94 12-06	506 89 76-01		1	
62		506 53 56-03		1	
63		725 24 95-71		1	
64		732 21 20-51		3	

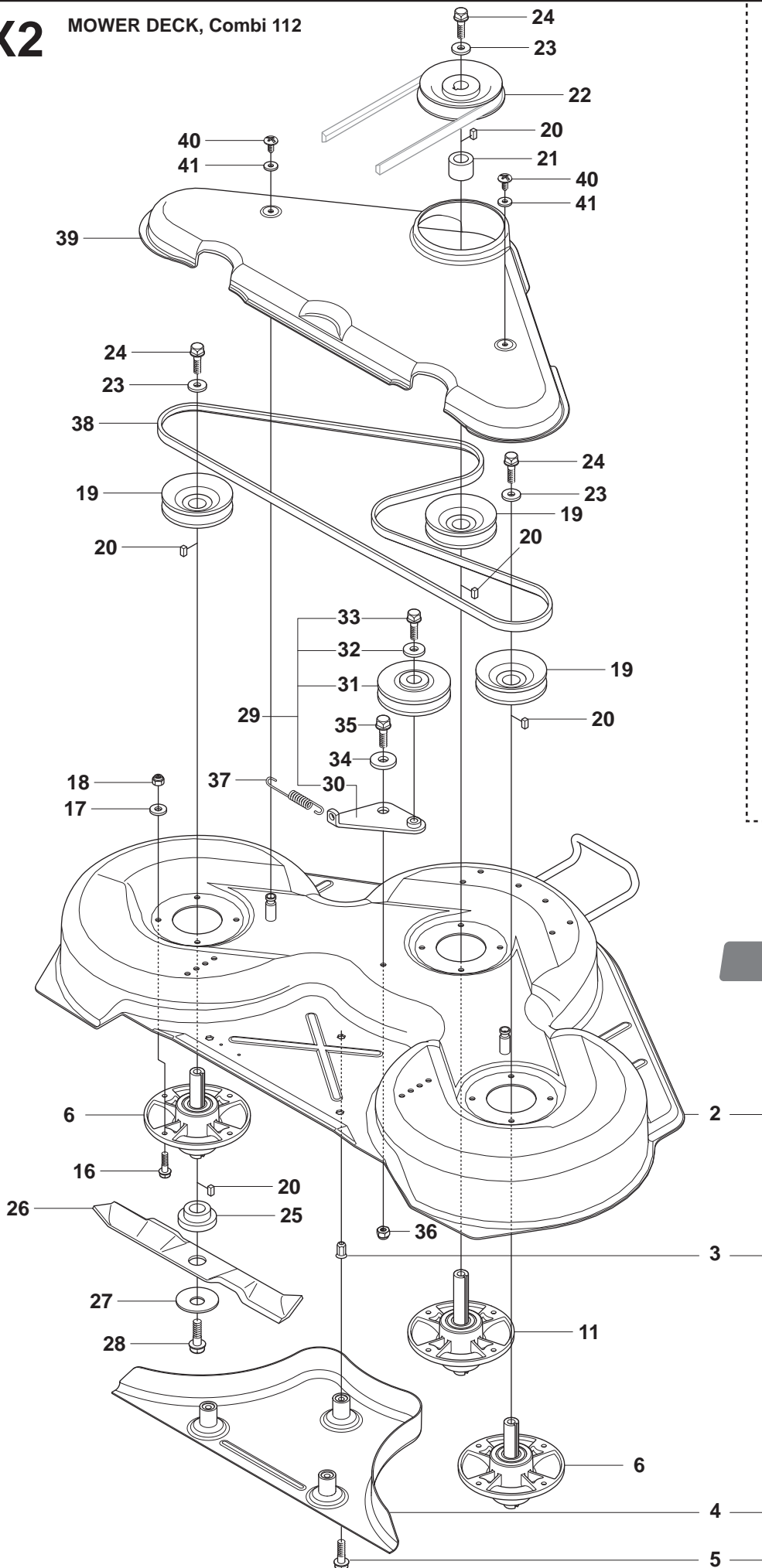


MOWER DECK, Combi 103

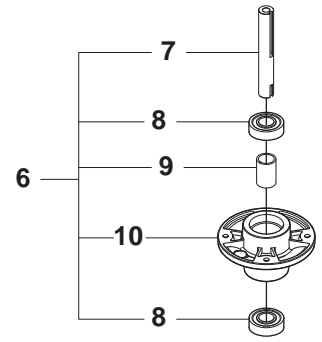
Pos.	Compl No.	Part No.	Description	Qty.	Notes
65		535 46 36-01		1	
66		506 59 74-01		4	
67		732 21 18-01		4	
68		506 96 30-01		2	
69		535 46 41-01		4	
70		735 31 17-00		2	
71		535 47 63-01		2	
72		727 63 83-01		4	
73		734 11 56-01		4	
74		732 21 16-01		4	
75		506 78 97-01		1	
76		544 23 81-03		1	

X2

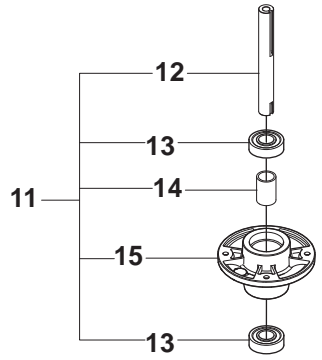
MOWER DECK, Combi 112



Yttre.
Outer.
Exterieur.
Äusser.
Ulko.

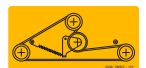


Mitten.
Centre.
Centre.
Zentrum.
Keski.



76

Combi 112



75

**MOWER DECK, Combi 112**

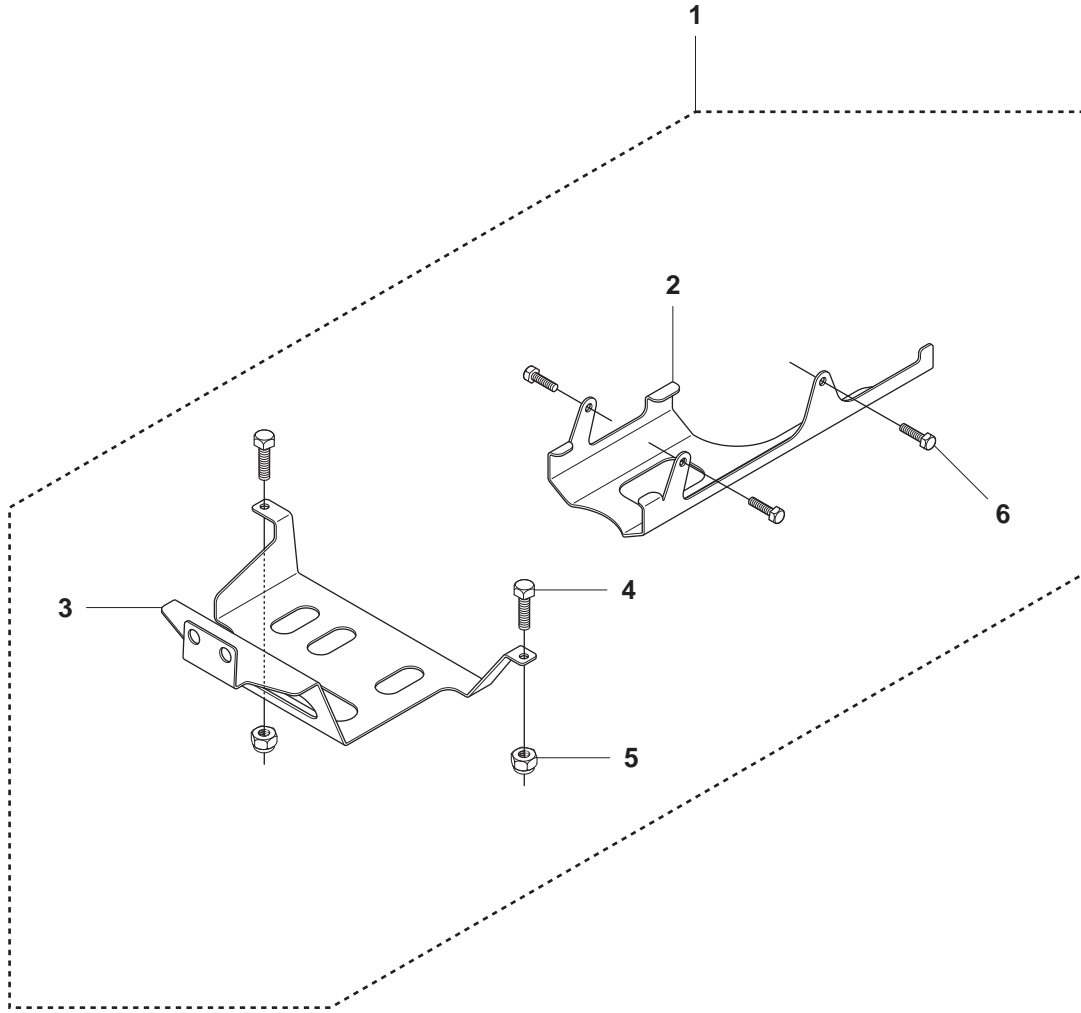
Pos.	Compl No.	Part No.	Description	Qty.	Notes
1		544 11 30-03		1	
2	544 11 30-03	544 11 31-01		1	
3	544 11 30-03	506 91 62-01		3	
4	544 11 30-03	544 44 93-01		1	
5	544 11 30-03	506 57 01-04		3	
6		544 06 59-01		2	
7	544 06 59-01	544 06 79-02		1	
8	544 06 59-01	738 23 04-34		2	
9	544 06 59-01	544 06 80-01		1	
10	544 06 59-01	544 06 78-01		1	
11		544 06 59-02		1	
12	544 06 59-02	544 06 79-01		1	
13	544 06 59-02	738 23 04-34		2	
14	544 06 59-02	544 06 80-01		1	
15	544 06 59-02	544 06 78-01		1	
16		535 42 38-01		12	
17		734 11 64-01		12	
18		732 21 18-01		12	
19		506 92 21-01		3	
20		506 53 35-01		7	
21		544 06 80-02		1	
22		506 77 86-01		1	
23		734 11 74-41		3	
24		544 11 41-01		3	
25		535 50 42-02		3	
26		544 10 28-01		3	
27		506 79 23-01		3	
28		544 11 41-01		3	
29		506 54 07-01		1	
30	506 54 07-01	506 51 95-01		1	
31	506 54 07-01	506 53 27-01		1	
32	506 54 07-01	734 11 64-41		1	
33	506 54 07-01	506 55 83-02		1	
34		506 91 87-02		1	
35		725 24 51-71		1	
36		732 21 18-01		1	
37		506 53 31-01		1	
38		535 41 19-01		1	
39		544 09 62-01		1	
40		506 98 26-01		2	
41		506 55 97-01		2	
42		535 42 30-01		1	
43		725 24 51-71		4	
44		732 21 18-01		4	
45		535 43 06-01		1	
46		535 43 12-01		1	
47		506 86 96-01		8	
48		506 81 38-01		3	
49		506 97 91-01		1	
50		725 24 61-51		8	
51		732 21 18-01		8	
52		506 93 39-04		1	
53	506 93 39-04	506 81 49-06		1	
54	506 93 39-04	506 78 99-01		1	
55	506 93 39-04	506 89 76-01		1	
56	506 93 39-04	506 95 17-01		1	
57	506 93 39-04	731 23 20-51		1	
58		506 94 12-06		1	
59	506 94 12-06	506 94 13-06		1	
60	506 94 12-06	506 78 99-01		1	
61	506 94 12-06	506 89 76-01		1	
62		506 53 56-03		1	
63		725 24 95-71		1	
64		732 21 20-51		3	



MOWER DECK, Combi 112

Pos.	Compl No.	Part No.	Description	Qty.	Notes
65		535 41 23-02		1	
66		506 59 74-01		4	
67		732 21 18-01		4	
68		506 96 30-01		2	
69		535 46 41-01		4	
70		735 31 17-00		2	
71		535 47 63-01		2	
72		727 63 83-01		4	
73		734 11 56-01		4	
74		732 21 16-01		4	
75		506 78 97-01		1	
76		544 23 81-05		1	

Y Rider R15V2 AWD, Rider R15V2s AWD
ACCESSORIES





Rider R15V2 AWD, Rider R15V2s AWD
ACCESSORIES

Pos.	Compl No.	Part No.	Description	Qty.	Notes
1		544 06 93-04		1	
2	544 06 93-04	504 04 62-01		1	
3	544 06 93-04	544 14 33-01		1	
4	544 06 93-04	725 24 63-71		2	
5	544 06 93-04	732 21 18-01		2	
6	544 06 93-04	725 24 49-61		3	