

Z16

Z18

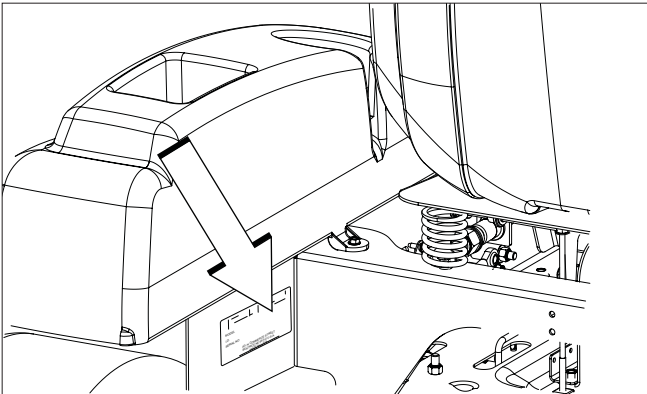
Spare parts
Ersatzteile
Pièces détachées
Reserve onderdelen
Repuestos
Reservdelar

CE

When you need spare parts or support in service questions, warranty issues, etc., please consult the following professional:

This Parts Manual belongs to the machine with the manufacturing number:	Engine	Transmission

Manufacturing Number



The machine's manufacturing number can be found on the printed plate affixed to the engine compartment. Illustration at left shown with engine removed.

Stated on the plate, from the top are:

- The machine's type designation (I.D.).
- The manufacturer's type number (Model).
- The machine's serial number (Serial no.)

Please have the type designation and serial number available when ordering spare parts.

The engine's manufacturing number is stamped on one of the valve covers.

The plate states:

- The engine's model.
- The engine's type.
- Code

Please have these available when ordering spare parts.

The wheel motors and hydrostatic pumps have a barcode decal affixed at the rear.

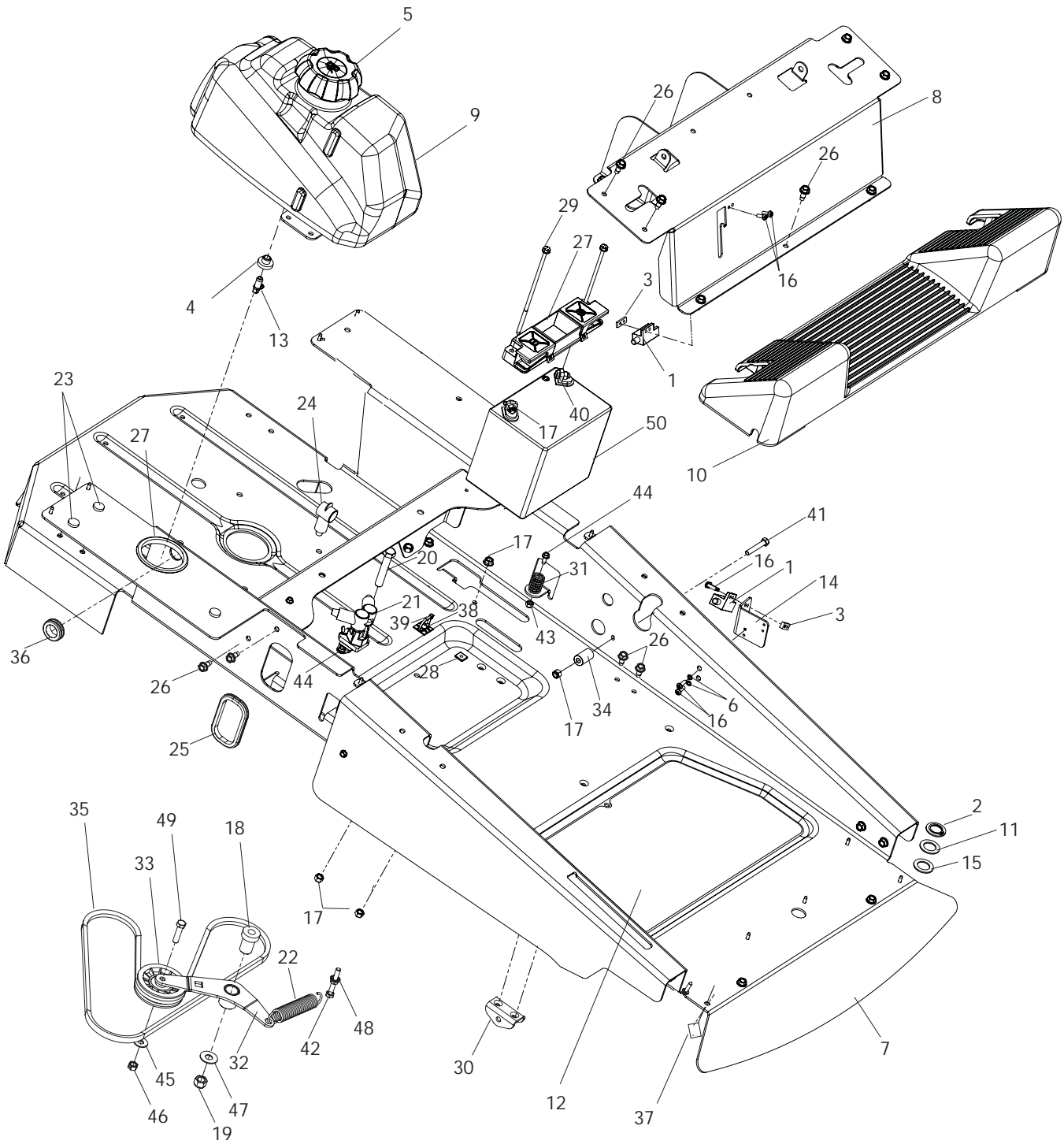
CONTENTS

CHASSIS / FRAME	4	WHEELS AND TIRES	18
ENGINE	8	DECK LIFT	20
Kohler 18 HP.....	8	42" CUTTING DECK	22
ENGINE	10	SEAT	24
Briggs & Stratton 16 HP.....	10	DECALS	28
STEERING	12	GUARDS	30
IGNITION SYSTEM.....	14	SCHEMATIC.....	32
HYDRAULIC PUMP-MOTOR.....	16		

NOTE: ALL FASTENERS ARE GRADE 5 UNLESS OTHERWISE SPECIFIED.

CHASSIS / FRAME

For Units With Serial Number Before 0806xxxxx



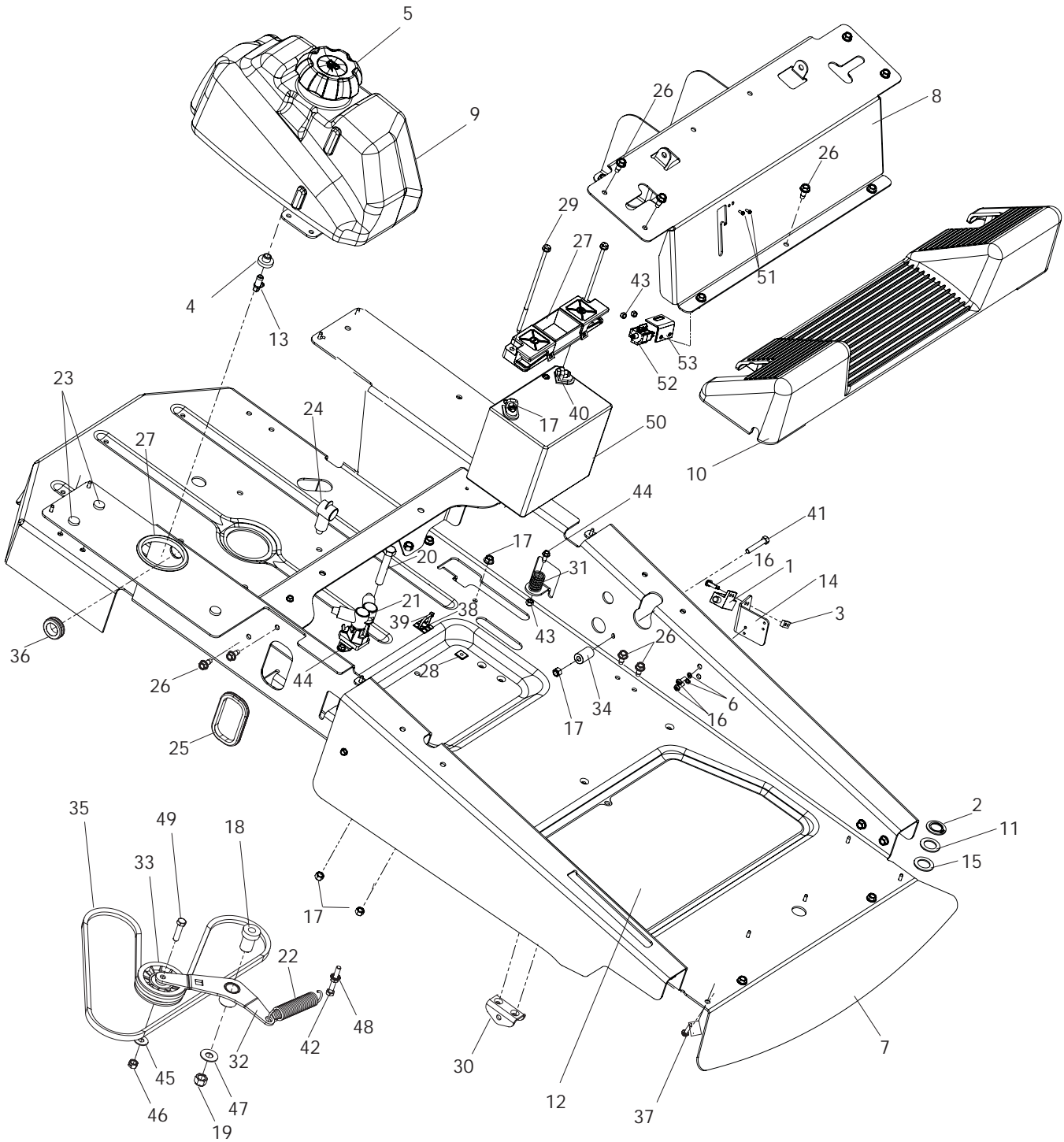
CHASSIS / FRAME

For Units With Serial Number Before 0806xxxxx

ITEM	PART NO.	QTY.	DESCRIPTION	ITEM	PART NO.	QTY.	DESCRIPTION
1..	539 101080....2	SWITCH-INTERLOCK	29..	539 107632....2	BOLT, ¼ x 7½, SPEC
2..	539 101151....2	RING-RETAINING EXT, 7/8	30..	539 110030....2	BRACKET, DECK HANGER
3..	539 102678....3	SCREW PLATE, #10-24	31..	539 110070....2	SPRING, RETURN
4..	539 105245....1	GROMMET, RUBBER	32..	539 110219....1	PUMP IDLER ARM
5..	539 106188....1	FUEL CAP, ANTISPLASH	33..	539 110311....1	PULLEY, IDLER
6..	539 109552....4	LOCKWASHER, 3/16	34..	539 110312....2	MOTION LIMITER
7..	539 110377....1	CHASSIS W/DECALS	35..	539 110411....1	BELT, EZT
8..	539 130554....1	CONSOLE W/DECALS	36..	539 110433....1	GROMMET, FUEL LINE
9..	539 110252....1	FUEL TANK	37..	539 110674....6	SCRW, #10-12 x 1½ WSH HD
10..	539 110284....1	FOOT REST	38..	539 110863....2	MOUNTING BLOCK, TIE
11..	539 110294....2	WASHER, 7/8, WAVE	39..	539 976856....2	TIE-PLASTIC
12..	539 110310....1	SLIP, MATTING	40..	539 976934....2	HCS, 5/16-18 x ¾
13..	539 110432....1	STEM, FUEL TANK	41..	539 976937....2	HCS, 5/16-18 x 2
14..	539 110860....2	SWITCH BRACKET	42..	539 976938....1	HCS, 5/16-18 x 2¼
15..	539 923787....4	BUSHING	43..	539 976978....4	NUT, ¼-20, NYLOC
16..	539 976952....6	SCREW, #10-24 x 5/8	44..	539 990362....8	SCREW, ¼-20 x 5/8 SELF TAP
17..	539 990717..11	NUT, 5/16-18, NYLOC	45..	539 990517....3	WASHER, 3/8
18..	539 101231....1	SPINDLE-IDLER	46..	539 990546....3	NUT, 3/8-16, CENTERLOCK
19..	539 101331....1	NUT, ½-13, NYLOC	47..	539 990550....1	WASHER, ½
20..	539 101332....1	HCS, ½-13 x 2¾	48..	539 990585....1	NUT, 5/16-18, WHIZLK
21..	539 101714....1	SOLENOID	49..	539 990655....1	HCS, 3/8-16 x 1½
22..	539 101977....1	SPRING	50..	539 102436....1	BATTERY, DRY
23..	539 102587....3	GROMMET, BUMPER	NOT SHOWN			
24..	539 102759....3	INSULATOR-BATTERY	539 107616....1	BATTERY CABLE, POS	
25..	539 107116....2	GROMMET	539 110068....1	BATTERY CABLE, NEG	
26..	539 107475..33	BOLT, 5/16-18 x ¾ THD FRM	539 110309....1	WIRING HARNESS	
27..	539 107628....1	BATTERY HOLD DOWN	539 110290....2	FOAM STRIP, FUEL TANK	
28..	539 107629....2	NUT, ¼, PUSH NYLON				

CHASSIS / FRAME

For Units with Serial Number After 0806XXXXX



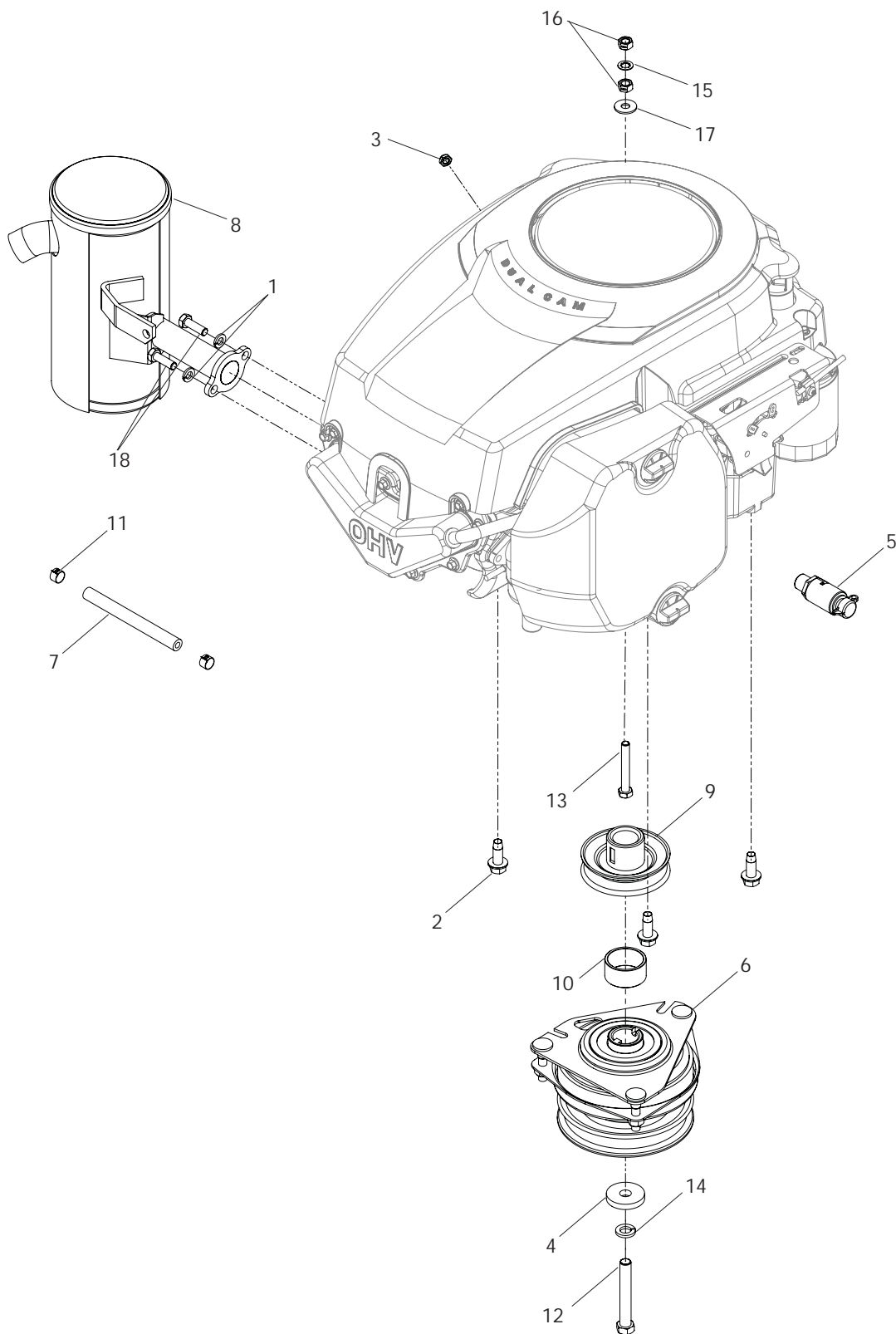
CHASSIS / FRAME

For Units with Serial Number After 0806XXXXX

ITEM	PART NO.	QTY.	DESCRIPTION	ITEM	PART NO.	QTY.	DESCRIPTION
1..	539 101080....3	SWITCH-INTERLOCK	30..	539 110030....2	BRACKET, DECK HANGER
2..	539 101151....2	RING-RETAINING EXT, 7/8	31..	539 110070....2	SPRING, RETURN
3..	539 102678....2	SCREW PLATE, #10-24	32..	539 110219....1	PUMP IDLER ARM
4..	539 105245....1	GROMMET, RUBBER	33..	539 110311....1	PULLEY, IDLER
5..	539 106188....1	FUEL CAP, ANTISPLASH	34..	539 110312....2	MOTION LIMITER
6..	539 109552....4	LOCKWASHER, 3/16	35..	539 110411....1	BELT, EZT
7..	539 110377....1	CHASSIS W/DECALS	36..	539 110433....1	GROMMET, FUEL LINE
8..	539 110378....1	CONSOLE W/DECALS	37..	539 110674....6	SCRW, #10-12 x 1 1/2 WSH HD
9..	539 110252....1	FUEL TANK	38..	539 110863....2	MOUNTING BLOCK, TIE
10..	539 110284....1	FOOT REST	39..	539 976856....2	TIE-PLASTIC
11..	539 110294....2	WASHER, 7/8, WAVE	40..	539 976934....2	HCS, 5/16-18 x 3/4
12..	539 110310....1	SLIP, MATTING	41..	539 976937....2	HCS, 5/16-18 x 2
13..	539 110432....1	STEM, FUEL TANK	42..	539 976938....1	HCS, 5/16-18 x 2 1/4
14..	539 110860....2	SWITCH BRACKET	43..	539 976978....6	NUT, 1/4-20, NYLOC
15..	539 923787....4	BUSHING	44..	539 990362....8	SCREW, 1/4-20 x 5/8 SELF TAP
16..	539 976952....4	SCREW, #10-24 x 5/8	45..	539 990517....3	WASHER, 3/8
17..	539 990717..11	NUT, 5/16-18, NYLOC	46..	539 990546....3	NUT, 3/8-16, CENTERLOCK
18..	539 101231....1	SPINDLE-IDLER	47..	539 990550....1	WASHER, 1/2
19..	539 101331....1	NUT, 1/2-13, NYLOC	48..	539 990585....1	NUT, 5/16-18, WHIZLK
20..	539 101332....1	HCS, 1/2-13 x 2 3/4	49..	539 990655....1	HCS, 3/8-16 x 1 1/2
21..	539 101714....1	SOLENOID	50..	539 102436....1	BATTERY, DRY
22..	539 101977....1	SPRING	51..	539 990071....2	HCS, 1/4 x 1/2
23..	539 102587....3	GROMMET, BUMPER	52..	539 113792....1	SWITCH, BRAKE
24..	539 102759....3	INSULATOR-BATTERY	53..	539 114803....1	BRACKET, SWITCH
25..	539 107116....2	GROMMET	NOT SHOWN			
26..	539 107475..33	BOLT, 5/16-18 x 3/4 THD FRM	539 107616....1	BATTERY CABLE, POS	
27..	539 107628....1	BATTERY HOLD DOWN	539 110068....1	BATTERY CABLE, NEG	
28..	539 107629....2	NUT, 1/4, PUSH NYLON	539 114720....1	WIRING HARNESS	
29..	539 107632....2	BOLT, 1/4 x 7 1/2, SPEC	539 110290....2	FOAM STRIP, FUEL TANK	

ENGINE

Kohler 18 HP



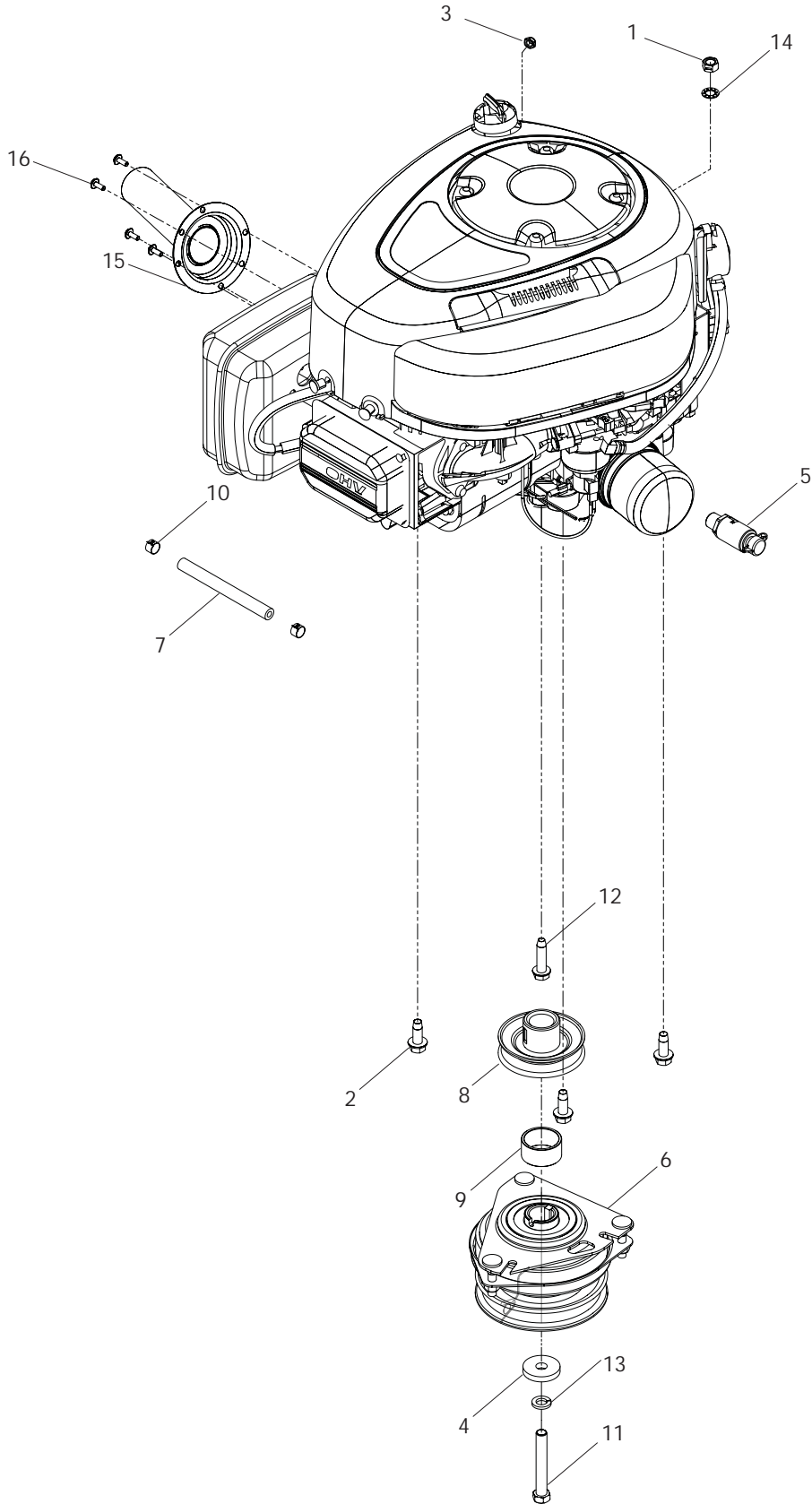
ENGINE

Kohler 18 HP

ITEM	PART NO.	QTY.	DESCRIPTION	ITEM	PART NO.	QTY.	DESCRIPTION
1..	539 990187....	2 WASHER $\frac{5}{16}$ SLW	10..	539 114542....	1 SPACER, ENGINE PULLEY
2..	539 107476....	3 BOLT, $\frac{3}{8}$ -16 x 1, THD FRM	11..	539 912222....	2 CLAMP, HOSE
3..	539 108120....	1 NUT, $\frac{1}{4}$ -20, THIN, NYLOC	12..	539 923388....	1 HCS, $\frac{7}{16}$ -20 x 3
4..	539 110064....	1 CLUTCH WASHER	13..	539 976938....	1 HCS $\frac{5}{16}$ -18 x $2\frac{1}{4}$
5..	539 110093....	1 OIL DRAIN FITTING	14..	539 990247....	1 WASHER $\frac{7}{16}$ SLW
6..	539 110417....	1 CLUTCH	15..	539 108576....	1 WASHER $\frac{5}{16}$ x $\frac{19}{32}$
7..	539 110425....	1 FUEL LINE, 5"	16..	539 990184....	2 NUT $\frac{5}{16}$ -18 HEX CTRLK
8..	539 111902....	1 MUFFLER	17..	539 990692....	2 WASHER, $\frac{5}{16}$ STD FLT
9..	539 114530....	1 PULLEY, ENGINE	18..	539 990209....	2 HCS $\frac{5}{16}$ -18 x 1

ENGINE

Briggs & Stratton 16 HP

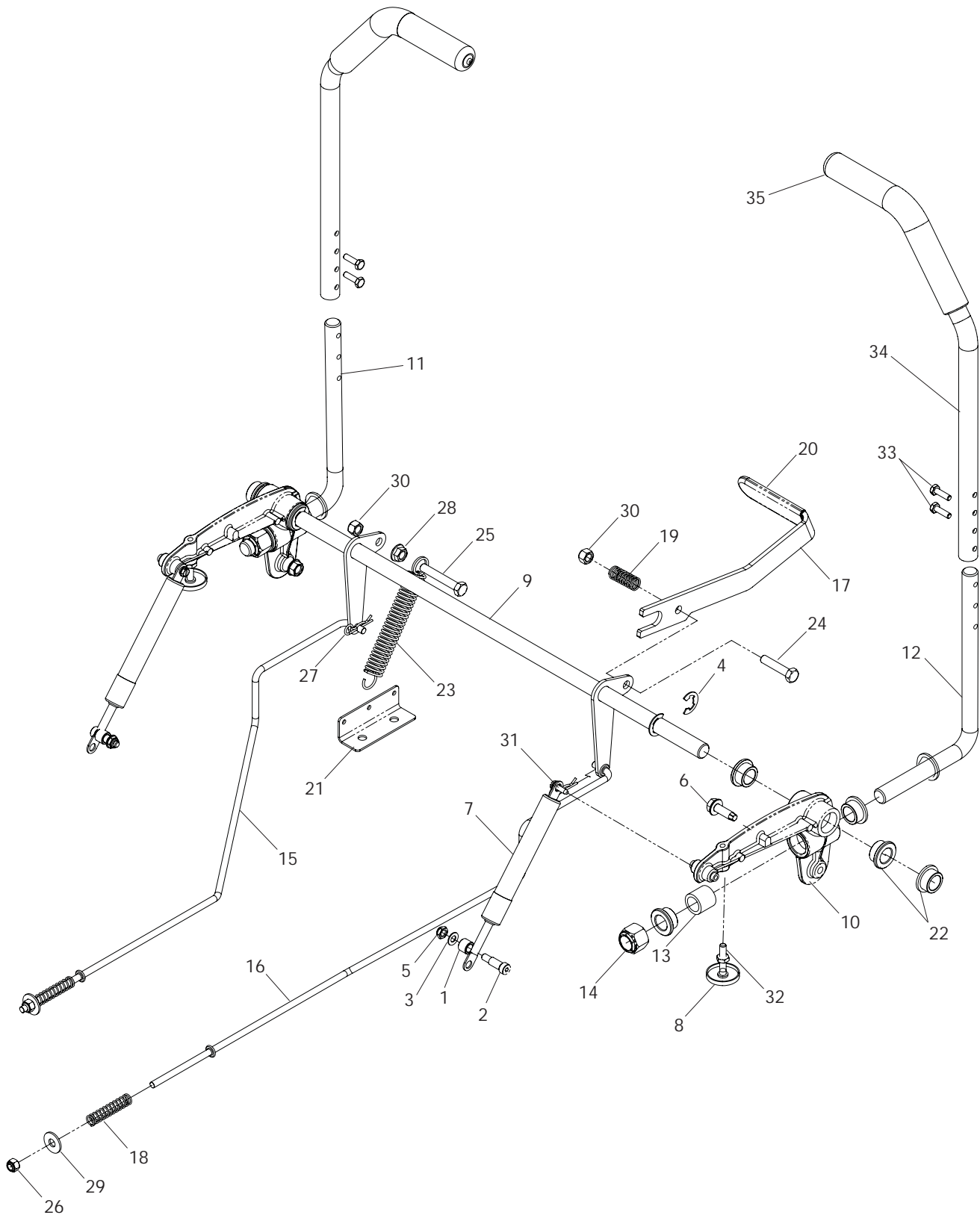


ENGINE

Briggs & Stratton 16 HP

ITEM	PART NO.	QTY.	DESCRIPTION	ITEM	PART NO.	QTY.	DESCRIPTION
1..	539 990546....	1	NUT, $\frac{3}{8}$ -16 HEX CNTRLK	9..	539 114542....	1	SPACER, ENGINE PULLEY
2..	539 107476....	3	BOLT, $\frac{3}{8}$ -16 x 1, THD FRM	10..	539 912222....	2	CLAMP, HOSE
3..	539 108120....	1	NUT, $\frac{1}{4}$ -20, THIN, NYLOC	11..	539 923388....	1	HCS, $\frac{7}{16}$ -20 x 3
4..	539 110064....	1	CLUTCH WASHER	12..	539 110025....	1	BOLT $\frac{3}{8}$ -16 x 1.5 THD FRM
5..	539 110093....	1	OIL DRAIN FITTING	13..	539 990247....	1	WASHER $\frac{7}{16}$ SLW ZD
6..	539 110417....	1	CLUTCH	14..	539 990390....	1	WASHER, $\frac{3}{8}$
7..	539 110425....	1	FUEL LINE, 5"	15..	539 121371....	1	EXTENSION, MUFFLER
8..	539 114530....	1	PULLEY, ENGINE	16..	539 115537....	4	SCREW, #10 -16 x $\frac{1}{2}$

STEERING

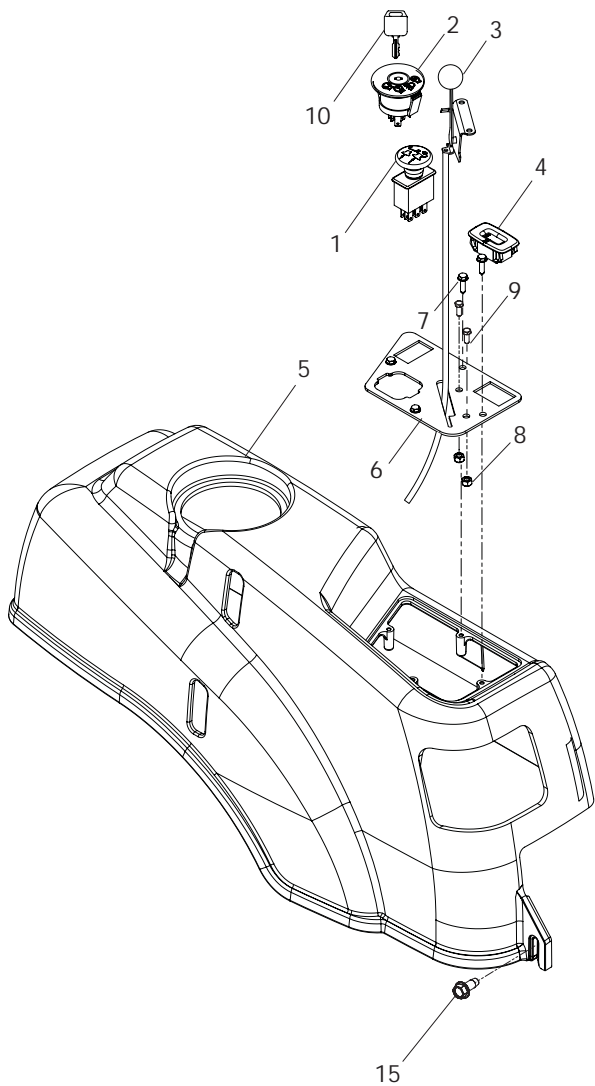


STEERING

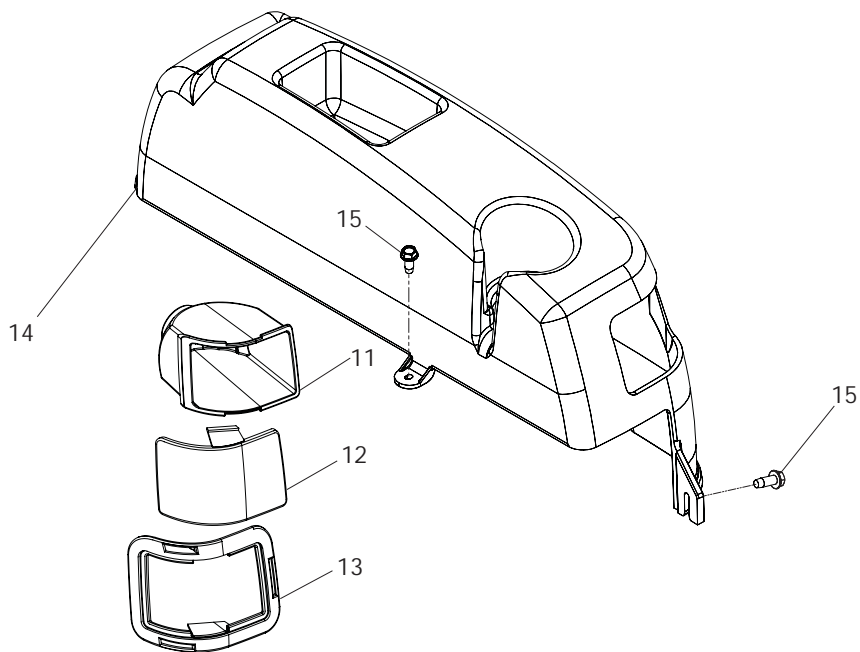
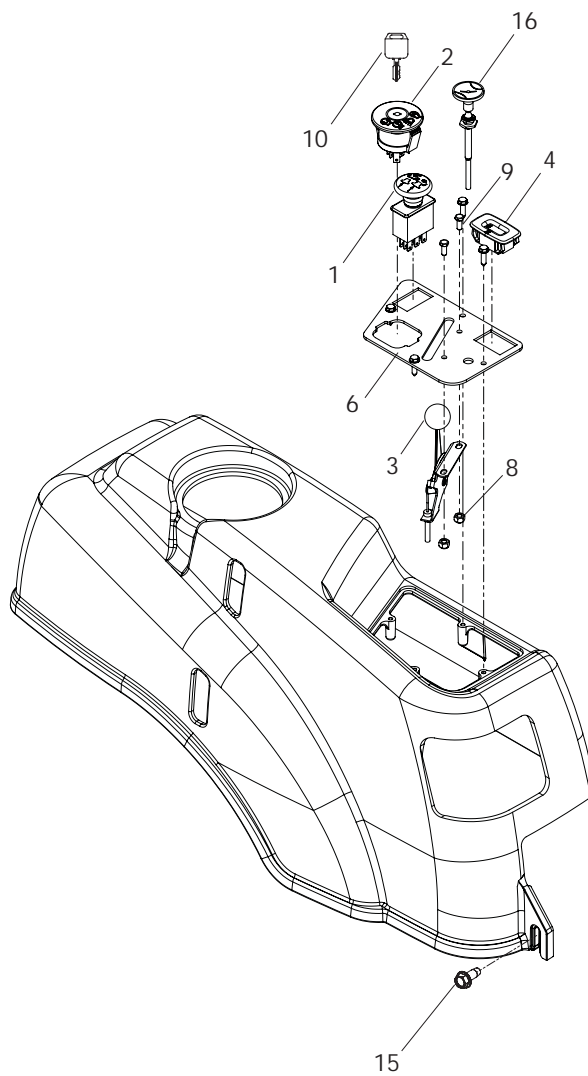
ITEM	PART NO.	QTY.	DESCRIPTION	ITEM	PART NO.	QTY.	DESCRIPTION
1..	539 1028272 SPACER	19..	539 1104771 SPRING, BRAKE LEVER
2..	539 1028282 BOLT, $\frac{5}{16}$ -18 x $\frac{5}{8}$, SKT HD	20..	539 1104781 CAP, BRAKE LEVER
3..	539 1035472 WASHER, $\frac{1}{4}$	21..	539 1106751 SPRING BRACKET
4..	539 1050692 RING-E, $\frac{5}{8}$	22..	539 1131212 MOTION BUSHING
5..	539 1081202 NUT, $\frac{1}{4}$ -20, THIN, NYLOC	23..	539 9161591 SPRING, TRANS
6..	539 1084602 BOLT, $\frac{5}{16}$ -18 x $1\frac{1}{4}$	24..	539 9769351 HCS, $\frac{5}{16}$ -18 x $1\frac{1}{2}$
7..	539 1087932 DAMPENER	25..	539 9769371 HCS, $\frac{5}{16}$ -18 x 2
8..	539 1100212 POST, RETURN	26..	539 9769782 NUT, $\frac{1}{4}$ -20, NYLOC
9..	539 1101421 SHAFT, MOTION	27..	539 9769882 PIN HAIR, .073 x $1\frac{7}{16}$
10..	539 1101451 MOTION CASTING	28..	539 9905851 NUT, $\frac{5}{16}$ -18, WHIZLK
11..	539 1102331 MOTION CONTROL ARM, LT	29..	539 9906922 WASHER, $\frac{5}{16}$
12..	539 1102361 MOTION CONTROL ARM, RT	30..	539 9907172 NUT, $\frac{5}{16}$ -18, NYLOC
13..	539 1104301 BUSHING	31..	539 9910342 SCRW, #10-24 x $\frac{5}{8}$, WSH HD
14..	539 1103401 NUT, $\frac{5}{8}$ -11, NYLOC	32..	539 9911122 NUT, $\frac{1}{4}$ -20, JAM
15..	539 1102681 BRAKE ROD, RT	33..	539 9906434 HCS, $\frac{1}{4}$ -20 x $\frac{7}{8}$
16..	539 1102691 BRAKE ROD, LT	34..	539 1103382 CONTROL LEVER
17..	539 1102821 BRAKE LEVER	35..	539 1103372 GRIP, CONTROL LEVER
18..	539 1103422 SPRING				

IGNITION SYSTEM

968999501



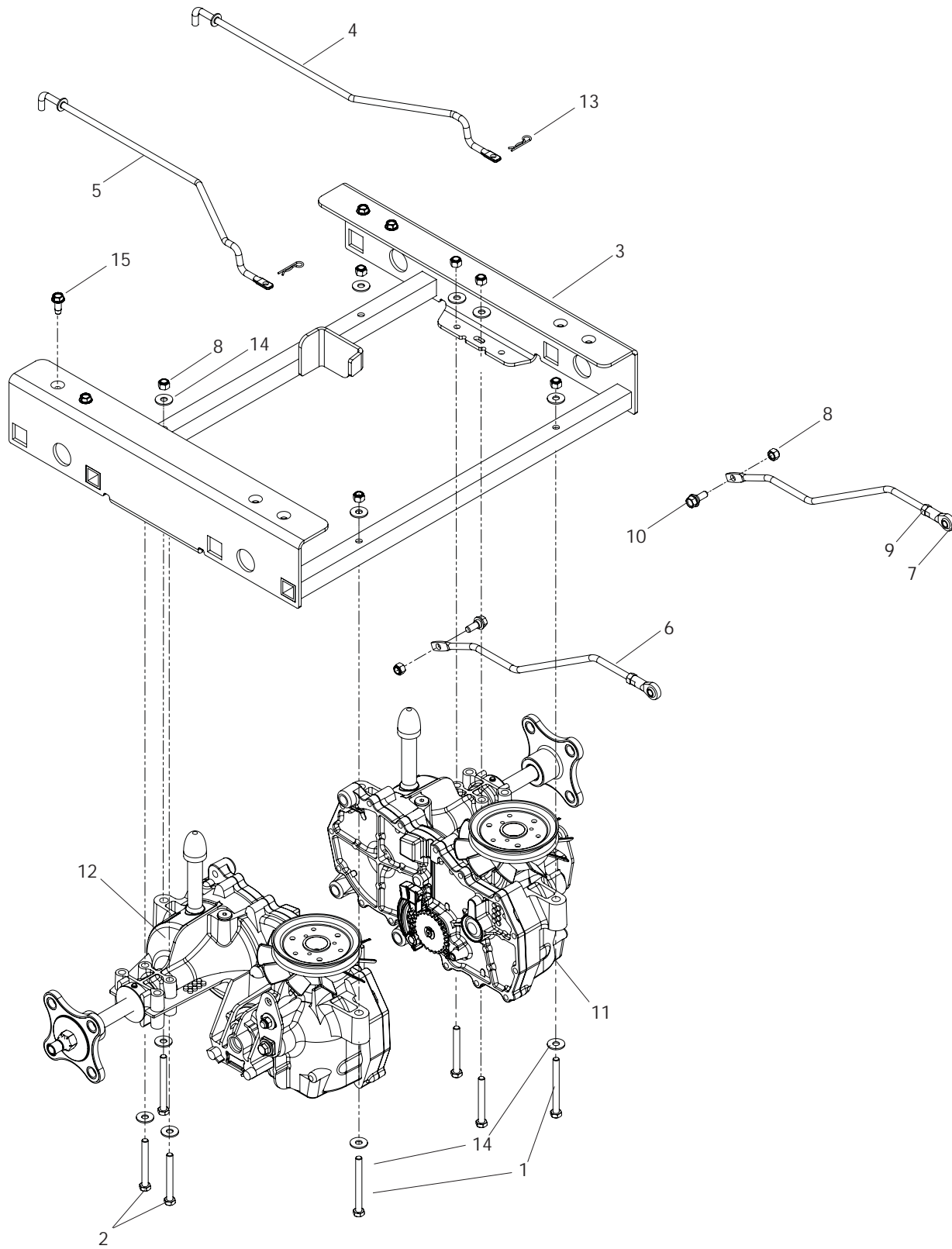
968999747



IGNITION SYSTEM

ITEM	PART NO.	QTY.	DESCRIPTION	ITEM	PART NO.	QTY.	DESCRIPTION
1..	539 101768....	1BLADE SWITCH	10..	539 107544....	1KEY
2..	539 107541....	1IGNITION SWITCH	11..	539 110456....	1HEADLIGHT REFLECTOR, LT
3..	539 107583....	1THROTTLE CABLE Model 568999501		539 110452....	1HEADLIGHT REFLECTOR, RT
	539 112734....	1THROTTLE CABLE Model 568999747	12..	539 110056....	1LENS, COLORED, LT
4..	539 110074....	1HOUR METER		539 110057....	1LENS, COLORED, RT
5..	539 130375....	1FENDER, CONSOLE	13..	539 110451....	1RIM, HEADLIGHT, RT
6..	539 110305....	1CONSOLE PLATE Model 568999501		539 110455....	1RIM, HEADLIGHT, LT
	539 112735....	1CONSOLE PLATE Model 568999747	14..	539 130374....	1FENDER, LT
7..	539 110673....	4SCRW, #10-12 x 3/4, WASH HD	15..	539 990362..	10SCREW, 1/4-20 x 5/8, SLF TAP
8..	539 976977....	2NUT, #10-24, NYLOC	16..	539 130209....	1CHOKE CONTROL Model 568999747
9..	539 990411....	2SCREW, #10-24 x 1/2		NOT SHOWN		
					539 110471....	1HEADLIGHT HARNESS

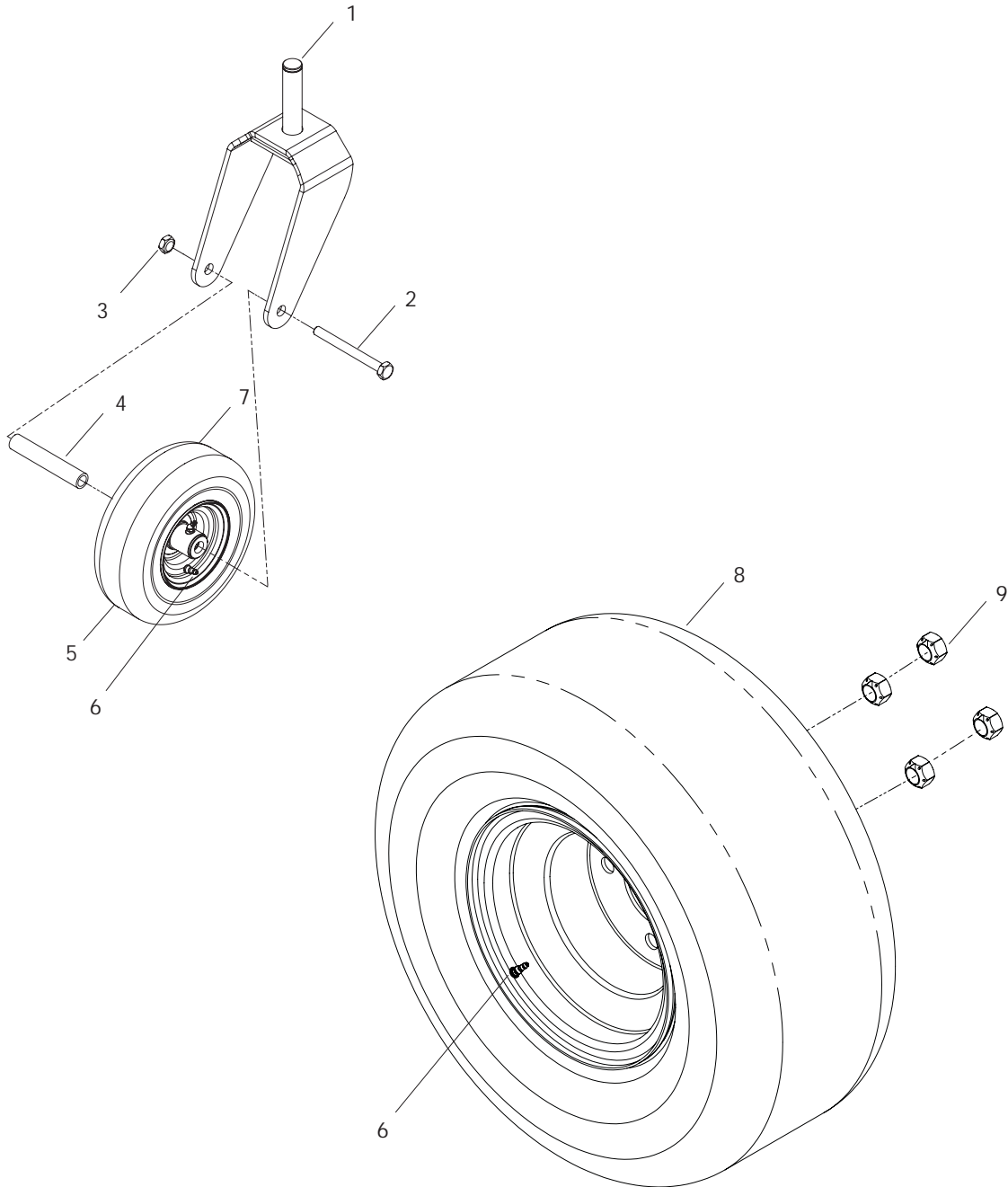
HYDRAULIC PUMP-MOTOR



HYDRAULIC PUMP-MOTOR

ITEM	PART NO.	QTY.	DESCRIPTION	ITEM	PART NO.	QTY.	DESCRIPTION
1..	539 101520....4	HCS, $\frac{5}{16}$ -18 x $3\frac{1}{4}$	9..	539 990223....1	NUT, $\frac{5}{16}$ -24
2..	539 101721....4	HCS, $\frac{5}{16}$ -18 x $2\frac{3}{4}$	10..	539 110303....2	BOLT, SHOULDER, $\frac{5}{16}$
3..	539 110016....1	SUB FRAME	11..	539 110486....1	EZT, LT
4..	539 110270....1	BYPASS LINKAGE, LT	12..	539 110487....1	EZT, RT
5..	539 110271....1	BYPASS LINKAGE, RIT	13..	539 976988....2	PIN HAIR, .073 x $1\frac{7}{16}$
6..	539 110273....2	MOTION CNTRL ROD ASSM	14..	539 990692..16	WASHER, $\frac{5}{16}$
7..	539 102590....1	END BALL, RT	15..	593 990369....4	SCREW, $\frac{5}{16}$ -18 x 1 THD CUT
8..	539 990717....6	NUT, $\frac{5}{16}$ -18, NYLOC				

WHEELS AND TIRES

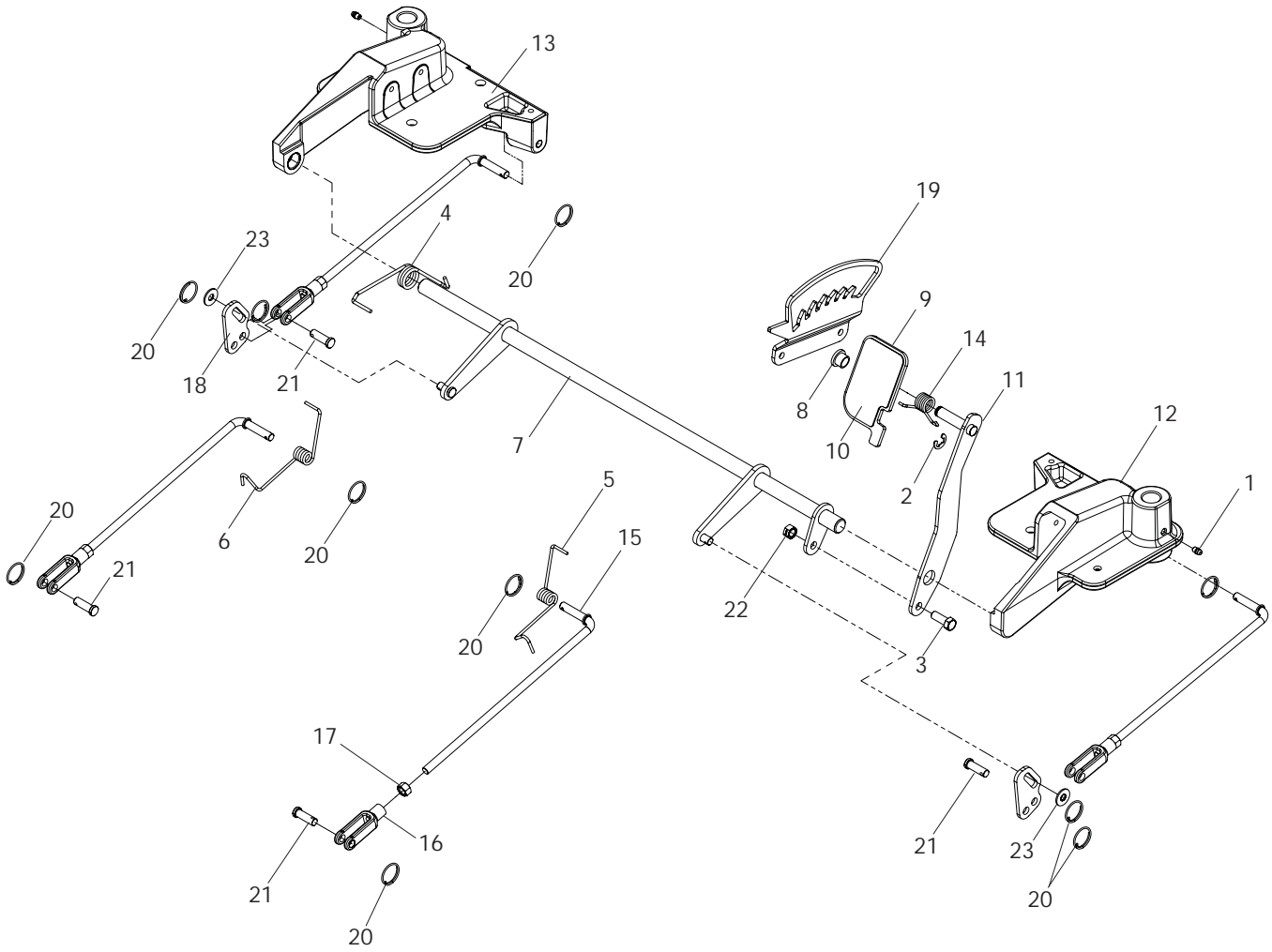


WHEELS AND TIRES

ITEM	PART NO.	QTY.	DESCRIPTION
1..	539 107494....	2	CASTER
2..	539 101907....	2	HCS, ½-13 x 5½
3..	539 101331....	2	NUT, ½-13, NYLOC
4..	539 105543....	2	SPACER
5..	539 110333....	2	CASTER WHEEL ASSM

ITEM	PART NO.	QTY.	DESCRIPTION
6..	539 912234....	4	VALVE STEM
7..	539 106995....	2	TIRE 11 x 3.5-5
8..	539 110253....	2	RR WHEEL ASSM 18 x 8.5-8
9..	539 101173....	8	LUG NUT

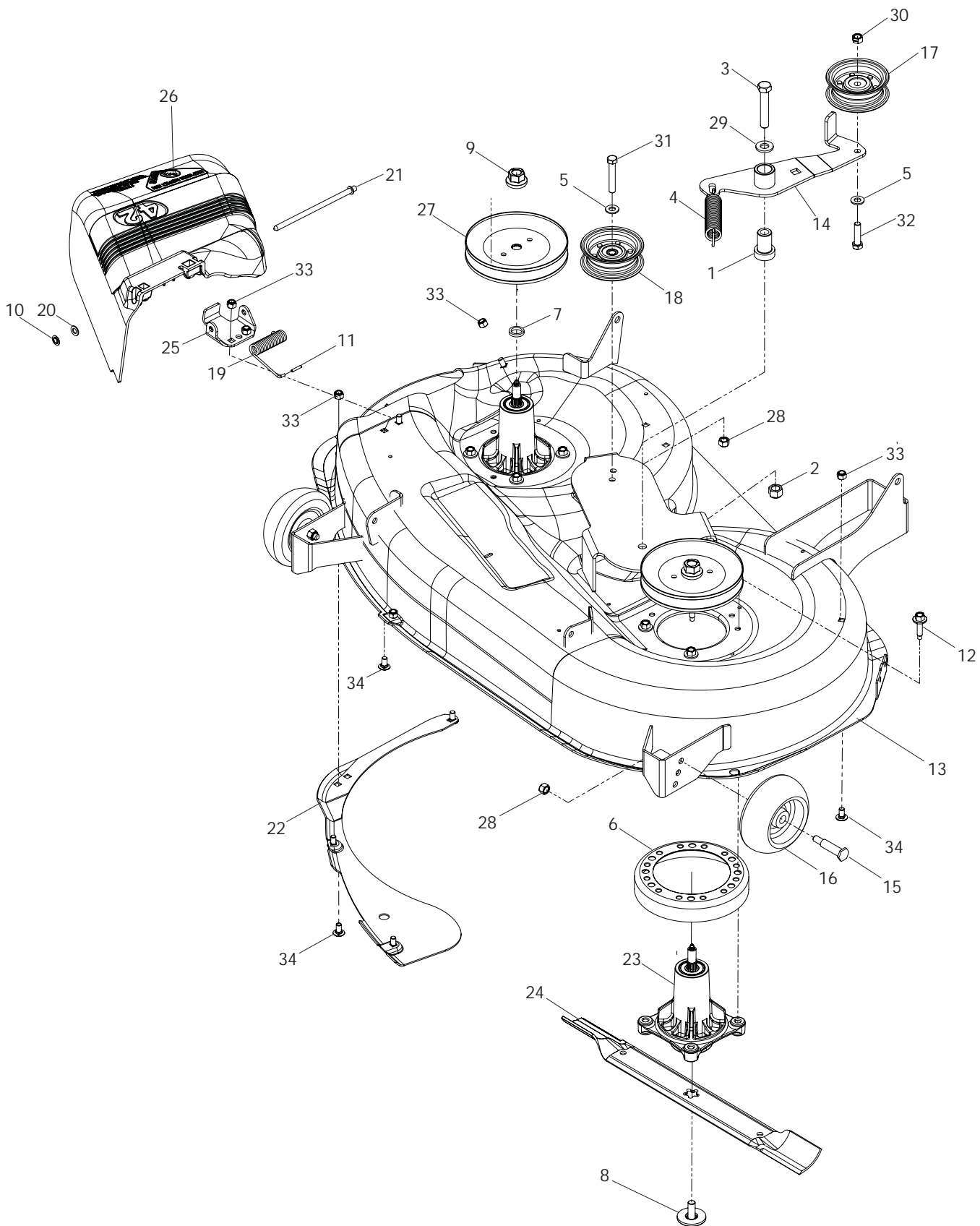
DECK LIFT



DECK LIFT

ITEM	PART NO.	QTY.	DESCRIPTION	ITEM	PART NO.	QTY.	DESCRIPTION
1..	539 101474....	2	ZERK	13..	539 110288....	1	CASTER CASTING, LEFT
2..	539 101949....	1	RING-E, 1/2	14..	539 110295....	1	SPRING, PEDAL, LIFT
3..	539 106791....	1	HCS, 3/8-16 x 1, GR8	15..	539 110306....	1	DECK LIFT ROD
4..	539 110071....	1	TORSION SPRING	16..	539 977465....	1	YOKE, 3/8-24
5..	539 110160....	1	SPRING, DECK ROD, RIGHT	17..	539 990155....	1	NUT, 3/8-24, GR2
6..	539 110161....	1	SPRING, DECK ROD, LEFT	18..	539 113239....	2	CONNECTOR, DECK LIFT
7..	539 110205....	1	DECK LIFT	19..	539 113931....	1	HEIGHT PLATE, DECK
8..	539 100032....	2	BUSHING, NYLON	20..	539 916459..	10	RING-RETAINING
9..	539 110292....	1	FOOT PEDAL	21..	539 977703....	4	PIN CLEVIS, 3/8 x 1 1/8
10..	539 110308....	1	FOOT PAD, NON-SLIP	22..	539 990546....	1	NUT, 3/8-16, CENTERLOCK
11..	539 110266....	1	LIFT FOOT LEVER	23..	539 990692....	2	WASHER, 5/16
12..	539 110287....	1	CASTER CASTING, RIGHT				

42" CUTTING DECK

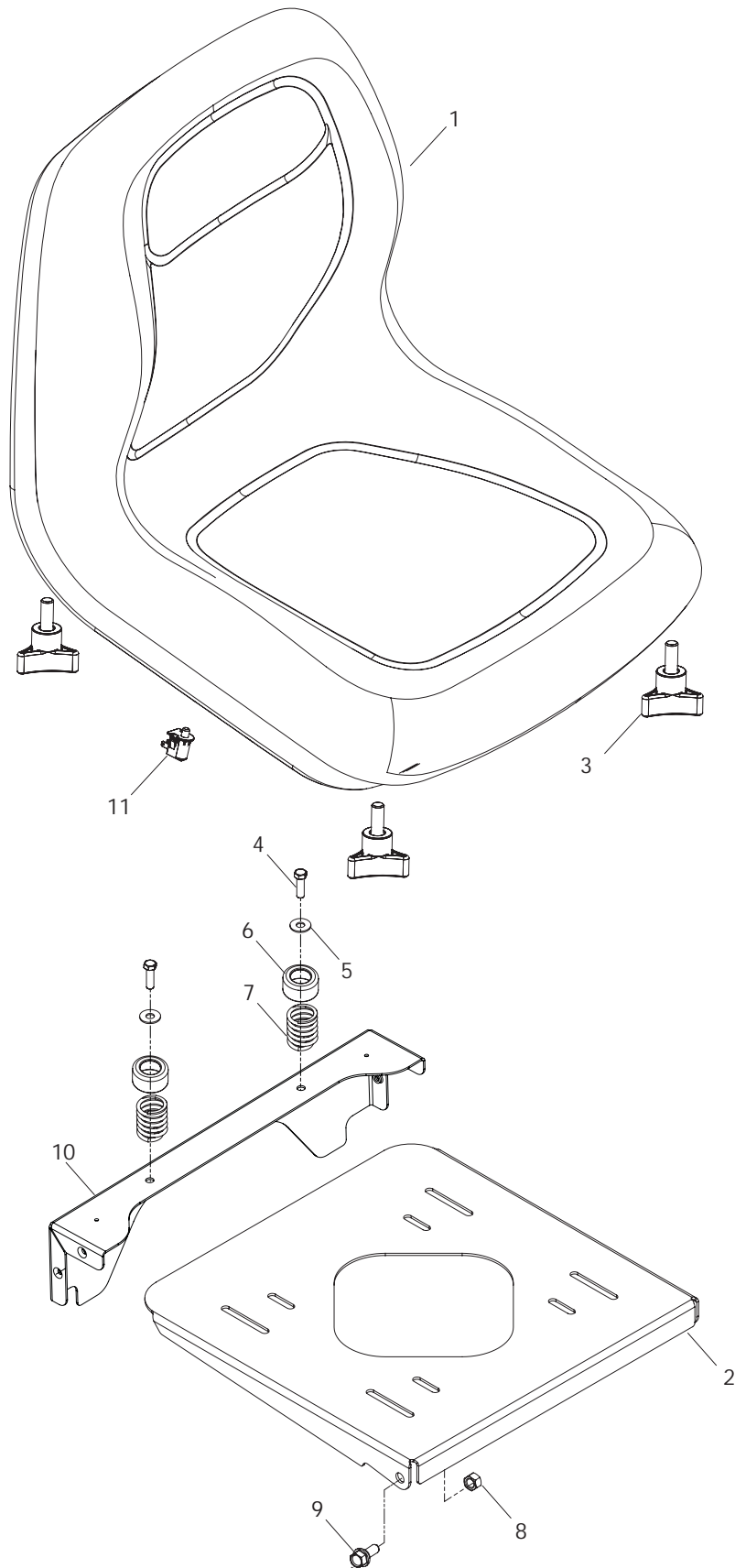


42" CUTTING DECK

ITEM	PART NO.	QTY.	DESCRIPTION	ITEM	PART NO.	QTY.	DESCRIPTION
1..	539 101231....	1 SPINDLE-IDLER	19..	539 110328....	1 SPRING, TORSION
2..	539 101331....	1 NUT, 1/2-13, NYLOC	20..	539 110331....	1 WASHER, 11/32
3..	539 101332....	1 HCS, 1/2-13 x 2 3/4	21..	539 110462....	1 ROD, HINGE
4..	539 101977....	1 SPRING-TRAC	22..	539 110463....	1 BAFFLE
5..	539 990122....	2 WASHER, 3/8, SAE	23..	539 112057....	2 MANDREL
6..	539 107518....	2 STRIPPER, ROUND	24..	539 110460....	2 BLADE
7..	539 107520....	2 WASHER, .675	25..	532 192557....	1 BRACKET, DEFLECTOR
8..	532 193003....	2 BOLT ASSM	26..	532 193108....	1 DEFLECTOR
9..	539 107590....	2 NUT, 9/16, CENTERLOCK	27..	532 195945....	2 PULLEY, MANDREL
10..	539 107626....	1 NUT, 5/16, PUSH	28..	539 976979....	3 NUT, 3/8-16, NYLOC
11..	539 107627....	1 CAP-SLEEVE	29..	539 990250....	1 WASHER, 1/2
12..	539 107630....	8 SCRW, 5/16-18 x 1 3/8, WSH HD	30..	539 990546....	1 NUT, 3/8-16, CENTERLOCK
13..	539 110528....	1 DECK W/DECALS	31..	539 990629....	1 HCS, 3/8-16 x 2 1/4
14..	539 110217....	1 IDLER ARM	32..	539 990655....	1 HCS, 3/8-16 x 1 1/2
15..	539 110222....	2 BOLT, SHOULDER	33..	539 990717....	7 NUT, 5/16-18, NYLOC
16..	539 110289....	2 WHEEL, GAUGE	34..	539 990799....	7 RHSNB, 5/16-18 x 5/8
17..	539 110316....	1 PULLEY, IDLER, SHORT	35..	NOT SHOWN		
18..	539 110317....	1 IDLER PULLEY		539 102548....	1 BELT

SEAT

For Units With Serial Number Before 0806xxxxx



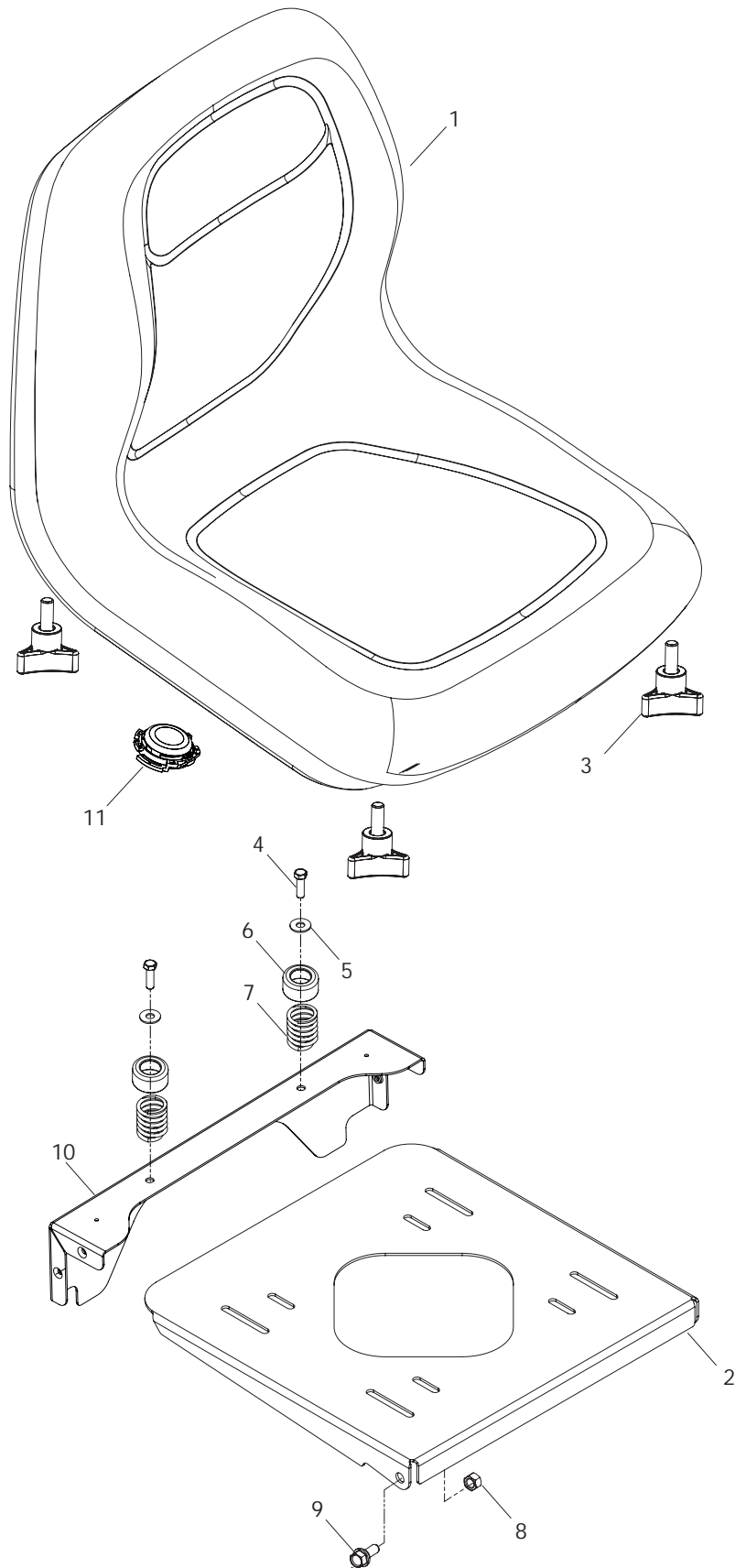
SEAT

For Units With Serial Number Before 0806xxxxx

ITEM	PART NO.	QTY.	DESCRIPTION	ITEM	PART NO.	QTY.	DESCRIPTION
1..	539 1126991	SEAT	7..	539 1103002	SPRING, SEAT
2..	539 1126941	SEAT MOUNT	8..	539 9907172	NUT, ⁵ / ₁₆ -18, NYLOC
3..	539 1044114	KNOB W/STUD	9..	539 9769412	HCS, ³ / ₈ -16 x 1 ¹ / ₄
4..	539 1103032	BOLT, ⁵ / ₁₆ , SHOULDER	10..	539 1101261	REAR SEAT SUPPORT
5..	539 9905172	WASHER, ³ / ₈	11..	539 1075231	SWITCH, SEAT
6..	539 1103012	CAP, SPRING COVER				

SEAT

For Units With Serial Number After 0806xxxxx

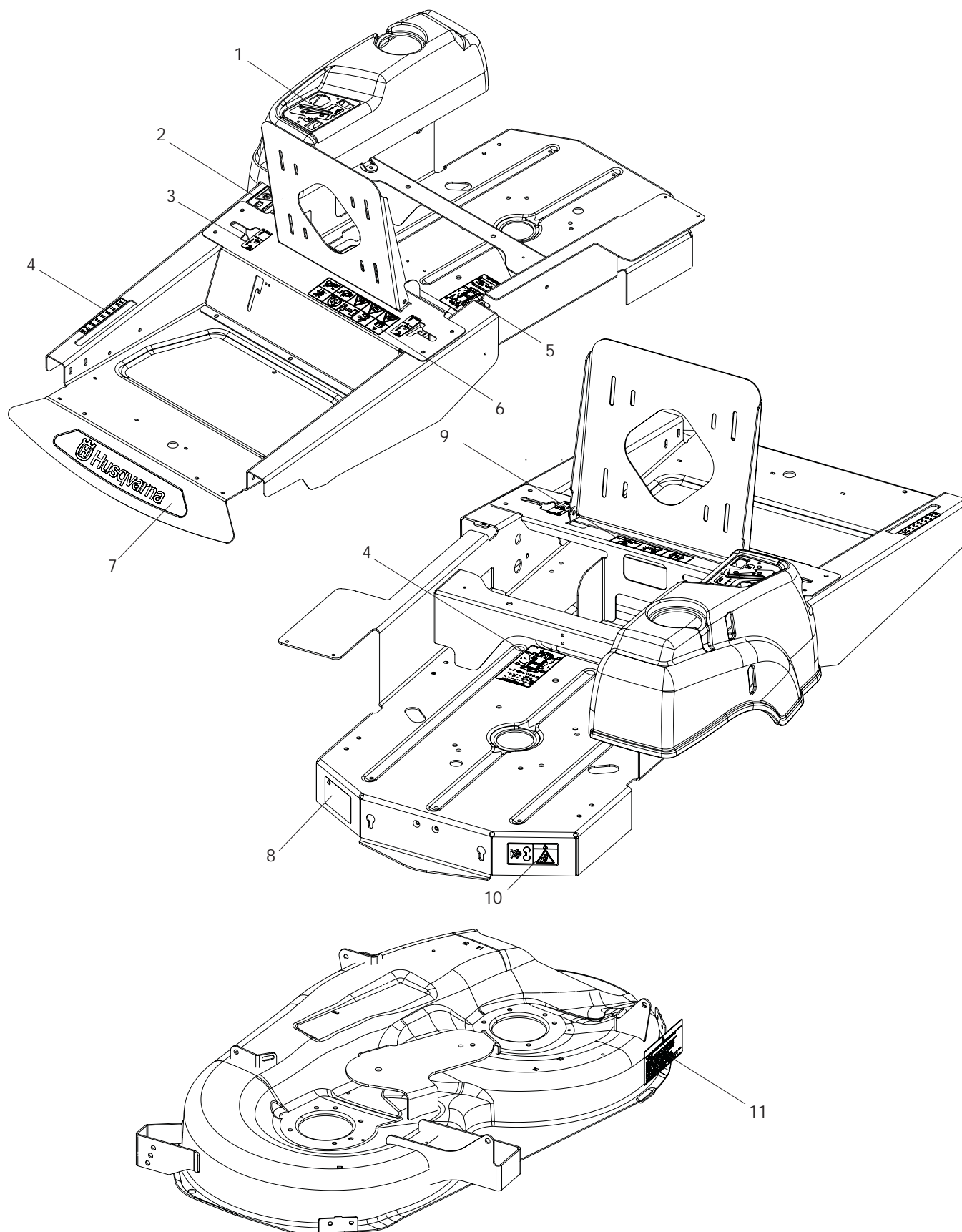


SEAT

For Units With Serial Number After 0806xxxxx

ITEM	PART NO.	QTY.	DESCRIPTION	ITEM	PART NO.	QTY.	DESCRIPTION
1..	539 130826....	1	SEAT	7..	539 110300.....	2	SPRING, SEAT
2..	539 112694....	1	SEAT MOUNT	8..	539 990717.....	2	NUT, ⁵ / ₁₆ -18, NYLOC
3..	539 104411....	4	KNOB W/STUD	9..	539 976941.....	2	HCS, ³ / ₈ -16 x 1 ¹ / ₄
4..	539 110303....	2	BOLT, ⁵ / ₁₆ , SHOULDER	10..	538 110126....	1	REAR SEAT SUPPORT
5..	539 990517....	2	WASHER, ³ / ₈	11..	539 132140....	1	SWITCH, SEAT
6..	539 110301....	2	CAP, SPRING COVER				

DECALS



DECALS

ITEM	PART NO.	QTY.	DESCRIPTION
1..	539 1100771	DECAL, IGNITION CONSOLE Model 968999504
	539 1127401	DECAL, IGNITION CONSOLE Model 968999747
2..	539 1083861	DECAL, EXIT MOWER
3..	539 1139801	DECAL, HEIGHT, CE
4..	539 1098982	DECAL, MOTION CONTROL
5..	539 1098971	DECAL, SERVICE
6..	539 1079591	DECAL, WARNING
7..	539 1110471	DECAL, HUSQVARNA

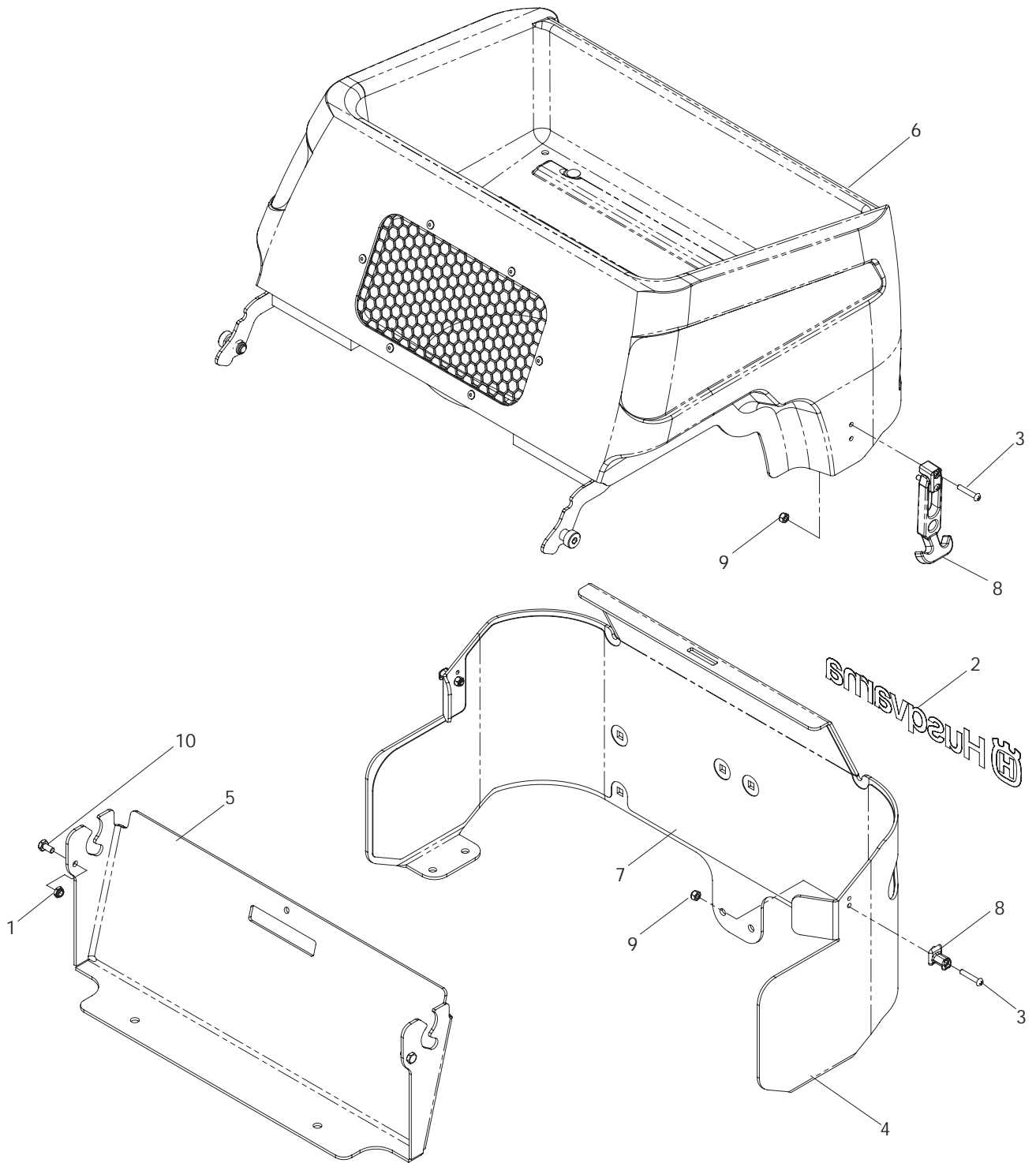
ITEM	PART NO.	QTY.	DESCRIPTION
8..	539 1083851	DECAL, DO NOT TOW
9..	539 1057451	DECAL, BATTERY WARNING
10..	539 1057441	DECAL, DANGER BELT
11..	539 1302451	DECAL, DISCHARGE

NOT SHOWN

539 1327041	DECAL, Z16, LH
539 1327031	DECAL, Z16, RH
539 1139921	DECAL, Z18, LH
539 1139931	DECAL, Z18, RH

GUARDS

CE Assembly



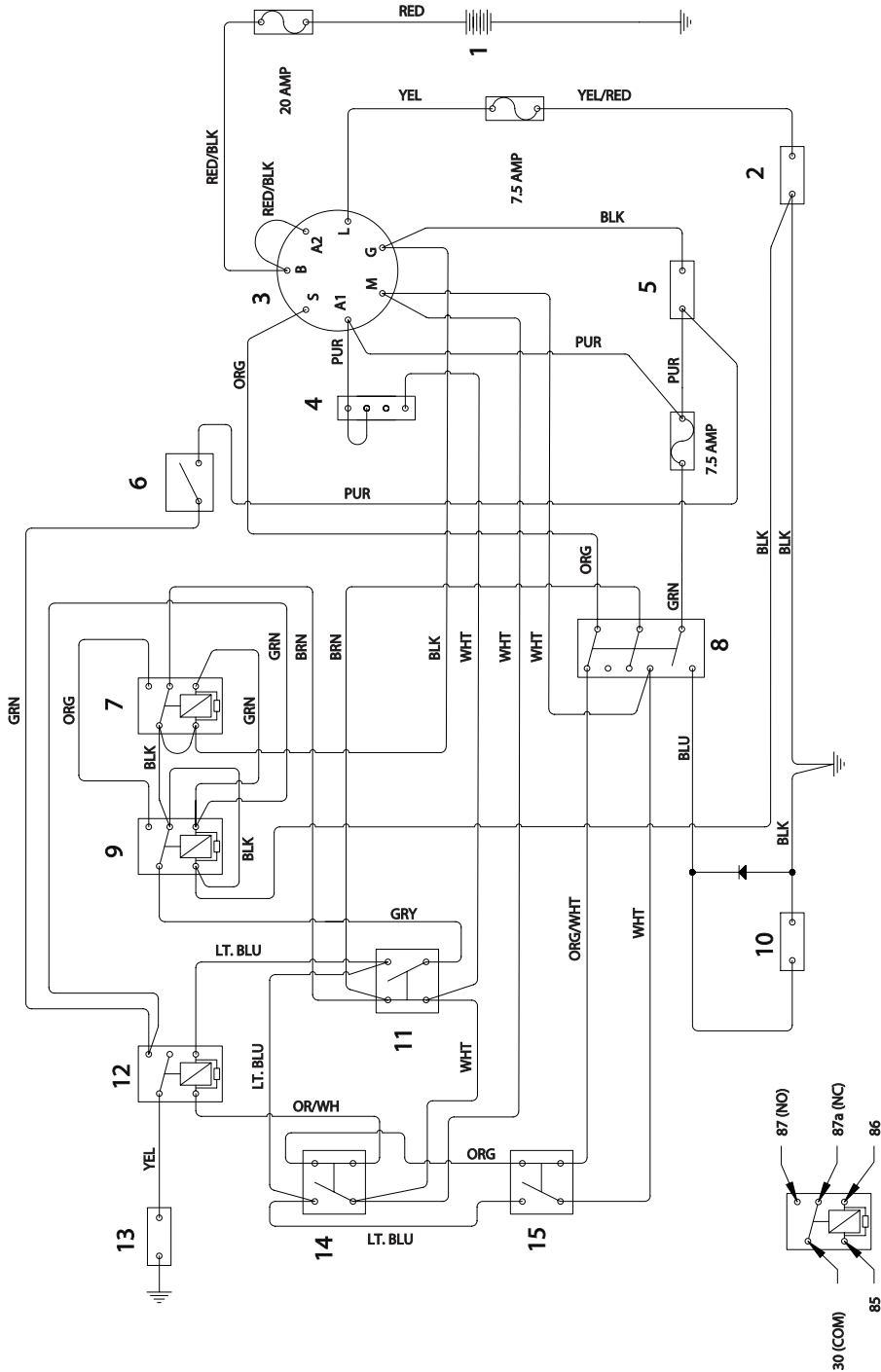
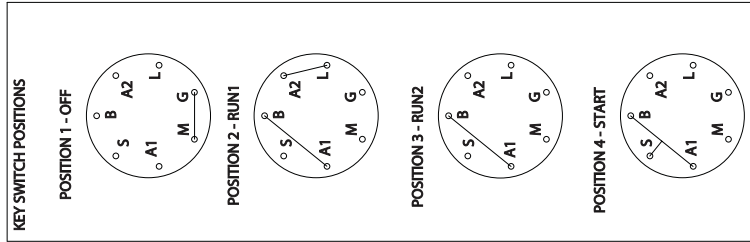
GUARDS

CE Assembly

ITEM	PART NO.	QTY.	DESCRIPTION	ITEM	PART NO.	QTY.	DESCRIPTION
1..	539 108120....	2	NUT, 1/4-20, THIN, NYLOC	5..	539 113599....	1	FRONT SUPPORT
2..	539 111047	1	DECAL, HUSQVARNA	6..	539 113604....	1	HOOD ASSEMBLY
3..	539 111186	6	SCREW, #10-24 x 1 1/8	7..	539 113970....	1	BARRIER, HEAT
4..	539 113597	1	REAR GUARD Model 968999504	8..	539 200478....	2	DRAW LATCH
	539 132893....	1	REAR GUARD Model 968999747	9..	539 976977....	6	NUT, #10-24, NYLOC
				10..	539 990071....	2	HCS, 1/4-20 x 1/2

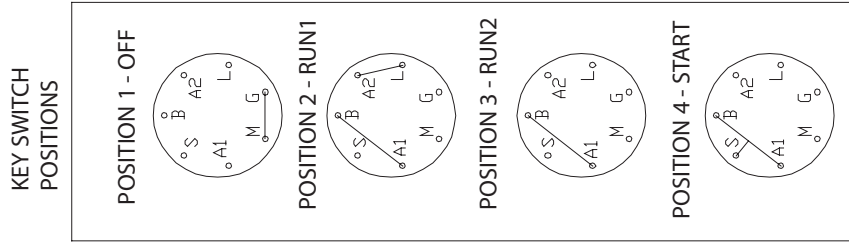
SCHEMATIC

For Units With Serial Number Before 0806xxxxx



SCHEMATIC

For Units With Serial Number After 0806xxxxx



- NOTE:**
1. SEAT UNOCCUPIED
 2. BRAKE SWITCH IN OFF POSITION
 3. MOTION CONTROL LEVERS OUT
 4. PTO IN OFF POSITION

